

Singer 114-55

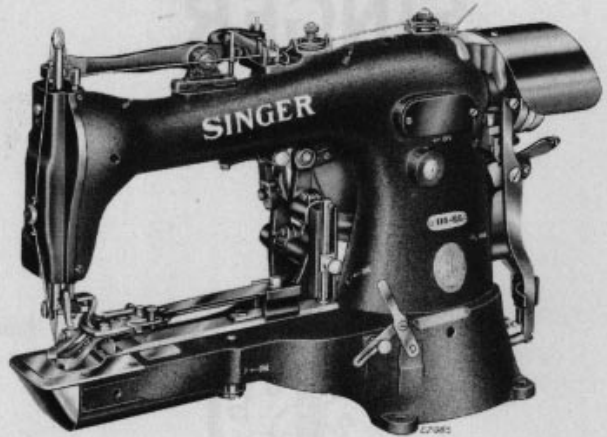
Form 20491
(1251)
Printed in U.S.A.

SINGER**



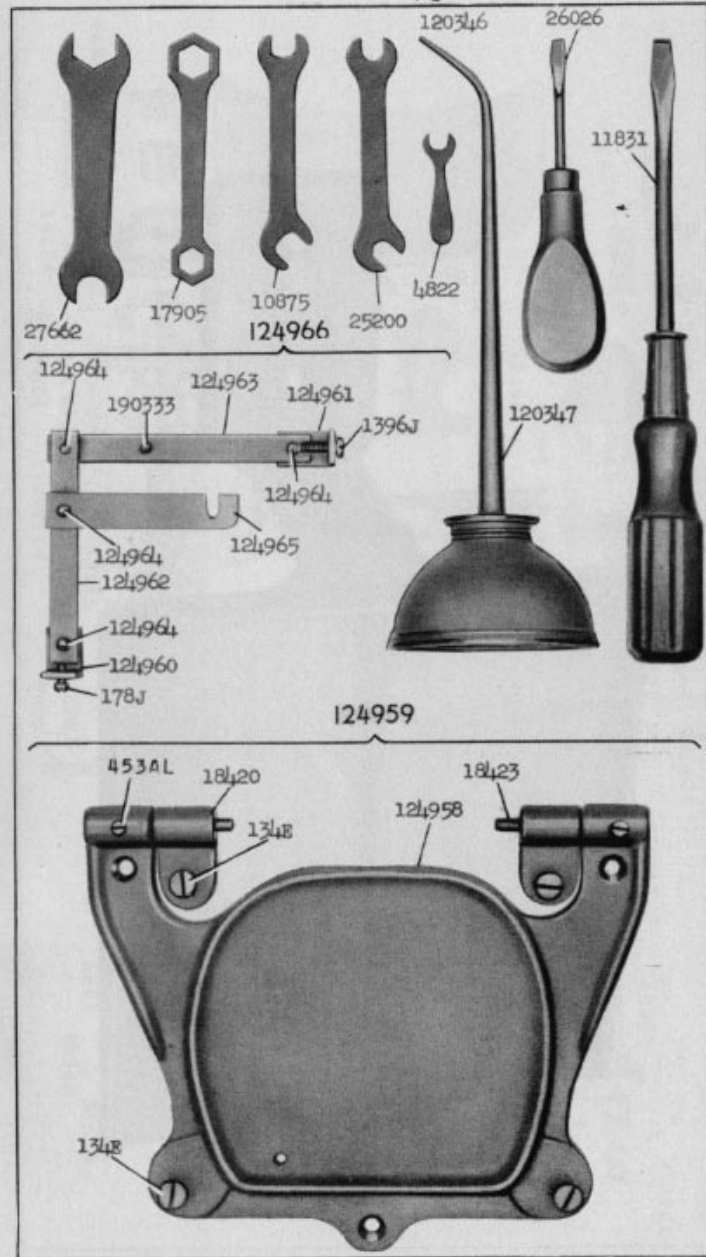
MACHINE No. 114-55

**** A TRADE MARK OF
THE SINGER MANUFACTURING COMPANY**



Copyright, U. S. A., 1940 and 1952 by
 The Singer Manufacturing Company
 All Rights Reserved for All Countries

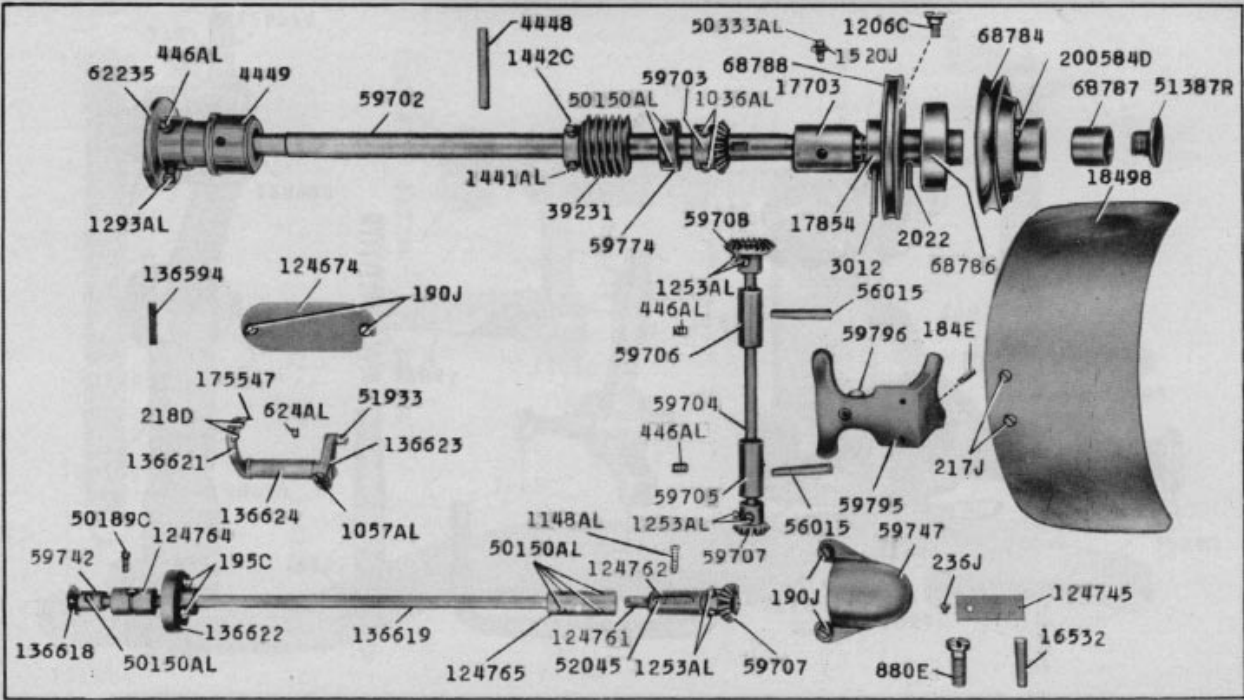
23157 - 1/3



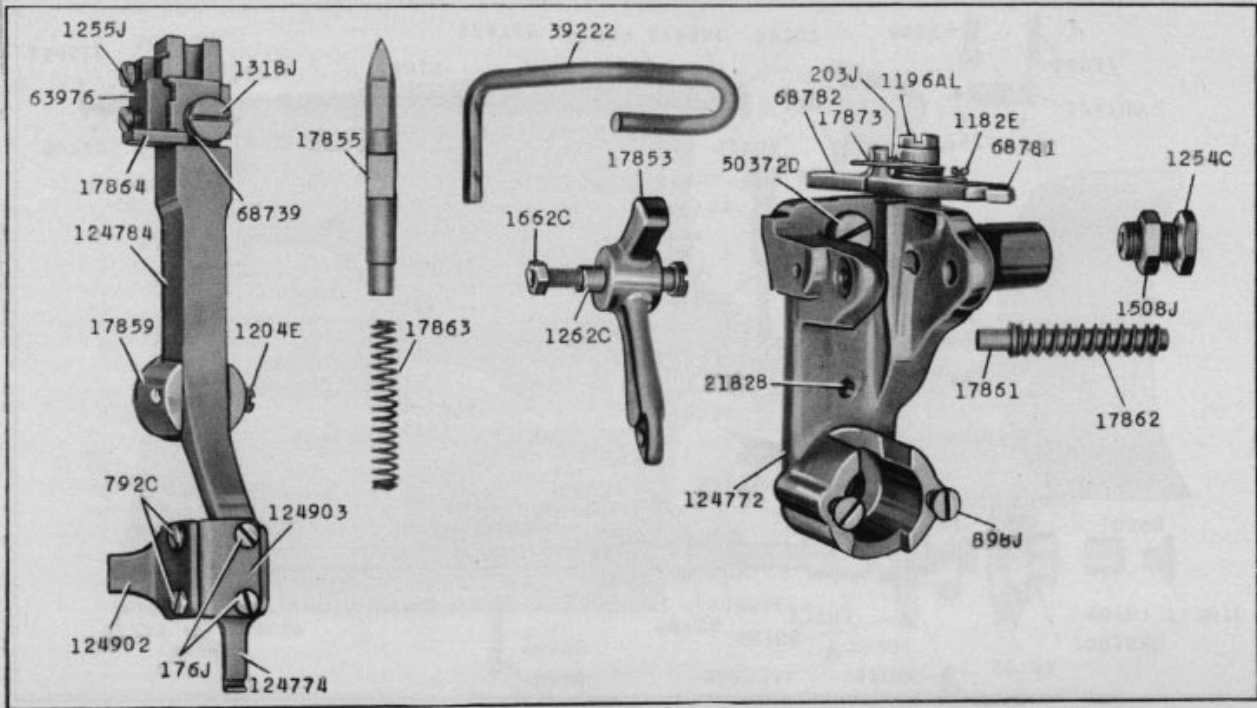
23174 - 1/2

59797



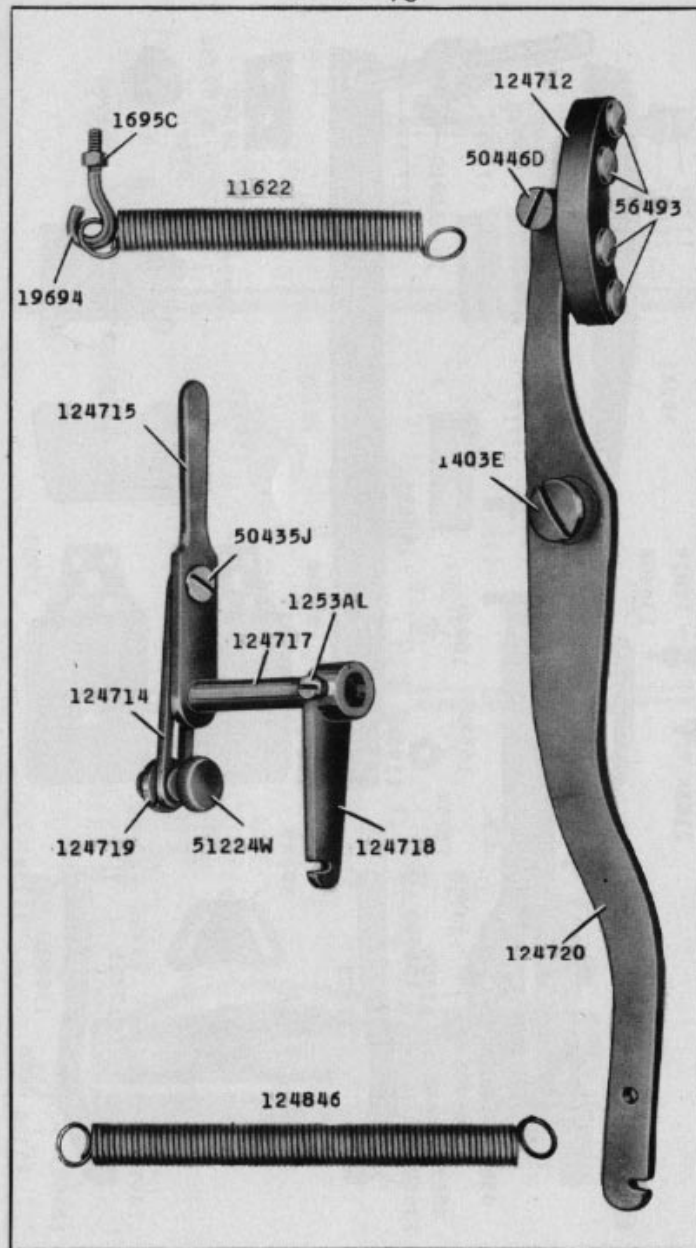


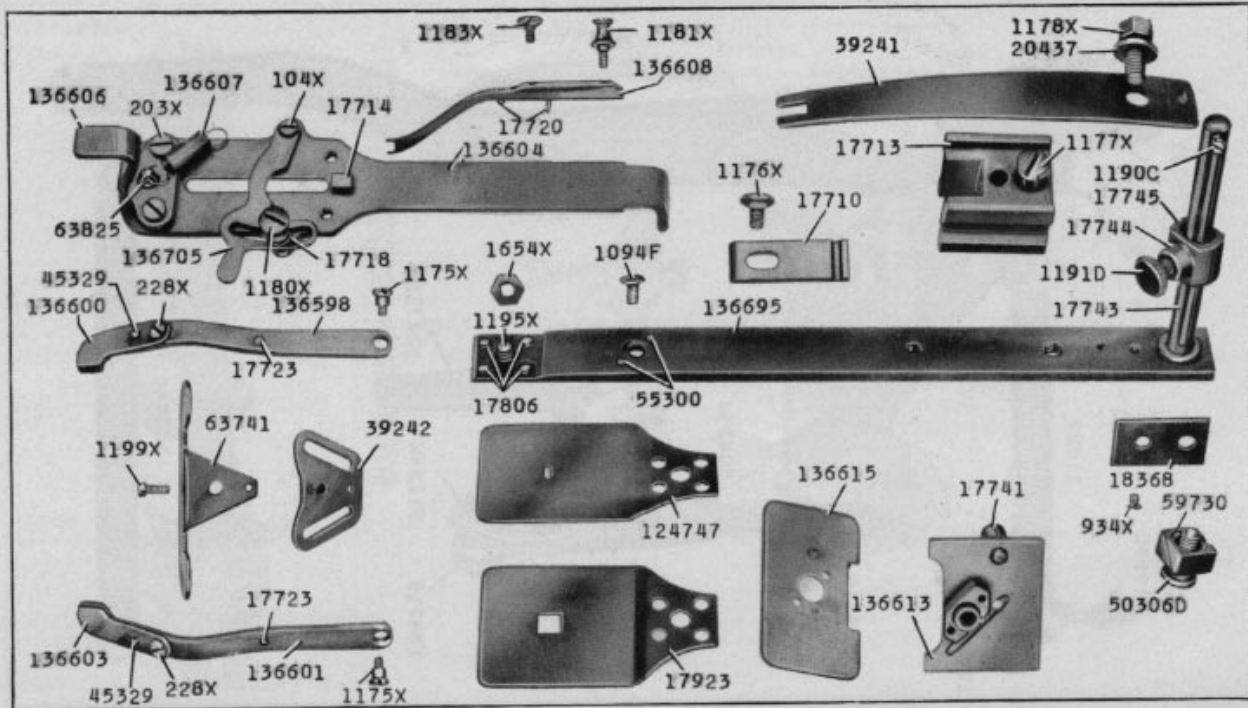
23193-1/4



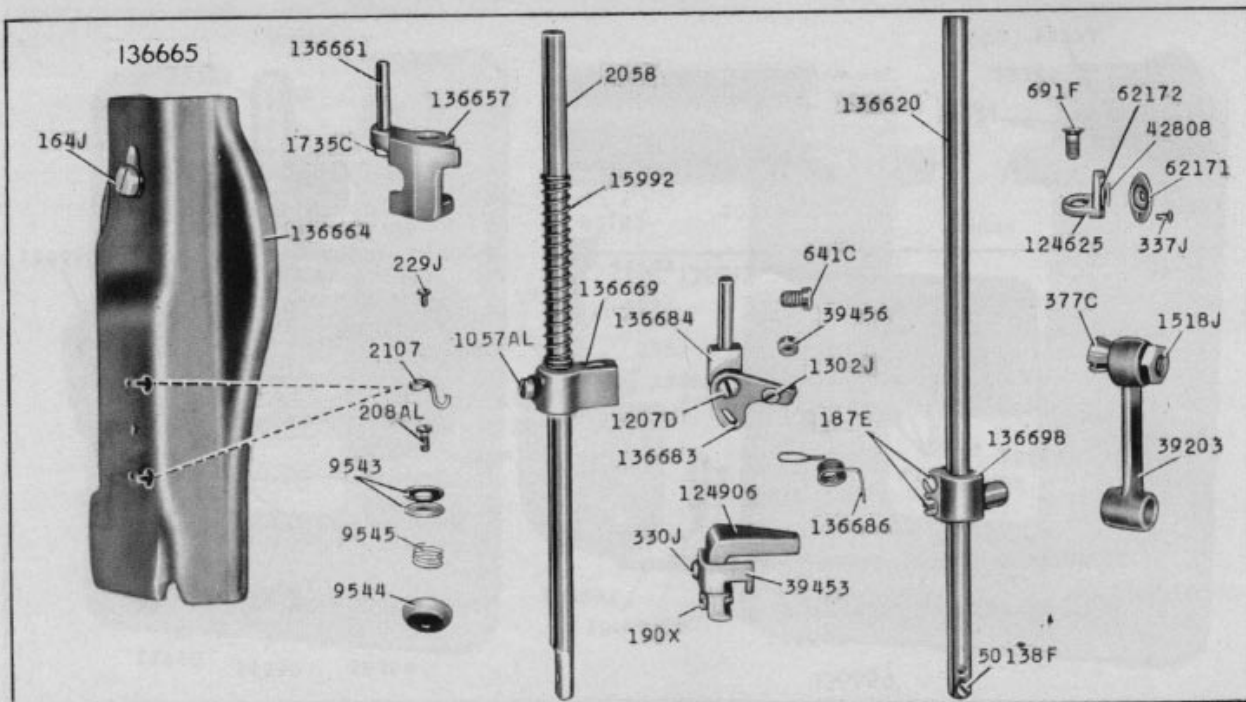
23195-2/3

23196-2/3

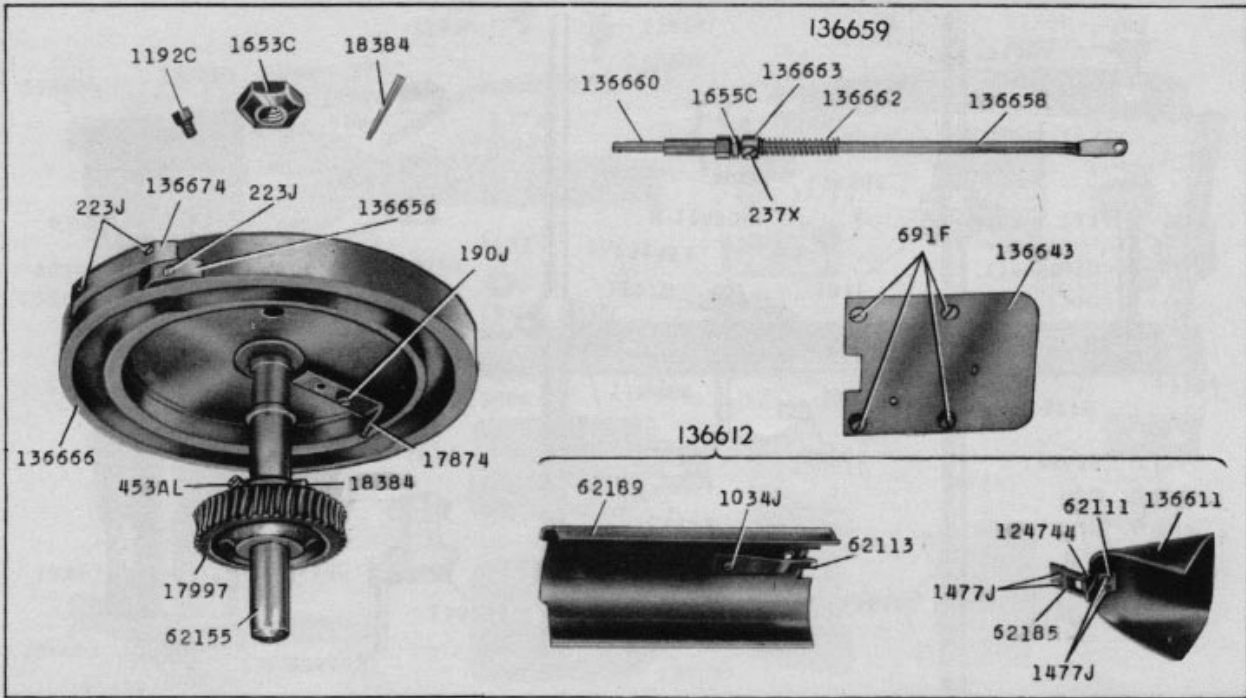




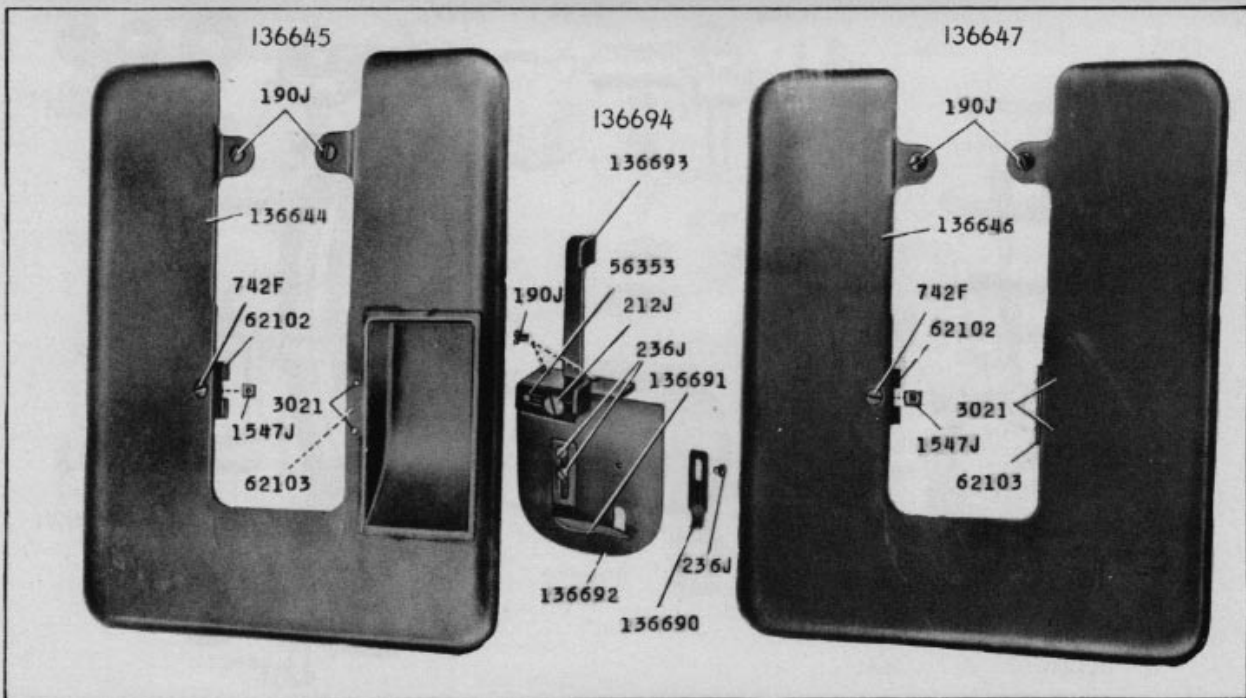
23197-1/2



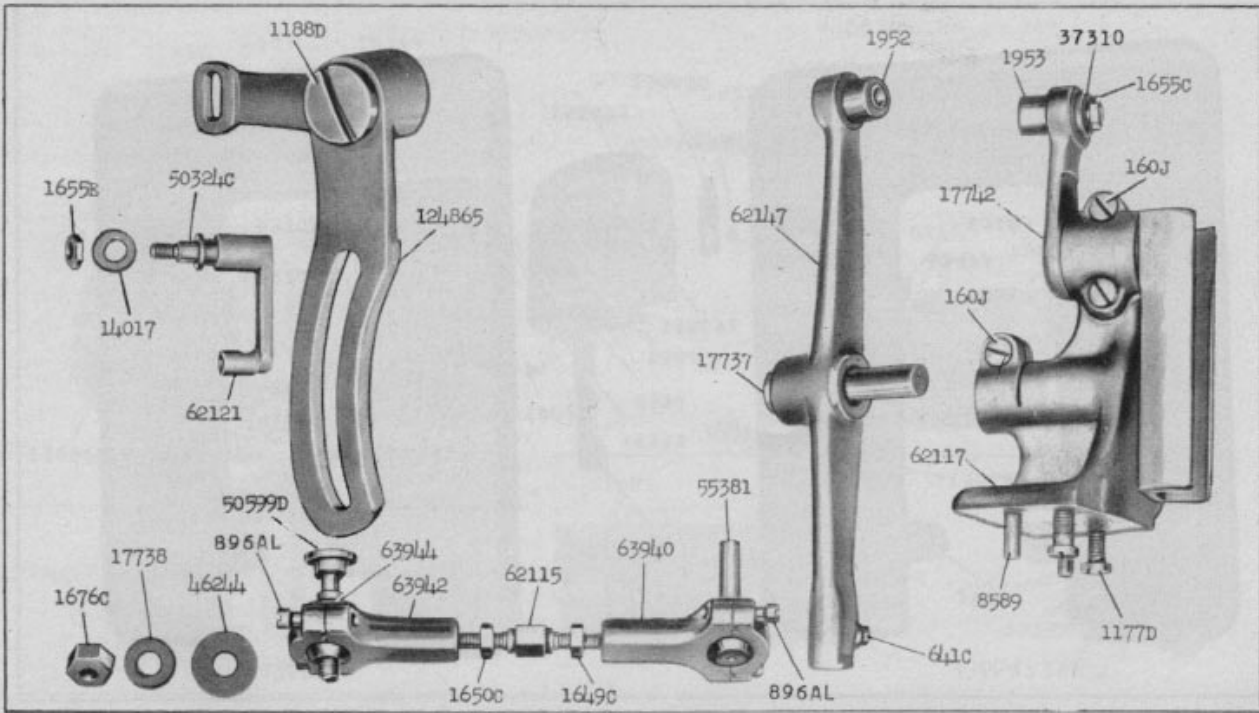
23198-1/2



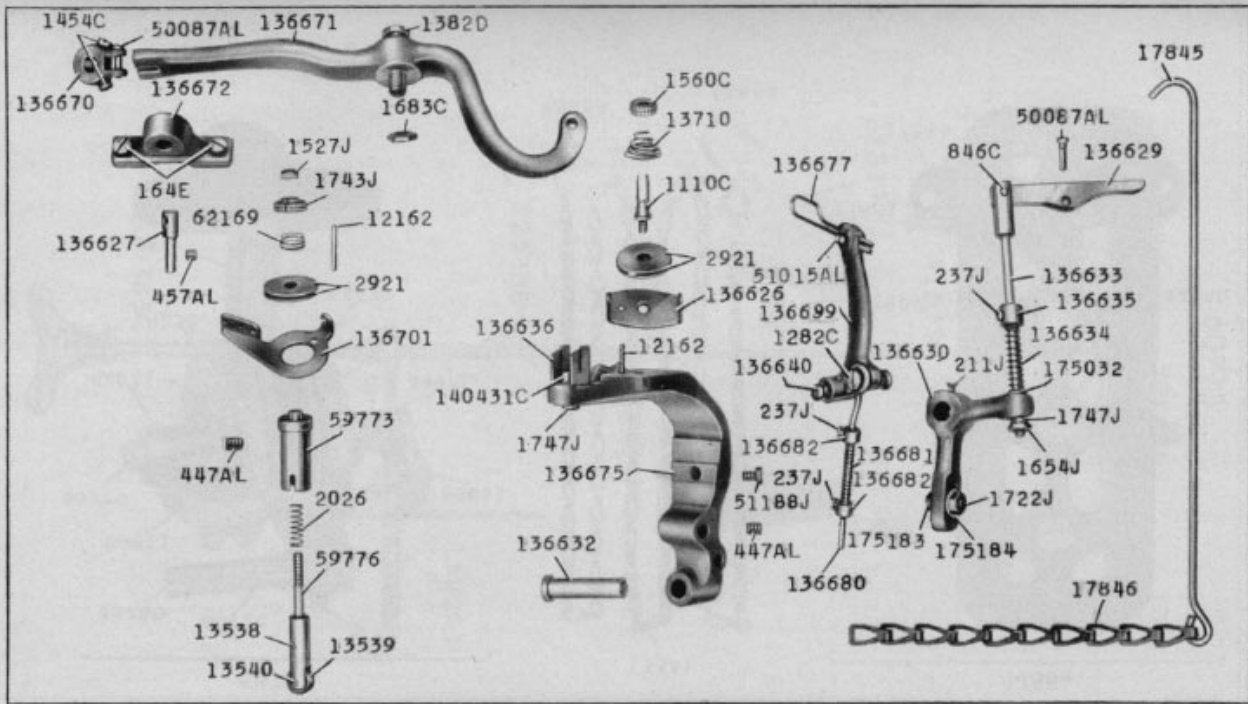
23199-1/3



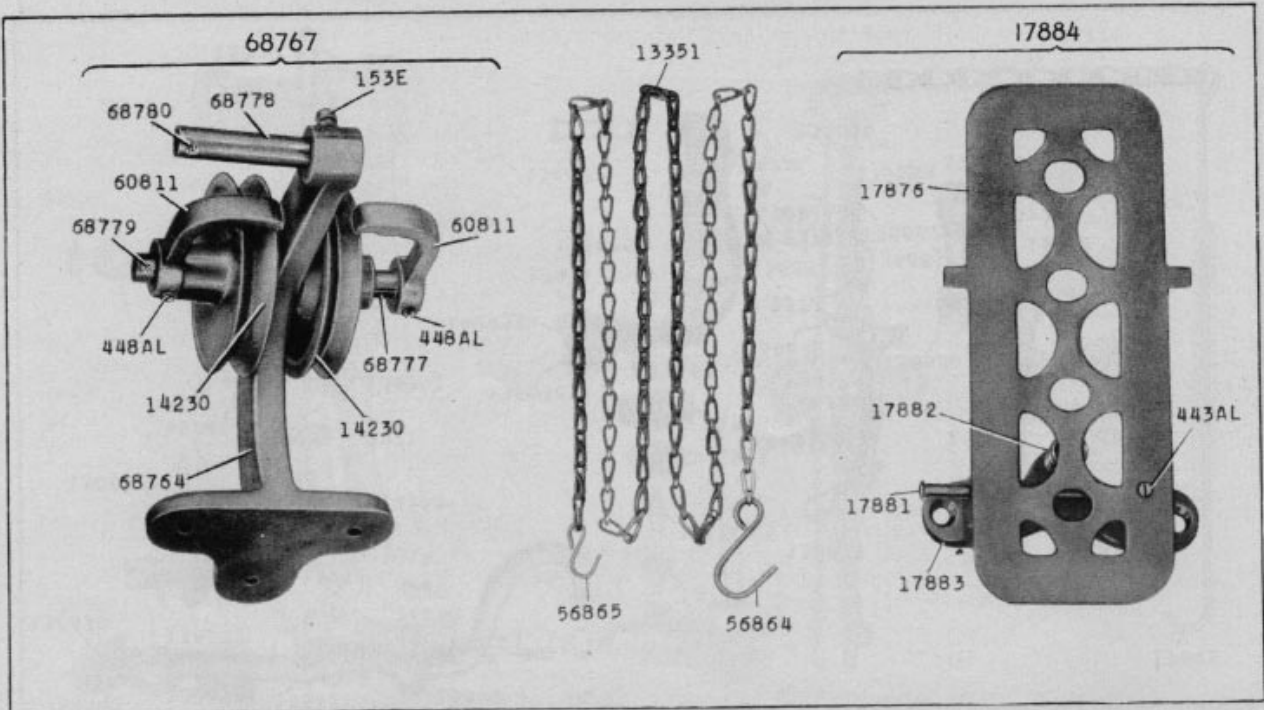
25261-1/3



25262-1/2



25263-1/3



25264-1/3

25265 - 1/4

