

SINGER
145W103

Form 2915w

(148)

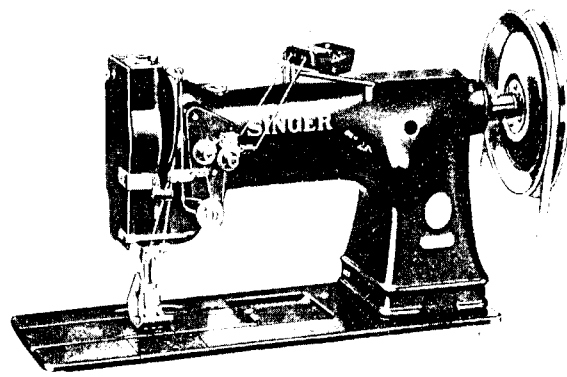
Printed in U. S. A.

SINGER

145w103

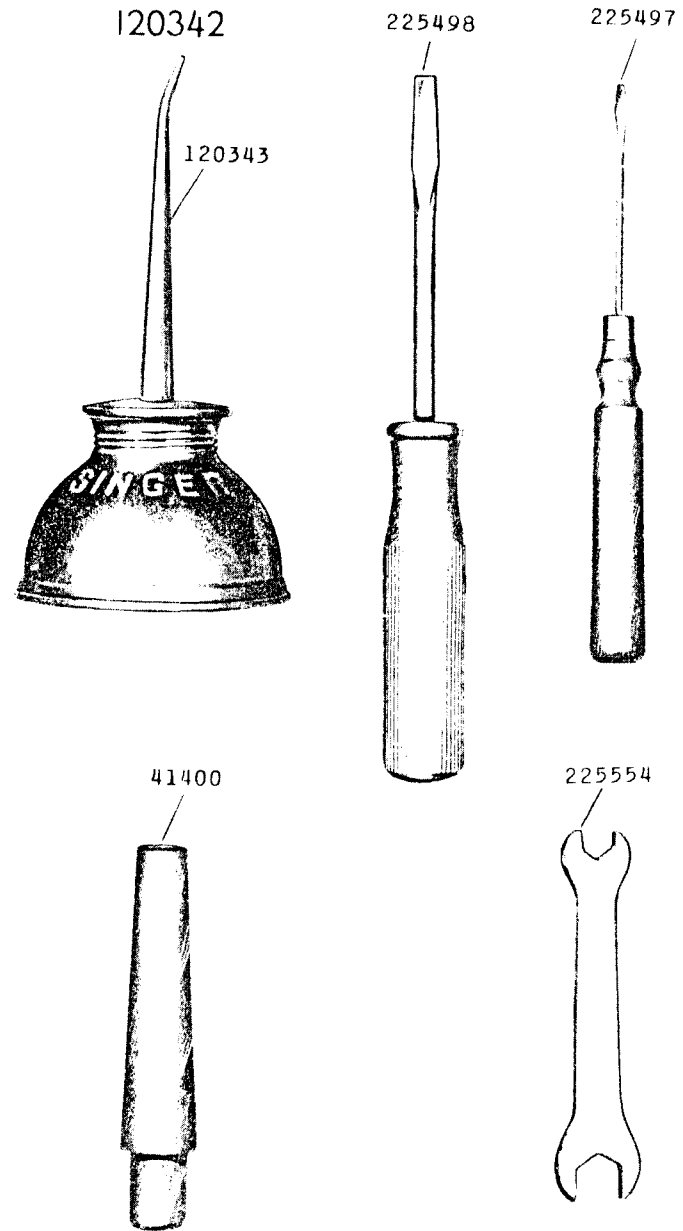


THE SINGER MANUFACTURING COMPANY

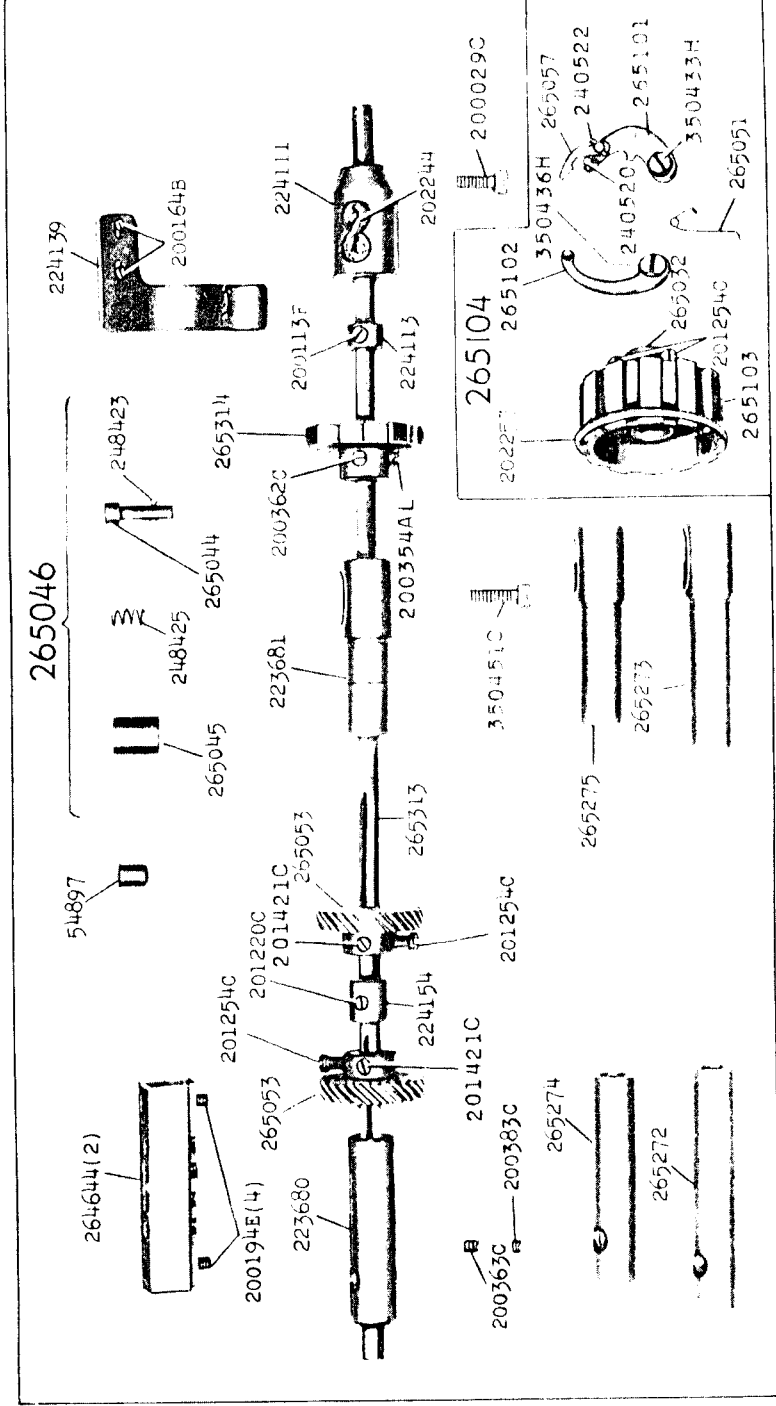


Copyright, U. S. A., 1939, 1940, 1946, 1947 and 1948,
by The Singer Manufacturing Company
All Rights Reserved for all Countries

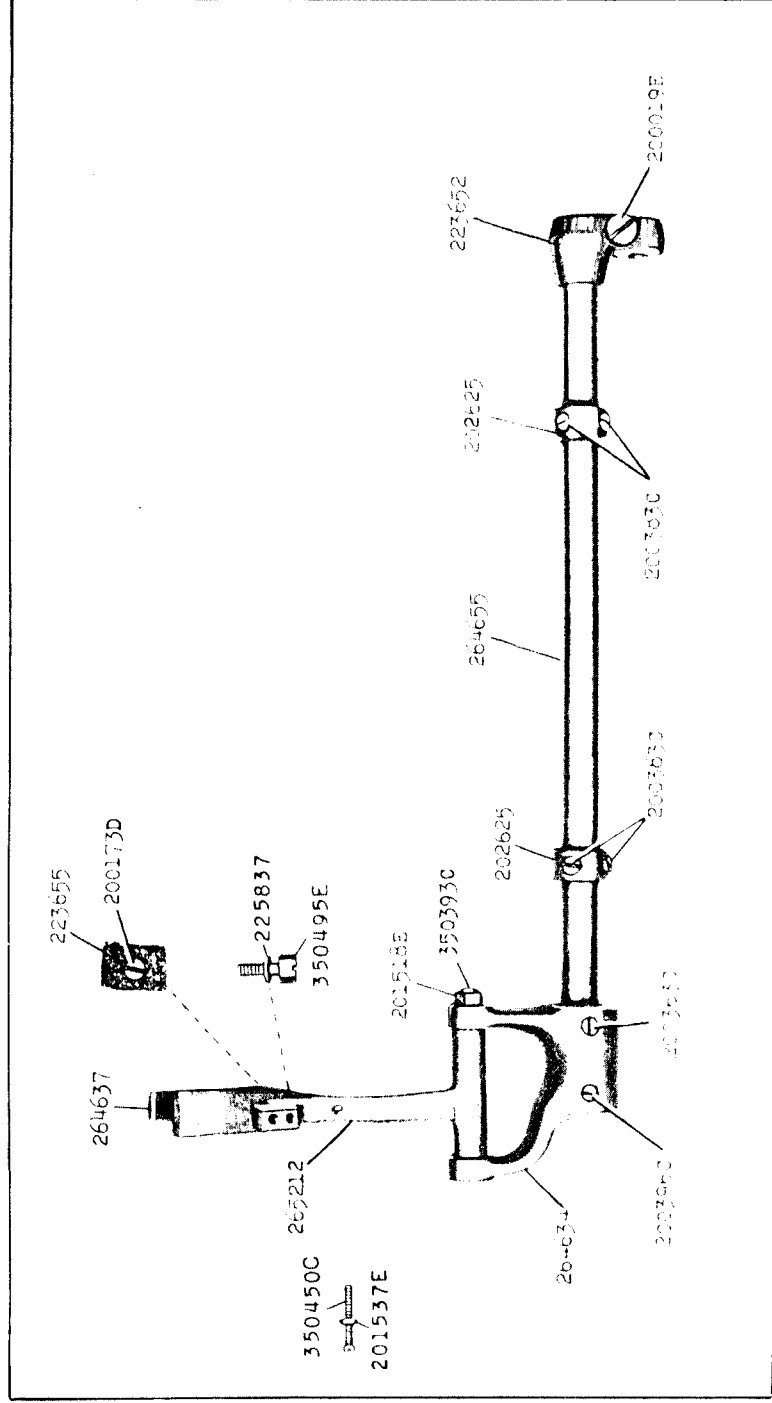
13067 - 1/2



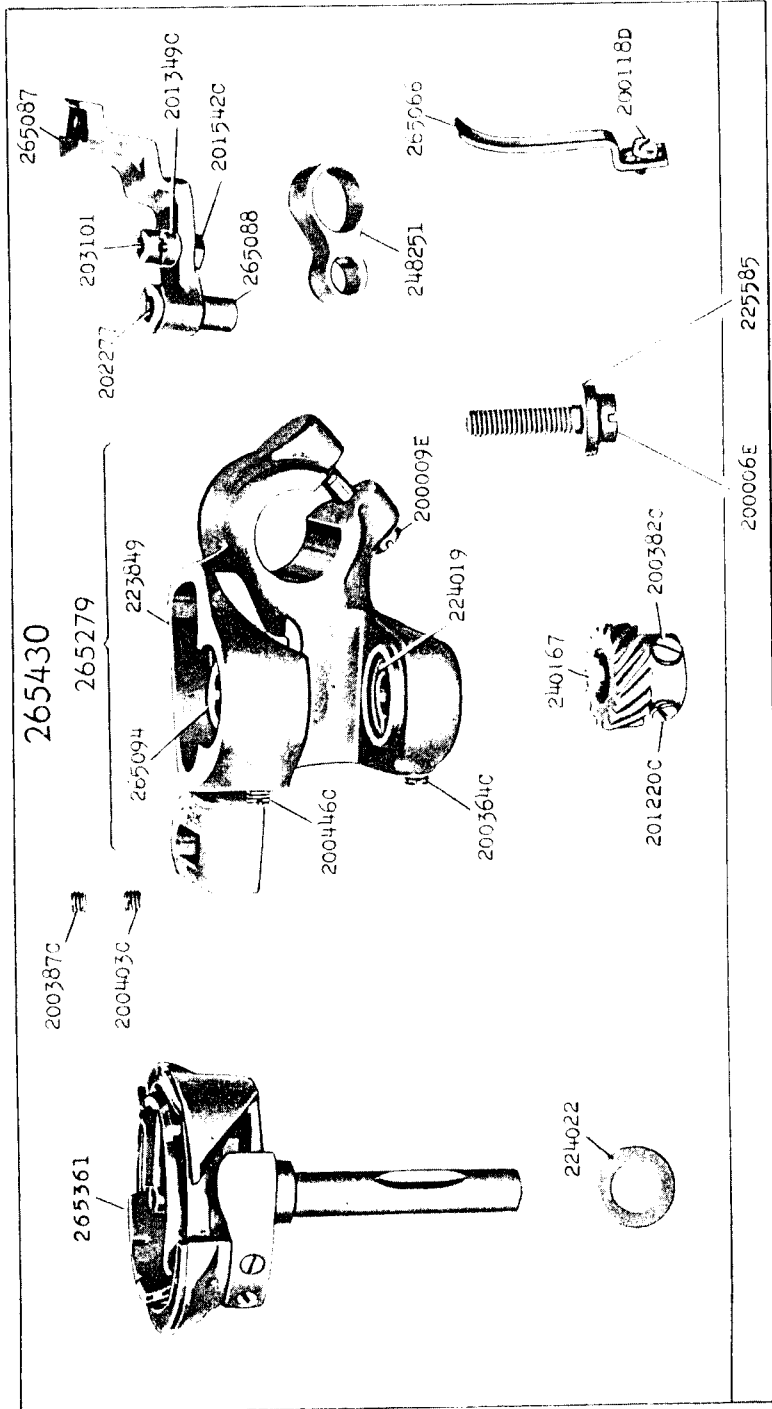
16167 - 1/3



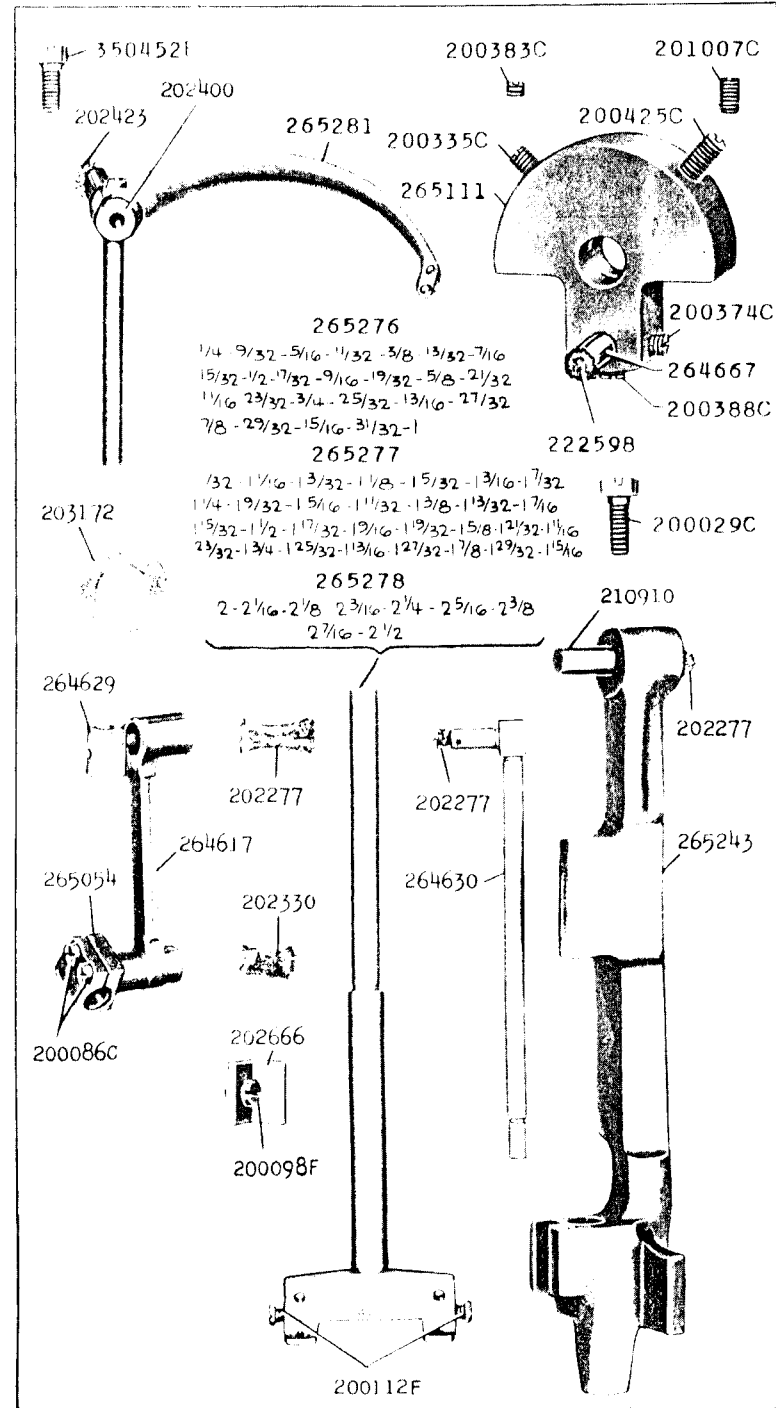
16168 - 3/8



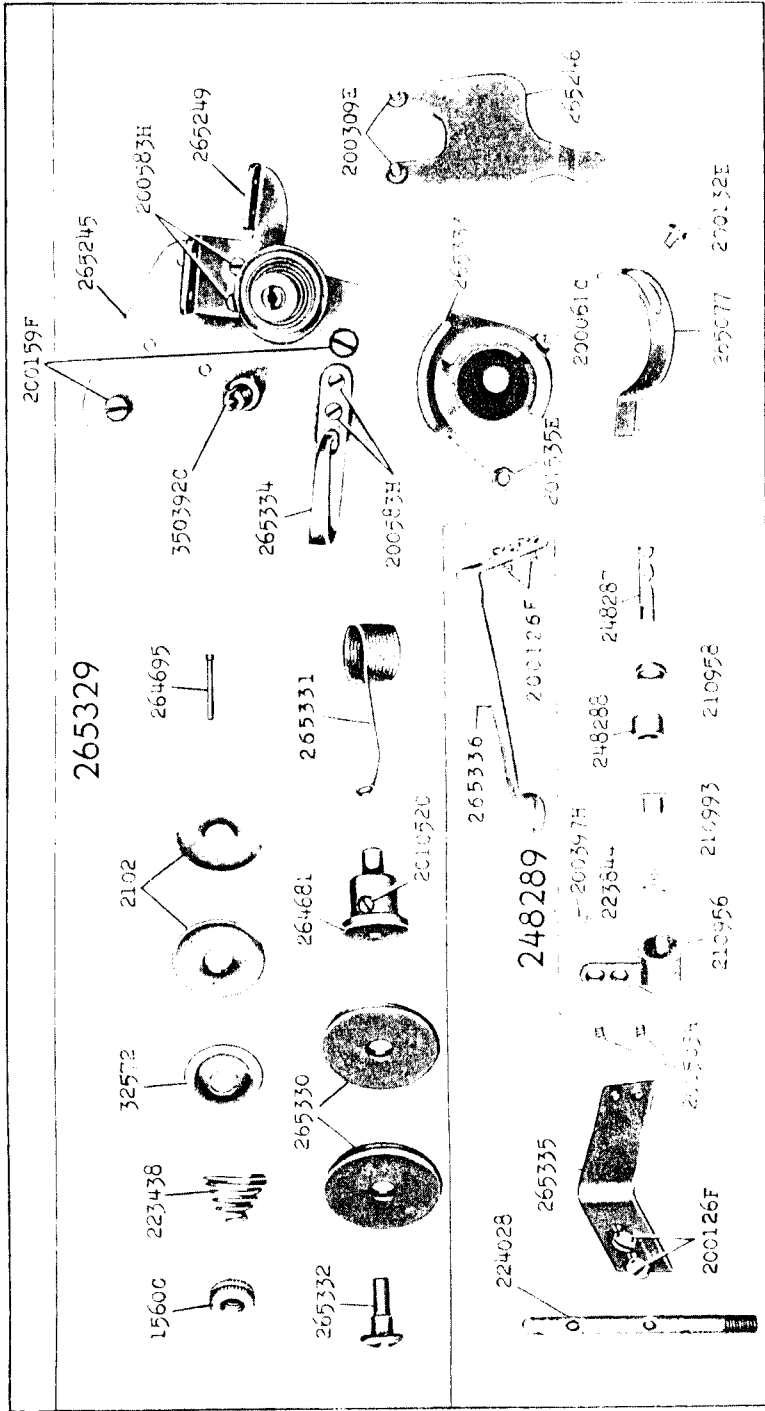
16169 - 5/8



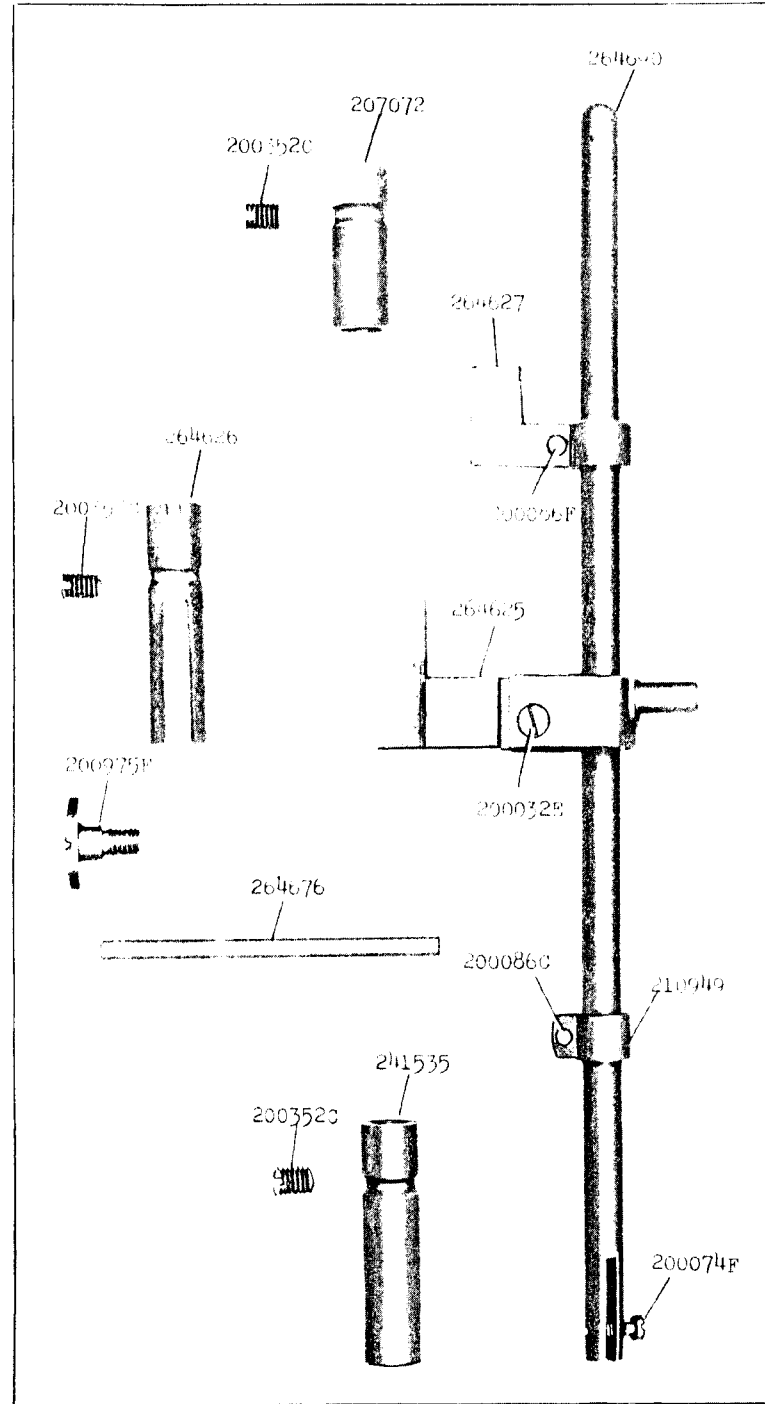
16170 - 1/2



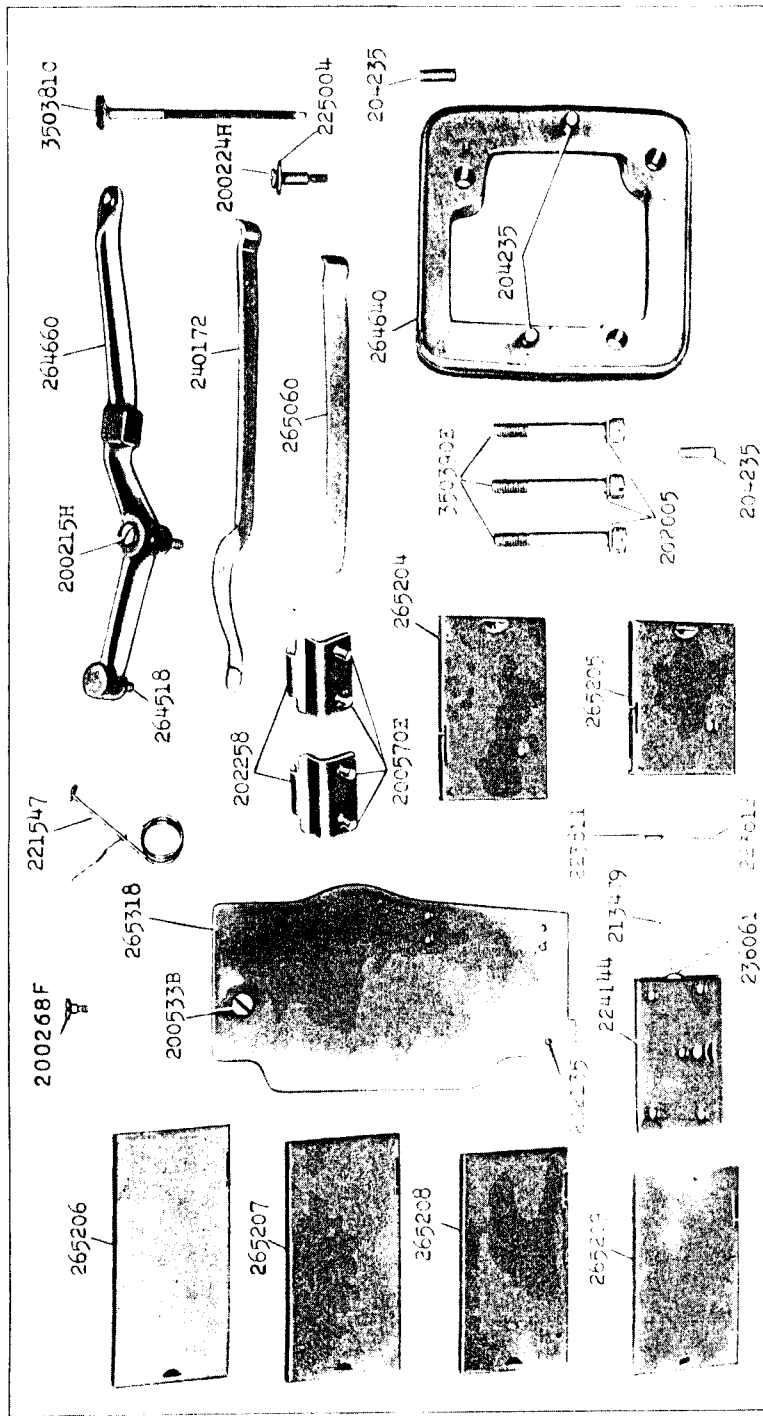
16171 - 1/2



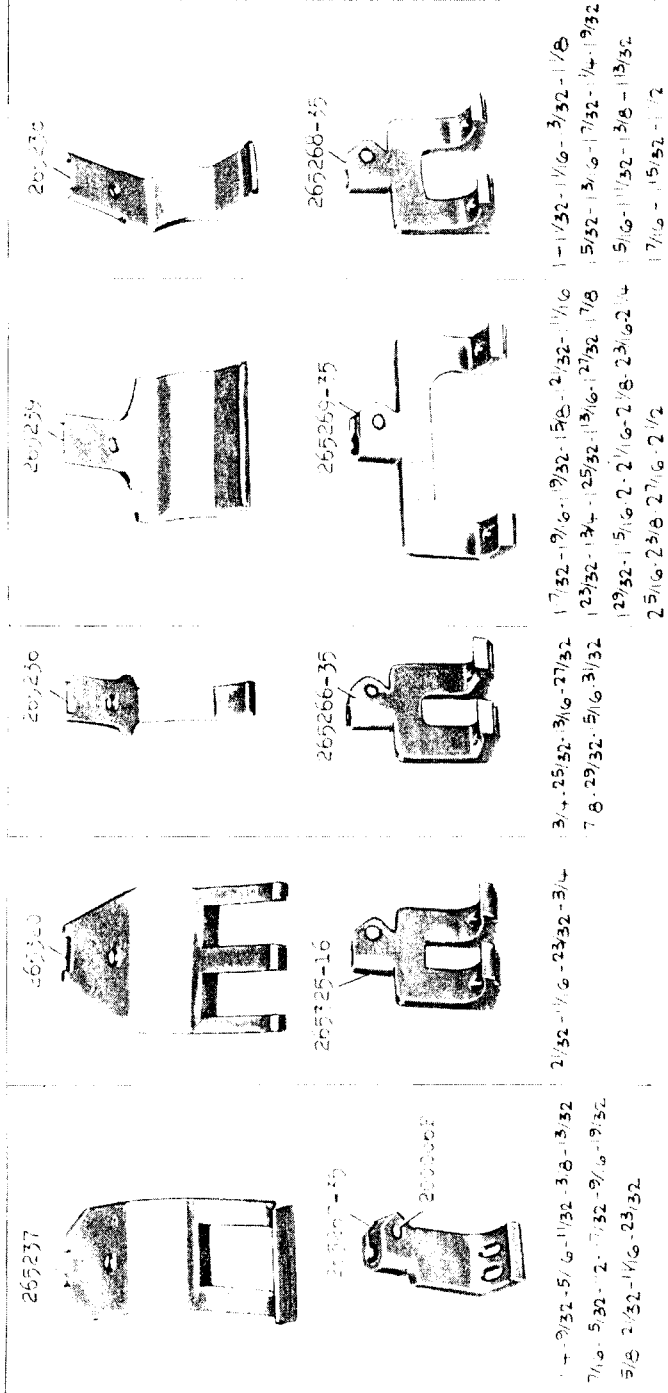
16172 - 5/8



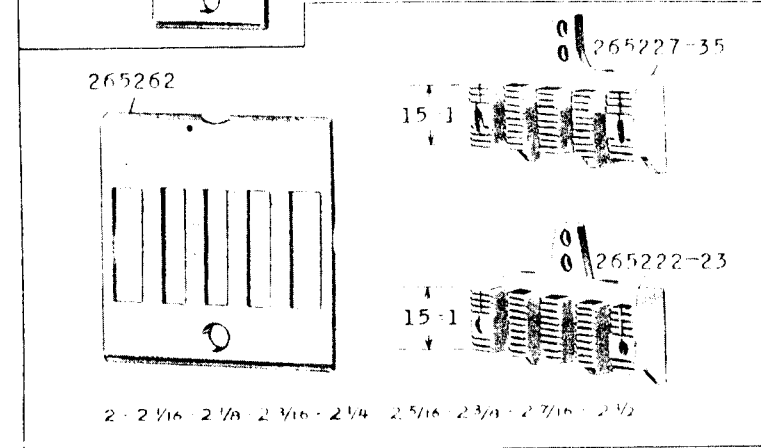
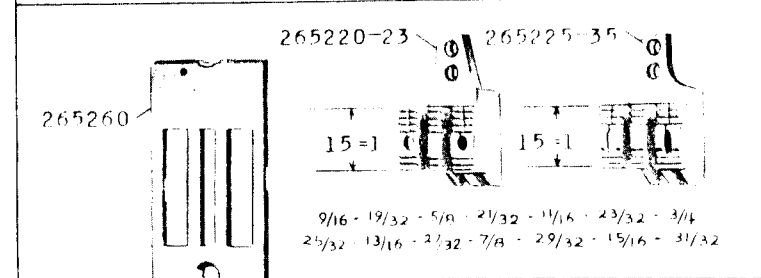
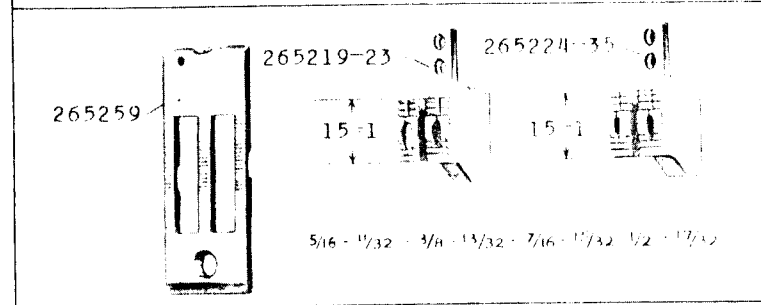
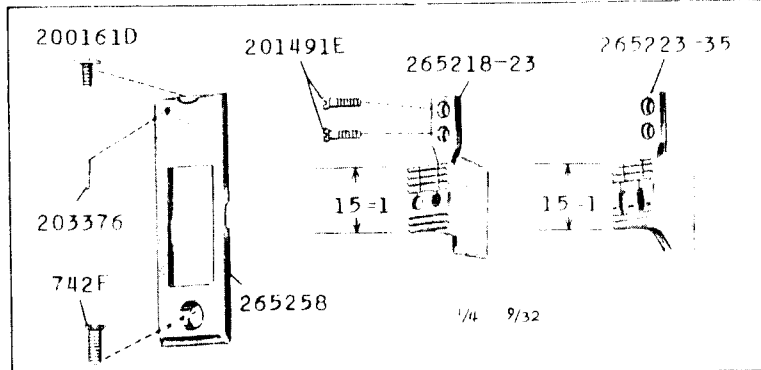
16173 - 1/4



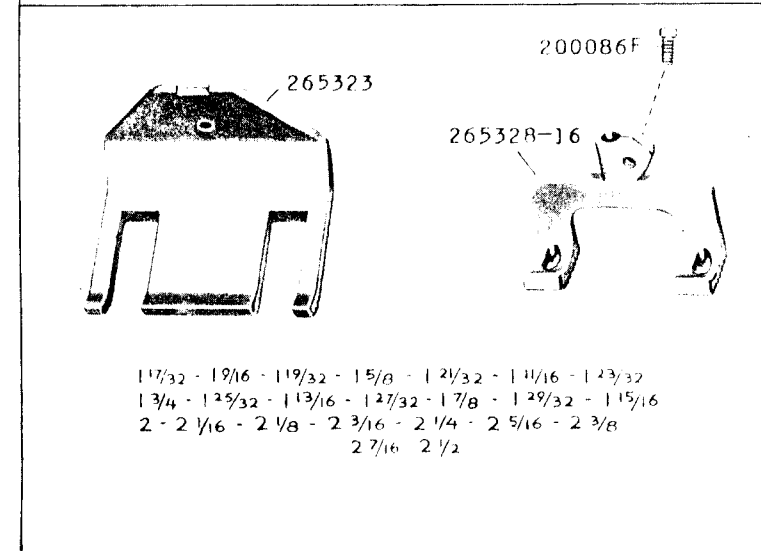
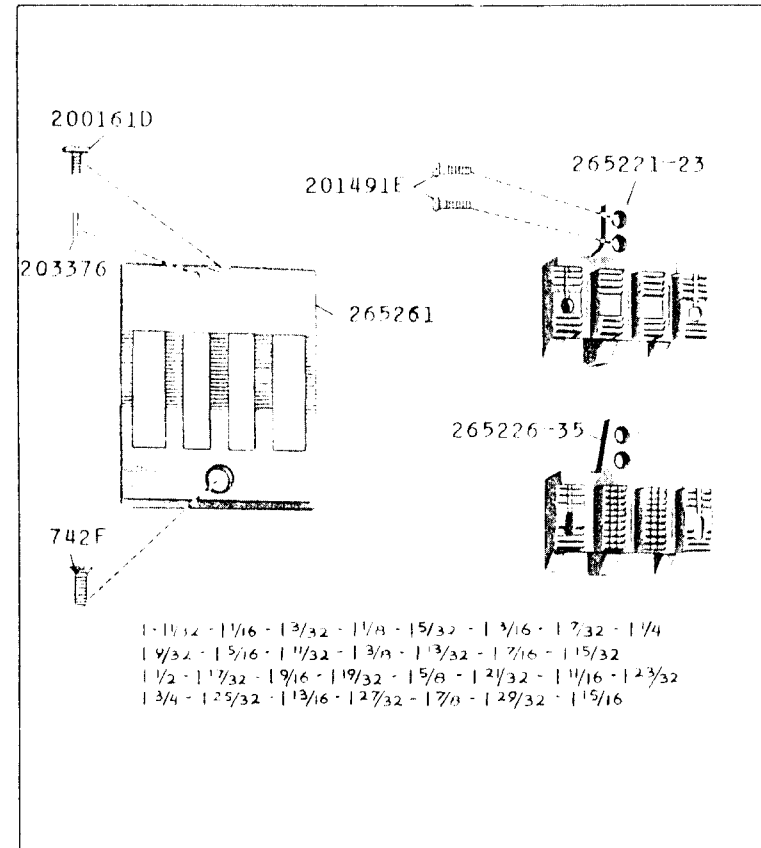
16174 - 1/2



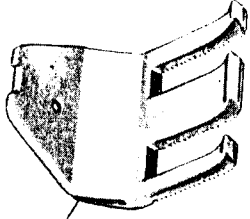
16181 - 1/2



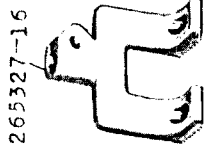
16182 - 1/2



16187 - 1/2

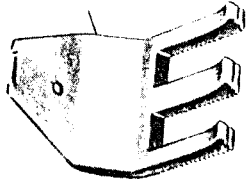


265322

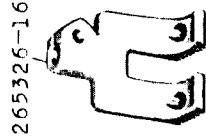


265327-16

1 - 1/32 - 1/16 - 1/32 - 1/8 - 15/32
3/16 - 17/32 - 1/4 - 19/32 - 5/16
1/32 - 13/8 - 19/32 - 17/16 - 15/24 - 1/2

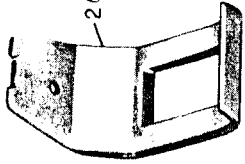


265321

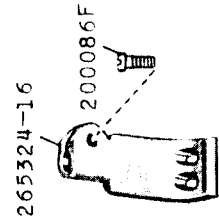


265326-16

25/32 - 13/16 - 27/32 - 7/8
29/32 - 15/16 - 3/32



265237



265324-16

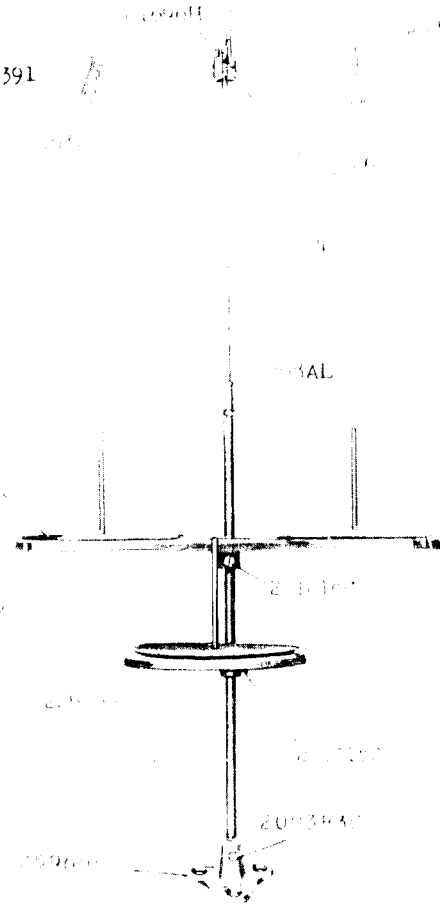
200086F

1/4 - 9/32 - 5/16 - 1/32 - 1/2 - 3/8 - 13/32
7/16 - 15/32 - 1/2 - 17/32
9/16 - 19/32 - 5/8

16257 - 1/6

259143

25391



27791

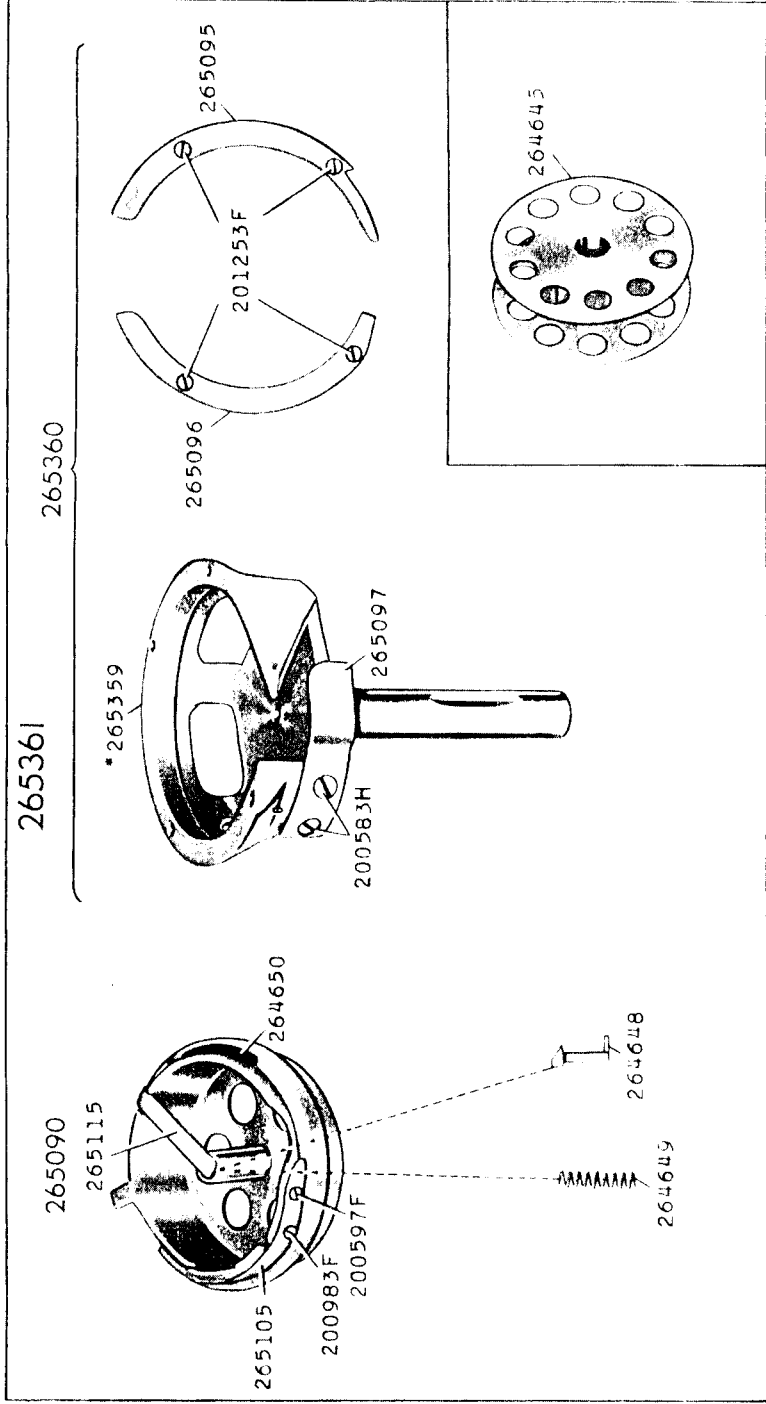
225317

60915

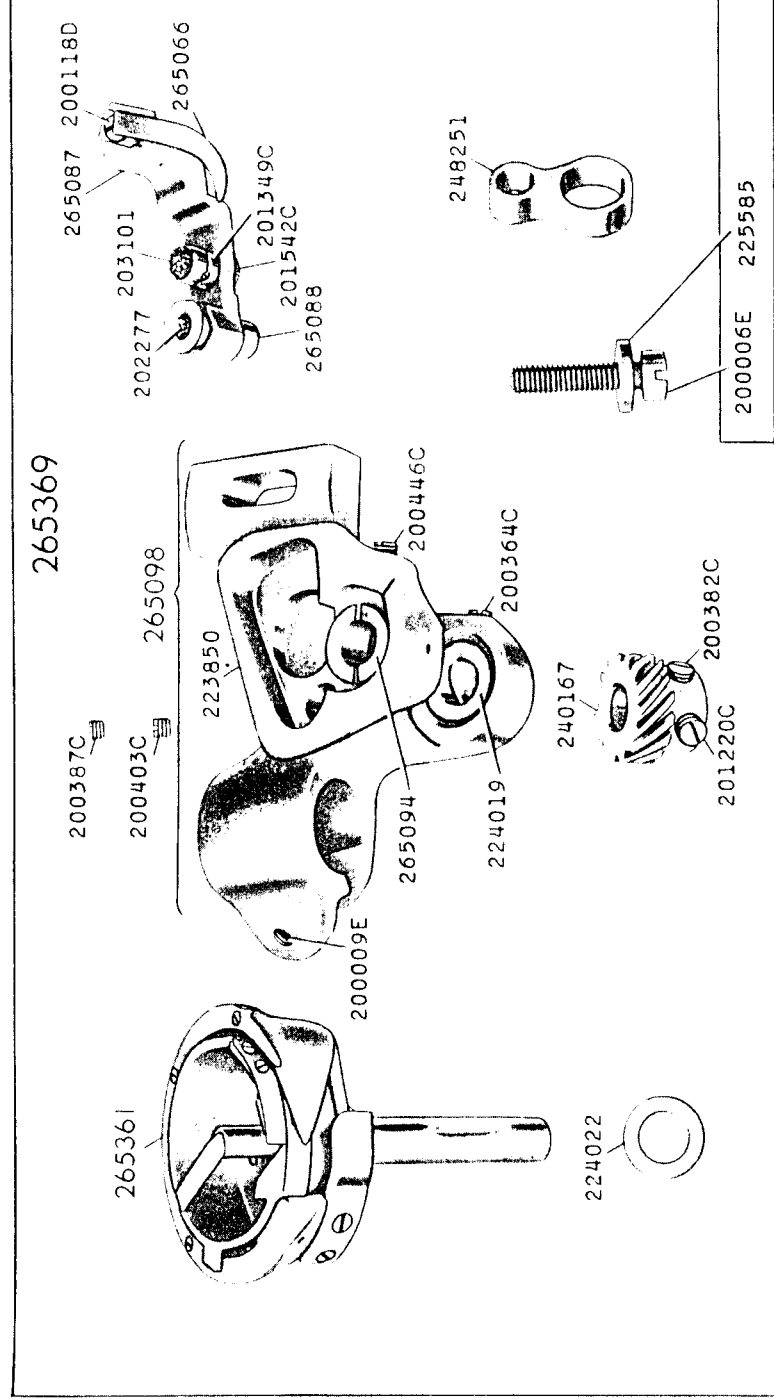
2 5410



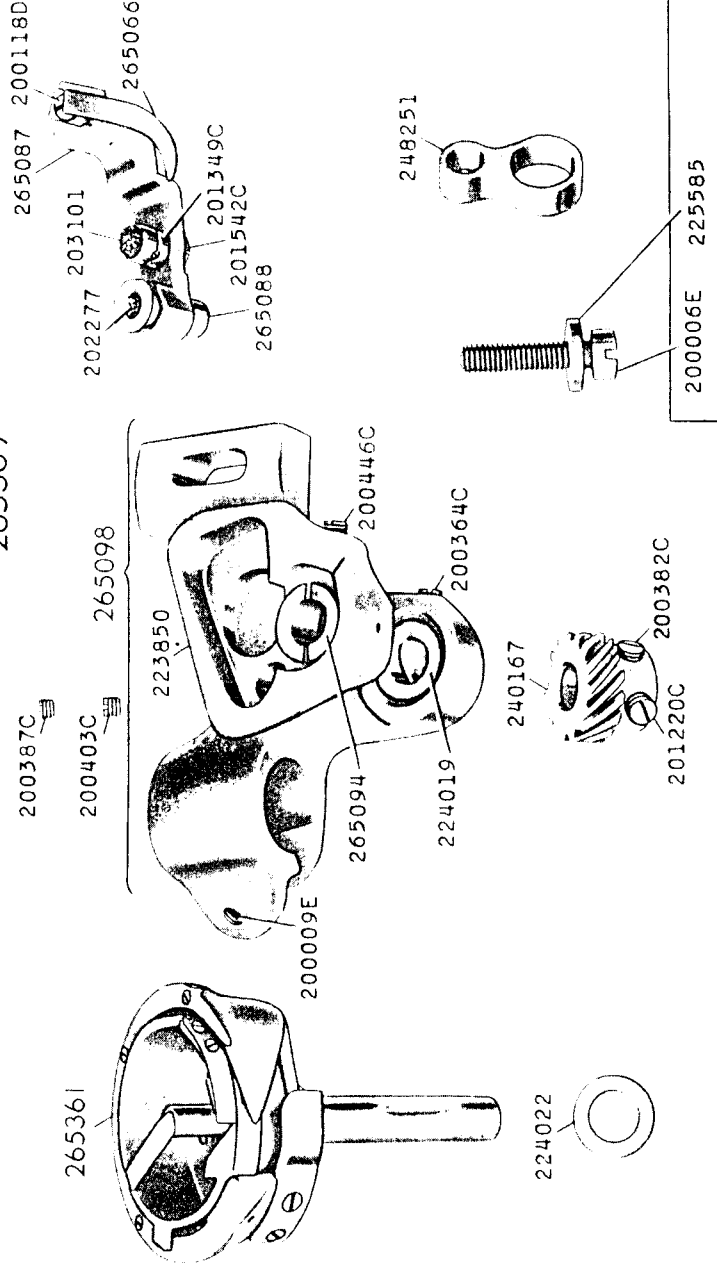
18503 - 3/4



18504 5/8



265369



200387C

200403C

265098

223850

200009E

200009E

265094

224019

200364C

240167

201220C

200382C

265087 200118D

202277

203101

265066

201349C

201542C

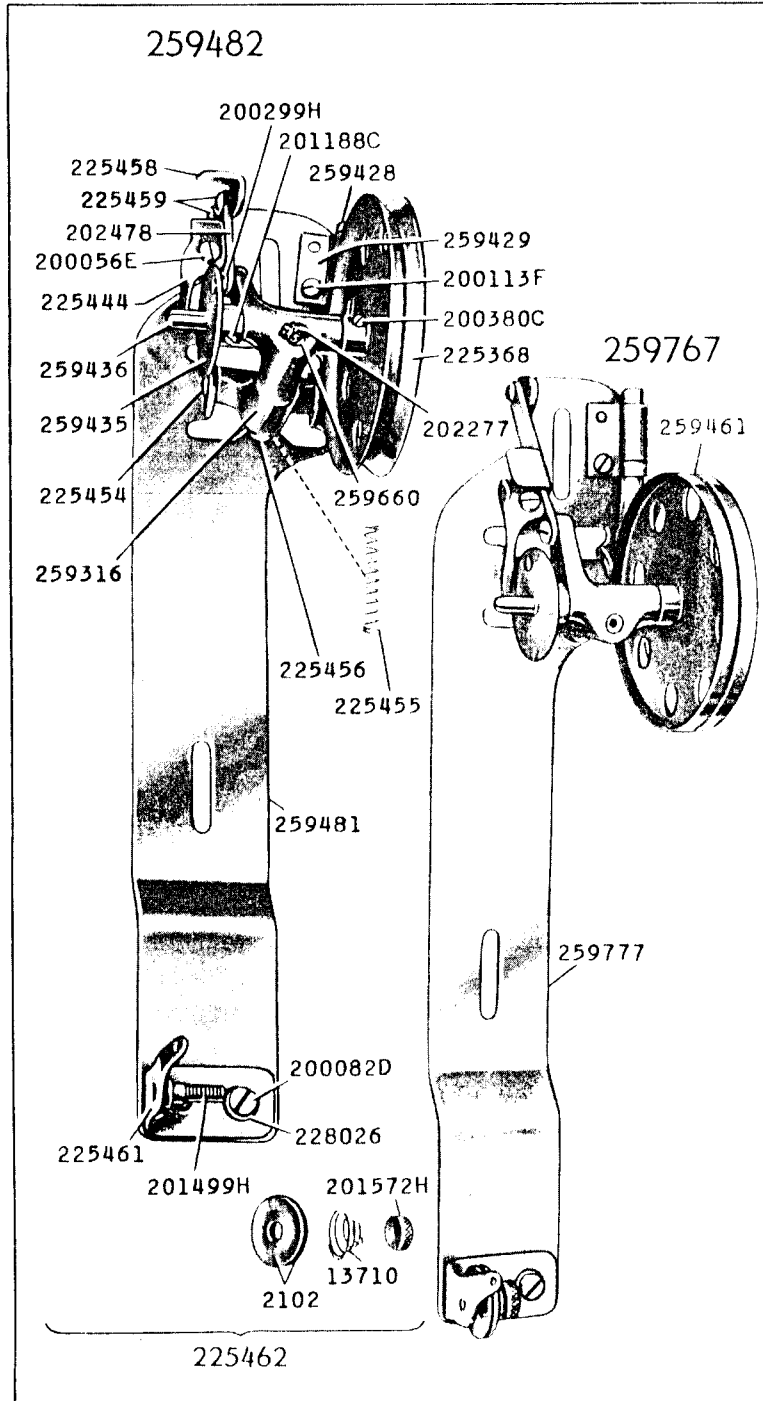
265088

248251

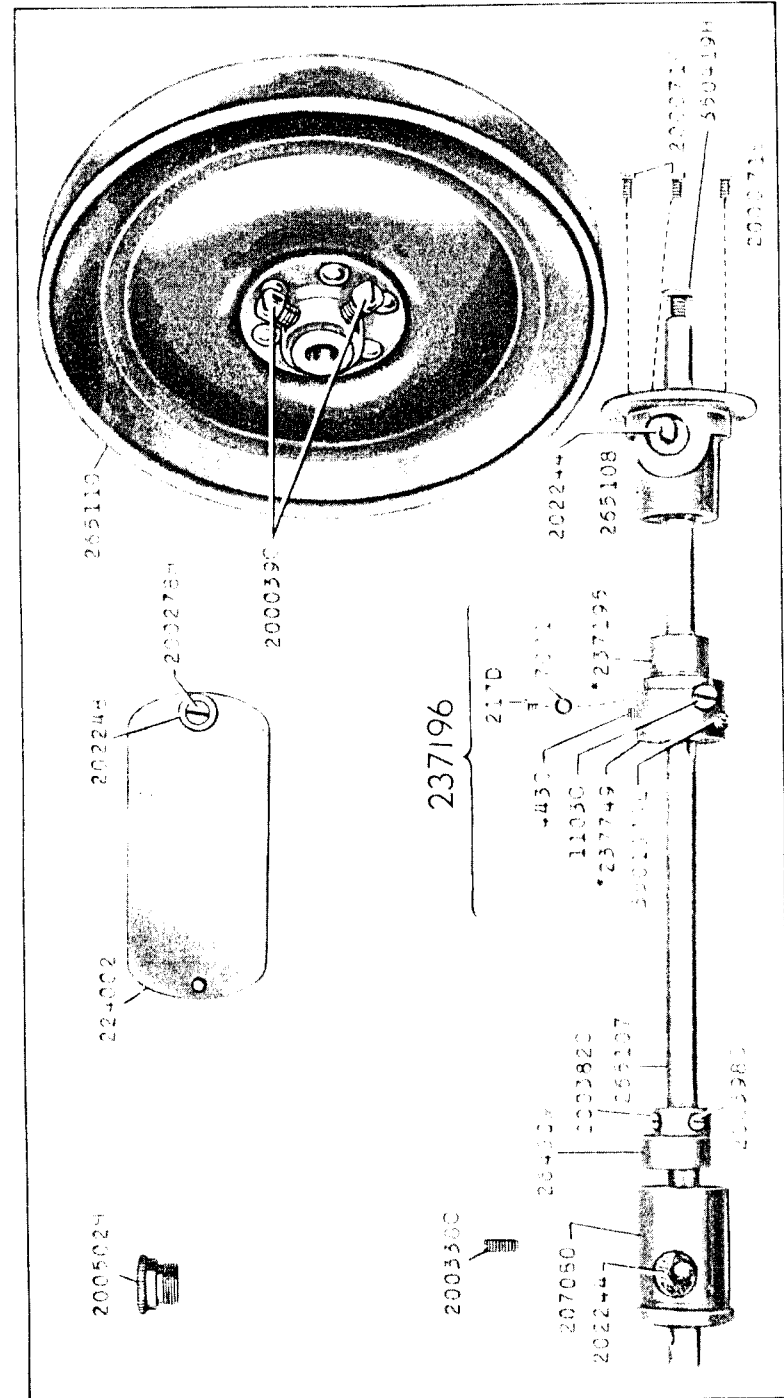
200006E 225585

224022

18509 - 3/8



18518 - 1/3



18519 - 3/8

