

SINGER
176-34

LIST OF PARTS



MACHINE No. 176-34

** A TRADE MARK OF
THE SINGER MANUFACTURING COMPANY

INSTRUCTIONS FOR OILING

To ensure easy running and prevent unnecessary wear of the parts which are in movable contact, the machine requires oiling, and when in continuous use, "TYPE D" OIL, sold only by Singer Sewing Machine Company, should be applied at least twice each day to all oil holes marked "OIL," as instructed in Form 20155.

"TYPE D" OIL is stainless.

INDEX

	Page
Accessories	11
Feeding Disc Opening and Starting Parts.....	11
Knee Lever for Opening Feeding Discs.....	12
Machine Base	12
Machine No. 176-34	7
Numerical List of Parts	13
Spool Stand for One Spool.....	12

INSTRUCTIONS FOR ORDERING

In ordering from this list, use ONLY the part NUMBER in the FIRST column.

The number stamped on a Sewing Machine Part is in every case the number of the single part only.

Every combination of parts sent out as such has its specific number, which, although not stamped on the parts, must be used when ordering the combination.

Each number always indicates the SAME PART in whatever list it appears, or for whatever machine.

The letters after some of the numbers indicate the style of finish only, as follows:

- A—Hardened, Polished, Nickel Plated and Buffed
- A.A—Buffed and Chromium Plated
- A.B—Hardened, Polished, Buffed and Chromium Plated
- A.C—Brown Baking Enamel Finish
- A.D—Gray Baking Enamel Finish
- A.E—Hardened, Bright Rumbled and Nickel Plated
- A.F—Hardened, Bright Rumbled, Nickel Plated, Bright Rumbled and Chromium Plated
- A.G—Alumilite, Plain
- A.H—Alumilite, Dyed
- A.J—Polished, Nickel Plated and Chromium Plated
- A.K—Hardened, Polished, Nickel Plated and Chromium Plated
- A.L—Heat Treated for Toughness
 - B—Polished, Nickel Plated and Buffed
 - C—Hardened Only
- C.R—Hardened and Merlized
 - D—Polished Only
 - E—Soft, Not Polished
 - F—Hardened and Polished
- F.J—Hardened, Polished and Nickel Plated
- G—Bright Rumbled and Nickel Plated
- H—Blued
- J—Nickel Plated Only
- K—Hardened and Nickel Plated
- L—Brass Plated
- M—Oxidized
- N—Japanned, Dull
- P—Japanned, Bright
- P.P—Wrinkle Finish
- R—Merlized
- S—Cadmium Plated
- T—Copper Plated
- T.A—Hardened, Polished, Copper and Nickel Plated and Buffed
- T.B—Copper and Nickel Plated and Polished
- T.J—Copper and Nickel Plated Only
- T.K—Hardened, Copper and Nickel Plated
- T.L—Copper and Brass Plated
- T.M—Copper Plated and Oxidized

INSTRUCTIONS FOR ORDERING—Continued

- U—Zinc Plated
- V—Silver Plated
- W—Polished and Nickel Plated
- X—Black Oxide, for Iron and Steel
- X.C—Hardened and Black Oxide, for Iron or Steel
- Y—Black Nickel Plated Only
- Z—Chromium Plated
- Z.A—Hardened, Polished, Nickel Plated, Buffed and Chromium Plated
- Z.B—Polished, Nickel Plated, Buffed and Chromium Plated
- Z.C—Hardened and Chromium Plated
- Z.D—Polished and Chromium Plated
- Z.G—Bright Rumbled, Nickel Plated, Bright Rumbled and Chromium Plated
- Z.J—Nickel and Chromium Plated
- Z.T—Copper and Chromium Plated

These letters MUST BE USED when they appear in the list; and AFTER the number as in the list.

In this series:

1 to 1500, 50001 to 51500 and 140001 to 142000 are Screw Numbers

1501 to 1800 and 51501 to 51800 are Nut Numbers

1801 to 2000 and 51801 to 52000 are Roller Numbers

2001 to 50000 and 52001 to 140000 and 142001 to 190000 are Sewing Machine Parts, 190001 and upward are numbers of Electrical Parts.

The figures in the second column refer only to the plates, illustrating the parts, and are NOT TO BE USED in ordering.

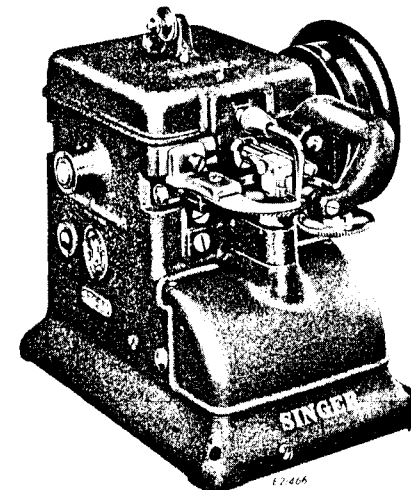
Parts marked with an asterisk (*) are furnished only when repairs are made at factory.

SINGER Needles should be used
in SINGER Machines.
These Needles and their Containers
are marked with the
Company's Trade Mark "SIMANCO. ***" 1

Needles in Containers marked
"FOR SINGER MACHINES"
are NOT **SINGER** made needles. 2

LIST OF PARTS COMPLETE

FOR



MACHINE No. 176-34

FOR SEWING SOCK LINING IN FELT AND LEATHER
SLIPPERS. LENGTH OF STITCH 4 TO 10 TO THE INCH.
NEEDLE BAR STROKE 1-3/8". SPEED 1500 R.P.M.

SINGER Needles should be used
in **SINGER** Machines
These Needles and their Containers
are marked with the
Company's Trade Mark "SIMANCO.**" 1

Needles in Containers marked
"FOR SINGER MACHINES"
are NOT **SINGER** made needles. 2

No.	Plate	Name
176108	25467	Feed Connection.....
176322	Feed Connection 176108 with 176109.....
140086C	25467	Feed Connection Hinge Screw.....
176109	25467	Feed Eccentric with 889AL.....
176110	25467	Feed Eccentric Pin.....
889AL	25467	Feed Eccentric Set Screw.....
176423	25468	Feed Lever.....
176424	Feed Lever 176423 with 1684C, 51666J, 176176, 176181, 176182 and 176344.....
176187	25468	Feeding Disc (back) with two 445C.....
445C	25468	Feeding Disc (back) Set Screw (2).....
176113	25468	Feeding Disc (back) Shaft.....
176114	25468	Feeding Disc (back) Shaft Reinforcing Sleeve with two 445C.....
445C	25468	Feeding Disc (back) Shaft Reinforcing Sleeve Set Screw (2).....
176150	25468	Feeding Disc (back) Worm Gear with two 445C.....
445C	25468	Feeding Disc (back) Worm Gear Set Screw (2).....
176448	25468	Feeding Disc (back) Worm Wheel with two 889AL.....
144262	25468	Feeding Disc (back) Worm Wheel Clutch (brake).....
144263	Feeding Disc (back) Worm Wheel Clutch (brake) 144262 with three 131726.....
144262	25468	Feeding Disc (back) Worm Wheel Clutch (drive).....
144263	Feeding Disc (back) Worm Wheel Clutch (drive) 144262 with three 131726.....
144264	25468	Feeding Disc (back) Worm Wheel Clutch Driving Arm (left).....

No.	Plate	Name
176426	25468	Feeding Disc (back) Worm Wheel Clutch Driving Arm (right)
176447	25468	Feeding Disc (back) Worm Wheel Clutch Driving Arm Retainer
1722C	25468	Feeding Disc (back) Worm Wheel Clutch Driving Arm Retainer Nut
140489C	25468	Feeding Disc (back) Worm Wheel Clutch Driving Arm Retainer Screw
67425	25468	Feeding Disc (back) Worm Wheel Clutch Driving Arm Retainer Screw Nut Lock Washer
1255C	25468	Feeding Disc (back) Worm Wheel Clutch Driving Arm Screw (6)
131717	25468	Feeding Disc (back) Worm Wheel Clutch Roller (6)
68152	25468	Feeding Disc (back) Worm Wheel Clutch Roller Plunger (6)
131718	25468	Feeding Disc (back) Worm Wheel Clutch Roller Spring (6)
140408XC	25468	Feeding Disc (back) Worm Wheel Clutch Screw (left)
1722E	25468	Feeding Disc (back) Worm Wheel Clutch Screw (left) Nut
176428	25468	Feeding Disc (back) Worm Wheel Clutch Shaft
54369	25468	Feeding Disc (back) Worm Wheel Clutch Shaft Collar with two 465C
465C	25468	Feeding Disc (back) Worm Wheel Clutch Shaft Collar Set Screw (2)
176429	25468	Feeding Disc (back) Worm Wheel Clutch Shaft Lever
140399C	25468	Feeding Disc (back) Worm Wheel Clutch Shaft Lever Connecting Screw Stud
144449	25468	Feeding Disc (back) Worm Wheel Clutch Shaft Sleeve with two 140409C
140409C	25468	Feeding Disc (back) Worm Wheel Clutch Shaft Sleeve Set Screw (2)
131726	25468	Feeding Disc (back) Worm Wheel Clutch Wearing Plate (6)
176430	Feeding Disc (back) Worm Wheel Clutch complete, Nos. 144264, 144449, 176426, 176428, two 144263 and six each 1255C, 68152, 131717 and 131718
889AL	25468	Feeding Disc (back) Worm Wheel Set Screw (2)
176188	25469	Feeding Disc (front)
176189	25469	Feeding Disc (front) 176188 with 140091F, 176192, 176193, 176195, 176197, two 1477E and fourteen 176194
176190	25469	Feeding Disc (front) Arm with 1396AL
176191	25469	Feeding Disc (front) Arm 176190 with two 176009
176129	25469	Feeding Disc (front) Arm Bell Crank
176130	25469	Feeding Disc (front) Arm Bell Crank Shaft
50422C	25469	Feeding Disc (front) Arm Bell Crank Shaft Set Screw
176434	25469	Feeding Disc (front) Arm Pressure Spring
140400E	25469	Feeding Disc (front) Arm Pressure Spring Screw
1714E	25469	Feeding Disc (front) Arm Pressure Spring Screw Nut
176009	25469	Feeding Disc (front) Arm Shaft Pin (2)
176192	25469	Feeding Disc (front) Bearing Stud
1396AL	25469	Feeding Disc (front) Bearing Stud Clamping Screw
140091F	25469	Feeding Disc (front) Cap Screw
176193	25469	Feeding Disc (front) Cap Screw Washer
176194	25469	Feeding Disc (front) Roller (14)
176195	25469	Feeding Disc (front) Roller Washer
*176431	Head of Machine with two 176009
176314	25470	Head of Machine Front Cover
140088R	25470	Head of Machine Front Cover Screw (2)
176339	25470	Head of Machine Top Cover with three 176045
176009	25470	Head of Machine Top Cover Steady Pin (2)
176045	25470	Head of Machine Top Cover Thread Eyelet (3)
176140	25471	Looper
176141	25471	Looper Clamping Nut
176142	25467	Looper Driving Eccentric with 889AL
176333	Looper Driving Eccentric 176142 with 176334

No.	Plate	Name
889AL	25467	Looper Driving Eccentric Set Screw
176366	25471	Looper Driving Shaft
176145	25471	Looper Driving Shaft Frame
176351	Looper Driving Shaft Frame 176145 with 176141, 176353, 176355, 176366 and 176367
176325	25471	Looper Driving Shaft Frame Crank (back) with 42639
176326	Looper Driving Shaft Frame Crank (back) 176325 with 810J and 176327
176352	25471	Looper Driving Shaft Frame Crank (back) Hinge Bracket Holder with 140227J
176353	Looper Driving Shaft Frame Crank (back) Hinge Bracket Holder 176352 with 51672C and 176326
140227J	25471	Looper Driving Shaft Frame Crank (back) Hinge Bracket Screw (2)
140227J	25471	Looper Driving Shaft Frame Crank (back) Hinge Bracket Holder Screw
176325	25471	Looper Driving Shaft Frame Crank (front) with 42639
176326	Looper Driving Shaft Frame Crank (front) 176325 with 810J and 176327
176354	25471	Looper Driving Shaft Frame Crank (front) Hinge Bracket Holder with 140227J
176355	Looper Driving Shaft Frame Crank (front) Hinge Bracket Holder 176354 with 51672C and 176326
140227J	25471	Looper Driving Shaft Frame Crank (front) Hinge Bracket Holder Screw
140227J	25471	Looper Driving Shaft Frame Crank (front) Hinge Bracket Screw (2)
51672C	25471	Looper Driving Shaft Frame Crank Nut (2)
176327	25471	Looper Driving Shaft Frame Crank Wearing Sleeve (.375 in. diam.) (2)
176328	Looper Driving Shaft Frame Crank Wearing Sleeve (.3755 in. diam.)
176329	Looper Driving Shaft Frame Crank Wearing Sleeve (.376 in. diam.)
176330	Looper Driving Shaft Frame Crank Wearing Sleeve (.3765 in. diam.)
176331	Looper Driving Shaft Frame Crank Wearing Sleeve (.377 in. diam.)
176332	Looper Driving Shaft Frame Crank Wearing Sleeve (.3775 in. diam.)
810J	25471	NOTE: Nos. 176328 to 176332 are to be furnished for repairs only. Looper Driving Shaft Frame Crank Wearing Sleeve Cap Screw (2)
42639	25471	Looper Driving Shaft Frame Crank Wearing Sleeve Position Pin (2)
176155	25467	Looper Oscillating Cam with 889AL
176334	Looper Oscillating Cam 176155 with 145E, 159E, 176105 and 176106
176156	25467	Looper Oscillating Cam Pin
889AL	25467	Looper Oscillating Cam Set Screw
176367	25471	Looper Oscillating Crank with 164E and two 1143AL
176158	25471	Looper Oscillating Crank Ball
176159	25471	Looper Oscillating Crank Ball Stud
164E	25471	Looper Oscillating Crank Ball Stud Clamping Screw
1143AL	25471	Looper Oscillating Crank Set Screw (2)
176357	25467	Machine Driving Pulley "V" belt groove (outside diam. of belt groove 4.4 in.) with 445C
445C	25467	Machine Driving Pulley Set Screw
176102	25467	Machine Driving Pulley Shaft
176103	25467	Machine Driving Pulley Shaft Bushing (left)
998C	25467	Machine Driving Pulley Shaft Bushing (left) Set Screw
176104	25467	Machine Driving Pulley Shaft Bushing (right)
998C	25467	Machine Driving Pulley Shaft Bushing (right) Set Screw

No.	Plate	Name
176105	25467	Machine Driving Pulley Shaft Counterbalance (large).....
176106	25467	Machine Driving Pulley Shaft Counterbalance (small).....
145E	25467	Machine Driving Pulley Shaft Counterbalance Screw (long)
159E	25467	Machine Driving Pulley Shaft Counterbalance Screw (short)
176107	25467	Machine Driving Pulley Washer (felt).....
176081	25471	Needle Bar.....
176161	Needle Bar 176081 with Needle Clamp Body.....
176162	Needle Bar complete, Nos. 140082F, 140089F, 140090F, 176161, 176168, 176169, 176171, 176172 and 176174..
176163	25471	Needle Bar Bushing with 176164.....
51665C	25471	Needle Bar Bushing Lock Nut.....
176164	25471	Needle Bar Bushing Steady Pin.....
176380	25471	Needle Bar Connection with two 51320AL.....
176381	Needle Bar Connection 176380 with 176166.....
51320AL	25471	Needle Bar Connection Clamping Screw (2).....
176382	25471	Needle Bar Connection Guide Rod.....
446AL	25471	Needle Bar Connection Guide Rod Set Screw.....
176166	25467	Needle Bar Eccentric with 889AL.....
176110	25467	Needle Bar Eccentric Pin.....
889AL	25467	Needle Bar Eccentric Set Screw.....
176168	25471	Needle Bar Thread Guide.....
140082F	25471	Needle Bar Thread Guide Screw.....
140089F	25471	Needle Bar Thread Nipper Screw.....
176169	25471	Needle Bar Thread Nipper Screw Bushing.....
176170	25471	Needle Bar Thread Nipper Slide Rod.....
440AL	25471	Needle Bar Thread Nipper Slide Rod Set Screw.....
176171	25471	Needle Bar Thread Nipper Spring.....
176172	25471	Needle Clamp.....
140090F	25471	Needle Clamp Screw.....
176174	25471	Needle Clamp Steady Pin.....
176197	25469	Needle Guide.....
1477E	25469	Needle Guide Screw (2).....
176176	25468	Stitch Indicator.....
176344	25468	Stitch Regulating Screw Stud.....
1684C	25468	Stitch Regulating Screw Stud Nut.....
176181	25468	Stitch Regulating Screw Stud Nut Washer.....
176182	25468	Stitch Regulating Screw Stud Slide Block.....
51666J	25468	Stitch Regulating Screw Stud Thumb Nut.....
2102	25470	Tension Disc (2).....
1560C	25470	Tension Regulating Thumb Nut.....
633C	25470	Tension Screw Stud.....
58592	Tension Screw Stud 633C with 1560C.....
176084	25470	Tension Spring.....
176085	25470	Tension complete, Nos. 58592, 176084 and two 2102.....
176346	25471	Work Guide.....
176348	25471	Work Guide 176346 with 162J and 176349.....
889AL	25471	Work Guide Adjusting Screw.....
176349	25471	Work Guide Bracket with 889AL.....
840J	25471	Work Guide Bracket Screw.....
162J	25471	Work Guide Screw.....

ACCESSORIES

No.	Plate	Name
176087	Belt, 5/16 in. round, 36 in. long, with 25029.....
25029	Belt Hook.....
120342	25472	Oiler (copper plated) with 120343.....
120343	25472	Oiler Spout, 3 1/2 in. long.....
26026	25472	Screw Driver.....
176089	25472	Tweezers.....
176202	25472	Wrench for 176141.....

FEEDING DISC OPENING AND STARTING PARTS

175216	25473	Feeding Disc Opening Treadle.....
175217	25473	Feeding Disc Opening Treadle Hinge Pin.....
175218	25473	Feeding Disc Opening Treadle Stand.....
175219	25473	Feeding Disc Opening Treadle complete, Nos. 175216, 175217, 175218 and two wood screws 1 in. No. 14 F.H.
46848	25473	Feeding Disc Opening Treadle Pitman Rod (lower).....
46848	25473	Feeding Disc Opening Treadle Pitman Rod (upper).....
152059	25473	Feeding Disc Opening Treadle Pitman Rod (upper) Connecting Lever.....
46850	25473	Feeding Disc Opening Treadle Pitman Rod (upper) Connecting Lever Bracket.....
24665	25473	Feeding Disc Opening Treadle Pitman Rod (upper) Connecting Lever Hinge Pin.....
152011	25473	Feeding Disc Opening Treadle Pitman Rod (upper) Connecting Lever complete, Nos. 24665, 46850, 152059 and two wood screws 3/4 in. No. 10 R.H.M.F.....
176185	25473	Feeding Disc Opening Treadle Pitman Rod (upper) Connecting Lever Chain (8 links).....
80223	25473	Feeding Disc Opening Treadle Pitman Rod Clamp with 361C.....
361C	25473	Feeding Disc Opening Treadle Pitman Rod Clamp Set Screw.....
123183	25473	Feeding Disc Opening Treadle Pitman Rod Cotter Pin (2).....
176091	25473	Feeding Disc Opening Treadle Pitman Rod complete, Nos. 80223 and two each 46848 and 123183.....
175216	25473	Starting Treadle.....
175217	25473	Starting Treadle Hinge Pin.....
175218	25473	Starting Treadle Stand.....
175219	25473	Starting Lever Treadle complete, Nos. 175216, 175217, 175218 and two wood screws 1 in. No. 14 F.H.....
46848	25473	Starting Treadle Pitman Rod (lower).....
46848	25473	Starting Treadle Pitman Rod (upper).....
80223	25473	Starting Treadle Pitman Rod Clamp with 361C.....
361C	25473	Starting Treadle Pitman Rod Clamp Set Screw.....
123183	25473	Starting Treadle Pitman Rod Cotter Pin (2).....
176091	25473	Starting Treadle Pitman Rod complete, Nos. 80223 and two each 46848 and 123183.....

**KNEE LEVER COMPLETE
FOR
OPENING FEEDING DISCS**

No.	Plate	Name
176393	25461	Knee Lever Rock Shaft
176394	25461	Knee Lever Rock Shaft Chain with 39576
62164	25461	Knee Lever Rock Shaft Chain Guide Pulley
128815	25461	Knee Lever Rock Shaft Chain Guide Pulley Bracket with two wood screws 1 in. No. 12 F.H.
1064R	25461	Knee Lever Rock Shaft Chain Guide Pulley Hinge Screw
150036	25461	Knee Lever Rock Shaft Chain Guide complete, Nos. 1064R, 62164 and 128815
39576	25461	Knee Lever Rock Shaft Chain Hook
176395	25461	Knee Lever Rock Shaft Hinge Bracket with 176397
2765	25461	Knee Lever Rock Shaft Knee Arm
2766	25461	Knee Lever Rock Shaft Knee Arm Hub with 356C
356C	25461	Knee Lever Rock Shaft Knee Arm Hub Set Screw
2768	Knee Lever Rock Shaft Knee Arm complete, Nos. 2765, 2766 and 2767
2767	25461	Knee Lever Rock Shaft Knee Plate with 356C
356C	25461	Knee Lever Rock Shaft Knee Plate Set Screw
6337	25461	Knee Lever Rock Shaft Opening Bracket with two 356C
6338	25461	Knee Lever Rock Shaft Opening Bracket Hook
356C	25461	Knee Lever Rock Shaft Opening Bracket Hook Set Screw
356C	25461	Knee Lever Rock Shaft Opening Bracket Set Screw
176396	25461	Knee Lever Rock Shaft Spring
176397	25461	Knee Lever Rock Shaft Stop (leather)
2770	25461	Knee Lever Rock Shaft Stop Dog with 140219C (2)
140219C	25461	Knee Lever Rock Shaft Stop Dog Set Screw (2)
176398	Knee Lever Rock Shaft complete, Nos. 2768, 6337, 6338, 176393, 176395, 176396 and two 2770
176399	25461	Knee Lever complete, Nos. 150036, 176394, 176398 and three wood screws 1 in. No. 10 F.H.

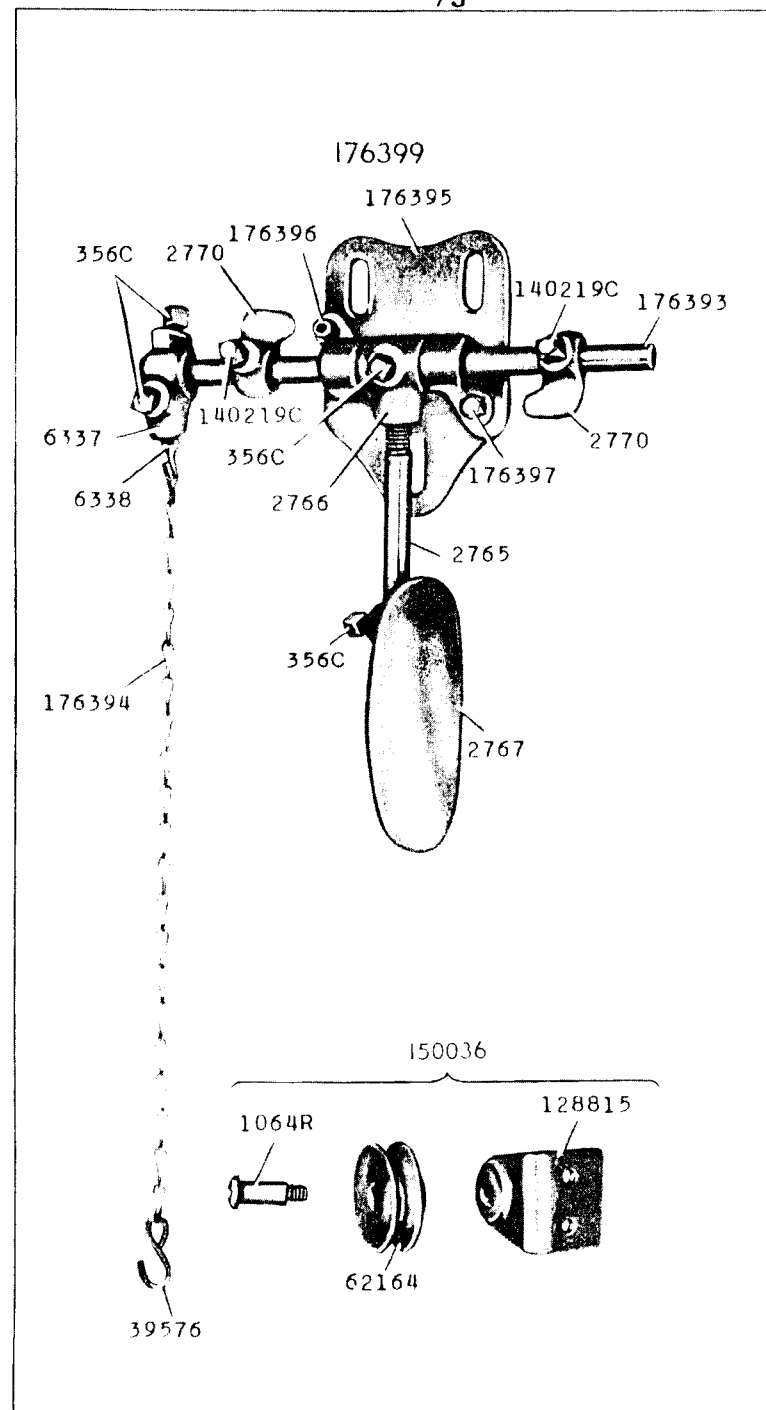
MACHINE BASE

176359	25474	Machine Base with four wood screws 1 in. No. 10 F.H. (no provisions for oil Drain Cock)
176184	25474	Machine Base with four wood screws 1 in. No. 10 F.H. (with provisions for oil Drain Cock)
NOTE: No. 176359 is regularly furnished with this Machine, unless otherwise specified on order.		
49123	25474	Machine Base Oil Pipe
49124	25474	Machine Base Oil Pipe Drain Cock
122E	25474	Machine Screw (4)

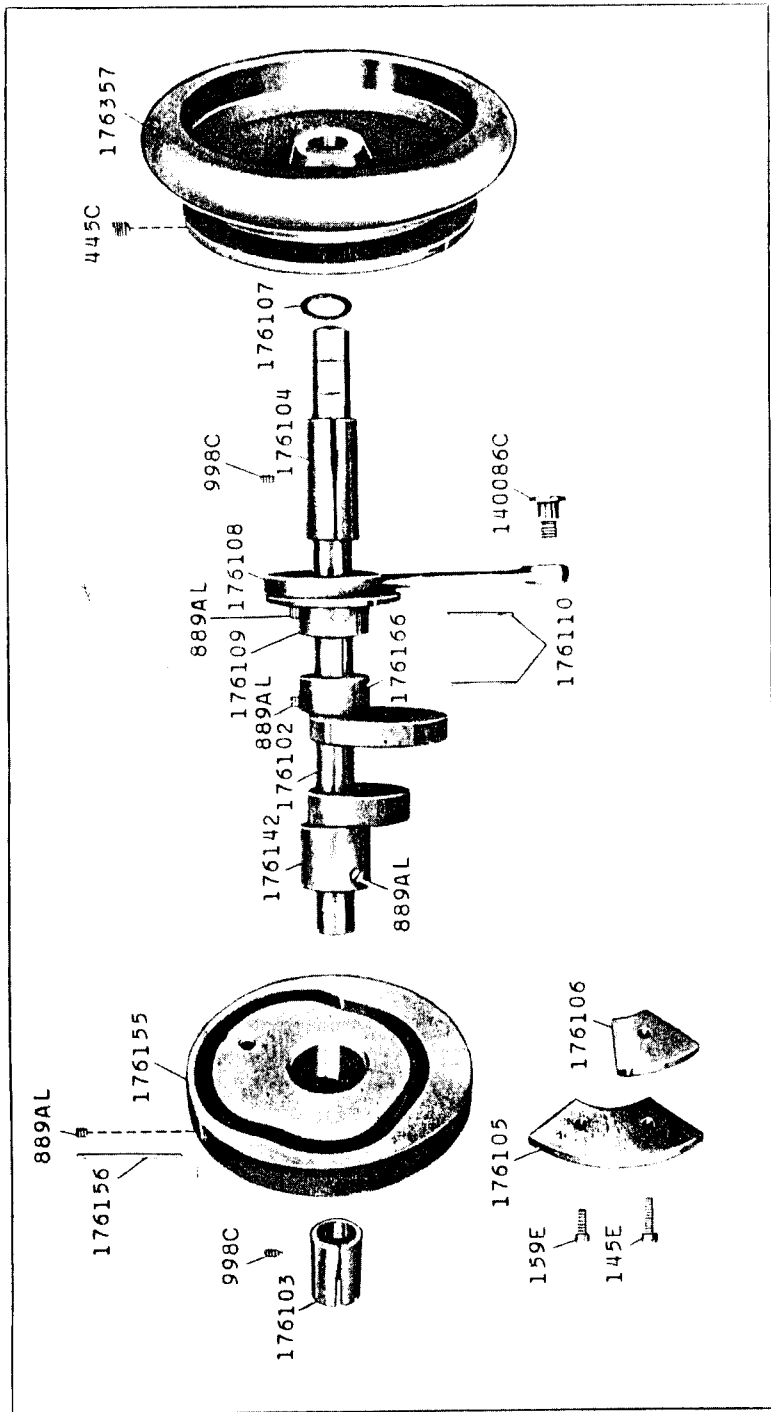
SPOOL STAND FOR ONE SPOOL

27882	25475	Spool Rest
60655	Spool Rest 27882 with 27884
41514	25475	Spool Weight, 4 in. diam., with 41515
41515	25475	Spool Weight Center Pin
27884	25475	Thread Eyelet Rod
27885	25475	Spool Stand complete, Nos. 41514, 60655 and two wood screws 3/4 in. No. 10 F.H.

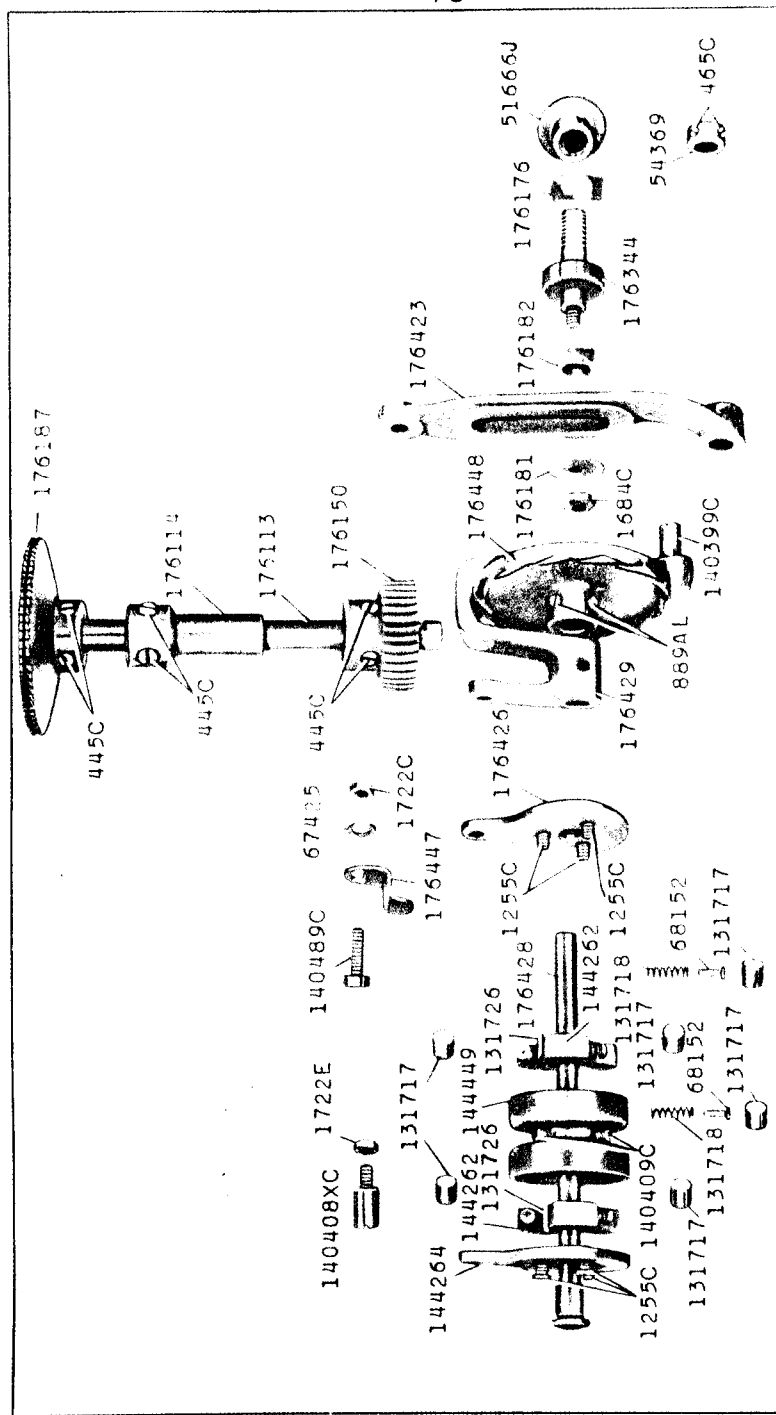
25461-1/3



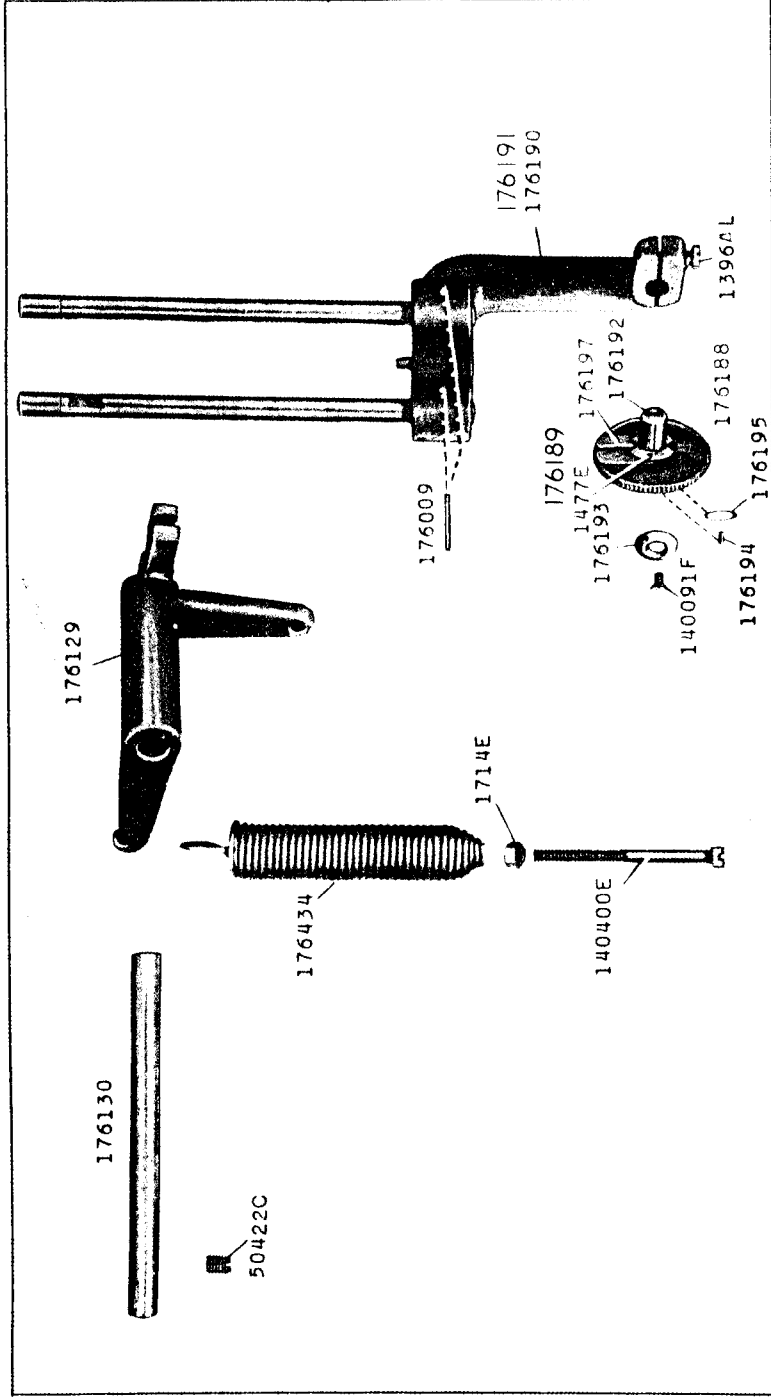
25467-1/3



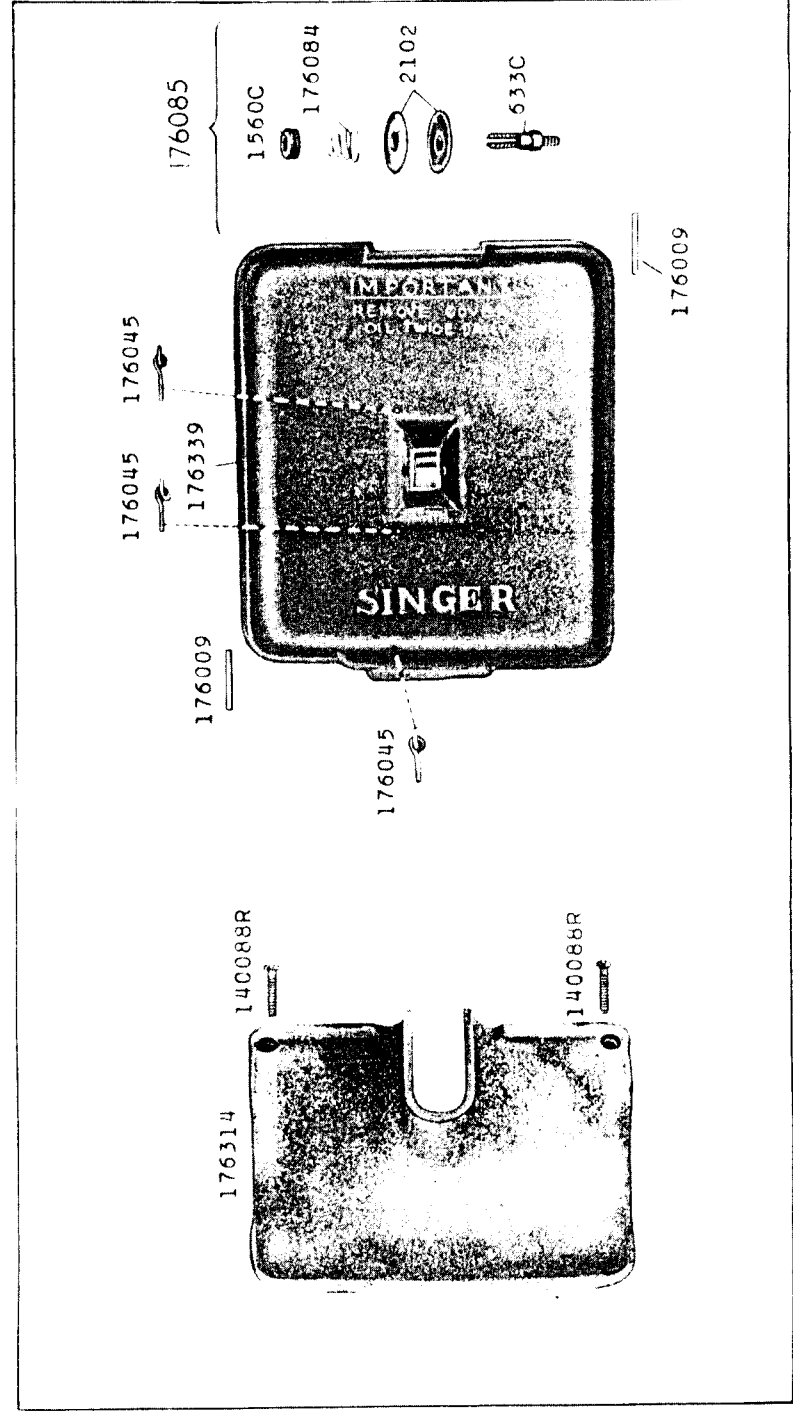
25468-1/3



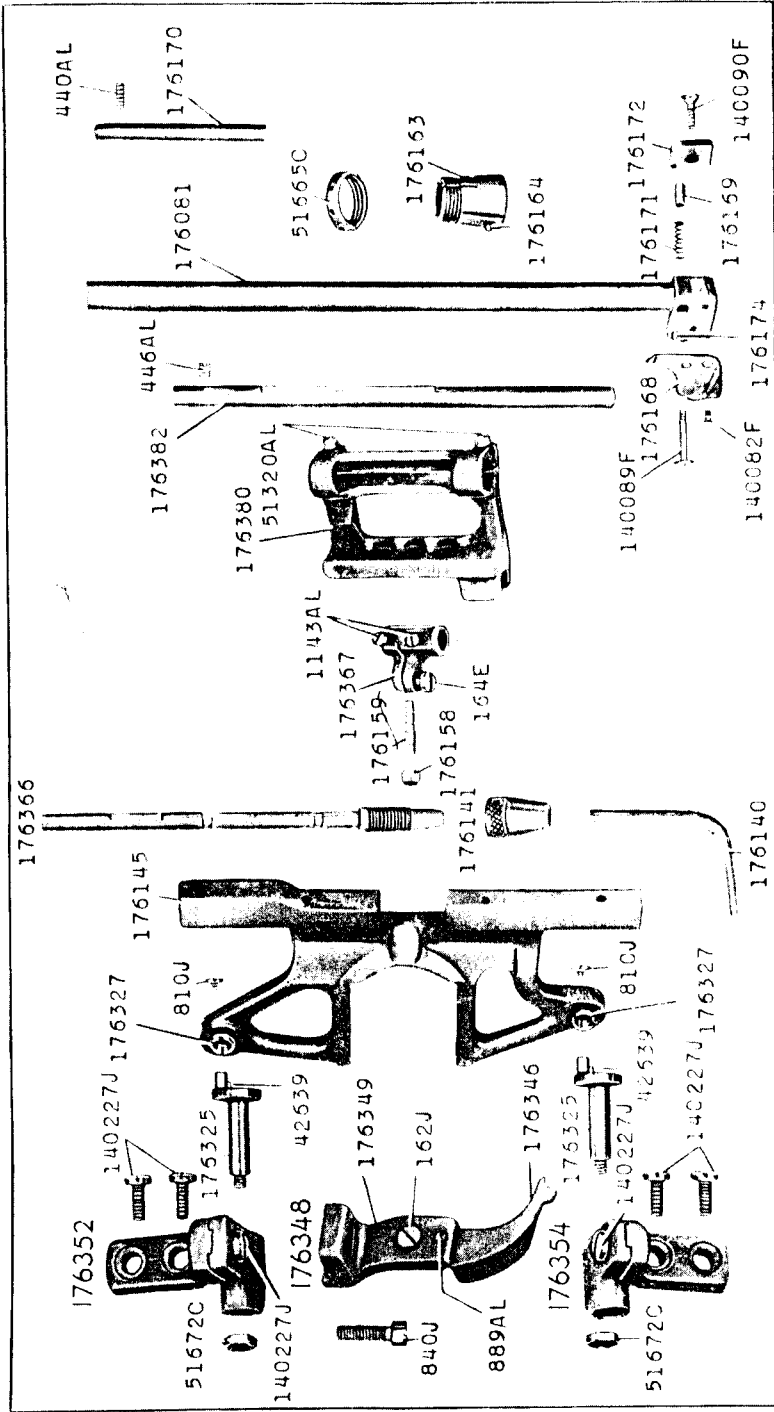
25469-1/3



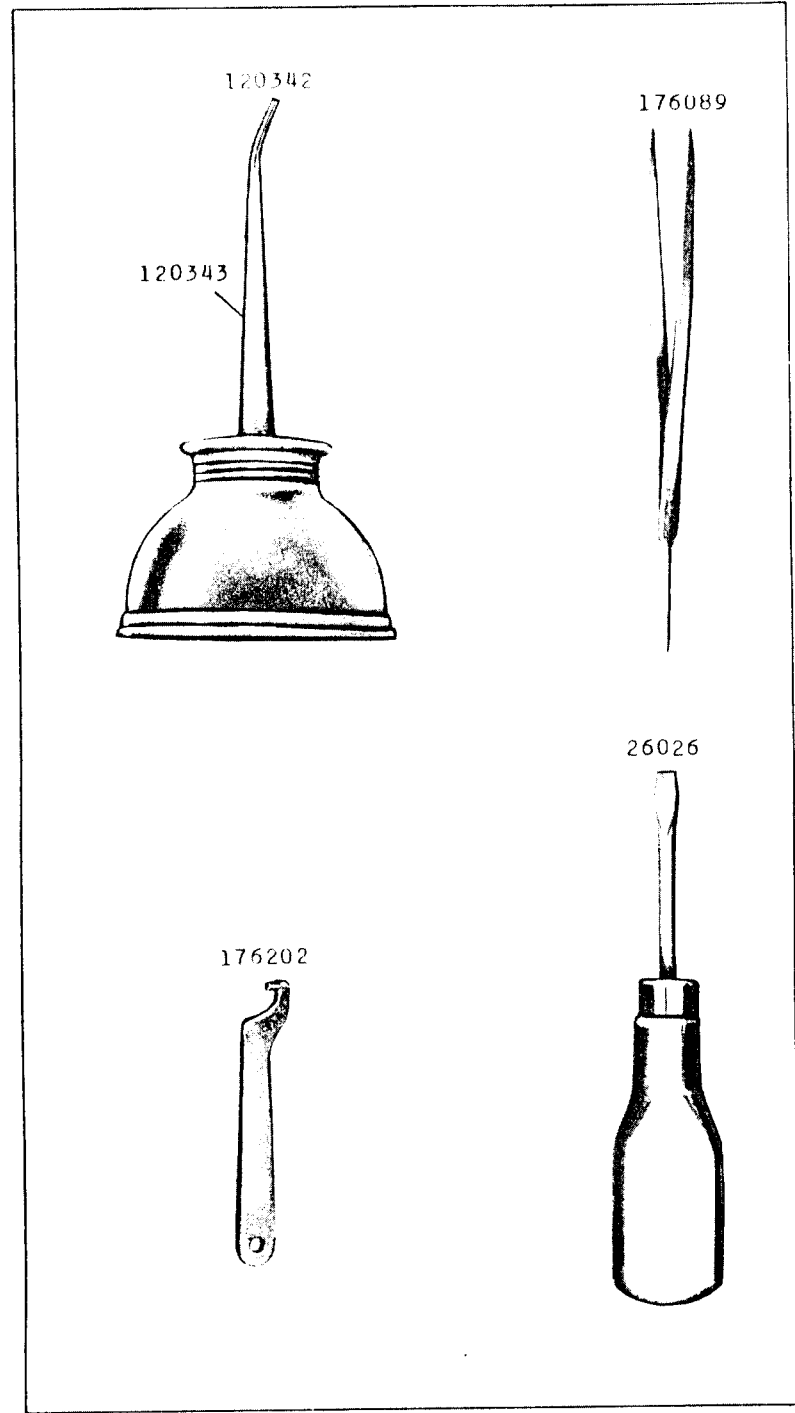
25470-1/3



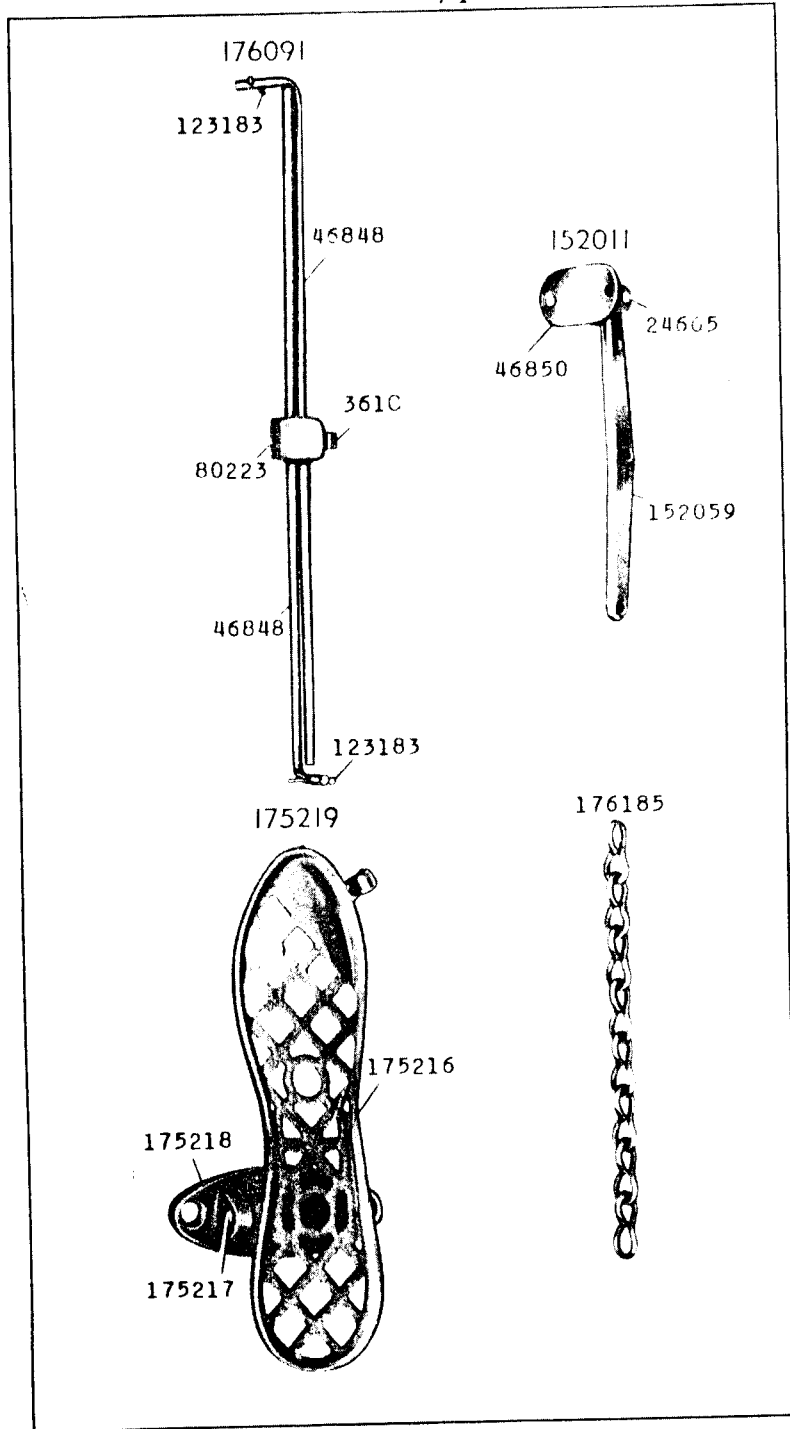
25471-1/3



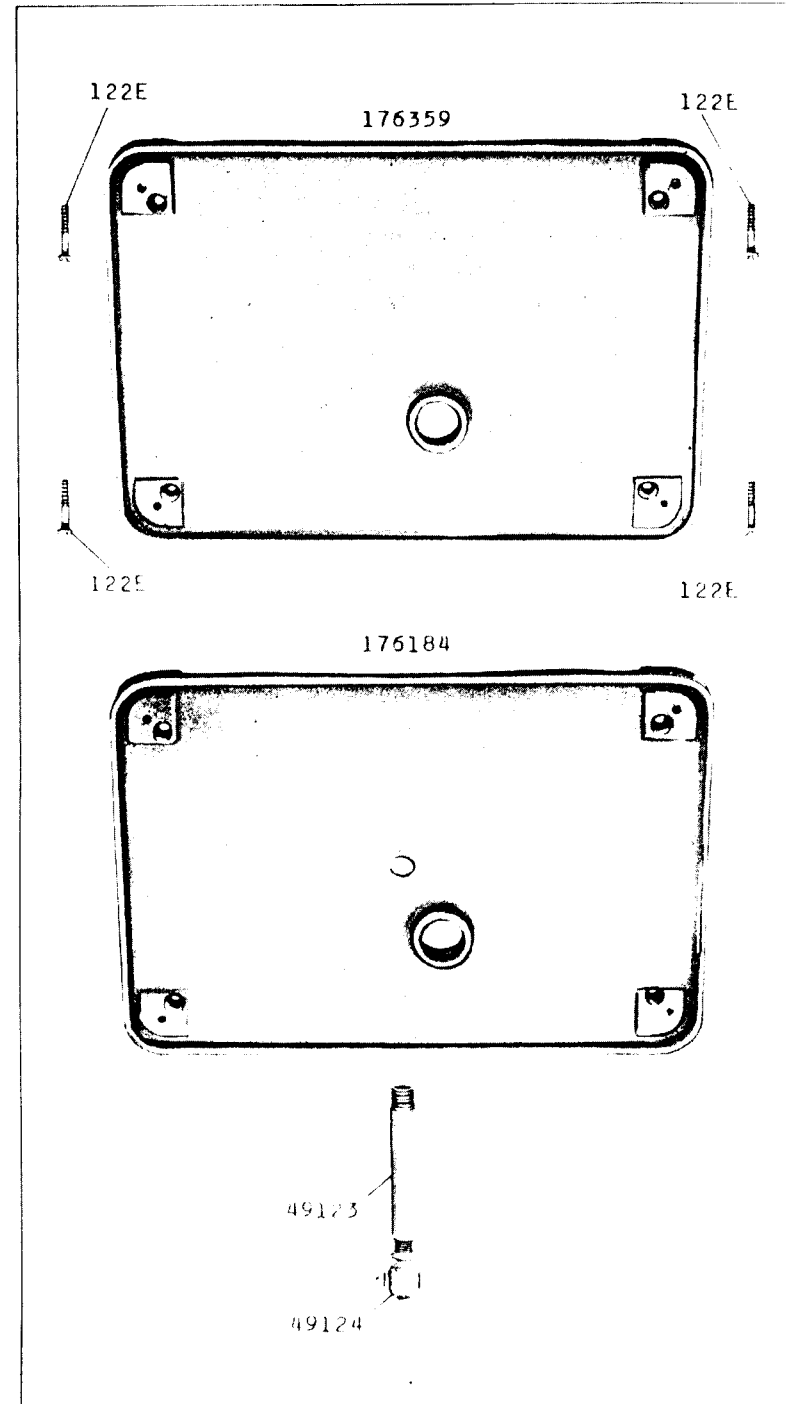
25472-1/2



25473-1/4



25474-1/4



25475-1/3

