

MACHINE PARTS CHART

for

SINGER*

431 F200A

NUMERICAL LIST OF PARTS FOR MACHINE 431F200A

PART NO.	DESCRIPTION	PART NO.	DESCRIPTION
691-845	Throat Plate Screw (2)	410542	Oscillating Shaft Crank Slide Block Complete, Nos. 410593, 543824-001 and 544313
2102	Tension Disc (2)	410544	Feed and Feed Lifting Eccentric with two 545313
2996	Shuttle Bobbin	410546	Feed and Feed Lifting Eccentric Sleeve
11170	Presser Bar Spring Washer	410547	Feed Forked Connection Complete, Nos. 52165, 154759, 154981 and 410548
12393	Shuttle Body		
12431-452	Bed Slide		
12481	Feed dog	410548	Feed Forked Connection
12482-452	Throat Plate	410549	Feed Rock Shaft Complete, Nos. 410550 and 505335
15287-702	Bobbin Winder Pulley Friction Ring	410550	Feed Rock Shaft
19367	Vibrating Presser Bar Cap	410551	Feed Bar
19369	Vibrating Presser Bar Spring	410552	Feed Lifting Rock Shaft Crank Connecting Rod with two 545059
19370	Vibrating Presser Foot		
32758	Thread Take-up Spring	410554	Feed Lifting Rock Shaft Complete, Nos. 410555 and 410660
44269	Lifting Presser Foot	410555	Feed Lifting Rock Shaft
52016	Presser Bar Lifter	410564	Shuttle Bobbin Case Complete, Nos. 410565, 410663 to 410665, 504033 and 505356
52024	Thread Take-up Lever Link	410565	Shuttle Bobbin Case and Shuttle Bobbin Case Position Finger Complete
52165	Feed Connecting Link	410568	Presser Bar Lifting Lever Connecting Rod
52239	Arm Spool Pin and Thread Eyelet	410572-001	Thread Take-up Lever Oil Pipe 543811-003 with 543817-001
52454	Thread Retainer	410572-002	Feed Forked Connection Oil Pipe 543811-005 with 543817-002
99665	Lifting Presser Bar	410572-002	Thread Take-up Lever Link Oil Pipe 543811-005 with 543817-002
99686	Arm Shaft Flanged Bushing (back) Oil Pad (felt)	410572-003	Arm Shaft Bushing (center) Oil Pipe 543811-007 with 543817-003
99691	Tension Regulating Thumb Nut Washer	410572-003	Arm Shaft Flanged Bushing (front) Oil Pipe 543811-007 with 543817-003
107194	Crank Connecting Rod Cap Oil Pad (felt)	410572-004	Lifting Presser Bar Bell Crank Driving Arm Eccentric Connection Oil Pipe 543811-008 with 543817-004
125044	Feed Lifting Rock Shaft Crank Connecting Rod Oil Pad (felt)	410572-004	Thread Take-up Crank Oil Pipe 543811-008 with 543817-004
125314	Tension Spring	410573	Thread Take-up Lever Guard
140411	Arm Shaft Screw	410574	Thread Take-up Crank
143058	Needle Bar Connecting Stud Slide Block	410575	Needle Bar Thread Guard and Needle Clamp Complete, Nos. 410576, 504114 and 505638
146610	Presser Bar Lifting Lever Spring	410576	Needle Bar Thread Guard
154759	Crank Connecting Rod Hinge Screw	410577	Balance Weight
154759	Feed Connecting Link Hinge Screw	410578	Shuttle Race Body
154759	Feed Forked Connection Hinge Screw	410579	Shuttle Race Gate Latch (left)
154759	Feed Lifting Rock Shaft Crank Connecting Rod Hinge Screw	410580	Shuttle Race Gate Latch (right)
154759	Lifting Presser Bar Bell Crank Driving Arm Eccentric Connection Hinge Screw	410581	Shuttle Race Gate Complete (lower and upper) with two 544378
154781	Oscillating Rock Shaft Hinge Pin Set Screw	410584	Bell Crank
154781	Thread Take-up Spring Regulator Set Screw	410585	Bell Crank Spring
154785	Shuttle Race Cap Screw (2)	410586	Bell Crank Hinge Pin
154884	Bed Slide Spring	410587	Rock Shaft Complete
154981	Crank Connecting Rod Hinge Screw Nut	410590	Rock Shaft Lifting Arm with 504105, 544167-003 and 544312
154981	Feed Connecting Link Hinge Screw Nut	410593	Oscillating Shaft Crank Slide Block
154981	Feed Forked Connection Hinge Screw Nut	410608	Shuttle Race and Shuttle Body Complete, Nos. 12393 and 410610
154981	Feed Lifting Rock Shaft Crank Connecting Rod Hinge Screw Nut	410610	Shuttle Race Complete, Nos. 410581 and 410612
154981	Lifting Presser Bar Bell Crank Driving Arm Eccentric Connection Hinge Screw Nut	410612	Shuttle Race Body Complete, Nos. 410578 to 410580, 410614, and two each 154785 and 544311
154981	Oscillating Shaft Crank Slide Block Screw Stud Nut	410614	Shuttle Race Cap
154789	Bed Slide Spring Screw (2)	410619	Face Plate
408074	Bobbin Winder Bracket Regulating Plate Spring	410620	Lifting Presser Bar Guide Bracket and Side Plate
409213	Bobbin Winder Spindle Thread Guard Wave Washer	410622	Lifting Presser Bar Bell Crank
410084	Bobbin Winder Latch Stud	410623	Vibrating Presser Bar
410509	Arm Top Cover Complete, Nos. 15287-702, 408074, 409213, 410084, 410510, 410511, 410513, 410572-002, 410657, 410670, 543802-004, 544212-001, 544233, 546846, 546847, 546865 and 546895	410624	Vibrating Presser Bar Cushion
410509	Arm Top Cover Complete, Nos. 15287-702, 408074, 408274, 410510, 410511, 410513, 410572-002, 410657, 544212-001, 544233, 546846, 546847, 546850, 546865 and 546895	410625	Lifting Presser Bar Bell Crank Connecting Link
410510	Arm Top Cover	410626	Lifting Presser Bar Bell Crank Oil Wick Holder 410627 with 545859
410511	Bobbin Winder Bracket Complete	410627	Lifting Presser Bar Bell Crank Oil Wick Holder
410513	Bobbin Winder Stopper	410628	Lifting Presser Bar Bell Crank Driving Arm with 504134
410514	Needle Bar (hollow)	410630	Lifting Presser Bar Bell Crank Driving Arm Shaft
410515	Needle Bar Bushing (lower)	410631	Lifting Presser Bar Bell Crank Driving Arm Shaft Bracket
410516	Thread Take-up Complete, Nos. 52024, 143058, 410517, 410520, 410521, 410574, 504057 and 544881	410632	Lifting Presser Bar Guide Bracket Support
410517	Thread Take-up lever Complete	410633	Lifting Presser Bar Bell Crank Driving Arm Eccentric Connection
410520	Thread Take-up Lever Link Hinge Stud	410634	Presser Bar Lifter Stud
410521	Needle Bar Connecting Link	410635	Presser Bar Lifting Lever Link
410522	Tension Complete, Nos. 32758, 99691, 125314, 540672, 540684, 545404-451, 545493, 545898, 546927 and two 2102	410636	Needle Bar Crank and Lifting Eccentric with 504095 and 504101
410523	Arm Shaft	410639	Presser Bar Lifting Lever
410526	Arm Shaft Flanged Bushing (front)	410657	Bobbin Winder Latch with 544211-053
410527	Arm Shaft Bushing (center)	410660	Feed Lifting Rock Shaft Crank with 505633 and 545043
410528	Arm Shaft Flanged Bushing (back)	410663	Shuttle Tension Spring
410529	Machine Pulley with two 504119		
410531	Crank Connecting Rod with two 545059		
410534	Oscillating Rock Shaft		
410535	Oscillating Rock Shaft Hinge Pin with 543817-001		
410537	Oscillating Shaft		
410538	Shuttle Driver with two 504101		
410540	Oscillating Shaft Crank with 154981, 410542 and 504134		

NUMERICAL LIST OF PARTS FOR MACHINE 431F200A

PART NO.	DESCRIPTION	PART NO.	DESCRIPTION
410664	Shuttle Bobbin Case Latch	543811-008	Lifting Presser Bar Bell Crank Driving Arm Eccentric Connection Oil Pipe
410665	Shuttle Bobbin Case Latch Lever	543811-008	Thread Take-up Crank Oil Pipe
410666	Feed Regulator with 545136	543817-001	Oscillating Rock Shaft Hinge Pin Oil Wick
410669	Shuttle Race, Shuttle Body and Shuttle Bobbin Case Complete. Nos. 410564 and 410608	543817-001	Thread Take-up Lever Oil Pipe Wick
410670	Bobbin Winder Spindle Thread Guard	543817-002	Feed Forked Connection Oil Pipe Wick
410671	Oscillating Rock Shaft Oil Pad (felt)	543817-002	Thread Take-up Lever Link Oil Pipe Wick
410673	Face Plate Complete. Nos. 410619, 410674 and 544782	543817-003	Arm Shaft Bushing (center) Oil Pipe Wick
410674	Face Plate Plug (large)	543817-004	Arm Shaft Flanged Bushing (front) Oil Pipe Wick
410676	Needle Bar Bushing (lower) Thread Eyelet	543817-004	Lifting Presser Bar Bell Crank Driving Arm Eccentric Connection Oil Pipe Wick
504002	Arm Shaft Bushing (center) Set Screw	543817-004	Thread Take-up Crank Oil Pipe Wick
504002	Arm Shaft Flanged Bushing (back) Set Screw	543824-001	Oscillating Shaft Crank Slide Block Ring
504002	Arm Shaft Flanged Bushing (front) Set Screw	543825-001	Feed Regulator Hinge Screw Washer
504002	Thread Take-up Lever Link Hinge Stud Set Screw	544054	Arm Screw (back) (2)
504010-451	Thread Take-up Lever Guard Screw	544066	Face Plate Screw (lower) (2)
504019	Feed Rock Shaft Crank Clamping Screw	544203-001	Bobbin Winder Tension Set Screw
504019	Lifting Presser Bar Guide Bracket Support Screw (2)	544211-053	Bobbin Winder Latch Screw
504028	Lifting Presser Bar Guide Bracket Screw	544212-001	Bobbin Winder Stopper Screw
504033	Shuttle Tension Regulating Screw	544213-002	Bobbin Winder Regulator Set Screw
504047	Tension Stud Set Screw	544233	Bobbin Winder Bracket Hinge Screw
504051	Feed Dog Screw (2)	544249	Presser Bar Lifting Lever Hinge Screw
504051	Lifting Presser Bar Bell Crank Oil Wick Holder Screw	544266	Feed Regulator Hinge Screw
504051	Vibrating Presser Bar Spring Screw	544310	Balance Weight Screw
504057	Needle Bar Connecting Link Cap Screw	544311	Shuttle Race Gate Latch Hinge Screw (2)
504068	Feed Bar Screw Center (2)	544312	Rock Shaft Lifting Arm Adjusting Screw
504072	Feed Lifting Rock Shaft Screw Center (2)	544313	Oscillating Shaft Crank Slide Block Screw Stud
504072	Feed Rock Shaft Screw Center (2)	544368	Arm Screw (front) (2)
504083	Presser Bar Guide and Pressure Regulating Thumb Screw	544378	Shuttle Race Gate Screw (2)
504094	Thread Retainer Set Screw	544390	Lifting Presser Bar Bell Crank Driving Arm Hinge Screw
504095	Thread Take-up Crank Set Screw (long)	544390	Lifting Presser Bar Bell Crank Hinge Screw (3)
504099	Arm Top Cover Screw (2)	544782	Face Plate Plug (small)
504100	Presser Bar Lifting Lever Connecting Rod Joint Hinge Screw	544881	Needle Bar Connecting Stud with 549380
504101	Shuttle Driver Set Screw (2)	544950	Tension Thread Retainer
504101	Thread Take-up Crank Set Screw (short)	544980	Tension Releasing Lever
504105	Rock Shaft Lifting Arm Set Screw	545040	Face Plate Screw (upper)
504105	Rock Shaft Stop Dog Set Screw	545043	Feed Lifting Rock Shaft Crank Clamping Screw
504113	Needle Clamp Screw	545059	Crank Connecting Rod Cap Screw (2)
504114	Needle Bar Thread Guard Screw	545059	Feed Lifting Rock Shaft Crank Connecting Rod Cap Screw (2)
504119	Machine Pulley Set Screw (2)	545112	Vibrating Presser Bar Cap Screw
504120	Needle Bar Crank Position Screw	545136	Feed Connecting Link Hinge Stud Set Screw
504129	Needle Bar Bushing (lower) Set Screw	545313	Feed and Feed Lifting Eccentric Set Screw (2)
504129	Needle Bar Bushing (upper) Set Screw	545314	Lifting Presser Foot Screw
504129	Presser Bar Lifter Stud Set Screw	545314	Vibrating Presser Foot Screw
504134	Lifting Presser Bar Bell Crank Driving Arm Set Screw	545325	Lifting Presser Bar Guide Bracket Side Plate Screw (2)
504134	Oscillating Shaft Crank Set Screw	545404-451	Tension Regulating Thumb Nut Lock Nut
504159-452	Tension Thread Retainer Screw	545493	Tension Regulating Thumb Nut
504504	Feed Lifting Rock Shaft Screw Center Nut (2)	545796	Feed Connecting Link Stud
504504	Feed Rock Shaft Screw Center Nut (2)	545841	Needle Bar Bushing (upper)
504509	Presser Bar Lifting Lever Connecting Rod Lock Nut	545859	Lifting Presser Bar Bell Crank Oil Wick
505001	Arm Dowel Pin (2)	545898	Tension Stud
505008	Arm Spool Pin Washer (felt)	545901	Thread Eyelet (side of arm)
505151	Tension Releasing Lever Hinge Pin	545922	Rock Shaft Stop Dog with 504105
505152	Tension Releasing Lever Spring	546846	Bobbin Winder Bracket Regulating Plate
505317-452	Bed Slide Complete. Nos. 12431-452, 154884 and two 154789	546847	Bobbin Winder Bracket Spring
505335	Feed Rock Shaft Crank with 504019	546865	Bobbin Winder Regulator with 544213-002
505356	Shuttle Bobbin Case Latch Spring	546895	Bobbin Winder Bracket Regulating Plate Spring Stud
505387	Presser Bar Lifting Lever Connecting Rod Joint	546927	Thread Take-up Spring Regulator with 504047
505402	Feed Bar Screw Center Nut (2)	547242	Bobbin Winder Tension Complete. Nos. 541170, 54724 and two 547247
505407	Feed Bar Screw Center 504068 with 504502 (2)	547243	Bobbin Winder Tension Stud Complete
505408	Feed Lifting Rock Shaft Screw Center 504072 with 504504 (2)	547246	Bobbin Winder Tension Spring
505408	Feed Rock Shaft Screw Center 504072 with 504504 (2)	547247	Bobbin Winder Tension Disc (2)
505575	Presser Bar Spring	548170	Lifting Presser Bar Bell Crank Driving Arm Pin
505633	Feed Lifting Rock Shaft Crank Slide Block and Stud	548170	Oscillating Shaft Crank Pin
505638	Needle Clamp with 504113	549028	Lifting Presser Bar Bell Crank Driving Arm Shaft Bracket Screw (2)
540549	Thread Guard (side of arm)	549087	Shuttle Race Set Screw
540672	Tension Releasing Disc	549128	Feed Regulator Thumb Screw
540684	Tension Releasing Pin	549336	Thread Eyelet (side of arm) Screw
540703	Needle Bar Bushing (upper) Felt	549380	Thread Guard (side of arm) Screw
541167-003	Rock Shaft Lifting Arm Adjusting Screw Lock Nut	CAT.3866	Needle Bar Connecting Stud Clamping Screw
541170	Bobbin Winder Tension Nut		Needle (16x113 = 16)
543802-004	Bobbin Winder Spindle Thread Guard Retaining Ring		
543805-005	Balance Weight Screw Washer		
543811-003	Thread Take-up Lever Oil Pipe		
543811-005	Feed Forked Connection Oil Pipe		
543811-005	Thread Take-up Lever Link Oil Pipe		
543811-007	Arm Shaft Bushing (center) Oil Pipe		
543811-007	Arm Shaft Flanged Bushing (front) Oil Pipe		

NUMERICAL LIST OF PARTS FOR MACHINE 431F200A

PART NO. DESCRIPTION

ACCESSORIES AND ATTACHMENTS

2996	Shuttle Bobbin (2)
41400	Machine Rest Pin (wood)
161294-451	Screw Driver (large)
161295-451	Screw Driver (small)
410569	Drip Pan
410570	Machine Rest (front) (2)
410571	Machine Rest (back) (2)
504030	Cloth Guide Screw
505656-001	Thread Unwinder (for two spools) Complete (include three wood screws)
540522	Machine Hinge Connection (2)
540523	Machine Hinge Connection Cushion (2)
541515-001	Cloth Guide
546920	Drip Pan Wire Nail (4)
546920-002	Machine Rest Nail (4)
546923	Oiler with Oil Spout (130 cc filled with Singer Type "B" Oil)
CAT.3866	Needle (16x113 #16) (3)
CAT.3866	Needle (16x113 #13) (3)

KNEE LIFTER PARTS

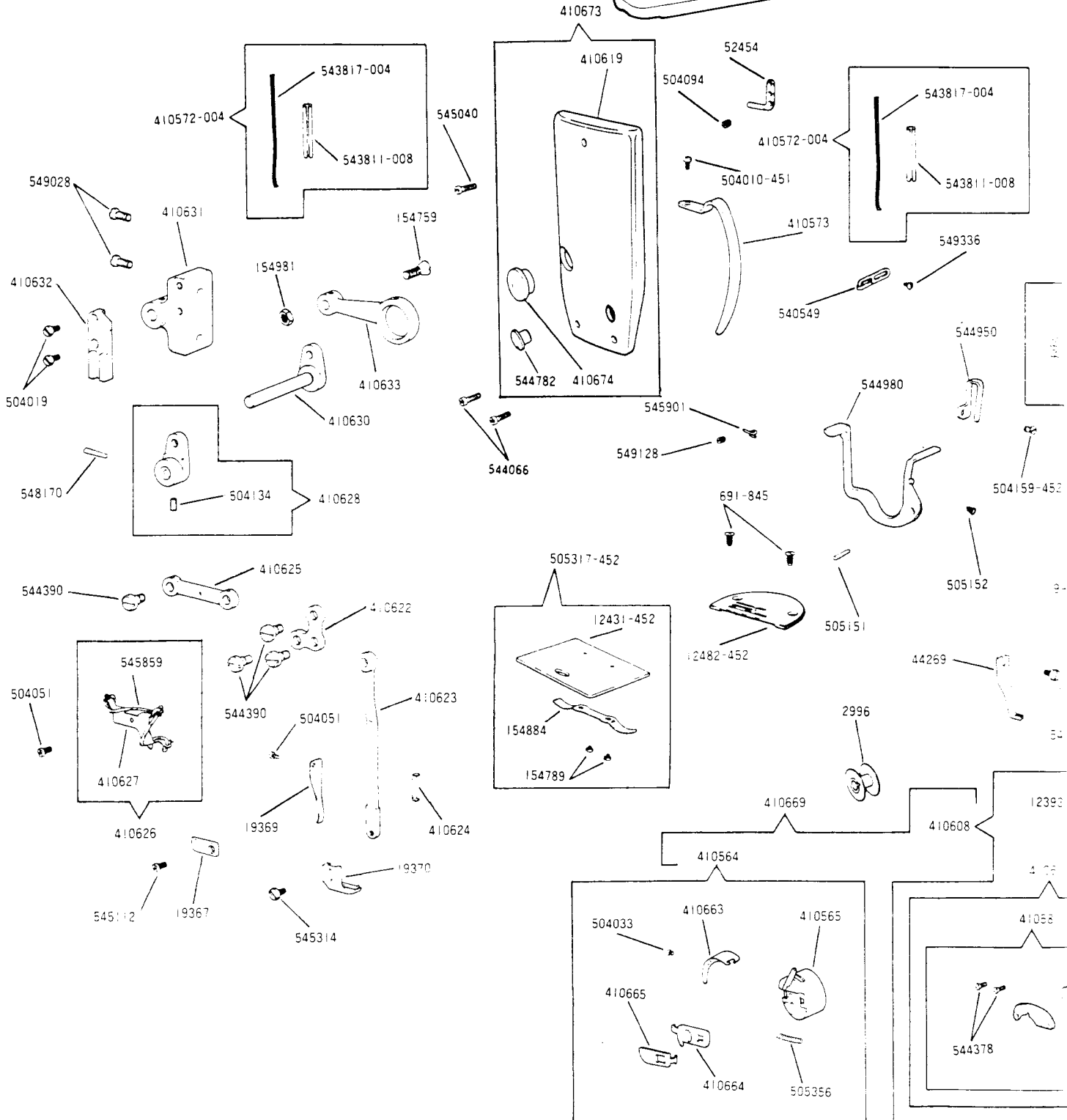
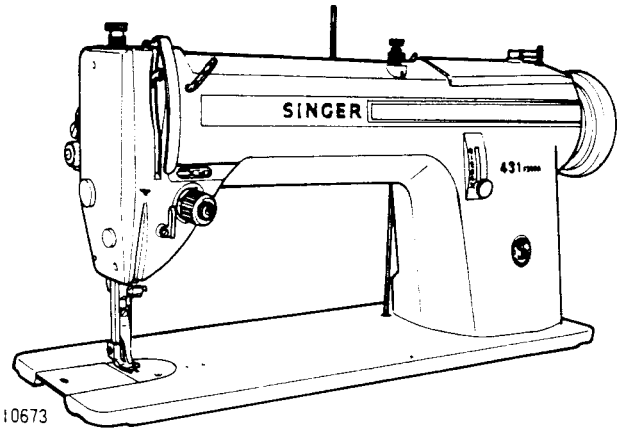
410592	Rock Shaft Knee Arm Joint Complete, Nos. 410594, 410595, 504105 and 544212-051
410594	Rock Shaft Knee Arm Joint
410595	Rock Shaft Knee Arm Joint Spring
410597	Rock Shaft Knee Arm Complete, Nos. 410598 and 505402
410598	Rock Shaft Knee Arm
504105	Rock Shaft Knee Arm Set Screw
504105	Rock Shaft Knee Plate Set Screw
505402	Rock Shaft Knee Plate with 504105
544212-051	Rock Shaft Knee Arm Joint Spring Screw

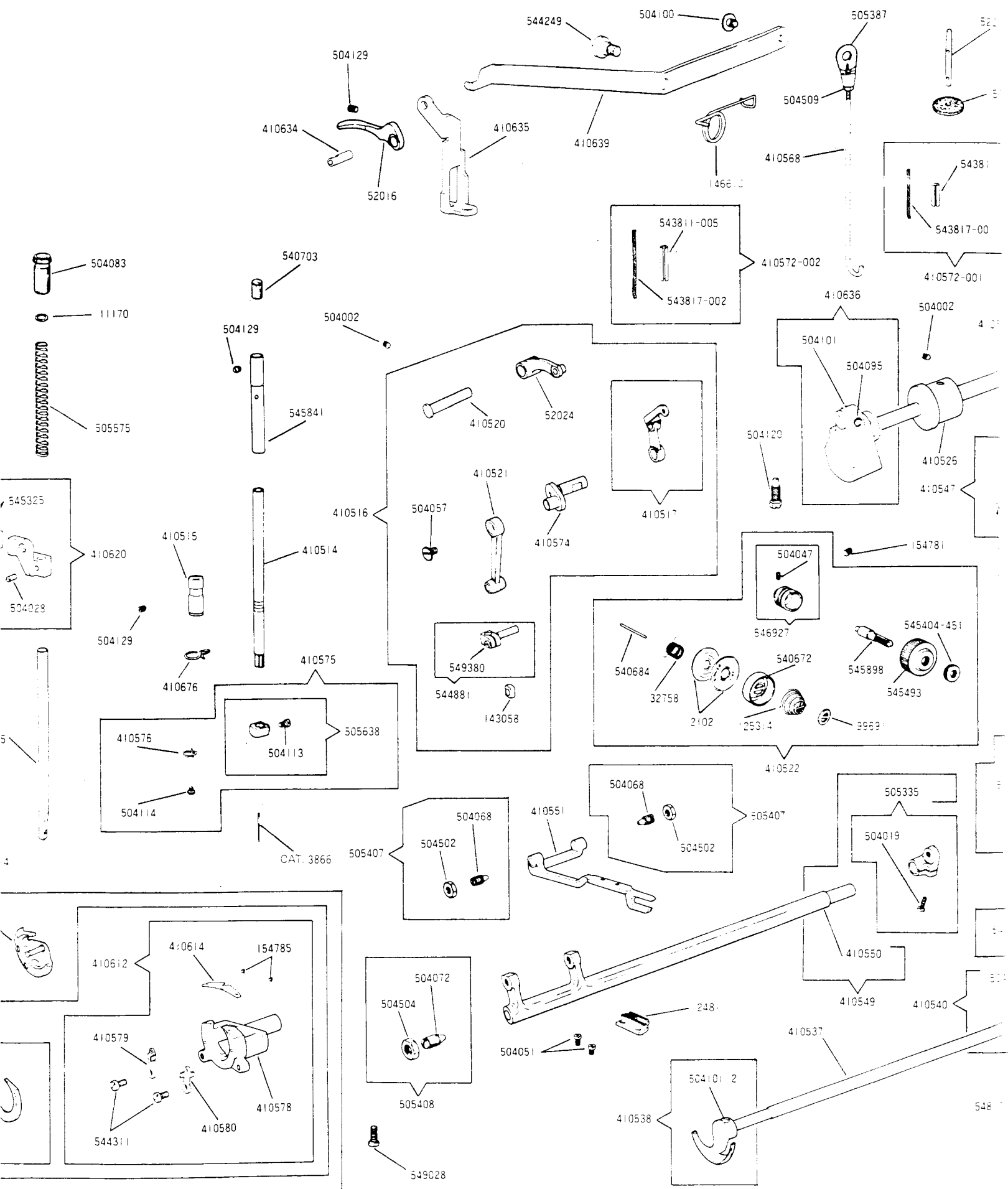
AVAILABLE AT EXTRA CHARGE

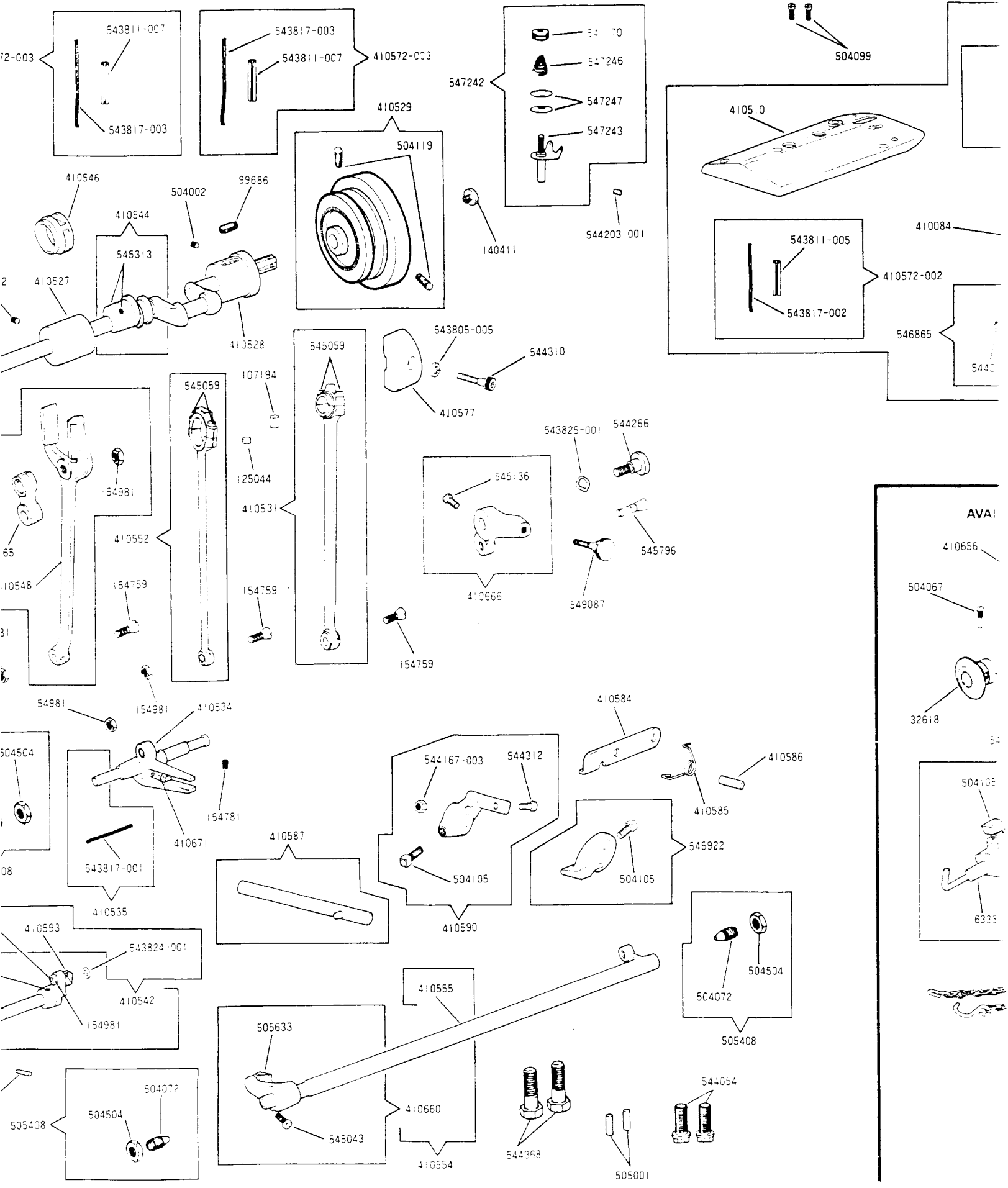
6338	Rock Shaft Lifting Bracket Hook
32618	Clamp Stop Motion Flanged Bushing
154756	Clamp Stop Motion Clamp Stop Screw
410640	Belt Guard Complete (include two wood screws)
410653	Foot Lifter Treadle
410654	Foot Lifter Treadle Guide Complete (2)
410655	Foot Lifter Chain
410656	Machine Pulley
504005-451	Clamp Stop Motion Clamp Screw
504067	Clamp Stop Motion Flanged Bushing Set Screw
504105	Rock Shaft Lifting Bracket Hook Set Screw
504105	Rock Shaft Lifting Bracket Set Screw
505009	Clamp Stop Motion Clamp Washer
505404	Rock Shaft Lifting Bracket
547833	Rock Shaft Lifting Bracket Complete, Nos. 6338, 505404 and two 504105

SINGER*

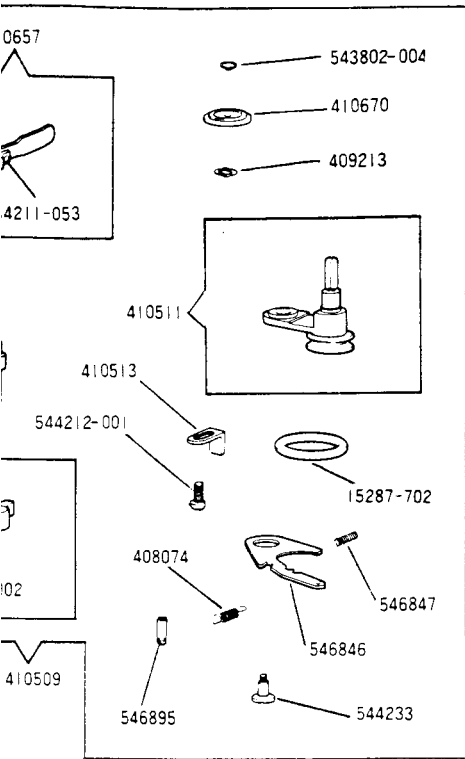
431 F200A



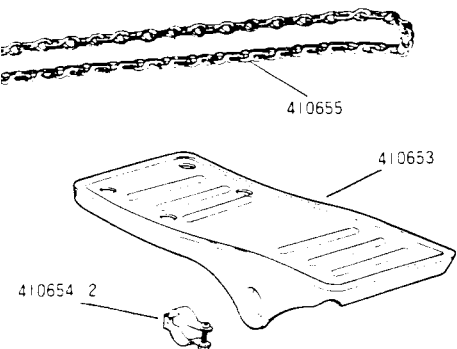
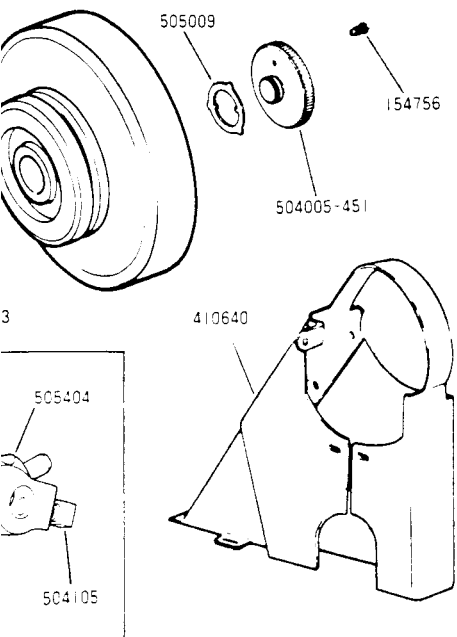




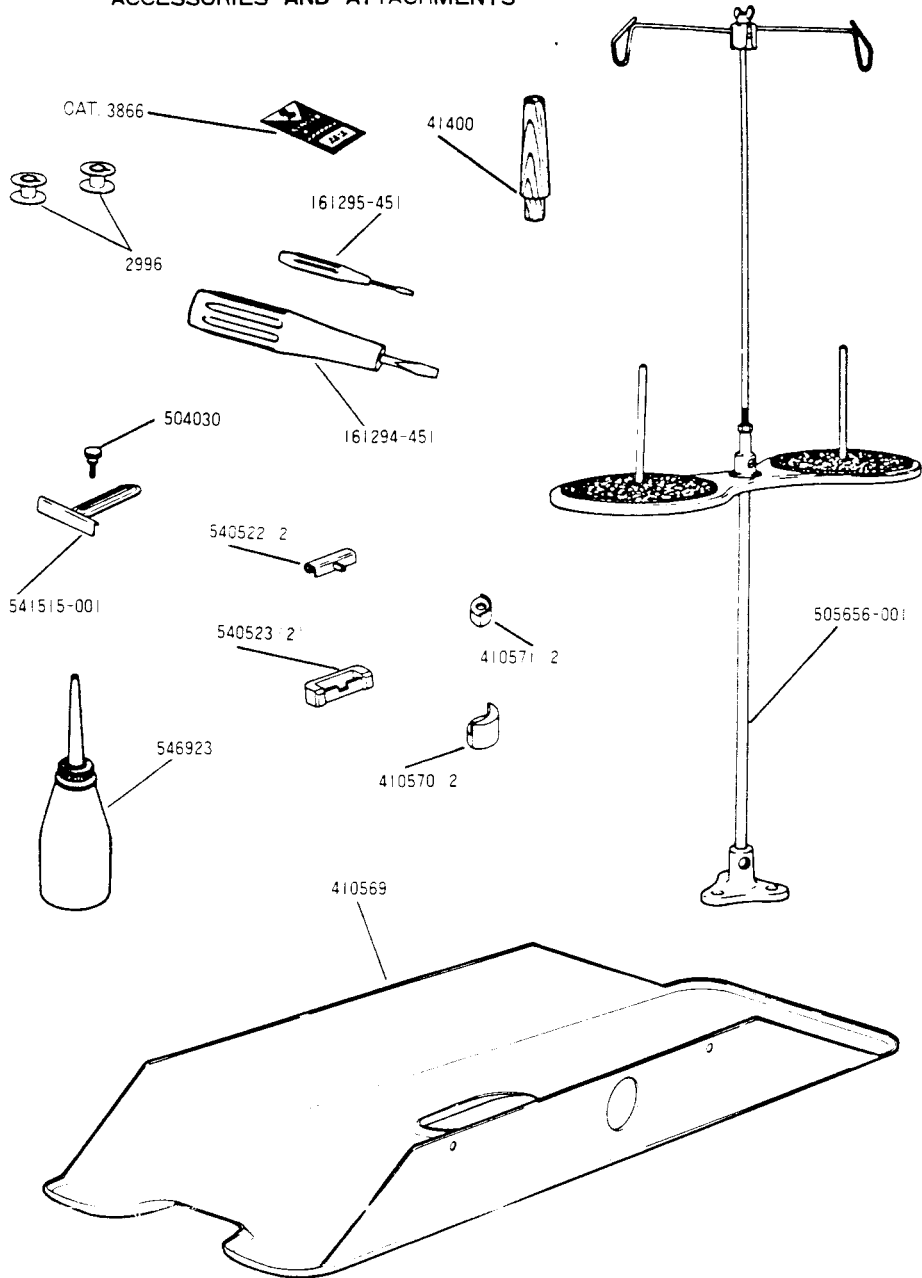
AVAI



BLE AT EXTRA CHARGE



ACCESSORIES AND ATTACHMENTS



KNEE LIFTER PARTS

