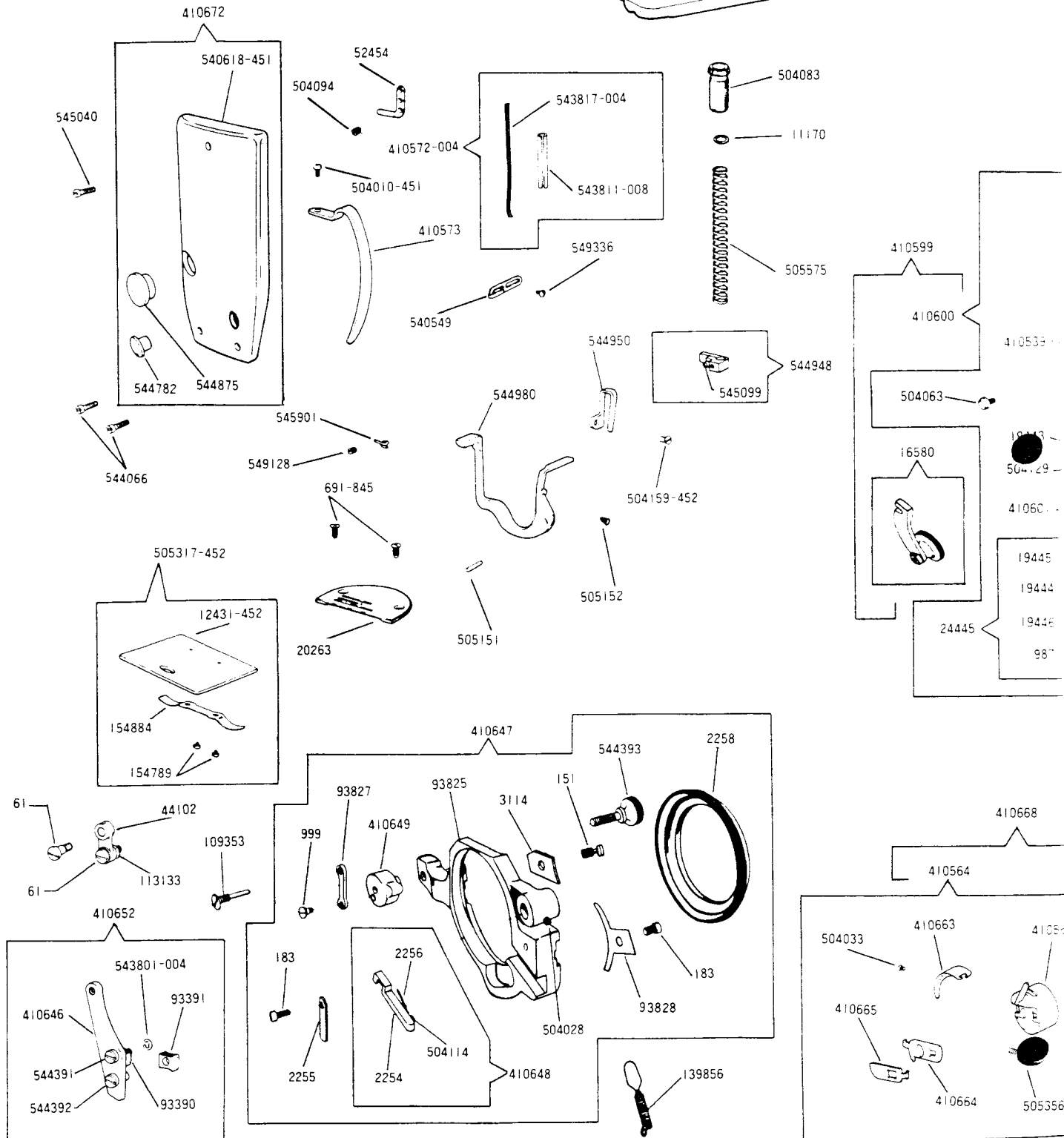
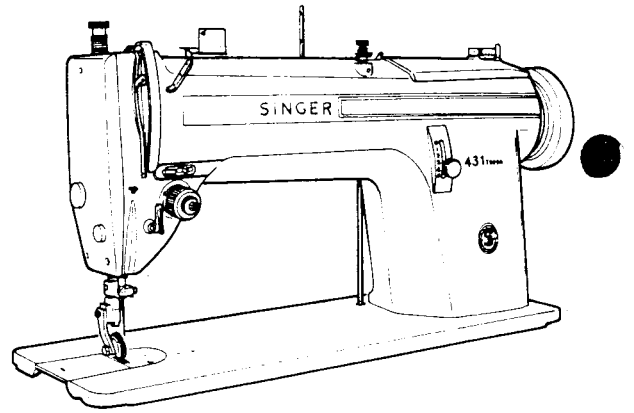


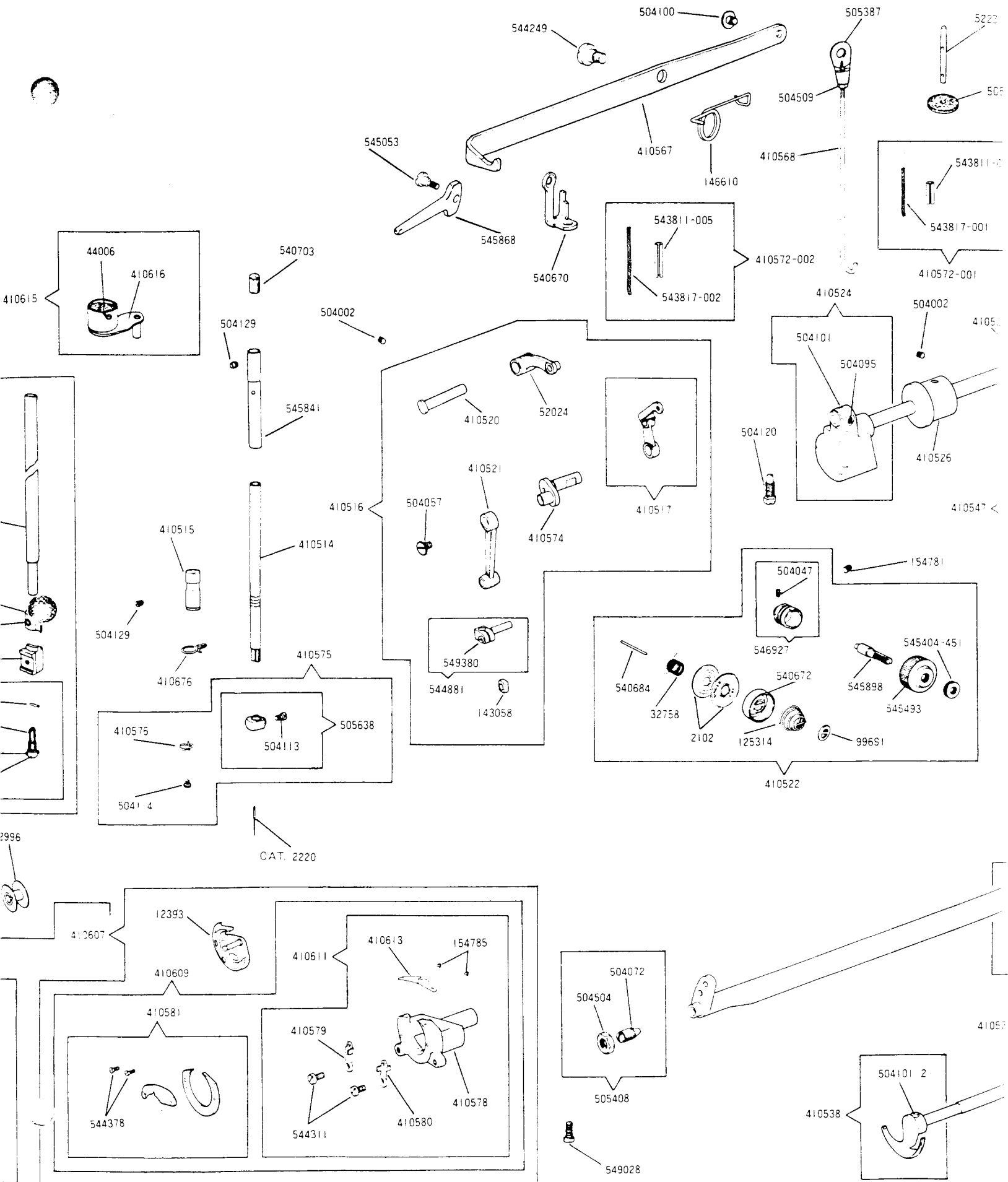
# **MACHINE PARTS CHART** **for** **SINGER\***

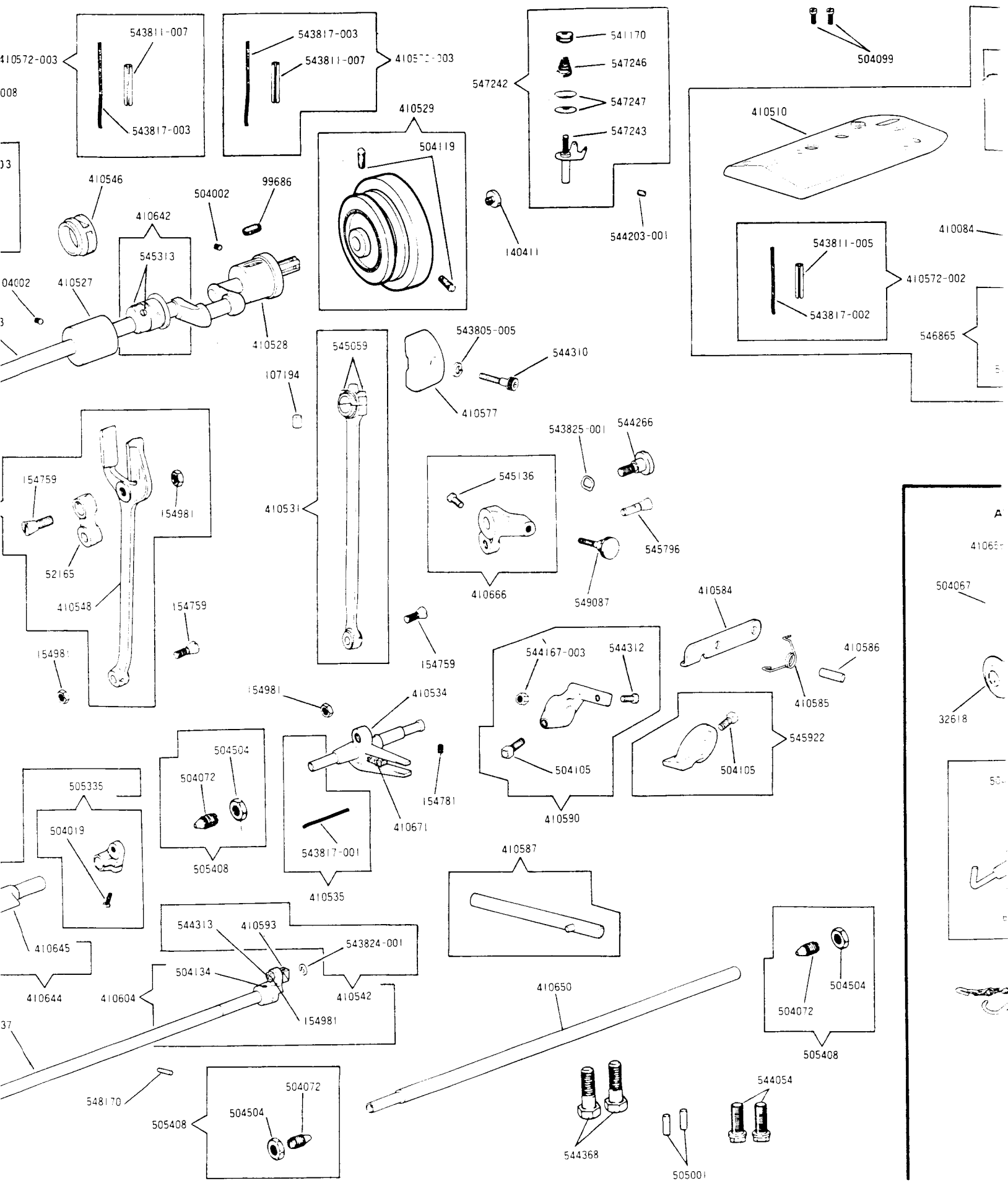
**431 T200A**

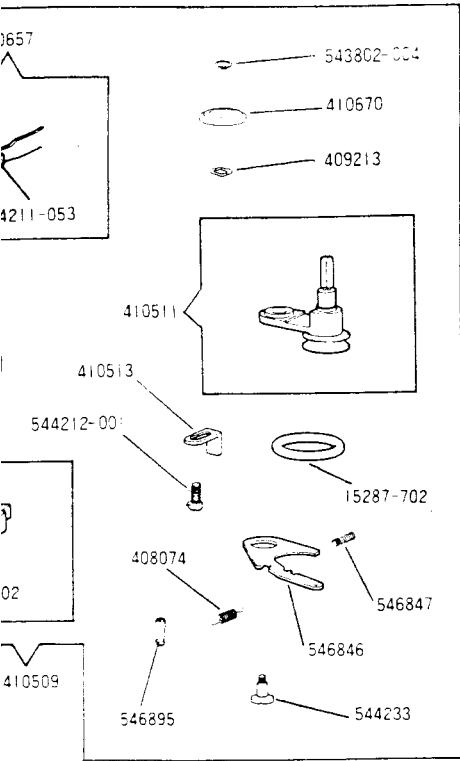
# SINGER\*

## 431 T200A

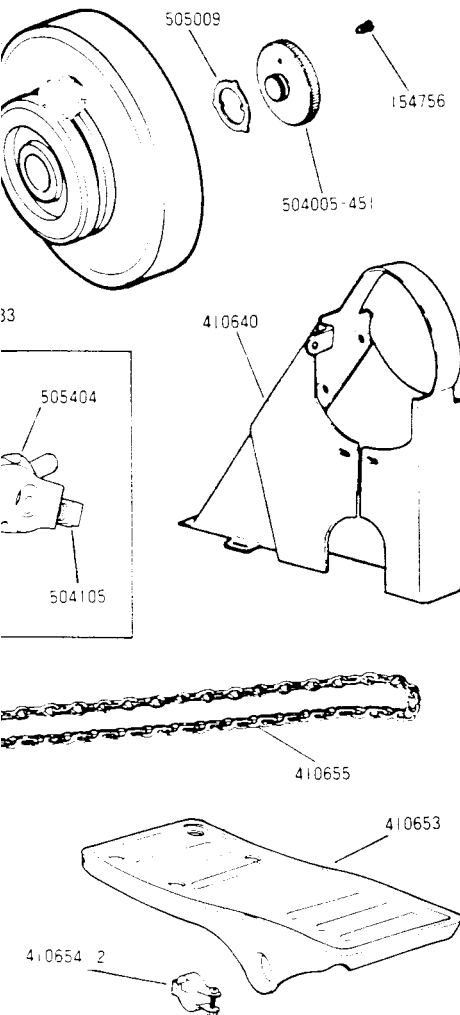




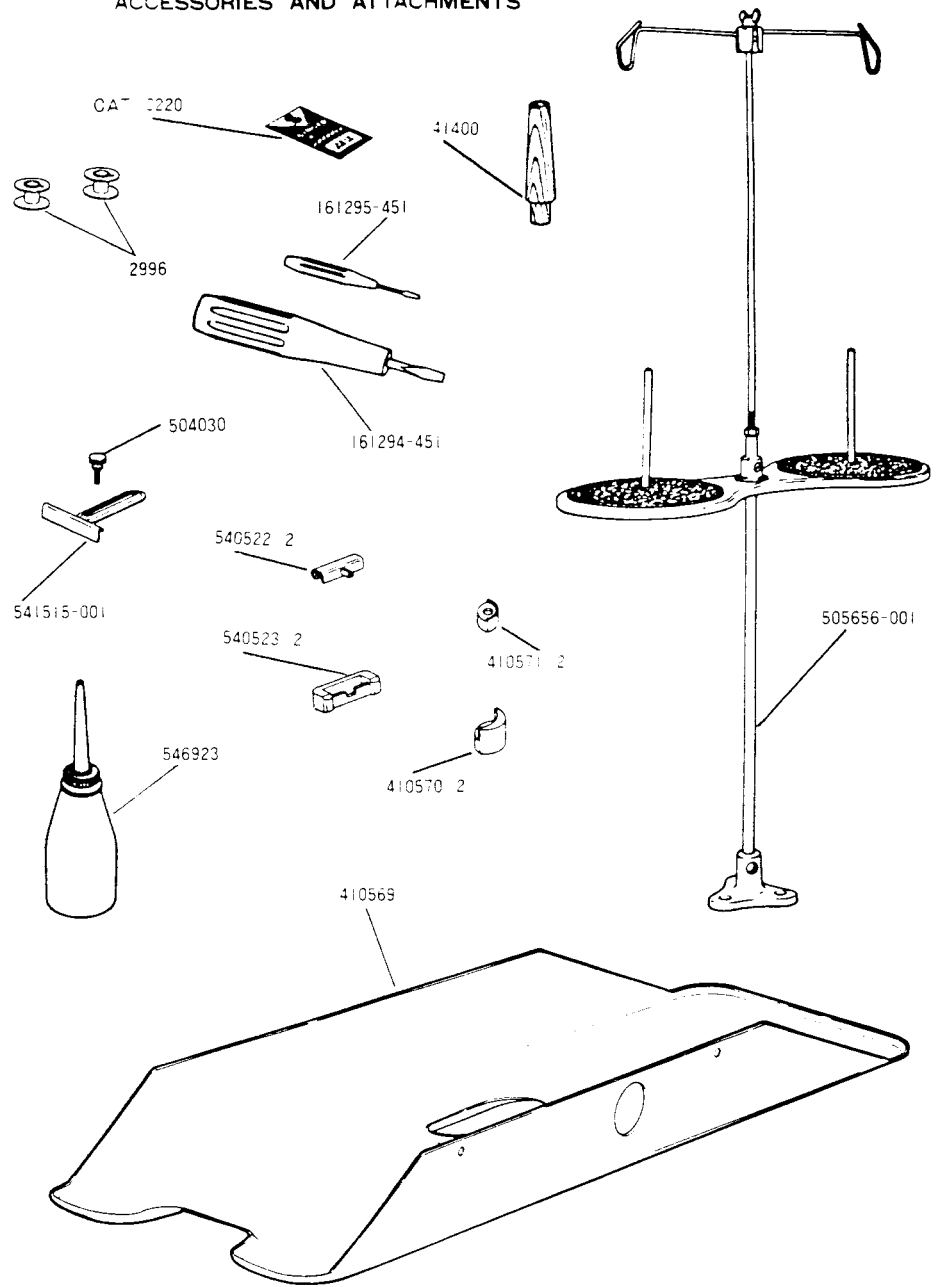




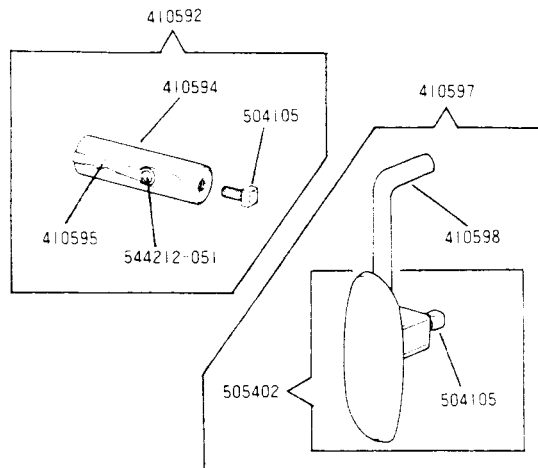
ABLE AT EXTRA CHARGE



ACCESSORIES AND ATTACHMENTS



KNEE LIFTER PARTS



## NUMERICAL LIST OF PARTS FOR MACHINE 431T200A

PART NO	DESCRIPTION	PART NO.	DESCRIPTION
61	Feed Wheel Driver Link Hinge Screw (2)	410531	Crank Connecting Rod with two 545059
151	Feed Wheel Friction Plate Screw	410534	Oscillating Rock Shaft
183	Feed Wheel Friction Spring Screw	410535	Oscillating Rock Shaft Hinge Pin with 543817-001
183	Feed Wheel Retaining Clutch Screw	410537	Oscillating Shaft
691-845	Throat Plate Screw (2)	410538	Shuttle Driver with two 504101
987	Roller Arm Bracket Screw	410539	Presser Bar
999	Feed Wheel Frame Adjuster Link Hinge Screw	410542	Oscillating Shaft Crank Slide Block Complete. Nos. 410593, 543824-001 and 544313
2102	Tension Disc (2)		Feed and Feed Lifting Eccentric Sleeve
2254	Feed Wheel Retaining Clutch	410546	Feed Forked Connection Complete. Nos. 52165, 154759, 154781 and 410548
2255	Feed Wheel Retaining Clutch Cap	410547	Feed Forked Connection
2256	Feed Wheel Retaining Clutch Spring		Shuttle Bobbin Case Complete, Nos. 410565, 410663 to 410665, 504033 and 505356
2258	Feed Wheel	410548	Shuttle Bobbin Case and Shuttle Bobbin Case Position Finger Complete
2996	Shuttle Bobbin	410564	Presser Bar Lifting Lever
3114	Feed Wheel Friction Plate		Presser Bar Lifting Lever Connecting Rod
11170	Presser Bar Spring Washer	410565	Thread Take-up Lever Oil Pipe 543811-003 with 543817-001
12393	Shuttle Body		Feed Forked Connection Oil Pipe 543811-005 with 543817-002
12431-452	Bed Slide	410567	Thread Take-up Lever Link Oil Pipe 543811-005 with 543817-002
15287-702	Bobbin Winder Pulley Friction Ring	410568	Arm Shaft Bushing (center) Oil Pipe 543811-007 with 543817-003
16580	Roller Presser Complete	410572-001	Arm Shaft Flanged Bushing (front) Oil Pipe 543811-007 with 543817-003
19443	Roller Arm Bracket Position Collar		Thread Take-up Crank Oil Pipe 543811-008 with 543817-004
19444	Roller Arm Bracket Spring	410572-002	Thread Take-up Lever Guard
19445	Roller Arm Bracket Spring Pin		Thread Take-up Crank
19446	Roller Arm Bracket Spring Stud	410572-002	Needle Bar Thread Guard and Needle Clamp Complete, Nos. 410576, 504114 and 505638
20263	Throat Plate		Needle Bar Thread Guard
24445	Roller Arm Bracket Screw Complete, Nos. 987 and 19444 to 19446	410572-003	Balance Weight
			Shuttle Race Body
32758	Thread Take-up Spring	410572-003	Shuttle Race Gate Latch (left)
44006	Oil Cup Packing		Shuttle Race Gate Latch (right)
44102	Feed Wheel Driver Link	410572-004	Shuttle Race Gate (lower and upper) with two 544378
52024	Thread Take-up Lever Link		Bell Crank
52165	Feed Connecting Link	410573	Bell Crank Spring
52239	Arm Spool Pin and Thread Eyelet	410574	Bell Crank Hinge Pin
52454	Thread Retainer	410575	Rock Shaft Complete
93390	Feed Wheel Driver Block (inside)		Rock Shaft Lifting Arm with 504105, 544167-003 and 544312
93391	Feed Wheel Driver Block (out side)	410576	Oscillating Shaft Crank Slide Block
93825	Feed Wheel Frame	410577	Presser Bar and Roller Presser Complete, Nos. 16580 and 410600
93827	Feed Wheel Frame Adjuster Link	410578	Presser Bar Complete, Nos. 19443, 24445, 410539, 410601, 504063 and 504129
93828	Feed Wheel Friction Spring	410579	Roller Arm Bracket
99686	Arm Shaft Flanged Bushing (back) Oil Pad (felt)	410580	Oscillating Shaft Crank Complete, Nos. 154981, 410542 and 504134
99691	Tension Regulating Thumb Nut Washer	410581	Shuttle Race and Shuttle Body Complete, Nos. 12393 and 410609
107194	Crank Connecting Rod Cap Oil Pad (felt)		Shuttle Race Complete, Nos. 410581 and 410611
109353	Feed Wheel Frame Adjuster Link Screw Stud	410584	Shuttle Race Body Complete, Nos. 410578 to 410580, 410613 and two each 154785 and 544311
113133	Feed Wheel Driver Link Hinge Screw Nut	410585	Shuttle Race Cap
125314	Tension Spring	410586	Oil Cup and Oil Cup Packing Complete, Nos. 44006 and 410616
139856	Feed Wheel Driver Spring	410587	Oil Cup Complete
140411	Arm Shaft Screw	410590	Feed and Feed Lifting Eccentric with two 545313
143058	Needle Bar Connecting Stud Slide Block		Feed Rock Shaft Complete, Nos. 410645 and 505335
146610	Presser Bar Lifting Lever Spring	410593	Feed Rock Shaft
154759	Crank Connecting Rod Hinge Screw	410599	Feed Wheel Driver
154759	Feed Connecting Link Hinge Screw		Feed Wheel Frame Complete, Nos. 151, 999, 2255, 2258, 3114, 93825, 93827, 93828, 410648, 410649, 504028, 544393 and two 183
154759	Feed Forked Connection Hinge Screw	410600	Feed Wheel Retaining Clutch Complete, Nos. 2254, 2256 and 504114
154781	Oscillating Rock Shaft Hinge Pin Set Screw		Feed Wheel Frame Adjuster
154781	Thread Take-up Spring Regulator Set Screw	410601	Feed Wheel Frame Shaft
154785	Shuttle Race Cap Screw (2)	410604	Feed Wheel Driver Complete, Nos. 93390, 93391, 410646, 543801-004, 544391 and 544392
154789	Bed Slide Spring Screw (2)		Bobbin Winder Latch with 544211-053
154884	Bed Slide Spring	410607	Shuttle Tension Spring
154981	Crank Connecting Rod Hinge Screw Nut		Shuttle Bobbin Case Latch
154981	Feed Connecting Link Hinge Screw Nut	410609	Shuttle Bobbin Case Latch Lever
154981	Feed Forked Connection Hinge Screw Nut	410611	Feed Regulator with 545136
154981	Oscillating Shaft Crank Slide Block Screw Stud Nut		Shuttle Race, Shuttle Body and Shuttle Bobbin Case Complete, Nos. 410564 and 410607
408074	Bobbin Winder Bracket Regulating Plate Spring		Bobbin Winder Spindle Thread Guard
409213	Bobbin Winder Spindle Thread Guard Wave Washer	410613	Oscillating Rock Shaft Oil Pad (felt)
410084	Bobbin Winder Latch Stud	410615	
410509	Arm Top Cover Complete, Nos. 15287-702, 408074, 409213, 410084, 410510, 410511, 410513, 410572-002, 410657, 410670, 543802-004, 544212-001, 544233, 546846, 546847, 546865 and 546895	410616	
		410642	
		410644	
410510	Arm Top Cover	410645	
410511	Bobbin Winder Bracket Complete	410646	
410513	Bobbin Winder Stopper	410647	
410514	Needle Bar (hollow)		
410515	Needle Bar Bushing (lower)		
410516	Thread Take-up Complete, Nos. 52024, 143058, 410517, 410520, 410521, 410574, 504057 and 544881	410648	
410517	Thread Take-up Lever Complete	410649	
410520	Thread Take-up Lever Link Hinge Stud	410650	
410521	Needle Bar Connecting Link	410652	
410522	Tension Complete, Nos. 32758, 99691, 125314, 540672, 540684, 545404-451, 545493, 545898, 546927 and two 2102	410657	
		410663	
		410664	
410523	Arm Shaft	410665	
410524	Needle Bar Crank with 504095 and 504101	410666	
410526	Arm Shaft Flanged Bushing (front)	410668	
410527	Arm Shaft Bushing (center)		
410528	Arm Shaft Flanged Bushing (back)	410670	
410529	Machine Pulley with two 504119	410671	

## NUMERICAL LIST OF PARTS FOR MACHINE 431T200A

PART NO.	DESCRIPTION	PART NO.	DESCRIPTION
410672	Face Plate Complete, Nos. 540618-451, 544782 and 544875	544249	Presser Bar Lifting Lever Hinge Screw
410676	Needle Bar Bushing (lower) Thread Eyelet	544266	Feed Regulator Hinge Screw
504002	Arm Shaft Bushing (center) Set Screw	544310	Balance Weight Screw
504002	Arm Shaft Flanged Bushing (back) Set Screw	544311	Shuttle Race Gate Latch Hinge Screw (2)
504002	Arm Shaft Flanged Bushing (front) Set Screw	544312	Rock Shaft Lifting Arm Adjusting Screw
504002	Thread Take-up Lever Link Hinge Stud Set Screw	544313	Oscillating Shaft Crank Slide Block Screw Stud
504010-451	Thread Take-up Lever Guard Screw	544368	Arm Screw (front) (2)
504019	Feed Rock Shaft Crank Clamping Screw	544378	Shuttle Race Gate Screw (2)
504028	Feed Wheel Frame Set Screw	544391	Feed Wheel Driver Block (inside) Screw Stud
504033	Shuttle Tension Regulating Screw	544392	Feed Wheel Driver Block (outside) Screw Stud
504047	Tension Stud Set Screw	544393	Feed Wheel Frame Adjuster Thumb Screw
504057	Needle Bar Connecting Link Cap Screw	544782	Face Plate Plug (small)
504063	Presser Foot Screw	544875	Face Plate Plug (large)
504072	Feed Rock Shaft Screw Center (2)	544881	Needle Bar Connecting Stud with 549380
504072	Feed Wheel Frame Shaft Screw Center (2)	544948	Presser Bar Guide Bracket with 545099
504083	Presser Bar Guide and Pressure Regulating Thumb Screw	544950	Tension Thread Retainer
504094	Thread Retainer Set Screw	544980	Tension Releasing Lever
504095	Thread Take-up Crank Set Screw (long)	545040	Face Plate Screw (upper)
504099	Arm Top Cover Screw (2)	545053	Presser Bar Lifter Hinge Screw
504100	Presser Bar Lifting Lever Connecting Rod Joint Hinge Screw	545059	Crank Connecting Rod Cap Screw (2)
504101	Shuttle Driver Set Screw (2)	545099	Presser Bar Guide Bracket Clamping Screw
504101	Thread Take-up Crank Set Screw (short)	545136	Feed Connecting Link Hinge Stud Set Screw
504105	Rock Shaft Lifting Arm Set Screw	545313	Feed and Feed Lifting Eccentric Set Screw (2)
504105	Rock Shaft Stop Dog Set Screw	545404-451	Tension Regulating Thumb Nut Lock Nut
504113	Needle Clamp Screw	545493	Tension Regulating Thumb Nut
504114	Feed Wheel Retaining Clutch Spring Screw	545796	Feed Connecting Link Stud
504114	Needle Bar Thread Guard Screw	545841	Needle Bar Bushing (upper)
504119	Machine Pulley Set Screw (2)	545868	Presser Bar Lifter
504120	Needle Bar Crank Position Screw	545898	Tension Stud
504129	Needle Bar Bushing (lower) Set Screw	545901	Thread Eyelet (side of arm)
504129	Needle Bar Bushing (upper) Set Screw	545922	Rock Shaft Stop Dog with 504105
504129	Roller Arm Bracket Position Collar Set Screw	546846	Bobbin Winder Bracket Regulating Plate
504134	Oscillating Shaft Crank Set Screw	546847	Bobbin Winder Bracket Spring
504159-452	Tension Thread Retainer Screw	546865	Bobbin Winder Regulator with 544213-002
504504	Feed Rock Shaft Screw Center Nut (2)	546895	Bobbin Winder Bracket Regulating Plate Spring Stud
504504	Feed Wheel Frame Shaft Screw Center Nut (2)	546927	Thread Take-up Spring Regulator with 504047
504509	Presser Bar Lifting Lever Connecting Rod Lock Nut	547242	Bobbin Winder Tension Complete, Nos. 541170, 547243, 547246 and 547247
505001	Arm Dowel Pin (2)	547243	Bobbin Winder Tension Stud Complete
505008	Arm Spool Pin Washer (felt)	547246	Bobbin Winder Tension Spring
505151	Tension Releasing Lever Hinge Pin	547247	Bobbin Winder Tension Disc (2)
505152	Tension Releasing Lever Spring	548170	Oscillating Shaft Crank Pin
505317-452	Bed Slide Complete, Nos. 12431-452, 154884 and two 154789	549028	Shuttle Race Set Screw
505335	Feed Rock Shaft Crank with 504019	549087	Feed Regulator Thumb Screw
505356	Shuttle Bobbin Case Latch Spring	549128	Thread Eyelet (side of arm) Screw
505387	Presser Bar Lifting Lever Connecting Rod Joint	549336	Thread Guard (side of arm) Screw
505408	Feed Rock Shaft Screw Center 504072 with 504504	549380	Needle Bar Connecting Stud Clamping Screw
505408	Feed Wheel Frame Shaft Screw Center 504072 with 504504	CAT. 2220	Needle (10x6 = 10)
505575	Presser Bar Spring		
505638	Needle Clamp with 504113		
540549	Thread Guard (side of arm)		
540618-451	Face Plate		
540670	Presser Bar Lifting Lever Link		
540672	Tension Releasing Disc		
540684	Tension Releasing Pin		
540703	Needle Bar Bushing (upper) Felt		
541167-003	Rock Shaft Lifting Arm Adjusting Screw Lock Nut		
541170	Bobbin Winder Tension Nut		
543801-004	Feed Wheel Driver Block (inside) Ring		
543802-004	Bobbin Winder Spindle Thread Guard Retaining Ring		
543805-005	Balance Weight Screw Washer		
543811-003	Thread Take-up Lever Oil Pipe		
543811-005	Feed Forked Connection Oil Pipe		
543811-005	Thread Take-up Lever Link Oil Pipe		
543811-007	Arm Shaft Bushing (center) Oil Pipe		
543811-007	Arm Shaft Flanged Bushing (front) Oil Pipe		
543811-008	Thread Take-up Crank Oil Pipe		
543817-001	Oscillating Rock Shaft Hinge Pin Oil Wick		
543817-001	Thread Take-up Lever Oil Pipe Wick		
543817-002	Feed Forked Connection Oil Pipe Wick		
543817-002	Thread Take-up Lever Link Oil Pipe Wick		
543817-003	Arm Shaft Bushing (center) Oil Pipe Wick		
543817-003	Arm Shaft Flanged Bushing (front) Oil Pipe Wick		
543817-004	Thread Take-up Crank Oil Pipe Wick		
543824-001	Oscillating Shaft Crank Slide Block Ring		
543825-001	Feed Regulator Hinge Screw Washer		
544054	Arm Screw (back) (2)		
544066	Face Plate Screw (lower) (2)		
544203-001	Bobbin Winder Tension Set Screw		
544211-053	Bobbin Winder Latch Screw		
544212-001	Bobbin Winder Stopper Screw		
544213-002	Bobbin Winder Regulator Set Screw		
544233	Bobbin Winder Bracket Hinge Screw		

# NUMERICAL LIST OF PARTS FOR MACHINE 431T200A

## ACCESSORIES AND ATTACHMENTS

PART NO.	DESCRIPTION
2996	Shuttle Bobbin (2)
41400	Machine Rest Pin (wood)
161294-451	Screw Driver (large)
161295-451	Screw Driver (small)
410569	Drip Pan
410570	Machine Rest (front) (2)
410571	Machine Rest (Back) (2)
504030	Cloth Guide Screw
505656-001	Thread Unwinder (for two spools) Complete (include three wood screws)
540522	Machine Hinge Connection (2)
540523	Machine Hinge Connection Cushion (2)
541515-001	Cloth Guide
546920	Drip Pan Wire Nail (4)
546920-002	Machine Rest Nail (4)
546923	Oiler with Oil Spout (130 cc filled with Singer Type "B" Oil)
CAT.2220	Needle (16x6 #10) (6)

## KNEE LIFTER PARTS

410592	Rock Shaft Knee Arm Joint Complete, Nos. 410594, 410595, 504105 and 544212-051
410594	Rock Shaft Knee Arm Joint
410595	Rock Shaft Knee Arm Joint Spring
410597	Rock Shaft Knee Arm Complete, Nos. 410598 and 505402
410598	Rock Shaft Knee Arm
504105	Rock Shaft Knee Arm Set Screw
504105	Rock Shaft Knee Plate Set Screw
505402	Rock Shaft Knee Plate with 504105
544212-051	Rock Shaft Knee Arm Joint Spring Screw

## AVAILABLE AT EXTRA CHARGE

6338	Rock Shaft Lifting Bracket Hook
32618	Clamp Stop Motion Flanged Bushing
154756	Clamp Stop Motion Clamp Stop Screw
410640	Belt Guard Complete (include two wood screws)
410653	Foot Lifter Treadle
410654	Foot Lifter Treadle Guide Complete (2)
410655	Foot Lifter Chain
410656	Machine Pulley
504005-451	Clamp Stop Motion Clamp Screw
504067	Clamp Stop Motion Flanged Bushing Set Screw
504105	Rock Shaft Lifting Bracket Set Screw
505009	Clamp Stop Motion Clamp Washer
505404	Rock Shaft Lifting Bracket
547833	Rock Shaft Lifting Bracket Complete, Nos. 6338, 505404 and two 504105