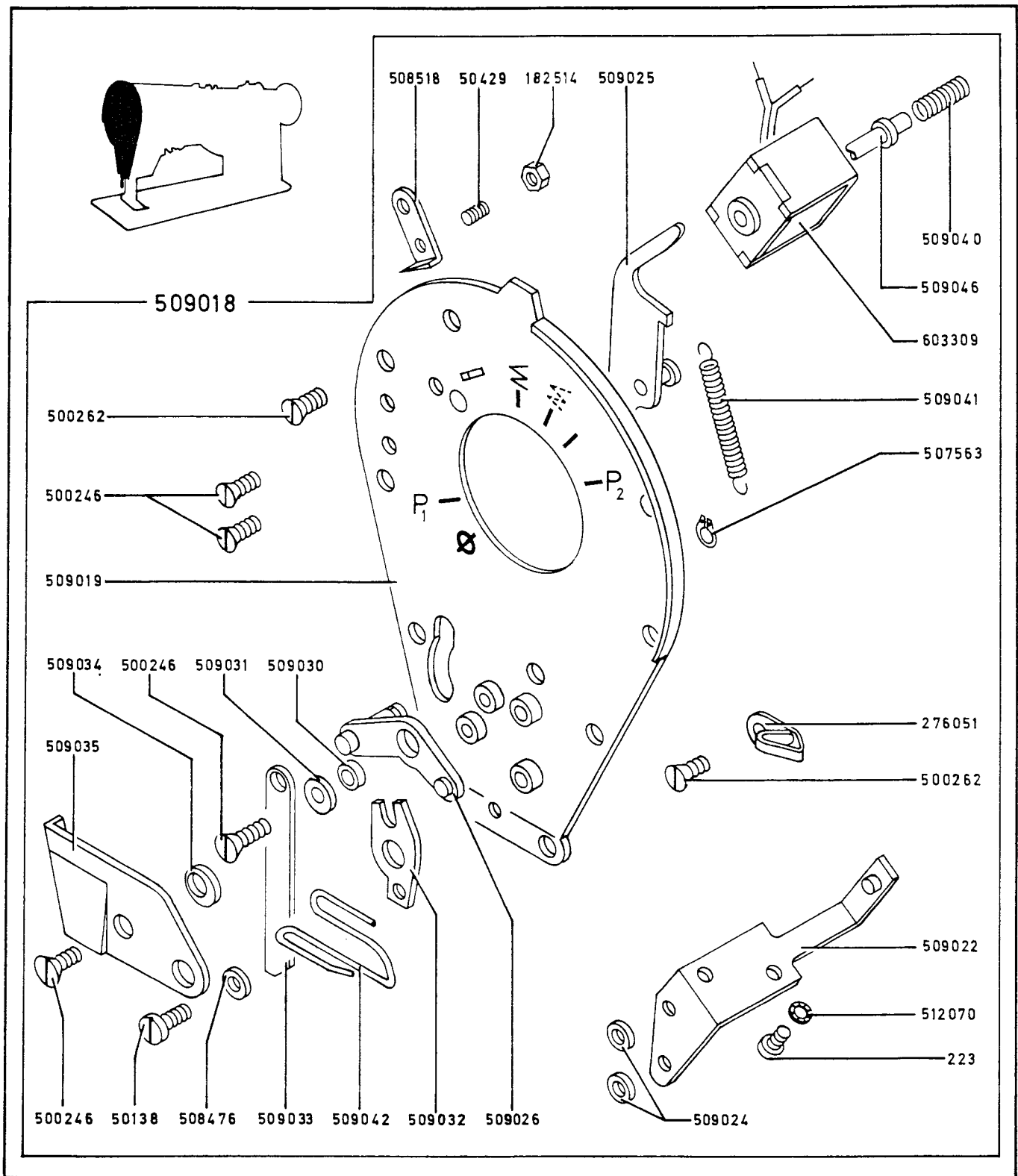


SINGER
457 UTT-Parts

SINGER 457 UTT

PARTS FOR CLASS 457 G 41, 45, 403, 405, 413
433, 435 AND 445 IF NOT STATED OTHERWISE



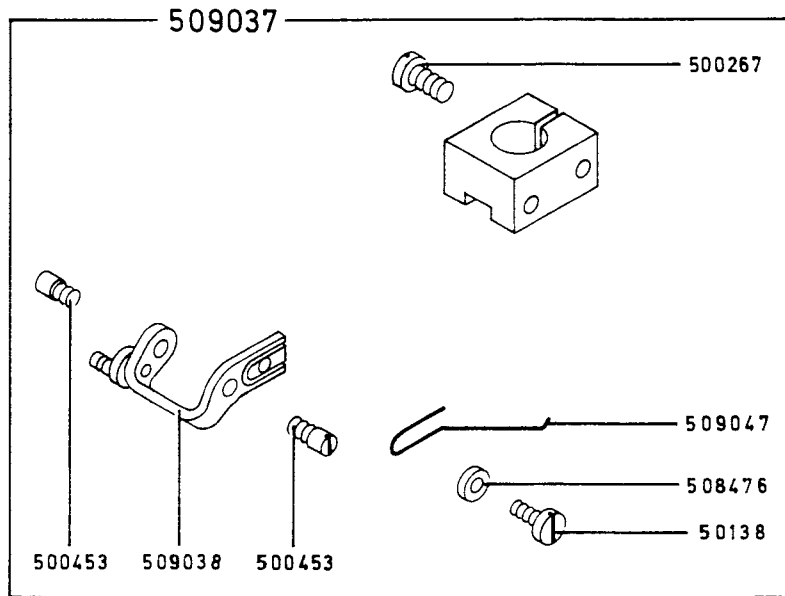
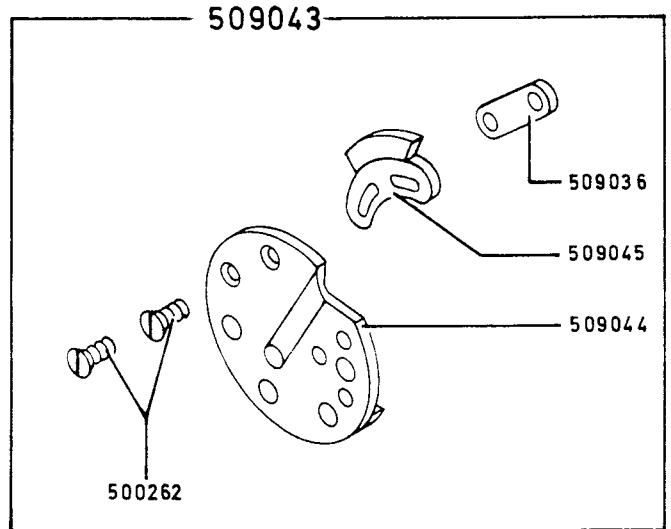
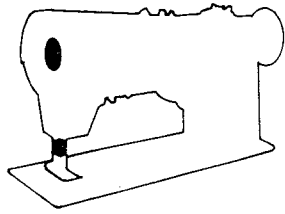
457 UTT - 100 (1170)

223-850	FACE PLATE SOLENOID SCREW (2)
50138-850	FACE PLATE THREAD PULLER SCREW
50429-833	THREAD CUTTER (ON FACE PLATE) ADJUSTING SCREW
182514-850	THREAD CUTTER (ON FACE PLATE) ADJUSTING SCREW NUT
276051	THREAD CUTTER THREAD GUIDE (ON FACE PLATE)
500246-850	FACE PLATE SCREW
500246-850	FACE PLATE COVER PLATE SCREW
500246-850	FACE PLATE SOLENOID BRACKET SCREW (2)
500262-833	THREAD CUTTER THREAD GUIDE (ON FACE PLATE) SCREW
500262-833	THREAD CUTTER SCREW
507563	FACE PLATE TRIP PAWL SAFETY WASHER
508476	FACE PLATE THREAD PULLER WASHER
508518	THREAD CUTTER (ON FACE PLATE)
509018	FACE PLATE CPL. NOS. 050138, 050429, 182514, 276051, 500246, 500246, 500262, 500262, 507563, 508476, 508518, 509019, 509022, 509025, 509026, 509030, 509031, 509032, 509033, 509034, 509035, 509040, 509041, 509042, 509046, 603309 AND TWO EACH 223, 500246, 509024 AND 512070

509019	FACE PLATE
509022	FACE PLATE SOLENOID BRACKET
509024	FACE PLATE SOLENOID BRACKET WASHER (2)
509025	FACE PLATE TRIP PAWL
509026	FACE PLATE LEVER
509030	FACE PLATE WASHER
509031	FACE PLATE WASHER
509032	FACE PLATE LEVER
509033	FACE PLATE CONNECTION LINK
509034	FACE PLATE ECCENTRIC DISC
509035	FACE PLATE COVER PLATE
509040	FACE PLATE PRESSURE SPRING (COIL)
509041	FACE PLATE RETURN SPRING (COIL)
509042	FACE PLATE THREAD PULLER
509046	FACE PLATE STUD
512070	FACE PLATE SOLENOID THRUST WASHER (2)
603309	FACE PLATE SOLENOID

PART NO. DESCRIPTION

PART NO. DESCRIPTION



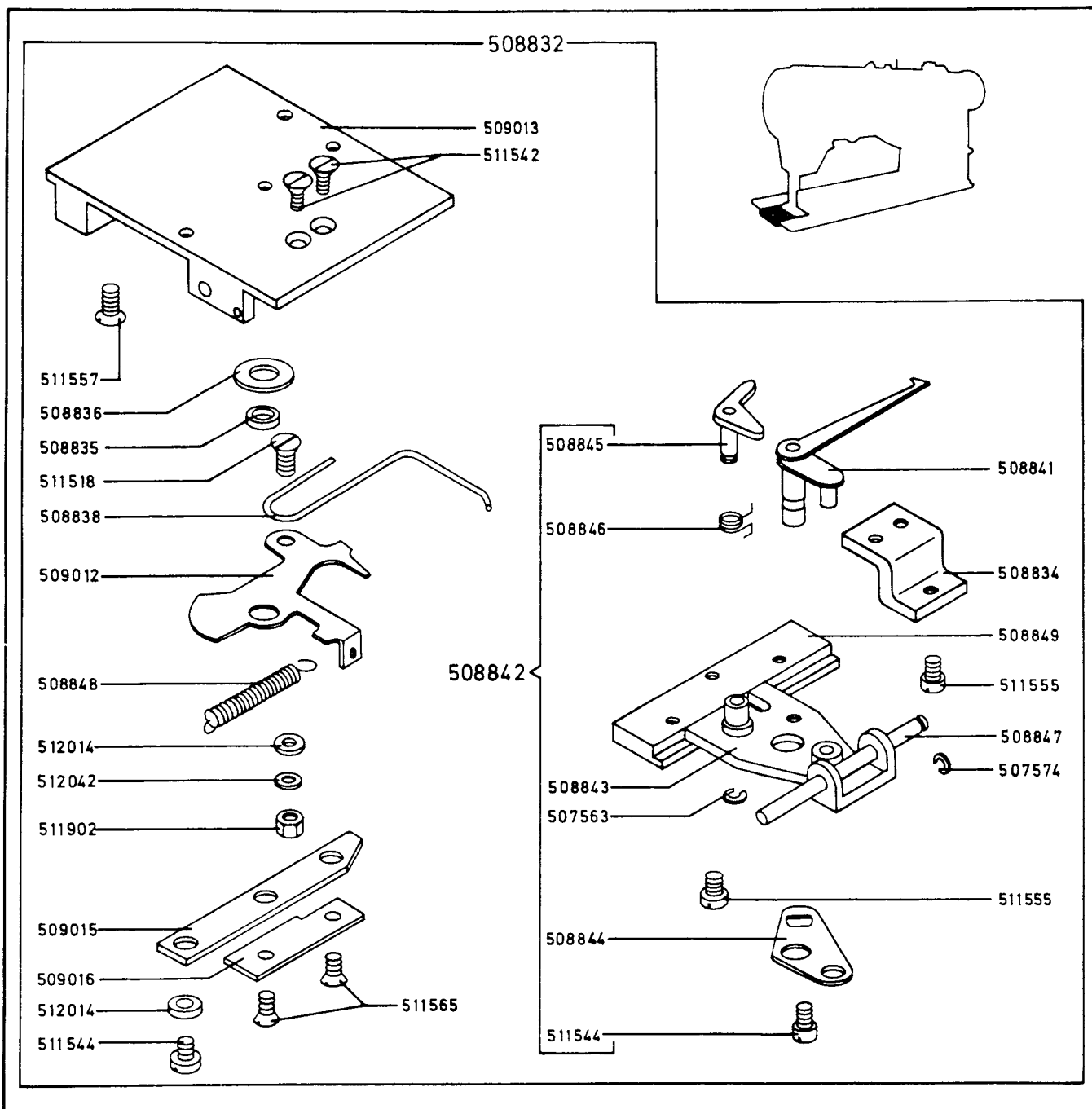
457 UTT - 200 (1170)

50138-850 CLAMPING PIECE SCREW
 500262-833 ROTARY TAKE UP MOUNTING DISC SCREW (2)
 500267-850 CLAMPING PIECE SCREW
 500453-833 CLAMPING PIECE YOKE SCREW (2)
 507563 SAFETY WASHER
 508476 CLAMPING PIECE WASHER
 509036 ROTARY TAKE UP MOUNTING DISC SCREW
 509037 CLAMPING PIECE CPL. NOS. 50138, 500267, 508476,
 509038, 509047 AND TWO EACH 500453

509038 CLAMPING PIECE YOKE
 509043 ROTARY TAKE UP MOUNTING DISC CPL. NOS. 509036,
 509044, 509045 AND TWO EACH 500262
 509044 ROTARY TAKE UP MOUNTING DISC
 509045 ROTARY TAKE UP MOUNTING DISC CATCH
 509047 CLAMPING PIECE THREAD WIPER

PART NO. DESCRIPTION

PART NO. DESCRIPTION



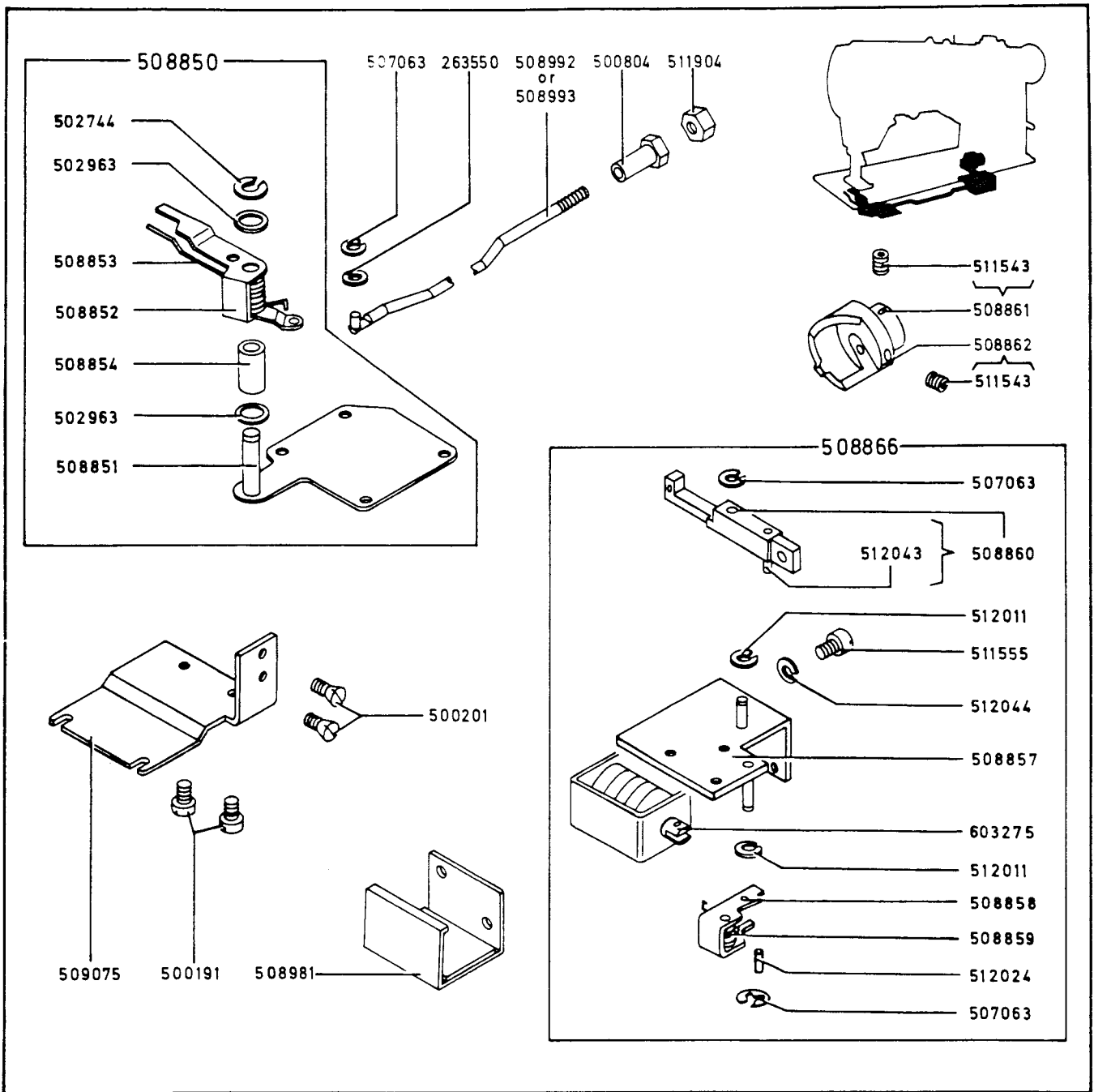
457 UTT - 300 (1170)

507563	KNIFE OPENING PAWL RETAINING RING
507574	THREAD PULLER CARRIAGE SHAFT RETAINING RING
508832	THREAD PULLING AND TRIMMING UNIT CPL. NOS. 507574, 508834, 508835, 508836, 508838, 508841, 508842, 508847, 508848, 508849, 509012, 509013, 509015, 509016, 511518, 511544, 511902, 512042 AND TWO EACH 511542, 511555, 511557, 511565 AND 512014
508834	PIVOTING KNIFE STOP
508835	PIVOTING KNIFE BUSHING
508836	PIVOTING KNIFE SPACER
508838	THREAD POSITIONING WIRE
508841	THREAD PULLER FINGER
508842	THREAD PULLER CARRIAGE CPL. NOS. 507563, 508843 TO 508846 AND 511544
508843	THREAD PULLER CARRIAGE
508844	THREAD PULLER FINGER STOP PLATE
508845	KNIFE OPENING PAWL
508846	KNIFE OPENING PAWL RETURN SPRING

508847	THREAD PULLER CARRIAGE SHAFT
508848	PIVOTING KNIFE BIAS SPRING
508849	THREAD PULLER CARRIAGE RETAINING PLATE
509012	PIVOTING KNIFE
509013	BED SLIDE
509015	COUNTER KNIFE
509016	COUNTER KNIFE RETAINING PLATE
511518-850	THREAD POSITIONING WIRE SECURING SCREW
511542-850	PIVOTING KNIFE STOP SECURING SCREW (2)
511544-850	THREAD PULLER FINGER STOP PLATE SECURING SCREW (2)
511555	BED SLIDE SECURING SCREW (2)
511557-850	THREAD PULLER CARRIAGE RETAINING PLATE SECURING SCREW (2)
511565-850	KNIFE RETAINING PLATE SECURING SCREW (2)
511902-850	THREAD POSITIONING WIRE SECURING NUT
512014	THREAD POSITIONING WIRE WASHER (2)
512042	THREAD POSITIONING WIRE TENSION WASHER

PART NO. DESCRIPTION

PART NO. DESCRIPTION



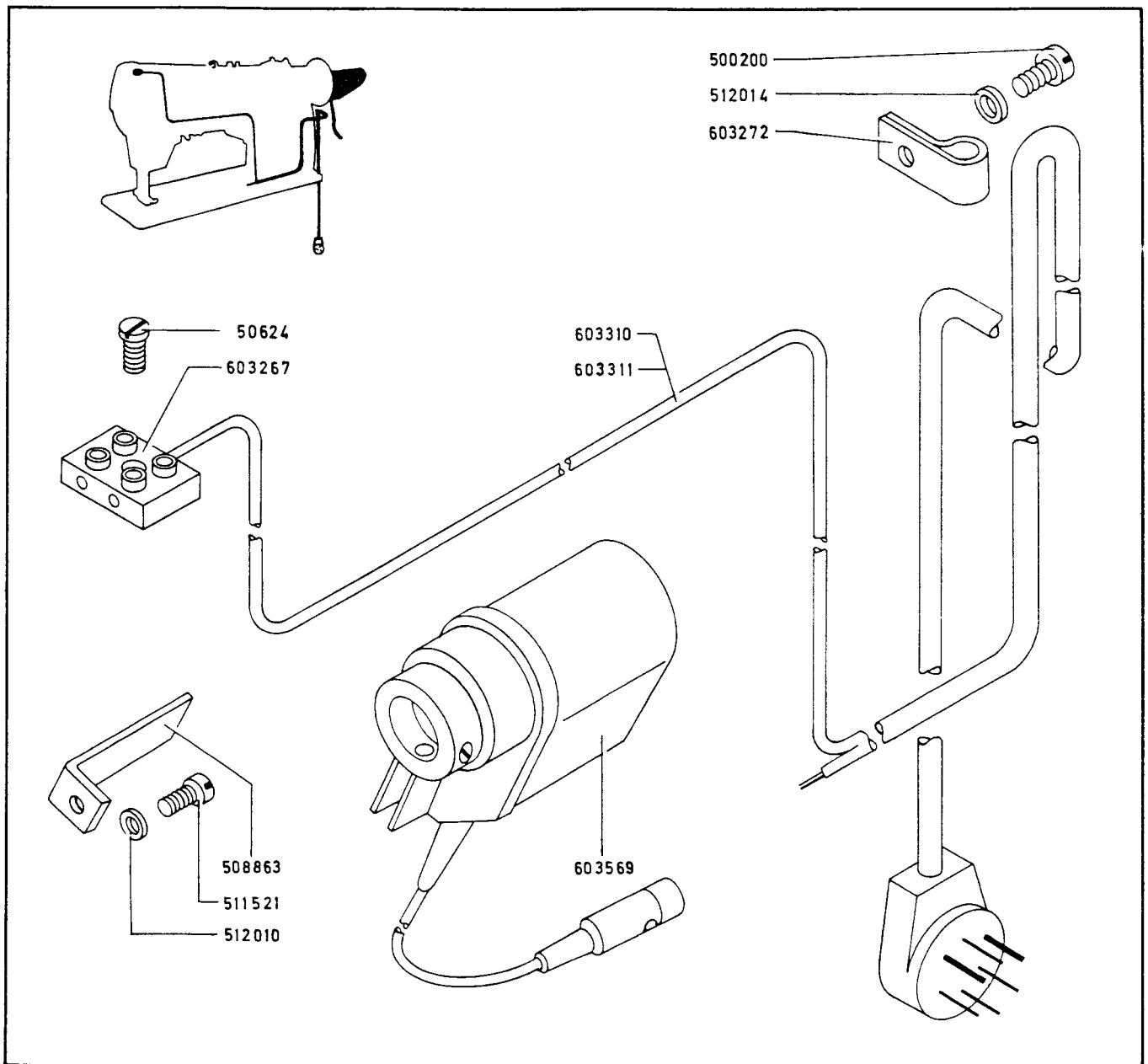
457 UTT - 400 (1170)

263550	THREAD PULLER CONNECTING ROD RETAINING RING WASHER
500191-850	THREAD PULLER RELEASING SOLENOID MOUNTING SCREW (2) (457 G 41, 45 MACHINES ONLY)
500201-850	THREAD PULLER RELEASING SOLENOID MOUNTING BRACKET PLATE SCREW (2) (SHORT ARM MACHINE) (457 G 41, 45 MACHINES ONLY)
500804	THREAD PULLER CONNECTING ROD ADJUSTING SCREW
502744	THREAD PULLER RETURN LEVER RETAINING RING
502963	THREAD PULLER RETURN LEVER WASHER (2)
507063	THREAD PULLER CONNECTING ROD RETAINING RING
507063	THREAD TRIMMER CONTROL CAM FOLLOWER RETAINING RING
507063	THREAD TRIMMER CONTROL CAM FOLLOWER RETAINING PAWL RETAINING RING
508850	THREAD PULLER ACTUATING MECHANISM WITH 502744, 502963, 508851, 508852, 508853 AND 508854
508851	HOOK SHAFT GEAR BOX COVER
508852	THREAD PULLER RETURN LEVER
508853	THREAD PULLER ACTUATING SPRING
508854	THREAD PULLER RETURN LEVER BUSHING
508857	THREAD PULLER RELEASING SOLENOID MOUNTING BRACKET
508858	THREAD TRIMMER CONTROL CAM FOLLOWER RETAINING PAWL
508859	THREAD TRIMMER CONTROL CAM FOLLOWER RETAINING PAWL RETURN SPRING
508860	THREAD TRIMMER CONTROL CAM FOLLOWER WITH 512043
508861	THREAD TRIMMER CONTROL CAM POSITIONING COLLAR WITH TWO 511543

508862	THREAD TRIMMER CONTROL CAM WITH TWO 511543
508866	THREAD PULLER RELEASING SOLENOID MOUNTING BRACKET CPL. NOS. 508857, 508858, 508859, 508860, 512024, 603275 AND TWO EACH 507063, 511555, 512011 AND 512044
508981	THREAD PULLER RELEASING SOLENOID COVER
508992	THREAD PULLER CONNECTING ROD (SHORT ARM MACHINE) (457 G 41, 45 MACHINES ONLY)
508993	THREAD PULLER CONNECTING ROD (LONG ARM MACHINE) EXCEPT FOR THE 457 G 41, 45 MACHINES
509075	THREAD PULLER RELEASING SOLENOID MOUNTING BRACKET PLATE (SHORT ARM MACHINE) (457 G 41, 45 MACHINES ONLY)
511543-850	THREAD TRIMMER CONTROL CAM POSITIONING COLLAR SET SCREW (2)
511543-850	THREAD TRIMMER CONTROL CAM SET SCREW (2)
511555-850	THREAD PULLER RELEASING SOLENOID MOUNTING SCREW (2)
511904-850	THREAD PULLER CONNECTING ROD ADJUSTING SCREW LOCK NUT
512011	THREAD TRIMMER CONTROL CAM FOLLOWER SPACER
512011	THREAD TRIMMER CONTROL CAM FOLLOWER RETAINING PAWL WASHER
512024	THREAD TRIMMER CONTROL CAM FOLLOWER RETAINING PAWL ROLL PIN
512043	THREAD TRIMMER CONTROL CAM FOLLOWER PIN
512044	THREAD PULLER RELEASING SOLENOID MOUNTING SCREW LOCK WASHER (2)
603275	THREAD PULLER RELEASING SOLENOID

PART NO. DESCRIPTION

PART NO. DESCRIPTION



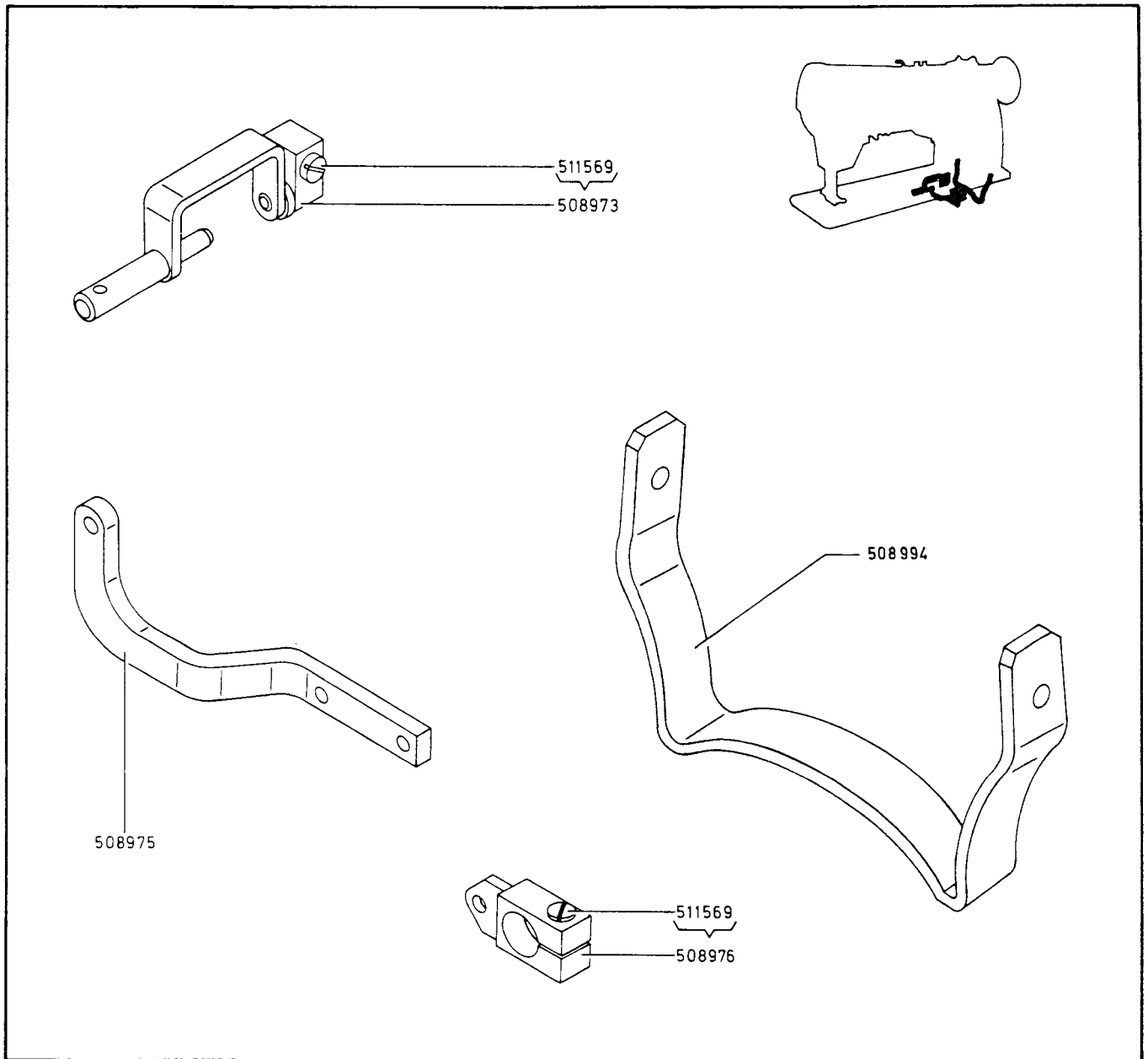
457 UTT - 500 (1170)

50624-833	ELECTRIC TERMINAL SECURING SCREW
500200-850	CABLE CLAMP SCREW
508863	SYNCHRONIZER BRACKET
511521-850	SYNCHRONIZER BRACKET SECURING SCREW
512010	SYNCHRONIZER BRACKET SECURING SCREW WASHER
512014	CABLE CLAMP SCREW WASHER
603267	ELECTRIC TERMINAL (UPPER)

603272	CABLE CLAMP (LARGE)
603310	WIRE HARNESS (SHORT ARM MACHINE) (457 G 41, 45 MACHINES ONLY)
603311	WIRE HARNESS (LONG ARM MACHINE) (EXCEPT FOR THE 457 G 41, 45 MACHINES)
603569	COMMUTATOR SENSOR

PART NO. DESCRIPTION

PART NO. DESCRIPTION



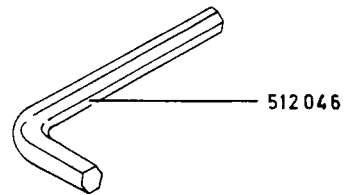
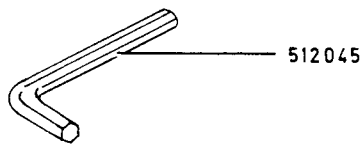
457 UTT - 600 (1170)

508973 FEED REGULATING CONNECTION SHAFT BRACKET WITH
511569 (457 G 403, 413, 433 MACHINES ONLY)
508975 FEED REGULATING SHAFT INDICATOR LEVER FOOT CONTROL
SHIFTING LEVER (DIFFERENTIAL) (457 G 413 MACHINE ONLY)
508976 DIFFERENTIAL REGULATING FOOT CONTROL SHAFT CRANK
WITH 511569 (457 G 413 MACHINE ONLY)

508994 MACHINE LEG (REAR) (SHORT ARM MACHINE) (457 G 41, 45
MACHINES ONLY)
511569-850 FEED REGULATING CONNECTION SHAFT BRACKET
PINCH SCREW (457 G 403, 413, 433 MACHINES ONLY)
511569-850 DIFFERENTIAL REGULATING FOOT CONTROL SHAFT
CRANK PINCH SCREW (457 G 413 MACHINES ONLY)

PART NO. DESCRIPTION

PART NO. DESCRIPTION



457 UTT - 700 (1170)

ACCESSORIES

512045	HEXAGON WRENCH
512046	HEXAGON WRENCH

PART NO.	DESCRIPTION
----------	-------------

PART NO.	DESCRIPTION
----------	-------------
