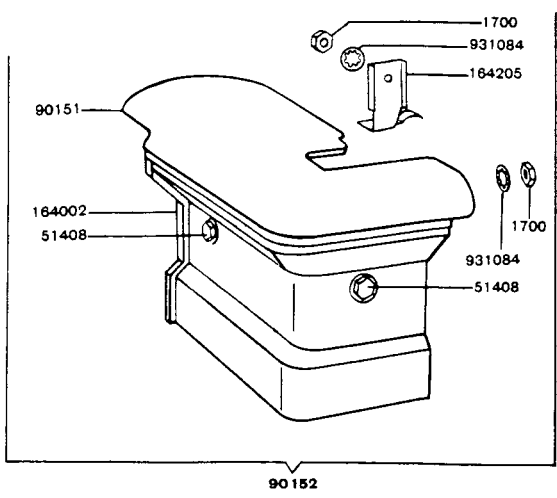
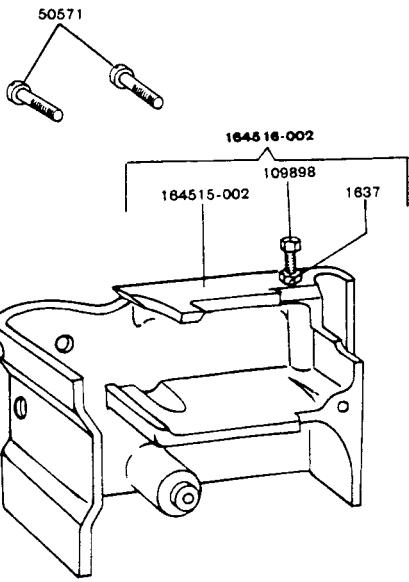
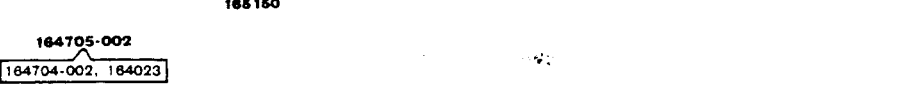
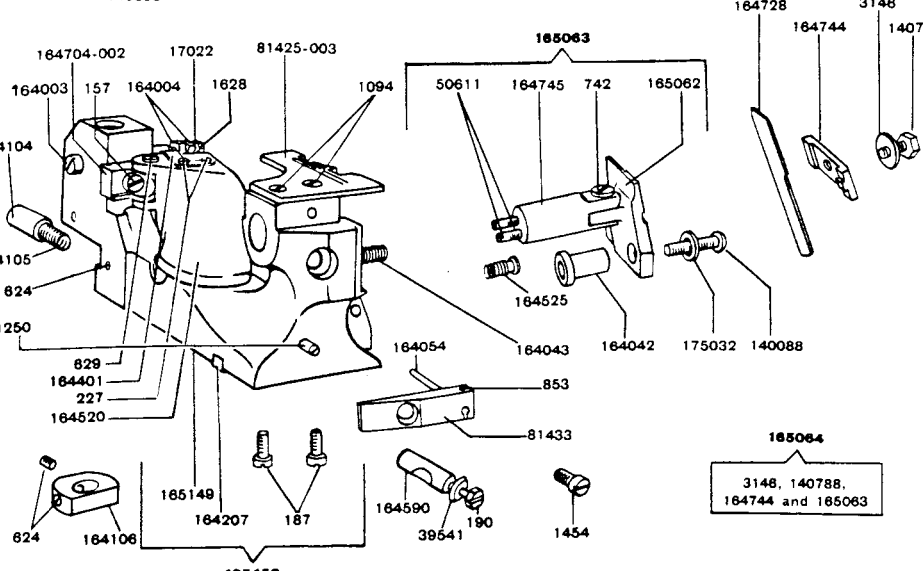
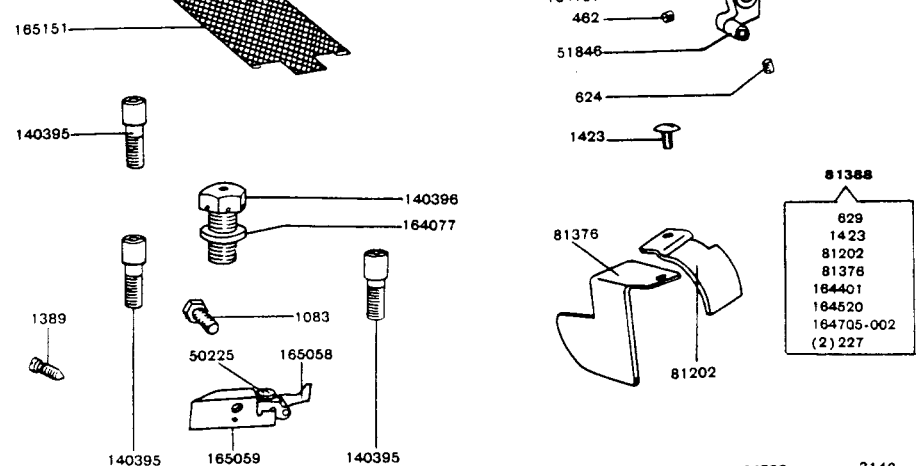
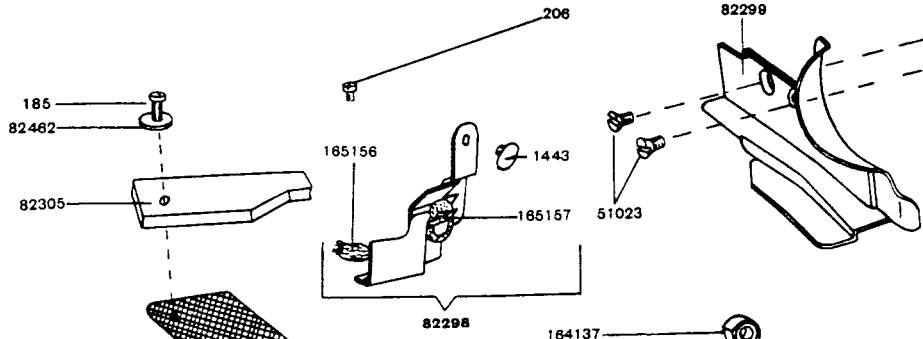
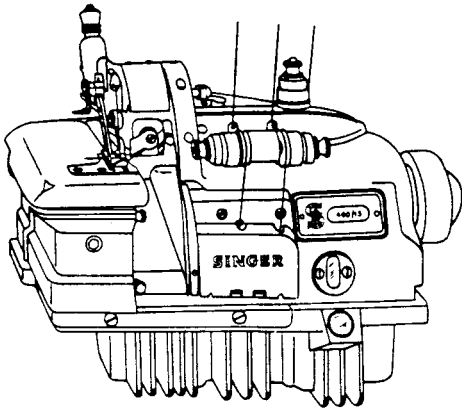


MACHINE PARTS CHART
for
SINGER*
460/15

SINGER 460/15



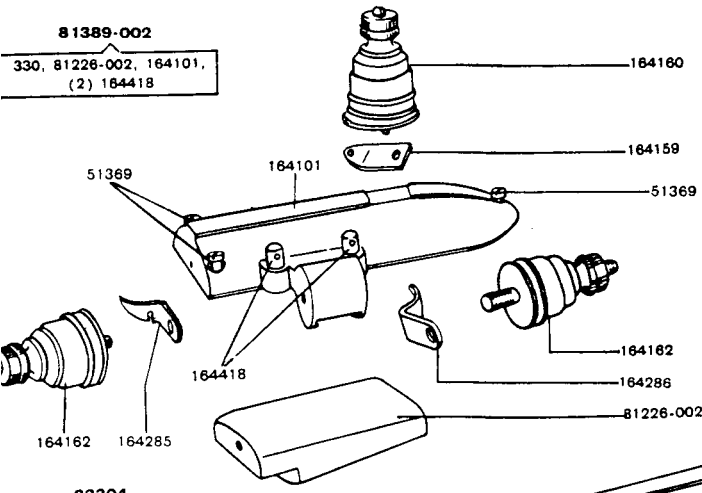
- 81388**
- 829
 - 1423
 - 81202
 - 81378
 - 164401
 - 164520
 - 164705-002
 - (2) 227

- 185084**
- 3148, 140788,
 - 164744 and 165083

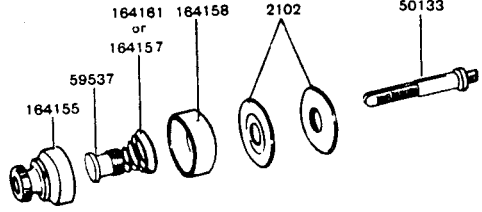
- 164705-002**
- 164704-002, 164023

81389-002

330, 81228-002, 164101,
(2) 164418

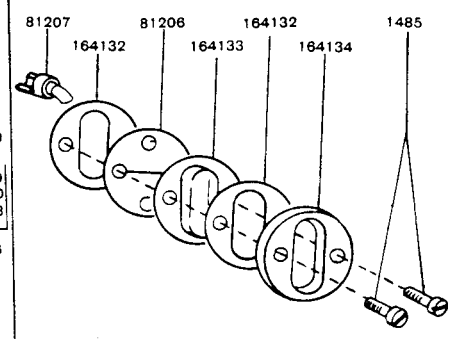
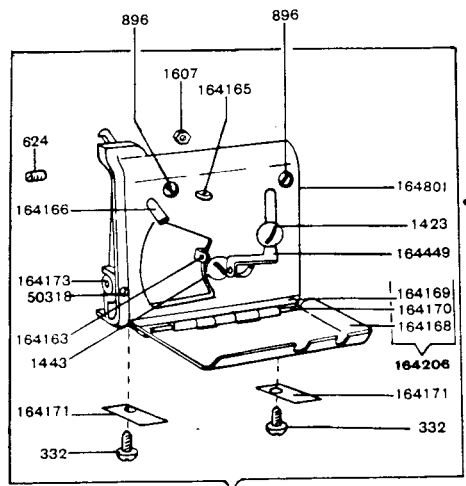
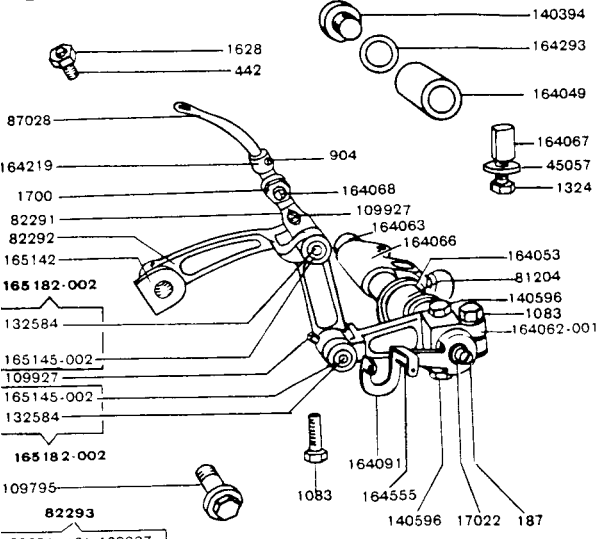
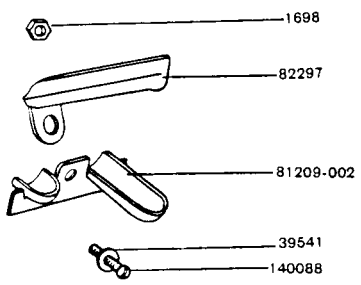
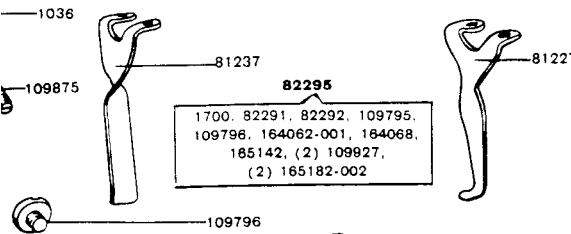
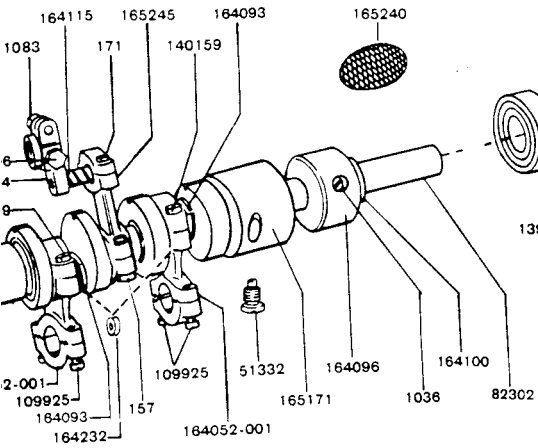
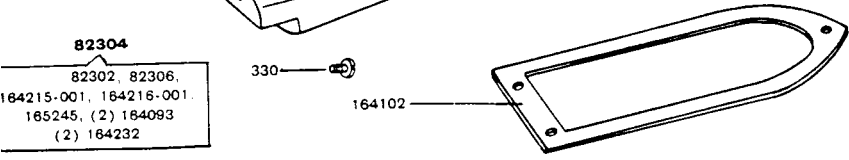


**164160
or
164162**



82304

82302, 82306,
164215-001, 164216-001,
165245, (2) 164093
(2) 164232



82334

LIST OF PARTS FOR 460/15 MACHINE

Part No.	Description	Part No.	Description
145(809)	Oil Cooler Cover Screw	1389(830)	Feed Bar Hinge Pin Set Screw
157(803)	Feed Eccentric Cover Bracket Screw	1423	Knife (movable) Lever Guide and Needle Thread Bridge Bracket Screw
157(830)	Needle Driving Shaft Crank Connection Cap (lower) Screw	1423	Knife (movable) Lever Guide and Needle Thread Eyelet Screw
157(803)	Oil Reservoir Screw	1423(809)	Thread (looper, right hand) Thread Eyelet Screw
171(830)	Needle Driving Shaft Crank Connection Cap (upper) Screw	1423(809)	Feed Eccentric Cover Bracket Oil Cover Screw
185(809)	Machine Frame Bracket Oil Screen Screw	1443(819)	Oil Reservoir Lint Guard (back) Clamping Screw
187(805)	Machine Frame Bracket Key Screw	1443(819)	Oil Reservoir Lint Guard (front) Clamping Screw
187(805)	Thread (looper, right hand) Stripper and Take-up Screw	1443(809)	Machine Frame Oil Splash Guard (internal) Screw (top)
190(805)	Knife (stationary) and Needle Guard Holder Adjusting Stud Cap Screw	1443(809)	Thread (looper, right hand) Stripper and Take-up Eyelet (adjustable) Screw
190(805)	Thread (looper) Take-up Screw (lower)	1443(809)	Thread (looper) Take-up Screw (upper)
198(809)	Knife (movable) Holder Screw	1443(809)	Thread (needle) Controller Screw
206(809)	Machine Frame Oil Splash Guard (internal) Screw (bottom)	1454(806)	Feed (back) Dog Screw
227(809)	Feed Eccentric Cover Latch Spring Screw	1454(806)	Feed (front) Dog Screw
330(809)	Machine Frame Top Cover Oil Lead Screw	1454(805)	Throat Plate Guide Screw
332(809)	Thread (looper) Plate Cover Spring Screw	1485(809)	Machine Frame Oil Drip Sight Gauge Window Retainer Screw
442(830)	Looper (right hand) Carrier Connecting Link Adjusting Screw (front) Stop Screw	1607(809)	Thread (looper, right hand) Thread Eyelet (stationary) Nut
447(830)	Knife (movable) Lever Bearing Set Screw (long)	1628(803)	Feed Bar Slide Block (back) Nut
447(830)	Knife (movable) Lever Guide Holder Thread Tube Set Screw (machine frame end)	1628(809)	Looper (right hand) Carrier Connecting Link Adjusting Screw (front) Stop Screw Nut
447(830)	Knife (movable) Lever Hinge Stud Set Screw (back)	1637(819)	Presser Bar Lifting Lever Stop Screw Nut
448(830)	Machine Pulley Set Screw	1671(803)	Feed (back) Bar Connection Hinge Screw Stud Nut
460(830)	Knife (movable) Lever Guide Thread Tube Set Screw	1671(803)	Feed (front) Bar Connection Hinge Screw Stud Nut
460(830)	Looper (left hand) Carrier Screw Set Screw	1698(809)	Machine Frame Oil Lead Screw Nut
460(830)	Thread Eyelet (needle thread) Set Screw	1700(809)	Cloth Plate Extension Screw Nut
462(830)	Presser Bar Lifting Bracket Set Screw (short)	1700(809)	Cloth Plate Lock Spring Nut
624(830)	Cloth Plate Plunger Set Screw	1700(809)	Cloth Plate Position Screw Nut (not illustrated)
624(830)	Cloth Plate Position Collar Set Screw	1700(809)	Looper (right hand) Locking Screw Stud Nut
624(830)	Knife (movable) Lever Bearing Set Screw (short)	1700(809)	Presser Bar (swing-out) Lifting Screw Stud Nut
624(830)	Machine Frame Oil Tube Set Screw	2102	Tension (heavy) Disc
624(830)	Presser Bar Lifting Bracket Set Screw (long)	2102	Tension (light) Disc
624(830)	Thread (looper, right hand) Tube Set Screw	3146	Knife (stationary) Clamping Gib Screw Washer
629(810)	Feed Eccentric Cover Hinge Screw	17022	Feed Bar Slide Block (back) Nut Washer
691(803)	Machine Frame Wearing Plate Screw	17022	Thread (looper, right hand) Stripper and Take-up Screw Washer
742(806)	Knife (stationary) and Needle Guard Holder Screw	39541	Knife (stationary) and Needle Guard Holder Adjusting Stud Cap Screw Washer
853(830)	Looper (left hand) Thread Tube Set Screw	39541	Machine Frame Oil Lead Screw Washer
896(830)	Thread (looper) Plate Screw	45057	Looper (left hand) Driving Shaft Crank Key Screw Washer
904(830)	Looper (right hand) Position Collar Set Screw	45057	Looper (right hand) Driving Shaft Crank Key Screw Washer
914(809)	Machine Frame Cover (back) Screw (short)	50060(810)	Presser Bar (swing-out) Opening Lever Hinge Screw
1036(830)	Machine Frame Rotary Shaft Bushing (front) Set Screw	50073(809)	Knife (movable) Lever Cover and Presser Bar (upright) Housing Screw
1036(830)	Machine Frame Rotary Shaft Counterbalance Set Screw	50133(803)	Tension (heavy) Screw Stud
1083(803)	Looper (left hand) Driving Shaft Crank Clamping Screw	50133(803)	Tension (light) Screw Stud
1083(803)	Looper (left hand) Carrier Holder Clamping Screw	50169(809)	Presser Bar Guide Screw
1083(803)	Looper (right hand) Driving Lever Clamping Screw	50225(809)	Needle Guard Screw
1083(803)	Looper (right hand) Driving Shaft Crank Clamping Screw	50225(809)	Presser Foot Clamping Plate Screw
1083(803)	Needle Driving Shaft Crank Clamping Screw	50318	Knife (movable) Hinge Cover Screw
1083(805)	Needle Guard Holder Screw	50318(818)	Thread (looper) Plate Thread Bushing Screw
1094(806)	Throat Plate Screw	50379(806)	Looper (left hand) Set Screw
1100(830)	Feed (back) Dog Section (right) Screw	50504(830)	Oil Cooler Plug Screw
1143(830)	Knife (movable) Lever Hinge Stud Set Screw (top)	50571(809)	Machine Frame Cover (back) Screw (long)
1209(809)	Chip Guard Screw (lower)	50611(803)	Knife (stationary) and Needle Guard Holder Position Screw
1250(830)	Cloth Plate Lock Spring Screw Stud	51023(818)	Machine Frame Oil Splash Guard (top) Screw
1324(830)	Looper (left hand) Carrier Screw	51139(809)	Oil Cooler Screw (long)
1324(830)	Looper (left hand) Driving Shaft Crank Key Screw	51332(803)	Machine Frame Rotary Shaft Bushing (intermediate) Set Screw
1324(803)	Looper (right hand) Driving Shaft Crank Key Screw	51362(830)	Presser Bar (swing-out) Pivot Screw Locking Plate Screw
1324(809)	Oil Cooler Screw (short)	51369(803)	Machine Frame Rotary Shaft Ball Bearing Housing Screw
		51369(809)	Machine Frame Top Cover Screw

<u>Part No.</u>	<u>Description</u>	<u>Part No.</u>	<u>Description</u>
164369	Feed (back) Dog, complete, Nos. 1100(830), 164223 and 164367	165182-002	Looper (right hand) Carrier Connecting Link Hinge Pin 165145-002 with 132584
164378	Presser Foot Body	165182-002	Looper (right hand) Carrier Hinge Pin 165145-002 with 132584
164379	Presser Foot Chaining-off Foot Finger	165185	Machine Frame Oil Tube Nos. 165153 and 165154
164380	Presser Foot, Nos. 50169(809), 50225(809), 164147, 164360, 164378 and 164379	165232	Oil Reservoir Oil Sight Gauge (Lucite)
164401	Feed Eccentric Cover Latch Spring	165237	Oil Reservoir Lint Guard (front)
164416	Presser Bar (upright) Spring (standard)	165238	Machine Frame Rotary Shaft Ball Bearing Housing
164418	Tension Thread Eyelet	165239	Machine Frame Rotary Shaft Ball Bearing Housing Gasket
164449	Thread (looper, right hand) Thread Eyelet (movable)	165240	Machine Frame Rotary Shaft Bushing (intermediate) Oil Screen
164458	Knife (movable) Guard (upper)	165245	Needle Driving Shaft Crank Connection with 164115
164462	Lint Stripper with 109935(830)	175032	Knife (stationary) and Needle Guard Holder Sleeve Screw Washer
164515-002	Machine Frame Cover (back)	931084	Cloth Plate Extension Screw Nut Lock Washer
164516-002	Machine Frame Cover (back) 164515-002 with 1637(819) and 109898(803)	931084	Cloth Plate Lock Spring Nut Lock Washer
164520	Feed Eccentric Cover		
164525	Knife (stationary) and Needle Guard Holder Spring Stud		
164555	Thread (looper, right hand) Stripper and Take-up Guide Wire		
164590	Knife (stationary) and Needle Guard Holder Adjusting Stud		
164660	Looper (left hand) Carrier Holder with 1083(803), 140393(830), and 140596(830)		
164661	Looper (left hand) Carrier Holder 164660 with 1324(830), 59456 and 164046		
164687	Feed (back) Bar with 164010		
164704-002	Feed Eccentric Cover Bracket		
164705-002	Feed Eccentric Cover Bracket 164704-002 with 164023		
164728	Knife (stationary)		
164744	Knife (stationary) Clamping Gib		
164745	Knife (stationary) and Needle Guard Holder Body with two 50611(803)		
164801	Thread (looper) Plate with 624(830)		
164814	Presser Bar (upright) Spring (heavy)		
164815	Presser Bar (upright) Spring Spacing Collar		
	164814 and 164815 are supplied in place of 164416 where specified on order.		
164884	Presser Bar Lifting Lever		
165058	Needle Guard		
165059	Needle Guard Holder		
165062	Knife (stationary) and Needle Guard Holder		
165063	Knife (stationary) and Needle Guard Holder (adjustable) complete, Nos. 742(806), 164745 and 165062		
165064	Knife (stationary) and Needle Guard Holder (adjustable) with Gib complete, Nos. 3146, 140788(803), 164744 and 165063		
165106	Feed (front) Dog		
165134	Feed Bar Slide Block (front)		
165142	Looper (right hand) Carrier Connecting Link Adjusting Sleeve		
165145-002	Looper (right hand) Carrier Connecting Link Hinge Pin		
165145-002	Looper (right hand) Carrier Hinge Pin		
165149	Machine Frame Bracket		
165150	Machine Frame Bracket 165149 with 164207 and two 187(805)		
165151	Machine Frame Bracket Oil Screen		
165152	Machine Frame Oil Screen		
165153	Machine Frame Oil Tube		
165154	Machine Frame Oil Tube Wick		
165156	Machine Frame Oil Splash Guard (internal) Oil Wick		
165157	Machine Frame Oil Splash Guard (internal) Oil Wick Fastener		
165159	Machine Frame Wearing Plate		
165160	Machine Frame Wearing Plate Spacer		
165170	Machine Frame Rotary Shaft Bushing (front)		
165171	Machine Frame Rotary Shaft Bushing (intermediate)		
165173	Oil Reservoir with 165232		
165180	Feed (back) and (front) Bars, complete, Nos. 164006, 164007, 164008, 164017, 164018, 164687, 165134, two each 1671(803), 164004 and 164009		

LIST OF PARTS FOR 460/15 MACHINE

Part No.	Description	Part No.	Description
51408(830)	Cloth Plate Extension Screw	82306	Machine Frame Rotary Shaft Key
51408(830)	Cloth Plate Position Screw	82307	Needle Driving Shaft with 82309
51768	Needle Clamping Nut	82308	Needle Driving Shaft 82307 with 51768(803), 82312 and 82313
51846	Presser Bar Lifting Bracket Roller and Stud	82309	Needle Stop Pin (not illustrated)
59456	Looper (left hand) Carrier Holder Washer	82311	Needle Driving Shaft Bushing Cap
59537	Tension (heavy) Spring Bushing	82312	Needle Holder
59537	Tension (light) Spring Bushing	82313	Needle Holder Washer
81201-010	Feed (back) Eccentric	82317	Needle Driving Shaft Bushing
81201-010	Feed (front) Eccentric	82329	Oil Cooler, Nos. 81228, 50504(830), and two 164125
81202	Feed Eccentric Cover Bracket Oil Cover	82330	Presser Bar (swing-out)
81203	Looper (left hand) Driving Shaft Bushings (front)	82334	Thread (Looper) Plate, complete, Nos. 1423(809), 1443(809), 1607(809), 50318(818), 164163, 164165, 164166, 164173, 164206, 164449, 164801 and two each 332(809) and 164171
81204	Looper (right hand) Driving Shaft Bushings (front)	82337	Knife (movable) Lever Guide
81206	Machine Frame Oil Drip Sight Gauge (background) Disc	82338	Knife (movable) Lever Guide and Needle Thread Bridge Bracket
81207	Machine Frame Oil Drip Sight Gauge Tube and Support	82339	Knife (movable) Lever Guide and Needle Thread Bridge Eyelet
81209-002	Machine Frame Oil Lead Tube Support	82340	Knife (movable) Lever Guide 82337 with 460, 82338, 82339, 164182 and two 1423
81225	Machine Frame Rotary Shaft Oil Metering Pin (internal)	82462	Machine Frame Bracket Oil Screen Screw Washer
81226-002	Machine Frame Top Cover Oil Lead	87026	Looper (left hand)
81227	Oil Agitator (right hand)	87028	Looper (right hand)
81228	Oil Cooler	90151	Cloth Plate
81231	Machine Cushion (large)	90152	Cloth Plate with Extension complete, Nos. 90151, 164002, 164205, two 931084 and three each 1700(809) and 51408(830)
81232	Machine Mounting Post	107204	Oil Reservoir Drain Plug (Magnetic)
81233	Oil Reservoir Oil Sump Screen Cover	107205	Oil Reservoir Gasket
81237	Oil Agitator (left hand)	109795(803)	Looper (right hand) Carrier Connecting Link Adjusting Screw (front)
81238	Oil Reservoir Lint Guard (back)	109796(803)	Looper (right hand) Carrier Connecting Link Adjusting Sleeve Cap Screw (back)
81263	Oil Reservoir Oil Sump Screen	109875(803)	Machine Frame Rotary Shaft Bushing (front) By-Pass Oil Control Screw
81376	Feed Eccentric Cover Bracket Splash Guard	109876	Needle Driving Shaft Bushing Locating Screw
81388	Feed Eccentric Cover, Nos. 629(810), 1423(819), 81202, 81376, 164401, 164520, 164705-002 and two 227(809)	109898(803)	Presser Bar Lifting Lever Stop Screw
81389-002	Machine Frame Top Cover 164101 with 330(809), 81226-002 and two 164418	109925(830)	Looper (left hand) Driving Shaft Crank Connection Cap (lower) Screw
81425-003	Throat Plate	109925(830)	Looper (right hand) Driving Shaft Crank Connection Cap (lower) Screw
81433	Throat Plate Guide with 853(830)	109927(869)	Knife (movable) Lever Hinge Pin Set Screw
82255	Knife (movable) Hinged Cover	109927(869)	Looper (right hand) Carrier Connecting Link Hinge Pin Set Screw
82256	Knife (movable) Hinged Cover Hinge	109927(869)	Looper (right hand) Carrier Hinge Pin Set Screw
82257	Knife (movable) Hinged Cover Pin	109935(830)	Lint Stripper Screw
82258	Knife (movable) Hinged Cover 82255 with 82256 and 82257	113149	Machine Frame Rotary Shaft Nut
82259	Knife (movable) Hinged Cover Spring	132583	Knife (movable) Lever Hinge Pin
82262	Chip Guard	132584	Knife (movable) Lever Hinge Pin Oil Wick
82264	Knife (movable) (serrated)	132584	Looper (right hand) Carrier Connecting Link Hinge Pin Oil Wick
82265	Feed Lifting Eccentric	132584	Looper (right hand) Carrier Hinge Pin Oil Wick
82266	Knife (movable) Eccentric	139026	Machine Frame Rotary Shaft Ball Bearing
82268-002	Thread (needle) Controller Lever	140050(803)	Knife (movable) Clamp Screw
82269	Thread (needle) Controller	140082(805)	Oil Reservoir Oil Sump Screen Cover Screw
82271	Presser Bar Bracket	140088(805)	Knife (stationary) and Needle Guard Holder Sleeve Screw
82272	Knife (movable) Lever with 109927(869)	140088(813)	Machine Frame Oil Lead Screw
82273-002	Knife (movable) Lever 82272 with 82268-002, 82271, 132583 and 164035	140159(830)	Looper (left hand) Driving Shaft Crank Connection Cap (upper) Screw
82274	Knife (movable) Lever Cover and Presser Bar (upright) Housing with 460(830)	140159(830)	Looper (right hand) Driving Shaft Crank Connection Cap (upper) Screw
82276	Knife (movable) Lever Cover and Presser Bar (upright) Housing complete, Nos. 50060(810), 82258, 82259, 82274, 82281, 164137, 164139, 164142, 164143, 164194, 164814, 164815, 164884 and two 50318	140346(830)	Machine Frame Oil Plug Bracket Set Screw
82281	Thread Eyelet (needle thread)	140393(830)	Looper (left hand) Carrier Holder Set Screw (right) (not illustrated)
82291	Looper (right hand) Carrier	140394(805)	Looper (left hand) Driving Shaft Bushings (back) Cap Screw
82292	Looper (right hand) Carrier Connecting Link	140394(805)	Looper (right hand) Driving Shaft Bushings (back) Cap Screw
82293	Looper (right hand) Carrier 82291 with two each 109927(869) and 165182-002	140395(805)	Machine Frame Bracket Screw (small)
82295	Looper (right hand) Driving Lever complete, Nos. 1700(809), 82291, 82292, 109795, 109796, 164062-001, 164068, 165142, two each 109927(869) and 165182-002	140396(805)	Machine Frame Bracket Screw (large)
82297	Machine Frame Oil Lead	140416(819)	Machine Pulley Cap Screw
82298	Machine Frame Oil Splash Guard (internal) complete	140509(809)	Chip Guard Screw (upper)
82299	Machine Frame Oil Splash Guard (top)	140510(803)	Presser Bar (swing-out) Pivot Screw
82302	Machine Frame Rotary Shaft	140596(830)	Looper (left hand) Carrier Holder Set Screw (left)
82304	Machine Frame Rotary Shaft 82302 with 82306, 164215-001, 164216-001, 165245, two each 164093 and 164232		
82305	Machine Frame Bracket and Cover (back) Gasket		

<u>Part No.</u>	<u>Description</u>	<u>Part No.</u>	<u>Description</u>
140596(830)	Looper (right hand) Driving Lever Set Screw	164122	Oil Cooler Cover Gasket
140596(830)	Needle Driving Shaft Crank Set Screw	164123	Oil Cooler Cover 164121 with 164135
140788(803)	Knife (stationary) Clamping Gib Screw	164124	Oil Cooler Gasket
164002	Cloth Plate Extension	164125	Oil Cooler Oil Pipe (outlet) (left and right)
164003	Feed Bar Hinge Pin (eccentric)	164132	Machine Frame Oil Drip Sight Gauge Window Gasket
164004	Feed Bar Slide Block (back)	164133	Machine Frame Oil Drip Sight Gauge Window
164006	Feed (front) Bar with 164010	164134	Machine Frame Oil Drip Sight Gauge Window Retainer
164007	Feed (back) Bar Connection	164135	Oil Cup (for filling machine)
164008	Feed (back) Bar Connection Bearing	164137	Presser Bar Lifting Bracket with 462(830), 624(830) and 51846
164009	Feed (back) Bar Connection Hinge Screw Stud	164139	Presser Bar Lifting Lever Spring
164009	Feed (front) Bar Connection Hinge Screw Stud	164141	Presser Bar (swing-out) Lifting Screw Stud
164010	Feed (back) Bar Connection Hinge Screw Stud Position Pin (not illustrated)	164142	Presser Bar (swing-out) Opening Lever
164010	Feed (front) Bar Connection Hinge Screw Stud Position Pin (not illustrated)	164143	Presser Bar (upright)
164017	Feed (front) Bar Connection	164144	Presser Bar (upright) Spring (not illustrated)
164018	Feed (front) Bar Connection Bearing	164147	Presser Foot Clamping Plate
164023	Feed Eccentric Oil Wick	164155	Tension (heavy) Regulating Thumb Nut
164027	Knife (movable) Clamp	164155	Tension (light) Regulating Thumb Nut
164028	Knife (movable) Guard (lower)	164156	Tension (heavy) Screw Stud 50133 (803) with 164155 (not illustrated)
164029-002	Knife (movable) Holder	164156	Tension (light) Screw Stud 50133 (803) with 164155 (not illustrated)
164030	Knife (movable) Holder Screw Bearing	164157	Tension (light) Spring
164032	Knife (movable) Lever Bearing	164158	Tension (heavy) Spring Cover
164034	Knife (movable) Lever Hinge Stud	164158	Tension (light) Spring Cover
164035	Knife (movable) Lever Hinge Stud 164034 with 164036 and 164269	164159	Tension (needle thread) Thread Guide
164036	Knife (movable) Lever Hinge Stud Oil Wick (long)	164160	Tension (light) complete, Nos. 59537, 164156, 164157, 164158 and two 2102
164042	Knife (stationary) and Needle Guard Holder Sleeve	164161	Tension (heavy) Spring
164043	Knife (stationary) and Needle Guard Holder Spring	164162	Tension (heavy) complete, Nos. 59537, 164156, 164158, 164161 and two 2102
164046	Looper (left hand) Carrier with 460(830), 50379(806) and 164202	164163	Thread (looper, right hand) Stripper and Take-up Eyelet (adjustable)
164048	Looper (left hand) Driving Shaft	164165	Thread (looper, right hand) Thread Eyelet (stationary)
164049	Looper (left hand) Driving Shaft Bushing (back)	164166	Thread (looper, right hand) Tube
164049	Looper (right hand) Driving Shaft Bushing (back)	164168	Thread (looper) Plate Cover
164051	Looper (left hand) Driving Shaft Crank with 1083(803)	164169	Thread (looper) Plate Cover Hinge
164052-001	Looper (left hand) Driving Shaft Crank Connection with two each 109925(830) and 140159(830)	164170	Thread (looper) Plate Cover Hinge Pin
164052-001	Looper (right hand) Driving Shaft Crank Connection with two each 109925(830) and 140159(830)	164171	Thread (looper) Plate Cover Spring
164053	Looper (left hand) Driving Shaft Crank Thrust Bearing	164173	Thread (looper) Plate Thread Bushing
164053	Looper (right hand) Driving Shaft Crank Thrust Bearing	164175	Thread (looper) Take-up (left)
164054	Looper (left hand) Thread Tube	164176	Thread (looper) Take-up Plate
164062-001	Looper (right hand) Driving Lever with 1083(803) and two 140596(830)	164182	Knife (movable) Lever Guide Holder Thread Tube
164063	Looper (right hand) Driving Shaft	164194	Pressure Regulating Thumb Screw
164066	Looper (right hand) Driving Shaft Crank	164202	Looper (left hand) Stop Pin
164067	Looper (left hand) Driving Shaft Crank Key	164205	Cloth Plate Lock Spring
164067	Looper (right hand) Driving Shaft Crank Key	164206	Thread (looper) Plate Cover 164168 with 164169 and 164170
164068	Looper (right hand) Locking Screw Stud	164207	Machine Frame Bracket Key
164071	Machine Pulley Cap	164215-001	Looper (left hand) Driving Shaft Crank 164051 with 164052-001 (not illustrated)
164077	Machine Frame Bracket Screw (large) Washer (fibre)	164216-001	Looper (right hand) Driving Shaft Crank 164066 with 164052-001 (not illustrated)
164082	Machine Frame Oil Plug Bracket	164219	Looper (right hand) Position Collar with 904(830)
164091	Thread (looper, right hand) Stripper and Take-up with 164555	164223	Feed (back) Dog Section (right)
164093	Machine Frame Rotary Shaft Ball Sleeve (two pieces)	164231	Machine Pulley with two 448(830)
164096	Machine Frame Rotary Shaft Counterbalance with 1036(830)	164232	Machine Frame Rotary Shaft Ball Sleeve Guide
164098	Machine Frame Rotary Shaft Oil and Ball Bearing Grease Retainer	164269	Knife (movable) Lever Hinge Stud Oil Wick (short) (not illustrated)
164099	Machine Frame Rotary Shaft Screw Stud	164285	Tension (looper thread) Thread Guide (left)
164100	Machine Frame Rotary Shaft Thrust Bearing	164286	Tension (looper thread) Thread Guide (right)
164101	Machine Frame Top Cover	164293	Looper (left hand) Driving Shaft Bushing (back) Cap Screw Washer
164102	Machine Frame Top Cover Gasket	164293	Looper (right hand) Driving Shaft Bushing (back) Cap Screw Washer
164104	Cloth Plate Plunger	164351	Presser Bar (swing-out) Pivot Screw Locking Plate
164105	Cloth Plate Plunger Spring	164360	Presser Foot Guide
164106	Cloth Plate Position Collar with two 624(830)	164367	Feed (back) Dog Section (left)
164114	Needle Driving Shaft Crank with 1083(803) and two 140596(830)		
164115	Needle Driving Shaft Crank Ball		
164121	Oil Cooler Cover		