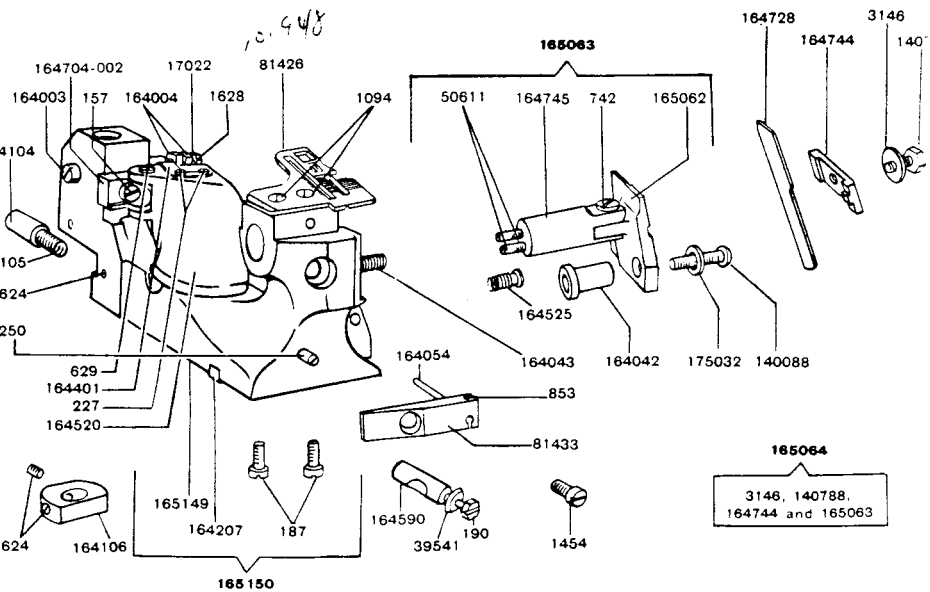
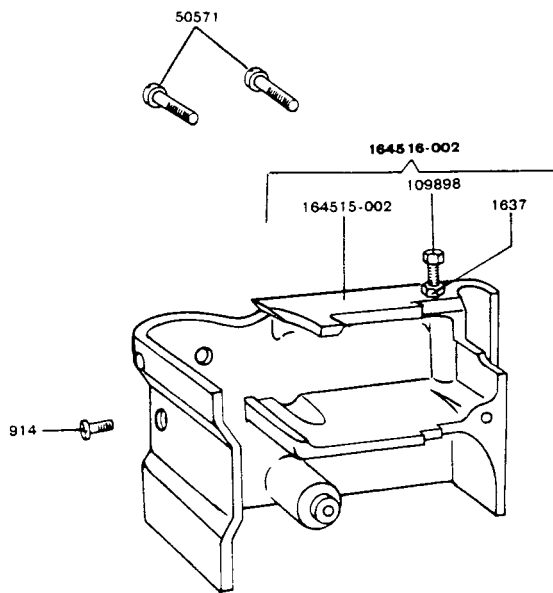
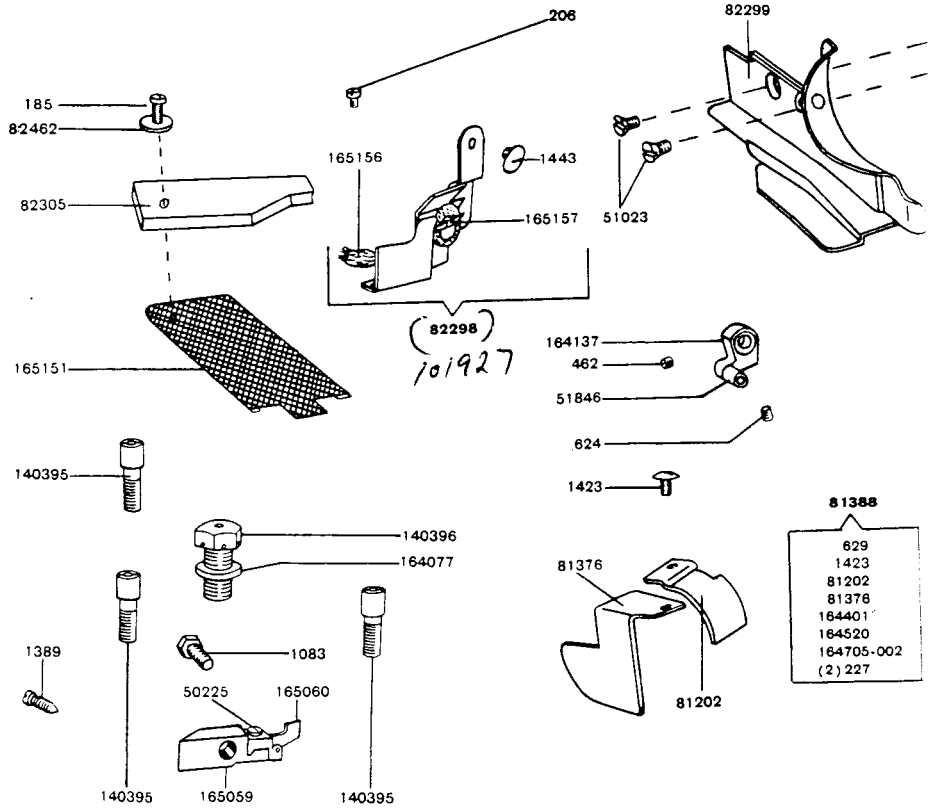
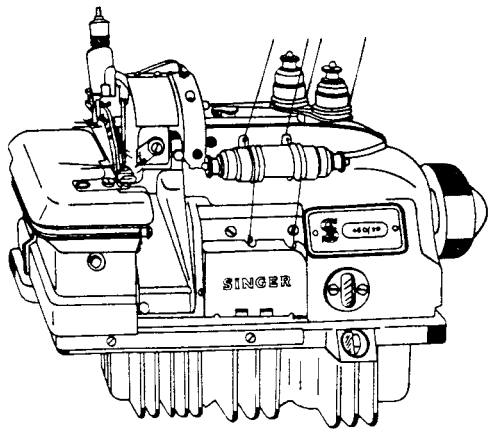


SINGER
460/20

SINGER® 460/20



164705-002
164704-002, 164023

- 81388
- 629
 - 1423
 - 81202
 - 81376
 - 164401
 - 164520
 - 164705-002
 - (2) 227

- 165064
- 3146, 140788,
 - 164744 and 165063

82275

50080, 82258, 82259,
82274, 82281, 164137,
164138, 164139, 164142,
164143, 164194, 164416,
(2) 50318

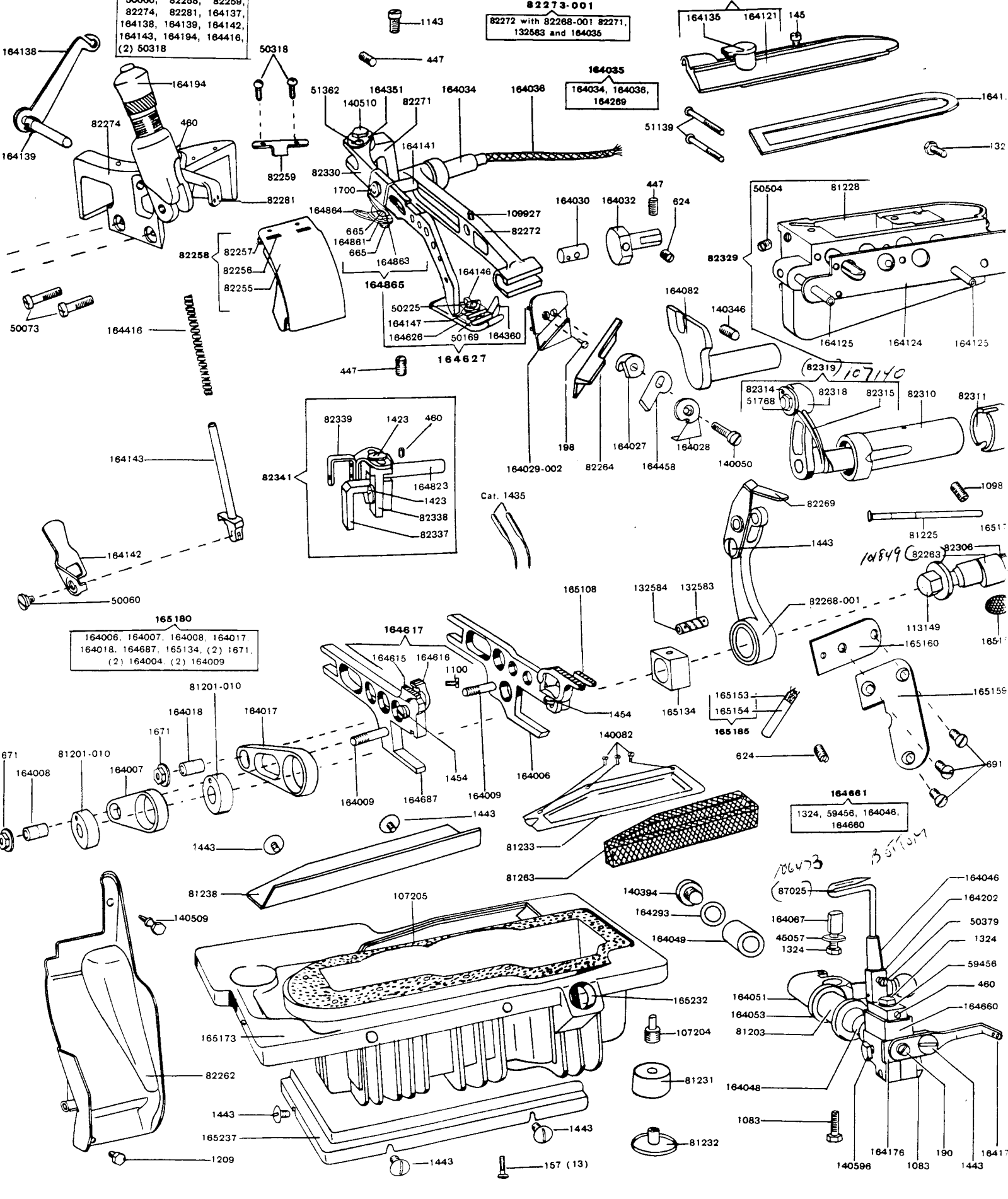
82273-001

82272 with 82268-001 82271,
132583 and 164035

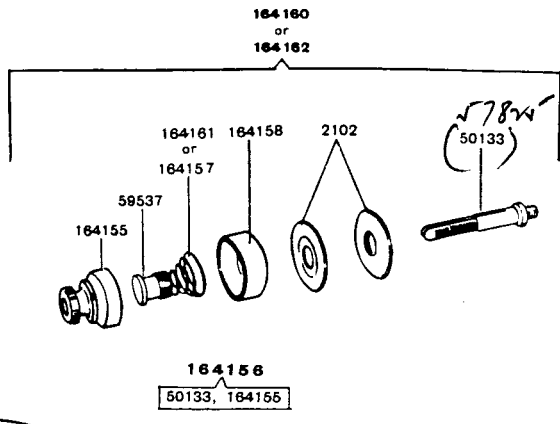
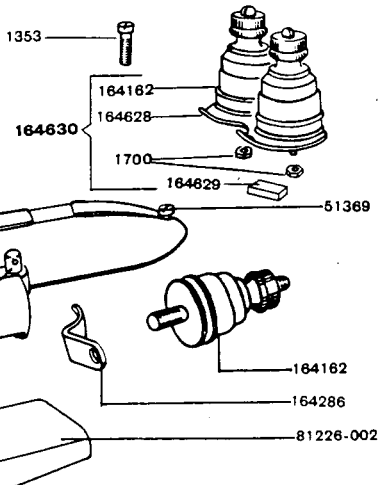
164123

164035

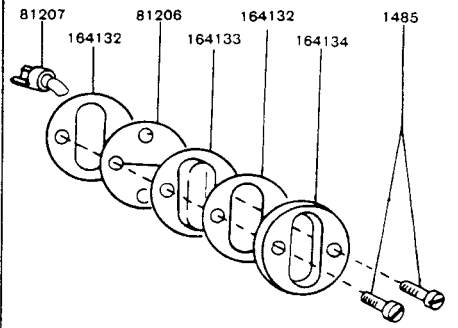
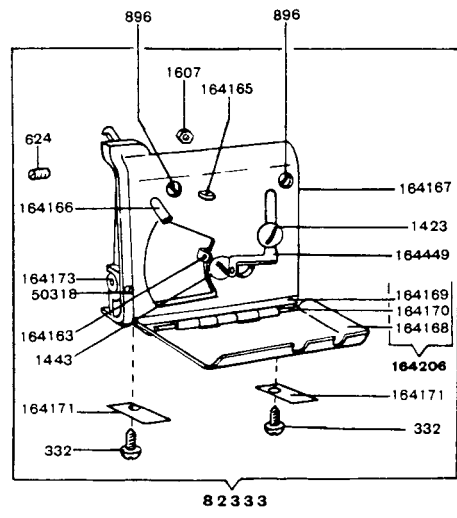
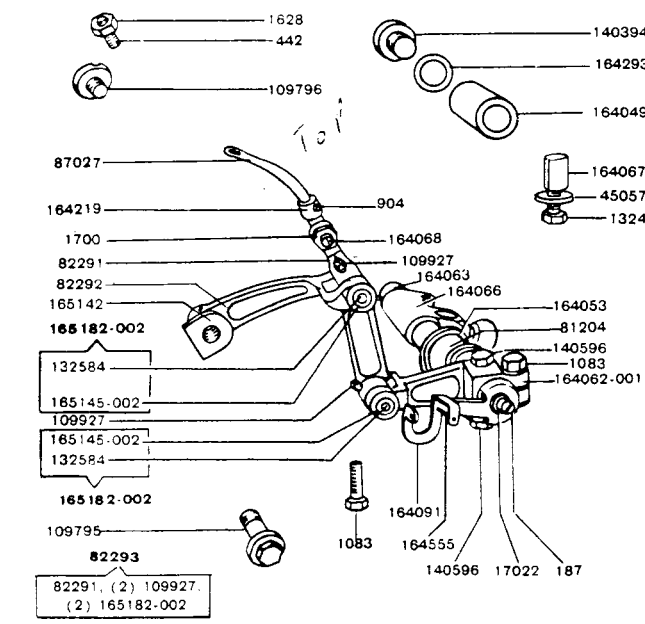
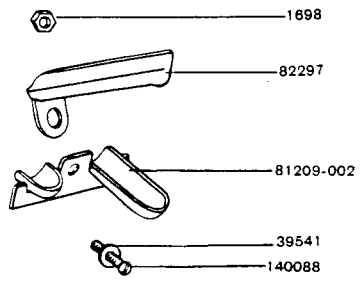
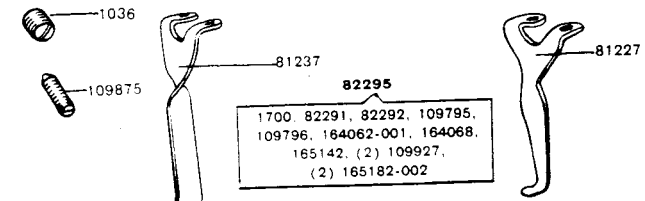
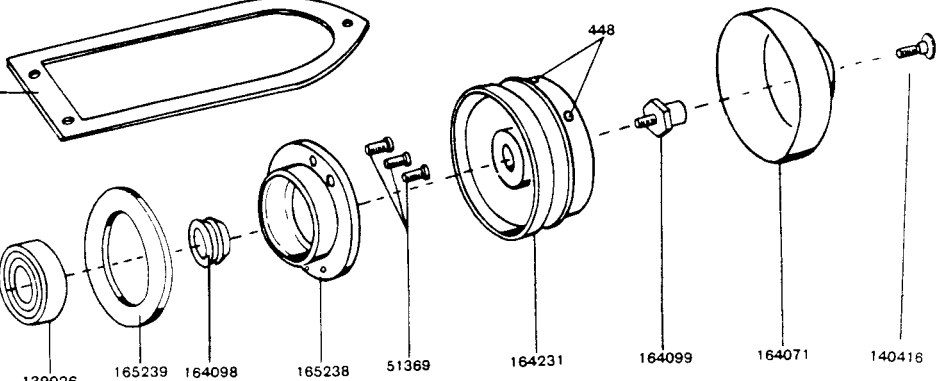
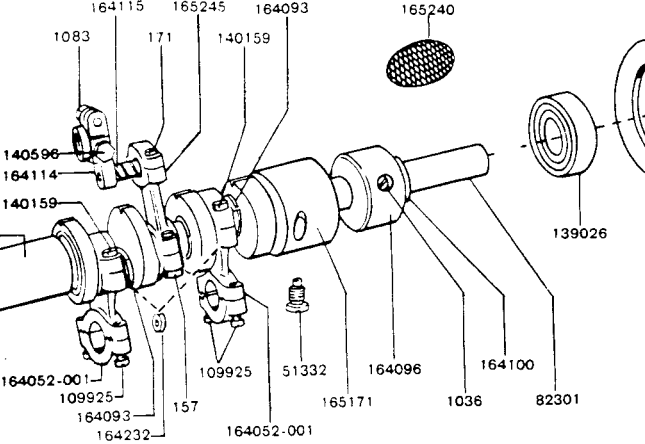
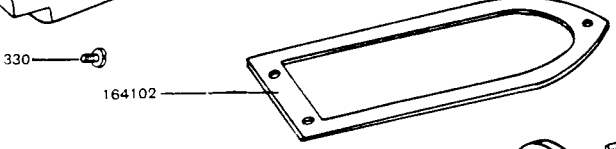
164034, 164036,
164289



81389-002
330, 81226-002, 164101,
(2) 164418



82303/101799
82301, 82306, 164215-001,
164216-001, 165245,
(2) 164093, (2) 164232



<u>Part No.</u>	<u>Description</u>	<u>Part No.</u>	<u>Description</u>
164096	Machine Frame Rotary Shaft Counterbalance with 1036(830).	164615	Feed (back) Dog Section (left)
164098	Machine Frame Rotary Shaft Oil and Ball Bearing Grease Retainer	164616	Feed (back) Dog Section (right)
164099	Machine Frame Rotary Shaft Screw Stud	164617	Feed (back) Dog complete
164100	Machine Frame Rotary Shaft Thrust Bearing	164626	Presser Foot Body
164101	Machine Frame Top Cover	164627	Presser Foot complete, Nos. 50169(809), 50225(809), 164146, 164147, 164360 and 164626
164102	Machine Frame Top Cover Gasket	164628	Tension Thread Guide (double)
164104	Cloth Plate Plunger	164629	Tension Thread Guide Spacing Block
164105	Cloth Plate Plunger Spring	164630	Tension (double) complete
164106	Cloth Plate Position Collar	164660	Looper (left hand) Carrier Holder complete.
164114	Needle Driving Shaft Crank with 1083(803) and two 140596(830)	164661	Looper (left hand) Carrier Holder, assembly.
164115	Needle Driving Shaft Crank Ball	164687	Feed (back) Bar
164121	Oil Cooler Cover	164704-002	Feed Eccentric Cover Bracket
164122	Oil Cooler Cover Gasket	164705-002	Feed Eccentric Cover Bracket 164704-002 with 164023
164123	Oil Cooler Cover 164121 with 164135	164728	Knife (stationary)
164124	Oil Cooler Gasket	164744	Knife (stationary) Clamping Gib
164125	Oil Cooler Oil Pipe (outlet, left)	164745	Knife (stationary) and Needle Guard Holder Body
164125	Oil Cooler Oil Pipe (outlet, right)	164823	Knife (movable) Lever Guide Holder Thread Tube
164132	Machine Frame Oil Drip Sight Gauge Window Gasket	164861	Chain Cutter Knife
164133	Machine Frame Oil Drip Sight Gauge Window	164863	Chain Cutter Holder
164134	Machine Frame Oil Drip Sight Gauge Window Retainer	164864	Chain Cutter Chain Retainer (spring)
164135	Oil Cup for filling Machine	164865	Chain Cutter with Chain Retainer complete
164137	Presser Bar Lifting Bracket with 462(830), 624(830) and 51846.	165059	Needle Guard Holder
164138	Presser Bar Lifting Lever	165060	Needle Guard
164139	Presser Bar Lifting Lever Spring	165062	Knife (stationary) and Needle Guard Holder
164141	Presser Bar (swing-out) Lifting Screw Stud	165063	Knife (stationary) and Needle Guard Holder (adjustable) complete
164142	Presser Bar (swing-out) Opening Lever	165064	Knife (stationary) and Needle Guard Holder (adjustable) with Gib complete
164143	Presser Bar (upright)	165108	Feed (front) Dog 9 teeth (12 teeth to the inch)
164146	Presser Foot Chaining-off Finger	165134	Feed Bar Slide Block (front)
164147	Presser Foot Clamping Plate	165142	Looper (right hand) Carrier Connecting Link Adjusting Sleeve
164155	Tension (heavy) Regulating Thumb Nut	165145-002	Looper (right hand) Carrier Connecting Link Hinge Pin
164155	Tension (light) Regulating Thumb Nut	165145-002	Looper (right hand) Carrier Hinge Pin
164156	Tension (heavy) Screw Stud 50133 with 164155	165149	Machine Frame Bracket
164156	Tension (light) Screw Stud 50133 with 164155	165150	Machine Frame Bracket 165149 with 164207 and two 187(805)
164157	Tension (light) Spring	165151	Machine Frame Bracket Oil Screen
164158	Tension (heavy) Spring Cover	165152	Machine Frame Oil Screen
164158	Tension (light) Spring Cover	165153	Machine Frame Oil Tube
164160	Tension (light) complete	165154	Machine Frame Oil Tube Wick
164161	Tension (heavy) Spring	165156	Machine Frame Oil Splash Guard (internal) Oil Wick
164162	Tension (heavy) complete	165157	Machine Frame Oil Splash Guard (internal) Oil Wick Pastener
164163	Thread (looper, right hand) Stripper and Take-up Eyelet (adjustable)	165159	Machine Frame Wearing Plate
164165	Thread (looper, right hand) Thread Eyelet (stationary)	165160	Machine Frame Wearing Plate Spacer
164166	Thread (looper, right hand) Tube	165170	Machine Frame Rotary Shaft Bushing (front)
164167	Thread (looper) Plate with 624(830)	165171	Machine Frame Rotary Shaft Bushing (intermediate)
164168	Thread (looper) Plate Cover	165173	Oil Reservoir with 165232.
164169	Thread (looper) Plate Cover Hinge	165180	Feed (back) and (front) Bars complete
164170	Thread (looper) Plate Cover Hinge Pin	165182-002	Looper (right hand) Carrier Connecting Link Hinge Pin 165145-002 with 132584.
164171	Thread (looper) Plate Cover Spring	165182-002	Looper (right hand) Carrier Hinge Pin 165145-002 with 132584.
164173	Thread (looper) Plate Thread Bushing	165185	Machine Frame Oil Tube 165153 with 165154
164175	Thread (looper) Take-up (left)	165232	Oil Reservoir Oil Sight Gauge (lucite)
164176	Thread (looper) Take-up Plate	165237	Oil Reservoir Link Guard (front)
164194	Pressure Regulating Thumb Screw	165238	Machine Frame Rotary Shaft Ball Bearing Housing
164202	Looper (left hand) Stop Pin	165239	Machine Frame Rotary Shaft Ball Bearing Housing Gasket
164205	Cloth Plate Lock Spring	165240	Machine Frame Rotary Shaft Bushing (intermediate) Oil Screen
164206	Thread (looper) Plate Cover, complete	165245	Needle Driving Shaft Crank Connection complete.
164207	Machine Frame Bracket Key	175032	Knife (stationary) and Needle Guard Holder Sleeve Screw Washer
164215-001	Looper (left hand) Driving Shaft Crank 164051 with 164052-001 (not illustrated).	931084	Cloth Plate Extension Screw Nut Lock Washer
164216-00	Looper (right hand) Driving Shaft 164066 with 164052-001 (not illustrated)	931084	Cloth Plate Lock Spring Nut Lock Washer
164219	Looper (right hand) Position Collar with 904(830).		
164231	Machine Pulley with two 448(830).		
164232	Machine Frame Rotary Shaft Ball Sleeve Guide		
164269	Knife (movable) Lever Hinge Stud Oil Wick (short) (not illustrated)		
164285	Tension (looper thread) Thread Guide (left)		
164286	Tension (looper thread) Thread Guide (right)		
164293	Looper (left hand) Driving Shaft Bushing (back) Cap Screw Washer		
164293	Looper (right hand) Driving Shaft Bushing (back) Cap Screw Washer		
164351	Presser Bar (swing-out) Pivot Screw Locking Plate		
164360	Presser Foot Guide		
164401	Feed Eccentric Cover Latch Spring		
164416	Presser Bar (upright) Spring (heavy)		
164418	Tension Thread Eyelet		
164449	Thread (looper, right hand) Thread Eyelet (movable)		
164458	Knife (movable) Guard (upper)		
164515-002	Machine Frame Cover (back)		
164516-002	Machine Frame Cover (back) complete		
164520	Feed Eccentric Cover		
164525	Knife (stationary) and Needle Guard Holder Spring Stud		
164555	Thread (looper, right hand) Stripper and Take-up Guide Wire		
164590	Knife (stationary) and Needle Guard Holder Adjusting Stud		

PARTS CHART

FOR

SINGER*

460/20

MACHINE

LIST OF PARTS FOR 460/20 MACHINE

Part No.	Description	Part No.	Description
145(809)	Oil Cooler Cover Screw	1443(809)	Thread (looper, right hand) Stripper and Take-up Eyelet (adjustable) Screw
157(803)	Feed Eccentric Cover Bracket Screw	1443(809)	Thread (looper) Take-up Screw (upper)
157(803)	Oil Reservoir Screw	1443(809)	Thread (needle) Controller Screw
157(830)	Needle Driving Shaft Crank Connection Cap (lower) Screw	1454(806)	Feed (back) Dog Screw
171(830)	Needle Driving Shaft Crank Connection Cap (upper) Screw	1454(806)	Feed (front) Dog Screw
185(809)	Machine Frame Bracket Oil Screen Screw	1454(805)	Throat Plate Guide Screw
187(805)	Machine Frame Bracket Key Screw	1485(809)	Machine Frame Oil Drip Sight Gauge Window Retainer Screw
187(805)	Thread (looper, right hand) Stripper and Take-up Screw	1607(809)	Thread (looper, right hand) Thread Eyelet (stationary) Nut
190(805)	Knife (stationary) and Needle Guard Holder Adjusting Stud Cap Screw	1628(803)	Feed Bar Slide Block (back) Nut
190(805)	Thread (looper) Take-up Screw (lower)	1628(809)	Looper (right hand) Carrier Connecting Link Adjusting Screw (front) Stop Screw Nut
198(809)	Knife (movable) Guard Screw	1637(810)	Presser Bar Lifting Lever Stop Screw Nut
206(809)	Machine Frame Oil Splash Guard (internal) Screw (bottom)	1671(803)	Feed (back) Bar Connection Hinge Screw Stud Nut
227(809)	Feed Eccentric Cover Latch Spring Screw	1671(803)	Feed (front) Bar Connection Hinge Screw Stud Nut
330(809)	Machine Frame Top Cover Oil Lead Screw	1698(809)	Machine Frame Oil Lead Screw Nut
332(809)	Thread (looper) Plate Cover Spring Screw	1700(809)	Cloth Plate Extension Screw Nut
442(830)	Looper (right hand) Carrier Connecting Link Adjusting Screw (front) Stop Screw	1700(809)	Cloth Plate Lock Spring Nut
447(830)	Knife (movable) Lever Bearing Set Screw (long)	1700(809)	Cloth Plate Position Bracket Screw Nut
447(830)	Knife (movable) Lever Guide Holder Thread Tube Set Screw (Machine Frame End)	1700(809)	Looper (right hand) Locking Screw Stud Nut
447(830)	Knife (movable) Lever Hinge Stud Set Screw (back)	1700(809)	Tension (heavy) Screw Stud Nut
448(830)	Machine Pulley Set Screw	1700(809)	Presser Bar (swing-out) Lifting Screw Stud Nut
460	Knife (movable) Lever Guide Thread Tube Set Screw	2102	Tension (heavy) Disc (6)
460(830)	Looper (left hand) Carrier Screw Set Screw	2102	Tension (light) Disc (2)
460(830)	Thread Eyelet (needle thread) Set Screw	3146	Knife (stationary) Clamping Gib Screw Washer
462(830)	Presser Bar Lifting Bracket Set Screw (short)	17022	Feed Bar Slide Block (back) Nut Washer
624(830)	Cloth Plate Plunger Set Screw	17022	Thread (looper, right hand) Stripper and Take-up Screw Washer
624(830)	Cloth Plate Position Collar Set Screw	39541	Knife (stationary) and Needle Guard Holder Adjusting Stud Cap Screw Washer
624(830)	Knife (movable) Lever Bearing Set Screw (short)	39541	Machine Frame Oil Lead Screw Washer
624(830)	Machine Frame Oil Tube Set Screw	45057	Looper (left hand) Driving Shaft Crank Key Screw Washer
624(830)	Presser Bar Lifting Bracket Set Screw (long)	45057	Looper (right hand) Driving Shaft Crank Key Screw Washer
624(830)	Thread (looper, right hand) Tube Set Screw	50060(810)	Presser Bar (swing-out) Opening Lever Hinge Screw
629(810)	Feed Eccentric Cover Hinge Screw	50073(809)	Knife (movable) Lever Cover and Presser Bar (upright) Housing Screw
665(809)	Chain Cutter Chain Retainer (spring) Screw	50133(803)	Tension (light) Screw Stud
665(809)	Chain Cutter Knife Screw	50133(803)	Tension (heavy) Screw Stud
691(803)	Machine Frame Wearing Plate Screw	50169(809)	Presser Foot Guide Screw
742(806)	Knife (stationary) and Needle Guard Holder Screw	50225(809)	Needle Guard Screw
853(830)	Looper (left hand) Thread Tube Set Screw	50225(809)	Presser Foot Clamping Plate Screw
896(830)	Thread (looper) Plate Screw	50318	Knife (movable) Hinged Cover Screw
904(830)	Looper (right hand) Position Collar Set Screw	50318(818)	Thread (looper) Plate Thread Bushing Screw
914(809)	Machine Frame Cover (back) Screw (short)	50379(806)	Looper (left hand) Set Screw
1036(830)	Machine Frame Rotary Shaft Bushing (front) Set Screw	50504(830)	Oil Cooler Plug Screw
1036(830)	Machine Frame Rotary Shaft Counterbalance Set Screw	50571(809)	Machine Frame Cover (back) Screw (long)
1083(803)	Looper (left hand) Carrier Holder Clamping Screw	50611(803)	Knife (stationary) and Needle Guard Holder Position Screw
1083(803)	Looper (left hand) Driving Shaft Crank Clamping Screw	51023(818)	Machine Frame Oil Splash Guard (top) Screw
1083(803)	Looper (right hand) Driving Lever Clamping Screw	51139(809)	Oil Cooler Screw (long)
1083(803)	Looper (right hand) Driving Shaft Crank Clamping Screw	51332(803)	Machine Frame Rotary Shaft Bushing (intermediate) Set Screw
1083(803)	Needle Driving Shaft Crank Clamping Screw	51362(830)	Presser Bar (swing-out) Pivot Screw Locking Plate Screw
1083(805)	Needle Guard Holder Screw	51369(803)	Machine Frame Rotary Shaft Ball Bearing Housing Screw
1094(806)	Throat Plate Screw	51369(809)	Machine Frame Top Cover Screw
1100(830)	Feed (back) Dog Section (right) Screw	51408(830)	Cloth Plate Extension Screw
1143(830)	Knife (movable) Lever Hinge Stud Set Screw (top)	51408(830)	Cloth Plate Position Bracket Screw
1209(809)	Chip Guard Screw (lower)	51768(803)	Needle Clamping Nut
1250(830)	Cloth Plate Lock Spring Screw Stud	51846	Presser Bar Lifting Bracket Roller and Stud
1324(803)	Looper (left hand) Carrier Screw	59456	Looper (left hand) Carrier Screw Washer
1324(803)	Looper (left hand) Driving Shaft Crank Key Screw	59537	Tension (heavy) Spring Bushing
1324(803)	Looper (right hand) Driving Shaft Crank Key Screw	59537	Tension (light) Spring Bushing
1324(809)	Oil Cooler Screw (short)	81201-010	Feed (back) Eccentric
1353(830)	Tension Thread Guide Screw	81201-010	Feed (front) Eccentric
1389(830)	Feed Bar Hinge Pin Set Screw	81202	Feed Eccentric Cover Bracket Oil Cover
1423(809)	Thread (looper, right hand) Thread Eyelet Screw	81203	Looper (left hand) Driving Shaft Bushing (front)
1423(819)	Feed Eccentric Cover Bracket Oil Cover Screw	81204	Looper (right hand) Driving Shaft Bushing (front)
1423	Knife (movable) Lever Guide and Needle Thread Bridge Bracket Screw	81206	Machine Frame Oil Drip Sight Gauge (background) Disc
1423	Knife (movable) Lever Guide and Needle Thread Bridge Eyelet Screw	81207	Machine Frame Oil Drip Sight Gauge Tube and Support
1443(819)	Oil Reservoir Lint Guard (back) Clamping Screw	81209-002	Machine Frame Oil Lead Tube Support complete
1443(819)	Oil Reservoir Lint Guard (front) Clamping Screw	81225	Machine Frame Rotary Shaft Oil Metering Pin (internal)
1443(809)	Machine Frame Oil Splash Guard (internal) Screw (top)	81226-002	Machine Frame Top Cover Oil Lead
		81227	Oil Agitator (right hand)
		81228	Oil Cooler
		81231	Machine Cushion (large)
		81232	Machine Mounting Post
		81233	Oil Reservoir Oil Sump Screen Cover
		81237	Oil Agitator (left hand)
		81238	Oil Reservoir Lint Guard (back)
		81263	Oil Reservoir Oil Sump Screen
		81376	Feed Eccentric Cover Bracket Splash Guard
		81388	Feed Eccentric Cover complete
		81389-002	Machine Frame Top Cover 164101 with 330(809), 81226-002 and two 164413

<u>Part No.</u>	<u>Description</u>	<u>Part No.</u>	<u>Description</u>
81426	Throat Plate	132584	Looper (right hand) Carrier Connecting Link
81433	Throat Plate Guide with 853(830).		Hinge Pin Oil Wick
82255	Knife (movable) Hinged Cover	132584	Looper (right hand) Carrier Hinge Pin Oil Wick
82256	Knife (movable) Hinged Cover Hinge	139026	Machine Frame Rotary Shaft Ball Bearing
82257	Knife (movable) Hinged Cover Pin	140050(803)	Knife (movable) Clamp Screw
82258	Knife (movable) Hinged Cover complete, Nos. 82255, 82256 and 82257	140082(805)	Oil Reservoir Oil Lump Screen Cover Screw
82259	Knife (movable) Hinged Cover Spring	140088(805)	Knife (stationary) and Needle Guard Holder Sleeve Screw
82262	Chip Guard	140088(813)	Machine Frame Oil Lead Screw
82263	Feed Lifting and Knife (movable) Eccentric	140159(830)	Looper (left hand) Driving Shaft Crank Connection Cap (upper) Screw
82264	Knife (movable) (serrated)		
82268-001	Thread (needle) Controller Lever	140159(830)	Looper (right hand) Driving Shaft Crank Connection Cap (upper) Screw
82269	Thread (needle) Controller		
82271	Presser Bar Bracket	140180	Presser Foot Screw (not illustrated)
82272	Knife (movable) Lever with 109927(869).	140346(830)	Machine Frame Oil Plug Bracket Set Screw
82273-001	Knife (movable) Lever 82272 with 82268-001, 82271, 132583 and 164035	140393(830)	Looper (left hand) Carrier Holder Set Screw (right) (not illustrated)
82274	Knife (movable) Lever Cover and Presser Bar (upright) Housing with 460.	140394(805)	Looper (left hand) Driving Shaft Bushing (back) Cap Screw
82275	Knife (movable) Lever Cover and Presser Bar (upright) Housing complete, Nos. 50060(810) 82258, 82259, 82274, 82281, 164137, 164138, 164139, 164142, 164143, 164194, 164416 and two 50318	140394(805)	Looper (right hand) Driving Shaft Bushing (back) Cap Screw
82281	Thread Eyelet (needle thread)	140395(805)	Machine Frame Bracket Screw (small)
82291	Looper (right hand) Carrier	140396(805)	Machine Frame Bracket Screw (large)
82292	Looper (right hand) Carrier Connecting Link	140416(819)	Machine Pulley Cap Screw
82293	Looper (right hand) Carrier 82291 with two each 109927(809) and 165182-002	140509(809)	Chip Guard Screw (upper)
82295	Looper (right hand) Driving Lever complete, Nos. 1700(809), 82291, 82292, 109795(803), 109796(803), 164062-001, 164068, 165142, two each 109927(869) and 165182-002	140510(803)	Presser Bar (swing-out) Pivot Screw
82297	Machine Frame Oil Lead	140596(830)	Looper (left hand) Carrier Holder Set Screw (left)
82298	Machine Frame Oil Splash Guard (internal)	140596(830)	Looper (right hand) Driving Lever Set Screw
82299	Machine Frame Oil Splash Guard (top)	140596(830)	Needle Driving Shaft Crank Set Screw
82301	Machine Frame Rotary Shaft	140788(803)	Knife (stationary) Clamping Gib Screw
82303	Machine Frame Rotary Shaft 82301 with 82306, 164215-001, 164216-001, 165245, two each 164093 and 164232	164002	Cloth Plate Extension
82305	Machine Frame Bracket and Cover (back) Gasket (rubber)	164003	Feed Bar Hinge Pin (eccentric)
82306	Machine Frame Rotary Shaft Key	164004	Feed Bar Slide Block (back)
82310	Needle Driving Shaft Bushing	164006	Feed (front) Bar with 164010.
82311	Needle Driving Shaft Bushing Cap	164007	Feed (back) Bar Connection
82314	Needle Clamp	164008	Feed (back) Bar Connection Bearing
82315	Needle Driving Shaft with 82316	164009	Feed (back) Bar Connection Hinge Screw Stud
82316	Needle Stop Pin (not illustrated)	164009	Feed (front) Bar Connection Hinge Screw Stud
82318	Needle Holder	164010	Feed (back) Bar Connection Hinge Screw Stud Position Pin (not illustrated)
82319	Needle Driving Shaft 82315 with 51768(803), 82314 and 82318	164010	Feed (front) Bar Connection Hinge Screw Stud Position Pin (not illustrated)
82329	Oil Cooler Nos. 50504(830), 81228 and two 164125	164017	Feed (front) Bar Connection
82330	Presser Bar (swing-out)	164018	Feed (front) Bar Connection Bearing
82333	Thread (Looper) Plate complete, Nos. 1423(809), 1443(809), 1607(809), 50318(818), 164163, 164165, 164166, 164167, 164173, 164206, 164449, two each 332(809) and 164171	164023	Feed Eccentric Oil Wick (not illustrated)
82337	Knife (movable) Lever Guide	164027	Knife (movable) Clamp
82338	Knife (movable) Lever Guide and Needle Thread Bridge Bracket	164028	Knife (movable) Guard (lower)
82339	Knife (movable) Lever Guide and Needle Thread Bridge Eyelet	164029-002	Knife (movable) Holder
82341	Knife (movable) Lever Guide, complete	164030	Knife (movable) Clamp Screw Bearing
82462	Machine Frame Bracket Oil Screen Screw Washer	164032	Knife (movable) Lever Bearing
87025	Looper (left hand)	164034	Knife (movable) Lever Hinge Stud
87027	Looper (right hand)	164035	Knife (movable) Lever Hinge Stud 164034 with 164036 and 164269
90155	Cloth Plate	164036	Knife (movable) Lever Hinge Stud Oil Wick (long)
90156	Cloth Plate with Extension complete, Nos. 90155, 164002, 164205, two 931084, three each 1700(809) and 51408(830)	164042	Knife (stationary) and Needle Guard Holder Sleeve
107204	Oil Reservoir Drain Plug (magnetic)	164043	Knife (stationary) and Needle Guard Holder Spring
107205	Oil Reservoir Gasket	164046	Looper (left hand) Carrier
109795(803)	Looper (right hand) Carrier Connecting Link Adjusting Screw (front)	164048	Looper (left hand) Driving Shaft
109796(806)	Looper (right hand) Carrier Connecting Link Adjusting Sleeve Cap Screw (back)	164049	Looper (left hand) Driving Shaft Bushing (back)
109875	Machine Frame Rotary Shaft Bushing (front) By-Pass Oil Control Screw	164049	Looper (right hand) Driving Shaft Bushing (back)
109876	Needle Driving Shaft Bushing Locating Screw	164051	Looper (left hand) Driving Shaft Crank with 1083(803).
109898(803)	Presser Bar Lifting Lever Stop Screw	164052-001	Looper (left hand) Driving Shaft Crank Connection with two each 109925(830) and 140159(830).
109925(830)	Looper (left hand) Driving Shaft Crank Connection Cap (lower) Screw	164052-001	Looper (right hand) Driving Shaft Crank Connection with two each 109925(830) and 140159(830).
109925(830)	Looper (right hand) Driving Shaft Crank Connection Cap (lower) Screw	164053	Looper (right hand) Driving Shaft Crank Thrust Bearing
109927(869)	Knife (movable) Lever Hinge Pin Set Screw	164053	Looper (left hand) Driving Shaft Crank Thrust Bearing
109927(869)	Looper (right hand) Carrier Connecting Link Hinge Pin Set Screw	164054	Looper (left hand) Thread Tube
109927(869)	Looper (right hand) Carrier Hinge Pin Set Screw	164062-001	Looper (right hand) Driving Lever with 1083(803) and two 140596(830).
113149	Machine Frame Rotary Shaft Nut	164063	Looper (right hand) Driving Shaft
132583	Knife (movable) Lever Hinge Pin with 132584.	164066	Looper (right hand) Driving Shaft Crank with 1083(803).
132584	Knife (movable) Lever Hinge Pin Oil Wick	164067	Looper (right hand) Driving Shaft Crank Key
		164067	Looper (left hand) Driving Shaft Crank Key
		164068	Looper (right hand) Locking Screw Stud
		164071	Machine Pulley Cap
		164077	Machine Frame Bracket Screw (large) Washer (fibre)
		164082	Machine Frame Oil Plug Bracket
		164091	Thread (Looper, right hand) Stripper and Take-up
		164093	Machine Frame Rotary Shaft Ball Sleeve (two pieces)