

SINGER
107W102

Form 2381w
(Rev. 1055)
Printed in U. S. A.

LIST OF PARTS



SINGER**

MACHINE No. 107w102

THE SINGER MANUFACTURING COMPANY

**A Trade Mark of THE SINGER MANUFACTURING COMPANY

INSTRUCTIONS FOR OILING

To insure easy running and prevent unnecessary wear of the parts which are in movable contact, the machine requires oiling, and when in continuous use, "TYPE B" or "TYPE D" OIL, sold by Singer Sewing Machine Company, should be applied at least twice each day to all oil holes marked "OIL", as instructed in Form 2083 w.

"TYPE D" OIL should be used when an oil is desired which will produce a minimum of stain on fabrics, even after a long period of storage.

Apply a few drops of oil to the bobbin case bearing each time a bobbin is replaced.

INDEX

	Page
Accessories.....	12
Bobbin Winder.....	12
Cording Attachment.....	13
Cording Attachment (with Madeira Attachment, etc.)	16
Embroidery Fittings (Wide Throw).....	14
Embroidery Hoops.....	14
Knee Lifter.....	13
Machine No. 107w102.....	5
Madeira Attachment.....	14
Needle Plates.....	16
Numerical List of Parts.....	17
Work Plate.....	16

INSTRUCTIONS FOR ORDERING

In ordering from this list, use ONLY the PART number in the FIRST column.

The number stamped on a Sewing Machine Part is the number of the Single Part only, except when the part includes Set Screws, Clamping Screws, Studs and Rollers Spun on, Small Wires riveted, or Parts soldered together, etc., which it is necessary to furnish in combination.

Every combination of parts sent out has its specific number which, although not stamped on Parts (except in above case), must be used when ordering the combination.

Each number always indicates the SAME PART in whatever list it appears, or for whatever Machine.

The letters after some of the numbers indicate the style of finish only, as follows:

- A—Hardened, Polished, Nickel Plated and Buffed.
- AL—Heat Treated for Toughness.
- ALX—Heat Treated for Toughness and Black Oxide.
- B—Polished, Nickel Plated and Buffed.
- C—Hardened only.
- D—Polished only.
- E—Soft, Not polished.
- F—Hardened and Polished.
- J—Nickel Plated only.
- R—Merlized.
- X—Black Oxide, for Iron and Steel.
- XC—Hardened and Black Oxide, for Iron and Steel.
- Y—Black Nickel Plated only.
- Z—Chromium Plated.

These letters MUST BE USED when they appear in the list and AFTER the number, as in the list.

In this series

1 to 1500, 200001 to 201500 and 350001 to 351500 are Screw Numbers.

1501 to 1800, 201501 to 201800 and 351501 to 351800 are Nut Numbers.

1801 to 2000, 201801 to 202000 and 351801 to 352000 are Roller Numbers.

2001 to 50000 and 202001 to 350000 are Numbers of Machine Parts.

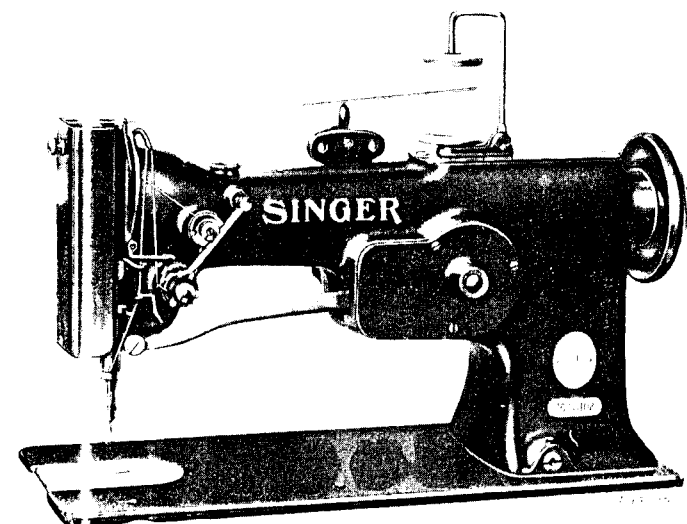
The figures in the second column refer only to the plate in which the illustration of the part is shown and are NOT TO BE USED in ordering.

Two or more numbers over a cut indicate that the difference between such parts is not visible in an illustration.

Parts marked with an asterisk (*) are furnished only when repairs are made at the factory.

LIST OF PARTS COMPLETE

FOR



MACHINE No. 107w102

FOR FLAT EMBROIDERY WORK. HAS HAND ADJUSTING LEVER FOR THROWING THE STITCH ALL TO THE RIGHT, ALL TO THE LEFT OR FROM A CENTRAL POSITION FOR OVERSEAMING UP TO 1/2 INCH IN WIDTH. NO FEED MECHANISM OR PRESSER BAR PARTS.

No.	Plate	Name
*224301	-----	Arm with 202135
203007	18918	" Cap
200218X	18918	" " Screw
202208	18918	" " " Washer
203009	18918	" " Spool Holder Base
203000	18918	" " " " " 203089 with 200079X and 204296
200505X	18918	Arm Cap Spool Holder Base Screw
204206	18918	" " " " Wire

No.	Plate	Name
200079X	18918	Arm Cap Spool Holder Wire Hinge Screw
203088	18918	Arm Cap and Spool Holder complete, Nos. 203087, 203090 and two 200585X
204235	16820	Arm Position Pin (2)
200004E	16820	" Screw
200010E	16820	" Screw (2)
202005	16820	" " Washer (3)
233229	18918	" Shaft with 224392 and 350431E
240802	18918	" " Bushing (back) with 202244
202244	18918	" " " " Oil Packing (wick)
200338C	18918	" " " " Set Screw
224423	18918	" " " (front) with 202244
202244	18918	" " " " Oil Packing (wick)
200502X	18918	" " " " " Thumb Screw
200341C	18918	Arm Shaft Bushing (front) Set Screw
224303	18919	" " Connection Belt
202635	18919	" " " " Pulley with 200327C, 200602C and two 202253
200602C	18919	Arm Shaft Connection Belt Pulley Position Screw
200327C	18919	Arm Shaft Connection Belt Pulley Set Screw
202253	18919	Arm Shaft Connection Belt Pulley Spring Flange
224392	18918	Arm Shaft Oil Packing (wick)
350431E	18918	" " " " Stop Screw
*233222	-----	Bed
210844	16820	" Hinge Connection (2)
200060E	16820	" " " " Screw (4)
263099	18920	Bobbin
224416	18920	" Case Base
224417	18920	" " Cap with 200598C, 201016C and 224421
224418	18920	Bobbin Case Cap complete, Nos. 200964C, 210736, 210914 and 224417
210913	18920	Bobbin Case Latch
210914	18920	" " " " 210913 with 210734 and 210735
210735	18920	Bobbin Case Latch Fulcrum Pin
210734	18920	" " " " Lever
210736	18920	" " " " Spring
200964C	18920	" " " " Stop Screw
224311	18919	" " Stop
200076D	18919	" " " " Screw
224421	18920	" " Tension Spring
201016C	18920	" " " " Regulating Screw
200598C	18920	Bobbin Case Tension Spring Screw
224419	18920	Bobbin Case complete, Nos. 224416 and 224418
224314	16820	Face Plate
202135	16820	" " Position Pin
200462X	16820	" " Thumb Screw
*224427	-----	Hook (sewing)
224428	18920	" 224427 with 200145C, 203101, 224330, 224339 and three 200596F

No.	Plate	Name
224325	18920	Hook and Bobbin Case complete, Nos. 224419 and 224428
224422	18919	Hook Driving Gear (spiral) with 200383C and 200398C
200398C	18919	Hook Driving Gear (spiral) Position Screw
200383C	18919	Hook Driving Gear (spiral) Set Screw
224326	18919	" " " " Shaft
202661	18919	" " " " Belt Pulley with 202324 and two 200378C
200378C	18919	Hook Driving Gear Shaft Belt Pulley Set Screw
202324	18919	Hook Driving Gear Shaft Belt Pulley Spring Flange
224327	18919	Hook Driving Gear Shaft Bushing (back)
200362C	18919	" " " " " " " " Set Screw
224328	18919	Hook Driving Gear Shaft Bushing (front)
200346C	18919	" " " " " " " " Set Screw
202260	18919	Hook Driving Gear Shaft Oil Packing (wick)
224329	18919	Hook Gear (spiral) with two 200383C
200383C	18919	" " " " Set Screw
224330	18920	" Gib
200596F	18920	" " Screw
203101	18920	" Oil Wick
200915F	18919	" Position Screw
210537	18919	" Shaft (hollow)
210539	18919	" " Bushing
210621	18919	" " " " 210539 with 210537 and 350314F
224392	18919	Hook Shaft Bushing Oil Packing (wick)
200335C	18919	" " " " Set Screw
200363AL	18919	" " " " " Screw
244084	18919	" " " " " Packing (fibre)
350314F	18919	Hook Shaft Position Screw
224331	16816	" Timing Lever
224332	16816	" " " " Connecting Link
201213C	16816	" " " " " Hinge Screw Stud
201520C	16816	Hook Timing Lever Connecting Link Hinge Screw Stud Nut
224333	16816	Hook Timing Lever Connecting Swivel with 202277
202277	16816	Hook Timing Lever Connecting Swivel Oil Packing (wick)
224335	18919	Hook Timing Lever Connecting Swivel Stop Collar with two 201052C (2)
201052C	18919	Hook Timing Lever Connecting Swivel Stop Collar Set Screw
224336	16816	Hook Timing Lever Driving Arm
224337	16816	" " " " " " Bearing
200252C	16816	" " " " " " Hinge Screw
201528F	16816	Hook Timing Lever Driving Arm Hinge Screw Nut

No.	Plate	Name
202622	16816	Hook Timing Lever Driving Arm Washer
224386	16816	Hook Timing Lever Shaft with 224390
204197	16816	" " " " Collar with 200113F
200113F	16816	Hook Timing Lever Shaft Collar Set Screw
224390	16816	Hook Timing Lever Shaft Oil Packing (wick)
200363AL	16816	Hook Timing Lever Shaft Set Screw
224388	16816	Hook Timing Lever and Needle Bar Frame Pitman complete, Nos. 200252C, 201180C, 201181C, 201213C, 201518E, 201520C, 201522E, 201528F, 202622, 224331 to 224333, 224336, 224337, 224344, 224352 and 224353
224339	18920	Hook Washer Needle Guard
200145C	18920	" " " " Screw
237793	18918	Machine Pulley (aluminum alloy casting) "V" belt groove (outside diam. of belt groove 2.9 in.) with 350540C and 350541C
350419X	18918	Machine Pulley Adjusting Screw
350540C	18918	" " Position Screw
350541C	18918	" " Set Screw
233122	16818	Needle Bar with 200141F
224340	16818	" " Connecting Link
224341	16818	" " " " Stud with 202254
202254	16818	Needle Bar Connecting Link Stud Oil Packing (wick)
200383C	16818	Needle Bar Connecting Link Stud Set Screw
200374AL	16818	Needle Bar Connecting Link Stud Set Screw
210544	16818	Needle Bar Connecting Stud with 202277
210585	16818	" " " " 210544 with 210882
202277	16818	Needle Bar Connecting Stud Oil Packing (wick)
210882	16818	Needle Bar Connecting Stud Swivel with 200387C
224342	16818	Needle Bar Crank with 200335C, 200374AL, 200383C, 200428C and 224341
224384	16818	Needle Bar Crank 224342 with 202399, 202400, 210585, 224340 and 224372
203172	16818	Needle Bar Crank Friction Washer
200428C	16818	" " " Position Screw
200335C	16818	" " " Set Screw
224343	16818	" " Frame with 200070C
210547	16818	" " " Guide Stud
200334C	16818	" " " " Set Screw
210548	16818	" " " Hinge Stud
200334C	16818	" " " " Set Screw
224344	16816	" " " Pitman
210557	16816	" " " " Eccentric Stud
200070C	16818	" " " " " "
		Set Screw

No.	Plate	Name
224346	16817	Needle Bar Position Bracket with 200378C and 200917C
200917C	16817	Needle Bar Position Bracket Position Screw
200378C	16817	Needle Bar Position Bracket Set Screw
224347	16817	Needle Bar Position Lever with 200378C and 200917C
201182E	16817	Needle Bar Position Lever Locking Screw Stud
224348	16817	Needle Bar Position Lever Locking Screw Stud Cap
205526	16817	Needle Bar Position Lever Locking Screw Stud Spring
200917C	16817	Needle Bar Position Lever Position Screw
200378C	16817	Needle Bar Position Lever Set Screw
224389	16817	Needle Bar Position Lever complete, Nos. 201182E, 205526, 224347 and 224348
200387C	16818	Needle Bar Set Screw
233201	16820	" Plate
234452	16820	" " Locking Slide
200321D	16820	" " " " Screw
200141F	16818	" Set Screw
224424	16816	" Vibrator Cam (steel) with 200378C and 200383C
200378C	16816	Needle Vibrator Cam Set Screw
200383C	16816	" " " " Screw
210718	16816	" " " Shaft
224351	16816	" " " " Bearing and Cover
200566D	16816	Needle Vibrator Cam Shaft Bearing and Cover Screw (3)
210559	16816	Needle Vibrator Cam Shaft Collar with two 200378C
200378C	16816	Needle Vibrator Cam Shaft Collar Set Screw
224352	16816	Needle Vibrator Crank with 200382C and 200917C
224353	16816	Needle Vibrator Crank Link
201180C	16816	" " " " Hinge Screw (lower)
201522E	16816	Needle Vibrator Crank Link Hinge Screw (lower) Nut
201181C	16816	Needle Vibrator Crank Link Hinge Screw (upper)
201518E	16816	Needle Vibrator Crank Link Hinge Screw (upper) Nut
208554	16816	Needle Vibrator Crank Oil Tube (brass)
200917C	16816	" " " Position Screw
200382C	16816	" " " Set Screw
224354	16817	" " " Shaft
224355	16817	" " " " and Needle Bar Position Lever Connection
210699	16816	Needle Vibrator Gear (spiral) with two 200382C
200382C	16816	Needle Vibrator Gear (spiral) Set Screw
203172	16816	" " " Thrust Washer

No.	Plate	Name
224409	16817	Needle Vibrator Operating Bell Crank
200224X	16817	" " " " "
		Hinge Screw
224410	16817	Needle Vibrator Operating Bell Crank Link
200281D	16817	Needle Vibrator Operating Bell Crank Link Hinge Screw (2)
224358	16817	Needle Vibrator Operating Lever with 200378C and 200917C
200917C	16817	Needle Vibrator Operating Lever Position Screw
200378C	16817	Needle Vibrator Operating Lever Set Screw
224415	16817	Needle Vibrator Operating Rod with 202302
202302	16817	Needle Vibrator Operating Rod Cotter Pin
224411	16817	Needle Vibrator Operating Rod Roller
224412	16817	" " " " "
		Bracket with 200113F
200113F	16817	Needle Vibrator Operating Rod Roller Bracket Set Screw
200270X	16817	Needle Vibrator Operating Rod Roller Hinge Screw
224413	16817	Needle Vibrator Operating Rod Roller Bracket complete, Nos. 200270X, 224411 and 224412
210700	18918	Needle Vibrator Pinion (spiral) with two 200382C
200382C	18918	Needle Vibrator Pinion Set Screw
224407	16817	" " Spring
201284E	16817	" " Screw Stud
224408	16817	" " " " Collar
		with two 200113F
200113F	16817	Needle Vibrator Spring Screw Stud Collar Set Screw
224360	16817	Needle Vibrator Stop Bracket with two 200374AL (for width of throw)
200374AL	16817	Needle Vibrator Stop Bracket Set Screw
224381	16817	" " " Index Finger
200330C	16817	" " " Screw (for zero stops) (3)
200340ALX	16817	Needle Vibrator Stop Screw Set Screw (3)
224361	16817	Needle Vibrator Stop Screw Set Screw Packing (brass) (3)
224382	16817	Needle Vibrator Stop Segment
201638D	16817	" " " " Locking Nut
201179E	16817	Needle Vibrator Stop Segment Locking Nut Check Screw
224383	16817	Needle Vibrator Stop Segment Locking Nut Washer
200077D	16817	Needle Vibrator Stop Segment Screw
224371	16818	Take-up (auxiliary)
200132E	16818	" " Screw
224372	16818	" Lever
202399	16818	" " Driving Stud with 202277

No.	Plate	Name
202277	16818	Take-up Lever Driving Stud Oil Packing (wick)
202400	16818	Take-up Lever Hinge Stud with 202423
202423	16818	" " " " Oil Packing (wick)
200383C	16818	Take-up Lever Hinge Stud Set Screw
202401	16818	" " Oiling Felt
200132E	16818	" " " " Screw
244048	18921	Tension Disc (back)
244049	18921	" " (front)
202405	18921	" Release Washer
202407	18921	" Spring
200625F	18921	" Stud with 204925
200061ALX	18921	" " Set Screw
204925	18921	" " Washer
201572X	18921	" Thumb Nut
202409	18921	Tension complete, Nos. 200625F, 201572X, 202405, 202407, 202410, 244048 and 244049
201184J	18921	Thread Controller Bearing (screw)
201637X	18921	" " " Check Nut
244048	18921	" " Disc
224405	18921	" " Cap
200577AL	18921	" " " " Screw
224373	18921	" " " Position Pin
224374	18921	" " Releasing Plunger
224375	16818	" " " " Roller
224376	18921	" " " " Spring
202410	18921	" " Spring
241443	18921	" " " Stop
200132E	18921	" " " " Screw
224406	18921	Thread Controller complete, Nos. 200577AL, 201184J, 201637X, 224373, 224374, 224376, 224405 and two 244048
224387	16818	Thread Guide (on Needle Bar Frame)
200172X	16818	" " " " " " " " Screw
210788	18921	Thread Guide (lower)
210592	18921	" " (upper)
200582X	18921	" " " Screw (2)
233202	16820	Throat Plate
233203	16820	" " Spring
200138D	16820	" " " Screw
233223	16820	" " " Washer
233204	16820	Throat Plate complete, Nos. 233202, 234452, two 200321D, three each 233203, 233223 and six 200138D

ACCESSORIES

No.	Plate	Name
200157E	18922	Attachment Screw
263099	18922	Bobbin (2)
228213	17657	Drip Pan (long) with four 3/4 in. wire nails
208676	18922	Embroidery Hoop, 12 inch
41400	18922	Machine Rest Pin (wood)
135 x 7	-----	Needles, seven, size 9
120342	18922	Oiler (copper plated) with 120343
120343	18922	" Spout, 3-1/2 in. long
225498	18922	Screw Driver (7-1/4 in. long)
228476	18922	" " (Bobbin Case)
225434	18922	Spool Pin
225554	18922	Wrench (steel)

BOBBIN WINDER

(SWINGING AUTOMATIC, RIGHT HAND)

FOR "V" BELT DRIVE

259428	17853	Brake (leather)
259429	17853	" Clamp
200113F	17853	" " Screw
225453	17853	Frame with 202277 and 259660
225454	17853	" Hinge Pin
202277	17853	" Oil Packing (wick)
259660	17853	" " Well Washer
225455	17853	" Spring
225456	17853	" " Plunger
259461	17853	Pulley with 200380C
200380C	17853	" Set Screw
225381	17853	Spindle
225444	17853	Stop Latch
200056E	17853	" " Screw
225458	17853	" " Thumb Lever
225459	17853	" " " " Hinge Stud
225459	17853	" " " " Joint Stud
202478	17853	" " Trip Lever
200299X	17853	" " " " Hinge Screw
225461	17853	Tension Bracket with 201499X
200082D	17853	" " Screw
228026	17853	" " " " Washer
2102	17853	" Disc
13710	17853	" Spring
201499X	17853	" Stud
201572X	17853	" " Thumb Nut

No.	Plate	Name
225462	17853	Bobbin Winder Tension Bracket complete, Nos. 13710, 201572X, 225461 and two 2102
259662	17853	Bobbin Winder and Tension Bracket Base
259462	17853	Universal Bobbin Winder complete, Nos. 200056E, 200082D, 200113F, 200299X, 202478, 225381, 225444, 225453 to 225456, 225458, 225462, 228026, 259428, 259429, 259461, 259662, two each 225459 and wood screws 3/4 in., No. 12, R.H. B.

Note: Bobbin Winder 259462 is furnished with this Machine unless Bobbin Winder 259431 is specified on order

KNEE LIFTER

228713	18580	Rock Lever with two 350231C
228707	18580	" " Bracket with 200347AL and three wood screws 7/8 in., No. 12
228709	18580	Rock Lever Bracket 228707 with 228363, 228367, 228386, 228455 and 228713
228370	18580	Rock Lever Extension with 200530C
350231C	18580	" " " " Set Screw
228363	18580	" " Hinge Pin
228364	18580	" " Knee Plate with 350231C
228388	18580	" " " " Arm
350231C	18580	" " " " " Set Screw
350231C	18580	" " " " " Set Screw
228455	18580	" " Position Spring
228365	18580	" " Rod
200530C	18580	" " " " Set Screw
228386	18580	" " Spring
228367	18580	" " Stop Stud
200347AL	18580	" " " " Set Screw
228710	18580	Knee Lifter Rock Lever complete, Nos. 228364, 228365, 228370, 228388 and 228709

(Other Knee Lifter Parts are Listed with Parts of Machine Head)

CORDING ATTACHMENT

233213	16823	Cord Guide Arm with 1019C
291B	16823	" " " Thumb Screw
233218	16823	" " Bracket with 291B
200678F	16823	" " " Hinge Screw
8388	16823	" " " Spring
233219	16823	" " " " Plunger

No.	Plate	Name
233220	16823	Cord Guide Bracket Support
200352C	16823	" " " " Set Screw
233215	16823	" " Tube (small)
233216	16823	" " (large)
1019C	16823	" " " Set Screw
233221	16823	Cord Guide (hinged) complete, Nos. 8388, 200352C, 200678F, 233213, 233215, 233216 and 233218 to 233220

EMBROIDERY FITTINGS

(WIDE THROW)

210505	18924	Bed Plate (back)
200577AL	18924	" " " Screw (2)
233227	18924	" Slide (front)
233228	18924	Throat Plate
200577AL	18924	" " Screw (2)

EMBROIDERY HOOPS

208676	18922	Embroidery Hoop, 12 inch
233226	18922	" Hoop, 4 inch

MADEIRA ATTACHMENT

233205	18923	Foot Lifter Lifting Lever
200262X	18923	" " " " Hinge Screw
233206	18923	Needle Vibrator Adjustable Stop Spindle
233207	18923	" " " " " "
184C	18923	End Piece with 184C Needle Vibrator Adjustable Stop Spindle Hinge Screw
1776C	18923	Needle Vibrator Adjustable Stop Spindle Lock Nut
233208	18923	Needle Vibrator Adjustable Stop Spindle Support
350226E	18923	Needle Vibrator Operating Bell Crank Hinge Screw
233209	18923	Needle Vibrator Stop Segment
244033	18923	Presser Bar (hollow)
238097	18923	" " 244033 with 201462F
224391	18923	" " Bushing
200352C	18923	" " " Set Screw
202554	18923	" " Lifter

No.	Plate	Name
200653C	18923	Presser Bar Lifter Hinge Screw
210789	18923	" " Lifting Releasing Lever Bracket
200260E	18923	Presser Bar Lifting Releasing Lever Bracket Guide Screw
206608	18923	Presser Bar Lifting Releasing Lever Bracket Spring
202337	18923	Presser Bar Position Guide
202338	18923	" " " " Lever with 200086F
200086F	18923	Presser Bar Position Guide Lever Pinch Screw
200352C	18923	Presser Bar Position Guide Set Screw
202378	18923	" " Spring
202346	18923	" " " Stop Rod
200492X	18923	" " Thumb Screw
200475X	18923	" " " " Thumb Set Screw
244084	18923	Presser Bar Thumb Screw Thumb Set Screw Packing (fibre)
233210	18923	Presser Foot, for Eyelets 7/64 and 5/32 in. diameter
233211	18923	Presser Foot, for Eyelets 3/16 and 1/4 in. diameter
201462F	18923	Presser Foot Screw
224402	18923	Tension Release Lever
224403	18923	" " " 224402 with 200289E, 201537X and 224404
200289E	18923	Tension Release Lever Hinge Screw
201537X	18923	" " " " " Nut
224404	18923	" " " " Stud
200389C	18923	" " " " " Set Screw
202404	18923	Tension Release Plunger
234446	18923	Throat Plate Spur, for Eyelets 7/64 in. diameter
234511	18923	Throat Plate Spur, for Eyelets 5/32 in. diameter
234512	18923	Throat Plate Spur, for Eyelets 3/16 in. diameter
234513	18923	Throat Plate Spur, for Eyelets 1/4 in. diameter
14372	18923	Treadle
227678	18923	" Chain, 48 in. long, with 202784
202784	18923	" " Hook
14373	18923	" Extension
50581R	18923	" " Screw
2718R	18923	" " " Washer
17881	18923	" Shaft
14374	18923	" Spring
14375	18923	" Stand
14376	18923	Treadle complete, Nos. 2718R, 14372 to 14375, 17881, 50581R and two wood screws, 1-1/4 in., No. 12, F.H.

Form 2769W

Instructions for applying Madeira
Attachment 233212

No.	Plate	Name
233212	18923	Madeira Attachment complete, Nos. 1776C, 14376, 200260E, 200262X, 200389C, 200475X, 200492X, 200653C, 202337, 202338, 202346, 202378, 202404, 202554, 206608, 210789, 224391, 224403, 227678, 233205 to 233211, 234446, 234511 to 234513, 238097, 244084, 350226E, Form 2769W and two 200352C

CORDING ATTACHMENT

USED WITH MADEIRA ATTACHMENT No. 233212

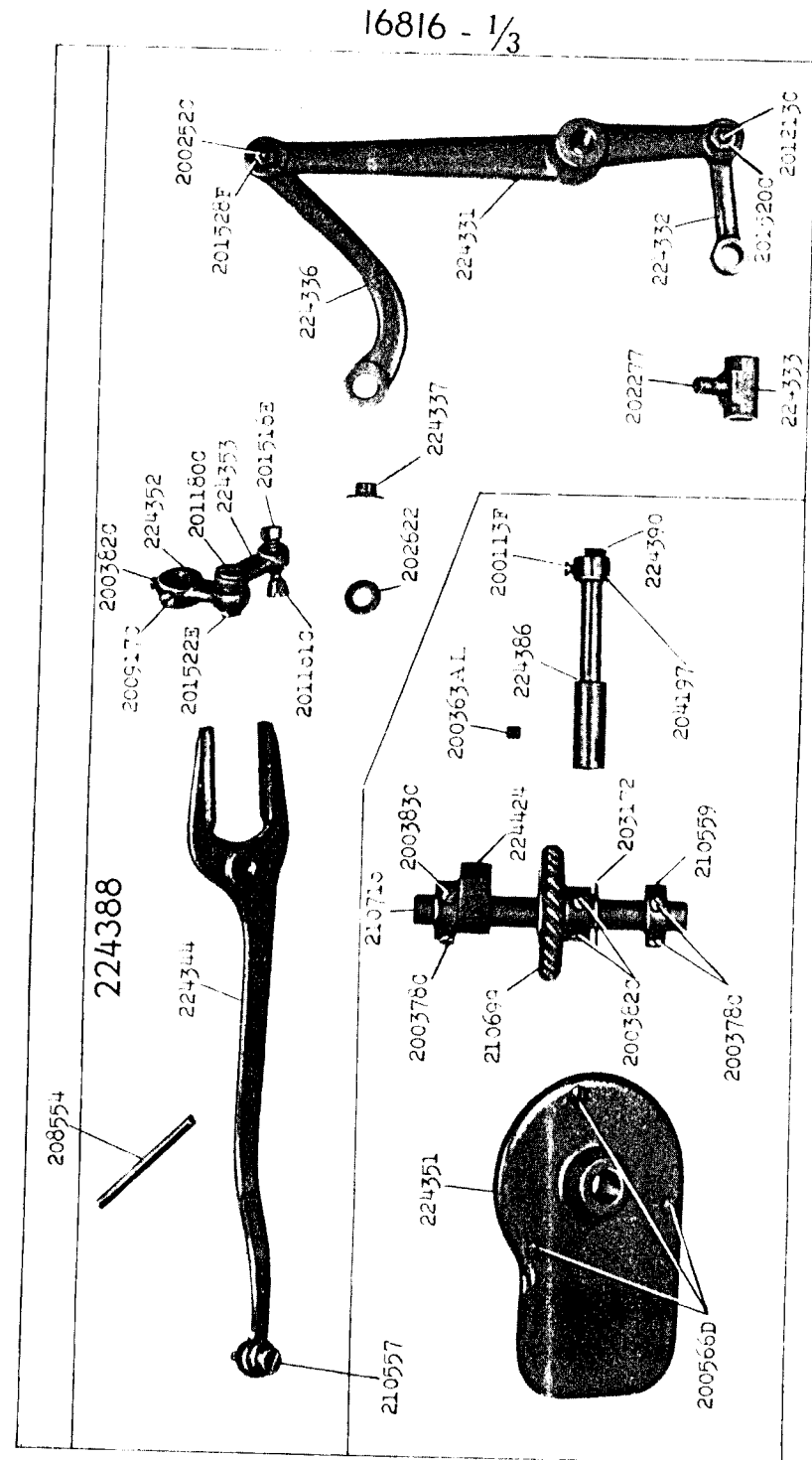
233213	16823	Cord Guide Arm with 1019C
291B	16823	" " " Thumb Screw
233214	16823	" " Bracket with 291B
233215	16823	" " Tube (small)
233216	16823	" " " (large)
1019C	16823	" " " Set Screw
233217	16823	Cord Guide complete, Nos. 233213 to 233216

NEEDLE PLATES

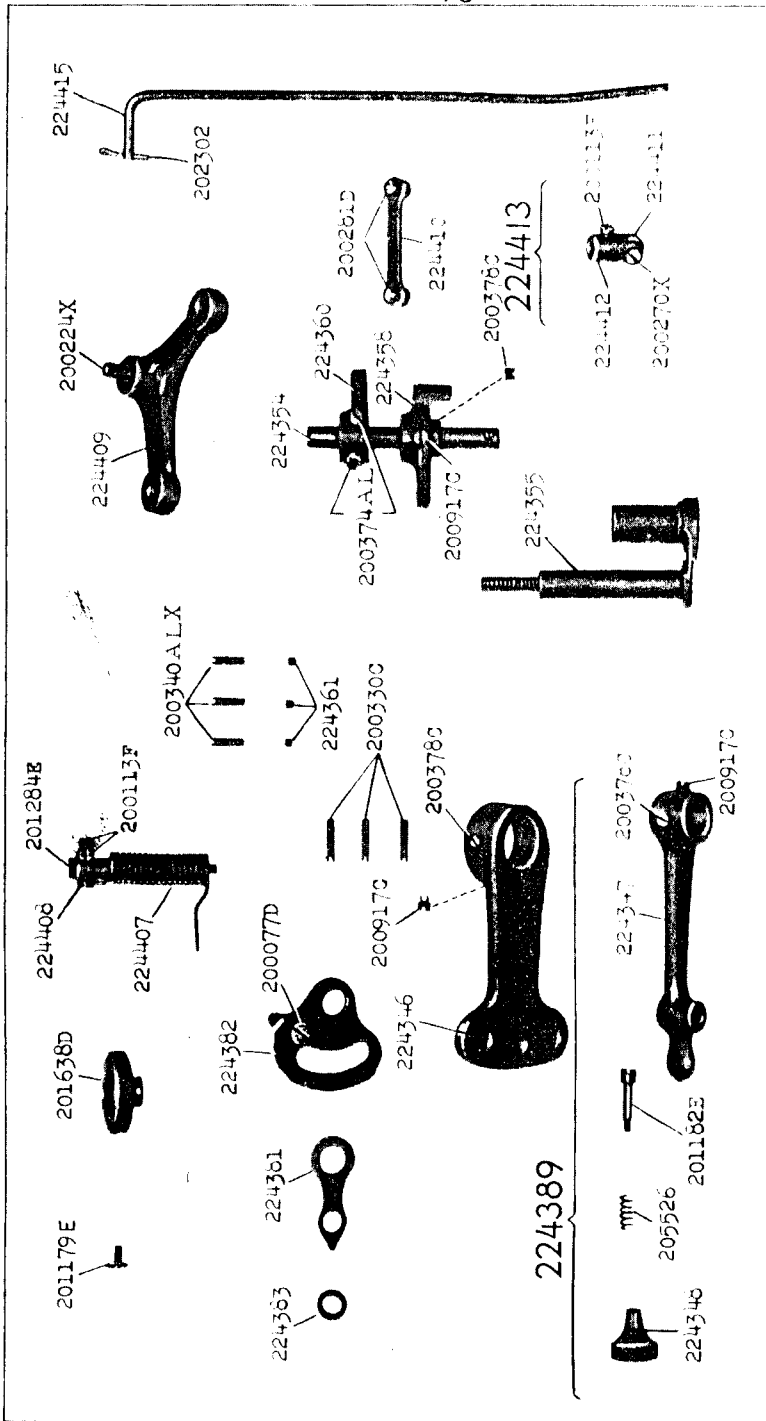
233201	16820	Needle Plate
233224	18924	" " for use with 233225

WORK PLATE

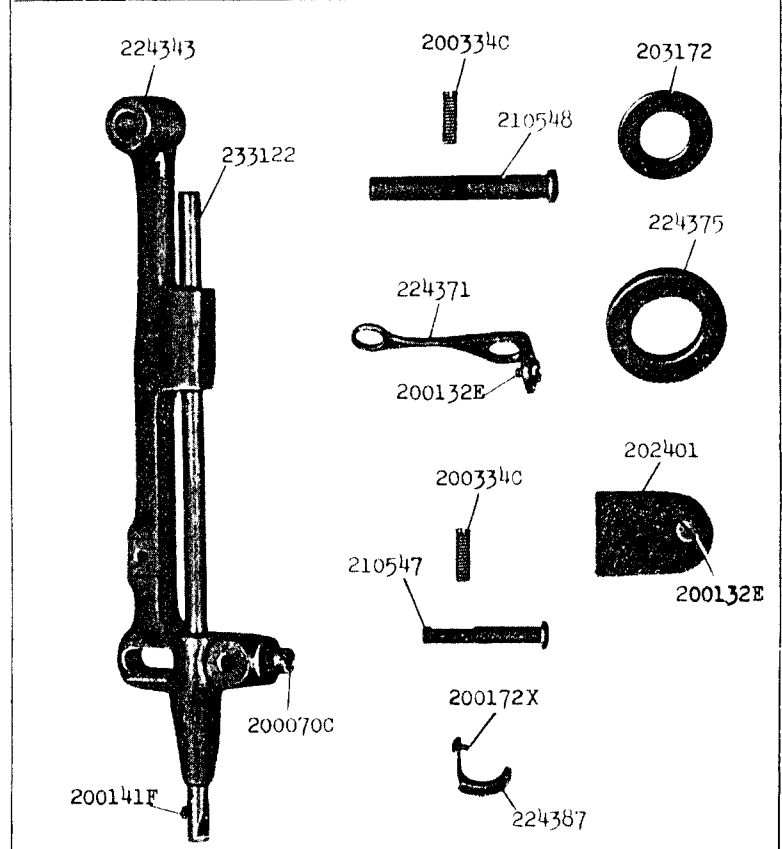
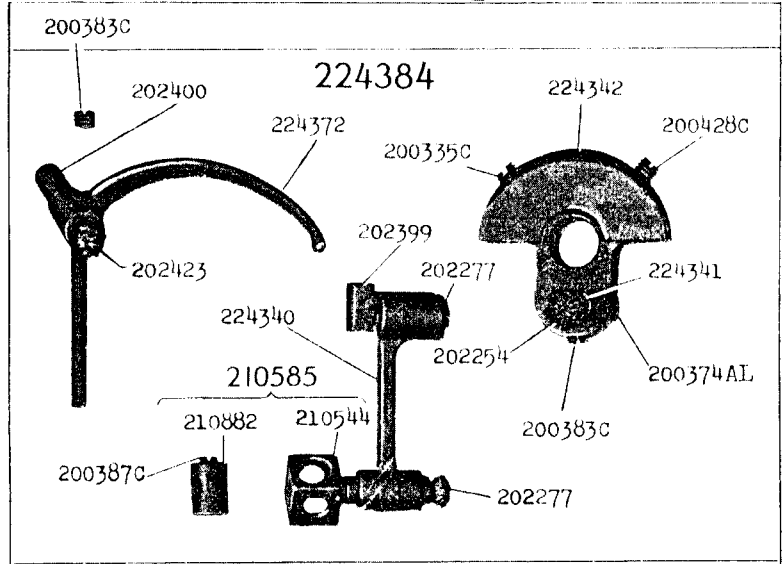
233225	18924	Work Plate, 18-3/8 in. long and 11-3/4 in. wide, for use with 12 in. embroidery hoop
--------	-------	--



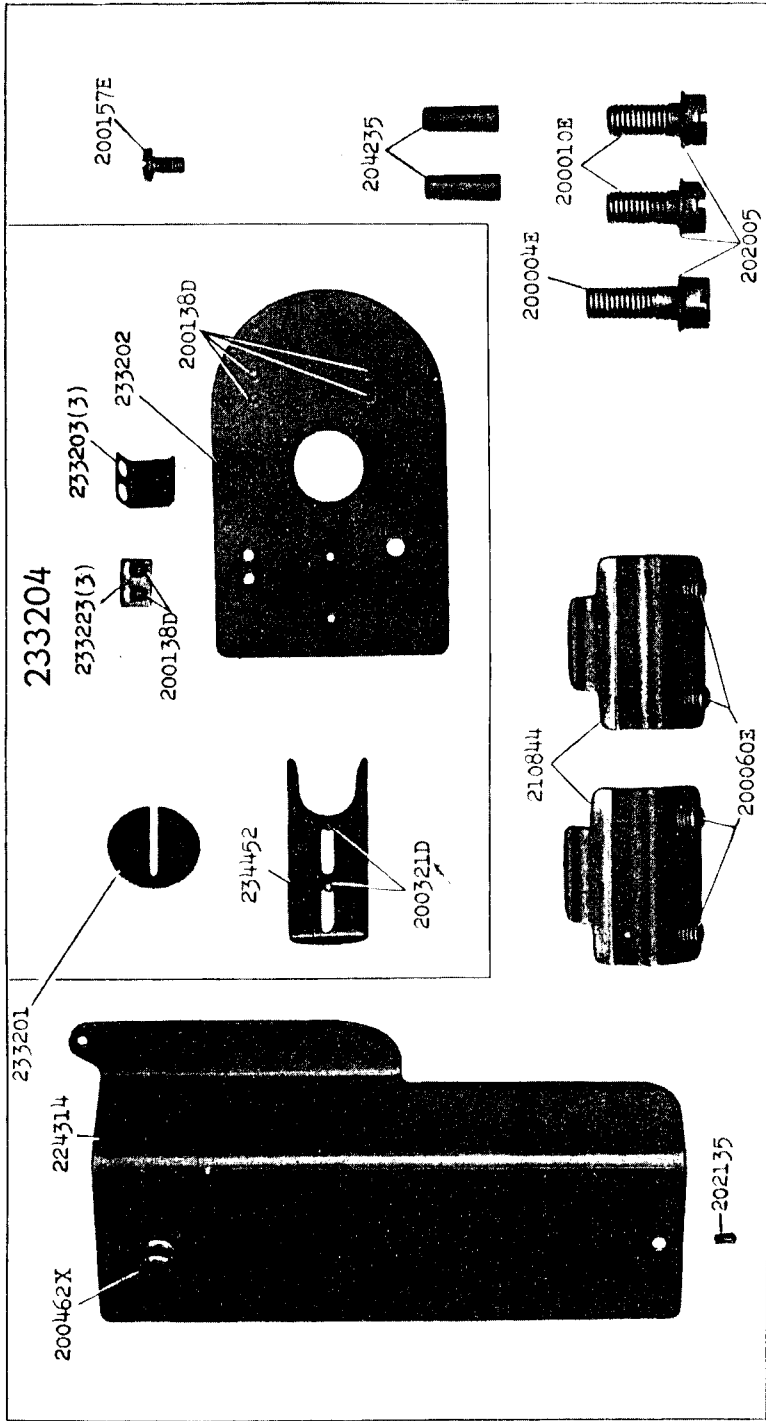
16817 - 1/3



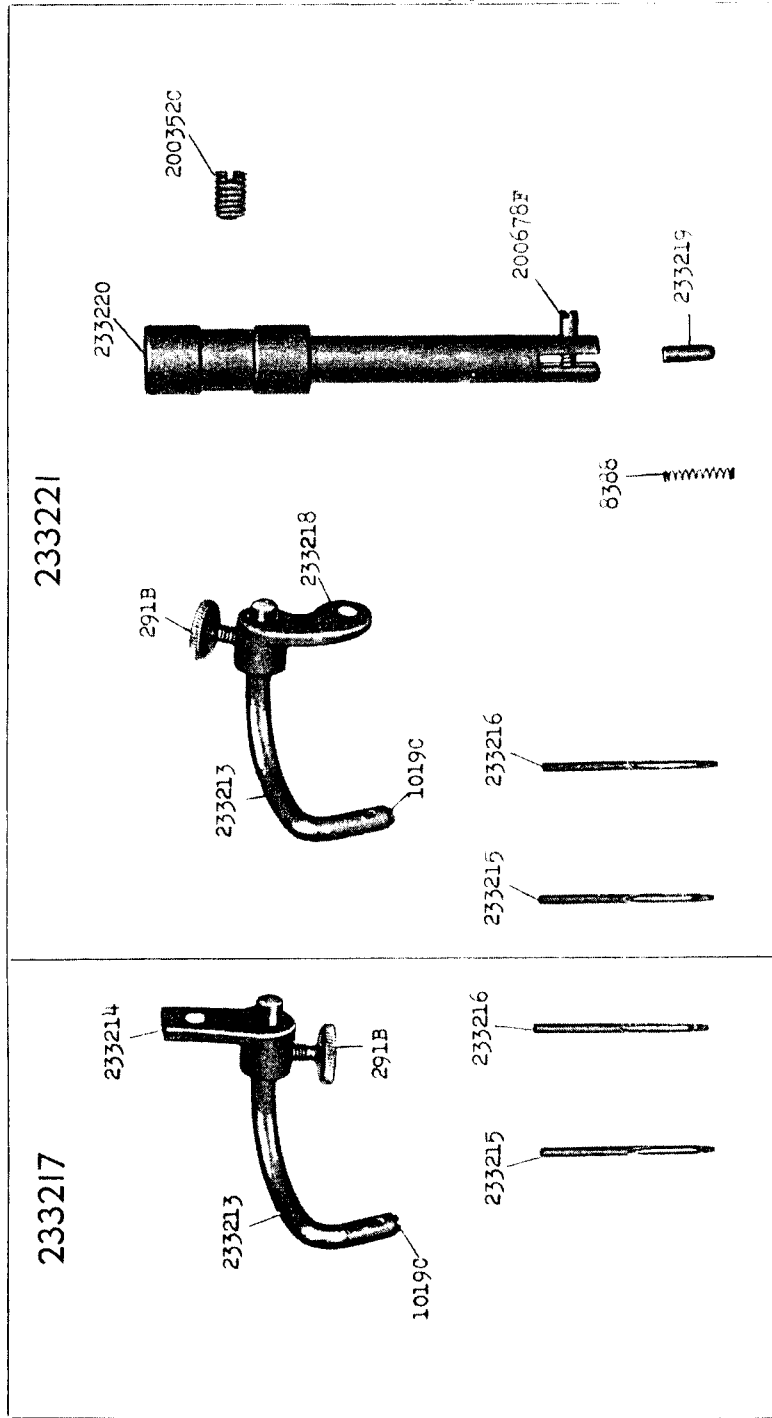
16818 - 1/2



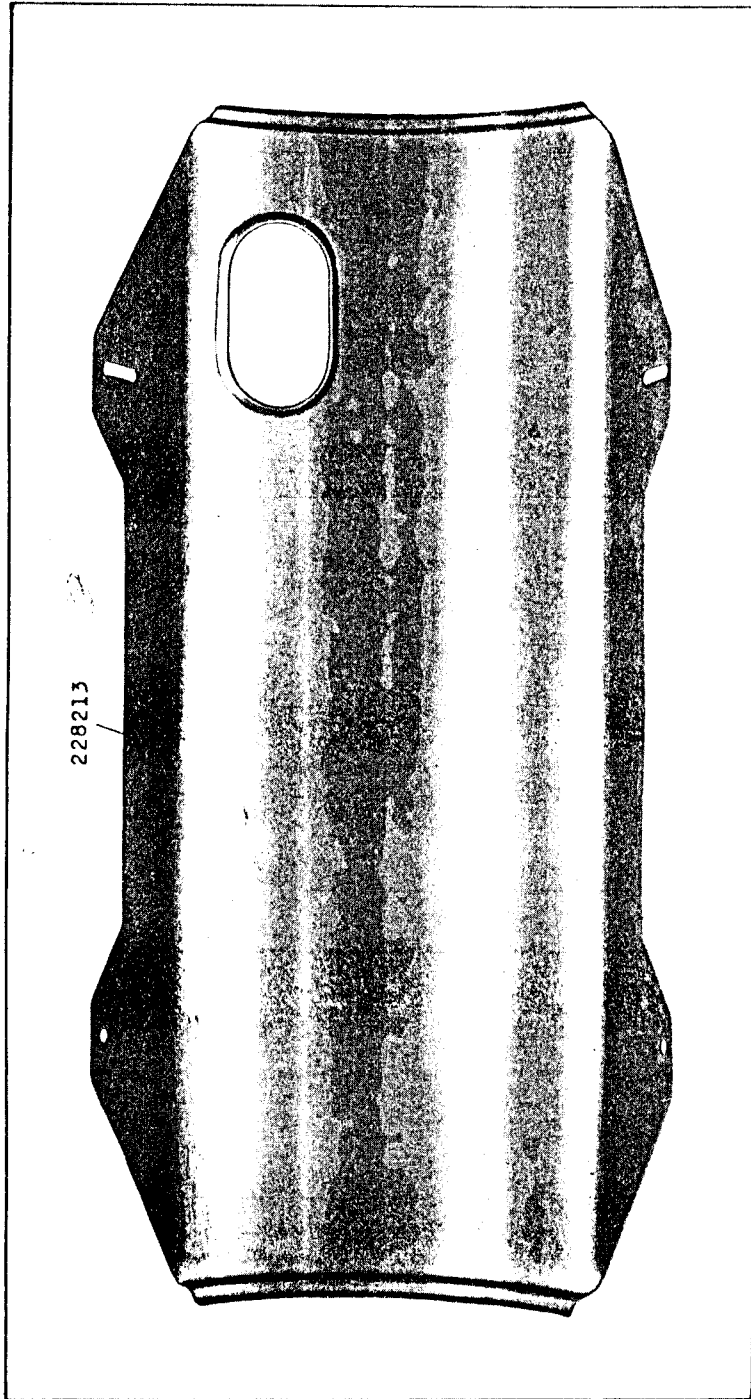
16820 - 1/2



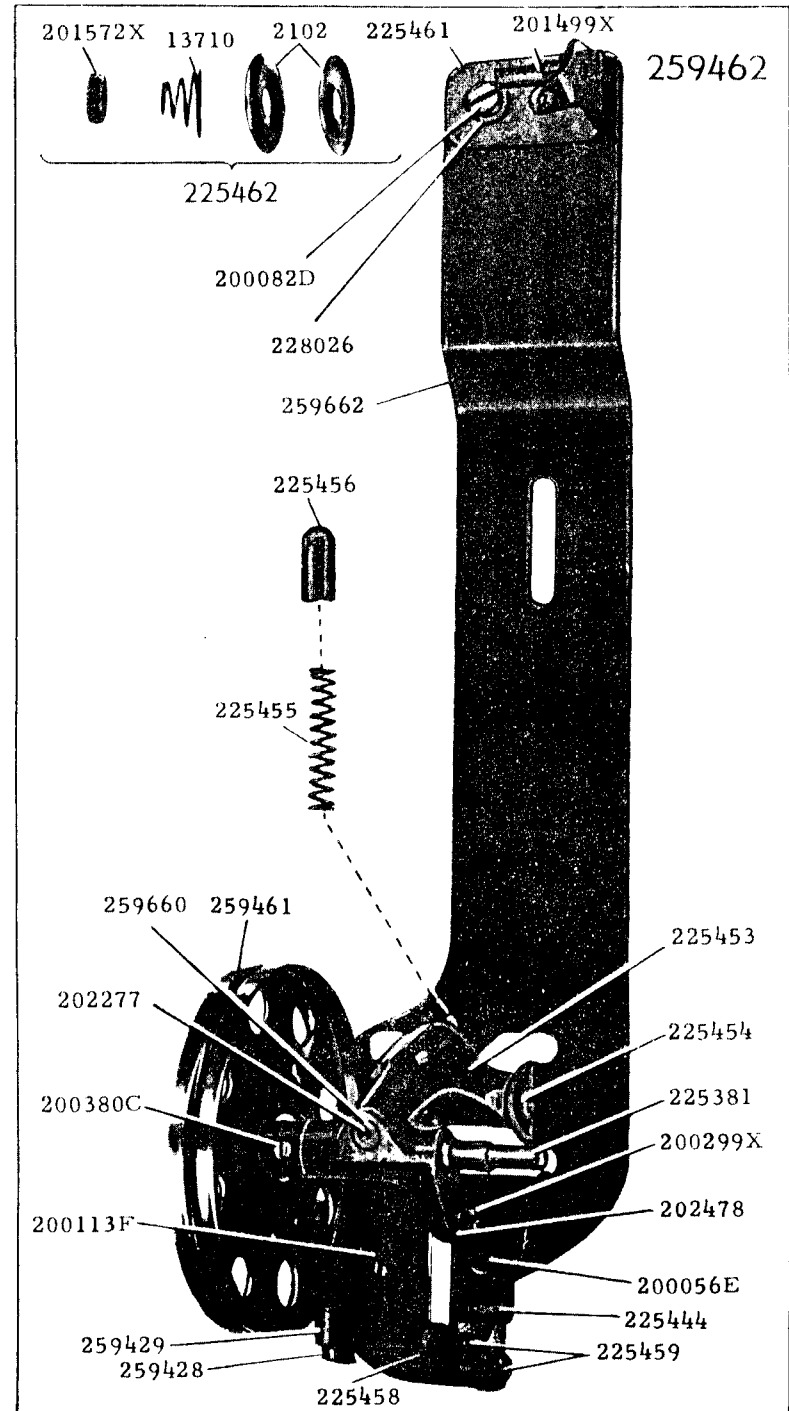
16823 - 3/4



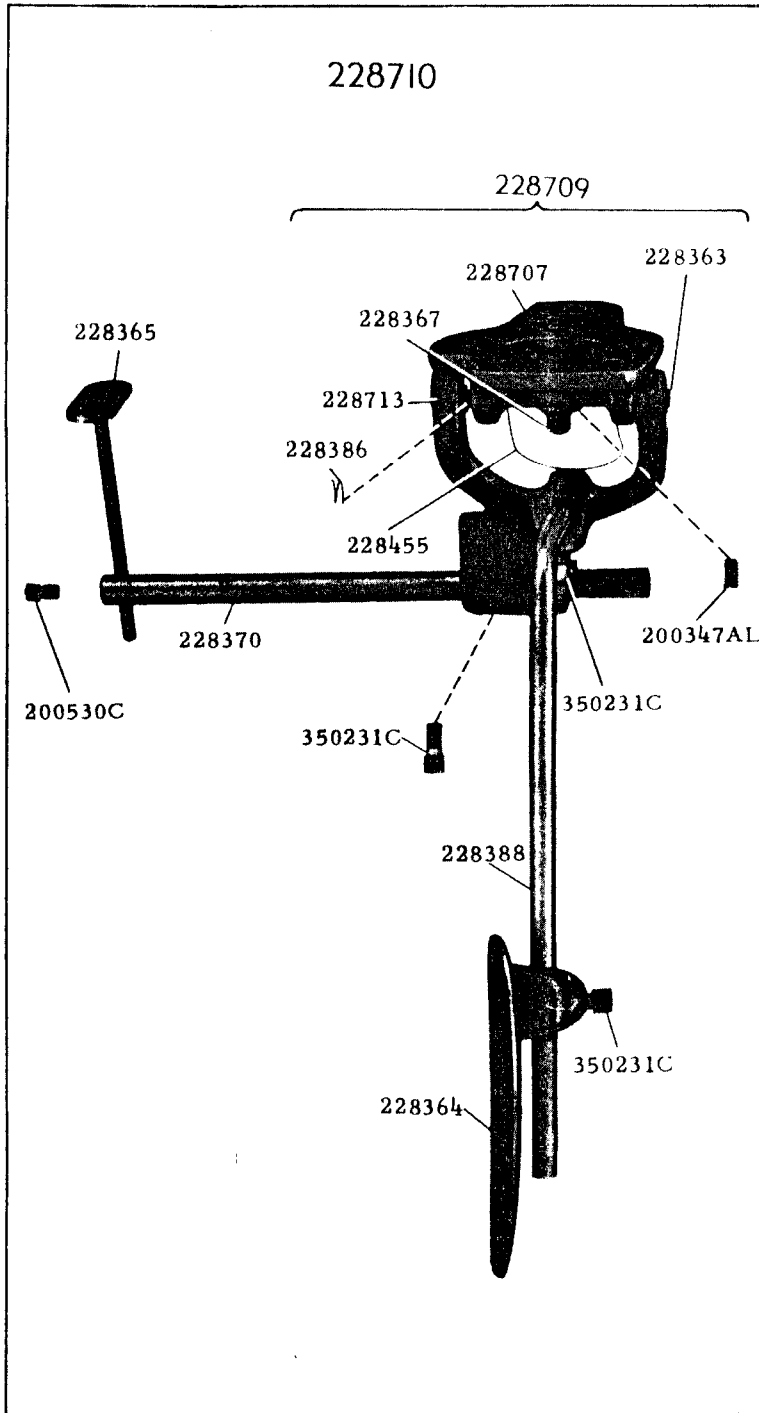
17657 - 3/8



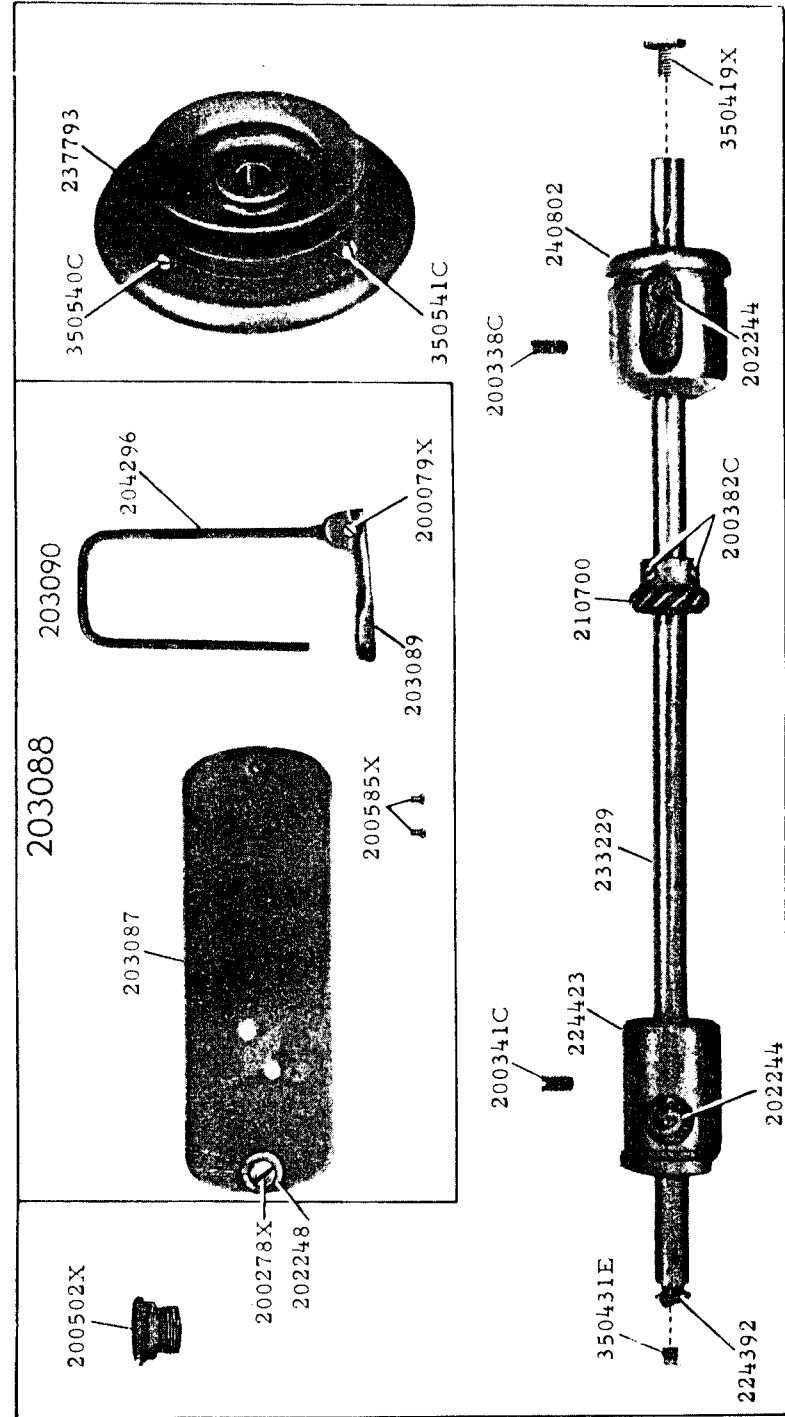
17853 - 1/2



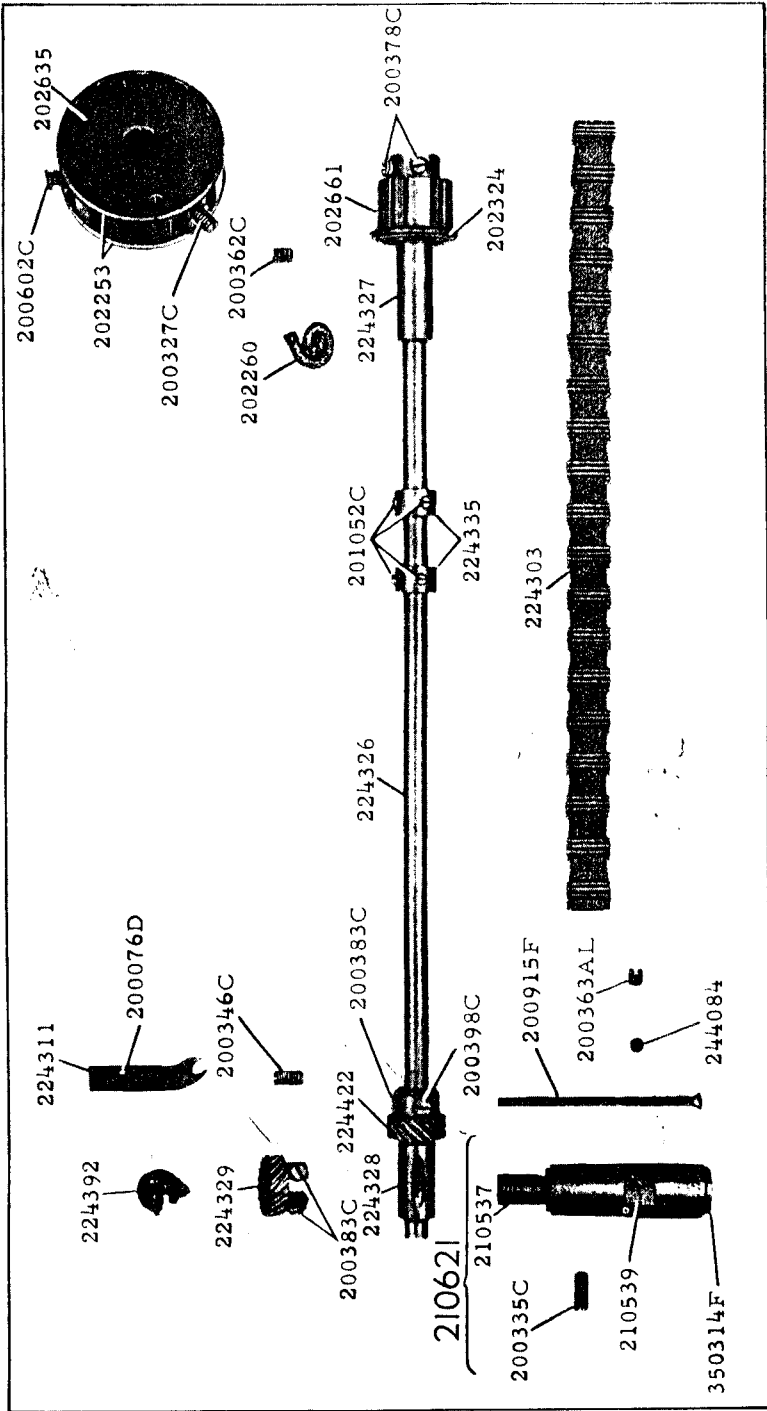
18580 - 3/8



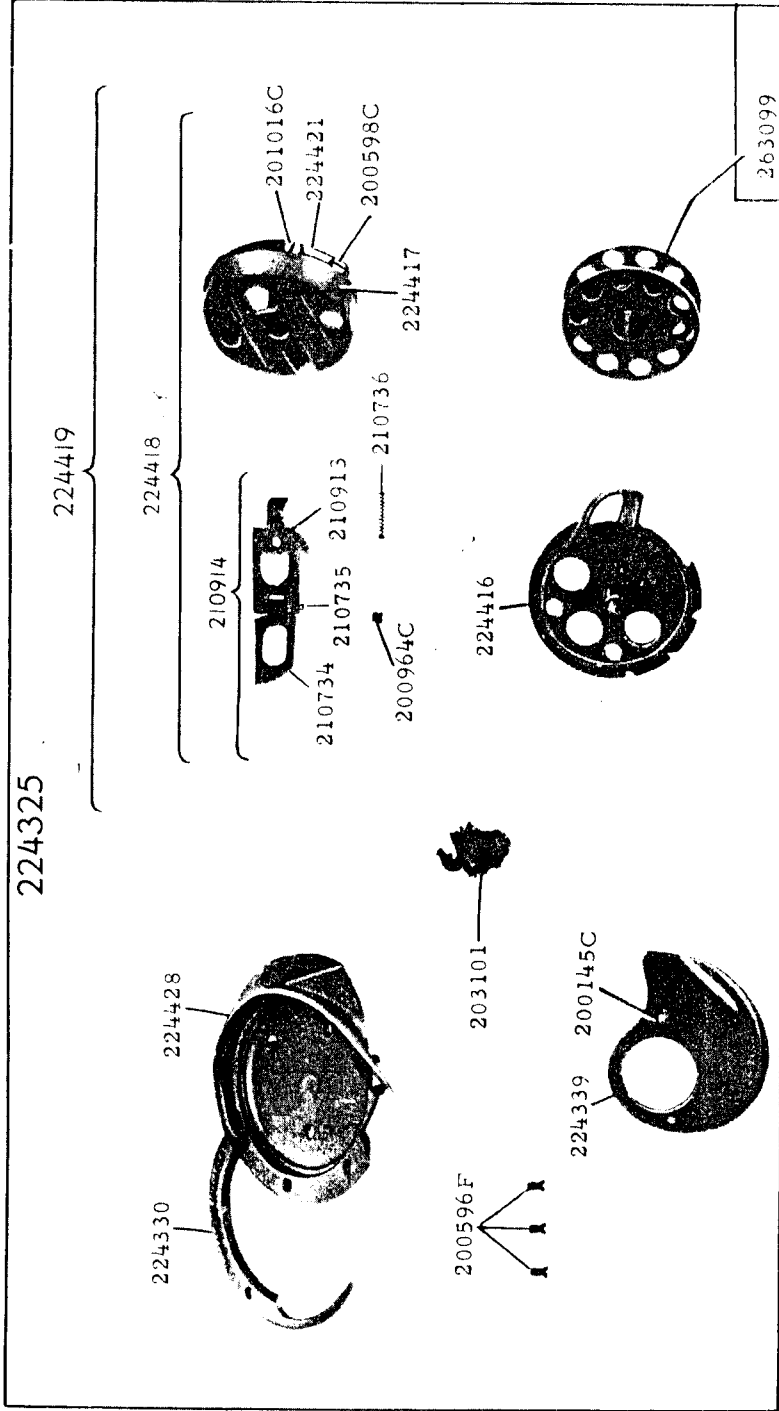
18918 - 3/8



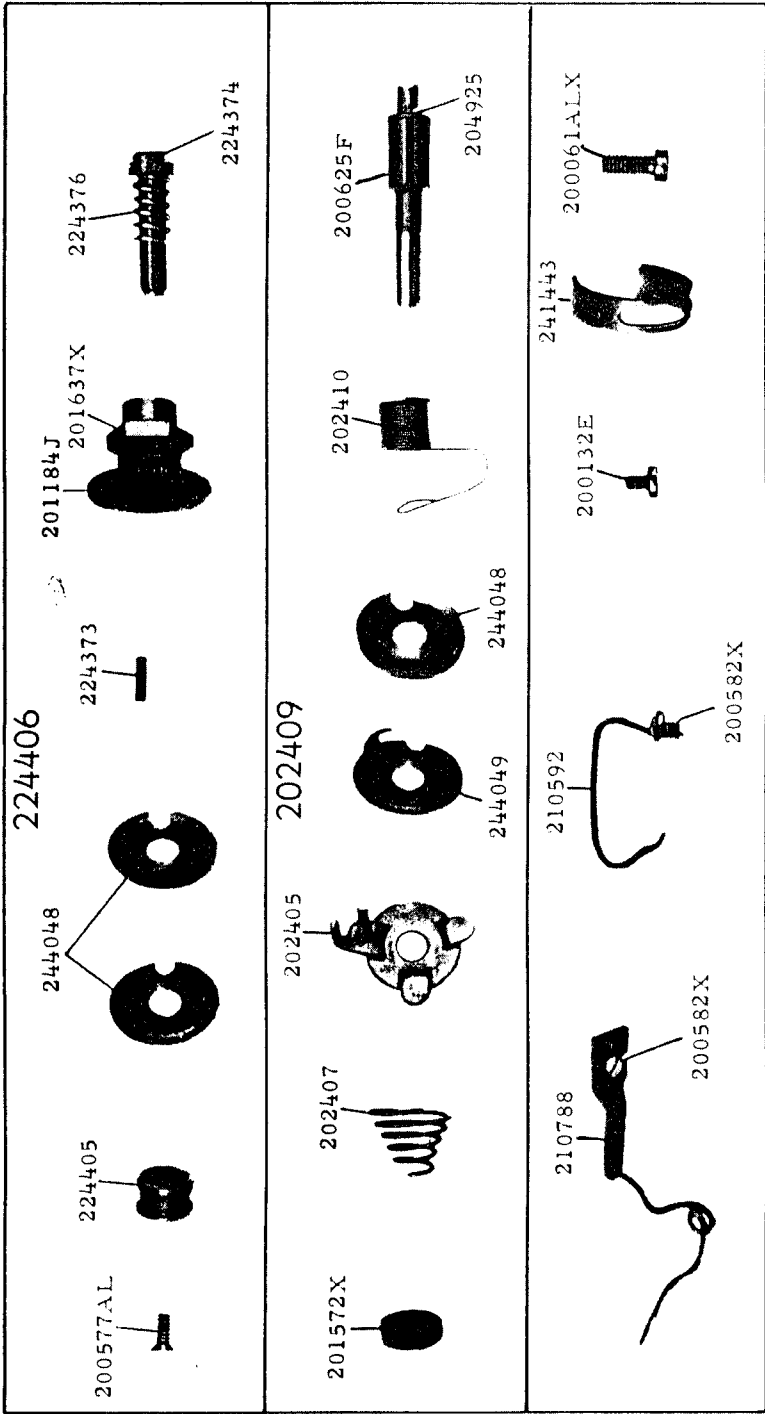
18919 - 3/8



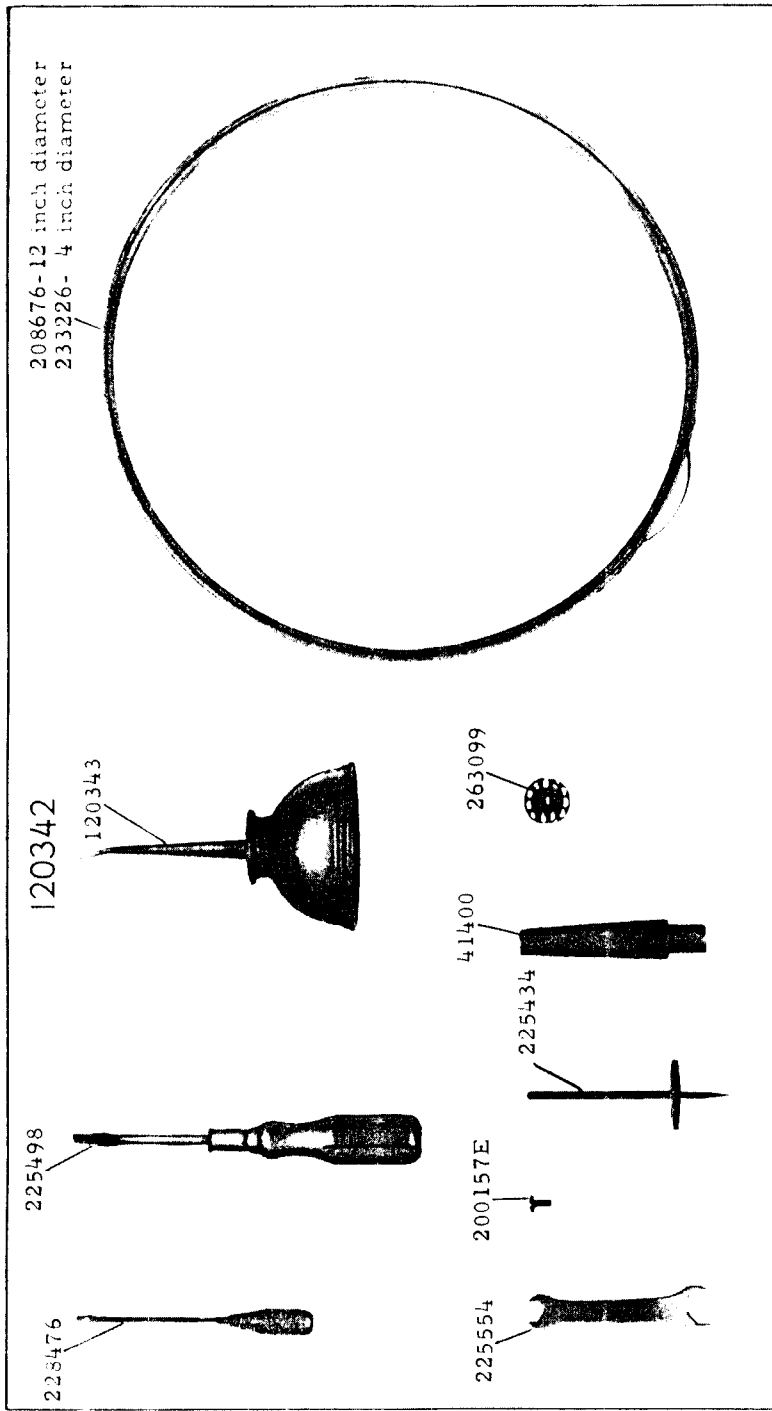
18920 - 3/4



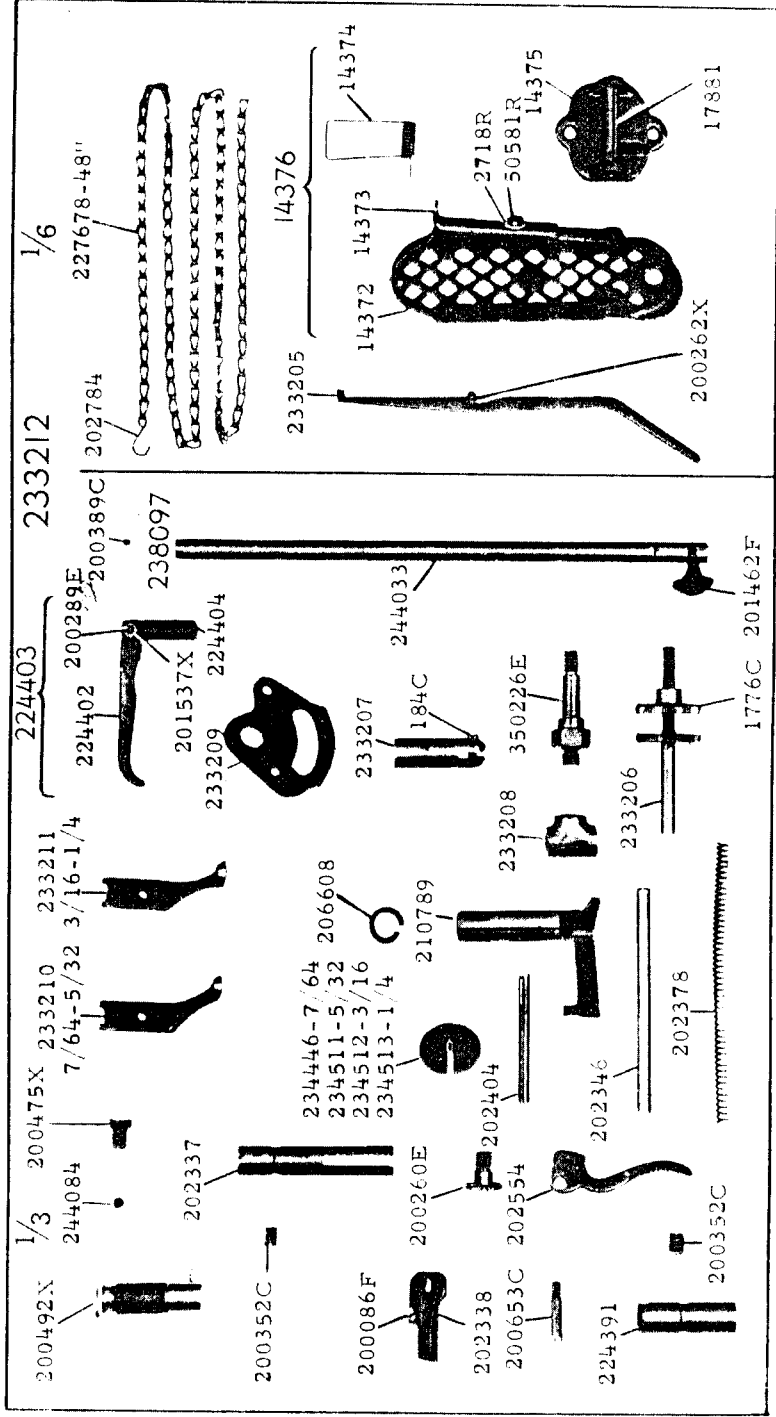
18921 - 2/3



18922 - 1/4



18923



18924

