

MACHINE PARTS CHART

for

SINGER*

108 U20

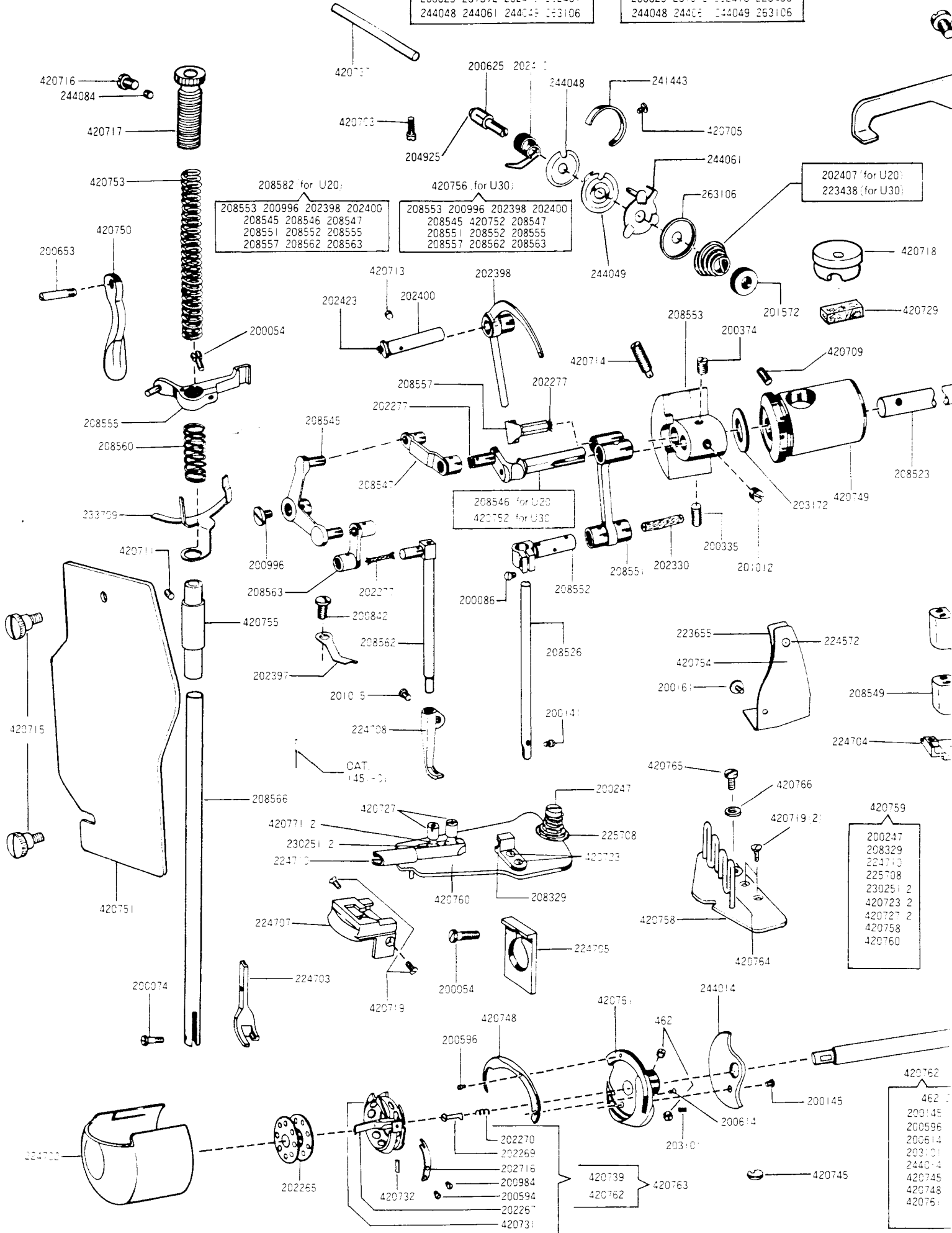
108 U30

420759 for U20

244048 for U30

200625	201572	202407	202407
244048	244061	244049	263106

200625	201572	202410	223438
244048	244061	244049	263106



208582 for U20:
 208553 200996 202398 202400
 208545 208546 208547
 208551 208552 208555
 208557 208562 208563

420756 for U30:
 208553 200996 202398 202400
 208545 420752 208547
 208551 208552 208555
 208557 208562 208563

202407 for U20:
 223438 for U30:

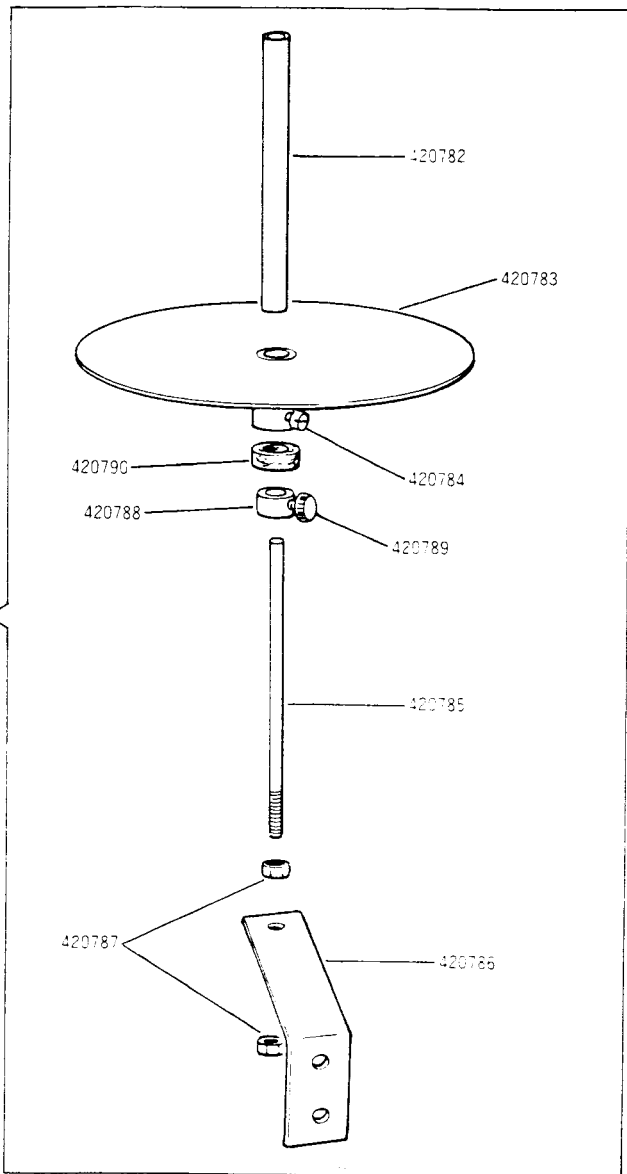
208546 for U20
 420752 for U30

420759
 200247
 208329
 224710
 225708
 230251 2
 420723 2
 420727 2
 420758
 420760

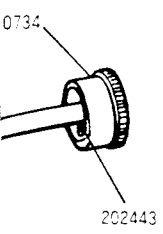
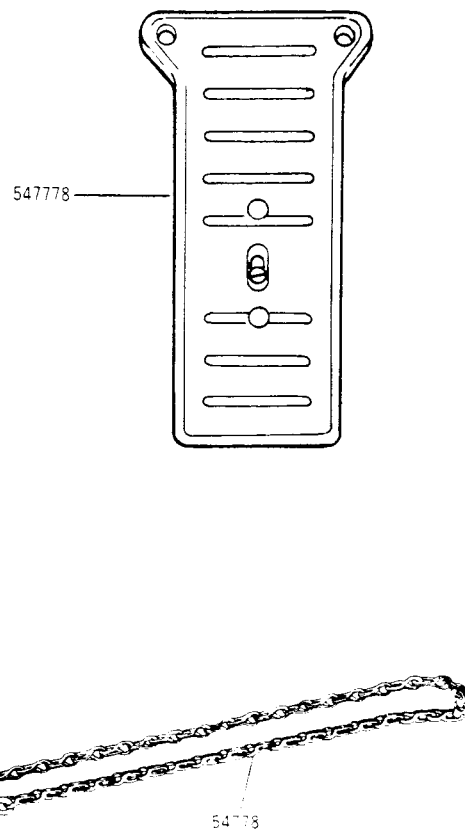
420762
 462
 200145
 200596
 200614
 203101
 244044
 420745
 420748
 420751

CAT. 145-1-2

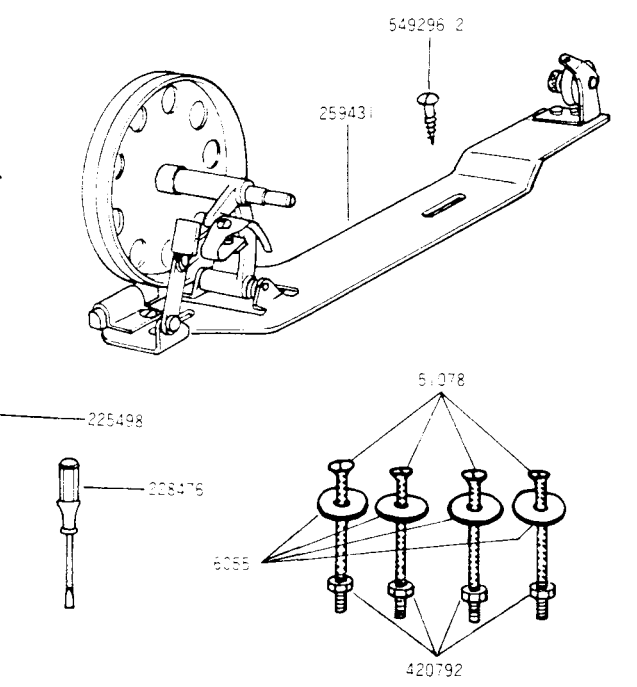
TAPE REEL



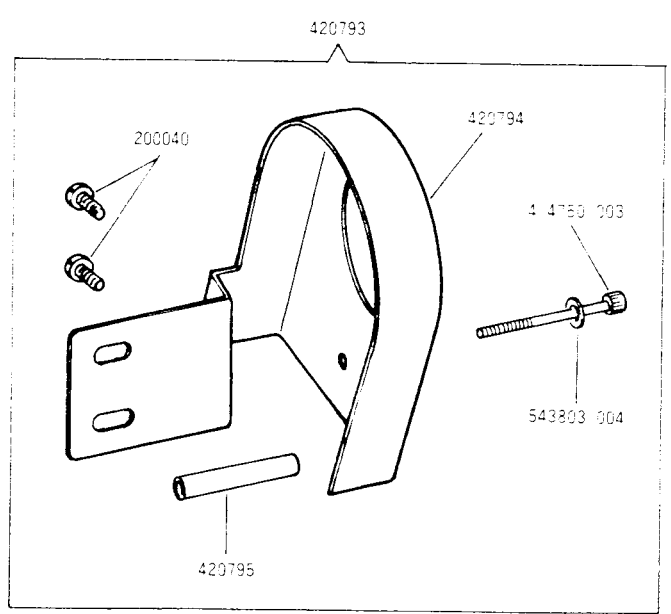
FOOT TREADLE



ACCESSORIES



AVAILABLE AT EXTRA CHARGE



NUMERICAL LIST OF PARTS FOR MACHINE 108U20/30

PART NO.	DESCRIPTION	PART NO.	DESCRIPTION
462	Hook Set Screw (2)	208551	Needle Bar Connecting Link
141566	Machine Pulley Position Screw	208552	Needle Bar Connecting Stud with 200086 and 202330
141567	Machine Pulley Set Screw		
200040	Tape Reel Bracket Screw (2)	208553	Needle Bar Crank with 200335, 200374, 420714 and 201012
200054	Needle Plate Slide Plate Screw		
200054	Presser Bar Lifting Bracket Pinch Screw	208555	Presser Bar Lifting Bracket with 200054
200074	Lifting Presser Foot Screw	208557	Take-up Lever Driving Stud with 202277
200086	Needle Bar Connecting Stud Pinch Screw	208560	Tension Release Slide Spring
200141	Needle Set Screw	208562	Vibrating Presser Bar
200145	Hook Washer Screw	208563	Vibrating Presser Bar Connecting Link
200161	Take-up Lever Oil Guard Screw	208566	Presser Bar with 200074
200247	Binder Swing Base Hinge Screw	208568	Take-up Lever Oil Leader
200327	Arm Shaft Connection Belt Pulley Set Screw	208573	Arm Shaft Counterbalance with 200335
200335	Arm Shaft Counterbalance Set Screw	208574	Thread Guide
200335	Needle Bar Crank Set Screw	208582	Needle Bar Crank 208553 with 200996, 202398, 202400, 208545 to 208547, 208551, 208552, 208555, 208557, 208562 and 208563 (for U20)
200362	Feed Driving Connection Stud Set Screw		
200374	Lifting Bell Crank Driving Crank Set Screw	210983	Needle Bar and Needle Plate Carrier Frame Hinge Plate Position Pin
200383	Feed Driving Eccentric Regulating Screw Check Screw		
200397	Thread Guide Set Screw	223438	Tension Spring (for U30)
200429	Feed Driving Eccentric Regulating Screw	223655	Take-up Lever Oiling Felt
200594	Bobbin Case Tension Spring Screw	224392	Hook Shaft Bushing (back, front) Oil Packing (wick) (2)
200596	Hook Gib Screw	224513	Arm Shaft Connection Belt
200607	Feed Driving Eccentric Regulating Bracket Plunger Spring Stop Screw	224514	Arm Shaft Connection Belt Pulley with 200327, 420722 and two 202253
200614	Hook Gib Hinge Screw	224515	Feed Driving Eccentric Regulating Bracket 208331 with 224514, two each 201014 and 201525
200625	Tension Stud with 204925		
200653	Presser Bar Lifter Hinge Screw	224516	Hook Shaft Connection Belt Pulley with 202324 and three 420726
200842	Take-up (auxiliary) Screw		
200984	Bobbin Case Tension Spring Regulating Screw	224530	Feed Driving Connection Stud Oil Packing (wick)
200996	Lifting Bell Crank Stop Screw	224572	Take-up Lever Oiling Felt Rivet
200998	Needle Bar and Needle Plate Carrier Frame Hinge Screw Stud	224702	Bed (cylinder) End Cover
		224703	Lifting Presser Foot
201012	Lifting Bell Crank Driving Crank Position Screw	224704	Needle Plate, 50 needle hole, for needle sizes 14 and 15
201014	Feed Driving Eccentric Regulating Bracket Hinge Screw	224705	Needle Plate Slide Plate (adjustable)
		224707	Throat Plate
201014	Feed Driving Eccentric Regulating Bracket Stop Screw	224708	Vibrating Presser Foot, 46 needle hole, with 201015
201015	Vibrating Presser Foot Pinch Screw	224710	Binder Head, .025 inch opening, for tapes or folded strips from 5/16 to 3/4 inches, in steps of 1/32 inch, for 420759
201387	Needle Plate Screw		
201525	Feed Driving Eccentric Regulating Bracket Hinge Screw Nut	224725	Binder Tape Guide, for 5/16 and 11/32 in. tapes or folded strips, for 420778, 420779, 420780 and 420781
201525	Feed Driving Eccentric Regulating Bracket Stop Screw Nut		
201572	Tension Thumb Nut	224741	Needle Bar and Needle Plate Carrier Frame Hinge Plate
202253	Arm Shaft Connection Belt Pulley Spring Flange (2)		
202265	Bobbin	225708	Binder Swing Base Spring
202267	Bobbin Case Latch	230251	Binder Head Clamp Washer (2)
202269	Bobbin Case Latch Plunger	233709	Tension Release Slide
202270	Bobbin Case Latch Spring	233710	Take-up Lever Oil Leader Packing (wick)
202277	Feed Driving Connection Oil Packing (wick)	241443	Thread Controller Spring Stop
202277	Lifting Bell Crank Driving Crank Oil Packing (wick)	244014	Hook Washer
202277	Needle Bar and Needle Plate Carrier Frame Hinge Screw Stud Oil Packing (wick)	244048	Tension Disc (back)
202277	Take-up Lever Driving Stud Oil Packing (wick)	244049	Tension Disc (front)
202277	Vibrating Presser Bar Oil Packing (wick)	244061	Tension Release Washer
202324	Hook Shaft Connection Belt Pulley Spring Flange	244062	Tension Complete, Nos. 200625, 201572, 202410, 223438, 244048, 244049, 244061 and 263106 (for U30)
202330	Needle Bar Connecting Stud Oil Packing (wick)		
202397	Take-up (auxiliary)	244084	Presser Bar Thumb Screw Thumb Set Screw Packing (fiber)
202398	Take-up Lever		
202400	Take-up Lever Hinge Stud with 202423	244090	Machine Pulley (disc) (aluminium alloy casting) "V" belt groove (outside diam. of belt groove 2.9 inch), with 141566 and 141567
202407	Tension Spring (for U20)		
202410	Thread Controller Spring	244200	Hook Shaft
202412	Thread Guide	263106	Tension Spring Washer
202423	Take-up Lever Hinge Stud Oil Packing (wick)	420701	Arm Screw (3)
202443	Feed Regulating Spindle Head Pin	420702	Needle Bar and Needle Plate Carrier Frame Hinge Plate Screw (4)
202716	Bobbin Case Tension Spring	420703	Tension Stud Set Screw
203101	Hook Oil Wick	420704	Arm Cap Spool Holder Wire Hinge Screw
203172	Needle Bar Crank Friction Washer	420705	Thread Controller Spring Stop Screw
204925	Tension Stud Washer	420706	Foot Lifter Lifting Lever Hinge Screw
208329	Binder Tape Guide, for tapes or folded strips from 3/8 to 3/4 in., in steps of 1/32 in., for 420759, 420774, 420775, 420776 and 420777	420707	Arm Cap Screw
		420708	Arm Shaft Bushing (back) Set Screw
208331	Feed Driving Eccentric Regulating Bracket	420709	Arm Shaft Bushing (front) Set Screw
208323	Arm Shaft	420710	Hook Shaft Bushing (back, front) Set Screw (2)
208526	Needle Bar with 200141	420711	Presser Bar Bushing Set Screw
208538	Feed Driving Connection (bronze) with 202277	420712	Thread Retainer Set Screw
208539	Feed Driving Connection Stud (eccentric) with 224530	420713	Take-up Lever Hinge Stud Set Screw
		420714	Needle Bar Crank Position Screw
208540	Feed Regulating Spindle Complete, Nos. 420734, 420735 and 202443	420716	Face Plate Thumb Screw (2)
		420717	Presser Bar Thumb Screw Thumb Set Screw
208545	Lifting Bell Crank	420718	Presser Bar Thumb Screw (pressure regulating)
208546	Lifting Bell Crank Driving Crank (for U20)	420719	Arm Shaft Bushing (front) Oil Packing Plug
208547	Lifting Bell Crank Driving Crank Link	420719	Binder Tape Tension Plate Screw (2)
208549	Needle Bar and Needle Plate Carrier Frame with 200362, 420725 and 208550	420719	Throat Plate Screw (2)
		420720	Thread Guide Screw
208550	Needle Bar and Needle Plate Carrier Frame Hinge Screw Stud Bushing (split)		

NUMERICAL LIST OF PARTS FOR MACHINE 108U20/30

PART NO.	DESCRIPTION	PART NO.	DESCRIPTION
420721	Arm Cap Spool Holder Base Screw (2)	420777	Binder Complete, .045 inch opening, for tapes or folded strips from 3/8 to 3/4 inch, in steps of 1/32 inch
420722	Arm Shaft Connection Belt Pulley Position Screw	420778	Binder Complete, .025 inch opening, for 5/16 and 11/32 inch tapes or folded strips
420723	Binder Tape Guide Screw (2)	420779	Binder Complete, .030 inch opening, for 5/16 and 11/32 inch tapes or folded strips
420724	Presser Bar Lifting Bracket Guide Screw	420780	Binder Complete, .035 inch opening, for 5/16 and 11/32 inch tapes or folded strips
420725	Needle Bar and Needle Plate Carrier Frame Hinge Screw Stud Bushing Position Screw	420781	Binder Complete, .040 inch opening, for 5/16 and 11/32 inch tapes or folded strips
420726	Hook Shaft Connection Belt Pulley Set Screw (3)		
420727	Binder Head Thumb Nut (2)		
420728	Arm Screw Washer (3)		
420729	Arm Shaft Bushing (back) Oil Packing (felt)		
420729	Arm Shaft Bushing (front) Oil Packing (felt)		
420730	Arm Cap Screw Washer		
420731	Bobbin Case		
420732	Bobbin Case Latch Pin		
420733	Feed Driving Eccentric Regulating Bracket Plunger		
420734	Feed Regulating Spindle Head	420770	Tape Reel Complete
420735	Feed Regulating Spindle Head Label	420782	Tape Reel Stem
420736	Hook Shaft Bushing (back, front) (2)	420783	Tape Reel
420737	Tension Release Plunger	420784	Tape Reel Screw
420738	Thread Guide	420785	Tape Reel Hub
420739	Bobbin Case Complete, Nos. 200594, 200984, 202267, 202269, 202270, 202716, 420731 and 420732	420786	Tape Reel Bracket
420740	Feed Driving Eccentric Regulating Bracket Plunger Spring	420787	Tape Reel Hub Nut (2)
420741	Arm Cap Spool Holder Base	420788	Tape Reel Hub Collar
420742	Arm Cap Spool Holder Base 420741 with 420704 and 420747	420789	Tape Reel Hub Collar Screw
420743	Arm Cap	420790	Tape Reel Cushion
420744	Arm Cap and Spool Holder Complete, Nos. 420742, 420743 and two 420721		
420745	Hook Oil Wick Cap	547778	Threadle Complete
420746	Arm Dowel Pin (2)	547781	Treadle Chain Complete
420747	Arm Cap Spool Holder Wire		
420748	Hook Gib		
420749	Arm Shaft Bushing (front) with 420729		
420750	Presser Bar Lifter	6055	Machine Bolt Washer (4)
420751	Face Plate	51078	Machine Bolt (4)
420752	Lifting Bell Crank Driving Crank (for U30)	202265	Bobbin (3)
420753	Presser Bar Spring	225498	Screw Driver (large)
420754	Take-up Lever Oil Guard with 223655 and 224572	228476	Screw Driver (bobbin case)
420755	Presser Bar Bushing	259431	Universal Bobbin Winder Complete
420756	Needle Bar Crank 208553 with 200996, 202398, 202400, 208545, 208547, 208551, 208552, 208555, 208557, 208562, 208563 and 420752 (for U30)	420791	Oiler
420757	Foot Lifter Lifting Lever	420792	Machine Bolt Nut (4)
420758	Binder Tape Tension Plate with 420764, 420765 and 420766	549296	Wood Screw (2)
420759	Binder Complete, .025 inch opening, for tapes or folded strips from 3/8 to 3/4 inches, in steps of 1/32 inch, Nos. 200247, 208329, 224710, 225708, 420758, 420760, two each 230251, 420723 and 420727	CAT. 1451-01	Needle (135 x 1 #16) (3)
420760	Binder Swing Base with two 420771		
420761	Hook (sewing)		
420762	Hook 420761 with 200145, 200596, 200614, 203101, 244014, 420745, 420748, and two 462		
420763	Hook and Bobbin Case Complete, Nos. 420739 and 420762		
420764	Binder Tape Tension Guide Wire		
420765	Binder Tape Tension Guide Wire Screw		
420766	Binder Tape Tension Guide Wire Screw Washer		
420767	Thread Retainer		
420768	Arm Shaft Bushing (back) with 420729		
420769	Tension Complete, Nos. 200625, 201572, 202407, 202410, 244048, 244049, 244061 and 263106 (for U20)		
420771	Binder Head Screw Stud (2)		
420772	Needle Bar and Needle Plate Carrier Frame Hinge Screw		
420773	Machine Pulley Friction Washer		
CAT. 1451-01	Needle (135 x 1 #16)		

TAPE REEL

TREADLE

ACCESSORIES

AVAILABLE AT EXTRA CHARGE

LIST OF BINDERS

420774	Binder Complete, .030 inch opening, for tapes or folded strips from 3/8 to 3/4 inch in steps of 1/32 inch
420775	Binder Complete, .035 inch opening, for tapes or folded strips from 3/8 to 3/4 inch, in steps of 1/32 inch
420776	Binder Complete, .040 inch opening, for tapes or folded strips from 3/8 to 3/4 inch, in steps of 1/32 inch