

SINGER
111W150

INSTRUCTIONS FOR ORDERING

In ordering from this list, use ONLY the PART number in the FIRST column.

The number stamped on a Sewing Machine Part is the number of the Single Part only, except when the part includes Set Screws, Clamping Screws, Studs and Rollers Spun on, Small Wires riveted, or Parts soldered together, etc., which it is necessary to furnish in combination.

Every combination of parts sent out has its specific number which, although not stamped on Parts (except in above case), must be used when ordering the combination.

Each number always indicates the SAME PART in whatever list it appears, or for whatever Machine.

The letters after some of the numbers indicate the style of finish only, as follows:

- A. Hardened, Polished, Nickel Plated and Buffed.
- B. Polished, Nickel Plated and Buffed.
- C. Hardened only.
- D. Polished only.
- E. Soft, not polished.
- F. Hardened and Polished.
- H. Blued.
- J. Nickel Plated only.
- R. Marlized.
- X. Black Oxide.
- XC. Hardened and Black Oxide.
- Y. Blade Nickel only.

These letters MUST BE USED when they appear in the list and AFTER the number, as in the list.

In this series:

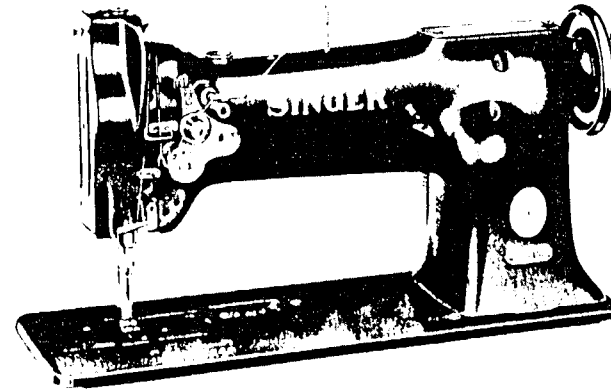
200001 to 201500 and 350001 to 351500 are Screw Numbers.
201501 to 201800 and 351501 to 351800 are Nut Numbers.
201801 to 202000 and 351801 to 352000 are Roller Numbers.
202001 to 350000 are Numbers of Machine Parts.

The figures in the second column refer only to the plate in which the illustration of the part is shown and are NOT TO BE USED in ordering.

Two or more numbers over a cut indicate that the difference between such parts is not visible in an illustration.

Parts marked with an asterisk (*) are furnished when repairs are made at the factory.

LIST OF PARTS COMPLETE FOR



MACHINE No. III w150

HIGH SPEED. BALL BEARING.
COMPOUND FEED. KNEE LIFTER.
POSITIVE STITCH REGULATION.
For Clothing, Cloaks, Suits, Overalls, Duck Coats,
Oil Clothing, Shirts, etc.

| No. | Plate | Name |
|---------|-------|---|
| *248401 | ----- | Arm with 202135 |
| 224002 | 16603 | " Cap |
| 200278H | 16603 | " " Screw |
| 202248 | 16603 | " " " Washer |
| 204235 | 16613 | " Position Pin (2) |
| 200004E | 16613 | " Screw (3) |
| 202005 | 16613 | " " Washer (3) |
| 248440 | 16603 | " Shaft with 224392 and 350431E |
| 249440 | 16603 | " " Ball Bearing |
| *240054 | 16603 | " " " " Collar with two 200378C |
| 240055 | 16603 | Arm Shaft Ball Bearing Collar 240054 with 249440 |
| 200378C | 16603 | Arm Shaft Ball Bearing Collar Set Screw |
| *240056 | 16603 | " " " " Retaining Washer |
| *240053 | 16603 | " " Bushing (back) |

PARTS FOR MACHINE No. IIIw150

| No. | Plate | Name |
|---------|-------|--|
| 200335C | 16603 | Arm Shaft Bushing (back) Set Screw |
| 240057 | 16603 | Arm Shaft Bushing (back) (ball bearing) complete, Nos. 240053, 240055 and 240056 |
| 207080 | 16603 | Arm Shaft Bushing (front) with 202244 |
| 202244 | 16603 | " " " " Oil Packing (wick) |
| 200502B | 16603 | " " " " " " Thumb Screw |
| 200341C | 16603 | Arm Shaft Bushing (front) Set Screw |
| 224103 | 16604 | " " Connection Belt |
| 224104 | 16604 | " " " " Pulley with 200327C, 200602E and two 202253 |
| 200602E | 16604 | Arm Shaft Connection Belt Pulley Position Screw |
| 200327C | 16604 | Arm Shaft Connection Belt Pulley Set Screw |
| 202253 | 16604 | Arm Shaft Connection Belt Pulley Spring Flange |
| 224139 | 16607 | Arm Shaft Connection Belt Timing Plate |
| 200164B | 16607 | " " " " " " " " Screw (2) |
| 224392 | 16603 | Arm Shaft Oil Packing (wick) |
| 350431E | 16603 | " " " " Stop Screw |
| 248402 | 16603 | Balance Wheel (disc) (belt groove 2-1/8 in. diam.) with 200328C and 200335C |
| 350419H | 16603 | Balance Wheel Adjusting Screw |
| 200328C | 16603 | " " Position Screw |
| 200335C | 16603 | " " Set Screw |
| *240249 | ----- | Bed |
| 255168 | 16607 | " Oil Cup (4) |
| 240003 | 16613 | " Slide (back) |
| 223811 | 16613 | " " " Stop |
| 223812 | 16613 | " " " " Spring |
| 240004 | 16613 | " " (front) |
| 203470 | 16605 | Bobbin |
| *236691 | ----- | " Case |
| 203648 | 16605 | " " Latch |
| *202056 | ----- | " " Pin |
| 203473 | 16605 | " " Plunger |
| 203474 | 16605 | " " Spring |
| 241674 | 16605 | " " Oiling Felt |
| 241675 | 16605 | " " " Retainer |
| 350405C | 16605 | " " " " Screw |
| 248404 | 16606 | " " Opener |
| 224005 | 16606 | " " Lever with 201349C, 201542C and 203101 |
| 201349C | 16606 | Bobbin Case Opener Lever Driving Screw Stud |
| 201542C | 16606 | Bobbin Case Opener Lever Driving Screw Stud Nut |

PARTS FOR MACHINE No. IIIw150

| No. | Plate | Name |
|---------|-------|---|
| 203101 | 16606 | Bobbin Case Opener Lever Driving Screw Stud Oil Packing (wick) |
| 265088 | 16606 | Bobbin Case Opener Lever Hinge Stud with 202277 |
| 202277 | 16606 | Bobbin Case Opener Lever Hinge Stud Oil Packing (wick) |
| 201246C | 16606 | Bobbin Case Opener Lever Hinge Stud Set Screw |
| 248405 | 16606 | Bobbin Case Opener Lever Link |
| 200118D | 16606 | " " " Screw |
| 236083 | 16605 | " " Tension Spring |
| 201016F | 16605 | " " " " Regulating Screw |
| 200594C | 16605 | " " " " Screw |
| 203216 | 16605 | " " Washer (cloth) |
| 236692 | 16605 | Bobbin Case complete, Nos. 200594C, 201016F, 202056, 203216, 203473, 203474, 203648, 236083, 236691, 241674, 241675 and two 350405C |
| 210911 | 16613 | Face Plate |
| 202135 | 16613 | " " Position Pin |
| 200473B | 16613 | " " Thumb Screw |
| 240223 | 16608 | Feed Bar |
| 240224 | 16608 | " " 240223 with 224052, 225837 and 350197E |
| 350393C | 16608 | Feed Bar Hinge Screw (driving) |
| 201518E | 16608 | " " " " Nut |
| 240077 | 16608 | " Dog, 46 needle hole, for needle sizes 16 and 18 |
| 200106E | 16608 | Feed Dog Screw (2) |
| 240225 | 16607 | " Driving Connection with 240226 and 240227 |
| 201181C | 16607 | Feed Driving Connection Hinge Screw |
| 201518E | 16607 | " " " " " Nut |
| 240226 | 16607 | " " " Oiling Felt |
| 240227 | 16607 | " " " " " Retaining Wire |
| 240228 | 16608 | Feed Driving Crank with 200019E |
| 200019E | 16608 | " " " Pinch Screw |
| 240229 | 16607 | " " Eccentric |
| 240230 | 16607 | " " Adjusting Disc |
| 248415 | 16607 | " " " " Spring |
| 248416 | 16607 | " " " " " Collar with two 200382C |
| 200382C | 16607 | Feed Driving Eccentric Adjusting Disc Spring Collar Set Screw |
| 240231 | 16607 | Feed Driving Eccentric Friction Gib |
| 200369C | 16607 | " " " " " Ad-justing Screw |
| 350101C | 16607 | Feed Driving Eccentric Friction Gib Ad-justing Screw Set Screw |

| No. | Plate | Name |
|---------|-------|---|
| 240232 | 16607 | Feed Driving Flange with 200333C, 200346C two each 200369C and 350101C |
| 200333C | 16607 | Feed Driving Flange Position Screw |
| 200346C | 16607 | " " " Set Screw |
| 223650 | 16608 | " " Rock Shaft |
| 240233 | 16608 | " " " " 223650 with 201518E, 240224 and 350393C |
| 223652 | 16608 | Feed Driving Rock Shaft Crank with 200019E |
| 200019E | 16608 | Feed Driving Rock Shaft Crank Pinch Screw |
| 202625 | 16608 | " " " " Stop Collar with two 200383C (2) |
| 200383C | 16608 | Feed Driving Rock Shaft Stop Collar Set Screw |
| 248449 | 16604 | Feed Indicating Disc with 200958C |
| 200958C | 16604 | " " " Set Screw |
| 224154 | 16607 | " Lifting Cam with 201220C |
| 224052 | 16608 | " " " Fork with 200173D and 223655 |
| 350197E | 16608 | Feed Lifting Cam Fork Screw |
| 225837 | 16608 | " " " " Washer |
| 223655 | 16608 | " " " Oiling Felt |
| 200173D | 16608 | " " " Screw |
| 201220C | 16607 | " " " Set Screw |
| 240235 | 16607 | " Regulating Stud |
| 240245 | 16607 | " " Retaining Spring |
| 248425 | 16607 | " " Spring |
| *248444 | 16605 | Hook (sewing) |
| 248445 | 16605 | " 248444 with 203525, 224025, two each 200590H and 201253F |
| 248446 | 16605 | Hook and Bobbin Case complete, Nos. 236692 and 248445 |
| 249365 | 16606 | Hook Ball Bearing |
| 350394E | 16606 | " " " Adjusting Screw |
| 200403C | 16606 | " " " " " Set Screw |
| 204479 | 16606 | " " " " " " " |
| | | Packing (brass) |
| 248430 | 16606 | Hook Ball Bearing Washer (felt) |
| 248429 | 16606 | " " " " (steel) |
| 223867 | 16607 | " Driving Gear (spiral) with 200362C and 201222C |
| 201222C | 16607 | Hook Driving Gear Position Screw |
| 200362C | 16607 | " " " Set Screw |
| 248431 | 16606 | " " Pinion (spiral) with two 200382C |
| 200382C | 16606 | Hook Driving Pinion Set Screw |
| 240250 | 16607 | " " Shaft |
| 249440 | 16607 | " " " Ball Bearing |

| No. | Plate | Name |
|---------|-------|--|
| *240060 | 16607 | Hook Driving Shaft Ball Bearing Collar with 200378C and 201220C |
| 240061 | 16607 | Hook Driving Shaft Ball Bearing Collar 240060 with 249440 |
| 201220C | 16607 | Hook Driving Shaft Ball Bearing Collar Position Screw |
| 200378C | 16607 | Hook Driving Shaft Ball Bearing Collar Set Screw |
| *240056 | 16607 | Hook Driving Shaft Ball Bearing Retaining Washer |
| *240058 | 16607 | Hook Driving Shaft Bushing (back) |
| 240063 | 16607 | Hook Driving Shaft Bushing (back) (ball bearing) complete, Nos. 240056, 240058 and 240061 |
| 237529 | 16607 | Hook Driving Shaft Bushing (front) |
| 200327C | 16607 | " " " " Set Screw (2) |
| 224112 | 16607 | " " " Connection Belt Pulley with 202253 and two 201254C |
| 201254C | 16607 | Hook Driving Shaft Connection Belt Pulley Set Screw |
| 202253 | 16607 | Hook Driving Shaft Connection Belt Pulley Spring Flange |
| 203525 | 16605 | Hook Gib |
| 201253F | 16605 | " " Screw |
| 248434 | 16606 | " Saddle with 200009E and 201246C |
| 240243 | 16607 | " " Bearing |
| 200335C | 16607 | " " " Set Screw |
| 248435 | 16606 | " " Oil Pad (felt) |
| 200009E | 16606 | " " Pinch Screw |
| 200006E | 16606 | " " Screw |
| 225585 | 16606 | " " " Washer |
| 248439 | 16606 | Hook Saddle complete, Nos. 200118D, 200403C, 204479, 224005, 248404, 248405, 248430, 248431, 248434, 248446, 265088, 350394E, two each 248429, 249365 and four 248435 |
| 224025 | 16605 | Hook Washer |
| 200590H | 16605 | " " Screw |
| 240067 | 16613 | Knee Lifter Connection Lever |
| 200262H | 16613 | " " " " Hinge Screw |
| 223684 | 16613 | " " " " Lifting Rod with 202302 |
| 202302 | 16613 | Knee Lifter Connection Lever Lifting Rod Cotter Pin |
| 206628 | 16613 | Knee Lifter Connection Lever Lifting Rod Spring |
| 227227 | 16613 | Knee Lifter Connection Lever Lifting Rod Spring Collar with 200113F |
| 200113F | 16613 | Knee Lifter Connection Lever Lifting Rod Spring Collar Set Screw |
| 240068 | 16613 | Knee Lifter Lifting Lever |

| No. | Plate | Name |
|---------|-------|--|
| 200262H | 16613 | Knee Lifter Lifting Lever Hinge Screw |
| 240020 | 16610 | Needle Bar with 200125F, 200175D and 240039 |
| 202552 | 16610 | Needle Bar Connecting Link |
| 264718 | 16610 | " " " " Oil Guard |
| 200161D | 16610 | " " " " " " Screw |
| 202333 | 16610 | " " " " Stud with 202254 |
| 202254 | 16610 | Needle Bar Connecting Link Stud Oil Packing (wick) |
| 200374C | 16610 | Needle Bar Connecting Link Stud Set Screw |
| 200383C | 16610 | " " " " " " " " |
| 223688 | 16610 | " " " Stud with 200072C and 202330 |
| 202330 | 16610 | Needle Bar Connecting Stud Oil Packing (wick) |
| 200072C | 16610 | Needle Bar Connecting Stud Pinch Screw |
| 202692 | 16610 | " " Crank with 200335C, 200374C, 200383C, 200428C and 202333 |
| 240021 | 16610 | Needle Bar Crank 202692 with 202399, 202400, 202552, 223688 and 240022 |
| 203172 | 16610 | Needle Bar Crank Friction Washer |
| 200428C | 16610 | " " " Position Screw |
| 200335C | 16610 | " " " Set Screw |
| 248436 | 16610 | " " Rock Frame |
| 248437 | 16610 | " " " Hinge Stud |
| 200347C | 16610 | " " " " " " Set Screw |
| 202666 | 16610 | " " " " Position Bracket |
| 200098F | 16610 | " " " " " " Screw |
| 223690 | 16609 | " " " Rock Shaft |
| 223691 | 16609 | " " " " " " 223690 with 200387C and 210920 |
| 223692 | 16609 | Needle Bar Rock Frame Rock Shaft Crank with 200029E |
| 223693 | 16604 | Needle Bar Rock Frame Rock Shaft Crank Connection with 202277 |
| 201407C | 16604 | Needle Bar Rock Frame Rock Shaft Crank Connection Hinge Screw (lower) |
| 206758 | 16604 | Needle Bar Rock Frame Rock Shaft Crank Connection Hinge Screw (lower) Oil Packing (wick) |
| 201517E | 16604 | Needle Bar Rock Frame Rock Shaft Crank Connection Hinge Screw (lower) Nut |
| 200833C | 16604 | Needle Bar Rock Frame Rock Shaft Crank Connection Hinge Screw (upper) |
| 201522E | 16604 | Needle Bar Rock Frame Rock Shaft Crank Connection Hinge Screw (upper) Nut |
| 202277 | 16604 | Needle Bar Rock Frame Rock Shaft Crank Oil Packing (wick) |

| No. | Plate | Name |
|---------|-------|--|
| 200029E | 16609 | Needle Bar Rock Frame Rock Shaft Crank Pinch Screw |
| 202668 | 16609 | Needle Bar Rock Frame Slide Block |
| 210920 | 16609 | " " " " " " 202668 with 201141C |
| 201141C | 16609 | Needle Bar Rock Frame Slide Block Stud |
| 200387C | 16609 | " " " " " " " " Set Screw |
| 240039 | 16610 | Needle Bar Thread Guide |
| 200175D | 16610 | " " " " " Screw |
| 200125F | 16610 | " Set Screw |
| 208566 | 16611 | Presser Bar with 200074F |
| 207072 | 16611 | " " Bushing (2) |
| 200352C | 16611 | " " " Set Screw (2) |
| 202671 | 16611 | " " Lifter |
| 200653C | 16611 | " " Hinge Screw |
| 207963 | 16611 | " " Lifting Releasing Lever Bracket |
| 200975F | 16611 | Presser Bar Lifting Releasing Lever Bracket Guide Screw |
| 206608 | 16611 | Presser Bar Lifting Releasing Lever Bracket Spring |
| 202337 | 16611 | Presser Bar Position Guide |
| 202338 | 16611 | " " " " Lever with 200086F |
| 200086F | 16611 | Presser Bar Position Guide Lever Pinch Screw |
| 200352C | 16611 | Presser Bar Position Guide Set Screw |
| 207965 | 16613 | " " Spring (flat) |
| 210949 | 16611 | " " " Bracket with 200086C |
| 200086C | 16611 | " " " Pinch Screw |
| 200538C | 16613 | " " " Regulating Screw |
| 200948F | 16613 | " " " Support Screw |
| 202090 | 16611 | " Foot Hinge Pin |
| 203013 | 16611 | " " Plate |
| 200074F | 16611 | " " Screw |
| 215911 | 16611 | " " Shank |
| 229882 | 16611 | Presser Foot (hinged) complete, Nos. 202090, 203013 and 215911 |
| 240022 | 16610 | Take-up Lever |
| 202399 | 16610 | " " Driving Stud with 202277 |
| 202277 | 16610 | " " " " Oil Packing (wick) |
| 202400 | 16610 | Take-up Lever Hinge Stud with 202423 |
| 202423 | 16610 | " " " " Oil Packing (wick) |
| 200363C | 16610 | Take-up Lever Hinge Stud Set Screw |
| 202401 | 16611 | " " Oiling Felt |
| 200132E | 16611 | " " " " Screw |
| 240023 | 16612 | Tension Bracket with 201224B and 236060 |

| No. | Plate | Name |
|---------|-------|--|
| 200159F | 16612 | Tension Bracket Screw |
| 240446 | 16612 | Tension Bracket complete, Nos. 200978H, 201199F, 204271, 223438, 223703, 223704, 223706, 237174, 240023, two each 200309E, 201572B and 244048 |
| 244048 | 16612 | Tension Disc |
| 236060 | 16612 | " " Position Pin |
| 223703 | 16612 | " Release Lever |
| 235072 | 16611 | " " " Rod |
| 200309E | 16612 | " " " Screw |
| 223704 | 16612 | " " Plunger |
| 204271 | 16612 | " " Washer |
| 223438 | 16612 | " Spring |
| 201224B | 16612 | " Stud |
| 201572B | 16612 | " Thumb Nut |
| 223706 | 16612 | Thread Controller Disc |
| 200978H | 16612 | " " " Screw |
| 237174 | 16612 | " " Spring |
| 242117 | 16612 | " " " Stop |
| 200132E | 16612 | " " " Screw |
| 201199F | 16612 | " " Stud with 204925 |
| 200061C | 16612 | " " " Set Screw |
| 201572B | 16612 | " " " Thumb Nut |
| 204925 | 16612 | " " " Washer |
| 202412 | 16603 | " Guide |
| 224040 | 16612 | " " " |
| 210954 | 16612 | " " (lower) |
| 210955 | 16612 | " " (upper) |
| 200582H | 16612 | " " Screw (4) |
| 240034 | 16612 | " Retainer |
| 200355H | 16612 | " " Set Screw |
| 240027 | 16613 | Throat Plate |
| 691F | 16613 | " " Screw (2) |

ACCESSORIES

| No. | Plate | Name |
|---------|-------|---|
| 200157B | 16613 | Attachment Screw |
| 200861D | 16613 | Bed Slide (back) Locking Thumb Screw |
| 203470 | 16605 | Bobbin (5) |
| *225482 | ----- | " Case Screw Driver Blade |
| *225483 | ----- | " " " " Handle |
| 225497 | 17620 | Bobbin Case Screw Driver complete, Nos. 225482 and 225483 |
| 231337 | 16613 | Cloth Guide |
| 200861D | 16613 | " " Thumb Screw |
| 135 x 7 | 16610 | Needles, six, size 18 |
| 224121 | 16258 | Drip Pan, 20 in. long, with four 1 in. wire nails |
| 12361 | 16613 | Machine Hinge Connection (2) |
| 41400 | 17620 | " Rest Pin (wood) |
| 120342 | 17620 | Oiler (copper plated) with 120343 |
| 120343 | 17620 | " Spout, 3-1/2 in. long |
| *225484 | ----- | Screw Driver Blade |
| *225485 | ----- | " " Handle |
| 225498 | 17620 | Screw Driver complete (7-1/4 in. long), Nos. 225484 and 225485 |
| 225554 | 17620 | Wrench (steel) |

BOBBIN WINDER

(SWINGING AUTOMATIC, RIGHT HAND)

| | | |
|---------|-------|------------------------------|
| 259428 | 16615 | Brake (leather) |
| 259429 | 16615 | " Clamp |
| 200113F | 16615 | " " Screw |
| 225453 | 16615 | Frame with 202277 and 225438 |
| 225454 | 16615 | " Hinge Pin |
| 202277 | 16615 | " Oil Packing (wick) |
| 225438 | 16615 | " " Well Cap |
| 225455 | 16615 | " Spring |
| 225456 | 16615 | " " Plunger |
| 225368 | 16615 | Pulley with 200380C |
| 200380C | 16615 | " Set Screw |
| 225381 | 16615 | Spindle |
| 225444 | 16615 | Stop Latch |
| 200056E | 16615 | " " Screw |
| 225458 | 16615 | " " Thumb Lever |
| 225459 | 16615 | " " " " Hinge Stud |

ACCESSORIES

| No. | Plate | Name |
|---------|-------|--|
| 225459 | 16615 | Stop Latch Thumb Lever Joint Stud |
| 202478 | 16615 | " " Trip Lever |
| 200299H | 16615 | " " " Hinge Screw |
| 225461 | 16615 | Tension Bracket with 201499B |
| 200082D | 16615 | " " Screw |
| 228026 | 16615 | " " " Washer |
| 2102 | 16615 | " Disc |
| 13710 | 16615 | " Spring |
| 201499B | 16615 | " Stud |
| 201572B | 16615 | " " Thumb Mit |
| 225462 | 16615 | Bobbin Winder Tension Bracket complete, Nos.13710,201572B,225461 and two 2102 |
| 259430 | 16615 | Bobbin Winder and Tension Bracket Base |
| 259431 | 16615 | Universal Bobbin Winder complete, Nos. 200056E,200082D,200113F,200299H,202478 225368,225381,225444,225453 to 225456, 225458,225462,228026,259428 to 259430 two each 225459 and wood screws 3/4 in. No.12,R.H.B. |

KNEE LIFTER

| | | |
|---------|-------|--|
| 228294 | 16258 | Rock Lever with two 356C |
| 228295 | 16258 | " " Bracket with 356C and four wood screws 7/8 in.,No.12 |
| 228299 | 16258 | Rock Lever Bracket 228295 with 228294 and 228297 |
| 228296 | 16258 | Rock Lever Extension with 200529C |
| 356C | 16258 | " " " Set Screw |
| 228297 | 16258 | " " Hinge Pin |
| 356C | 16258 | " " " Set Screw |
| 228284 | 16258 | " " Knee Plate with 356C |
| 202455 | 16258 | " " " Arm |
| 356C | 16258 | " " " Set Screw |
| 356C | 16258 | " " " Set Screw |
| 227728 | 16258 | " " Rod with 227729 |
| *227729 | ----- | " " " Cap |
| 200529C | 16258 | " " " Set Screw |
| 228298 | 16258 | Knee Lifter complete, Nos.202455,227728, 228284,228296 and 228299 |

(Other Knee Lifter Parts are listed with parts of machine head.)

FEED DOGS

| No. | Plate | Name |
|--------|-------|--|
| 240079 | 16614 | Feed Dog,40 needle hole,for needle size 20,for 240026 |
| 240076 | 16614 | Feed Dog,50 needle hole,for needle sizes 14 and 15,for 240027 |
| 240077 | 16614 | Feed Dog,46 needle hole,for needle sizes 16 and 18,for 240027 |
| 240078 | 16614 | Feed Dog,40 needle hole,for needle size 20,for 240027 |

THROAT PLATES

| | | |
|--------|-------|-------------------------|
| 240026 | 16614 | Throat Plate,for 240079 |
| 240027 | 16614 | " " " 240076 to 240078 |

FOOT LIFTER

PARTS REQUIRED FOR CHANGING FROM
KNEE LIFTER TO FOOT LIFTER

| | | |
|---------|-------|-------------------------|
| 223733 | 16613 | Lifting Lever Extension |
| 200082D | 16613 | " " " Screw (2) |
| 227561 | 16613 | " " Spring |
| 200835D | 16613 | " " " Stop Screw |

FOOT LIFTER

| | | |
|--------|-------|---|
| 227952 | 17620 | Lever (left or right) with 227954 |
| 227678 | 17620 | " Chain,48 in.long,with 202784 |
| 227954 | 17620 | " " Hook (lower) |
| 202784 | 17620 | " " " (upper) |
| 225016 | 17620 | " Hinge Pin |
| 227953 | 17620 | " Stand with two wood screws 1 in.,No. 12 |
| 227955 | 17620 | Foot Lifter Lever (left or right) com- plete, Nos.225016,227678,227952 and 227953 |

THREAD UNWINDER

| No. | Plate | Name |
|---------|-------|---|
| 225257 | 17900 | Spool Rest (for two spools) (flat) with 201018C |
| 150203 | 17900 | Spool Rest Cushion (felt) |
| 225388 | 17900 | " " Rod |
| 200383C | 17900 | " " " Set Screw |
| 201018C | 17900 | " " " Set Screw |
| 202490 | 17900 | " Stand with 200383C |
| 225391 | 17900 | Thread Guide |
| 201696J | 17900 | " " Lock Nut |
| 225326 | 17900 | " " Position Cup |
| 225324 | 17900 | " " Rod with 208E and 225322 |
| 208E | 17900 | " " " Screw |
| 225322 | 17900 | " " " Washer |
| 225258 | 17900 | Thread Unwinder (for two spools) (flat) complete, Nos. 201696J, 202490, 225257, 225324, 225326, 225388, two each 150203, 225391 and three wood screws 7/8 in., No. 12 |

MISCELLANEOUS PARTS

| | | |
|--------|-------|---------------------------|
| 60913 | 17900 | Spool Weight with 60914 |
| 60914 | 17900 | " " Center Pin |
| 225377 | 17900 | " Wire (for small spools) |
| 27739 | 17900 | Thread Cone (wood) |
| 225390 | 17900 | " " Holder |

NUMERICAL
LIST
OF PARTS

NUMERICAL LIST OF PARTS

| No. | Plate | Name |
|---------|-------|---|
| 208E | 17900 | Thread Unwinder Thread Guide Rod Screw, for 225324 |
| 356C | 16258 | Knee Lifter Rock Lever Extension Set Screw, for 228294 |
| 356C | 16258 | Knee Lifter Rock Lever Hinge Pin Set Screw, for 228295 |
| 356C | 16258 | Knee Lifter Rock Lever Knee Plate Arm Set Screw, for 228294 |
| 356C | 16258 | Knee Lifter Rock Lever Knee Plate Set Screw, for 228284 |
| 691F | 16613 | Throat Plate Screw |
| 210E | 16615 | Bobbin Winder Tension Disc, for 225462 |
| 12361 | 16613 | Machine Hinge Connection |
| 13710 | 16615 | Bobbin Winder Tension Spring, for 225462 |
| 27739 | 17900 | Thread Cone (wood) |
| 41400 | 17620 | Machine Rest Pin (wood) |
| 60913 | 17900 | Spool Weight with 60914 |
| 60914 | 17900 | " " Center Pin, for 60913 |
| 120342 | 17620 | Oiler (copper plated) with 120343 |
| 120343 | 17620 | " Spout, 3-1/2 in. long, for 120342 |
| 150203 | 17900 | Thread Unwinder Spool Rest Cushion (felt) for 225258 |
| 200004E | 16613 | Arm Screw |
| 200006E | 16606 | Hook Saddle Screw |
| 200009E | 16606 | " " Pinch Screw, for 248434 |
| 200019E | 16608 | Feed Driving Crank Pinch Screw, for 240228 |
| 200019E | 16608 | " " Rock Shaft Crank Pinch Screw, for 223652 |
| 200029E | 16609 | Needle Bar Rock Frame Rock Shaft Crank Pinch Screw, for 223692 |
| 200056E | 16615 | Bobbin Winder Stop Latch Screw, for 259431 |
| 200061C | 16612 | Thread Controller Stud Set Screw |
| 200072C | 16610 | Needle Bar Connecting Stud Pinch Screw, for 223688 |
| 200074F | 16611 | Presser Foot Screw, for 208566 |
| 200082D | 16615 | Bobbin Winder Tension Bracket Screw, for 259431 |
| 200082D | 16613 | Foot Lifter Lifting Lever Extension Screw |
| 200086F | 16611 | Presser Bar Position Guide Lever Pinch Screw, for 202333 |
| 200086C | 16611 | Presser Bar Spring Bracket Pinch Screw, for 210949 |
| 200098F | 16610 | Needle Bar Rock Frame Position Bracket Screw |

| No. | Plate | Name |
|---------|-------|--|
| 200106E | 16608 | Feed Dog Screw |
| 200113F | 16615 | Bobbin Winder Brake Clamp Screw, for 259431 |
| 200113F | 16613 | Knee Lifter Connection Lever Lifting Rod Spring Collar Set Screw, for 227227 |
| 200118D | 16606 | Bobbin Case Opener Screw, for 248439 |
| 200125F | 16610 | Needle Set Screw, for 240020 |
| 200132E | 16611 | Take-up Lever Oiling Felt Screw |
| 200132E | 16612 | Thread Controller Spring Stop Screw |
| 200157B | 16613 | Attachment Screw |
| 200159F | 16612 | Tension Bracket Screw |
| 200161D | 16610 | Needle Bar Connecting Link Oil Guard Screw |
| 200164B | 16607 | Arm Shaft Connection Belt Timing Plate Screw |
| 200173D | 16608 | Feed Lifting Cam Oiling Felt Screw, for 224052 |
| 200175D | 16610 | Needle Bar Thread Guide Screw, for 240020 |
| 200262H | 16613 | Knee Lifter Connection Lever Hinge Screw |
| 200262H | 16613 | " " Lifting Lever Hinge Screw |
| 200278H | 16603 | Arm Cap Screw |
| 200299H | 16615 | Bobbin Winder Stop Latch Trip Lever Hinge Screw, for 259431 |
| 200309E | 16612 | Tension Release Lever Screw, for 240446 |
| 200327C | 16604 | Arm Shaft Connection Belt Pulley Set Screw, for 224104 |
| 200327C | 16607 | Hook Driving Shaft Bushing Set Screw |
| 200328C | 16603 | Balance Wheel Position Screw, for 248402 |
| 200333C | 16607 | Feed Driving Flange Position Screw, for 240232 |
| 200335C | 16603 | Arm Shaft Bushing (back) Set Screw |
| 200335C | 16603 | Balance Wheel Set Screw, for 248402 |
| 200335C | 16607 | Hook Saddle Bearing Set Screw |
| 200335C | 16610 | Needle Bar Crank Set Screw, for 202692 |
| 200341C | 16603 | Arm Shaft Bushing (front) Set Screw |
| 200346C | 16607 | Feed Driving Flange Set Screw, for 240232 |
| 200347C | 16610 | Needle Bar Rock Frame Hinge Stud Set Screw |
| 200352C | 16611 | Presser Bar Bushing Set Screw |
| 200352C | 16611 | " " Position Guide Set Screw |
| 200355H | 16612 | Thread Retainer Set Screw |
| 200362C | 16607 | Hook Driving Gear Set Screw, for 223867 |
| 200363C | 16610 | Take-up Lever Hinge Stud Set Screw |
| 200369C | 16607 | Feed Driving Eccentric Friction Oil Adjusting Screw, for 240232 |
| 200374C | 16610 | Needle Bar Connecting Link Stud Set Screw, for 202692 |
| 200378C | 16603 | Arm Shaft Ball Bearing Collar Set Screw, for 240054 |

| No. | Plate | Name |
|---------|-------|---|
| 200378C | 16607 | Hook Driving Shaft Ball Bearing Collar Set Screw, for 240060 |
| 200380C | 16615 | Bobbin Winder Pulley Set Screw, for 225368 |
| 200382C | 16607 | Feed Driving Eccentric Adjusting Disc Spring Collar Set Screw, for 248416 |
| 200382C | 16606 | Hook Driving Pinion Set Screw, for 248431 |
| 200383C | 16608 | Feed Driving Rock Shaft Stop Collar Set Screw, for 202625 |
| 200383C | 16610 | Needle Bar Connecting Link Stud Set Screw for 202692 |
| 200383C | 17900 | Thread Unwinder Spool Rest Rod Set Screw, for 202490 |
| 200387C | 16609 | Needle Bar Rock Frame Slide Block Stud Set Screw, for 223691 |
| 200403C | 16606 | Hook Ball Bearing Adjusting Screw Set Screw, for 248439 |
| 200428C | 16610 | Needle Bar Crank Position Screw, for 202692 |
| 200473B | 16613 | Face Plate Thumb Screw |
| 200502B | 16603 | Arm Shaft Bushing (front) Oil Packing Thumb Screw |
| 200529C | 16258 | Knee Lifter Rock Lever Rod Set Screw, for 228296 |
| 200538C | 16613 | Presser Bar Spring Regulating Screw |
| 200582H | 16612 | Thread Guide Screw |
| 200590H | 16605 | Hook Washer Screw, for 248445 |
| 200594C | 16605 | Bobbin Case Tension Spring Screw, for 236692 |
| 200602E | 16604 | Arm Shaft Connection Belt Pulley Position Screw, for 224104 |
| 200653C | 16611 | Presser Bar Lifter Hinge Screw |
| 200833C | 16604 | Needle Bar Rock Frame Rock Shaft Crank Connection Hinge Screw (upper) |
| 200835D | 16613 | Foot Lifter Lifting Lever Spring Stop Screw |
| 200861D | 16613 | Bed Slide (back) Locking Thumb Screw |
| 200861D | 16613 | Cloth Guide Thumb Screw |
| 200948F | 16613 | Presser Bar Spring Support Screw |
| 200958C | 16604 | Feed Indicating Disc Set Screw, for 248449 |
| 200975F | 16611 | Presser Bar Lifting Releasing Lever Bracket Guide Screw |
| 200978H | 16612 | Thread Controller Disc Screw, for 240446 |
| 201016F | 16605 | Bobbin Case Tension Spring Regulating Screw, for 236692 |
| 201018C | 17900 | Thread Unwinder Spool Rest Set Screw, for 225257 |
| 201141C | 16609 | Needle Bar Rock Frame Slide Block Stud, for 210920 |
| 201181C | 16607 | Feed Driving Connection Hinge Screw |

NUMERICAL LIST OF PARTS

| No. | Plate | Name |
|---------|-------|---|
| 201199F | 16612 | Thread Controller Stud with 204925, for 240446 |
| 201220C | 16607 | Feed Lifting Cam Set Screw, for 224154 |
| 201220C | 16607 | Hook Driving Shaft Ball Bearing Collar Position Screw, for 240060 |
| 201222C | 16607 | Hook Driving Gear Position Screw, for 223867 |
| 201224B | 16612 | Tension Stud, for 240023 |
| 201246C | 16606 | Bobbin Case Opener Lever Hinge Stud Set Screw, for 248434 |
| 201253F | 16605 | Hook Gib Screw, for 248445 |
| 201254C | 16607 | " Driving Shaft Connection Belt Pulley Set Screw, for 224112 |
| 201349C | 16606 | Bobbin Case Opener Lever Driving Screw Stud, for 224005 |
| 201407C | 16604 | Needle Bar Rock Frame Rock Shaft Crank Connection Hinge Screw (lower) |
| 201499B | 16615 | Bobbin Winder Tension Stud, for 225461 |
| 201517E | 16604 | Needle Bar Rock Frame Rock Shaft Crank Connection Hinge Screw (lower) Nut |
| 201518E | 16608 | Feed Bar Hinge Screw Nut, for 240233 |
| 201518E | 16607 | " Driving Connection Hinge Screw Nut |
| 201522E | 16604 | Needle Bar Rock Frame Rock Shaft Crank Connection Hinge Screw (upper) Nut |
| 201542C | 16606 | Bobbin Case Opener Lever Driving Screw Stud Nut, for 224005 |
| 201572B | 16615 | Bobbin Winder Tension Stud Thumb Nut, for 225462 |
| 201572B | 16612 | Tension Thumb Nut, for 240446 |
| 201572B | 16612 | Thread Controller Stud Thumb Nut, for 240446 |
| 201696J | 17900 | Thread Unwinder Thread Guide Lock Nut, for 225258 |
| 202005 | 16613 | Arm Screw Washer |
| *202056 | ----- | Bobbin Case Latch Pin, for 236692 |
| 202090 | 16611 | Presser Foot Hinge Pin, for 229882 |
| 202135 | 16613 | Face Plate Position Pin, for 248401 |
| 202244 | 16603 | Arm Shaft Bushing (front) Oil Packing (wick), for 207080 |
| 202248 | 16603 | Arm Cap Screw Washer |
| 202253 | 16604 | " Shaft Connection Belt Pulley Spring Flange, for 224104 |
| 202253 | 16607 | Hook Driving Shaft Connection Belt Pulley Spring Flange, for 224112 |
| 202254 | 16610 | Needle Bar Connecting Link Stud Oil Packing (wick), for 202333 |
| 202277 | 16606 | Bobbin Case Opener Lever Hinge Stud Oil Packing (wick), for 265088 |
| 202277 | 16615 | Bobbin Winder Frame Oil Packing (wick), for 225453 |

NUMERICAL LIST OF PARTS

| No. | Plate | Name |
|--------|-------|---|
| 202277 | 16604 | Needle Bar Rock Frame Rock Shaft Crank Oil Packing (wick), for 223693 |
| 202277 | 16610 | Take-up Lever Driving Stud Oil Packing (wick), for 202399 |
| 202302 | 16613 | Knee Lifter Connection Lever Lifting Rod Cotter Pin, for 223684 |
| 202330 | 16610 | Needle Bar Connecting Stud Oil Packing (wick), for 223688 |
| 202333 | 16610 | Needle Bar Connecting Link Stud with 202254, for 202692 |
| 202337 | 16611 | Presser Bar Position Guide |
| 202338 | 16611 | " " " " Lever with 200086F |
| 202399 | 16610 | Take-up Lever Driving Stud with 202277, for 240021 |
| 202400 | 16610 | Take-up Lever Hinge Stud with 202423, for 240021 |
| 202401 | 16611 | Take-up Lever Oiling Felt |
| 202412 | 16603 | Thread Guide |
| 202423 | 16610 | Take-up Lever Hinge Stud Oil Packing (wick), for 202400 |
| 202455 | 16258 | Knee Lifter Rock Lever Knee Plate Arm, for 228298 |
| 202478 | 16615 | Bobbin Winder Stop Latch Trip Lever, for 259431 |
| 202490 | 17900 | Thread Unwinder Spool Stand with 200383C, for 225258 |
| 202552 | 16610 | Needle Bar Connecting Link, for 240021 |
| 202625 | 16608 | Feed Driving Rock Shaft Stop Collar with two 200383C |
| 202668 | 16610 | Needle Bar Rock Frame Position Bracket |
| 202668 | 16609 | " " " " Slide Block, for 210920 |
| 202671 | 16611 | Presser Bar Lifter |
| 202692 | 16610 | Needle Bar Crank with 200335C, 200374C, 200383C, 200428C and 202333, for 240021 |
| 202784 | 17620 | Foot Lifter Lever Chain Hook (upper), for 227678 |
| 203013 | 16611 | Presser Foot Plate, for 229882 |
| 203101 | 16608 | Bobbin Case Opener Lever Driving Screw Stud Oil Packing (wick), for 224005 |
| 203172 | 16610 | Needle Bar Crank Friction Washer |
| 203216 | 16605 | Bobbin Case Washer (cloth), for 236692 |
| 203470 | 16605 | Bobbin |
| 203473 | 16605 | " Case Latch Plunger, for 236692 |
| 203474 | 16605 | " " " Spring, for 236692 |
| 203525 | 16605 | Hook Gib, for 248445 |
| 203648 | 16605 | Bobbin Case Latch, for 236692 |
| 204235 | 16613 | Arm Position Pin |
| 204271 | 16612 | Tension Release Washer, for 240446 |

NUMERICAL LIST OF PARTS

| No. | Plate | Name |
|--------|-------|--|
| 204479 | 16606 | Hook Ball Bearing Adjusting Screw Set Screw Packing (brass), for 248439 |
| 204925 | 16612 | Thread Controller Stud Washer, for 201199F |
| 206608 | 16611 | Presser Bar Lifting Releasing Lever Bracket Spring |
| 206628 | 16613 | Knee Lifter Connection Lever Lifting Rod Spring |
| 206758 | 16604 | Needle Bar Rock Frame Rock Shaft Crank Connection Hinge Screw (lower) Oil Packing (wick) |
| 207072 | 16611 | Presser Bar Bushing |
| 207080 | 16603 | Arm Shaft Bushing (front) with 202244 |
| 207963 | 16611 | Presser Bar Lifting Releasing Lever Bracket |
| 207965 | 16613 | Presser Bar Spring (flat) |
| 208566 | 16611 | " " with 200074F |
| 210911 | 16613 | Face Plate |
| 210920 | 16609 | Needle Bar Rock Frame Slide Block 202668 with 201141C, for 223691 |
| 210949 | 16611 | Presser Bar Spring Bracket with 200086C |
| 210954 | 16612 | Thread Guide (lower) |
| 210955 | 16612 | " " (upper) |
| 215911 | 16611 | Presser Foot Shank, for 229882 |
| 223438 | 16612 | Tension Spring, for 240446 |
| 223650 | 16608 | Feed Driving Rock Shaft, for 240233 |
| 223652 | 16608 | " " " " Crank with 200019E |
| 223655 | 16608 | " Lifting Cam Oiling Felt, for 224052 |
| 223684 | 16613 | Knee Lifter Connection Lever Lifting Rod with 202302 |
| 223688 | 16610 | Needle Bar Connecting Stud with 200072C and 202330, for 240021 |
| 223690 | 16609 | Needle Bar Rock Frame Rock Shaft, for 223691 |
| 223691 | 16609 | Needle Bar Rock Frame Rock Shaft 223690 with 200387C and 210920 |
| 223692 | 16609 | Needle Bar Rock Frame Rock Shaft Crank with 200029E |
| 223693 | 16604 | Needle Bar Rock Frame Rock Shaft Crank Connection with 202277 |
| 223703 | 16612 | Tension Release Lever, for 240446 |
| 223704 | 16612 | " " Plunger, for 240446 |
| 223706 | 16612 | Thread Controller Disc, for 240446 |
| 223733 | 16613 | Foot Lifter Lifting Lever Extension |
| 223811 | 16613 | Bed Slide (back) Stop |
| 223812 | 16613 | " " " " Spring |
| 223867 | 16607 | Hook Driving Gear (spiral) with 200362C and 201222C |
| 224002 | 16603 | Arm Cap |

NUMERICAL LIST OF PARTS

| No. | Plate | Name |
|--------|-------|--|
| 224005 | 16606 | Bobbin Case Opener Lever with 201349C, 201542C and 203101, for 248439 |
| 224025 | 16605 | Hook Washer, for 248445 |
| 224040 | 16612 | Thread Guide |
| 224052 | 16608 | Feed Lifting Cam Fork with 200173D and 223655, for 240224 |
| 224103 | 16604 | Arm Shaft Connection Belt |
| 224104 | 16604 | " " " " Pulley with 200327C, 200602E and two 202253 |
| 224112 | 16607 | Hook Driving Shaft Connection Belt Pulley with 202253 and two 201254C |
| 224121 | 16258 | Drip Pan, 20 in. long, with four 1 in. wire nails |
| 224139 | 16607 | Arm Shaft Connection Belt Timing Plate |
| 224154 | 16607 | Feed Lifting Cam with 201220C |
| 224392 | 16603 | Arm Shaft Oil Packing (wick), for 248440 |
| 225016 | 17620 | Foot Lifter Lever Hinge Pin, for 227955 |
| 225257 | 17900 | Thread Unwinder Spool Rest (for two spools) (flat) with 201018C, for 225258 |
| 225258 | 17900 | Thread Unwinder (for two spools) (flat) complete, Nos. 201696J, 202490, 225257, 225324, 225326, 225388, two each 150203, 225391 and three wood screws 7/8 in. No. 12 |
| 225322 | 17900 | Thread Unwinder Thread Guide Rod Washer, for 225324 |
| 225324 | 17900 | Thread Unwinder Thread Guide Rod with 208E and 225322, for 225258 |
| 225326 | 17900 | Thread Unwinder Thread Guide Position Cup, for 225258 |
| 225368 | 16615 | Bobbin Winder Pulley with 200380C, for 259431 |
| 225377 | 17900 | Spool Wire (for small spools) |
| 225381 | 16615 | Bobbin Winder Spindle, for 259431 |
| 225388 | 17900 | Thread Unwinder Spool Rest Rod, for 225258 |
| 225390 | 17900 | " Cone Holder |
| 225391 | 17900 | " Unwinder Thread Guide, for 225258 |
| 225438 | 16615 | Bobbin Winder Frame Oil Well Cap, for 225453 |
| 225444 | 16615 | Bobbin Winder Stop Latch, for 259431 Nos. 225453 to 225456, for 259431 |
| 225453 | 16615 | Bobbin Winder Frame with 202277 and 225438 |
| 225454 | 16615 | " " " Hinge Pin |
| 225455 | 16615 | " " " Spring |
| 225456 | 16615 | " " " Plunger |
| 225458 | 16615 | " " Stop Latch Thumb Lever, for 259431 |
| 225459 | 16615 | Bobbin Winder Stop Latch Thumb Lever Hinge Stud, for 259431 |

| No. | Plate | Name |
|---------|-------|--|
| 225459 | 16615 | Bobbin Winder Stop Latch Thumb Lever Joint Stud, for 259431 |
| 225461 | 16615 | Bobbin Winder Tension Bracket with 201499B, for 225462 |
| 225462 | 16615 | Bobbin Winder Tension Bracket complete, Nos. 13710, 201572B, 225461 and two 2102, for 259431 |
| *225482 | ----- | Bobbin Case Screw Driver Blade, for 225497 |
| *225483 | ----- | " " " " Handle, for 225497 |
| *225484 | ----- | Screw Driver Blade, for 225498 |
| *225485 | ----- | " " Handle, for 225498 |
| 225497 | 17620 | Bobbin Case Screw Driver complete, Nos. 225482 and 225483 |
| 225498 | 17620 | Screw Driver complete (7-1/4 in. long), Nos. 225484 and 225485 |
| 225554 | 17620 | Wrench (steel) |
| 225585 | 16606 | Hook Saddle Screw Washer |
| 225837 | 16608 | Feed Lifting Cam Fork Screw Washer, for 240224 |
| 227227 | 16613 | Knee Lifter Connection Lever Lifting Rod Spring Collar with 200113F |
| 227561 | 16613 | Foot Lifter Lifting Lever Spring |
| 227678 | 17620 | " " Lever Chain, 48 in. long, with 202784, for 227955 |
| 227728 | 16258 | Knee Lifter Rock Lever Rod with 227729, for 228298 |
| *227729 | ----- | Knee Lifter Rock Lever Rod Cap, for 227728 |
| 227952 | 17620 | Foot Lifter Lever (left or right) with 227954, for 227955 |
| 227953 | 17620 | Foot Lifter Lever Stand with two wood screws 1 in. No. 12, for 227955 |
| 227954 | 17620 | Foot Lifter Lever Chain Hook (lower), for 227952 |
| 227955 | 17620 | Foot Lifter Lever (left or right) com- plete, Nos. 225016, 227678, 227952 and 227953 |
| 228026 | 16615 | Bobbin Winder Tension Bracket Screw Washer for 259431 |
| 228284 | 16258 | Knee Lifter Rock Lever Knee Plate with 356C, for 228298 |
| 228294 | 16258 | Knee Lifter Rock Lever with two 356C, for 228299 |
| 228295 | 16258 | Knee Lifter Rock Lever Bracket with 356C, and four wood screws 7/8 in., No. 12, for 228299 |
| 228296 | 16258 | Knee Lifter Rock Lever Extension with 200529C, for 228298 |
| 228297 | 16258 | Knee Lifter Rock Lever Hinge Pin, for 228299 |

| No. | Plate | Name |
|---------|-------|--|
| 228298 | 16258 | Knee Lifter complete, Nos. 202455, 227728, 228284, 228296 and 228299 |
| 228299 | 16258 | Knee Lifter Rock Lever Bracket 228295 with 228294 and 228297, for 228298 |
| 229882 | 16611 | Presser Foot (hinged) complete, Nos. 202090 203013 and 215911 |
| 231337 | 16613 | Cloth Guide |
| 235072 | 16611 | Tension Release Lever Rod |
| 236060 | 16612 | " Disc Position Pin, for 240023 |
| 236083 | 16605 | Bobbin Case Tension Spring, for 236692 |
| *236691 | ----- | " " for 236692 |
| 236692 | 16605 | Bobbin Case complete, Nos. 200594C, 201016F, 202056, 203216, 203473, 203474, 203648, 236083, 236691, 241674, 241675 and two 350405C, for 248446 |
| 237174 | 16612 | Thread Controller Spring, for 240446 |
| 237629 | 16607 | Hook Driving Shaft Bushing (front) |
| 240003 | 16613 | Bed Slide (back) |
| 240004 | 16613 | " " (front) |
| 240020 | 16610 | Needle Bar with 200125F, 200175D and 240039 |
| 240021 | 16610 | Needle Bar Crank 202692 with 202399, 202400, 202552, 223688 and 240022 |
| 240022 | 16610 | Take-up Lever, for 240021 |
| 240023 | 16612 | Tension Bracket with 201224B and 236060, for 240446 |
| 240026 | 16614 | Throat Plate, for 240079 |
| 240027 | 16613 | " " " 240076 to 240078 |
| 240034 | 16612 | Thread Retainer |
| 240039 | 16610 | Needle Bar Thread Guide, for 240020 |
| *240053 | 16603 | Arm Shaft Bushing (back), for 240057 |
| *240054 | 16603 | " " Ball Bearing Collar with two 200378C, for 240055 |
| 240055 | 16603 | Arm Shaft Ball Bearing Collar 240054 with 249440, for 240057 |
| *240056 | 16603 | Arm Shaft Ball Bearing Retaining Washer, for 240057 |
| *240056 | 16607 | Hook Driving Shaft Ball Bearing Retaining Washer, for 240063 |
| 240057 | 16603 | Arm Shaft Bushing (back) (ball bearing) complete, Nos. 240053, 240055 and 240056 |
| *240058 | 16607 | Hook Driving Shaft Bushing (back), for 240063 |
| *240060 | 16607 | Hook Driving Shaft Ball Bearing Collar with 200378C and 201220C, for 240061 |
| 240061 | 16607 | Hook Driving Shaft Ball Bearing Collar 240060 with 249440, for 240063 |
| 240063 | 16607 | Hook Driving Shaft Bushing (back) (ball bearing) complete, Nos. 240056, 240058 and 240061 |

NUMERICAL LIST OF PARTS

| No. | Plate | Name |
|---------|-------|---|
| 240067 | 16613 | Knee Lifter Connection Lever |
| 240068 | 16613 | " " Lifting Lever |
| | | Nos. 240076 to 240078, for 240027 |
| 240076 | 16614 | Feed Dog, 50 needle hole, for needle sizes 14 and 15, |
| 240077 | 16608 | Feed Dog, 46 needle hole, for needle sizes 16 and 18 |
| 240078 | 16614 | Feed Dog, 40 needle hole, for needle size 20 |
| 240079 | 16614 | Feed Dog, 40 needle hole, for needle size 20, for 240026 |
| 240223 | 16608 | Feed Bar, for 240224 |
| 240224 | 16608 | " " 240223 with 224052, 225837 and 350197E, for 240233 |
| 240225 | 16607 | Feed Driving Connection with 240226 and 240227 |
| 240226 | 16607 | Feed Driving Connection Oiling Felt, for 240225 |
| 240227 | 16607 | Feed Driving Connection Oiling Felt Retaining Wire, for 240225 |
| 240228 | 16608 | Feed Driving Crank with 200019E |
| 240229 | 16607 | " " Eccentric |
| 240230 | 16607 | " " Adjusting Disc |
| 240231 | 16607 | " " Friction Gib |
| 240232 | 16607 | " " Flange with 200333C, 200346C, two each 200369C and 350101C |
| 240233 | 16608 | Feed Driving Rock Shaft 223650 with 201518E, 240224 and 350393C |
| 240235 | 16607 | Feed Regulating Stud |
| 240243 | 16607 | Hook Saddle Bearing |
| 240245 | 16607 | Feed Regulating Stud Retaining Spring |
| *240249 | ----- | Bed |
| 240250 | 16607 | Hook Driving Shaft |
| 240446 | 16612 | Tension Bracket complete, Nos. 200978H, 201199F, 204271, 223438, 223703, 223704, 223706, 237174, 240023, two each 200309E, 201572B and 244048 |
| 241674 | 16605 | Bobbin Case Oiling Felt, for 236692 |
| 241675 | 16605 | " " " " Retainer, for 236692 |
| 242117 | 16612 | Thread Controller Spring Stop |
| 244048 | 16612 | Tension Disc, for 240446 |
| *248401 | ----- | Arm with 202135 |
| 248402 | 16603 | Balance Wheel (disc) (belt groove 2-1/8 in. diam.) with 200328C and 200335C |
| 248404 | 16606 | Bobbin Case Opener, for 248439 |
| 248405 | 16606 | " " " Lever Link, for 248439 |
| 248415 | 16607 | Feed Driving Eccentric Adjusting Disc Spring |

| No. | Plate | Name |
|---------|-------|---|
| 248416 | 16607 | Feed Driving Eccentric Adjusting Disc Spring Collar with two 200382C |
| 248425 | 16607 | Feed Regulating Stud Spring |
| 248429 | 16606 | Hook Ball Bearing Washer (steel), for 248439 |
| 248430 | 16606 | Hook Ball Bearing Washer (felt), for 248439 |
| 248431 | 16606 | Hook Driving Pinion (spiral) with two 200382C, for 248439 |
| 248434 | 16606 | Hook Saddle with 200009E and 201246C, for 248439 |
| 248435 | 16606 | Hook Saddle Oil Pad (felt), for 248439 |
| 248436 | 16610 | Needle Bar Rock Frame |
| 248437 | 16610 | " " " " Hinge Stud |
| 248439 | 16606 | Hook Saddle complete, Nos. 200118D, 200403C, 204479, 224005, 248404, 248405, 248430, 248431, 248434, 248446, 265088, 350394E, two each 248429, 249365 and four 248435 |
| 248440 | 16603 | Arm Shaft with 224392 and 350431E |
| *248444 | 16605 | Hook (sewing), for 248445 |
| 248445 | 16605 | " 248444 with 203525, 224025, two each 200590H and 201253F, for 248446 |
| 248446 | 16605 | Hook and Bobbin Case complete, Nos. 236692 and 248445, for 248439 |
| 248449 | 16604 | Feed Indicating Disc with 200958C |
| 249365 | 16606 | Hook Ball Bearing, for 248439 |
| 249440 | 16603 | Arm Shaft Ball Bearing, for 240055 |
| 249440 | 16607 | Hook Driving Shaft Ball Bearing, for 240061 |
| 255168 | 16607 | Bed Oil Cup |
| | | Nos. 259428 to 259430, for 259431 |
| 259428 | 16615 | Bobbin Winder Brake (leather) |
| 259429 | 16615 | " " " Clamp |
| 259430 | 16615 | " " and Tension Bracket Base |
| 259431 | 16615 | Universal Bobbin Winder complete, Nos. 200056E, 200082D, 200113F, 200299H, 202478, 225368, 225381, 225444, 225453 to 225456, 225458, 225462, 228026, 259428 to 259430, two each 225459 and wood screws 3/4 in. No. 12, R. H. B. |
| 264718 | 16610 | Needle Bar Connecting Link Oil Guard |
| 265088 | 16606 | Bobbin Case Opener Lever Hinge Stud with 202277, for 248439 |
| 350101C | 16607 | Feed Driving Eccentric Friction Gib Adjusting Screw Set Screw, for 240232 |
| 350197E | 16608 | Feed Lifting Cam Fork Screw, for 240224 |
| 350393C | 16608 | " Bar Hinge Screw (driving), for 240233 |
| 350394E | 16606 | Hook Ball Bearing Adjusting Screw, for 248439 |

NUMERICAL LIST OF PARTS

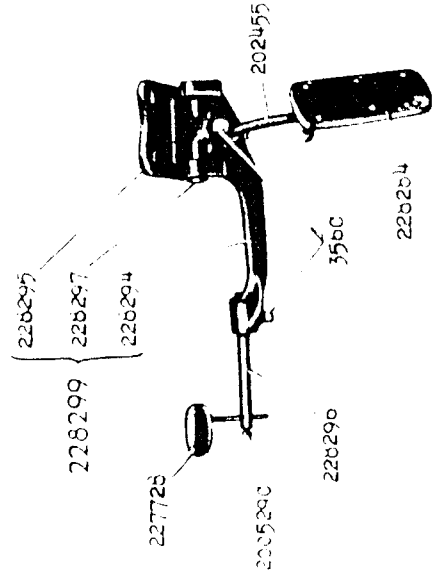
| No. | Plate | Name |
|---------|-------|---|
| 350405C | 16605 | Bobbin Case Oiling Felt Retainer Screw, for 236692 |
| 350419H | 16603 | Balance Wheel Adjusting Screw |
| 350431E | 16603 | Arm Shaft Oil Packing Stop Screw, for 248440 |

Genuine Singer Needles should be used
in Singer Machines.
These Needles and their Containers
are marked with the
Company's Trade Mark "SIMANCO." 1

Needles in Containers marked
"For Singer Machines"
are not Singer made needles. 2

ILLUSTRATIONS
OF
PARTS

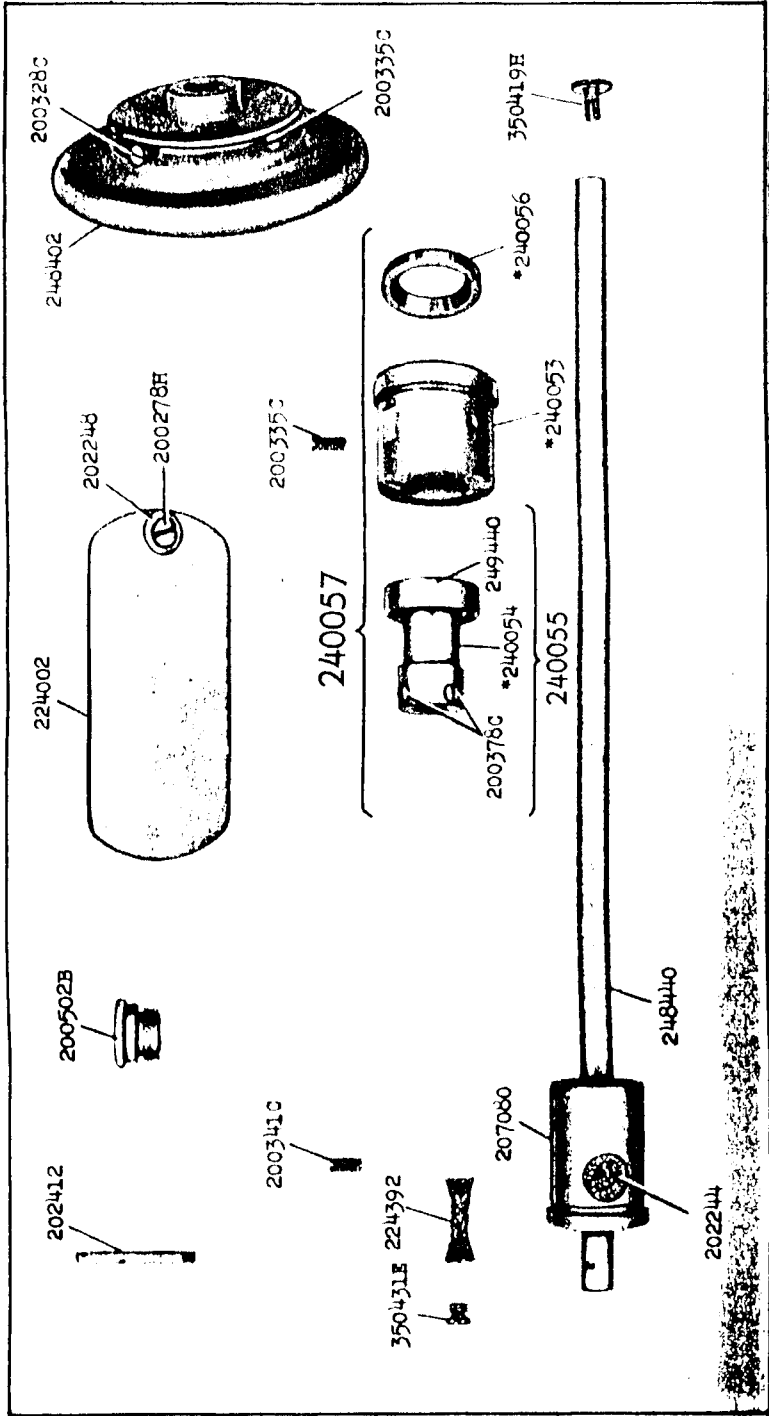
228298



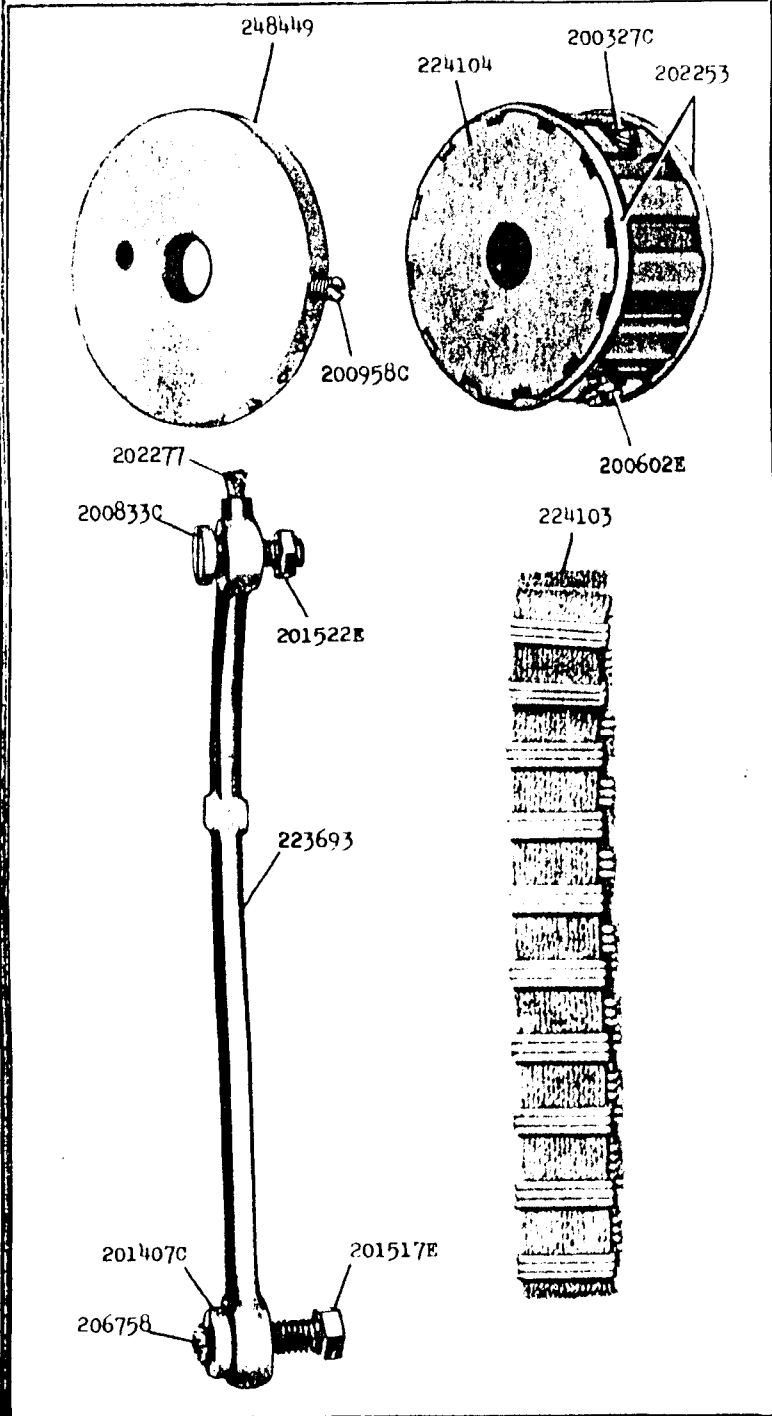
224121



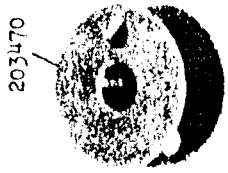
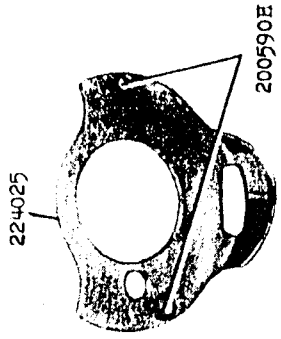
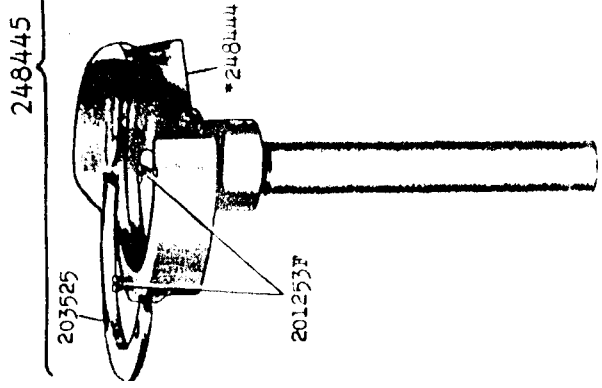
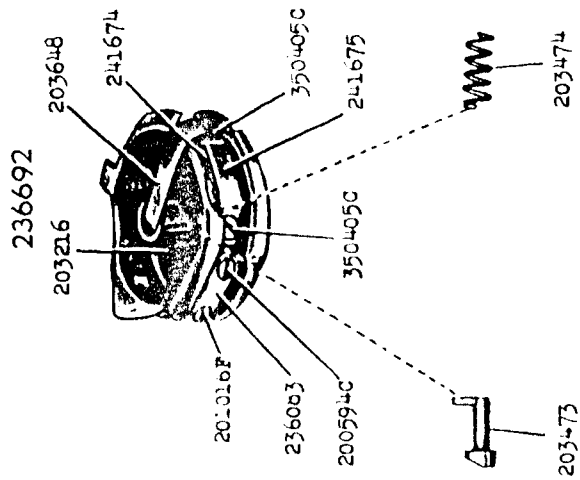
16603 - 3/8



16604 - 3/8

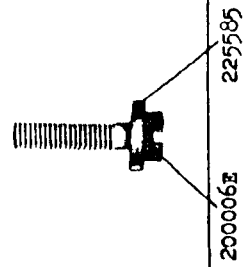
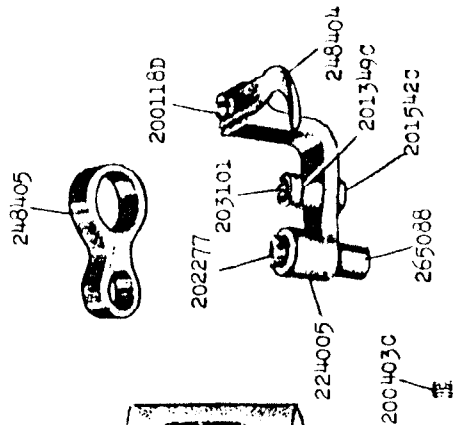
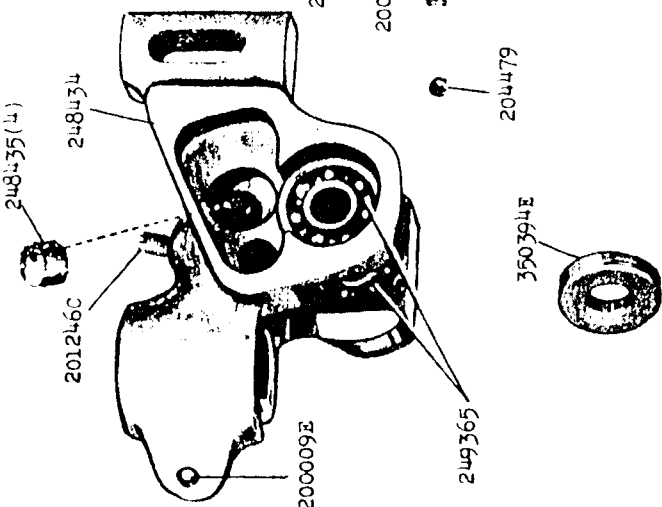
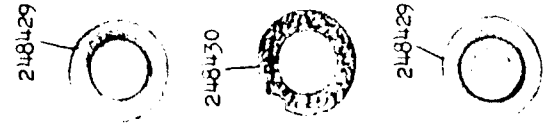
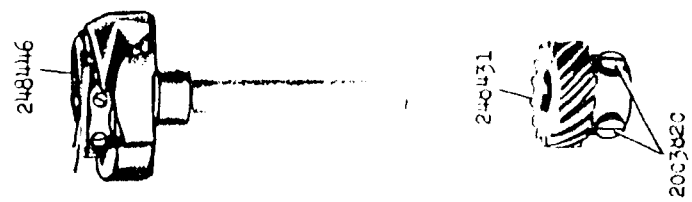


248446

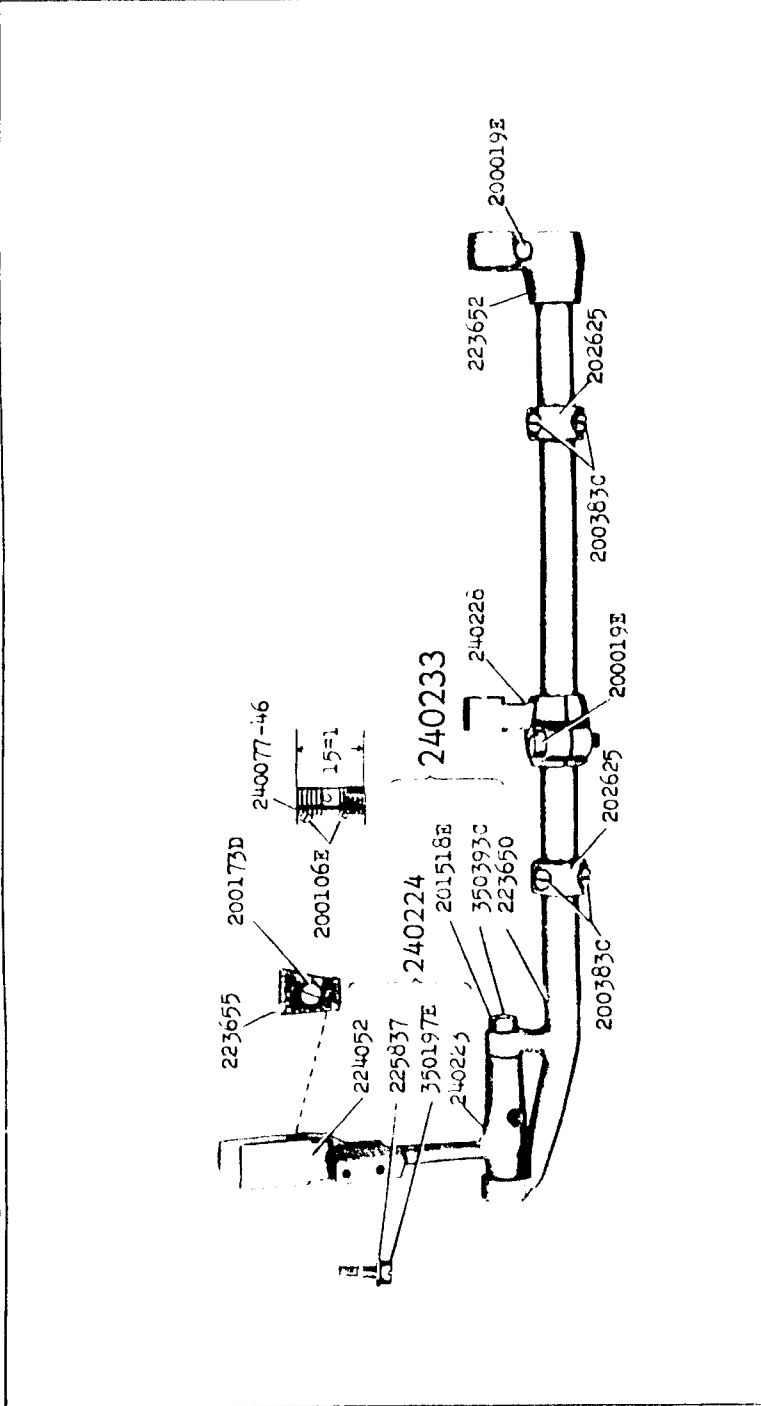
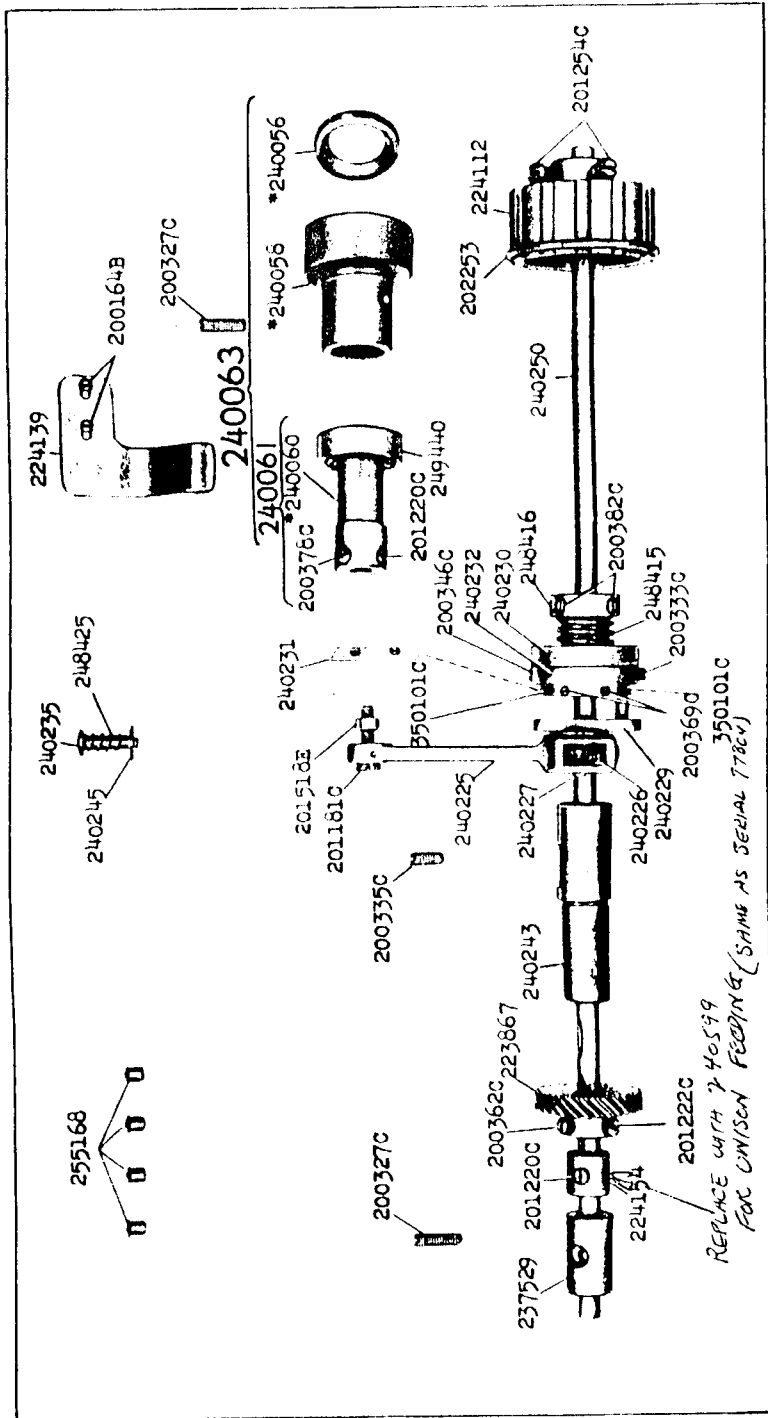


16605

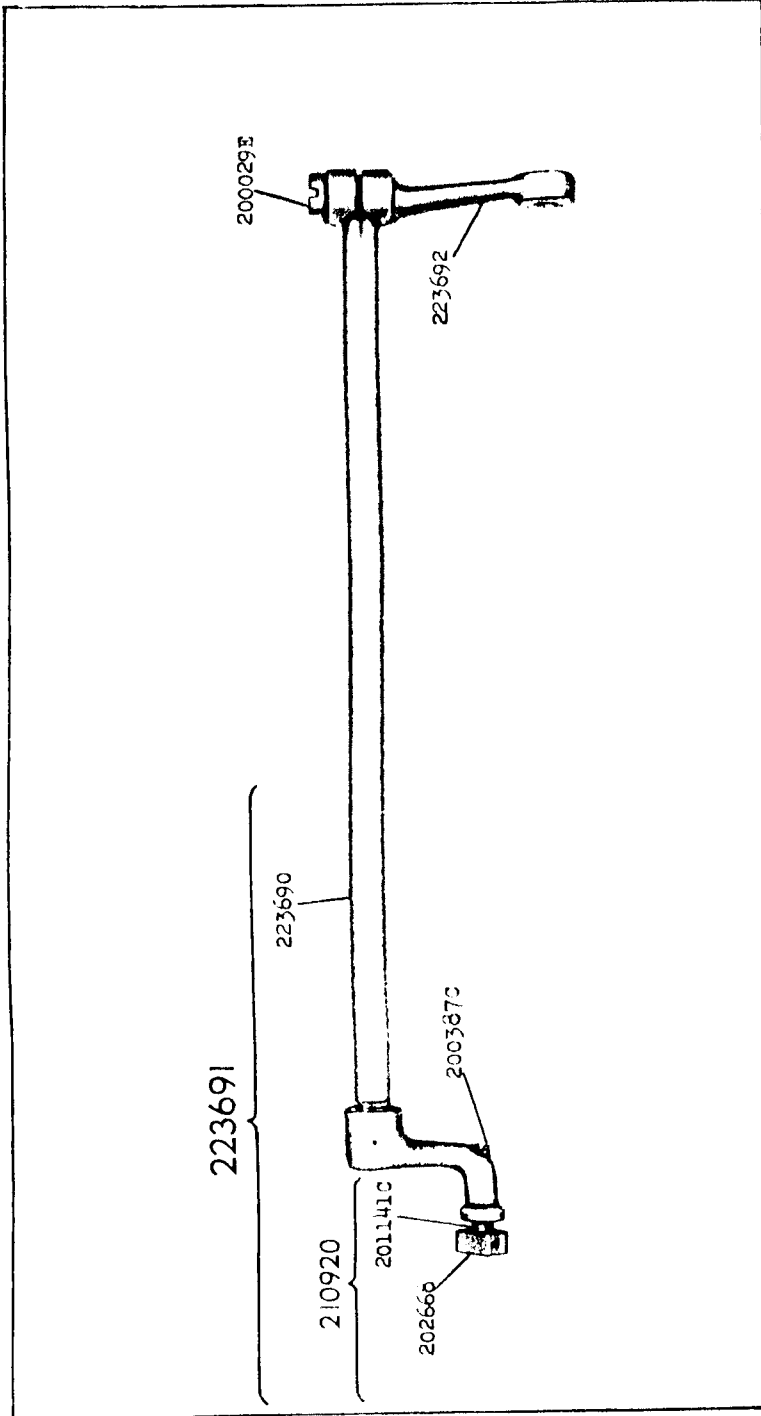
248439



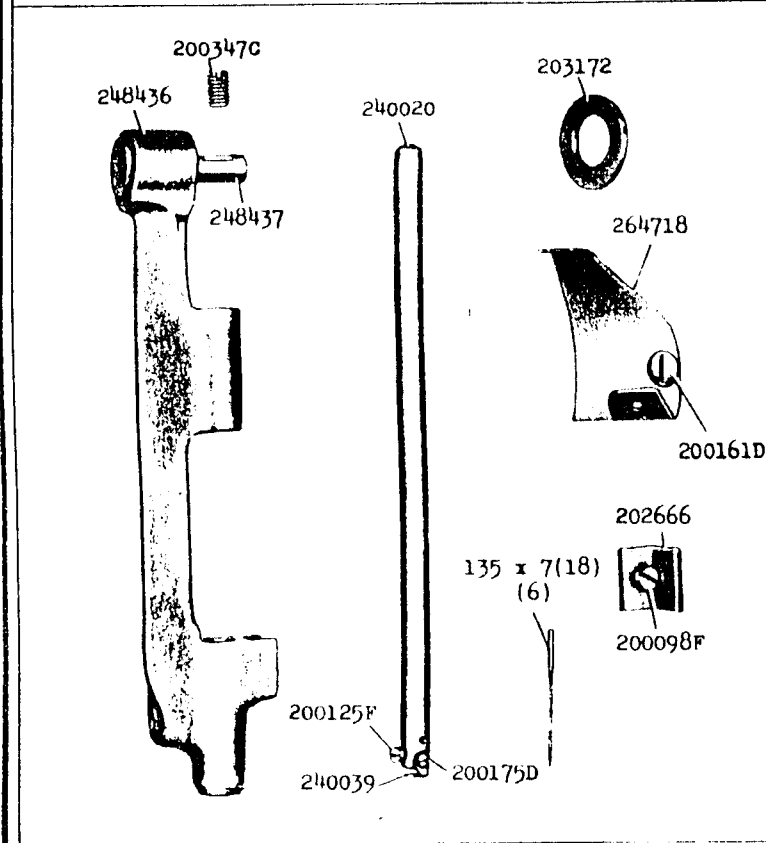
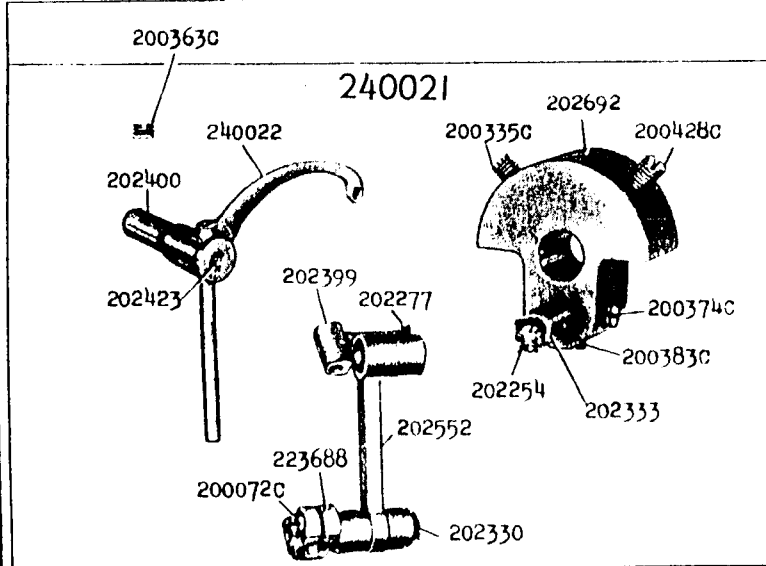
16606 - 5/8



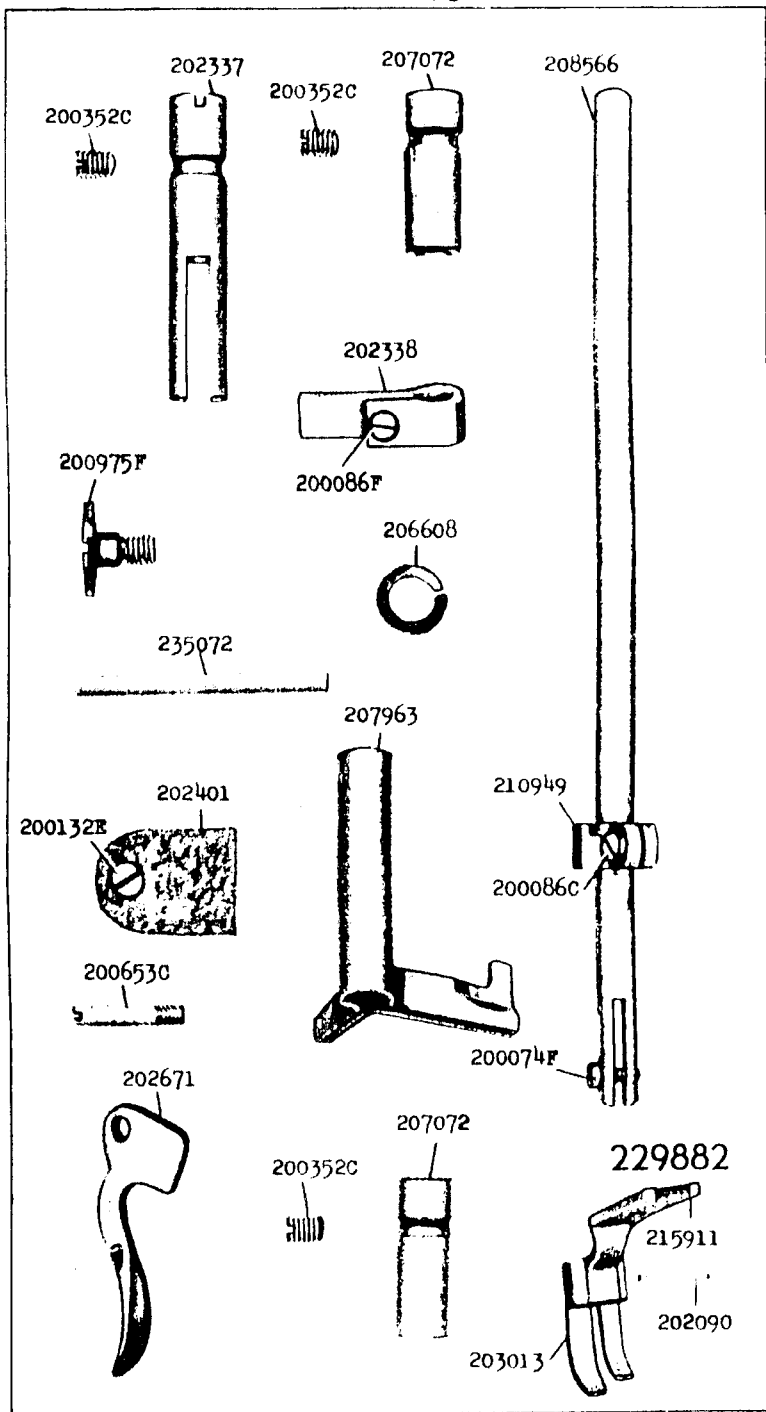
16609 - 1/2



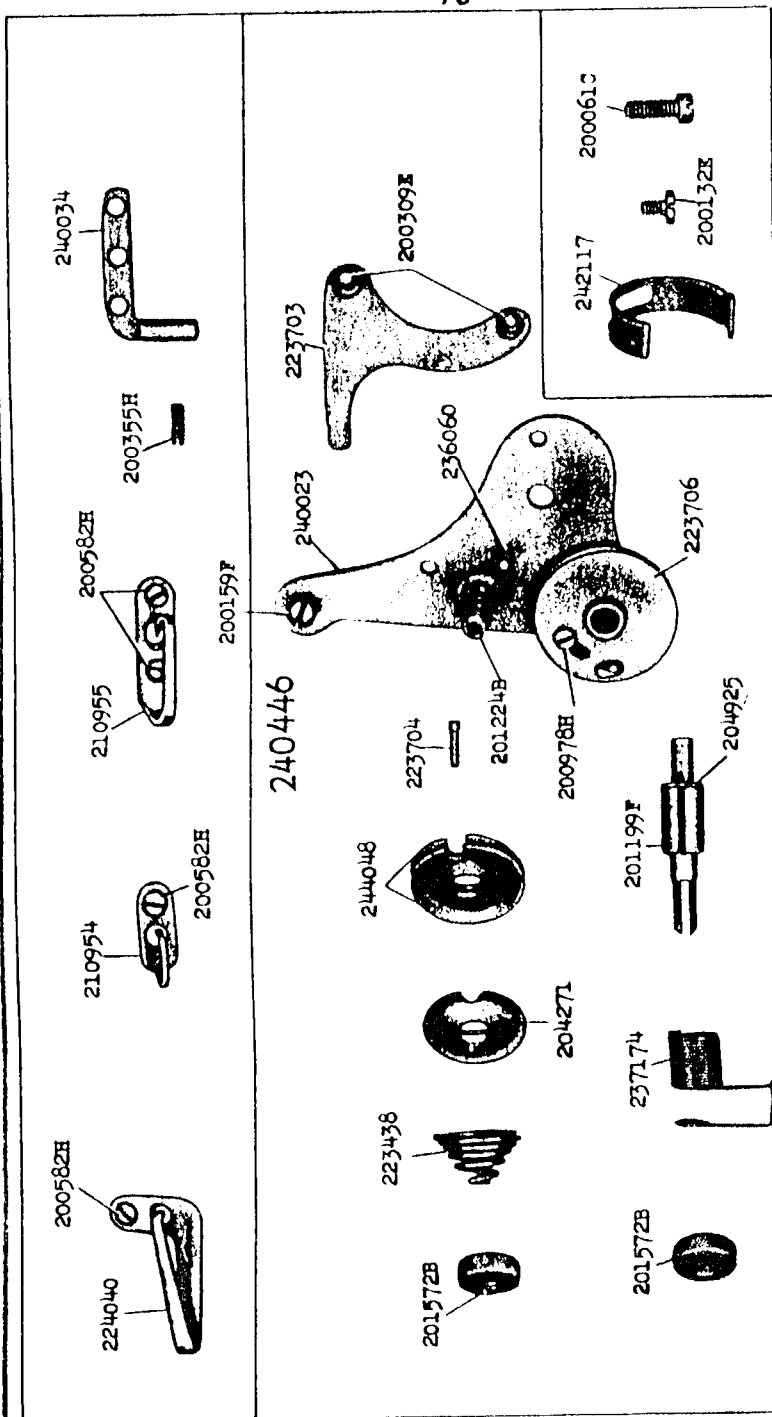
16610



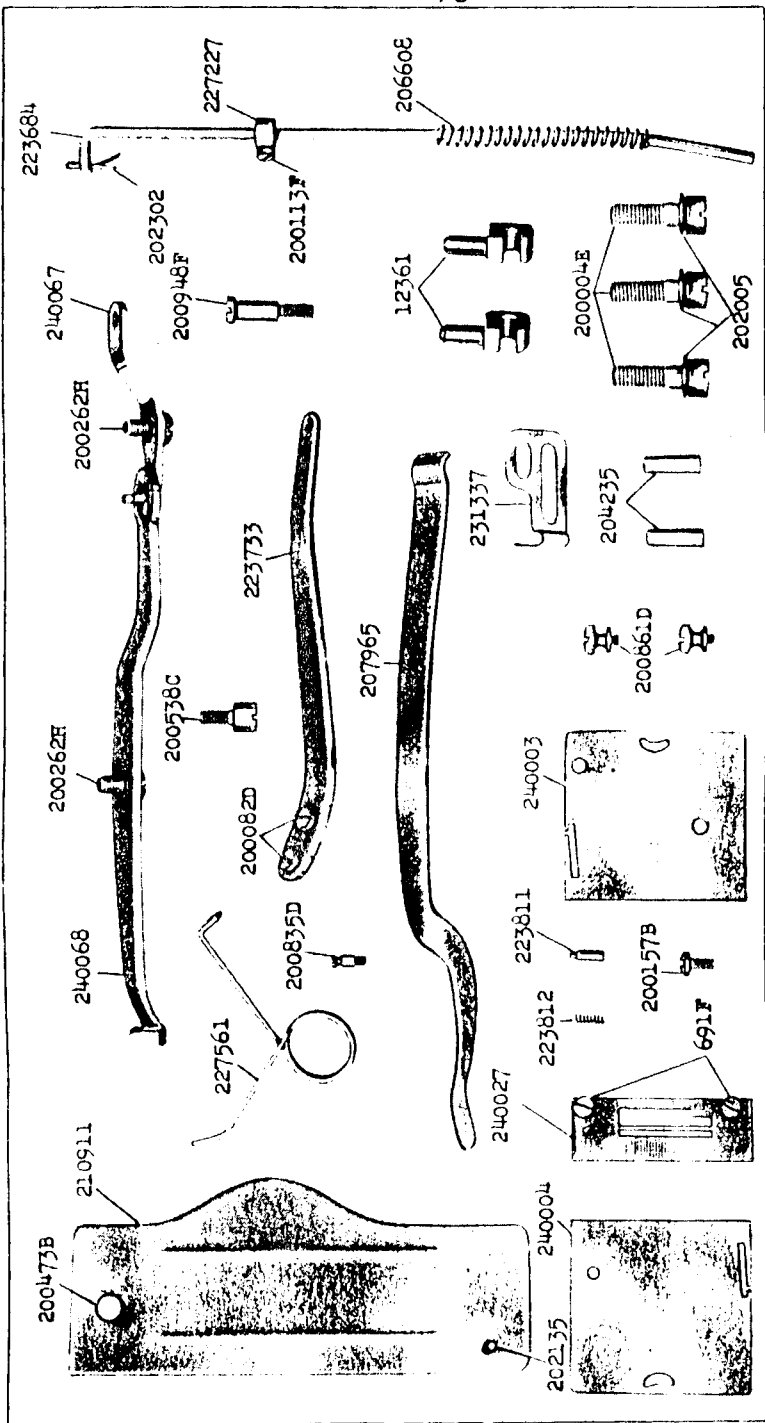
16611 - 5/8



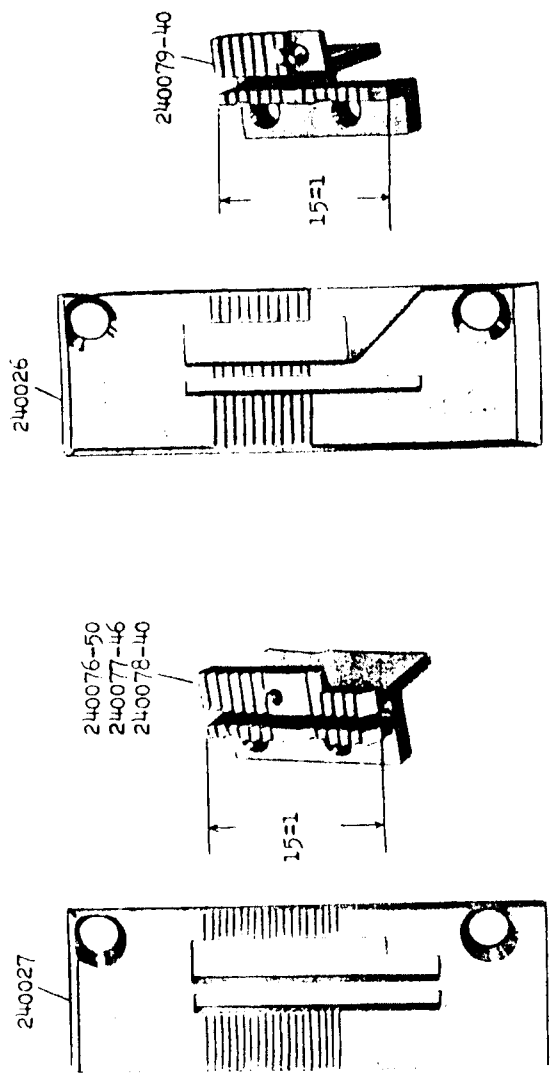
16612 - 2/3



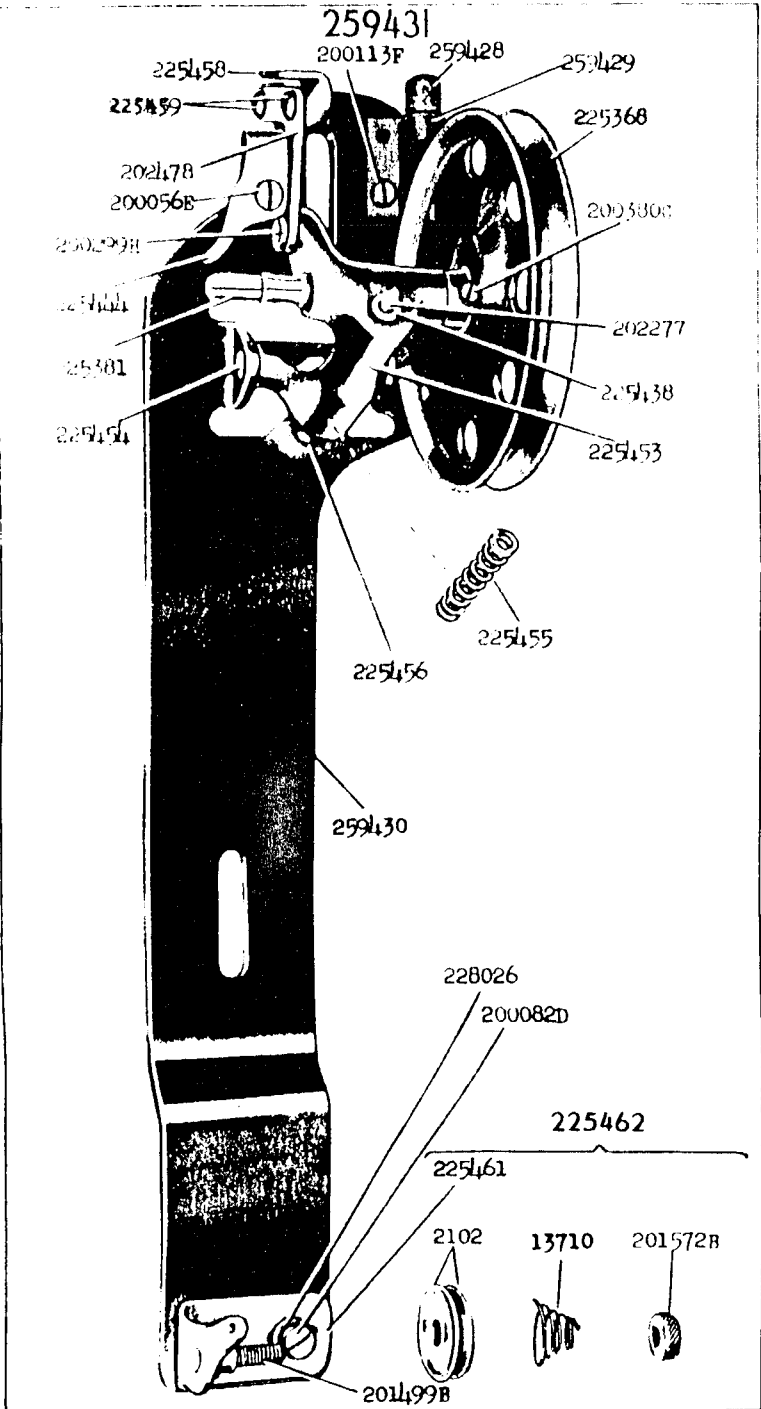
16613 - 3/8



16614

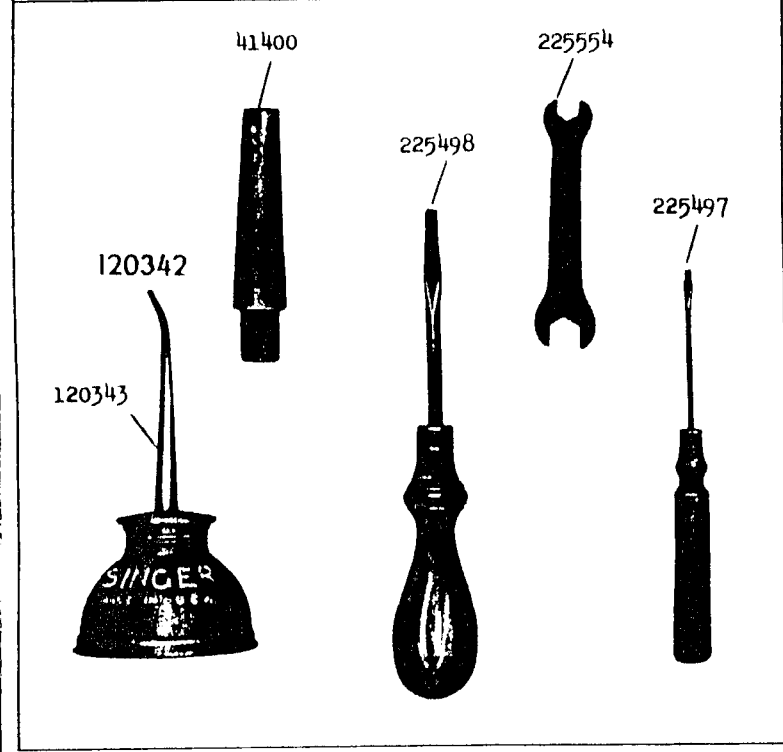
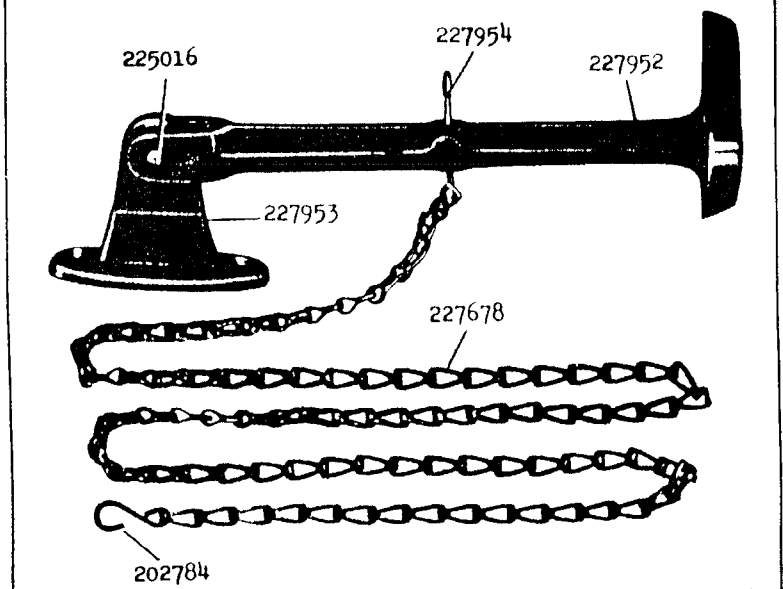


16615 - 1/2



17620 - 1/3

227955



17900 - 1/6

225258

