

SINGER
112W146

Form 3115w
(757)
Printed in U. S. A.

LIST OF PARTS



SINGER^{**}

MACHINE No. 112w146

THE SINGER MANUFACTURING COMPANY

INSTRUCTIONS FOR OILING

To insure easy running and prevent unnecessary wear of the parts which are in movable contact, the machine requires oiling, and when in continuous use, "TYPE B" or "TYPE D" OIL, sold by Singer Sewing Machine Company, should be applied at least twice each day to all oiling points.

"TYPE D" OIL should be used when an oil is desired which will produce a minimum of stain on fabrics, even after a long period of storage.

The small felt pads on the side of each bobbin case should be kept wet with oil to lubricate the hook races.

INDEX

| | Page |
|------------------------------|------|
| Accessories..... | 16 |
| Attachment Slide Plates..... | 18 |
| Bobbin Winder..... | 16 |
| Feed Dogs..... | 18 |
| Foot Lifter..... | 19 |
| Knee Lifter..... | 17 |
| Machine No. 112w146..... | 5 |
| Miscellaneous Parts..... | 20 |
| Needle Holders..... | 19 |
| Numerical List of Parts..... | 21 |
| Thread Unwinder..... | 18 |
| Throat Plates..... | 20 |

INSTRUCTIONS FOR ORDERING

5

In ordering from this list, use **ONLY** the **PART** number in the **FIRST** column.

The number stamped on a Sewing Machine Part is the number of the Single Part only, except when the part includes Set Screws, Clamping Screws, Studs and Rollers Spun on, Small Wires riveted, or Parts soldered together, etc., which it is necessary to furnish in combination.

Every combination of parts sent out has its specific number which, although not stamped on Parts (except in above case), must be used when ordering the combination.

Each number always indicates the **SAME PART** in whatever list it appears, or for whatever Machine.

The letters after some of the numbers indicate the style of finish only, as follows:

- A—Hardened, Polished, Nickel Plated and Buffed.
- AL—Heat Treated for Toughness.
- ALX—Heat Treated for Toughness and Black Oxide.
- B—Polished, Nickel Plated and Buffed.
- C—Hardened only.
- D—Polished only.
- E—Soft, Not polished.
- F—Hardened and Polished.
- J—Nickel Plated only.
- R—Phosphate Coating Formed on Surface of Iron or Steel.
- X—Black Oxide, for Iron and Steel.
- XC—Hardened and Black Oxide, for Iron and Steel.
- Y—Black Nickel Plated only.
- Z—Chromium Plated.

These letters **MUST BE USED** when they appear in the list and **AFTER** the number, as in the list.

In this series

1 to 1500, 200001 to 201500 and 350001 to 351500 are Screw Numbers.

1501 to 1800, 201501 to 201800 and 351501 to 351800 are Nut Numbers.

1801 to 2000, 201801 to 202000 and 351801 to 352000 are Roller Numbers.

2001 to 50000 and 202001 to 350000 are Numbers of Machine Parts.

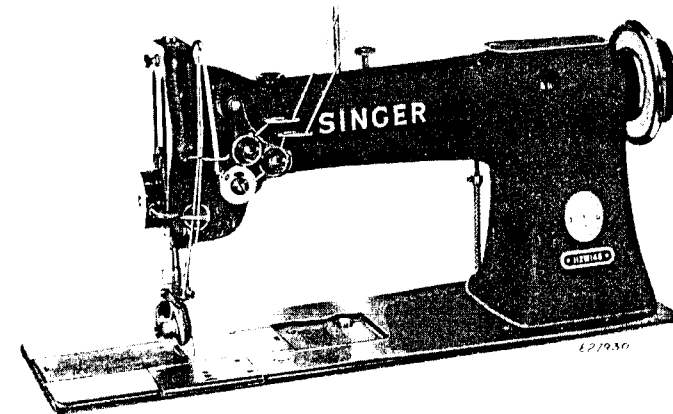
The figures in the second column refer only to the plate in which the illustration of the part is shown and are **NOT TO BE USED** in ordering.

Two or more numbers over a cut indicate that the difference between such parts is not visible in an illustration.

Parts marked with an asterisk (*) are furnished only when repairs are made at the factory.

LIST OF PARTS COMPLETE

FOR



MACHINE No. 112w146

TWO NEEDLE. HIGH SPEED.

BALL BEARING. DROP FEED.

SAFETY CLUTCH.

BALL BEARING ROLLER PRESSER.

FOR VAMPING, FOXING, SPACE STITCHING,
TIPPING, Etc.

IN GAUGES FROM 1/32 TO 1/4 INCH.

| No. | Plate | Name |
|---------|-------|-----------------------------------|
| *248501 | ---- | Arm with 202135 |
| 202247 | 17866 | Arm Cap |
| 200278X | 17866 | Arm Cap Screw |
| 202248 | 17866 | Arm Cap Screw Washer |
| 204235 | 17867 | Arm Position Pin (2) |
| 200004E | 17867 | Arm Screw (3) |
| 202005 | 17867 | Arm Screw Washer (3) |
| 248440 | 17866 | Arm Shaft with 224392 and 350431E |

| No. | Plate | Name |
|---------|-------|---|
| 249440 | 17866 | Arm Shaft Ball Bearing |
| *240054 | 17866 | Arm Shaft Ball Bearing Collar with two 200378C |
| 240055 | 17866 | Arm Shaft Ball Bearing Collar 240054 with 249440 |
| 200378C | 17866 | Arm Shaft Ball Bearing Collar Set Screw |
| *240056 | 17866 | Arm Shaft Ball Bearing Retaining Washer |
| 236699 | 17866 | Arm Shaft Bushing (back, ball bearing) complete, Nos. 236698, 240055 and 240056 |
| *236698 | 17866 | Arm Shaft Bushing (back) |
| 200071E | 17866 | Arm Shaft Bushing (back) Screw (3) |
| 263096 | 17866 | Arm Shaft Bushing (front) with 202423 |
| 202423 | 17866 | Arm Shaft Bushing (front) Oil Packing (wick) |
| 200502X | 17866 | Arm Shaft Bushing (front) Oil Packing Thumb Screw |
| 204329 | 17866 | Arm Shaft Bushing (front) Oil Pad |
| 200341C | 17866 | Arm Shaft Bushing (front) Set Screw |
| 224195 | 17867 | Arm Shaft Connection Belt (reinforced neoprene) |
| 248477 | 17867 | Arm Shaft Connection Belt Pulley with 200327C, 200358C, 200430C and two 202253 |
| 200430C | 17867 | Arm Shaft Connection Belt Pulley Position Screw |
| 200358C | 17867 | Arm Shaft Connection Belt Pulley Position Screw Check Screw |
| 200327C | 17867 | Arm Shaft Connection Belt Pulley Set Screw |
| 202253 | 17867 | Arm Shaft Connection Belt Pulley Spring Flange |
| 224139 | 17868 | Arm Shaft Connection Belt Timing Plate |
| 200164X | 17868 | Arm Shaft Connection Belt Timing Plate Screw (2) |
| 224392 | 17866 | Arm Shaft Oil Packing (wick) |
| 350431E | 17866 | Arm Shaft Oil Packing Stop Screw |
| 224144 | 17869 | Attachment Slide Plate with 213479 and 236061 |
| 236061 | 17869 | Attachment Slide Plate Friction Slide |
| 213479 | 17869 | Attachment Slide Plate Friction Slide Spring |
| 200386C | 17869 | Attachment Slide Plate Lock Screw |
| *248403 | ----- | Bed with 203376 |
| 54897 | 17814 | Bed Oil Cup (3) |
| 223852 | 17869 | Bed Slide (back) |
| 223811 | 17869 | Bed Slide (back) Stop |
| 223812 | 17869 | Bed Slide (back) Stop Spring |
| 223853 | 17869 | Bed Slide (front) for use with Throat Plates in gauges from 1/32 to 1/4 inch |
| 203470 | 17803 | Bobbin |
| *248459 | ----- | Bobbin Case (chromium plated) |
| 203648 | 17803 | Bobbin Case Latch |
| *202056 | ----- | Bobbin Case Latch Pin |
| 203473 | 17803 | Bobbin Case Latch Plunger |
| 203474 | 17803 | Bobbin Case Latch Spring |
| 241674 | 17803 | Bobbin Case Oiling Felt |
| 241675 | 17803 | Bobbin Case Oiling Felt Retainer |
| 350405C | 17803 | Bobbin Case Oiling Felt Retainer Screw |
| 248404 | 17804 | Bobbin Case Opener |

| No. | Plate | Name |
|---------|-------|---|
| 224005 | 17804 | Bobbin Case Opener Lever with 201349C, 201542C and 203101 |
| 201349C | 17804 | Bobbin Case Opener Lever Driving Screw Stud |
| 201542C | 17804 | Bobbin Case Opener Lever Driving Screw Stud Nut |
| 203101 | 17804 | Bobbin Case Opener Lever Driving Screw Stud Oil Packing (wick) |
| 265088 | 17804 | Bobbin Case Opener Lever Hinge Stud with 202277 |
| 202277 | 17804 | Bobbin Case Opener Lever Hinge Stud Oil Packing (wick) |
| 201246C | 17804 | Bobbin Case Opener Lever Hinge Stud Set Screw |
| 248405 | 17804 | Bobbin Case Opener Lever Link |
| 200118D | 17804 | Bobbin Case Opener Screw |
| 236083 | 17803 | Bobbin Case Tension Spring |
| 201016C | 17803 | Bobbin Case Tension Spring Regulating Screw |
| 200594C | 17803 | Bobbin Case Tension Spring Screw |
| 203216 | 17803 | Bobbin Case Washer (cloth) |
| 248460 | 17803 | Bobbin Case complete, Nos. 200594C, 201016C, 202056, 203216, 203473, 203474, 203648, 236083, 241674, 241675, 248459 and two 350405C |
| 241753 | 17869 | Face Plate with 201650X and 350432XC |
| 202135 | 17869 | Face Plate Position Pin |
| 200462X | 17869 | Face Plate Thumb Screw |
| 248406 | 17814 | Feed Bar with 200336E and 201535E |
| 248407 | 17814 | Feed Bar 248406 with 200040AL, 224052 and 225837 |
| 350393C | 17814 | Feed Bar Hinge Screw (driving) |
| 201518E | 17814 | Feed Bar Hinge Screw Nut |
| 212103 | 17874 | Feed Dog, for 236601 |
| 212117 | 17874 | Feed Dog, for 236612 |
| 212151 | 17874 | Feed Dog, for 236603 and 236604 |
| 212148 | 17874 | Feed Dog, for 236605 |
| 212154 | 17874 | Feed Dog, for 236607 |
| 211805 | 17874 | Feed Dog, for 236609 |
| 200106E | 17874 | Feed Dog Screw (2) |
| 200336E | 17814 | Feed Dog Support Screw |
| 201535E | 17814 | Feed Dog Support Screw Nut |
| 248409 | 17868 | Feed Driving Crank (eccentric end) with 248410 and 248411 |
| 248408 | 17814 | Feed Driving Crank (rock shaft end) with 200030X |
| 248410 | 17868 | Feed Driving Crank Oiling Felt |
| 248411 | 17868 | Feed Driving Crank Oiling Felt Staple |
| 248412 | 17814 | Feed Driving Crank Oil Leader (brass) |
| 200030X | 17814 | Feed Driving Crank Pinch Screw |
| 248413 | 17868 | Feed Driving Eccentric |
| 248414 | 17868 | Feed Driving Eccentric Adjusting Disc |
| 248415 | 17868 | Feed Driving Eccentric Adjusting Disc Spring |
| 248416 | 17868 | Feed Driving Eccentric Adjusting Disc Spring Collar with two 200382C |
| 200382C | 17868 | Feed Driving Eccentric Adjusting Disc Spring Collar Set Screw |

| No. | Plate | Name |
|----------|-------|---|
| 248417 | 17868 | Feed Driving Eccentric Friction Gib |
| 350578XC | 17868 | Feed Driving Eccentric Friction Gib Adjusting Screw |
| 350562XC | 17868 | Feed Driving Eccentric Friction Gib Adjusting Screw Set Screw |
| 248471 | 17868 | Feed Driving Eccentric Friction Gib Adjusting Screw Set Screw Packing (fibre) |
| 248476 | 17868 | Feed Driving Flange with 200382C, 201220C, two each 248471, 350562XC and 350578XC |
| 201220C | 17868 | Feed Driving Flange Position Screw |
| 200382C | 17868 | Feed Driving Flange Set Screw |
| 248502 | 17814 | Feed Driving Rock Shaft |
| 248503 | 17814 | Feed Driving Rock Shaft 248502 with 201518E, 248407 and 350393C |
| 248420 | 17814 | Feed Driving Rock Shaft Bushing (left) (split) |
| 200347AL | 17814 | Feed Driving Rock Shaft Bushing (left) Pinch Screw |
| 201007C | 17814 | Feed Driving Rock Shaft Bushing (left) Pinch Screw Set Screw |
| 244084 | 17814 | Feed Driving Rock Shaft Bushing (left) Pinch Screw Set Screw Packing (fibre) |
| 248421 | 17814 | Feed Driving Rock Shaft Bushing (right) (split) |
| 200327C | 17814 | Feed Driving Rock Shaft Bushing (right) Pinch Screw |
| 200347AL | 17814 | Feed Driving Rock Shaft Bushing (right) Pinch Screw Set Screw |
| 244084 | 17814 | Feed Driving Rock Shaft Bushing (right) Pinch Screw Set Screw Packing (fibre) |
| 202625 | 17814 | Feed Driving Rock Shaft Stop Collar with two 200383C (2) |
| 200383C | 17814 | Feed Driving Rock Shaft Stop Collar Set Screw |
| 248449 | 17867 | Feed Indicating Disc with 200958C |
| 200958C | 17867 | Feed Indicating Disc Set Screw |
| 224154 | 17868 | Feed Lifting Eccentric with 201220C |
| 224052 | 17814 | Feed Lifting Eccentric Fork with 200173D and 223655 |
| 200040AL | 17814 | Feed Lifting Eccentric Fork Screw |
| 225837 | 17814 | Feed Lifting Eccentric Fork Screw Washer |
| 223655 | 17814 | Feed Lifting Eccentric Oiling Felt |
| 200173D | 17814 | Feed Lifting Eccentric Oiling Felt Screw |
| 201220C | 17868 | Feed Lifting Eccentric Set Screw |
| 248422 | 17868 | Feed Regulating Stud |
| 248423 | 17868 | Feed Regulating Stud Cotter Pin |
| 248424 | 17868 | Feed Regulating Stud Socket |
| 248425 | 17868 | Feed Regulating Stud Spring |
| 248447 | 17868 | Feed Regulating Stud complete, Nos. 248422 to 248425 |
| *248444 | 17803 | Hook (sewing) |
| 248445 | 17803 | Hook 248444 with 203525, 224025, two each 200590X and 201253F |

| No. | Plate | Name |
|---------|-------|--|
| 248463 | 17803 | Hook and Bobbin Case complete, Nos. 248445 and 248460 |
| 249365 | 17804 | Hook Ball Bearing |
| 350394E | 17804 | Hook Ball Bearing Adjusting Screw |
| 200403C | 17804 | Hook Ball Bearing Adjusting Screw Set Screw |
| 204479 | 17804 | Hook Ball Bearing Adjusting Screw Set Screw Packing (brass) |
| 248430 | 17804 | Hook Ball Bearing Washer (felt) |
| 248429 | 17804 | Hook Ball Bearing Washer (steel) |
| 223867 | 17868 | Hook Driving Gear (spiral) with 200362C and 201222C (2) |
| 201222C | 17868 | Hook Driving Gear Position Screw |
| 200362C | 17868 | Hook Driving Gear Set Screw |
| 248431 | 17804 | Hook Driving Pinion (spiral) with two 200382C |
| 200382C | 17804 | Hook Driving Pinion Set Screw |
| 248432 | 17868 | Hook Driving Shaft |
| 249440 | 17868 | Hook Driving Shaft Ball Bearing |
| *236695 | 17868 | Hook Driving Shaft Ball Bearing Collar with 200378C and 201220C |
| 236696 | 17868 | Hook Driving Shaft Ball Bearing Collar 236695 with 249440 |
| 201220C | 17868 | Hook Driving Shaft Ball Bearing Collar Position Screw |
| 200378C | 17868 | Hook Driving Shaft Ball Bearing Collar Set Screw |
| 240561 | 17868 | Hook Driving Shaft Ball Bearing Re- taining Washer |
| 200134F | 17868 | Hook Driving Shaft Ball Bearing Re- taining Washer Screw |
| 240562 | 17868 | Hook Driving Shaft Bushing (back) with three 200134F |
| 236697 | 17868 | Hook Driving Shaft Bushing (back, ball bearing) complete, Nos. 236696, 240561 and 240562 |
| 200335C | 17868 | Hook Driving Shaft Bushing (back) Set Screw |
| 224112 | 17868 | Hook Driving Shaft Connection Belt Pulley with 202253 and two 201254C |
| 201254C | 17868 | Hook Driving Shaft Connection Belt Pulley Set Screw |
| 202253 | 17868 | Hook Driving Shaft Connection Belt Pulley Spring Flange |
| 203525 | 17803 | Hook Gib |
| 201253F | 17803 | Hook Gib Screw |
| 248433 | 17805 | Hook Saddle (left) with 200009E and 201246C |
| 248434 | 17804 | Hook Saddle (right) with 200009E and 201246C |
| 223680 | 17868 | Hook Saddle Bearing (left) |
| 200327C | 17868 | Hook Saddle Bearing (left) Set Screw |
| 223681 | 17868 | Hook Saddle Bearing (right) |
| 200335C | 17868 | Hook Saddle Bearing (right) Set Screw |
| 248435 | 17804 | Hook Saddle Oil Pad (felt) |
| 200009E | 17804 | Hook Saddle Pinch Screw |
| 200006E | 17804 | Hook Saddle Screw (2) |
| 225585 | 17804 | Hook Saddle Screw Washer (2) |

| No. | Plate | Name |
|----------|-------|---|
| 248438 | 17805 | Hook Saddle (left) complete, Nos. 200118D, 200403C, 204479, 224005, 248404, 248405, 248430, 248431, 248433, 248463, 265088, 350394E, two each 248429, 249365 and four 248435 |
| 248439 | 17804 | Hook Saddle (right) complete, Nos. 200118D, 200403C, 204479, 224005, 248404, 248405, 248430, 248431, 248434, 248463, 265088, 350394E, two each 248429, 249365 and four 248435 |
| 224025 | 17803 | Hook Washer |
| 200590X | 17803 | Hook Washer Screw |
| 240067 | 17869 | Knee Lifter Connection Lever |
| 200262X | 17869 | Knee Lifter Connection Lever Hinge Screw |
| 240564 | 17869 | Knee Lifter Connection Lever Lifting Rod |
| 206628 | 17869 | Knee Lifter Connection Lever Lifting Rod Spring |
| 227227 | 17869 | Knee Lifter Connection Lever Lifting Rod Spring Collar with 200113F |
| 200113F | 17869 | Knee Lifter Connection Lever Lifting Rod Spring Collar Set Screw |
| 240068 | 17869 | Knee Lifter Lifting Lever |
| 200262X | 17869 | Knee Lifter Lifting Lever Hinge Screw |
| 248474 | 17866 | Machine Pulley (disc) (aluminum alloy casting) "V" belt groove (outside diam. of belt groove 2.9 in.) with 350540C and 350541C |
| 350419X | 17866 | Machine Pulley Adjusting Screw |
| 350540C | 17866 | Machine Pulley Position Screw |
| 350541C | 17866 | Machine Pulley Set Screw |
| 223686 | 17870 | Needle Bar |
| 235871 | 17870 | Needle Bar Bushing (lower) |
| 235872 | 17870 | Needle Bar Bushing (upper) |
| 200352AL | 17870 | Needle Bar Bushing Set Screw (2) |
| 202552 | 17870 | Needle Bar Connecting Link |
| 264718 | 17870 | Needle Bar Connecting Link Oil Guard |
| 201183D | 17870 | Needle Bar Connecting Link Oil Guard Screw |
| 202333 | 17870 | Needle Bar Connecting Link Stud with 202299 |
| 202299 | 17870 | Needle Bar Connecting Link Stud Oil Packing (wick) |
| 200374AL | 17870 | Needle Bar Connecting Link Stud Set Screw |
| 200383C | 17870 | Needle Bar Connecting Link Stud Set Screw |
| 264714 | 17870 | Needle Bar Connecting Stud with 200072C and 202330 |
| 202330 | 17870 | Needle Bar Connecting Stud Oil Packing (wick) |
| 200072C | 17870 | Needle Bar Connecting Stud Pinch Screw |
| 202692 | 17870 | Needle Bar Crank with 200335C, 200374AL, 200383C, 200428C and 202333 |
| 248448 | 17870 | Needle Bar Crank 202692 with 202399, 202400, 202552, 223881 and 264714 |
| 203172 | 17870 | Needle Bar Crank Friction Washer |

| No. | Plate | Name |
|----------|-------|---|
| 200428C | 17870 | Needle Bar Crank Position Screw |
| 200335C | 17870 | Needle Bar Crank Set Screw |
| 236650 | 17872 | Needle Holder, needles 3/32 in. apart and must be set diagonally, in gauges 1/32, 3/64 and 1/16 in., with 201030AL and two 200141F |
| 236648 | 17872 | Needle Holder, in gauges from 3/32 to 1/4 in., in steps of 1/32 in., with 201030AL and two 200141F |
| 201030AL | 17872 | Needle Holder Screw |
| 200141F | 17872 | Needle Set Screw |
| 207072 | 17870 | Presser Bar Bushing (2) |
| 200352AL | 17870 | Presser Bar Bushing Set Screw (2) |
| 202554 | 17870 | Presser Bar Lifter |
| 200653C | 17870 | Presser Bar Lifter Hinge Screw |
| 244004 | 17870 | Presser Bar Lifting Releasing Lever Bracket |
| 200260D | 17870 | Presser Bar Lifting Releasing Lever Bracket Guide Screw |
| 206608 | 17870 | Presser Bar Lifting Releasing Lever Bracket Spring |
| 235901 | 17870 | Presser Bar Position Guide with 200054E |
| 200054E | 17870 | Presser Bar Position Guide Pinch Screw |
| 207965 | 17869 | Presser Bar Spring (flat) |
| 210949 | 17870 | Presser Bar Spring Bracket with 200086C |
| 200086C | 17870 | Presser Bar Spring Bracket Pinch Screw |
| 201410F | 17869 | Presser Bar Spring Regulating Thumb Screw |
| 200948F | 17869 | Presser Bar Spring Support Screw |
| 201931 | 17873 | Roller Presser, 1-1/4 in. diam., 1/8 in. face (fine) with 1528J, 1766C, 50553C and twenty-four 16232 |
| 203426 | 17873 | Roller Presser Arm |
| 203430 | 17873 | Roller Presser Arm 203426 with 201931 |
| 235087 | 17873 | Roller Presser Arm Bracket |
| 235088 | 17873 | Roller Presser Arm Bracket Position Collar with 200362C |
| 200117F | 17873 | Roller Presser Arm Bracket Position Collar Position Screw |
| 200362C | 17873 | Roller Presser Arm Bracket Position Collar Set Screw |
| 202558 | 17873 | Roller Presser Arm Bracket Spring |
| 229370 | 17873 | Roller Presser Arm Bracket Spring Stop and (back) Needle Guard Holder |
| 229371 | 17873 | Roller Presser Arm Bracket Spring Stop and (back) Needle Guard Holder 229370 with 200350X, 201317F and 226220 |
| 200350X | 17873 | Roller Presser Arm Bracket Spring Stop and (back) Needle Guard Holder Adjusting Screw |
| 200141F | 17873 | Roller Presser Arm Bracket Spring Stop and (back) Needle Guard Holder Set Screw |

| No. | Plate | Name |
|---------|-------|--|
| 200096D | 17873 | Roller Presser Arm Screw, for gauges 1/32, 3/64 and 1/16 inch |
| 200082D | 17873 | Roller Presser Arm Screw, for gauges 3/32 and 1/8 inch |
| 200077D | 17873 | Roller Presser Arm Screw, for gauges 5/32, 3/16 and 7/32 inch |
| 200064D | 17873 | Roller Presser Arm Screw, for 1/4 in. gauge |
| 236645 | 17873 | Roller Presser Arm Shim, .024 in. thick |
| 202760 | 17873 | Roller Presser Arm Shim, 1/16 in. thick |
| 229744 | 17873 | Roller Presser Arm Shim, 1/64 in. thick |
| 229745 | 17873 | Roller Presser Arm Shim, 1/32 in. thick |
| 16232 | 17873 | Roller Presser Ball, 3/32 in. diameter |
| 1766C | 17873 | Roller Presser Ball Cone |
| 204495 | 17873 | Roller Presser Bar |
| 50553C | 17873 | Roller Presser Hinge Screw |
| 1528J | 17873 | Roller Presser Hinge Screw Nut |
| 229328 | 17873 | Roller Presser Needle Guard (back) for gauges 1/32, 3/64 and 1/16 inch |
| 235074 | 17873 | Roller Presser Needle Guard (back) in 3/32 in. gauge, for No. 9 needle |
| 229330 | 17873 | Roller Presser Needle Guard (back) in 3/32 in. gauge, for No. 13 needle |
| 235075 | 17873 | Roller Presser Needle Guard (back) in 1/8 in. gauge, for No. 9 needle |
| 229331 | 17873 | Roller Presser Needle Guard (back) in 1/8 in. gauge, for No. 13 needle |
| 235076 | 17873 | Roller Presser Needle Guard (back) in 5/32 in. gauge, for No. 9 needle |
| 229332 | 17873 | Roller Presser Needle Guard (back) in 5/32 in. gauge, for No. 13 needle |
| 229347 | 17873 | Roller Presser Needle Guard (back) in 3/16 in. gauge, with 350061F |
| 229334 | 17873 | Roller Presser Needle Guard (back) in 7/32 in. gauge, with 350061F |
| 229335 | 17873 | Roller Presser Needle Guard (back) in 1/4 in. gauge, with 350061F |
| 201317F | 17873 | Roller Presser Needle Guard (back) Clamp Screw |
| 226220 | 17873 | Roller Presser Needle Guard (back) Clamp Screw Washer |
| 350061F | 17873 | Roller Presser Needle Guard (back) Screw |
| 229325 | 17873 | Roller Presser Needle Guard (front) in gauges 1/32, 3/64 and 1/16 inch |
| 201071F | 17873 | Roller Presser Needle Guard (front) Screw |
| 236658 | 17873 | Roller Presser and Bar complete, in 1/32 in. gauge, Nos. 200096D, 200117F, 201071F, 202558, 203430, 204495, 229325, 229328, 229371, 229744, 235087, 235088 and two 200141F |
| 236659 | 17873 | Roller Presser and Bar complete, in 3/64 in. gauge, Nos. 200096D, 200117F, 201071F, 202558, 203430, 204495, 229325, 229328, 229371, 235087, 235088, 236645 and two 200141F |

| No. | Plate | Name |
|---------|-------|--|
| 236660 | 17873 | Roller Presser and Bar complete, in 1/16 in. gauge, Nos. 200096D, 200117F, 201071F, 202558, 203430, 204495, 229325, 229328, 229371, 229745, 235087, 235088 and two 200141F |
| 236661 | 17873 | Roller Presser and Bar complete, in 3/32 in. gauge, Nos. 200082D, 200117F, 202558, 203430, 204495, 229330, 229371, 229744, 229745, 235087, 235088 and two 200141F |
| 236662 | 17873 | Roller Presser and Bar complete, in 1/8 in. gauge, Nos. 200082D, 200117F, 202558, 202760, 203430, 204495, 229331, 229371, 235087, 235088 and two 200141F |
| 236663 | 17873 | Roller Presser and Bar complete, in 5/32 in. gauge, Nos. 200077D, 200117F, 202558, 202760, 203430, 204495, 229332, 229371, 229744, 235087, 235088 and two 200141F |
| 236664 | 17873 | Roller Presser and Bar complete, in 3/16 in. gauge, Nos. 200077D, 200117F, 202558, 202760, 203430, 204495, 229347, 229371, 229745, 235087, 235088 and two 200141F |
| 236665 | 17873 | Roller Presser and Bar complete, in 7/32 in. gauge, Nos. 200077D, 200117F, 202558, 202760, 203430, 204495, 229334, 229371, 229744, 229745, 235087, 235088 and two 200141F |
| 236666 | 17873 | Roller Presser and Bar complete, in 1/4 in. gauge, Nos. 200064D, 200117F, 202558, 203430, 204495, 229335, 229371, 235087, 235088, two each 200141F and 202760 |
| 223881 | 17870 | Take-up Lever |
| 202399 | 17870 | Take-up Lever Driving Stud with 202277 |
| 202277 | 17870 | Take-up Lever Driving Stud Oil Packing (wick) |
| 202400 | 17870 | Take-up Lever Hinge Stud with 202423 |
| 202423 | 17870 | Take-up Lever Hinge Stud Oil Packing (wick) |
| 200383C | 17870 | Take-up Lever Hinge Stud Set Screw |
| 202401 | 17870 | Take-up Lever Oiling Felt |
| 200132E | 17870 | Take-up Lever Oiling Felt Screw |
| 263090 | 17870 | Take-up Lever Oiling Wick |
| 248504 | 17870 | Take-up Lever Oiling Wick 263090 with 248505 |
| 200109E | 17870 | Take-up Lever Oiling Wick Screw |
| 201535E | 17870 | Take-up Lever Oiling Wick Screw Nut |
| *248505 | 17870 | Take-up Lever Oiling Wick Wire |
| 223702 | 17871 | Tension Bracket with two each 201224X and 236060 |
| 200159F | 17871 | Tension Bracket Screw |

| No. | Plate | Name |
|-----------|-------|--|
| 248217 | 17871 | Tension Bracket complete, Nos. 200978X, 201199F, 223702, 223703, 223706, 237174, two each 200309E, 204271, 223438, 223704, three 201572X and four 244048 |
| 244048 | 17871 | Tension Disc |
| 236060 | 17871 | Tension Disc Position Pin |
| 223703 | 17871 | Tension Release Lever |
| 235072 | 17870 | Tension Release Lever Rod |
| 200309E | 17871 | Tension Release Lever Screw |
| 223704 | 17871 | Tension Release Plunger |
| 204271 | 17871 | Tension Release Washer |
| 223438 | 17871 | Tension Spring |
| 201224X | 17871 | Tension Stud |
| 201572X | 17871 | Tension Thumb Nut |
| 223706 | 17871 | Thread Controller Disc |
| 200978X | 17871 | Thread Controller Disc Screw |
| 237174 | 17871 | Thread Controller Spring |
| 241360 | 17871 | Thread Controller Spring Stop |
| 200132E | 17871 | Thread Controller Spring Stop Screw |
| 201199F | 17871 | Thread Controller Stud with 204925 |
| 200061ALX | 17871 | Thread Controller Stud Set Screw |
| 201572X | 17871 | Thread Controller Stud Thumb Nut |
| 204925 | 17871 | Thread Controller Stud Washer |
| 224028 | 17866 | Thread Guide |
| 202741 | 17871 | Thread Guide (upper) |
| 200397X | 17871 | Thread Guide (upper) Set Screw |
| 241755 | 17869 | Thread Lubricator Oil Pad (felt) |
| 241756 | 17869 | Thread Lubricator Oil Pad Holder |
| 240439 | 17869 | Thread Lubricator Oil Pad Retainer |
| 241758 | 17869 | Thread Lubricator Oil Reservoir |
| 241759 | 17869 | Thread Lubricator Oil Wick |
| 350432XC | 17869 | Thread Lubricator Screw |
| 201650X | 17869 | Thread Lubricator Screw Nut |
| 214838 | 17869 | Thread Lubricator Screw Washer |
| 241760 | 17869 | Thread Lubricator complete, Nos. 214838, 240439, 241755, 241756, 241758 and 241759 |
| 240034 | 17871 | Thread Retainer (2) |
| 200366X | 17871 | Thread Retainer Set Screw (2) |
| 236601 | 17874 | Throat Plate, 50 needle hole, needles 3/32 in apart, for needle sizes 14 and 15, in gauges 1/32, 3/64 and 1/16 in., for 212103 |
| 236612 | 17874 | Throat Plate, 50 needle hole, for needle sizes 14 and 15, in 3/32 in. gauge, for 212117 |
| 236603 | 17874 | Throat Plate, 53 needle hole, for needle sizes 12 and 13, in 1/8 in. gauge, for 212151 |
| 236604 | 17874 | Throat Plate, 50 needle hole, for needle sizes 14 and 15, in 5/32 in. gauge, for 212151 |
| 236605 | 17874 | Throat Plate, 50 needle hole, for needle sizes 14 and 15, in 3/16 in. gauge, for 212148 |

| No. | Plate | Name |
|---------|-------|---|
| 236607 | 17874 | Throat Plate, 50 needle hole, for needle sizes 14 and 15, in 7/32 in. gauge, for 212154 |
| 236609 | 17874 | Throat Plate, 50 needle hole, for needle sizes 14 and 15, in 1/4 in. gauge, for 211805 |
| 200161D | 17874 | Throat Plate Clamp Screw |
| 203376 | 17874 | Throat Plate Position Pin |
| 691F | 17874 | Throat Plate Screw |

**SINGER Needles should be used
in SINGER Machines
These Needles and their Containers
are marked with the
Company's Trademark "SIMANCO" 1**

**Needles in Containers marked
"FOR SINGER MACHINES"
are NOT SINGER made needles 2**

ACCESSORIES

| No. | Plate | Name |
|---------|-------|---|
| 200157E | 17869 | Attachment Screw |
| 202258 | 17875 | Bed Hinge Connection (2) |
| 200570E | 17875 | Bed Hinge Connection Screw (4) |
| 203470 | 17803 | Bobbin (4) |
| 224121 | 16644 | Drip Pan, 20 in. long, with four 3/4 in. wire nails |
| 41400 | 17875 | Machine Rest Pin (wood) |
| 135x6 | ---- | Needles, twelve, size 12 |
| 120342 | 17875 | Oiler (copper plated) with 120343 |
| 120343 | 17875 | Oiler Spout, 3-1/2 in. long |
| 228476 | 17875 | Screw Driver (Bobbin Case) |
| 225498 | 17875 | Screw Driver (7-1/4 in. long) |
| 225554 | 17875 | Wrench |
| 4822 | 17875 | Wrench |
| 240566 | 17875 | Wrench (1/16 in. Hex) |

BOBBIN WINDER

(SWINGING AUTOMATIC, RIGHT HAND)

FOR "V" BELT DRIVE

| | | |
|---------|-------|-----------------------------------|
| 259428 | 17853 | Brake (leather) |
| 259429 | 17853 | Brake Clamp |
| 200113F | 17853 | Brake Clamp Screw |
| 225453 | 17853 | Frame with 202277 and 259660 |
| 225454 | 17853 | Frame Hinge Pin |
| 202277 | 17853 | Frame Oil Packing (wick) |
| 259660 | 17853 | Frame Oil Well Washer |
| 225455 | 17853 | Frame Spring |
| 225456 | 17853 | Frame Spring Plunger |
| 259461 | 17853 | Pulley with 200380C |
| 200380C | 17853 | Pulley Set Screw |
| 225381 | 17853 | Spindle |
| 225444 | 17853 | Stop Latch |
| 200056E | 17853 | Stop Latch Screw |
| 225458 | 17853 | Stop Latch Thumb Lever |
| 225459 | 17853 | Stop Latch Thumb Lever Hinge Stud |
| 225459 | 17853 | Stop Latch Thumb Lever Joint Stud |
| 202478 | 17853 | Stop Latch Trip Lever |
| 200299X | 17853 | Stop Latch Trip Lever Hinge Screw |
| 225461 | 17853 | Tension Bracket with 201499X |
| 200082D | 17853 | Tension Bracket Screw |

| No. | Plate | Name |
|---------|-------|--|
| 228026 | 17853 | Tension Bracket Screw Washer |
| 2102 | 17853 | Tension Disc |
| 13710 | 17853 | Tension Spring |
| 201499X | 17853 | Tension Stud |
| 201572X | 17853 | Tension Stud Thumb Nut |
| 225462 | 17853 | Bobbin Winder Tension Bracket complete, Nos. 13710, 201572X, 225461 and two 2102 |
| 259462 | 17853 | Bobbin Winder and Tension Bracket Base |
| 259462 | 17853 | Universal Bobbin Winder complete, Nos. 200056E, 200082D, 200113F, 200299X, 202478, 225381, 225444, 225453 to 225456, 225458, 225462, 228026, 259428, 259429, 259461, 259662, two each 225459 and wood screws 3/4 in., No. 12, R. H. B. |

Note: Bobbin Winder 259462 is furnished with this machine unless Bobbin Winder 259431 is specified on order.

KNEE LIFTER

| | | |
|----------|-------|---|
| 228713 | 18580 | Rock Lever with two 350231C |
| 228707 | 18580 | Rock Lever Bracket with 200347AL and three wood screws 7/8 in., No. 12 |
| 228709 | 18580 | Rock Lever Bracket 228707 with 228363, 228367, 228386, 228455 and 228713 |
| 228370 | 18580 | Rock Lever Extension with 200530C |
| 350231C | 18580 | Rock Lever Extension Set Screw |
| 228363 | 18580 | Rock Lever Hinge Pin |
| 228364 | 18580 | Rock Lever Knee Plate with 350231C |
| 228388 | 18580 | Rock Lever Knee Plate Arm |
| 350231C | 18580 | Rock Lever Knee Plate Arm Set Screw |
| 350231C | 18580 | Rock Lever Knee Plate Set Screw |
| 228455 | 18580 | Rock Lever Position Spring |
| 228365 | 18580 | Rock Lever Rod |
| 200530C | 18580 | Rock Lever Rod Set Screw |
| 228386 | 18580 | Rock Lever Spring |
| 228367 | 18580 | Rock Lever Stop Stud |
| 200347AL | 18580 | Rock Lever Stop Stud Set Screw |
| 228710 | 18580 | Knee Lifter Rock Lever complete, Nos. 228364, 228365, 228370, 228388 and 228709 |

(Other Knee Lifter parts are listed with parts of Machine Head.)

THREAD UNWINDER FOR THREE SPOOLS

| No. | Plate | Name |
|---------|-------|---|
| 228764 | 18104 | Spool Pin |
| 228765 | 18104 | Spool Rest (for one spool) (flat) with 201254C |
| 228766 | 18104 | Spool Rest (for two spools) (flat) with 201254C |
| 150203 | 18104 | Spool Rest Cushion (felt) |
| 228767 | 18104 | Spool Rest Rod |
| 201254C | 18104 | Spool Rest Set Screw |
| 228768 | 18104 | Spool Stand |
| 228769 | 18104 | Thread Guide |
| 228771 | 18104 | Thread Guide Holder (for three guides) |
| 228774 | 18104 | Thread Guide Rod |
| 228777 | 18104 | Thread Unwinder (for three spools) complete, Nos. 228765 to 228768, 228771, 228774, three each 150203, 228764, 228769 and wood screws 7/8 in., No. 12 |

ATTACHMENT SLIDE PLATES

| | | |
|--------|-------|---|
| 224144 | 17869 | Attachment Slide Plate with 213479 and 236061 |
| 224146 | 17869 | Attachment Slide Plate with 213479 and 236061, for use with depressed Throat Plates |

FEED DOGS

| | | |
|--------|-------|---------------------------------|
| 211805 | 17874 | Feed Dog, for 236609 |
| 212103 | 17874 | Feed Dog, for 236601 and 236608 |
| 212104 | 17874 | Feed Dog, for 236601 and 236608 |
| 212117 | 17874 | Feed Dog, for 236612 |
| 212148 | 17874 | Feed Dog, for 236605 |
| 212154 | 17874 | Feed Dog, for 236607 |
| 212151 | 17874 | Feed Dog, for 236603 and 236604 |

FOOT LIFTER

PARTS REQUIRED FOR CHANGING FROM KNEE LIFTER TO FOOT LIFTER

| No. | Plate | Name |
|---------|-------|---|
| 223733 | 17869 | Foot Lifter Lifting Lever Extension |
| 200082D | 17869 | Foot Lifter Lifting Lever Extension Screw |
| 221145 | 17869 | Foot Lifter Lifting Lever Spring |
| 200835D | 17869 | Foot Lifter Lifting Lever Spring Stop Screw |

FOOT LIFTER

| | | |
|--------|-------|--|
| 227952 | 16862 | Foot Lifter Lever with 227954 |
| 227678 | 16862 | Foot Lifter Lever Chain, 48 in. long, with 202784 |
| 227954 | 16862 | Foot Lifter Lever Chain Hook (lower) |
| 202784 | 16862 | Foot Lifter Lever Chain Hook (upper) |
| 225016 | 16862 | Foot Lifter Lever Hinge Pin |
| 227939 | 16862 | Foot Lifter Lever Stand with two wood screws 1 in., No. 12 |
| 227955 | 16862 | Foot Lifter Lever complete, Nos. 225016, 227678, 227939 and 227952 |

NEEDLE HOLDERS

| | | |
|--------|-------|---|
| 236648 | 17872 | Needle Holder, in gauges from 3/32 to 1/4 in., in steps of 1/32 in., with 201030AL and two 200141F |
| 236649 | 17872 | Needle Holder, needles 1/8 in. apart and must be set diagonally, in gauges 1/32, 3/64, 1/16 and 3/32 in., with 201030AL and two 200141F |
| 236650 | 17872 | Needle Holder, needles 3/32 in. apart and must be set diagonally, in gauges 1/32, 3/64 and 1/16 in., with 201030AL and two 200141F |

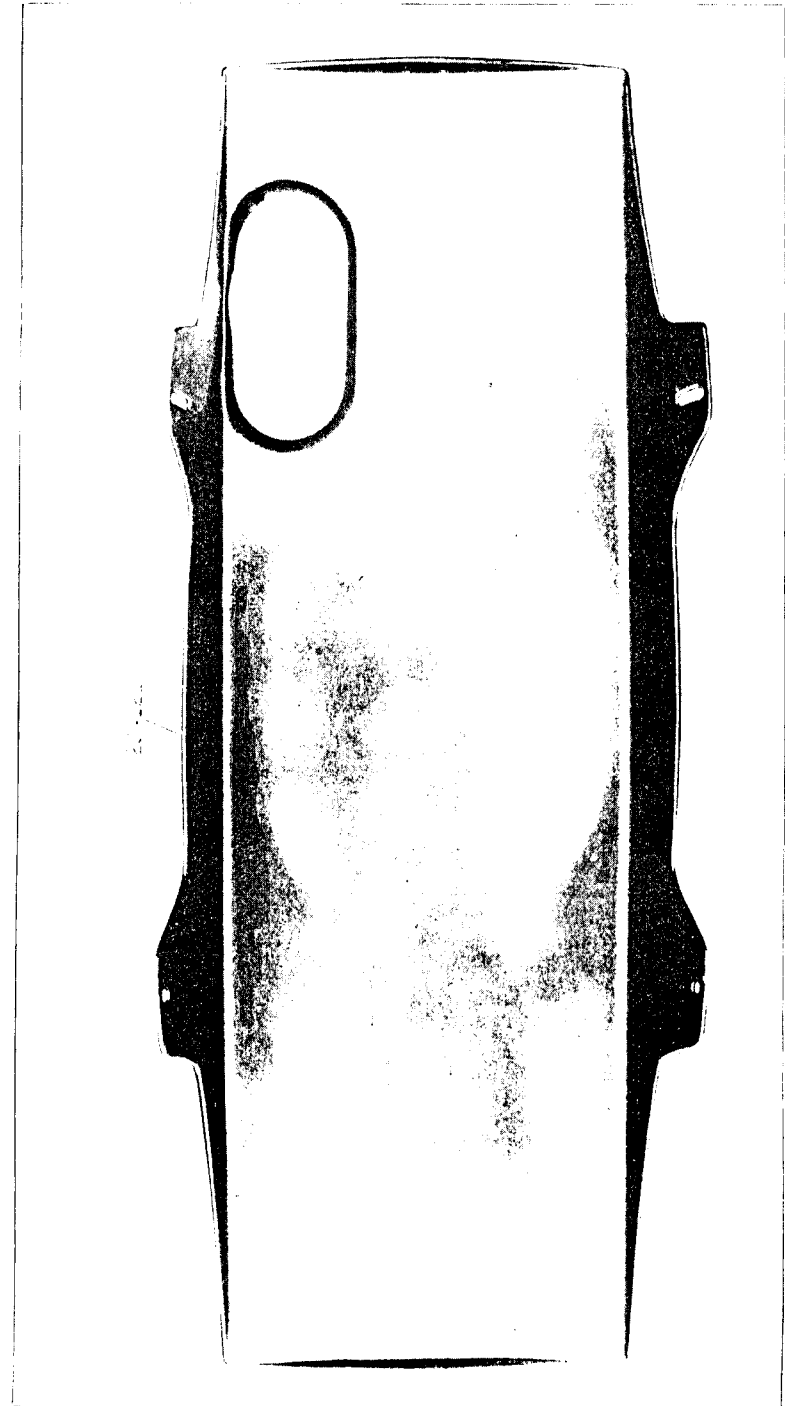
THROAT PLATES

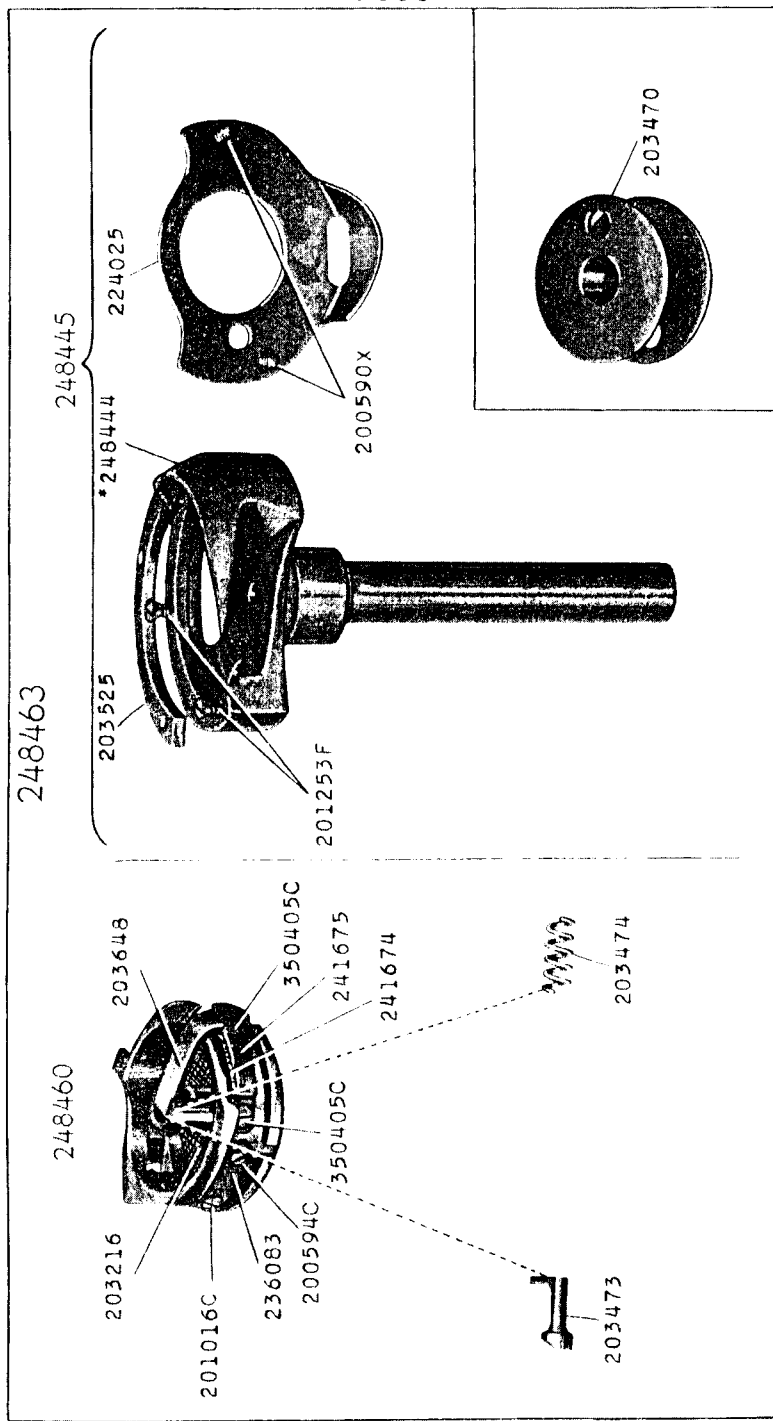
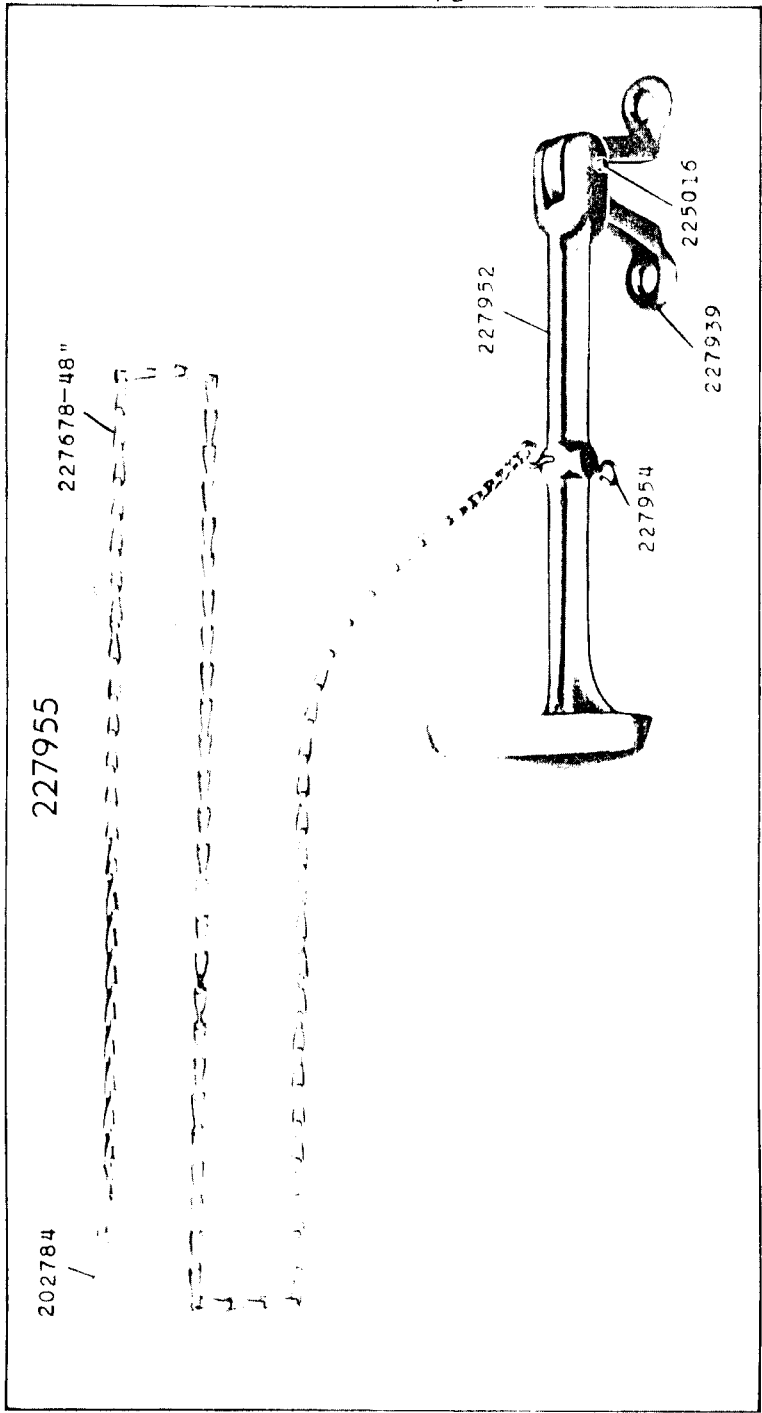
| No. | Plate | Name |
|--------|-------|---|
| 236601 | 17874 | Throat Plate, 50 needle hole, needles 3/32 in. apart, for needle sizes 14 and 15, in gauges 1/32, 3/64 and 1/16 in., for 212103 and 212104 |
| 236608 | 17874 | Throat Plate, 50 needle hole, needles 1/8 in. apart, for needle sizes 14 and 15, in gauges 1/32, 3/64, 1/16, 5/64 and 3/32 in., for 212103 and 212104 |
| 236612 | 17874 | Throat Plate, 50 needle hole, for needle sizes 14 and 15, in 3/32 in. gauge, for 212117 |
| 236603 | 17874 | Throat Plate, 53 needle hole, for needle sizes 12 and 13, in 1/8 in. gauge, for 212151 |
| 236604 | 17874 | Throat Plate, 50 needle hole, for needle sizes 14 and 15, in 5/32 in. gauge, for 212151 |
| 236605 | 17874 | Throat Plate, 50 needle hole, for needle sizes 14 and 15, in 3/16 in. gauge, for 212148 |
| 236607 | 17874 | Throat Plate, 50 needle hole, for needle sizes 14 and 15, in 7/32 in. gauge, for 212154 |
| 236609 | 17874 | Throat Plate, 50 needle hole, for needle sizes 14 and 15, in 1/4 in. gauge, for 211805 |

MISCELLANEOUS PARTS

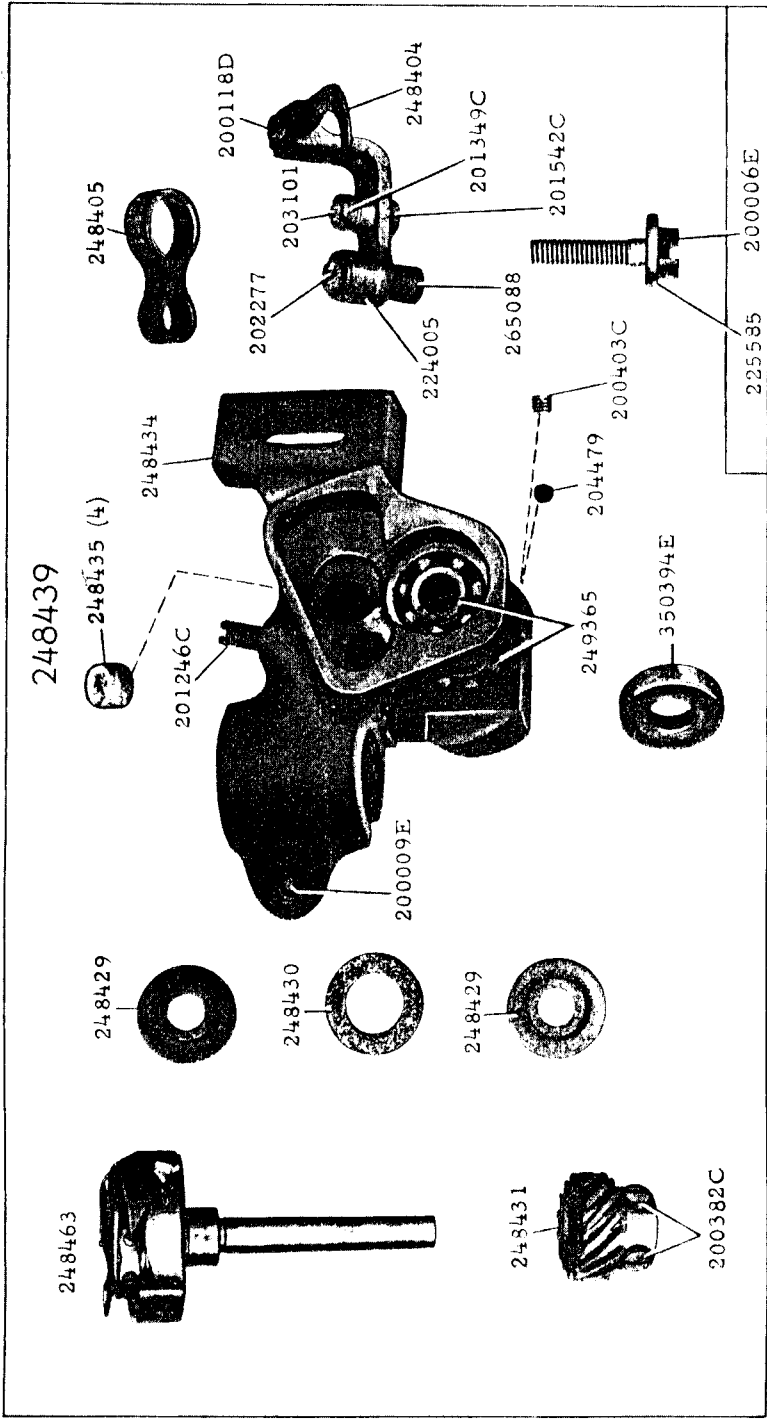
USED IN CONJUNCTION WITH THREAD UNWINDER

| | | |
|--------|-------|-------------------------|
| 60913 | 18104 | Spool Weight with 60914 |
| 60914 | 18104 | Spool Weight Center Pin |
| 27739 | 18104 | Thread Cone (wood) |
| 225390 | 18104 | Thread Cone Holder |

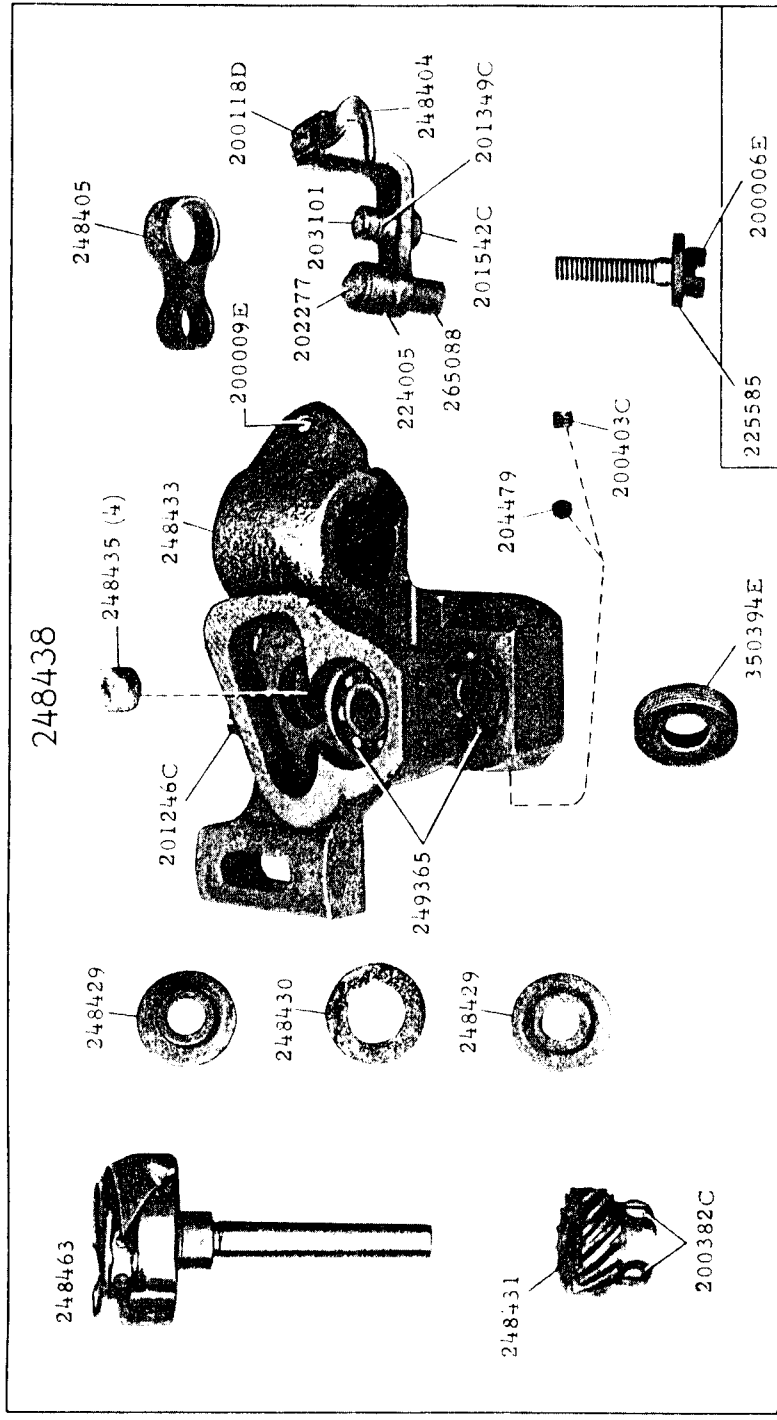




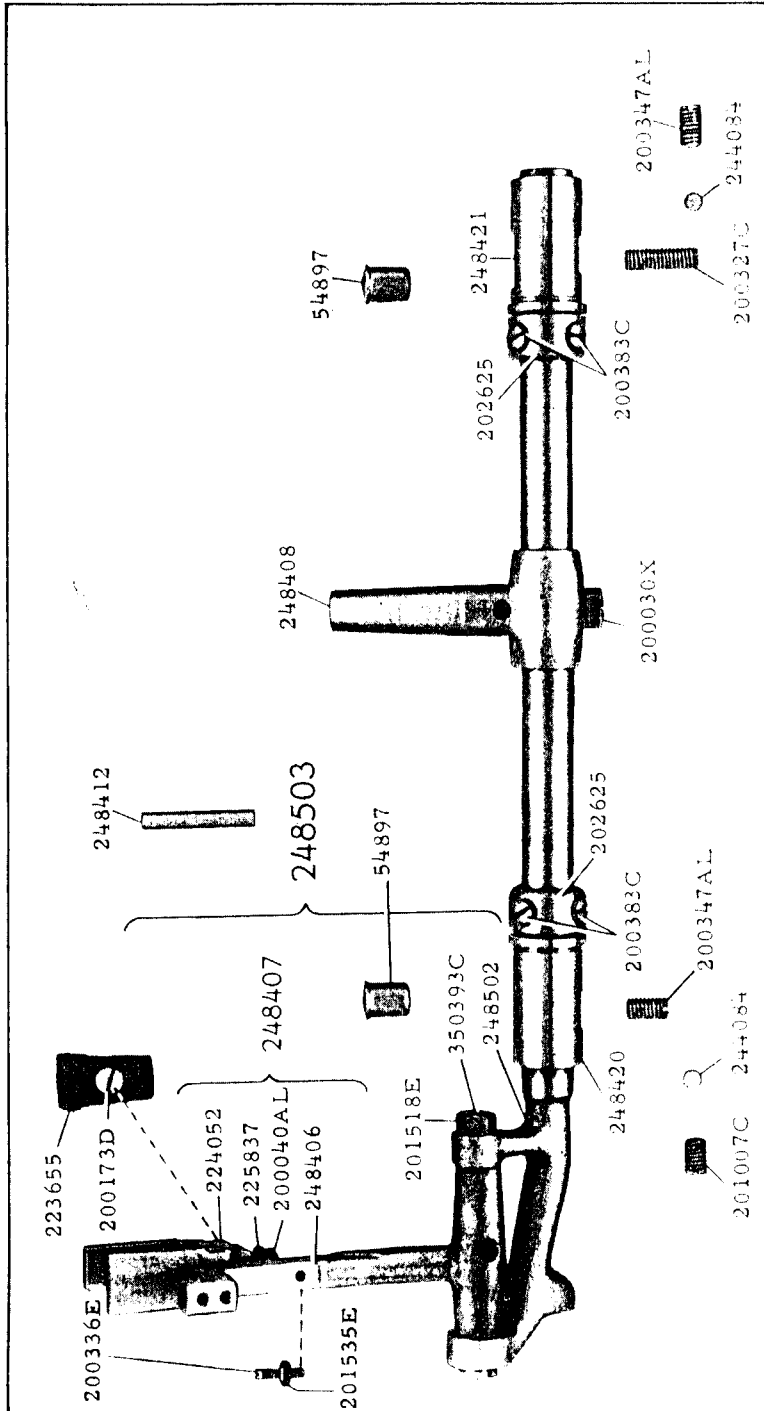
17804 - 5/8



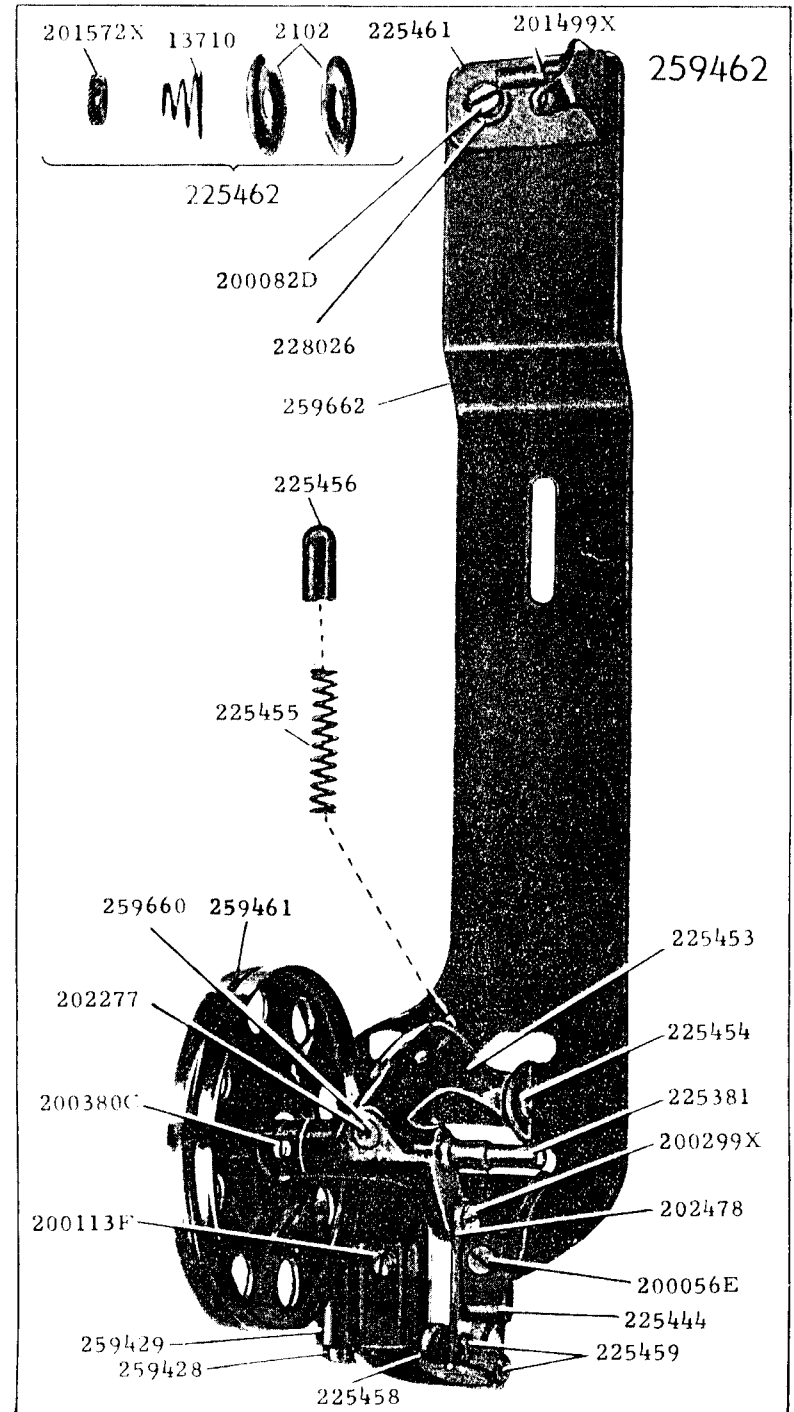
17805 - 5/8



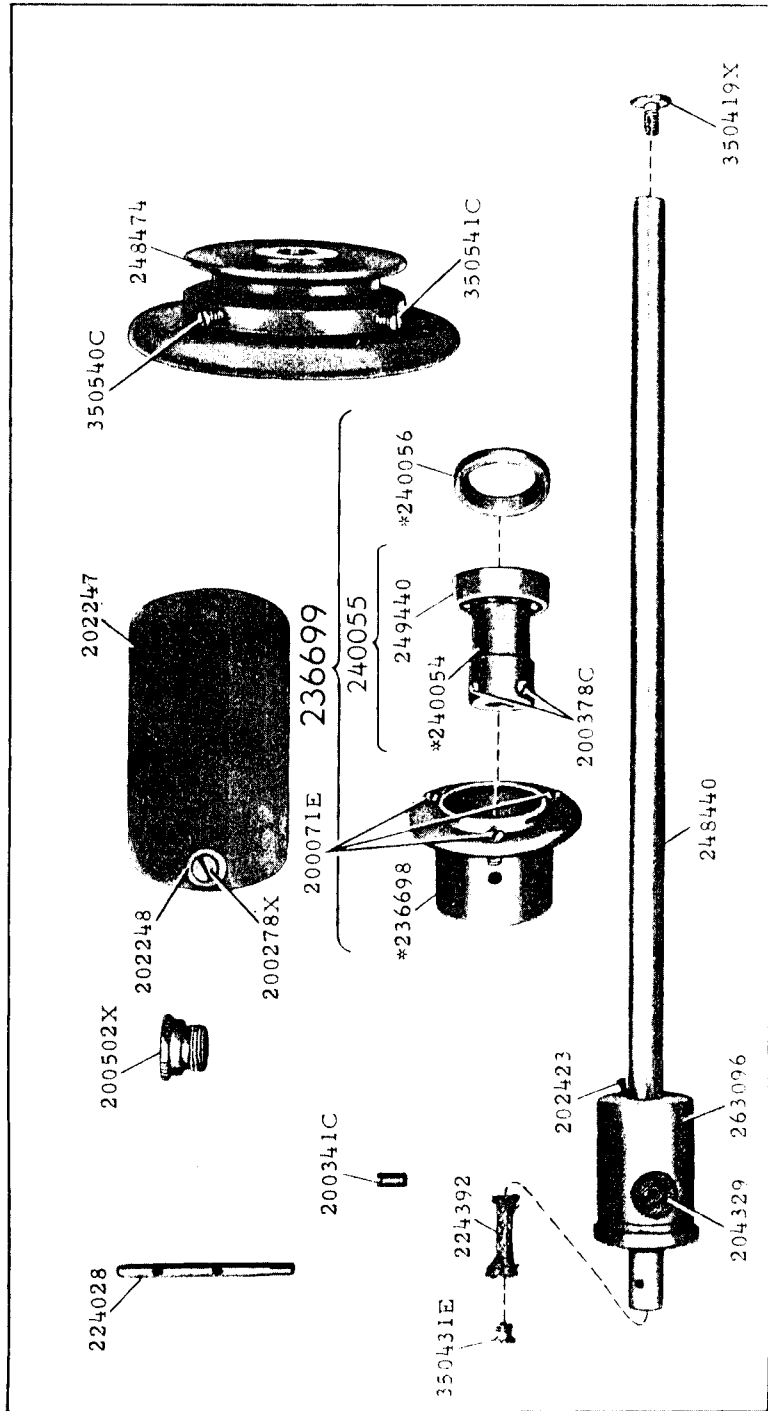
17814 - 1/2



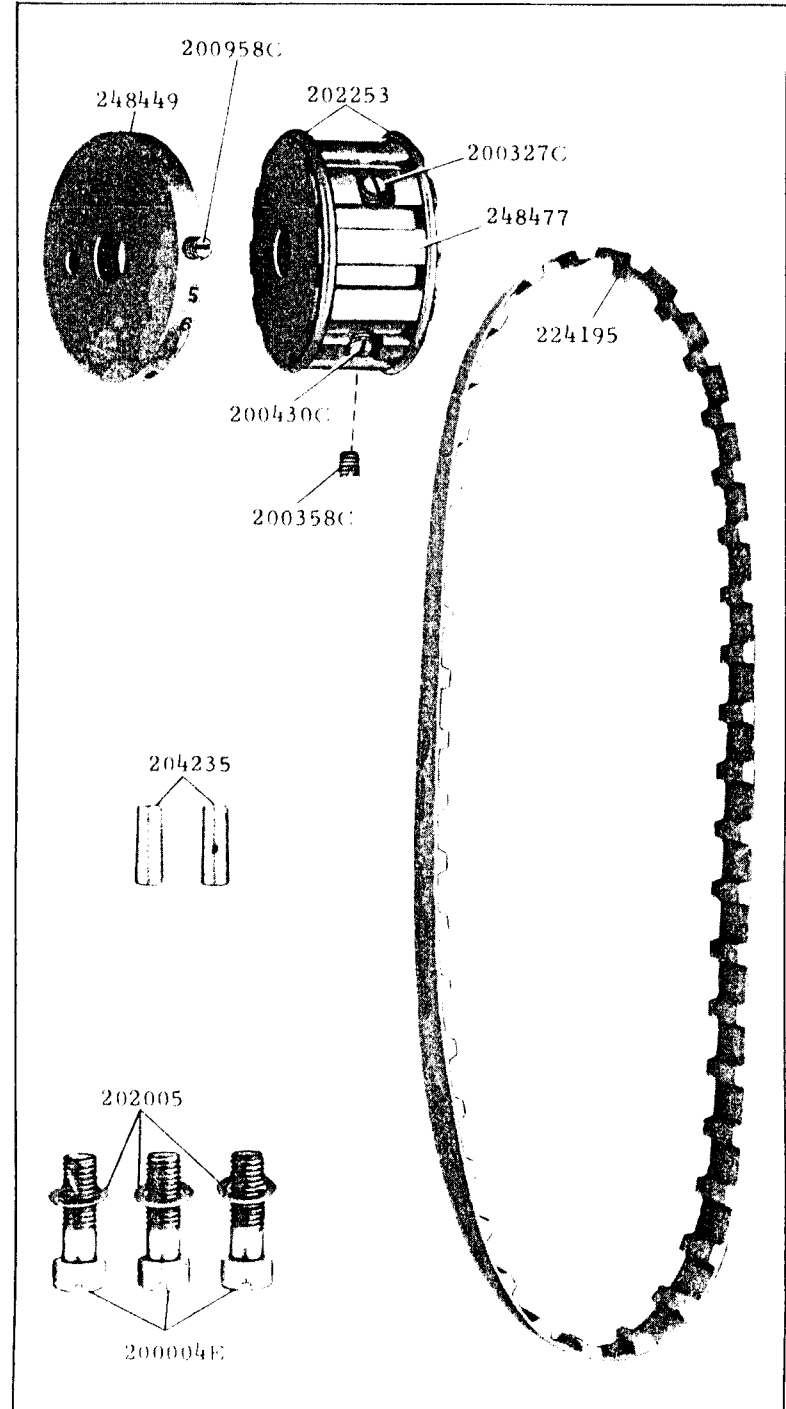
17853 - 1/2



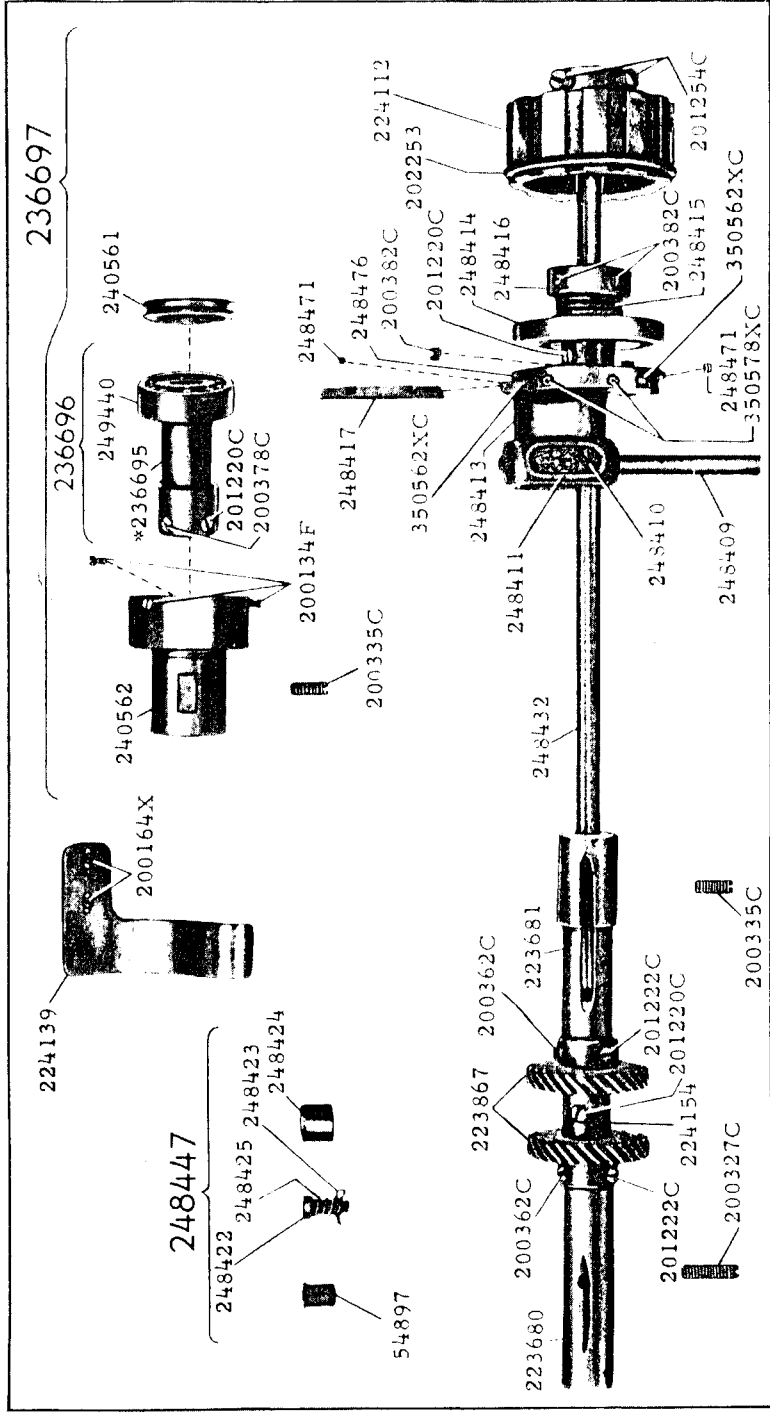
17866 - 3/8



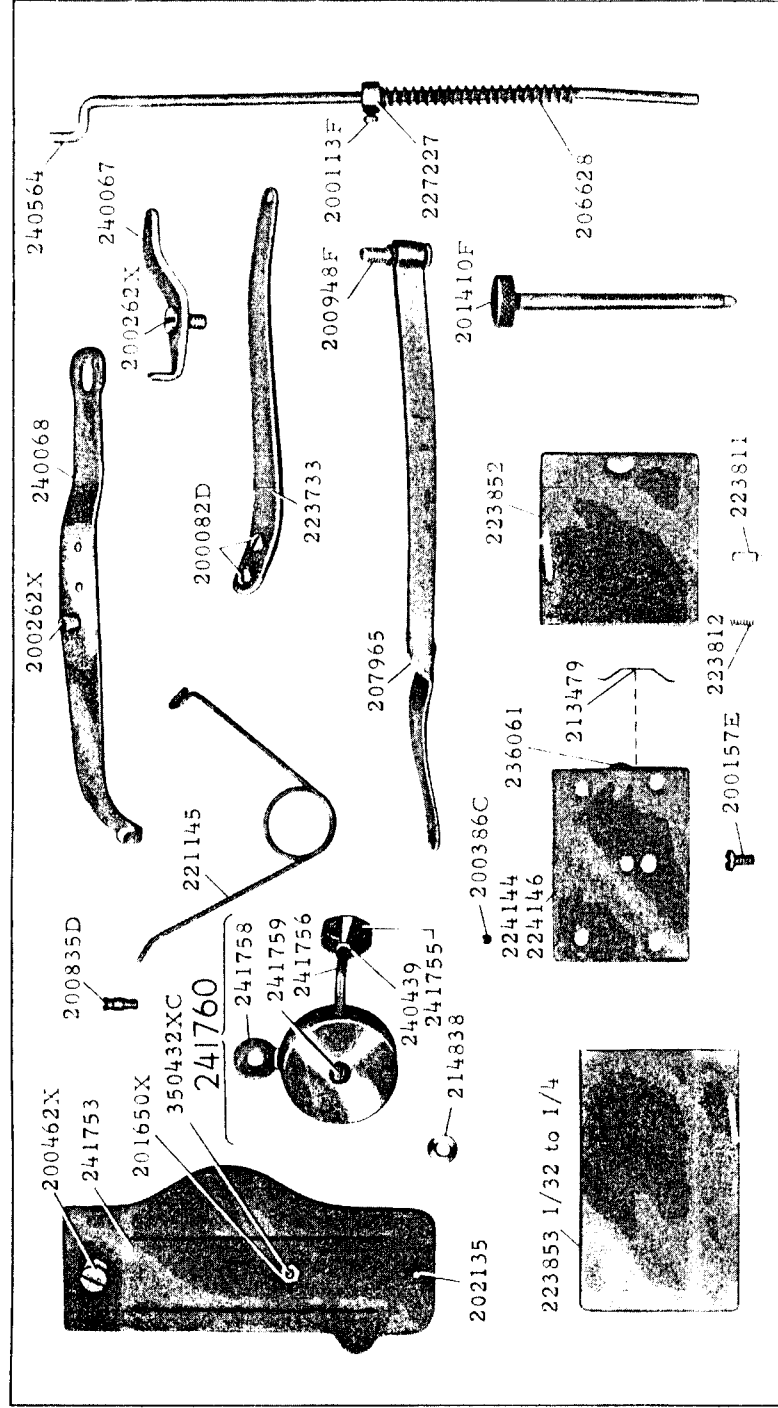
17867 - 1/2



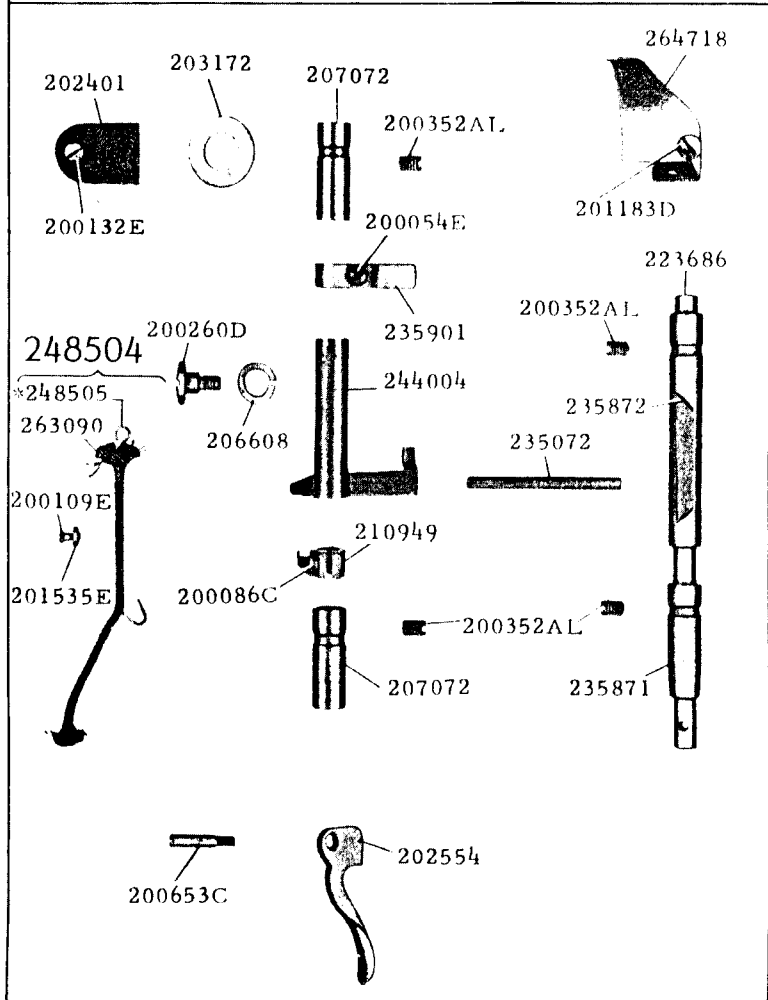
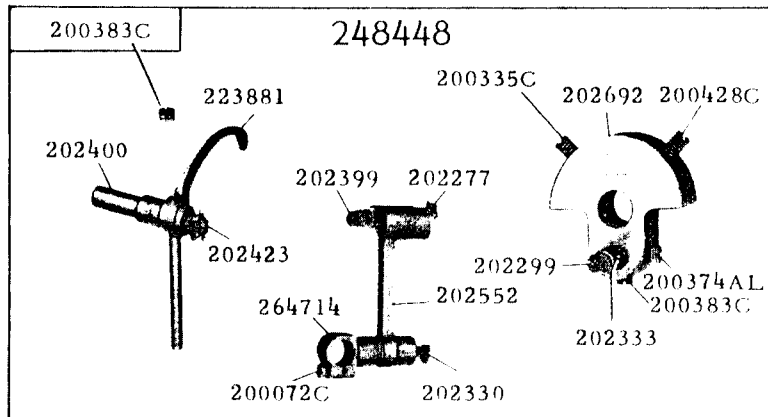
17868 - 3/8



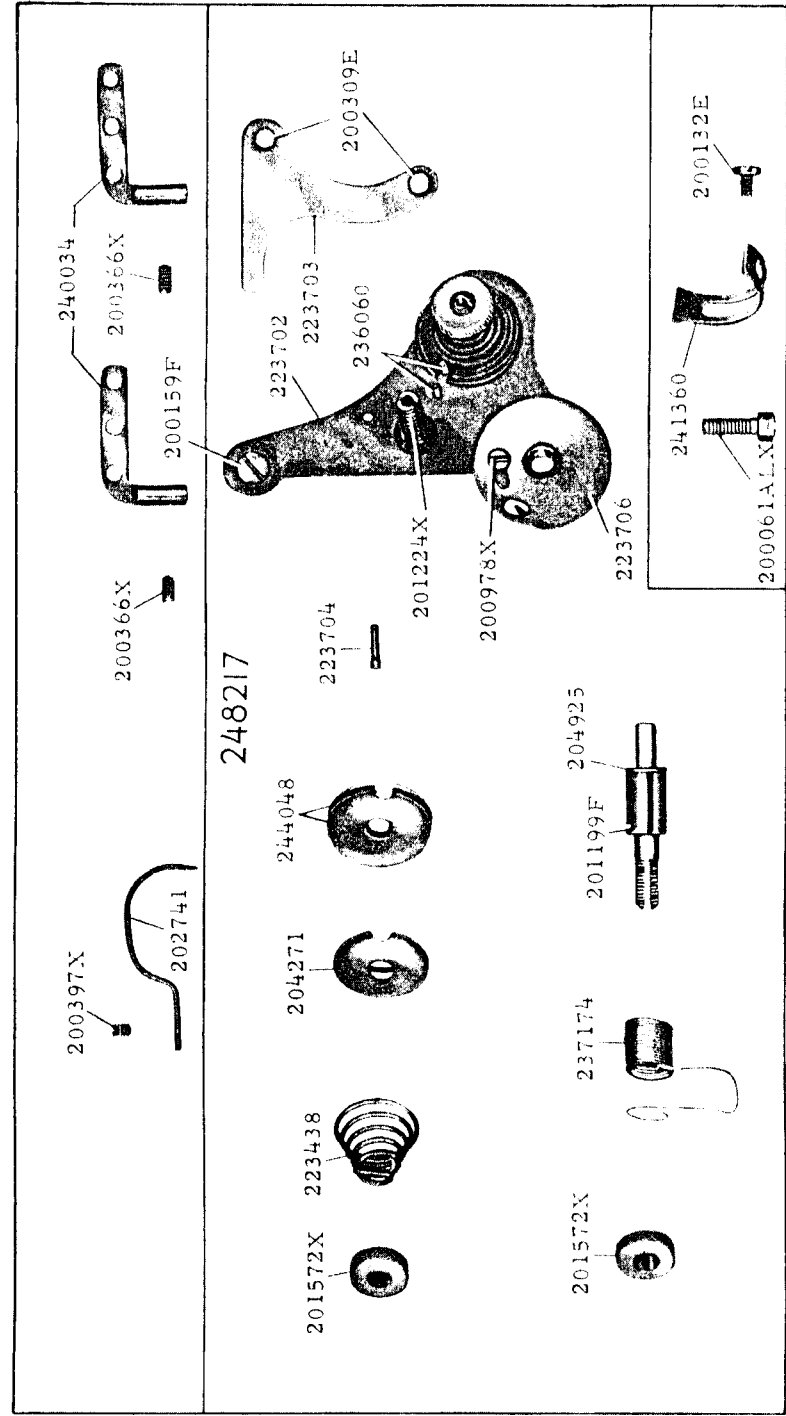
17869 - 1/3



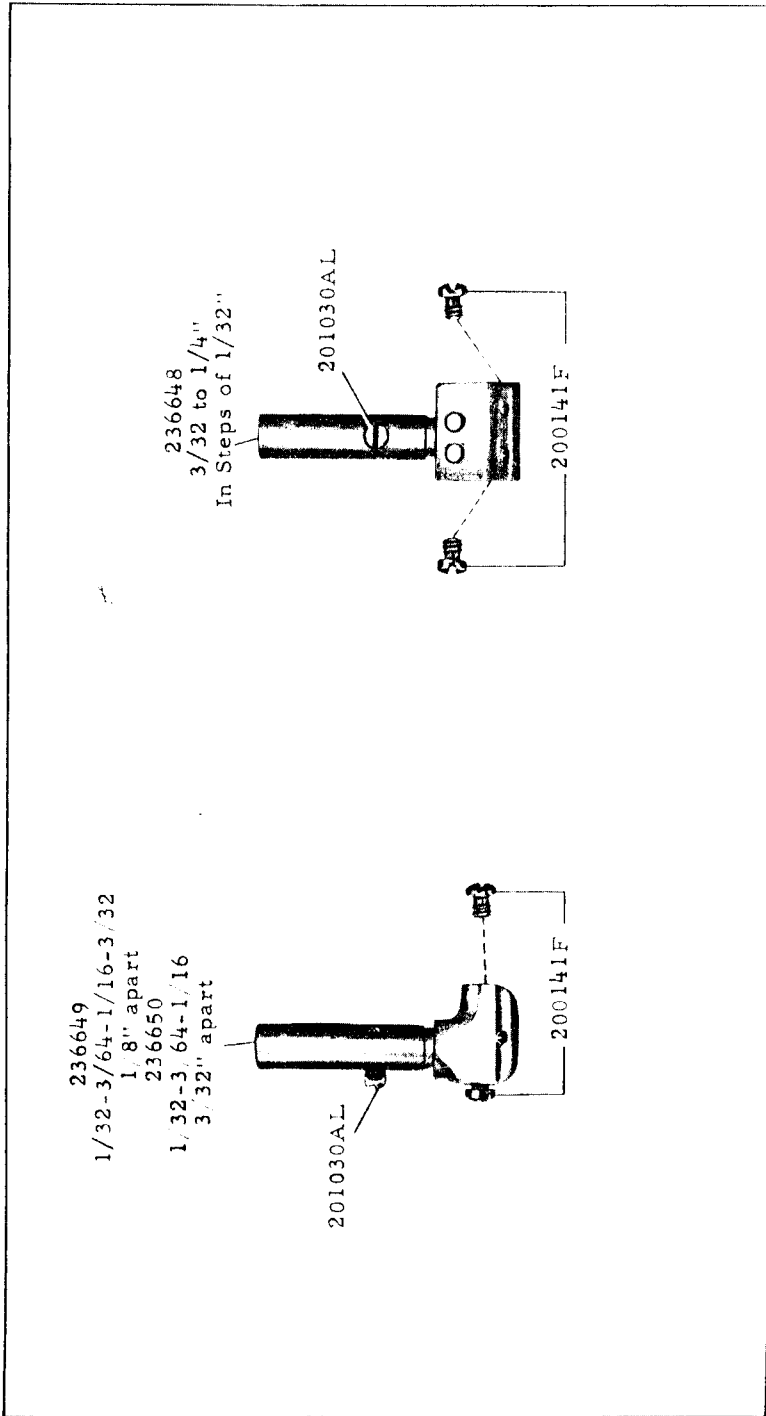
17870 - 3/8



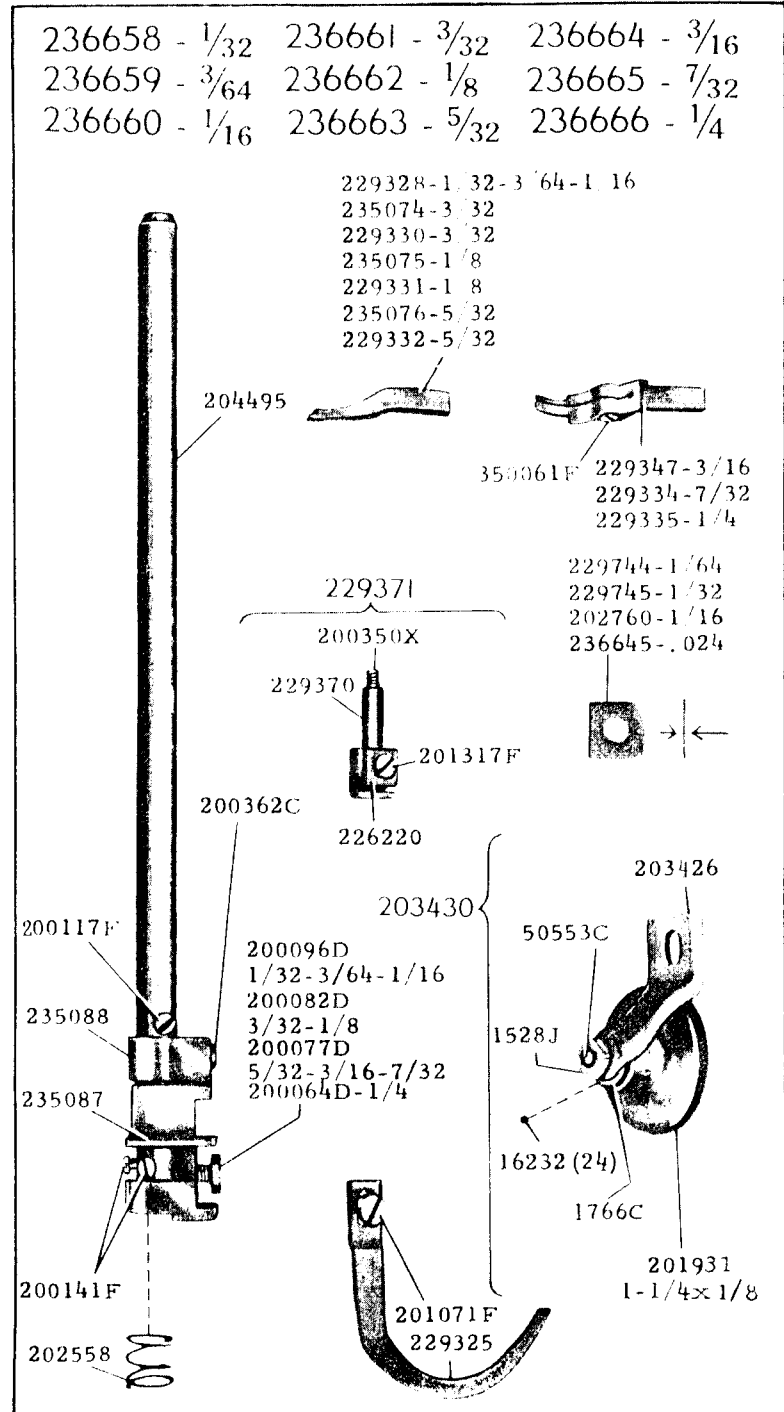
17871 - 5/8



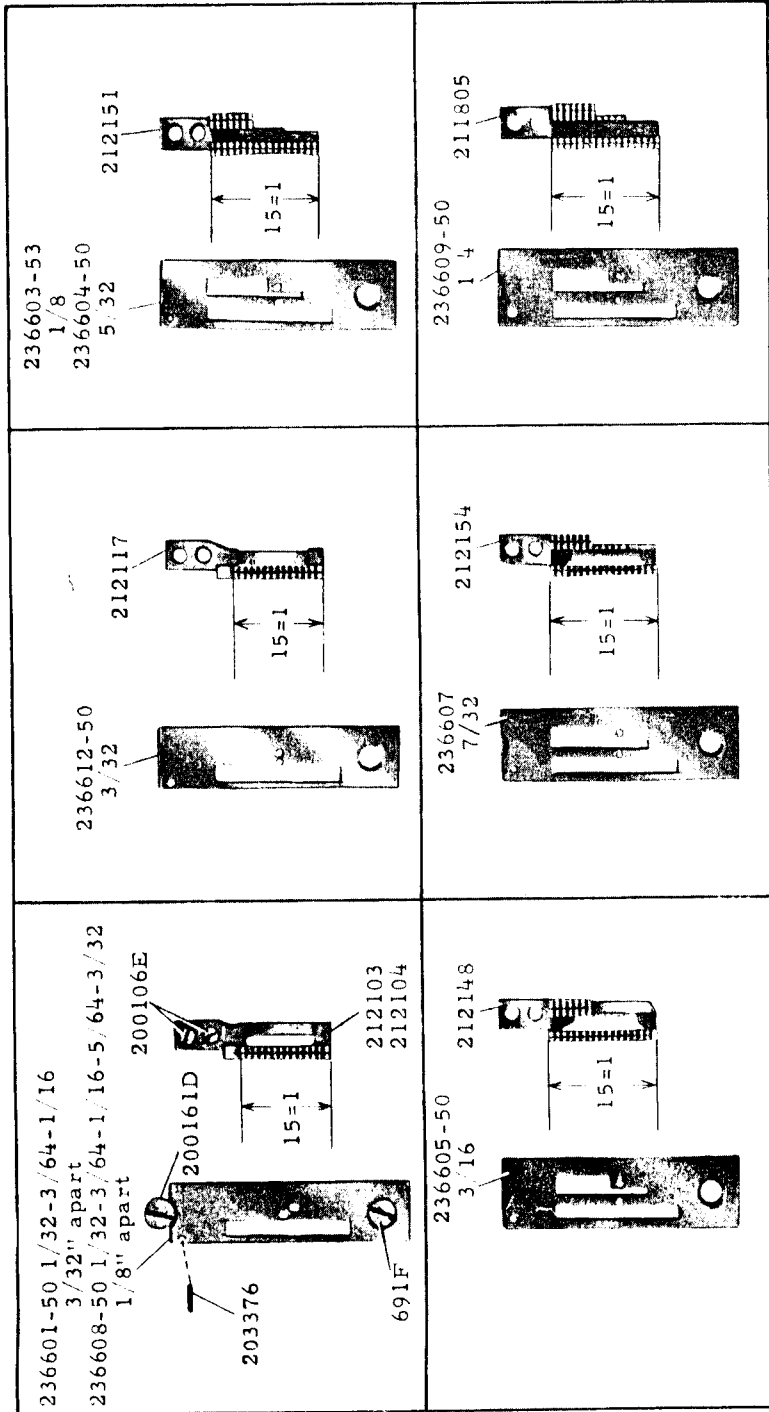
17872



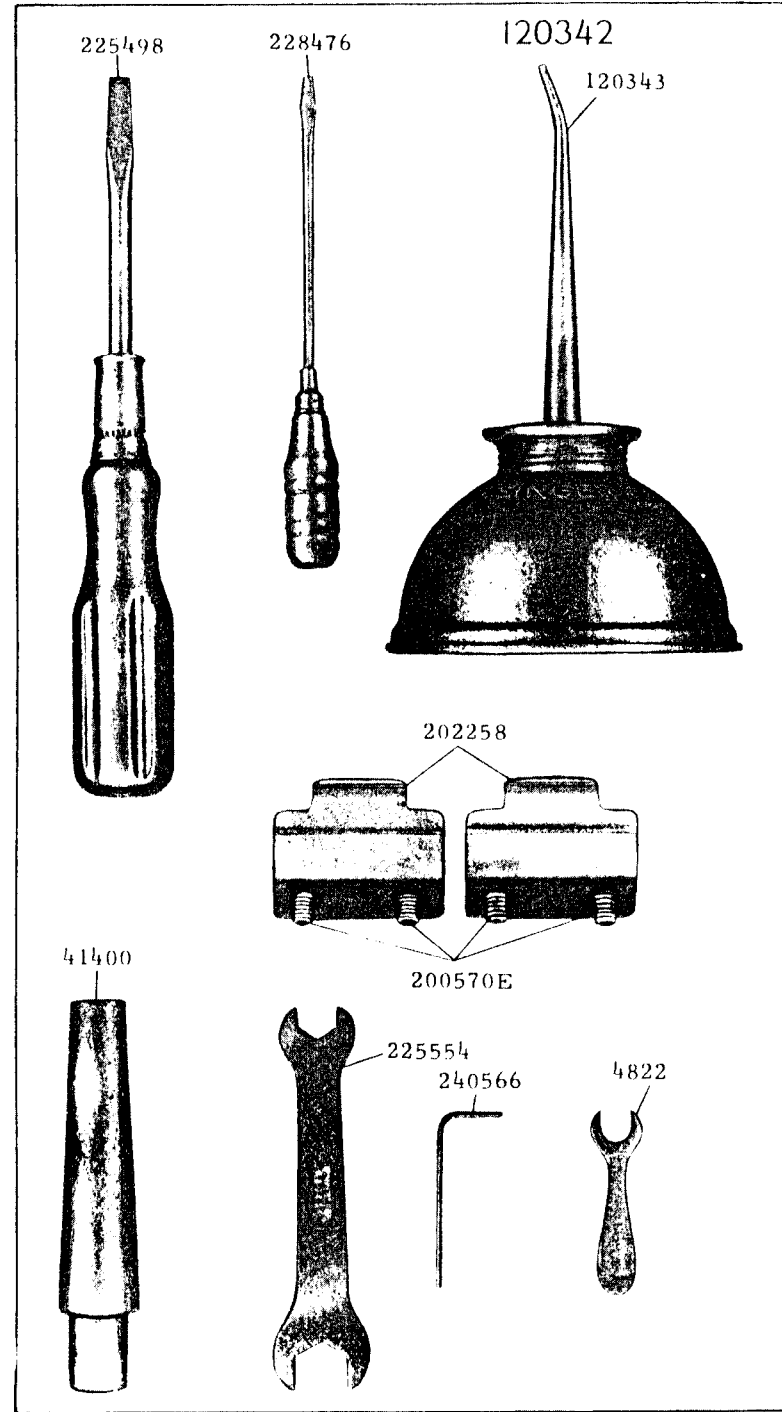
17873 - 5/8



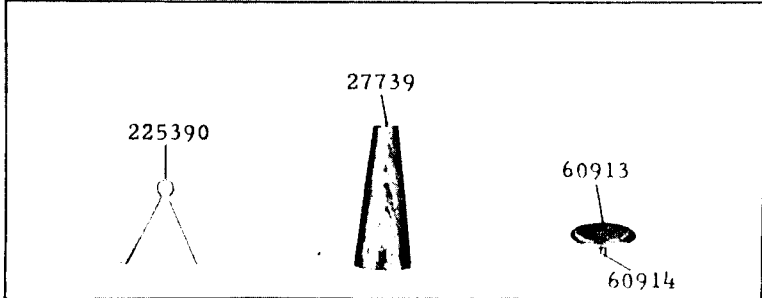
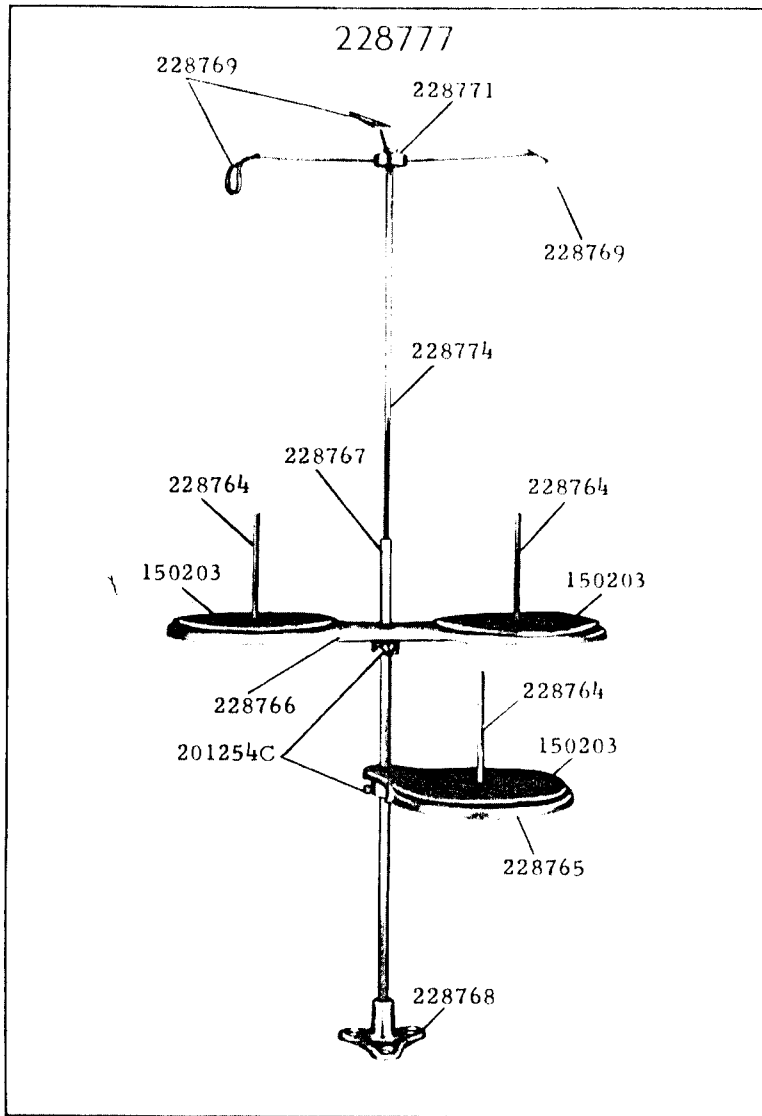
17874 - 1/2



17875 - 1/2



18104 - 1/6



18580 - 3/8

