

Form 19394

(340)

Printed in U. S. A.

LIST OF PARTS



MACHINE No. 114-31

THE SINGER MANUFACTURING COMPANY

INSTRUCTIONS FOR OILING

To insure easy running and prevent unnecessary wear of the parts which are in movable contact, the machine requires oiling, and when in continuous use it must be oiled at least once each day with Singer "Oil for High Speed Sewing Machines (Cloth and Leather)" for general use, or "Stainless Oil for High Speed Sewing Machines" where a stainless oil is desired.

To reach the oiling points under the machine bed, remove the two front screws in the machine base; turn the machine back on its hinges and pull out the cover on the underside of the machine bed.

Copyright, U. S. A., 1926 and 1940
by The Singer Manufacturing Co.
All Rights Reserved for all Countries

INDEX

	Page
Attachments and Accessories.....	16
Clamp No. 124922.....	16
Eye and Finger Guard.....	17
Foot Lifter Parts.....	16
Machine No. 114-31.....	5
Numerical List of Parts.....	21
Starting Lever.....	18
Table Belt Guide.....	19
Thread Unwinder.....	19

INSTRUCTIONS FOR ORDERING

In ordering from this list, use ONLY the part NUMBER in the FIRST column.

The number stamped on a Sewing Machine Part is in every case the number of the single part only.

Every combination of parts sent out as such has its specific number, which, although not stamped on the parts, must be used when ordering the combination.

Each number always indicates the SAME PART in whatever list it appears, or for whatever machine.

The letters after some of the numbers indicate the style of finish only, as follows:

- A-Hardened, Polished, Nickel Plated and Buffed
- A.A-Buffed and Chromium Plated
- A.B-Hardened, Polished, Buffed and Chromium Plated
- A.C-Brown Baking Enamel Finish
- A.D-Gray Baking Enamel Finish
- A.E-Hardened, Bright Rumbled and Nickel Plated
- A.F-Hardened, Bright Rumbled, Nickel Plated, Bright Rumbled and Chromium Plated
- B-Polished, Nickel Plated and Buffed
- C-Hardened Only
- C.R-Hardened and Merlized
- D-Polished Only
- E-Soft, Not Polished
- F-Hardened and Polished
- F.J-Hardened, Polished and Nickel Plated
- G-Bright Rumbled and Nickel Plated
- H-Blued
- J-Nickel Plated Only
- K-Hardened and Nickel Plated
- L-Brass Plated
- M-Oxidized
- N-Japanned, Dull
- P-Japanned, Bright
- P.P-Wrinkle Finish
- R-Merlized
- S-Cadmium Plated
- T-Copper Plated
- T.A-Hardened, Polished, Copper and Nickel Plated and Buffed
- T.B-Copper and Nickel Plated and Polished
- T.J-Copper and Nickel Plated Only
- T.K-Hardened, Copper and Nickel Plated
- T.L-Copper and Brass Plated
- T.M-Copper Plated and Oxidized
- U-Zinc Plated
- V-Silver Plated
- W-Polished and Nickel Plated
- X-Black Oxide, for Iron and Steel
- X.C-Hardened and Black Oxide, for Iron or Steel
- Y-Black Nickel Plated Only
- Z-Chromium Plated
- Z.A-Hardened, Polished, Nickel Plated, Buffed and Chromium Plated
- Z.B-Polished, Nickel Plated, Buffed and Chromium Plated
- Z.C-Hardened and Chromium Plated
- Z.D-Polished and Chromium Plated
- Z.G-Bright Rumbled, Nickel Plated, Bright Rumbled and Chromium Plated
- Z.J-Nickel and Chromium Plated
- Z.T-Copper and Chromium Plated

These letters MUST BE USED when they appear in the list; and AFTER the number as in the list.

In this series:

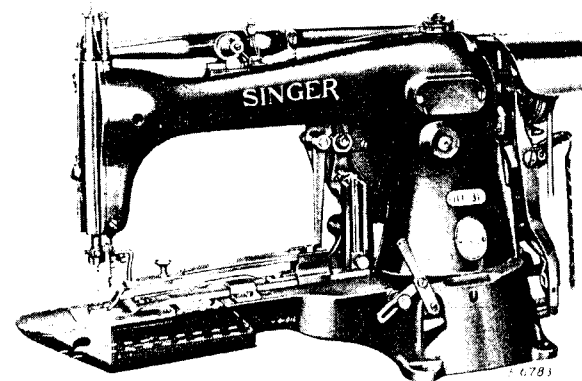
- 1 to 1500, 50001 to 51500 and 140001 to 142000 are Screw Numbers
- 1501 to 1800 and 51501 to 51800 are Nut Numbers
- 1801 to 2000 and 51801 to 52000 are Roller Numbers
- 2001 to 50000 and 52001 to 140000 and 142001 to 190000 are Sewing Machine Parts, 190001 and upward are numbers of Electrical Parts.

The figures in the second column refer only to the plates, illustrating the parts, and are NOT TO BE USED in ordering.

Parts marked with an asterisk (*) are furnished only when repairs are made at factory.

LIST OF PARTS COMPLETE

FOR



MACHINE No. 114-31

For Tacking Paper Tickets on Clothing to Distinguish Lot, Color, Size, etc, while in process of Manufacture, and tacking cuffs of trousers. Tack $\frac{3}{16}$ inch long, 7 stitches, including fastening stitch. Thread cutter. Speed 1000 R. P. M.

No.	Plate	Name
*124845	-----	Arm.....
*62295	-----	" 124845 with 15404, 124793 and two each 164E and 15405.....
16532	23161	Arm Dowel Pin.....
4448	23161	" Oil Tube, for intermediate bearing..
56015	23161	" " " " oiling 59705 and 59706
880E	23161	" Screw.....
59702	23161	" Shaft (horizontal).....
17703	23161	" " " " Bushing (back)...
50333C	23161	" " " " " " Ad-justing Screw.....
1520J	23161	Arm Shaft (horizontal) Bushing (back) Adjusting Screw Nut.....
59703	23161	Arm Shaft (horizontal) Gear with two 1036C.....

No.	Plate	Name
1036C	23161	Arm Shaft (horizontal) Gear Set Screw...
59704	23161	" " (upright).....
59705	23161	" " " Bushing (lower).....
446C	23161	" " " " " Set Screw.....
59706	23161	Arm Shaft (upright) Bushing (upper).....
446C	23161	" " " " " Set Screw.....
59707	23161	Arm Shaft (upright) Gear (lower) with two 1253C.....
1253C	23161	Arm Shaft (upright) Gear (lower) Set Screw.....
59708	23161	Arm Shaft (upright) Gear (upper) with two 1253C.....
1253C	23161	Arm Shaft (upright) Gear (upper) Set Screw.....
124674	23161	Arm Side Cover.....
190J	23161	" " " Screw.....
18498	23161	Belt Cover.....
59795	23161	" " Bracket with 184E and 59796..
184E	23161	" " " Screw Stud.....
59796	23161	" " " Stud.....
217J	23161	" " Screw.....
39222	23153	" Shifter.....
63976	23153	" " Clamp.....
1255D	23153	" " " Screw.....
124712	9596	Brake.....
124713	-----	" 124712 with four 56493.....
124714	9596	" Adjusting Plate.....
124715	9596	" " " Handle.....
124716	-----	" " " " 124715 with 124717.....
50435J	9596	Brake Adjusting Plate Handle Hinge Screw
124717	9596	" " " " Shaft.....
124718	9596	" " " " Crank with 1253C.....
1253C	9596	Brake Adjusting Plate Handle Shaft Crank Set Screw.....
51224W	9596	Brake Adjusting Plate Thumb Screw.....
124719	9596	" " " " " Bushing
124720	9596	" Arm.....
1403D	9596	" " Hinge Screw.....
124902	23153	" " Releasing Lever.....
124901	-----	" " " " 124902 with 124903 and two 792C.....
124903	23153	Brake Arm Releasing Lever Bracket.....
792C	23153	" " " " " Screw
176J	23153	" " " " " Screw.....
50446D	9596	" Hinge Screw.....
56493	9596	" Pad (leather).....

No.	Plate	Name
124846	9596	Brake Spring.....
124646	23175	Clamp with 1220E and 17928.....
124783	23175	" Arm with 17714 and 124780.....
17710	23175	" " Hinge Plate.....
1176J	23175	" " " " Screw.....
124780	23175	" " Hook.....
59710	23164	" Lifter.....
59807	-----	" " 59710 with 330J and 39453..
190J	23164	" " Screw.....
124711	23166	" Locking Device Latch with two 1057J.....
1057J	23166	Clamp Locking Device Latch Clamping Screw.....
124678	23166	Clamp Locking Device Latch Shaft.....
124679	23166	" " " " " Crank..
124680	23166	" " " " " " Connection.....
1282C	23166	Clamp Locking Device Latch Shaft Crank Connection Hinge Screw (lower).....
1282C	23166	Clamp Locking Device Latch Shaft Crank Connection Hinge Screw (upper).....
124823	23166	Clamp Locking Device Latch Shaft Crank Pin.....
17928	23175	Clamp Position Stud.....
17712	23175	" Pressure Spring.....
17713	23175	" " " Bracket.....
1177D	23175	" " " " Screw.....
17714	23175	" " " Guide Block.....
1178J	23175	" " " Screw.....
20437	23175	" " " " Washer.....
1220E	23175	" Screw Stud.....
1656J	23175	" Thumb Nut.....
124647	-----	Clamp complete, Nos. 1656J, 124646 and 124783.....
124886	23163	Cloth Plate.....
62102	23163	" " Guide Block (left).....
742F	23163	" " " " " Screw....
1547J	23163	" " " " " Nut
124887	23163	" " " " " (right).....
3021	23163	" " " " " Rivet...
742F	23163	" " " " " Screw...
124890	23163	" " Position Stud Bracket.....
62104	23163	" " Stop.....
26770	23163	" " " Rivet.....
124891	23163	Cloth Plate complete, Nos. 1547J, 3021, 26770, 62102, 62104, 124886, 124887, 124890 and two 742F.....
*124741	-----	Cylinder with 124719.....
124870	23163	" Bottom Cover with 124871 and two 124872.....

No.	Plate	Name
1681C	9596	Knife Bar Driving Lever Hinge Screw Nut.
59735	9596	" " " " Lock Stud.....
223F	9596	" " " " " " Screw
124787	23176	" " Guide.....
1235F	23176	" " " " Screw.....
62128	23176	" Holder with 59739.....
62129	23176	" " Cap with 59739.....
50013F	23176	" " " Screw.....
1547J	23176	" " " " Nut.....
59739	23176	" " " Stud.....
62130	23161	" " Connection.....
3021	23161	" " " Rivet.....
59739	23176	" " Stud.....
236F	23176	" Screw.....
124849	23176	Loop Guard.....
208D	23176	" " Screw.....
124899	23161	Looper with 34418.....
124761	23161	" Driving Shaft.....
124762	23161	" " " Bushing.....
52045	23161	" " " " Packing (cotton).....
1143C	23161	Looper Driving Shaft Bushing Set Screw..
59707	23161	" " " Gear with two 1253C
59747	23161	" " " " Cover.....
190J	23161	" " " " " Screw..
1253C	23161	" " " " " Set Screw.....
124885	23161	" Collar with 50274C.....
50274C	23161	" Set Screw.....
124763	23161	" Shaft.....
124764	23161	" " Bushing.....
50189C	23161	" " " Set Screw.....
124765	23161	" " Coupling with four 50150C..
50150C	23161	" " " Set Screw.....
34418	23161	" Washer.....
62299	23164	Needle Bar with 1072F.....
136588	23164	" " Connecting Link with 377C, 1518J and 65135.....
377C	23164	Needle Bar Connecting Link Hinge Screw..
1518J	23164	" " " " " " Nut
65135	23164	" " " " Stud with 391E....
391E	23164	" " " " Set Screw....
59757	23161	" " Crank Wheel with 448C and 1293C.....
1293C	23161	Needle Bar Crank Wheel Position Screw..
448C	23161	" " " " Set Screw.....
124794	23164	" " Thread Retainer.....
124795	-----	Needle Bar Thread Retainer complete, Nos. 1449H, 124794, 124796 and 124821....
124796	23164	Needle Bar Thread Retainer Bracket with 853C and two 42639.....

No.	Plate	Name
853C	23164	Needle Bar Thread Retainer Bracket Set Screw.....
42639	23164	Needle Bar Thread Retainer Position Pin.
1449H	23164	" " " " Screw.....
124821	23164	" " " " Spring.....
124766	23161	" Guard.....
124601	23161	" " Cam with two 465C.....
465C	23161	" " " Set Screw.....
2273	23161	" " Pin.....
124767	23161	" " Shaft.....
124792	-----	" " " 124767 with 2273 and 124766.....
59761	23161	Needle Guard Shaft Collar with two 465C.
465C	23161	" " " " Set Screw.....
124602	23161	" " " Crank with 124974 and two 1253C.....
51857	23161	Needle Guard Shaft Crank Roller.....
124698	23161	" " " " " Bushing
124699	23161	" " " " " Stud.....
124974	-----	Needle Guard Shaft Crank Roller complete, Nos. 51857, 124698 and 124699.....
1253C	23161	Needle Guard Shaft Set Screw.....
59765	23161	" " " Spring.....
59766	23161	" " " " Collar with 624C
624C	23161	" " " " " Set Screw
233J	23161	" " " " Screw.....
124768	23161	" " Spreader.....
233J	23161	" " " Screw.....
1072F	23164	" Set Screw.....
2058	23164	Presser Bar.....
124769	23166	" " Collar and Thread Pull-off Bracket with two 196C.....
196C	23166	Presser Bar Collar Set Screw.....
17842	23164	" " Guide Bracket with 453C....
453C	23164	" " " " Set Screw.....
124790	23166	" " Lifting Lever.....
124793	23166	" " " " Bracket.....
164E	23166	" " " " " Screw.
1201D	23166	" " " " Hinge Screw..
17845	23166	" " " " Rod.....
39408	-----	" " " " " 17845 with 17846.....
17846	23166	Presser Bar Lifting Lever Rod Chain....
32675	23164	" " Spring.....
68712	23161	Pulley (loose) 2 3/4 in. diam. with 200584D.....
68713	-----	Pulley (loose) 68712 with 68714.....
68714	23161	" " Ball Bearing.....
68715	23161	" " Bushing.....

No.	Plate	Name
51387R	23161	Pulley (loose) Cap Screw.....
200584D	23161	" " Oil Plug Screw.....
68716	23161	" (tight) 2 7/8 in. diam.....
68720	-----	" " 68716 with 1206C and 17854
2022	23161	" " Pin.....
68717	-----	Pulleys (ball bearing) complete, Nos. 51387R, 68713, 68715 and 68720.....
17853	23153	Starting Lever.....
1262C	23153	" " Hinge Screw.....
1662C	23153	" " " " Nut.....
17854	23161	Stop Cam.....
17855	23153	" " Interlocking Rod.....
124784	23153	" " " " Case.....
124770	-----	" " " " " 124784 with 124774, 124901 and two 176J....
124904	-----	Stop Cam Interlocking Rod Case 124770 with 63976 and two 1255D.....
124771	-----	Stop Cam Interlocking Rod Case 124904 with 1318D, 17855, 17863, 17864, 39222 and 68739.....
124772	23153	Stop Cam Interlocking Rod Case Bracket..
124773	-----	Stop Cam Interlocking Rod Case Bracket complete, Nos. 1182E, 1196C, 1204E, 1254C, 1262C, 1508J, 1662C, 17853, 17859, 17861, 17862, 17872, 17873, 124771, 124772 and two 898D.....
21828	23153	Stop Cam Interlocking Rod Case Bracket Dowel Pin.....
50372D	23153	Stop Cam Interlocking Rod Case Bracket Screw.....
1204E	23153	Stop Cam Interlocking Rod Case Hinge Screw.....
17859	23153	Stop Cam Interlocking Rod Case Socket Joint.....
898D	23153	Stop Cam Interlocking Rod Case Socket Joint Cap Screw.....
11622	9596	Stop Cam Interlocking Rod Case Spring...
19694	9596	" " " " " " " Hook
1695C	9596	" " " " " " " "
		Lock Nut.....
17861	23153	Stop Cam Interlocking Rod Case Stop Stud
1254C	23153	" " " " " " " "
		Screw Bushing.....
1506J	23153	Stop Cam Interlocking Rod Case Stop Stud Screw Bushing Lock Nut.....
17862	23153	Stop Cam Interlocking Rod Case Stop Stud Spring.....
124774	23153	Stop Cam Interlocking Rod Case Wearing Block.....
17863	23153	Stop Cam Interlocking Rod Spring.....

No.	Plate	Name
17864	23153	Stop Cam Interlocking Rod Stop.....
1318D	23153	" " " " " " Screw....
68739	23153	" " " " " " " Wash- er.....
3012	23161	Stop Cam Pin.....
1206C	23161	" " Screw.....
2102	23166	Tension Disc.....
1560C	23166	" Regulating Thumb Nut.....
50148C	23166	" Screw Stud.....
124687	-----	" " " 50148C with 1560C....
42336	23166	" Spring.....
13915	23166	" " Bushing.....
124775	23166	" Thread Guide.....
50370J	23166	" " " Set Screw.....
124609	23164	Thread Controller Sleeve.....
124607	23164	" " Spring.....
124608	23164	" " " Collar with 1477F
1477F	23164	" " " " Set Screw.
124610	23164	" " Stud with 56549.....
56549	-----	" " " Collar Pin.....
457C	23164	" " " Set Screw.....
124611	-----	Thread Controller complete, Nos. 124607 to 124610.....
124614	23166	Thread Nipper (lower) Blade Carrier with 124619 and two 6037.....
665J	23166	Thread Nipper (lower) Blade Carrier Cap Screw.....
124615	23176	Thread Nipper (lower) Blade Carrier Hinge Stud.....
6037	23166	Thread Nipper (lower) Blade Rivet.....
124652	23163	" " " " Cam.....
335J	23163	" " " " " Screw.....
124653	23166	" " " " Connection.....
124618	23166	" " " " " Extension
99K	23166	" " " " " "
		Hinge Screw.....
206J	23166	Thread Nipper (lower) Connection Exten- sion Screw.....
124619	23166	Thread Nipper (lower) Connection Hinge Stud.....
124620	23166	Thread Nipper (lower) Driving Arm.....
8554	23166	" " " " " " Pin...
124621	23166	" " " " Lever with 237K...
8554	23166	" " " " " Pin.....
237K	23166	" " " " " Set Screw...
124623	23166	" " " " " Shaft.....
124957	23166	" " " " " " Bracket
51188J	23166	" " " " " " "
		Screw.....
17738	23166	Thread Nipper (lower) Lever Shaft Bracket Screw Washer.....

No.	Plate	Name
1743D	23166	Thread Nipper (upper) Adjusting Thumb Nut.....
59773	23166	Thread Nipper (upper) Body.....
447C	23166	" " " " Set Screw....
59774	23161	" " " Cam with two 50150C
50150C	23161	" " " " Set Screw.....
2921	23166	" " " Disc.....
12162	23166	" " " " Guide Pin.....
62169	23166	" " " " Spring.....
59775	23166	" " " Eyelet.....
1527D	23166	" " " Lock Nut.....
59776	23166	" " " Stud with 13538....
13538	23166	" " " " Position Pin..
13539	23166	" " " " Roller.....
13540	23166	" " " " " Pin....
2026	23166	" " " " Spring.....
59777	-----	Thread Nipper (upper) Stud complete, Nos. 13539, 13540 and 59776.....
59778	23166	Thread Nipper (upper) complete, Nos. 1527D, 1743D, 2026, 59773, 59775, 59777, 62169 and two 2921.....
124776	23166	Thread Pull-off.....
202J	23166	" " " Screw.....
7071	23166	" " " Washer.....
124625	23164	" Take-up Body with 62172.....
42808	23164	" " Roller.....
62171	23164	" " " Cap.....
337J	23164	" " " " Screw.....
62172	23164	" " " Pin.....
124626	-----	Thread Take-up complete, Nos. 337J, 42808, 62171 and 124625.....
691F	23164	Thread Take-up Screw.....
39452	23164	" Wiper Body.....
39453	23164	" " " Finger.....
330J	23164	" " " " Screw.....
1207D	23164	" " " Hinge Screw.....
124777	23164	" " " Support.....
136556	-----	" " " " 124777 with 1207D, 1302D, 39452, 39455 and 89456...
641C	23164	Thread Wiper Body Support Set Screw....
39455	23164	" " " Wire.....
39456	23164	" " " " Clamp.....
1302D	23164	" " " " " Screw.....
124789	23176	Throat Plate with 124615.....
124877	-----	" " 124789 with 1547J, 50018F, 62128, 62129, 124778, 124876 and two each 206D and 236F.....
124778	23176	Throat Plate Needle Guard.....
206D	23176	" " " " Screw.....
691F	23176	" " " Screw.....

No.	Plate	Name
17872	23153	Trip Lever.....
1196C	23153	" " Hinge Screw.....
17873	23153	" " Spring.....
1182E	23153	" " " Screw.....
17874	23163	Tripping Point.....
190J	23163	" " " Screw.....
*15404	-----	Trade Mark.....
15405	-----	" " Rivet.....

Genuine Singer Needles should be used
in Singer Machines.
These Needles and their Containers
are marked with the
Company's Trade Mark "SIMANCO." 1

Needles in Containers marked
"For Singer Machines"
are not Singer made needles. 2

ATTACHMENTS AND ACCESSORIES

No.	Plate	Name
124958	23157	Cylinder Base Plate with two 453C.....
13420	23157	" " " Hinge Connection....
13423	23157	" " " " " Hinge Pin.....
453C	23157	Cylinder Base Plate Hinge Connection Hinge Pin Set Screw.....
134E	23157	Cylinder Base Plate Screw.....
124959	23157	Cylinder Base Plate (hinged) complete, Nos. 124958, two each 13420, 13423, three wood screws 1 1/4 in. No. 12 and four 134E.....
124975	-----	Cylinder Base Plate 124959 with 124966..
124960	23157	Machine Supporting Bracket (lower).....
178J	23157	" " " " Screw
124961	23157	" " " (upper).....
1396J	23157	" " " " Screw
124962	23157	" " Link (lower).....
124963	23157	" " " (upper).....
124964	23157	" " Hinge Rivet.....
124965	23157	" " Lock Plate.....
190333	23157	" " " " Lock Stud.....
124964	23157	Machine Supporting Link Lock Plate Rivet
124966	23157	Machine Support complete, Nos. 178J, 1396J, 124960 to 124963, 124965, 190333 and four 124964.....
120346	23157	Oiler (copper plated) with 120347.....
120347	23157	" Spout, 8 1/2 in. long.....
11831	23157	Screw Driver (large).....
26026	23157	" " (small).....
4822	23157	Wrench for 1547.....
10875	23157	" " 1518, 1520 and 1662.....
17905	23157	" " 1176, 1178, 1654 and 1655....
25200	23157	" " 1527.....
27662	23157	" " 1254 and 1508.....

CLAMP No. 124922

No.	Plate	Name
124911	23177	Clamp (left) with 124917.....
124912	23177	" (right) with 124917.....
124913	23177	" Arm with 17714 and 63788.....
63788	23177	" Hook.....
124914	23177	" Cuff Guide (adjustable).....

No.	Plate	Name
124915	23177	Clamp Cuff Guide Block.....
207J	23177	" " " " Screw.....
51224J	23177	" " " Thumb Screw.....
124916	23177	" Equalizing Bar.....
124917	23177	" " " Bearing Stud.....
124918	23177	" " " Bracket.....
1175J	23177	" " " Hinge Screw.....
124919	23177	" Guide Bracket.....
185J	23177	" " " Screw.....
124920	23177	" Hinge Bracket with 23219.....
208J	23177	" " " Screw.....
1175J	23177	" " Screw.....
17714	23177	" Pressure Spring Guide Block.....
124921	23177	" Spring.....
228J	23177	" " Screw.....
23219	23177	" " Steady Pin.....
124922	23177	Clamp complete for making blind tacks on cuffs, Nos. 185J, 207J, 208J, 228J, 124911 to 124916, 124918 to 124921, two 51224J and three 1175J.....

EYE AND FINGER GUARD

No.	Plate	Name
121603	23158	Eye and Finger Guard (glass).....
121604	23158	Carrying Arm.....
1004K	23158	" " Hinge Screw (back).....
1698J	23158	" " " " Nut....
50222K	23158	" " " " (front).....
1735J	23158	" " " " Nut...
121605	23158	" " Spring.....
50435K	23158	Depressing Screw.....
121606	23158	" " Holder.....
140061J	23158	" " " Screw.....
121607	23158	Frame.....
121608	-----	" 121607 with 121603.....
50165J	23158	" Screw.....
121609	23158	Guiding Rod.....
50435K	23158	" " Hinge Screw.....
121611	23158	Holder.....
121612	23158	Supporting Bracket.....
191J	23158	" " Screw.....
*121613	-----	Eye and Finger Guard complete, Nos. 1004K, 1698J, 1735J, 50222K, 50435K, 121604, 121605, 121608, 121609, 121611, 121612 and two 50165J.....
136586	23158	Face Plate.....

No.	Plate	Name
2107	23158	Face Plate Thread Guard.....
229J	23158	" " " " Screw.....
9543	23158	" " " " Nipper Disc.....
9544	23158	" " " " " Cover....
208J	23158	" " " " " Screw
9545	23158	" " " " " Spring....
136587	-----	Face Plate complete, Nos. 208J, 9544, 9545, 136586 and two each 229J, 2107 and 9543.....
121627	23158	Eye and Finger Guard with Face Plate complete, Nos. 50435K, 121606, 121613, 136587, 140061J and two 191J.....

FOOT LIFTER PARTS

No.	Plate	Name
17876	23159	Treadle with 443C.....
17877	23159	" Pitman Rod (lower).....
17878	23159	" " " (upper).....
17879	23159	" " " Clamp with two 161E..
161E	23159	" " " " Screw.....
17880	-----	Treadle Pitman complete, Nos. 17877 to 17879.....
17881	23159	Treadle Shaft.....
443C	23159	" " Set Screw.....
17882	23159	" Spring.....
17883	23159	" Stand.....
17884	23159	Treadle complete, Nos. 17876, 17881 to 17883 and two wood screws 1 in. No. 10.....
17885	-----	Treadle and Pitman complete, Nos. 17880 and 17884.....

STARTING LEVER

No.	Plate	Name
13351	23159	Chain, 46 in. to 55 in. long, with 56864 and 56865.....
Note: When ordering No. 13351, state length required.		
56864	23159	Chain Hook (large).....
56865	23159	" " (small).....
17876	23159	Treadle with 443C.....
17881	23159	" Shaft.....
443C	23159	" " Set Screw.....

No.	Plate	Name
17882	23159	Treadle Spring.....
17883	23159	" Stand.....
17884	23159	Treadle complete, Nos. 17876, 17881 to 17883 and two wood screws 1 in. No. 10.....

TABLE BELT GUIDE

No.	Plate	Name
39218	23159	Belt Guide with two 168E.....
168E	23159	" " Set Screw.....
17892	23159	Bracket with two 153E.....
17893	23159	Pulley.....
39219	23159	" Shaft (long) with 17896 and 63973
63973	23159	" " " Wick (braided cotton)
39220	23159	" " (short) with 17896 and 63974
63974	23159	" " " Wick (braided cotton)
17896	23159	" " Plug.....
153E	23159	" " Set Screw.....
39221	23159	Table Belt Guide complete, Nos. 17892, 39219, 39220, two each 17893, 39218 and three wood screws 1 1/4 in. No. 12...

THREAD UNWINDER

FOR ONE LARGE SPOOL OR ONE LARGE CONE OF THREAD

No.	Plate	Name
225259	23160	Spool Rest with 201018C.....
150203	23160	" " Cushion (felt).....
225388	23160	" " Rod.....
200383C	23160	" " " Set Screw.....
201018C	23160	" " Set Screw.....
202490	23160	" Stand with 200383C.....
225391	23160	Thread Guide.....
60771	23160	" Guide.....
60772	-----	" " 60771 with 41635.....
41635	23160	" " Bracket with 175E.....
175E	23160	" " " Set Screw.....
201696J	23160	" " Lock Nut.....
225326	23160	" " Position Cup.....
225324	23160	" " Rod with 208E and 225322...
208E	23160	" " " Screw.....
225322	23160	" " " Washer.....

No.	Plate	Name
225260	-----	Thread Unwinder complete, Nos. 150203, 201696J, 202490, 225259, 225324, 225326, 225368, 225391 and three wood screws 7/8 in. No. 12.....
27739	23160	Thread Cone (wood) for large cones.....
225390	23160	" " Holder, for inverted cones..
Note: Nos. 27739 and 225390 are used with, but not included in 225260.		
60773	23160	Thread Unwinder with Thread Guide complete, Nos. 60772 and 225260.....

Genuine Singer Needles should be used in Singer Machines. These Needles and their Containers are marked with the Company's Trade Mark "SIMANCO." 1

Needles in Containers marked "For Singer Machines" are not Singer made needles. 2

NUMERICAL LIST OF PARTS

No.	Plate	Name
99K	23166	Thread Nipper (lower) Connection Extension Hinge Screw.....
134E	23157	Cylinder Base Plate Screw for 124959....
153E	23159	Table Belt Guide Pulley Shaft Set Screw for 17892.....
160J	23176	Feed Regulator Bracket Cap Screw for 124651.....
161E	23159	Treadle Pitman Rod Clamp Screw for 17879
164J	23164	Face Plate Screw.....
164E	23166	Presser Bar Lifting Lever Bracket Screw for 62295.....
168E	23159	Table Belt Guide Set Screw for 39218....
175E	23160	Thread Unwinder Thread Guide Bracket Set Screw for 41635.....
176J	23153	Brake Arm Releasing Lever Screw for 124770.....
178J	23157	Machine Supporting Bracket (lower) Screw for 124966.....
184E	23161	Belt Cover Bracket Screw Stud for 59795.
185J	23177	Clamp Guide Bracket Screw for 124922....
190J	23161	Arm Side Cover Screw.....
190J	23164	Clamp Lifter Screw.....
190J	23175	Feed Plate Carrier Bar Guide Screw.....
190J	23161	Looper Driving Shaft Gear Cover Screw...
190J	23163	Tripping Point Screw for 124648.....
191J	23158	Eye and Finger Guard Supporting Bracket Screw for 121627.....
196C	23166	Presser Bar Collar Set Screw for 124769.
202J	23166	Thread Pull-off Screw.....
206J	23166	" Nipper (lower) Connection Extension Screw.....
206D	23176	Throat Plate Needle Guard Screw for 124877.....
207J	23177	Clamp Cuff Guide Block Screw for 124922..
208J	23177	" Hinge Bracket Screw for 124922....
208J	23158	Eye and Finger Guard Face Plate Thread Nipper Disc Cover Screw for 136587..
208J	23164	Face Plate Thread Nipper Disc Cover Screw for 59712.....
208D	23176	Loop Guard Screw.....
208E	23160	Thread Unwinder Thread Guide Rod Screw for 225324.....
217J	23161	Belt Cover Screw.....
223F	9596	Knife Bar Driving Lever Lock Stud Screw for 59734.....
228J	23177	Clamp Spring Screw for 124922.....

NUMERICAL LIST OF PARTS

No.	Plate	Name
229J	23158	Eye and Finger Guard Face Plate Thread Guard Screw for 136587.....
229J	23164	Face Plate Thread Guard Screw for 59712.
233J	23161	Needle Guard Shaft Spring Screw.....
233J	23161	" " Spreader Screw.....
236J	23161	Cylinder Oil Well Cover Screw.....
236F	23176	Knife Screw for 124877.....
237K	23166	Thread Nipper (lower) Lever Set Screw for 124621.....
330J	23164	Thread Wiper Body Finger Screw for 59807
335J	23163	" Nipper (lower) Cam Screw for 124648
337J	23164	" Take-up Roller Cap Screw for 124626
377C	23164	Needle Bar Connecting Link Hinge Screw for 136588.....
391E	23164	Needle Bar Connecting Stud Set Screw for 65135.....
443C	23159	Treadle Shaft Set Screw for 17876.....
446C	23161	Arm Shaft (upright) Bushing (lower) Set Screw.....
446C	23161	Arm Shaft (upright) Bushing (upper) Set Screw.....
447C	23166	Thread Nipper (upper) Body Set Screw....
448C	23161	Needle Bar Crank Wheel Set Screw for 59757.....
453C	23157	Cylinder Base Plate Hinge Connection Hinge Pin Set Screw for 124958.....
453C	23163	Feed Cam Driving Worm Wheel Set Screw for 17797.....
453C	23164	Presser Bar Guide Bracket Set Screw for 17842.....
457C	23164	Thread Controller Stud Set Screw.....
465C	23161	Needle Guard Cam Set Screw for 124601...
465C	23161	" " Shaft Collar Set Screw for 59761.....
624C	23161	Needle Guard Shaft Spring Collar Set Screw for 59766.....
641C	23164	Thread Wiper Body Support Set Screw.....
665J	23166	" Nipper (lower) Blade Carrier Cap Screw.....
691F	23164	Thread Take-up Screw.....
691F	23176	Throat Plate Screw.....
742F	23163	Cloth Plate Guide Block (left) Screw for 124891.....
742F	23163	Cloth Plate Guide Block (right) Screw for 124891.....
792C	23153	Brake Arm Releasing Lever Bracket Screw for 124901.....
853C	23164	Needle Bar Thread Retainer Bracket Set Screw for 124796.....
880E	23161	Arm Screw.....

NUMERICAL LIST OF PARTS

No.	Plate	Name
898D	23153	Stop Cam Interlocking Rod Case Socket Joint Cap Screw for 124773.....
934J	23175	Feed Plate Carrier Bar Plate Screw for 62123.....
1004K	23158	Eye and Finger Guard Carrying Arm Hinge Screw (back) for 121613.....
1034J	23163	Cylinder End Cover Spring Screw for 124873.....
1036C	23161	Arm Shaft (horizontal) Gear Set Screw for 59703.....
1057J	23166	Clamp Locking Device Latch Clamping Screw for 124711.....
1072F	23164	Needle Set Screw for 62299.....
1094F	23175	Feed Plate Carrier Bar Position Plate Screw for 62123.....
1143C	23161	Looper Driving Shaft Bushing Set Screw..
1175J	23177	Clamp Equalizing Bar Hinge Screw for 124922.....
1175J	23177	Clamp Hinge Screw for 124922.....
1176J	23175	" Arm Hinge Plate Screw.....
1177D	23175	" Pressure Spring Bracket Screw.....
1177E	23176	Feed Regulator Bracket Screw.....
1178J	23175	Clamp Pressure Spring Screw.....
1182E	23153	Trip Lever Spring Screw for 124773.....
1186D	9596	Knife Bar Check Plunger Case Screw.....
1190C	23175	Feed Regulator Stop Screw.....
1191D	23175	" " Thumb Screw.....
1192C	23163	" Cam Set Screw for 124648.....
1195E	23175	" Plate Screw Stud for 62123.....
1196C	23153	Trip Lever Hinge Screw for 124773.....
1201D	23166	Presser Bar Lifting Lever Hinge Screw...
1204E	23153	Stop Cam Interlocking Rod Case Hinge Screw for 124773.....
1206C	23161	Stop Cam Screw for 68720.....
1207D	23164	Thread Wiper Body Hinge Screw for 136556
1220E	23175	Clamp Screw Stud for 124646.....
1235F	23176	Knife Bar Guide Screw.....
1253C	23161	Arm Shaft (upright) Gear (lower) Set Screw for 59707.....
1253C	23161	Arm Shaft (upright) Gear (upper) Set Screw for 59708.....
1253C	9596	Brake Adjusting Plate Handle Shaft Crank Set Screw for 124718.....
1253C	23161	Looper Driving Shaft Gear Set Screw for 59707.....
1253C	23161	Needle Guard Shaft Set Screw for 124602.
1254C	23153	Stop Cam Interlocking Rod Case Stop Stud Screw Bushing for 124773.....
1255D	23153	Belt Shifter Clamp Screw for 124904.....
1262C	23153	Starting Lever Hinge Screw for 124773...

NUMERICAL LIST OF PARTS

No.	Plate	Name
1282C	23166	Clamp Locking Device Latch Shaft Crank Connection Hinge Screw (lower).....
1282C	23166	Clamp Locking Device Latch Shaft Crank Connection Hinge Screw (upper).....
1293C	23161	Needle Bar Crank Wheel Position Screw for 59757.....
1302D	23164	Thread Wiper Body Wire Clamp Screw for 136556.....
1318D	23153	Stop Cam Interlocking Rod Stop Screw for 124771.....
1382F	9596	Knife Bar Driving Lever Hinge Screw.....
1396J	23157	Machine Supporting Bracket (upper) Screw for 124966.....
1403D	9596	Brake Arm Hinge Screw.....
1441C	23161	Feed Cam Driving Worm Set Screw for 18415.....
1442C	23161	Feed Cam Driving Worm Position Screw for 18415.....
1449H	23164	Needle Bar Thread Retainer Screw for 124795.....
1477J	23163	Cylinder End Cover Bracket Screw for 124873.....
1477J	23163	Cylinder End Cover Hinge Screw for 124873.....
1477F	23164	Thread Controller Spring Collar Set Screw for 124608.....
1508J	23153	Stop Cam Interlocking Rod Case Stop Stud Screw Bushing Lock Nut for 124773...
1518J	23164	Needle Bar Connecting Link Hinge Screw Nut for 136588.....
1520J	23161	Arm Shaft (horizontal) Bushing (back) Adjusting Screw Nut.....
1527D	23166	Thread Nipper (upper) Lock Nut for 59778
1547J	23163	Cloth Plate Guide Block (left) Screw Nut for 124891.....
1547J	23176	Knife Holder Cap Screw Nut for 124877...
1560C	23166	Tension Regulating Thumb Nut for 124687.
1653C	23163	Feed Cam Shaft Nut.....
1654C	23175	" Plate Nut.....
1655C	23176	" Regulator Roller and Screw Stud Nut for 1953.....
1656J	23175	Clamp Thumb Nut for 124647.....
1662C	23153	Starting Lever Hinge Screw Nut for 124773.....
1681C	9596	Knife Bar Driving Lever Hinge Screw Nut.
1695C	9596	Stop Cam Interlocking Rod Case Spring Hook Lock Nut.....
1698J	23158	Eye and Finger Guard Carrying Arm Hinge Screw (back) Nut for 121613.....
1722D	9596	Knife Bar Check Plunger Lock Nut for 124936.....

NUMERICAL LIST OF PARTS

No.	Plate	Name
1722D	9596	Knife Bar Check Plunger Nut for 124936..
1735J	23158	Eye and Finger Guard Carrying Arm Hinge Screw (front) Nut for 121613.....
1743D	23166	Thread Nipper (upper) Adjusting Thumb Nut for 59778.....
1953	23176	Feed Regulator Roller and Screw Stud with 1655C and 14017, for 17742.....
2022	23161	Pulley (tight) Pin.....
2026	23166	Thread Nipper (upper) Stud Spring for 59778.....
2058	23164	Presser Bar.....
2102	23166	Tension Disc.....
2107	23158	Eye and Finger Guard Face Plate Thread Guard for 136587.....
2107	23164	Face Plate Thread Guard for 59712.....
2273	23161	Needle Guard Pin for 124792.....
2921	23166	Thread Nipper (upper) Disc for 59778....
3012	23161	Stop Cam Pin.....
3021	23163	Cloth Plate Guide Block (right) Rivet for 124891.....
3021	23161	Knife Holder Connection Rivet for 62124.
4448	23161	Arm Oil Tube for intermediate bearing...
4822	23157	Wrench for 1547 (Attachments and Accessories).....
6037	23166	Thread Nipper (lower) Blade Rivet for 124614.....
7071	23166	Thread Pull-off Screw Washer.....
8505	23175	Feed Plate Position Stud Rivet for 62123
8554	23166	Thread Nipper (lower) Driving Arm Pin...
8554	23166	" " " Lever Pin.....
9539	23176	Feed Regulator Bracket Dowel Pin.....
9543	23158	Eye and Finger Guard Face Plate Thread Nipper Disc for 136587.....
9543	23164	Face Plate Thread Nipper Disc for 59712.
9544	23158	Eye and Finger Guard Face Plate Thread Nipper Disc Cover for 136587.....
9544	23164	Face Plate Thread Nipper Disc Cover for 59712.....
9545	23158	Eye and Finger Guard Face Plate Thread Nipper Disc Spring for 136587.....
9545	23164	Face Plate Thread Nipper Disc Spring for 59712.....
10875	23157	Wrench for 1518, 1520 and 1662 (Attachments and Accessories).....
11622	9596	Stop Cam Interlocking Rod Case Spring...
11831	23157	Screw Driver (large) Attachments and Accessories.....
12162	23166	Thread Nipper (upper) Disc Guide Pin....
13351	23159	Chain, 46 in. to 55 in. long, with 56864 and 56865.....

No.	Plate	Name
13538	23166	Thread Nipper (upper) Stud Position Pin for 59776.....
13539	23166	Thread Nipper (upper) Stud Roller for 59777.....
13540	23166	Thread Nipper (upper) Stud Roller Pin for 59777.....
13915	23166	Tension Spring Bushing.....
14017	23176	Feed Regulator Roller and Screw Stud Nut Washer for 1953.....
*15404	-----	Trade Mark for 62295.....
15405	-----	" " Rivet for 62295.....
16532	23161	Arm Dowel Pin.....
17703	23161	Arm Shaft (horizontal) Bushing (back)...
17710	23175	Clamp Arm Hinge Plate.....
17712	23175	" Pressure Spring.....
17713	23175	" " " Bracket.....
17714	23175	" " " Guide Block for 124783 and 124913.....
17738	23166	Thread Nipper (lower) Lever Shaft Bracket Screw Washer.....
17741	23175	Feed Plate Carrier Bar Position Plate Stud for 62118.....
17742	23176	Feed Regulator with 1953.....
17743	23175	" " Post for 62123.....
17744	23175	" " Hinge Stud.....
17745	23175	" " Swivel.....
17797	23163	" Cam Driving Worm Wheel with 453C...
17806	23175	" Plate Position Stud for 62123.....
17842	23164	Presser Bar Guide Bracket with 453C.....
17845	23166	" " Lifting Lever Rod for 39408.....
17846	23166	" " " " Chain for 39408.....
17853	23153	Starting Lever for 124773.....
17854	23161	Stop Cam for 68720.....
17855	23153	" " Interlocking Rod for 124771....
17859	23153	" " " " Case Socket Joint for 124773.....
17861	23153	Stop Cam Interlocking Rod Case Stop Stud for 124773.....
17862	23153	Stop Cam Interlocking Rod Case Stop Stud Spring for 124773.....
17863	23153	Stop Cam Interlocking Rod Spring for 124771.....
17864	23153	Stop Cam Interlocking Rod Stop for 124771.....
17872	23153	Trip Lever for 124773.....
17873	23153	" " Spring for 124773.....
17874	23163	Tripping Point for 124648.....
17876	23159	Treadle with 443C, for 17884.....
17877	23159	" Pitman Rod (lower) for 17880....

No.	Plate	Name
17878	23159	Treadle Pitman Rod (upper) for 17880....
17879	23159	" " " Clamp with two 161E, for 17880.....
17880	-----	Treadle Pitman complete for 17885, Nos. 17877 to 17879.....
17881	23159	Treadle Shaft for 17884.....
17882	23159	" Spring for 17884.....
17883	23159	" Stand for 17884.....
17884	23159	Treadle complete for 17885, Nos. 17876, 17881 to 17883 and two wood screws 1 in. No. 10.....
17885	-----	Treadle and Pitman complete, Nos. 17880 and 17884.....
17892	23159	Table Belt Guide Bracket with two 153E, for 39221.....
17893	23159	Table Belt Guide Pulley for 39221.....
17896	23159	" " " " Shaft Plug for 39219 and 39220.....
17905	23157	Wrench for 1176,1178,1654 and 1655 (Attachments and Accessories).....
17915	9596	Knife Bar Connection Slide Block for 17917.....
17916	9596	Knife Bar Connection Slide Block Stud for 17917.....
17917	-----	Knife Bar Connection Slide Block 17915 with 17916, for 62126.....
17928	23175	Clamp Position Stud for 124646.....
18368	23175	Feed Plate Carrier Bar Plate for 62123..
18384	23163	" Cam Driving Worm Wheel Pin.....
18384	23163	" " Pin.....
18415	23161	" " Driving Worm with 1441C and 1442C.....
18420	23157	Cylinder Base Plate Hinge Connection for 124959.....
18423	23157	Cylinder Base Plate Hinge Connection Hinge Pin for 124959.....
18498	23161	Belt Cover.....
19694	9596	Stop Cam Interlocking Rod Case Spring Hook.....
20437	23175	Clamp Pressure Spring Screw Washer.....
21828	23153	Stop Cam Interlocking Rod Case Bracket Dowel Pin.....
23219	23177	Clamp Spring Steady Pin for 124920.....
25200	23157	Wrench for 1527 (Attachments and Accessories).....
26026	23157	Screw Driver (small) Attachments and Accessories).....
26770	23163	Cloth Plate Stop Rivet for 124891.....
27662	23157	Wrench for 1254 and 1508 (Attachments and Accessories).....

No.	Plate	Name
27739	23160	Thread Unwinder Thread Cone (wood) for large cones for 225260.....
32675	23164	Presser Bar Spring.....
34418	23161	Looper Washer for 124899.....
39218	23159	Table Belt Guide with two 168E, for 39221.....
39219	23159	Table Belt Guide Pulley Shaft (long)with 17896 and 63973, for 39221.....
39220	23159	Table Belt Guide Pulley Shaft (short) with 17896 and 63974, for 39221.....
39221	23159	Table Belt Guide complete, Nos. 17892, 39219,39220,two each 17893,39218 and three wood screws 1 1/4 in. No. 12..
39222	23153	Belt Shifter for 124771.....
39408	-----	Presser Bar Lifting Lever Rod 17845 with 17846.....
39452	23164	Thread Wiper Body for 136556.....
39453	23164	" " " Finger for 59807.....
39455	23164	" " " Wire for 136556.....
39456	23164	" " " " Clamp for 136556.
41635	23160	" Unwinder Thread Guide Bracket with 175E, for 60772.....
42336	23166	Tension Spring.....
42639	23164	Needle Bar Thread Retainer Position Pin for 124796.....
42808	23164	Thread Take-up Roller for 124626.....
5001EF	23176	Knife Holder Cap Screw for 124877.....
50148C	23166	Tension Screw Stud for 124687.....
50150C	23161	Looper Shaft Coupling Set Screw for 124765.....
50150C	23161	Thread Nipper (upper) Cam Set Screw for 59774.....
50152D	9596	Knife Bar Check Screw.....
50165J	23158	Eye and Finger Guard Frame Screw for 121613.....
50189C	23161	Looper Shaft Bushing Set Screw.....
50222K	23158	Eye and Finger Guard Carrying Arm Hinge Screw (front) for 121613.....
50274C	23161	Looper Set Screw for 124885.....
50306D	23175	Feed Plate Carrier Bar Pivot Block Screw
50333C	23161	Arm Shaft (horizontal) Bushing (back) Adjusting Screw.....
50370J	23166	Tension Thread Guide Set Screw.....
50372D	23153	Stop Cam Interlocking Rod Case Bracket Screw.....
50435J	9596	Brake Adjusting Plate Handle Hinge Screw
50435K	23158	Eye and Finger Guard Depressing Screw for 121627.....
50435K	23158	Eye and Finger Guard Guiding Rod Hinge Screw for 121613.....

No.	Plate	Name
50446D	9596	Brake Hinge Screw.....
51120J	9596	Knife Bar Check Regulating Screw for 124936.....
51188J	23166	Thread Nipper (lower) Lever Shaft Bracket Screw.....
51591J	9596	Knife Bar Check Regulating Screw Lock Nut for 124936.....
51224W	9596	Brake Adjusting Plate Thumb Screw.....
51224J	23177	Clamp Cuff Guide Thumb Screw for 124922.
51387R	23161	Pulley (loose) Cap Screw for 68717.....
51857	23161	Needle Guard Shaft Crank Roller for 124974.....
52045	23161	Looper Driving Shaft Bushing Packing (cotton).....
55300	23175	Feed Plate Carrier Bar Position Plate Steady Pin for 62123.....
56015	23161	Arm Oil Tube for oiling 59705 and 59706.
56493	9596	Brake Pad (leather) for 124713.....
56549	-----	Thread Controller Stud Collar Pin for 124610.....
56864	23159	Chain Hook (large) for 13351.....
56865	23159	" " (small) for 13351.....
59702	23161	Arm Shaft (horizontal).....
59703	23161	" " " Gear with two 1036C
59704	23161	Arm Shaft (upright).....
59705	23161	" " " Bushing (lower).....
59706	23161	" " " " (upper).....
59707	23161	" " " Gear (lower) with two 1253C.....
59707	23161	Looper Driving Shaft Gear with two 1253C
59708	23161	Arm Shaft (upright) Gear (upper) with two 1253C.....
59710	23164	Clamp Lifter for 59807.....
59711	23164	Face Plate for 59712.....
59712	23164	Face Plate complete, Nos.208J,9544,9545, 59711 and two each 229J, 2107 and 9543.....
59730	23175	Feed Plate Carrier Bar Pivot Block.....
59734	9596	Knife Bar Driving Lever with 223F and 59735.....
59735	9596	Knife Bar Driving Lever Lock Stud for 59734.....
59739	23176	Knife Holder Cap Stud for 62129.....
59739	23176	" " Stud for 62128.....
59747	23161	Looper Driving Shaft Gear Cover.....
59757	23161	Needle Bar Crank Wheel with 448C and 1293C.....
59761	23161	Needle Guard Shaft Collar with two 465C.
59765	23161	" " " Spring.....
59766	23161	" " " " Collar with 624C

No.	Plate	Name
59773	23166	Thread Nipper (upper) Body for 59778....
59774	23161	" " " Cam with two 501500
59775	23166	" " " Eyelet for 59778...
59776	23166	" " " Stud with 13538, for 59777.....
59777	-----	Thread Nipper (upper) Stud complete for 59778, Nos. 13539, 13540 and 59776..
59778	23166	Thread Nipper (upper) complete, Nos. 1527D, 1743D, 2026, 59773, 59775, 59777, 62169 and two 2921.....
59795	23161	Belt Cover Bracket with 184E and 59796..
59796	23161	" " " Stud for 59795.....
59807	-----	Clamp Lifter 59710 with 330J and 39453..
60771	23160	Thread Unwinder Thread Guide for 60772..
60772	-----	" " " " 60771 with 41635, for 60773.....
60773	23160	Thread Unwinder with Thread Guide com- plete, Nos. 60772 and 225260.....
62102	23163	Cloth Plate Guide Block (left) for 124891.....
62104	23163	Cloth Plate Stop for 124891.....
62111	23163	Cylinder End Cover Bracket Hinge Pin for 124873.....
62113	23163	Cylinder End Cover Spring for 124873....
62118	23175	Feed Plate Carrier Bar Position Plate with 17741, for 62123.....
62119	23175	Feed Plate Carrier Bar Position Plate Cover for 62123.....
62123	23175	Feed Plate Carrier Bar with 934J, 1094F, 1195E, 8505, 17743, 18368, 62118, 62119, two 55300 and four 17806.....
62124	23161	Knife Bar with 62130 and two 3021.....
62126	9596	" " Connection with 17917.....
62128	23176	" Holder with 59739, for 124877.....
62129	23176	" " Cap with 59739, for 124877.
62130	23161	" " Connection for 62124.....
62155	23163	Feed Cam Shaft.....
62169	23166	Thread Nipper (upper) Disc Spring for 59778.....
62171	23164	Thread Take-up Roller Cap for 124626....
62172	23164	" " " Pin for 124625....
62185	23163	Cylinder End Cover Bracket for 124873...
*62295	-----	Arm 124845 with 15404, 124793 and two each 164E and 15405.....
62299	23164	Needle Bar with 1072F.....
63788	23177	Clamp Arm Hook for 124913.....
63973	23159	Table Belt Guide Pulley Shaft (long) Wick (braided cotton) for 39219.....
63974	23159	Table Belt Guide Pulley Shaft (short) Wick (braided cotton) for 39220.....

No.	Plate	Name
63976	23153	Belt Shifter Clamp for 124904.....
65135	23164	Needle Bar Connecting Stud with 391E, for 136588.....
68712	23161	Pulley (loose) 2 3/4 in. diam. with 200584D, for 68713.....
68713	-----	Pulley (loose) 68712 with 68714, for 68717.....
68714	23161	Pulley (loose) Ball Bearing for 68713...
68715	23161	" " Bushing for 68717.....
68716	23161	" (tight) 2 7/8 in. diam. for 68720
68717	-----	Pulleys (ball bearing) complete, Nos. 51387R, 68713, 68715 and 68720.....
68720	-----	Pulley (tight) 68716 with 1206C and 17854, for 68717.....
68739	23153	Stop Cam Interlocking Rod Stop Screw Washer for 124771.....
120346	23157	Oiler (copper plated) with 120347 (At- tachments and Accessories).....
120347	23157	Oiler Spout, 8 1/2 in. long, for 120346.
121603	23158	Eye and Finger Guard (glass) for 121608.
121604	23158	" " " " Carrying Arm for 121613.....
121605	23158	Eye and Finger Guard Carrying Arm Spring for 121613.....
121606	23158	Eye and Finger Guard Depressing Screw Holder for 121627.....
121607	23158	Eye and Finger Guard Frame for 121608...
121608	-----	" " " " " 121607 with 121603, for 121613.....
121609	23158	Eye and Finger Guard Guiding Rod for 121613.....
121611	23158	Eye and Finger Guard Holder for 121613..
121612	23158	" " " " Supporting Bracket for 121613.....
*121613	-----	Eye and Finger Guard complete for 121627, Nos. 1004K, 1698J, 1735J, 50222K, 50435K, 121604, 121605, 121608, 121609, 121611, 121612 and two 50165J.....
121627	23158	Eye and Finger Guard with Face Plate complete, Nos. 50435K, 121606, 121613, 136587, 140061J and two 191J.....
124601	23161	Needle Guard Cam with two 465C.....
124602	23161	" " Shaft Crank with 124974 and two 1253C.....
124607	23164	Thread Controller Spring for 124611....
124608	23164	" " " Collar with 1477F, for 124611.....
124609	23164	Thread Controller Sleeve for 124611....
124610	23164	" " Stud with 56549, for 124611.....

No.	Plate	Name
124611	-----	Thread Controller complete, Nos. 124607 to 124610.....
124614	23166	Thread Nipper (lower) Blade Carrier with 124619 and two 6037.....
124615	23176	Thread Nipper (lower) Blade Carrier Hinge Stud for 124789.....
124618	23166	Thread Nipper (lower) Connection Extension.....
124619	23166	Thread Nipper (lower) Connection Hinge Stud for 124614.....
124620	23166	Thread Nipper (lower) Driving Arm.....
124621	23166	" " " Lever with 237K...
124623	23166	" " " Shaft.....
124625	23164	" Take-up Body with 62172, for 124626
124626	-----	Thread Take-up complete, Nos. 337J, 42808, 62171 and 124625.....
124646	23175	Clamp with 1220E and 17928, for 124647..
124647	-----	Clamp complete, Nos. 1656J, 124646 and 124783.....
124648	23163	Feed Cam with two 1192C, six each 190J, 17874, 124652 and twelve 335J.....
124649	23175	Feed Plate.....
124650	23175	" " Carrier Bar Guide.....
124651	23176	" Regulator Bracket with two 160J....
124652	23163	Thread Nipper (lower) Cam for 124648....
124653	23166	" " " Connection.....
124674	23161	Arm Side Cover.....
124678	23166	Clamp Locking Device Latch Shaft.....
124679	23166	" " " " " Crank..
124680	23166	" " " " " " Connection.....
124687	-----	Tension Screw Stud 50148C with 1560C....
124698	23161	Needle Guard Shaft Crank Roller Bushing for 124974.....
124699	23161	Needle Guard Shaft Crank Roller Bushing Stud for 124974.....
124711	23166	Clamp Locking Device Latch with two 1057J.....
124712	9596	Brake for 124713.....
124713	-----	" 124712 with four 56493.....
124714	9596	" Adjusting Plate.....
124715	9596	" " " Handle for 124716..
124716	-----	" " " " 124715 with 124717.....
124717	9596	Brake Adjusting Plate Handle Shaft for 124716.....
124718	9596	Brake Adjusting Plate Handle Shaft Crank with 1253C.....
124719	9596	Brake Adjusting Plate Thumb Screw Bushing for 124741.....

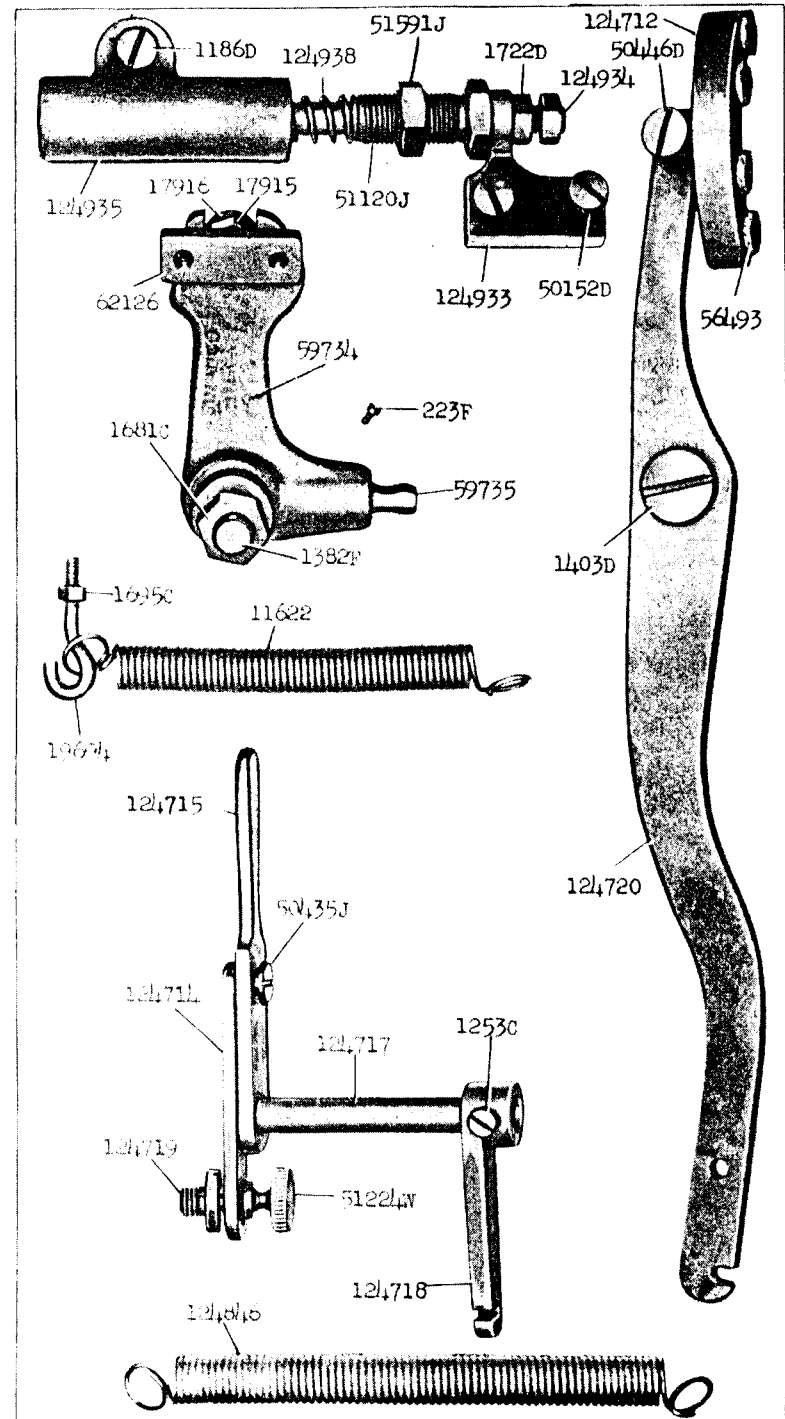
No.	Plate	Name
124720	9596	Brake Arm.....
*124741	-----	Cylinder with 124719.....
124742	23163	" End Cover for 124873.....
124744	23163	" " " Hinge for 124873....
124745	23161	" Oil Well Cover.....
124761	23161	Looper Driving Shaft.....
124762	23161	" " " Bushing.....
124763	23161	" Shaft.....
124764	23161	" " Bushing.....
124765	23161	" " Coupling with four 50150C..
124766	23161	Needle Guard for 124792.....
124767	23161	" " Shaft for 124792.....
124768	23161	" " Spreader.....
124769	23166	Presser Bar Collar and Thread Pull-off Bracket with two 196C.....
124770	-----	Stop Cam Interlocking Rod Case 124784 with 124774, 124901 and two 176J, for 124904.....
124771	-----	Stop Cam Interlocking Rod Case 124904 with 1318D, 17855, 17863, 17864, 39222 and 68739, for 124773.....
124772	23153	Stop Cam Interlocking Rod Case Bracket for 124773.....
124773	-----	Stop Cam Interlocking Rod Case Bracket complete, Nos. 1182E, 1196C, 1204E, 1254C, 1262C, 1508J, 1662C, 17853, 17859, 17861, 17862, 17872, 17873, 124771, 124772 and two 898D.....
124774	23153	Stop Cam Interlocking Rod Case Wearing Block for 124770.....
124775	23166	Tension Thread Guide.....
124776	23166	Thread Pull-off.....
124777	23164	" Wiper Body Support for 136556....
124778	23176	Throat Plate Needle Guard for 124877....
124780	23175	Clamp Arm Hook for 124783.....
124783	23175	" " with 17714 and 124780, for 124647.....
124784	23153	Stop Cam Interlocking Rod Case for 124770.....
124787	23176	Knife Bar Guide.....
124789	23176	Throat Plate with 124615, for 124877....
124790	23166	Presser Bar Lifting Lever.....
124792	-----	Needle Guard Shaft 124767 with 2273 and 124766.....
124793	23166	Presser Bar Lifting Lever Bracket for 62295.....
124794	23164	Needle Bar Thread Retainer for 124795...
124795	-----	Needle Bar Thread Retainer complete, Nos. 1449H, 124794, 124796 and 124821.....

No.	Plate	Name
124796	23164	Needle Bar Thread Retainer Bracket with 853C and two 42639, for 124795.....
124821	23164	Needle Bar Thread Retainer Spring for 124795.....
124823	23166	Clamp Locking Device Latch Shaft Crank Pin.....
*124845	-----	Arm for 62295.....
124846	9596	Brake Spring.....
124849	23176	Loop Guard.....
124870	23163	Cylinder Bottom Cover with 124871 and two 124872, for 124873.....
124871	23163	Cylinder Bottom Cover Stop for 124870...
124872	23163	" " " " Rivet for 124870.....
124873	23163	Cylinder End Cover 124742 with 1034J, 62111,62113,62185,124744,124870 and four 1477J.....
124876	23176	Knife for 124877.....
124877	-----	Throat Plate 124789 with 1547J, 50018F, 62128, 62129, 124778, 124876 and two each 206D and 236F.....
124885	23161	Looper Collar with 50274C.....
124886	23163	Cloth Plate for 124891.....
124887	23163	Cloth Plate Guide Block (right) for 124891.....
124890	23163	Cloth Plate Position Stud Bracket for 124891.....
124891	23163	Cloth Plate complete, Nos. 1547J, 302L, 26770, 62102, 62104, 124886, 124887, 124890 and two 742F.....
124899	23161	Looper with 34418.....
124901	-----	Brake Arm Releasing Lever 124902 with 124903 and two 792C, for 124770....
124902	23153	Brake Arm Releasing Lever for 124901....
124903	23153	" " " " Bracket for 124901.....
124904	-----	Stop Cam Interlocking Rod Case 124770 with 63976 and two 1255D, for 124771
124911	23177	Clamp (left) with 124917, for 124922....
124912	23177	" (right) with 124917, for 124922....
124913	23177	" Arm with 17714 and 63788, for 124922.....
124914	23177	Clamp Cuff Guide (adjustable) for 124922
124915	23177	" " " Block for 124922.....
124916	23177	" Equalizing Bar for 124922.....
124917	23177	" " " Bearing Stud for 124911 and 124912.....
124918	23177	Clamp Equalizing Bar Bracket for 124922.
124919	23177	" Guide Bracket for 124922.....
124920	23177	Clamp Hinge Bracket with 23219, for 124922.....

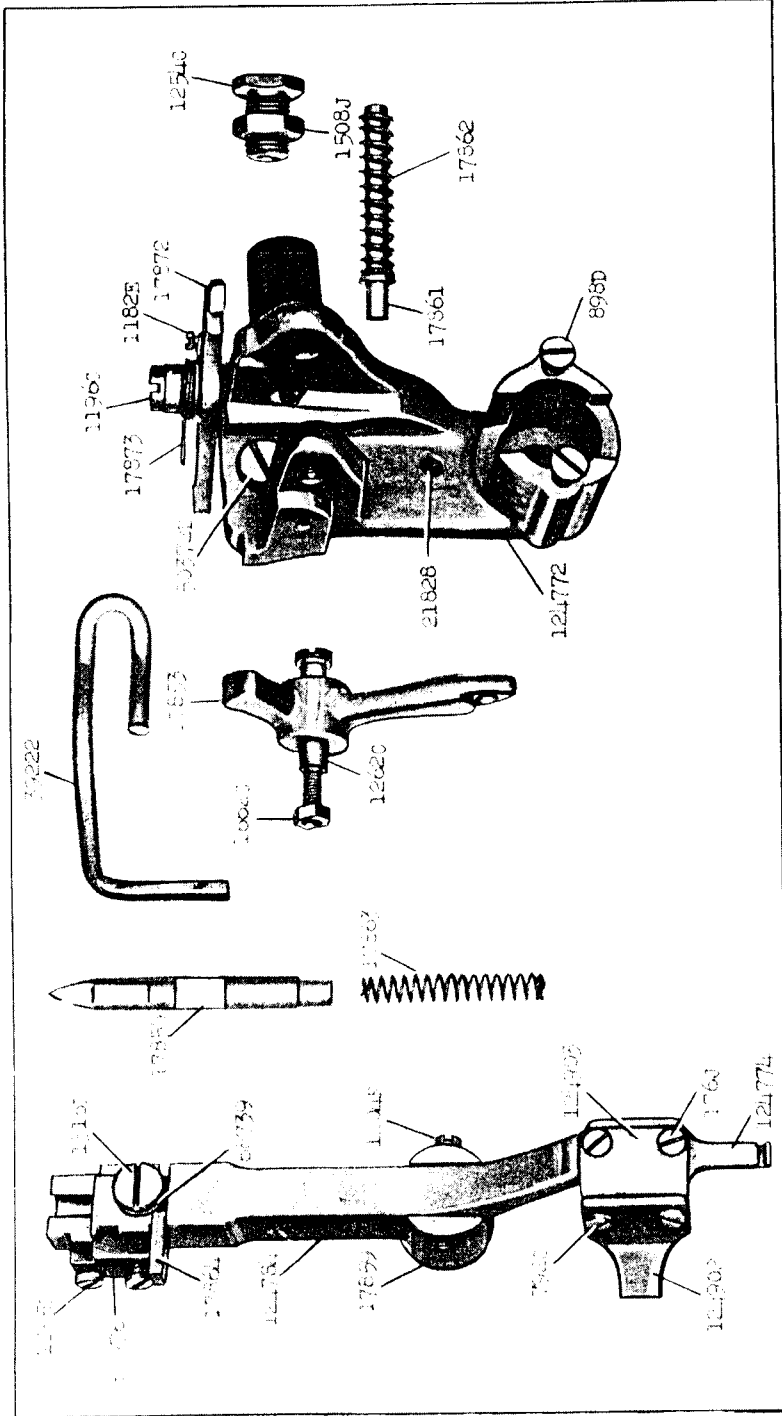
No.	Plate	Name
124921	23177	Clamp Spring for 124922.....
124922	23177	Clamp complete for making blind tacks on cuffs, Nos. 185J,207J,208J,228J, 124911 to 124916, 124918 to 124921, two 51224J and three 1175J.....
124933	9596	Knife Bar Check for 124936.....
124934	9596	" " " Plunger for 124936.....
124935	9596	" " " " Case for 124936.
124936	-----	Knife Bar Check complete, Nos. 51120J, 51591J, 124933 to 124935, 124938 and two 1722D.....
124938	9596	Knife Bar Check Plunger Spring for 124936.....
124957	23166	Thread Nipper (lower) Lever Shaft Bracket.....
124958	23157	Cylinder Base Plate with two 453C, for 124959.....
124959	23157	Cylinder Base Plate (hinged) complete for 124975, Nos. 124958, two each 18420, 18423, three wood screws 1 1/4 in. No. 12 and four 134E.....
124960	23157	Machine Supporting Bracket (lower) for 124966.....
124961	23157	Machine Supporting Bracket (upper) for 124966.....
124962	23157	Machine Supporting Link (lower) for 124966.....
124963	23157	Machine Supporting Link (upper) for 124966.....
124964	23157	Machine Supporting Link Hinge Rivet for 124966.....
124964	23157	Machine Supporting Link Lock Plate Rivet for 124966.....
124965	23157	Machine Supporting Link Lock Plate for 124966.....
124966	23157	Machine Support complete for 124975,Nos. 178J,1396J,124960 to 124963,124965, 190333 and four 124964.....
124974	-----	Needle Guard Shaft Crank Roller complete for 124602, Nos. 51857, 124698 and 124699.....
124975	-----	Cylinder Base Plate 124959 with 124966 (Attachments and Accessories).....
136556	-----	Thread Wiper Body Support 124777 with 1207D, 1302D, 39452, 39455 and 39456
136586	23158	Eye and Finger Guard Face Plate for 136587.....
136587	-----	Eye and Finger Guard Face Plate complete for 121627, Nos. 208J, 9544, 9545, 136586 and two each 229J, 2107 and 9543.....

No.	Plate	Name
136588	23164	Needle Bar Connecting Link with 377C, 1518J and 65135.....
140061J	23158	Eye and Finger Guard Depressing Screw Holder Screw for 121627.....
150203	23160	Thread Unwinder Spool Rest Cushion (felt) for 225260.....
190333	23157	Machine Supporting Link Lock Plate Lock Stud for 124966.....
200383C	23160	Thread Unwinder Spool Rest Rod Set Screw for 202490.....
200584D	23161	Pulley (loose) Oil Plug Screw for 68712.
201018C	23160	Thread Unwinder Spool Rest Set Screw for 225259.....
201696J	23160	Thread Unwinder Thread Guide Lock Nut for 225260.....
202490	23160	Thread Unwinder Spool Stand with 200383C, for 225260.....
225259	23160	Thread Unwinder Spool Rest with 201018C, for 225260.....
225260	-----	Thread Unwinder complete for one large spool or one large cone of thread, for 60773, Nos. 150203, 201696J, 202490, 225259, 225324, 225326, 225388, 225391 and three wood screws 7/8 in. No. 12.....
225322	23160	Thread Unwinder Thread Guide Rod Washer for 225324.....
225324	23160	Thread Unwinder Thread Guide Rod with 208E and 225322, for 225260.....
225326	23160	Thread Unwinder Thread Guide Position Cup for 225260.....
225388	23160	Thread Unwinder Spool Rest Rod for 225260.....
225390	23160	Thread Unwinder Thread Cone Holder for inverted cones, for 225260.....
225391	23160	Thread Unwinder Thread Guide for 225260.

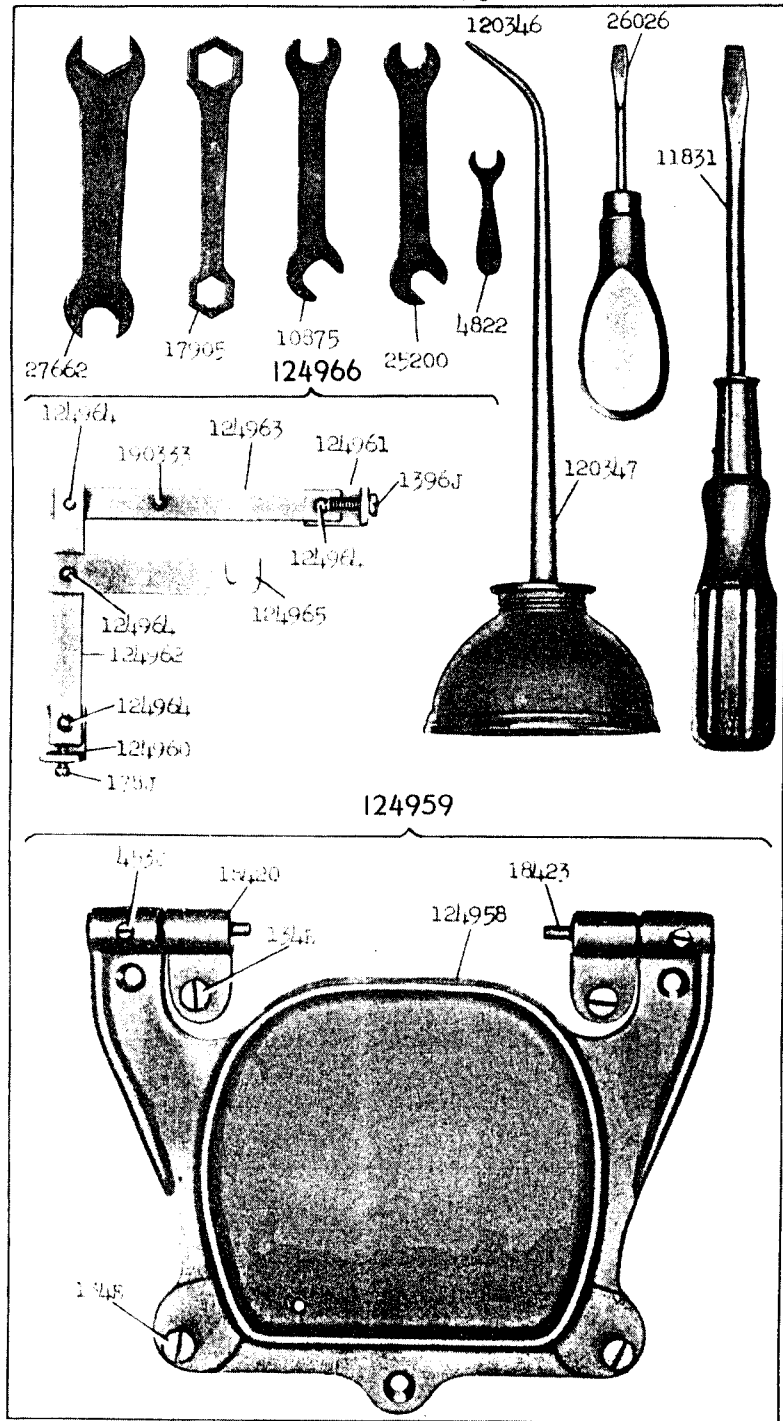
9596 - 2/3



23153 - 2/3

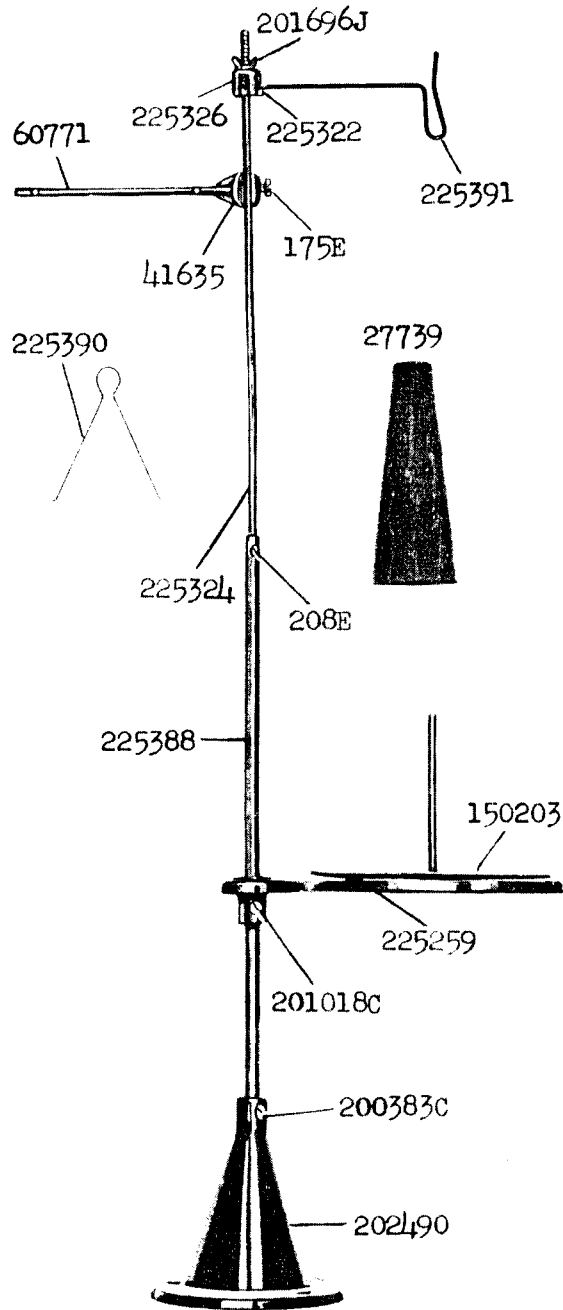


23157 - 1/3

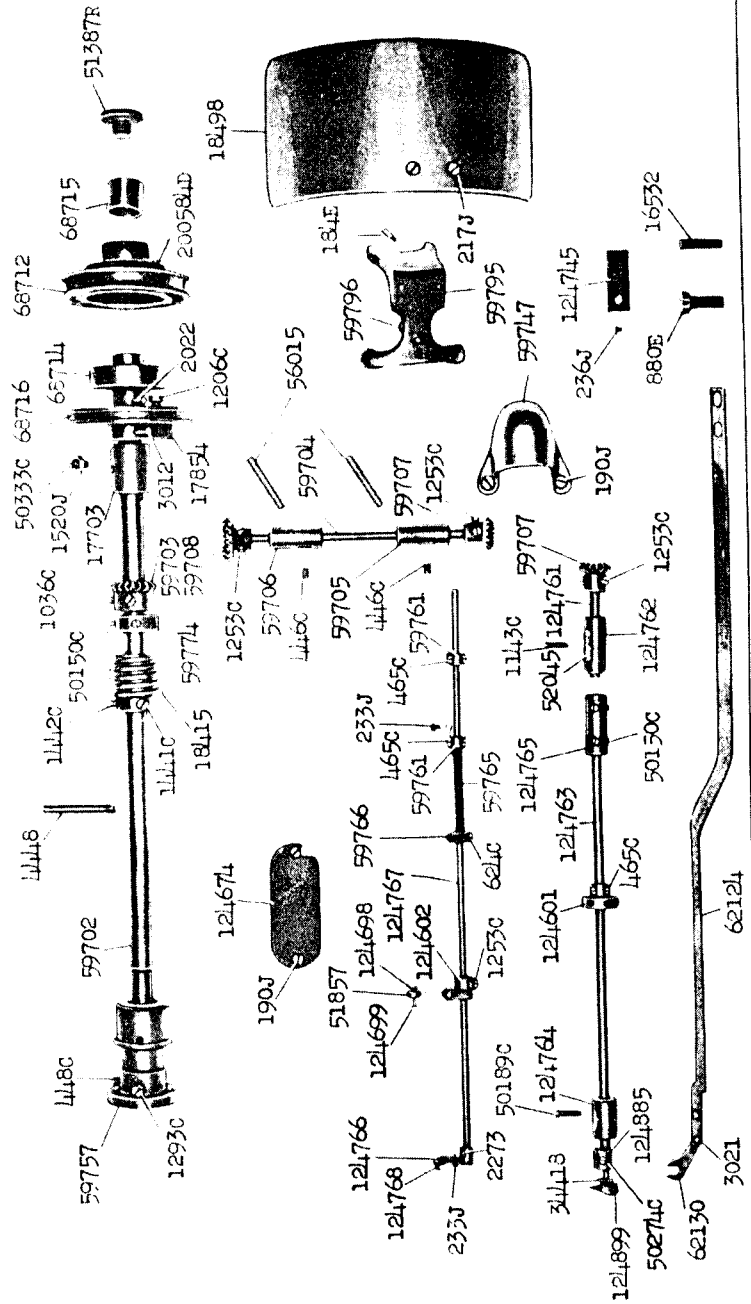


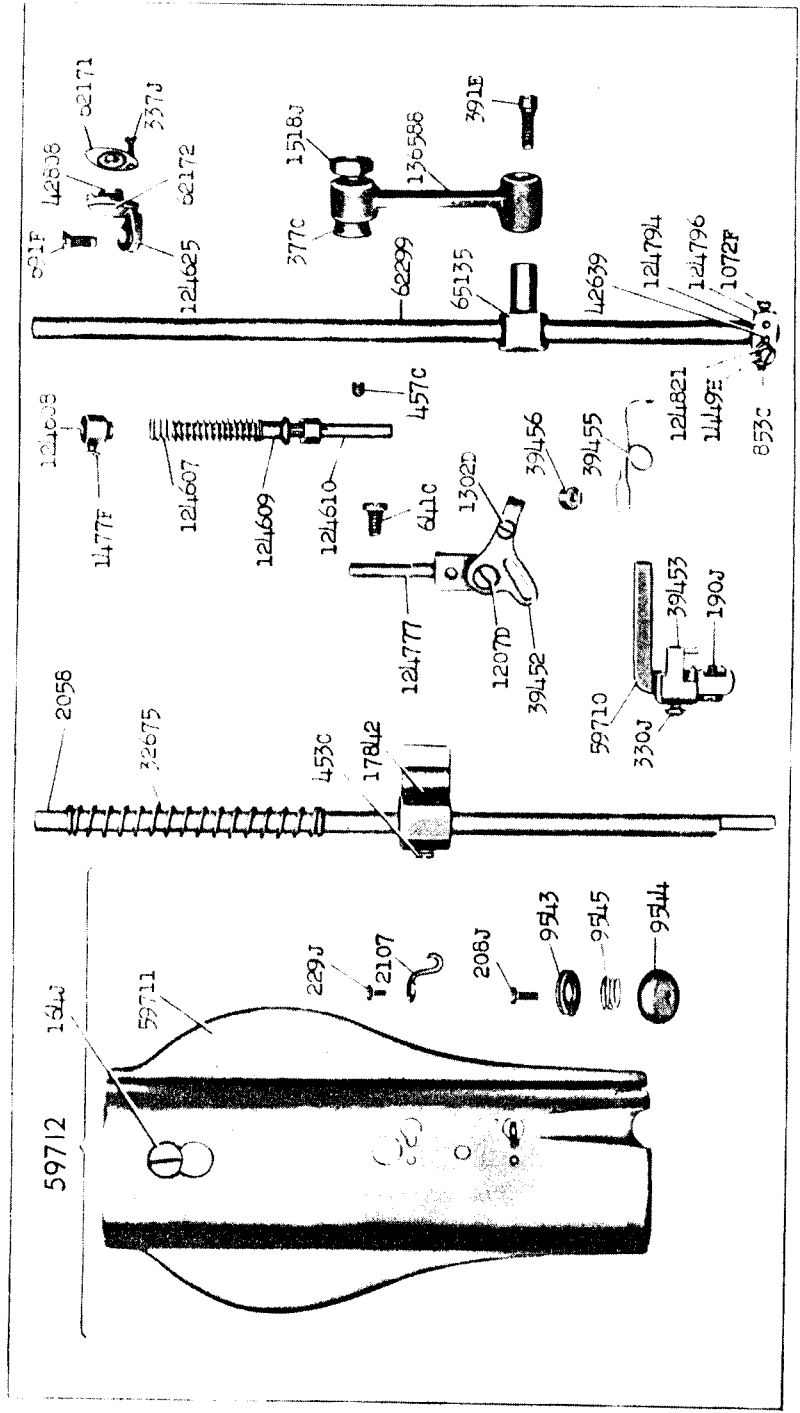
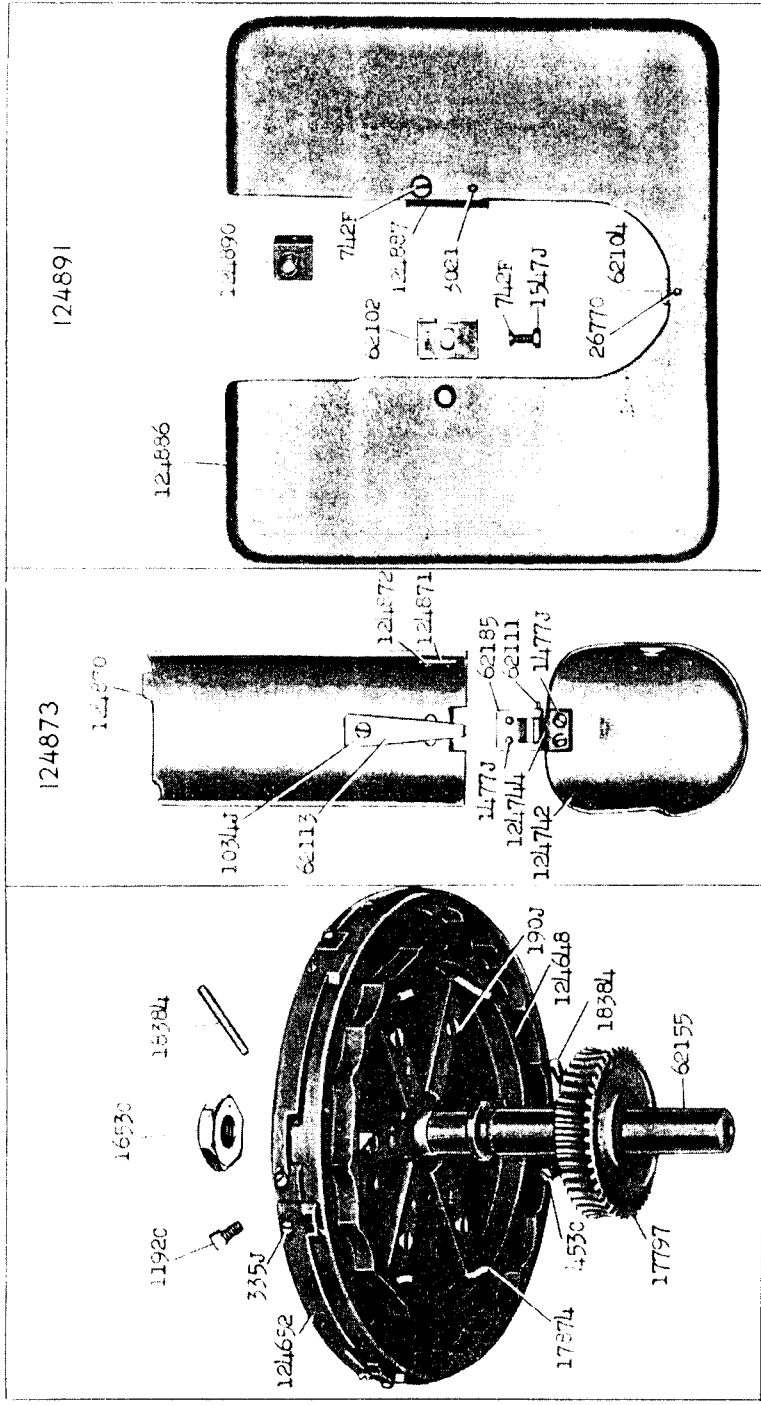
23160 - 1/4

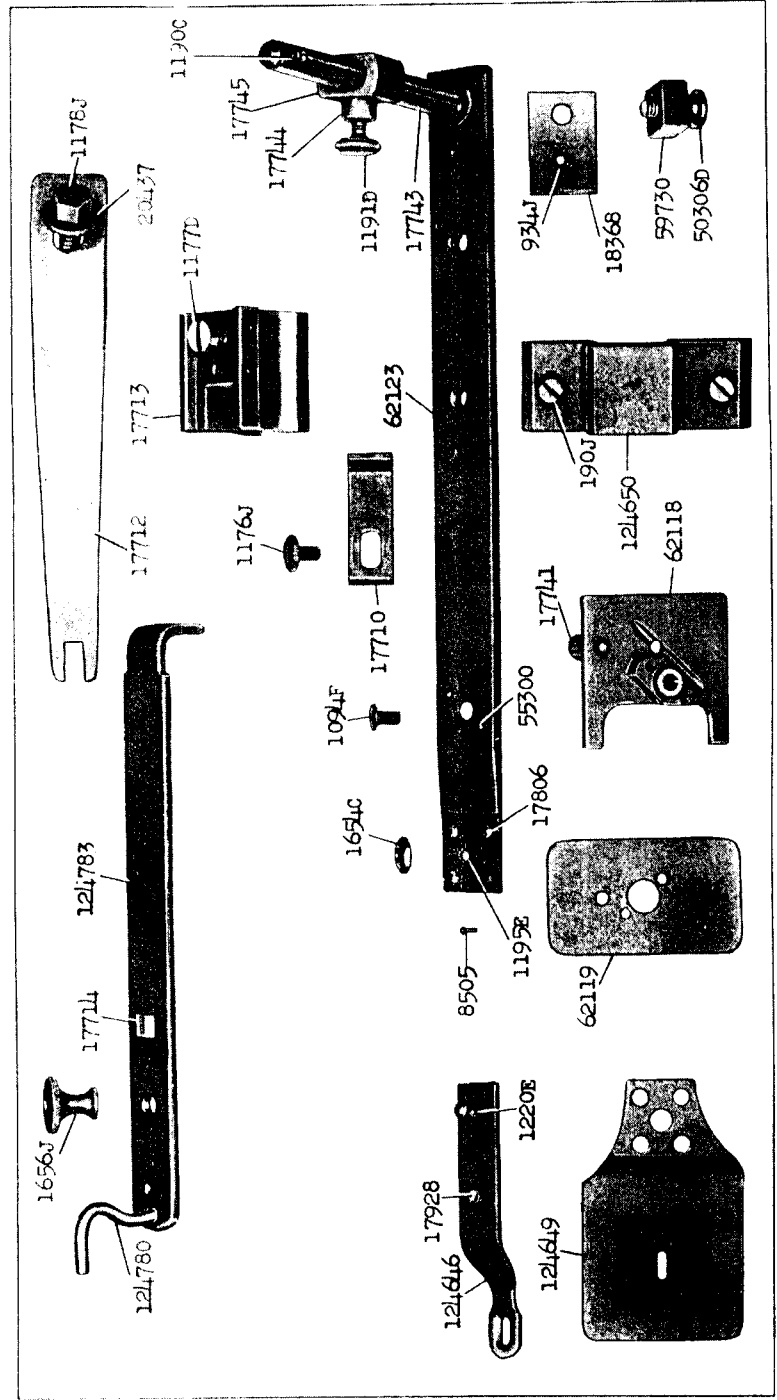
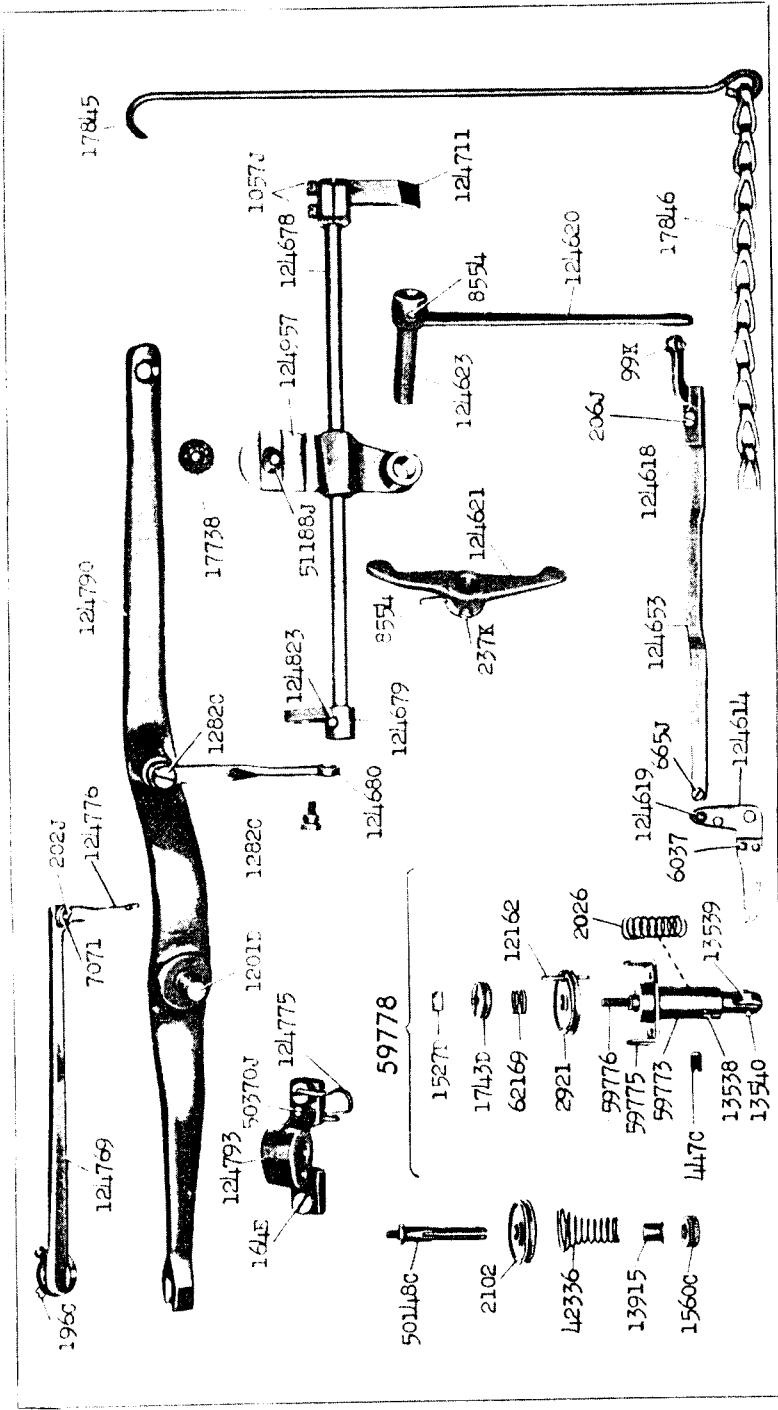
60773



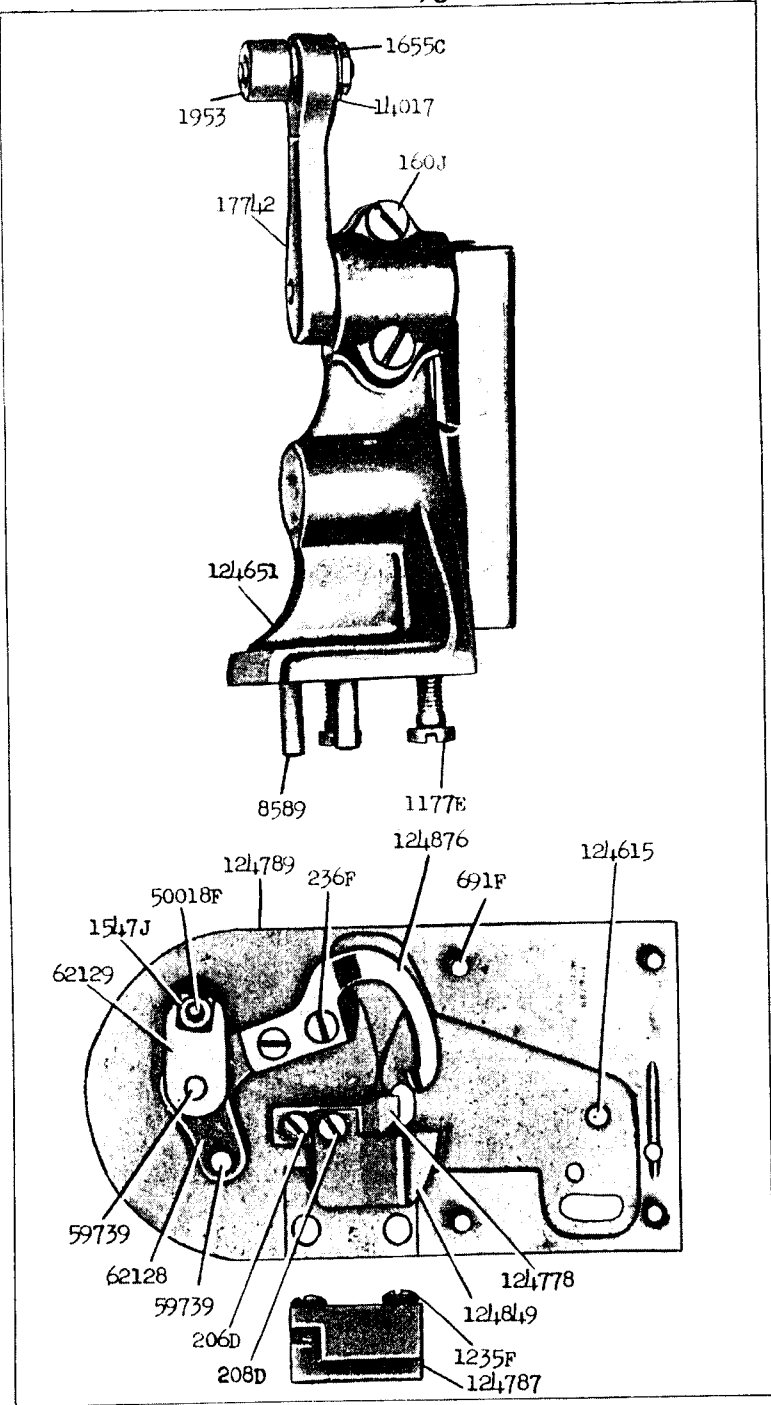
23161 - 1/4







23176 - 2/3



23177 - 2/3

