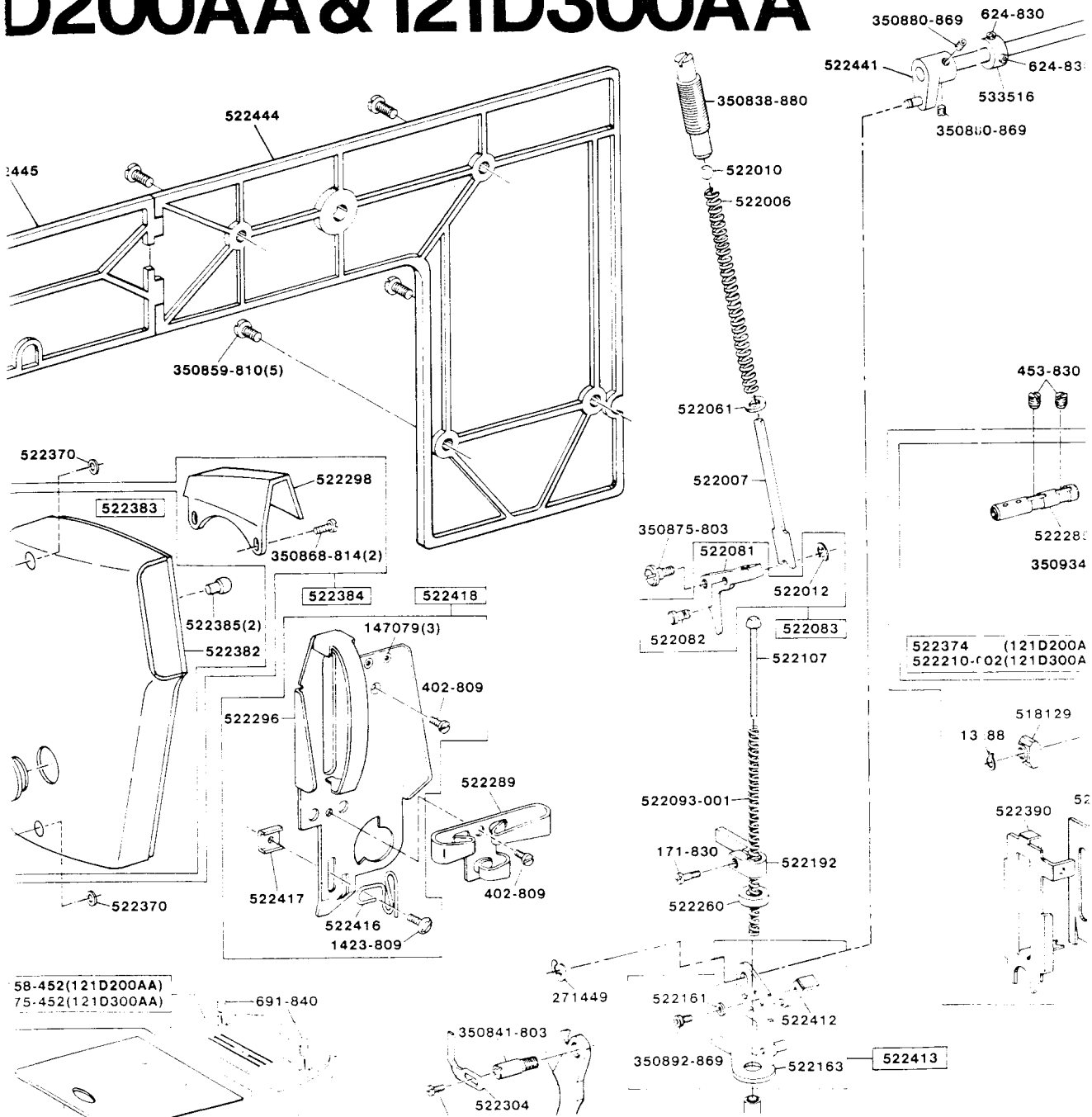
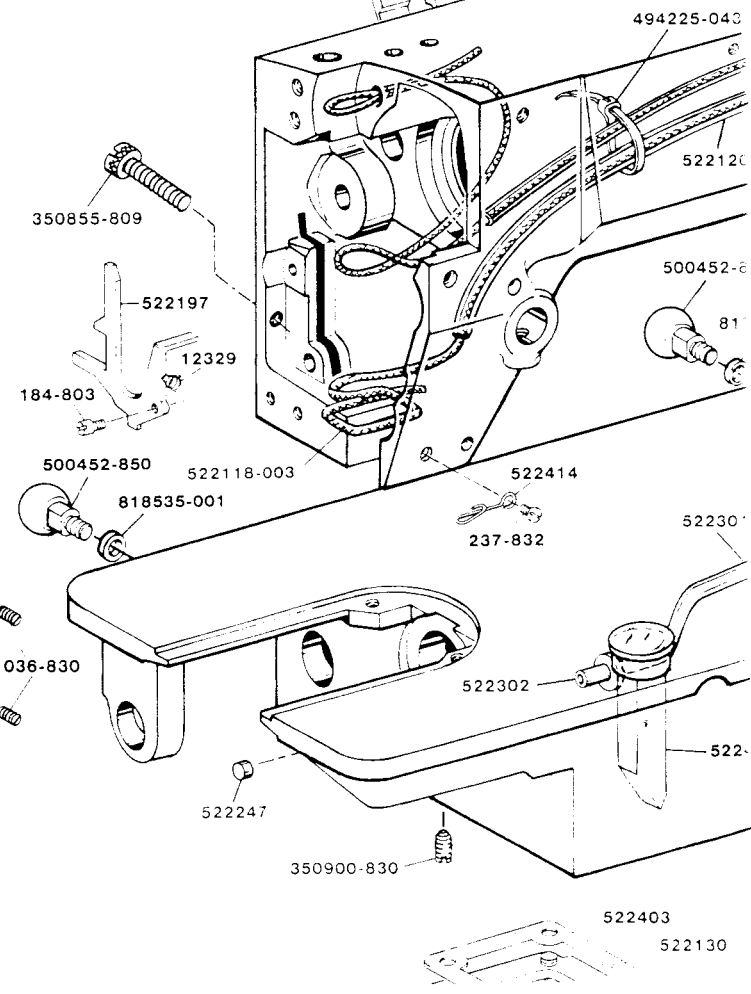
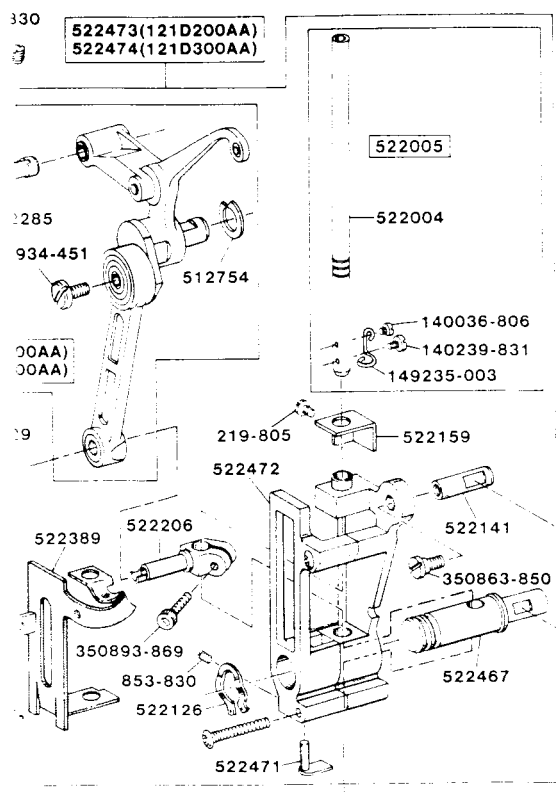
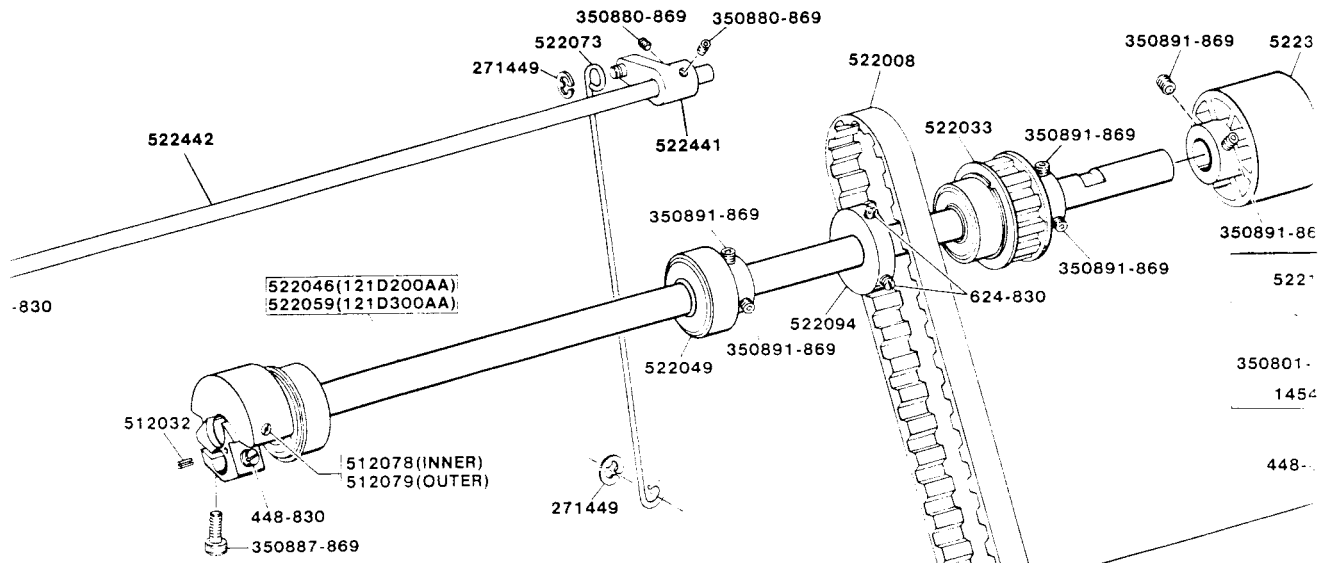


**SINGER**  
**121D200,D300**

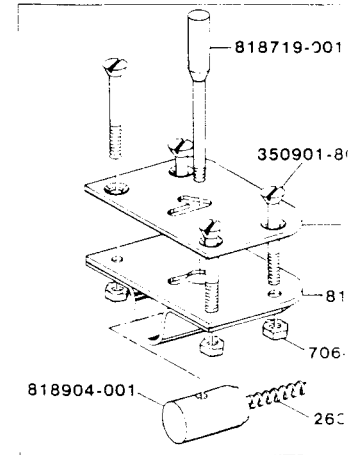
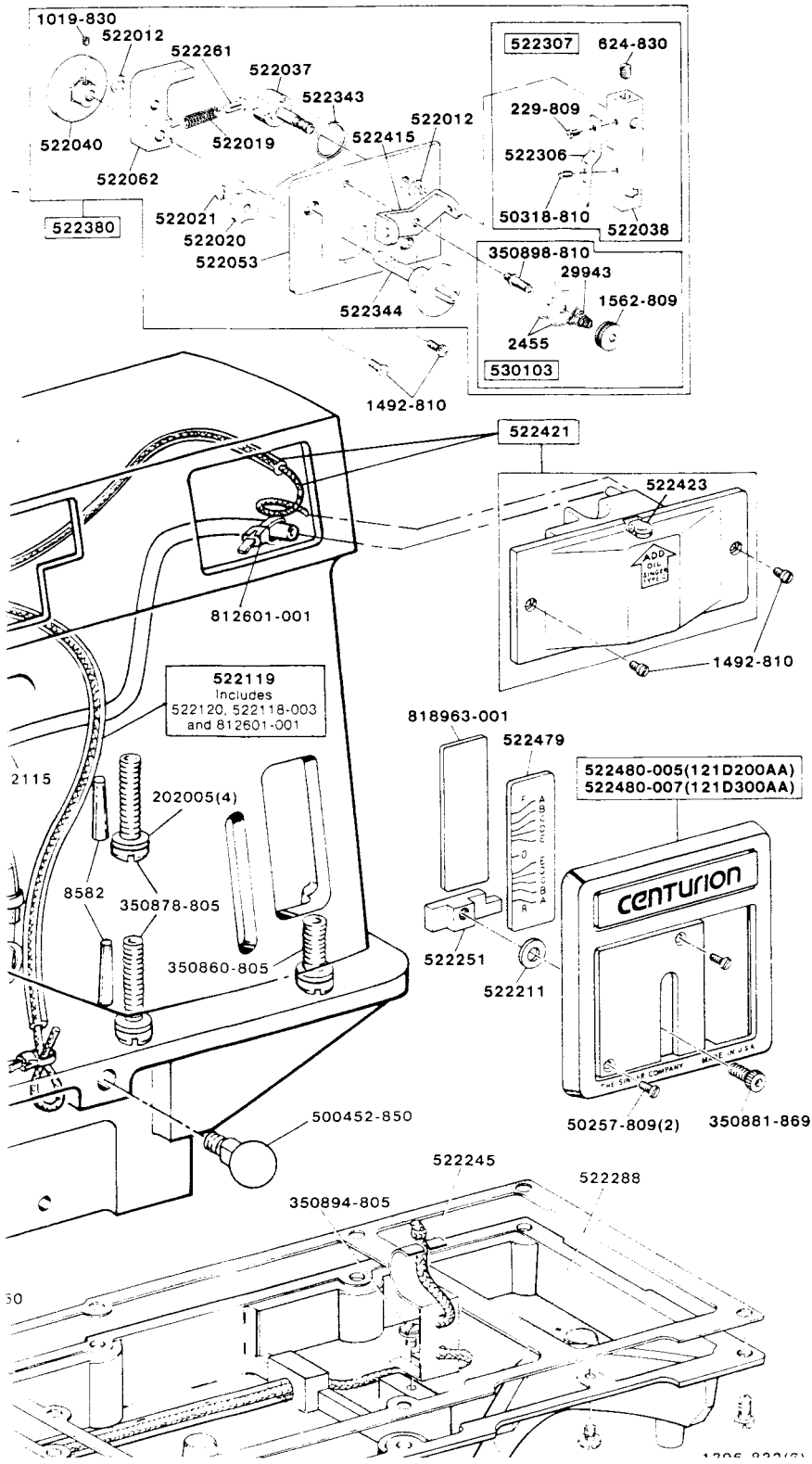
# SINGER

## D200AA & 121D300AA



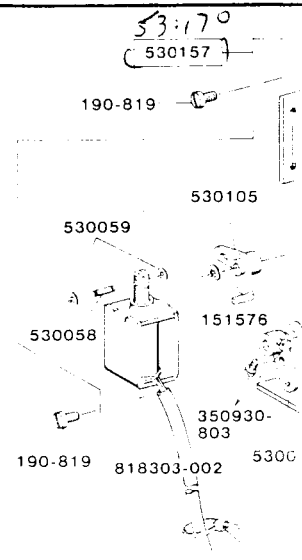


N1955



818916-001  
USED WITH ELECTRONIC  
DRIVE & CONTROL SYSTEM  
PACKAGE NO 818352-001  
818352-002 818353-001 & 818353-002

259502  
FINGER GUARD  
(OPERATOR REMOVABLE)  
FOR DOMESTIC USE



001  
 1-809(4)  
 -522329  
 -818903-001  
 06404-036(4)  
 163738



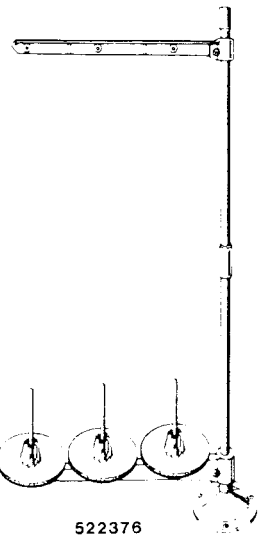
**522303**  
 NUT DRIVER FOR  
 HOOK SHAFT BUSHING  
 OIL FITTING  
 PART NO. 494161-005



**522093-002**  
 PRESSER BAR  
 COMPRESSION SPRING (LIGHT)

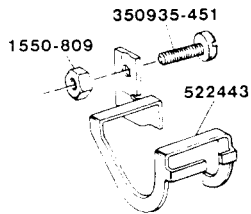


**522359**  
 FOOT CONTROLLED  
 REVERSE FEED  
 ADAPTER BRACKET



**522376**

M  
 353-002

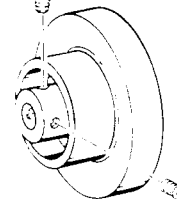


**350935-451**  
**1550-809**  
**522443**  
 FINGER GUARD  
 (NOT OPERATOR REMOVABLE)  
 FOR DOMESTIC AND EXPORT



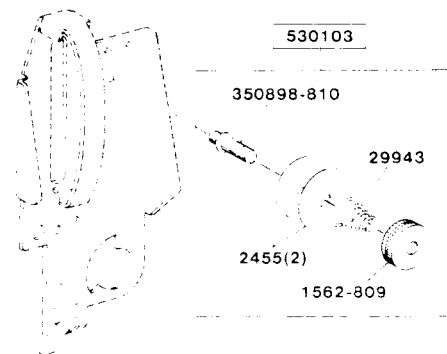
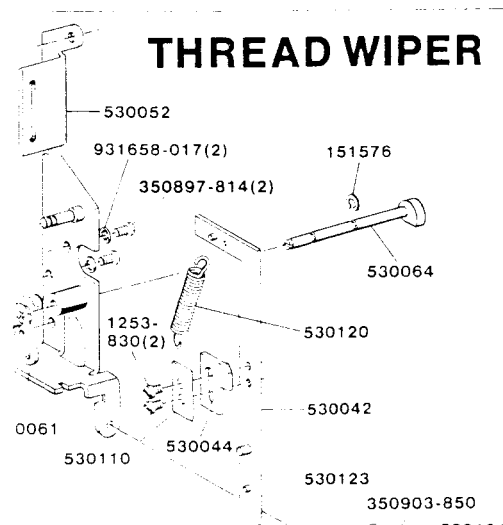
**150668**  
 KNEE LIFTER  
 PLATE PAD (RUBBER)

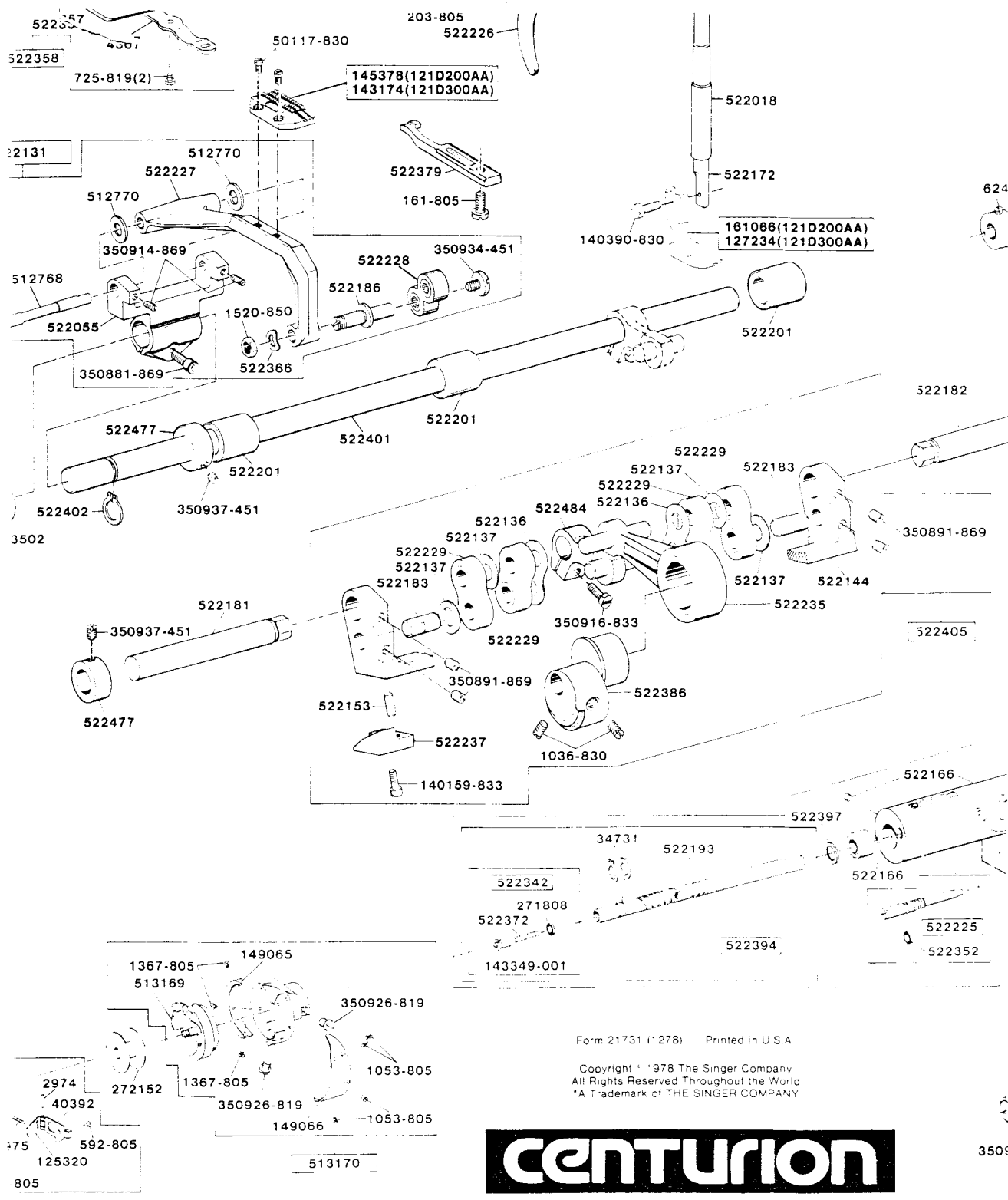
**350891-869(2)**



**522326**  
 HAND WHEEL

## OPTIONAL PARTS





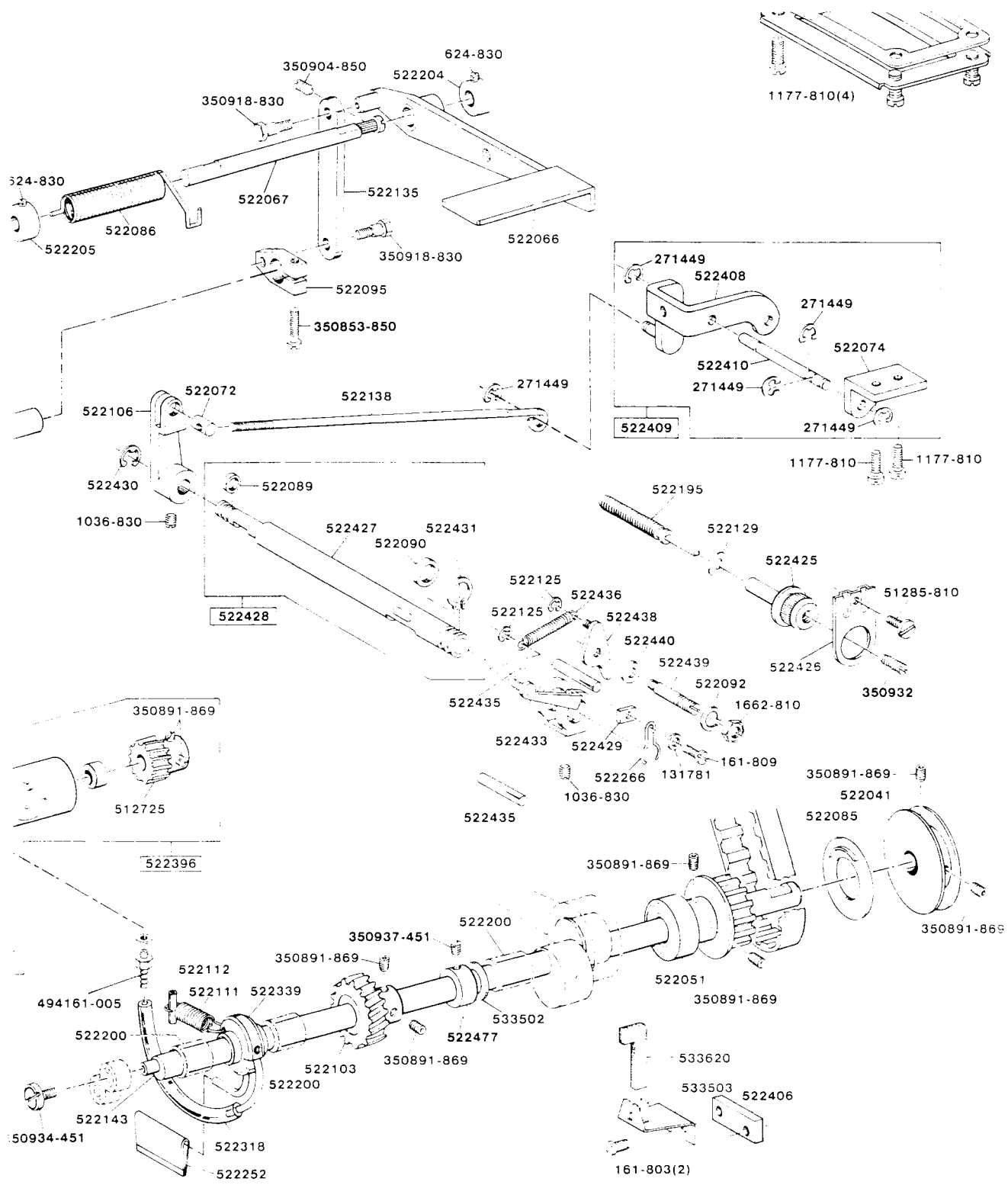
Form 21731 (1278) Printed in U.S.A.

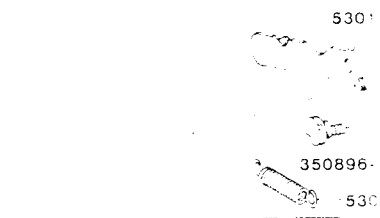
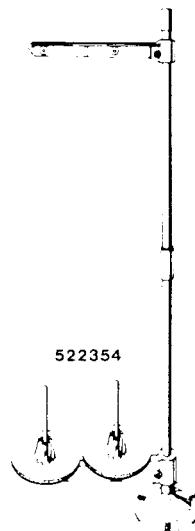
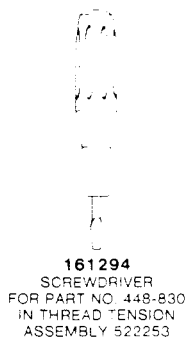
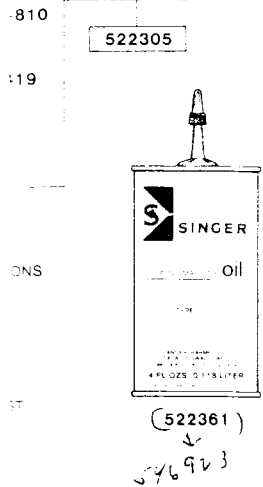
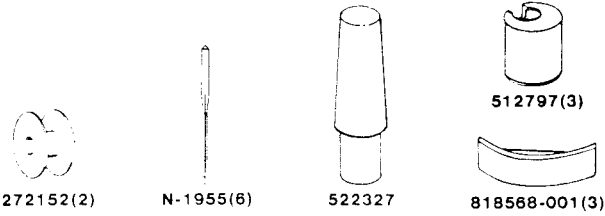
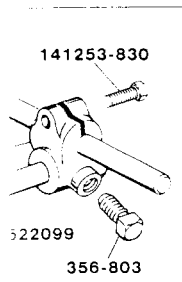
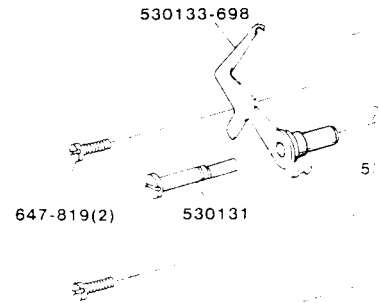
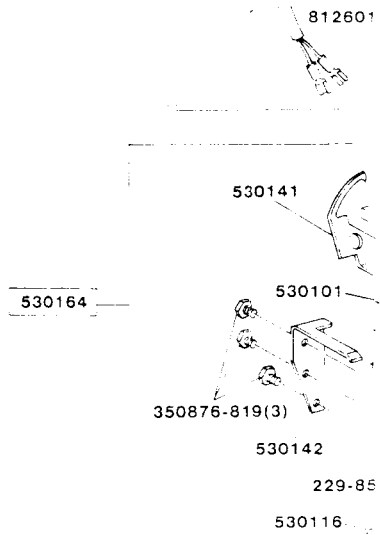
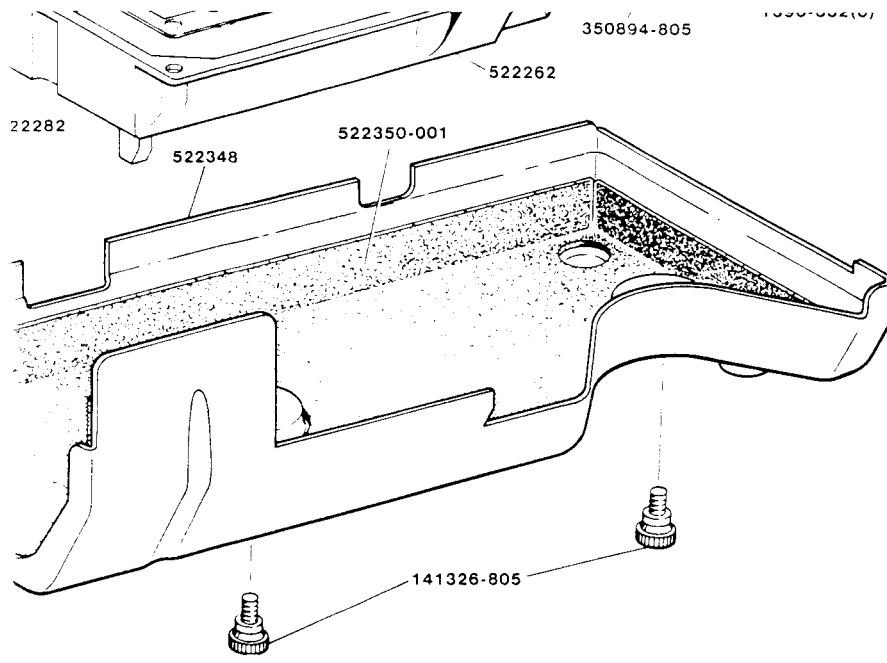
Copyright © 1978 The Singer Company  
 All Rights Reserved Throughout the World  
 \*A Trademark of THE SINGER COMPANY

**CENTURION**

624

3509

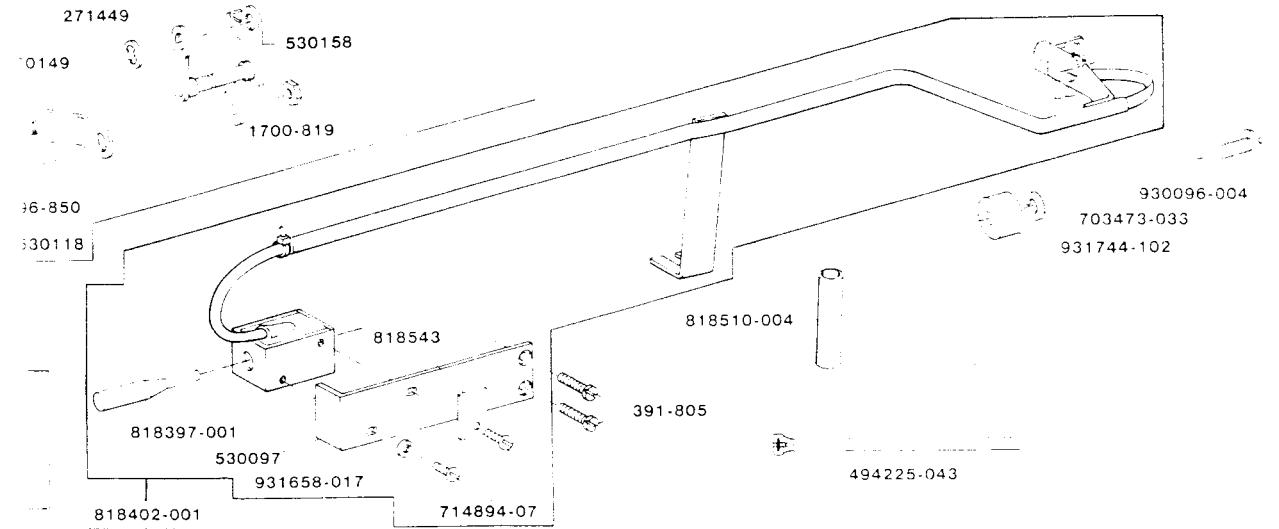
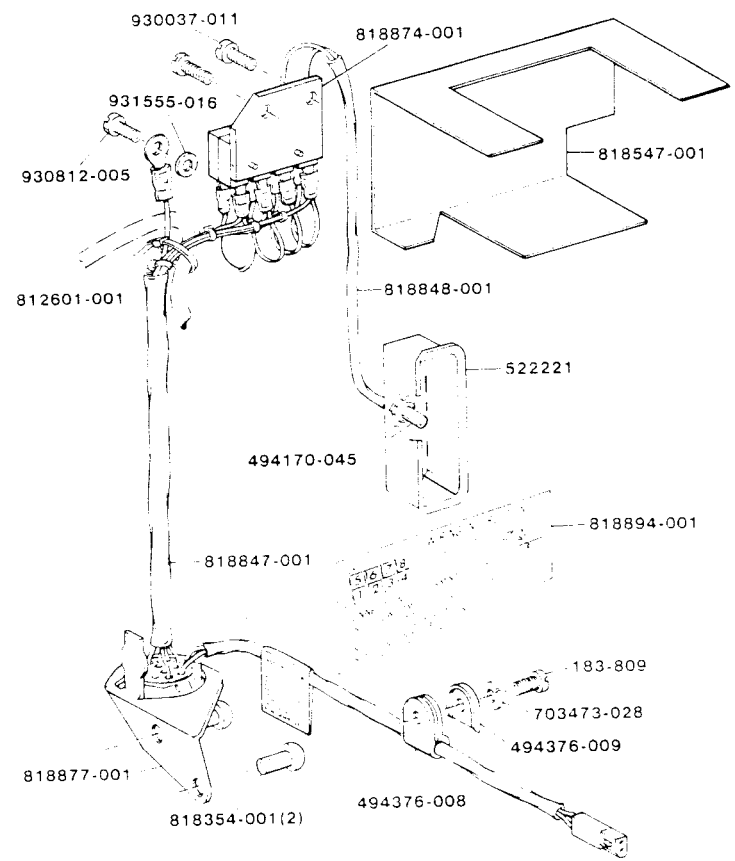
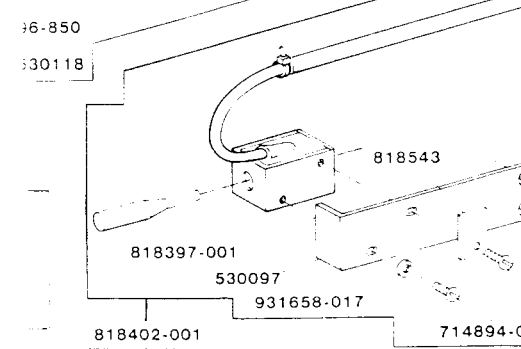
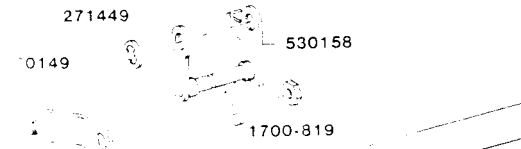
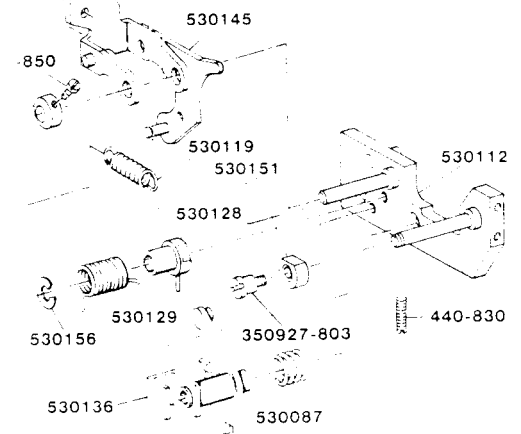
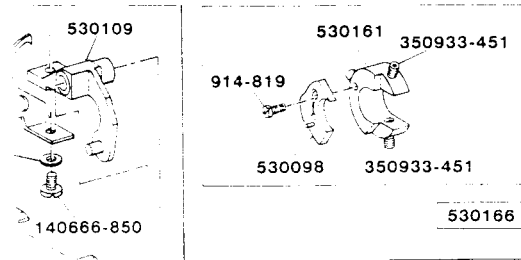
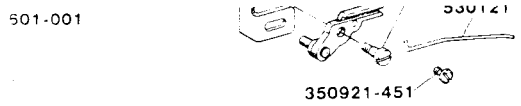




522312

# ACCESSORIES





**UNDERBED THREAD TRIMMER PARTS  
FOR 121D200BA AND 121D300BA MACHINES**