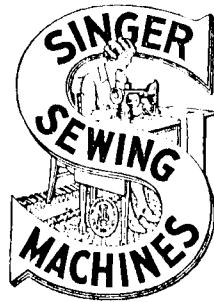


**SINGER**  
**133W100**

# LIST OF PARTS



## MACHINE No. 133w100

### INDEX

---

	PAGE
ACCESSORIES .....	15
BOBBIN WINDER .....	16
CORD GUIDE .....	18
MACHINE No. 133w100 .....	7
MISCELLANEOUS PARTS .....	17
NUMERICAL LIST OF PARTS .....	19
THREAD UNWINDER .....	17

---

THE SINGER MANUFACTURING COMPANY

# Instructions for Ordering

In ordering from this list, use **ONLY** the **PART** number in the **FIRST** column.

The number stamped on a Sewing Machine Part is the number of the Single Part only, except when the part includes Set Screws, Clamping Screws, Studs and Rollers Spun on, Small Wires riveted, or Parts soldered together, etc., which it is necessary to furnish in combination.

Every combination of parts sent out has its specific number which, although not stamped on Parts (except in above case), must be used when ordering the combination.

Each number always indicates the **SAME PART** in whatever list it appears, or for whatever Machine.

The letters after some of the numbers indicate the style of finish only, as follows:

- A. Hardened, Polished and Plated.
- B. Polished and Plated.
- C. Hardened only.
- D. Polished only.
- E. Soft, not polished.
- F. Hardened and Polished.
- H. Blued.

These letters **MUST BE USED** when they appear in the list and **AFTER** the number, as in the list.

In this series

200001 to 201500 are Screw Numbers.

201501 to 201800 are Nut Numbers.

201801 to 202000 are Roller Numbers.

202001 and upward are Numbers of Machine Parts.

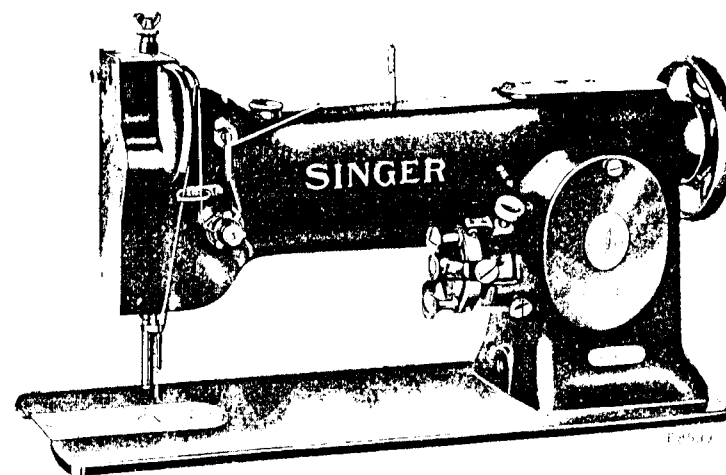
The figures in the second column refer only to the plate in which the illustration of the part is shown and are **NOT TO BE USED** in ordering.

Two or more numbers over a cut indicate that the difference between such parts is not visible in an illustration.

Parts marked with an asterisk (\*) are furnished only when repairs are made at the factory.

## LIST OF PARTS COMPLETE

FOR



## MACHINE No. 133w100

HIGH SPEED. GEAR DRIVEN ROTARY HOOK.

LOCK STITCH

For Flat Stitch Embroidery and Madeira Eyelets

No.	Plate	Name
*240801	-	Arm with 202135 .....
224002	15251	" Cap .....
200278u	15253	" " Screw .....
202248	15253	" " Washer .....
204235	15253	" Position Pin (2) .....
200010e	15253	" Screw (3) .....
202005	15253	" " Washer (3) .....
237702	15252	" Shaft with 200357r and 203100
240802	15251	" " Bushing (back) with
		202244 .....
207080	15251	Arm Shaft Bushing (front) with
		202244 .....
200502r	15253	Arm Shaft Bushing (front) Oil
		Packing Thumb Screw .....
202244	-----	Arm Shaft Bushing Oil Packing
		(wick) .....

No.	Plate	Name
200338c	15253	Arm Shaft Bushing Set Screw (2)
203100	---	" " Oil Packing (wick) ...
200357E	15253	" " " " Stop Screw ...
240803	15251	" Side Cover .....
200462B	15253	" " Cover Thumb Screw ....
223842	15252	Balance Wheel (felt groove 2 3/4 in. diam.) with 200328c and 200335c
200062H	15253	Balance Wheel Adjusting Screw ..
200328c	15253	" " Position Screw ....
200335c	15253	" " Set Screw .....
*240804	---	Bed .....
240805	15251	" Slide (front) .....
210530	15253	Bobbin .....
240806	15253	" Case Base .....
240807	15253	" " Cap with 200592c, 201016F and 240813 .....
240808	---	Bobbin Case Cap complete, Nos. 200964E, 210736, 240807 and 240810
240809	15253	Bobbin Case Latch .....
240810	---	" " " 240809 with 210735 and 240811 .....
210735	15253	Bobbin Case Latch Fulcrum Pin ..
240811	15253	" " " Lever .....
210736	15253	" " " Spring .....
200964E	15253	" " " Stop Screw ...
240813	15253	" " Tension Spring .....
201016F	15253	" " " " Regulating Screw .....
200592c	15253	Bobbin Case Tension Spring Screw
240812	15253	" " Stop .....
200082D	10881	" " " Screw .....
240814	---	Bobbin Case complete, Nos. 240806 and 240808 .....
240815	15252	Face Plate .....
202135	15253	" " Position Pin .....
200473B	15253	" " Thumb Screw .....
*240816	- -	Hook (sewing) .....
240817	15254	" 240816 with 200145c, 203101, 240819, 240864, two 1253c and three 200596E .....
240818	---	Hook and Bobbin Case complete, Nos. 240814 and 240817 .....
240819	15254	Hook Gib .....
200596E	15254	" " Screw (3) .....
203101	---	" Oil Packing (wick) .....
1253c	15254	" Set Screw .....
240820	15252	" Shaft .....
241111	15254	" " Bevel Gear with two 1253c .....

No.	Plate	Name
201318E	15251	Hook Shaft Bevel Gear Guard Oil Stop Screw .....
50234D	15254	Hook Shaft Bevel Gear Guard Oil Stop Screw .....
241171	-	Hook Shaft Bevel Gear Guard Oil Stop Screw Washer (leather) ..
121E	15254	Hook Shaft Bevel Gear Guard Screw .....
*241177	-	Hook Shaft Bevel Gear Guard Section (back) .....
*241178	-	Hook Shaft Bevel Gear Guard Section (front) .....
241179	15251	Hook Shaft Bevel Gear Guard complete, Nos. 121E, 50234D, 201518E, 241171, 241177 and 241178 .....
1253c	15251	Hook Shaft Bevel Gear Set Screw
241180	15254	" " Bushing (back) with 202423 .....
202423	-	Hook Shaft Bushing (back) Oil Packing (wick) .....
241188	15254	Hook Shaft Bushing (front) with 241189 .....
241189	-	Hook Shaft Bushing (front) Oil Packing (wick) .....
200346c	15254	Hook Shaft Bushing Set Screw (2)
240864	15254	" Washer Needle Guard .....
200145c	15251	" " " " Screw
202976	15254	Needle Bar with 200141E .....
202552	15254	" " Connecting Link .....
202333	15254	" " " " Stud with 202254 .....
202254	-	Needle Bar Connecting Link Stud Oil Packing (wick) .....
200374c	15256	Needle Bar Connecting Link Stud Set Screw .....
200383c	15256	Needle Bar Connecting Link Stud Set Screw .....
*206891	---	Needle Bar Connecting Stud ....
202329	15256	" " " " 206891 with 200086c and 202330 .....
202330	---	Needle Bar Connecting Stud Oil Packing (wick) .....
200086c	15256	Needle Bar Connecting Stud Pinch Screw .....
210725	15251	Needle Bar Crank with 200335c, 200374c, 200383c, 200428c and 202333 .....

No.	Plate	Name
203172	15256	Needle Bar Crank Friction Washer
200428c	15256	" " " Position Screw...
200335c	15253	" " " Set Screw .....
240821	15251	" " Rock Frame .....
240822	15256	" " " Hinge Stud (eccentric) .....
200347c	15256	Needle Bar Rock Frame Hinge Stud Set Screw .....
240823	15256	Needle Bar Rock Frame Hinge Stud Sleeve (split) .....
202666	15256	Needle Bar Rock Frame Position Bracket .....
200098c	15256	Needle Bar Rock Frame Position Bracket Screw .....
240824	15252	Needle Bar Rock Frame Rock Shaft
240870	-----	" " " " " "
		240824 with 200387c and 210920..
240825	15251	Needle Bar Rock Frame Rock Shaft Crank with 200036c .....
240826	15255	Needle Bar Rock Frame Rock Shaft Crank Connection .....
201306c	15256	Needle Bar Rock Frame Rock Shaft Crank Connection Hinge Screw (2) .....
201522c	15256	Needle Bar Rock Frame Rock Shaft Crank Connection Hinge Screw Nut (2) .....
200036c	15256	Needle Bar Rock Frame Rock Shaft Crank Pinch Screw .....
202668	15256	Needle Bar Rock Frame Slide Block
210920	-----	" " " " " "
		202668 with 201141c .....
201141c	15256	Needle Bar Rock Frame Slide Block Stud .....
200387c	15256	Needle Bar Rock Frame Slide Block Stud Set Screw .....
200141c	15256	Needle Set Screw .....
240827	15255	" Vibrating Cam and Gear
240828	15255	" " " " "
		Driving Gear with two 200363c..
200363c	15256	Needle Vibrating Cam and Gear Driving Gear Set Screw .....
240832	15255	Needle Vibrating Cam and Gear Shaft .....
213141	15256	Needle Vibrating Cam and Gear Shaft Collar with two 200393c ..
200393c	15256	Needle Vibrating Cam and Gear Shaft Collar Set Screw .....
200327c	15256	Needle Vibrating Cam and Gear Shaft Set Screw .....

No.	Plate	Name
240829	15255	Needle Vibrating Fork Lever with 200404c .....
240830	15255	Needle Vibrating Fork Lever Con- nection Lever .....
240831	15256	Needle Vibrating Fork Lever Con- nection Lever Hinge Stud .....
202574	15256	Needle Vibrating Fork Lever Con- nection Lever Hinge Stud Collar with 200380c .....
200380c	15256	Needle Vibrating Fork Lever Con- nection Lever Hinge Stud Collar Set Screw .....
200374c	15256	Needle Vibrating Fork Lever Con- nection Lever Hinge Stud Set Screw .....
200973c	15256	Needle Vibrating Fork Lever Hinge Screw .....
201522c	15256	Needle Vibrating Fork Lever Hinge Screw Nut .....
240833	15255	Needle Vibration Regulating Bell Crank with 200378c and 201220c
240834	15255	Needle Vibration Regulating Bell Crank Link .....
240835	15256	Needle Vibration Regulating Bell Crank Link Hinge Pin .....
200404c	15256	Needle Vibration Regulating Bell Crank Link Hinge Pin Set Screw
350270c	15256	Needle Vibration Regulating Bell Crank Link Hinge Screw .....
201522c	15256	Needle Vibration Regulating Bell Crank Link Hinge Screw Nut ..
201220c	15256	Needle Vibration Regulating Bell Crank Position Screw .....
200378c	15256	Needle Vibration Regulating Bell Crank Set Screw .....
240836	15255	Needle Vibration Regulating Brack- et with 201233c .....
240837	15255	Needle Vibration Regulating Brack- et Collar with two 200387c .....
200387c	15256	Needle Vibration Regulating Brack- et Collar Set Screw .....
201170c	15256	Needle Vibration Regulating Brack- et Locking Thumb Screw .....
240838	15256	Needle Vibration Regulating Brack- et Locking Thumb Screw Pack- ing (brass) .....
240846	15258	Needle Vibration Regulating Brack- et Position Lever with 200337c, 200440c, 201534c and two 200363c

No.	Plate	Name
200696e	15256	Needle Vibration Regulating Bracket Position Lever Locking Screw Stud .....
240841	15257	Needle Vibration Regulating Bracket Position Lever Locking Screw Stud Bushing .....
200363c	15256	Needle Vibration Regulating Bracket Position Lever Locking Screw Stud Bushing Set Screw .....
224348	15257	Needle Vibration Regulating Bracket Position Lever Locking Screw Stud Cap .....
205526	15257	Needle Vibration Regulating Bracket Position Lever Locking Screw Stud Spring .....
200440c	15257	Needle Vibration Regulating Bracket Position Lever Position Screw
200363c	15256	Needle Vibration Regulating Bracket Position Lever Set Screw .....
240842	15252	Needle Vibration Regulating Lever with 201007c and 201170c .....
240843	15255	Needle Vibration Regulating Lever Connection .....
200242n	15257	Needle Vibration Regulating Lever Connection Hinge Screw (lower)
200670c	15257	Needle Vibration Regulating Lever Connection Hinge Screw (upper)
201170c	15256	Needle Vibration Regulating Lever Operating Rod Thumb Screw .....
201007c	15257	Needle Vibration Regulating Lever Set Screw .....
240845	15258	Needle Vibration Regulating Lever Shaft .....
240839	15255	Needle Vibration Stop Lever .....
240840	-----	" " " " 240839 with 200374c, 200440c, 201170c, two each 200337c and 201534c .....
200440c	15257	Needle Vibration Stop Lever Position Screw .....
200374c	15256	Needle Vibration Stop Lever Set Screw .....
240847	15258	Needle Vibration Stop Lever Shaft
201233c	15257	" " " " Stop Screw (lower) .....
200337c	15257	Needle Vibration Stop Lever Stop Screw (upper) .....
201534c	15257	Needle Vibration Stop Lever Stop Screw (upper) Nut .....
350272e	15257	Needle Vibration Stop Lever Stop Screw Stud (2) .....

No.	Plate	Name
201718d	15257	Needle Vibration Stop Lever Stop Screw Stud Thumb Nut (2) .....
201170e	15256	Needle Vibration Stop Lever Thumb Set Screw .....
240848	15258	Presser Bar (hollow) .....
207072	15257	" " Bushing .....
200352c	15257	" " " Set Screw .....
202554	15257	" " Lifter .....
200653c	15257	" " " Hinge Screw .....
240849	15257	" " Lifting Bracket with two 200387c .....
200387c	15256	Presser Bar Lifting Bracket Set Screw .....
240850	15258	Presser Bar Position Guide .....
202338	15257	" " " " Lever with 200086f .....
200086f	15256	Presser Bar Position Guide Lever Pinch Screw .....
200352c	15257	Presser Bar Position Guide Set Screw .....
208159	15257	Presser Bar Spring .....
200494b	15257	" " Thumb Screw (pressure regulating) .....
200475b	15257	Presser Bar Thumb Screw Thumb Set Screw .....
202355	15257	Presser Bar Thumb Screw Thumb Set Screw Packing (brass) .....
240855	15258	Presser Foot Clamping Rod .....
201644b	15257	" " " " Thumb Nut .....
237762	15259	Take-up Lever .....
202399	15259	" " Driving Stud with 202277 .....
202277	-----	Take up Lever Driving Stud Oil Packing (wick) .....
202400	15259	Take up Lever Hinge Stud with 202423 .....
202423	-----	Take up Lever Hinge Stud Oil Packing (wick) .....
200383c	15256	Take up Lever Hinge Stud Set Screw .....
202401	-----	Take up Lever Oiling Felt .....
200132e	15259	" " " " Screw .....
244007	15259	Tension Disc (back) .....
244008	15259	" " (front) .....
202405	15259	" Release Washer .....
202407	10881	" Spring .....
200625f	15259	" Stud with 204925 .....
200061c	15259	" " Set Screw .....
204925	15259	" " Washer .....

No.	Plate	Name
201572B	10881	Tension Thumb Nut .....
202409	- - -	Tension complete, Nos. 200625F, 201572B, 202405, 202407, 202410, 244007 and 244008 .....
202410	15259	Thread Controller Spring .....
202411	15259	" " " Stop .....
200132E	15259	" " " " Screw .....
224028	15259	" Guide .....
224387	15259	" " .....
236007	15259	" " (upper) .....
200175H	15259	" " Screw .....
200582H	15259	" " (2) .....
240034	15259	" Retainer .....
200366H	15259	" " Set Screw .....
240856	15258	Throat Plate .....
233201	15260	" " Needle Plate .....
240857	15260	" " " " Locking Slide .....
200177E	15260	Throat Plate Needle Plate Locking Slide Screw (2) .....
200577H	15260	Throat Plate Screw (2) .....
240860	15258	Vertical Shaft .....
241111	15254	" " Bevel Gear (lower) with two 1253c .....
241114	15260	Vertical Shaft Bevel Gear (upper) with two 1253c .....
1253c	15254	Vertical Shaft Bevel Gear Set Screw .....
241182	15261	Vertical Shaft Bushing (lower), $\frac{5}{8}$ in. diam., with 202423 .....
202423	- - -	Vertical Shaft Bushing (lower) Oil Packing (wick) .....
240863	15261	Vertical Shaft Bushing (upper) with 202423 .....
202423	- - -	Vertical Shaft Bushing (upper) Oil Packing (wick) .....
200327c	15256	Vertical Shaft Bushing Set Screw (2) .....
240861	15260	Vertical Shaft Driving Gear with two 200363c .....
200363c	15256	Vertical Shaft Driving Gear Set Screw .....

## ACCESSORIES

No.	Plate	Name
210530	15253	Bobbin (5) .....
*225482	- - -	" Case Screw Driver Blade .....
*225483	- - -	" " " " Handle .....
225497	12345	Bobbin Case Screw Driver com- plete, Nos. 225482 and 225483 ..
234468	15260	Eyelet Piercer with 200473B .....
234469	15260	" " Holder .....
200473B	15253	" " Thumb Screw .....
234470	- - -	Eyelet Piercer (adjustable), for eyelets from $\frac{3}{16}$ to $\frac{1}{4}$ in. diam., complete, Nos. 234468 and 234469
234462	- - -	Eyelet Punch, .067 in. diameter ..
234463	- - -	" " .055 in. diameter ..
234464	- - -	" " $\frac{3}{16}$ in. diameter .....
234465	- - -	" " $\frac{5}{16}$ in. diameter .....
234466	- - -	" " $\frac{3}{8}$ in. diameter .....
234467	15260	" " $\frac{1}{2}$ in. diameter .....
240851	15260	Presser Foot, for Eyelets $\frac{3}{16}$ in. diameter .....
240852	- - -	Presser Foot, for Eyelets $\frac{1}{4}$ in. diameter .....
240853	- - -	Presser Foot, for Eyelets $\frac{5}{16}$ in. diameter .....
240854	- - -	Presser Foot, for Eyelets $\frac{3}{8}$ in. diameter .....
240858	15260	Throat Plate Spur, for Eyelets $\frac{3}{16}$ in. diameter .....
240859	- - -	Throat Plate Spur, for Eyelets $\frac{1}{4}$ in. diameter .....
234446	- - -	Throat Plate Spur, for Eyelets $\frac{5}{16}$ in. diameter .....
234513	- - -	Throat Plate Spur, for Eyelets $\frac{3}{8}$ in. diameter .....
135 x 9	- - -	Needles, two each, sizes 10, 12 and 14 .....
208676	- - -	Embroidery Hoop .....
41400	12345	Machine Rest Pin (wood) .....
120342	12345	Oiler (copper plated) with 120343
120343	12345	" Spout, $3\frac{1}{2}$ in. long .....
*225484	- - -	Screw Driver Blade .....
*225485	- - -	" " Handle .....
225498	12345	Screw Driver complete (7 $\frac{1}{2}$ in. long), Nos. 225484 and 225485 ..
234484	- - -	Eyelet Punch Cutting Block (fibre)
234485	- - -	" " Mallet (wood) .....

No.	Plate	Name
240871	----	Drip Pan with four 1 in. wire nails
12361	15261	Machine Hinge Connection (2) ..
240844	15252	Needle Vibration Regulating Lever Operating Rod .....
240862	----	Needle Vibration Regulating Lever Operating Rod 240844 with 2767
2767	15252	Needle Vibration Regulating Lever Operating Rod Knee Plate with 356e .....
356e	15261	Needle Vibration Regulating Lever Operating Rod Knee Plate Set Screw .....
225554	12345	Wrench (steel) .....

#### BOBBIN WINDER

##### Swing Automatic, Right Hand

225453	10884	Frame with 202277 and 225438 ....
225454	10884	" Hinge Pin .....
202277	---	" Oil Packing (wick) .....
225438	10884	" " Well Cap .....
225455	10884	" Spring .....
225456	10884	" " Plunger .....
202473	10885	Pulley with 200380e .....
200380e	15256	" Set Screw .....
225381	10884	Spindle .....
225444	10884	Stop Latch .....
200056e	10884	" " Screw .....
225458	10884	" " Thumb Lever .....
225459	10884	" " " " Hinge Stud
225459	10884	" " " " Joint Stud
202478	10884	" " Trip Lever .....
200299H	10884	" " " " Hinge Screw
225461	10881	Tension Bracket with 201499e ....
200082D	10881	" " Screw .....
228026	10884	" " " Washer .....
2102	10881	" Disc .....
202407	10881	" Spring .....
201499B	10881	" Stud .....
201572B	10881	" " Thumb Nut .....
225462	10881	Bobbin Winder Tension Bracket complete, Nos. 201572B, 202407, 225461 and two 2102 .....
225433	10885	Bobbin Winder and Tension Brack- et Base .....

No.	Plate	Name
225382	10885	Universal Bobbin Winder complete, Nos. 200056e, 200082D, 200299H, 202473, 202478, 225381, 225433, 225444, 225453 to 225456, 225458, 225462, 228026, two each 225459 and wood screws $\frac{3}{4}$ in., No. 12, R.H.B. ....

#### THREAD UNWINDER

225395	14263	Spool Rest (for two spools) with 201018e .....
225388	14263	Spool Rest Rod .....
200383e	15256	" " " Set Screw .....
201018e	15261	" " Set Screw .....
202490	14263	" Stand with 200383e .....
225391	14263	Thread Guide .....
201696A	15261	" " Lock Nut .....
225324	14263	" " Rod with 208e and 225322 .....
208e	15261	Thread Guide Rod Screw .....
225322	---	" " " Washer .....
225326	15261	" " Position Cup .....
225396	14263	Thread Unwinder (for two spools) complete, Nos. 201696A, 202490, 225324, 225326, 225388, 225395, two 225391 and three wood screws $\frac{3}{4}$ in., No. 12 .....

## MISCELLANEOUS PARTS

### Used in conjunction with Thread Unwinder

60913	14263	Spool Weight with 60914 .....
60914	----	" " Center Pin .....
225377	14263	" Wire, for small spools .....



**CORD GUIDE**

No.	Plate	Name
233216	15261	Cord Guide Tube .....
1422B	15261	" " " Set Screw .....
240865	15261	" " " Holder with 2273 and two 1422B .....
1422B	15261	Cord Guide Tube Holder Adjusting Screw .....
2273	15261	Cord Guide Tube Holder Hinge Pin
240866	15261	" " " " Spring ...
240867	15261	" " Lever with 837B and 1674B .....
837B	15261	Cord Guide Lever Adjusting Screw
1674B	15261	" " " " " "
		Lock Nut .....
240868	15261	Cord Guide Lever Bracket with 201320D .....
201320D	15261	Cord Guide Lever Bracket Clamp Screw .....
19044	15261	Cord Guide Lever Friction Washer
350129E	15261	" " " Hinge Screw ...
201531E	15261	" " " " " Nut
240869		Cord Guide complete, Nos. 19044, 201531E, 233216, 240865 to 240868 and 350129E .....

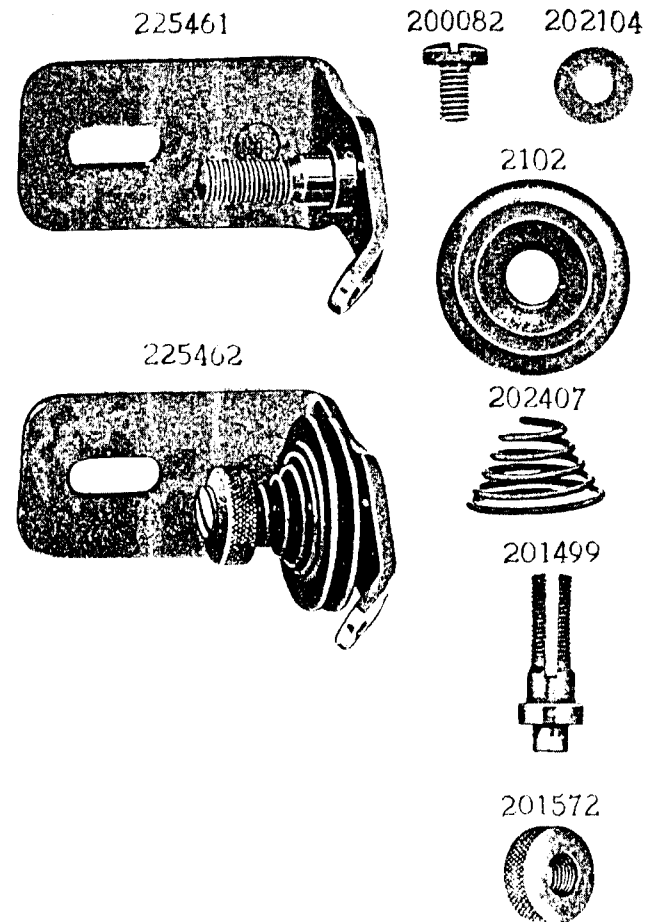
**PLATE 10881—FULL SIZE**

PLATE 10884—FULL SIZE

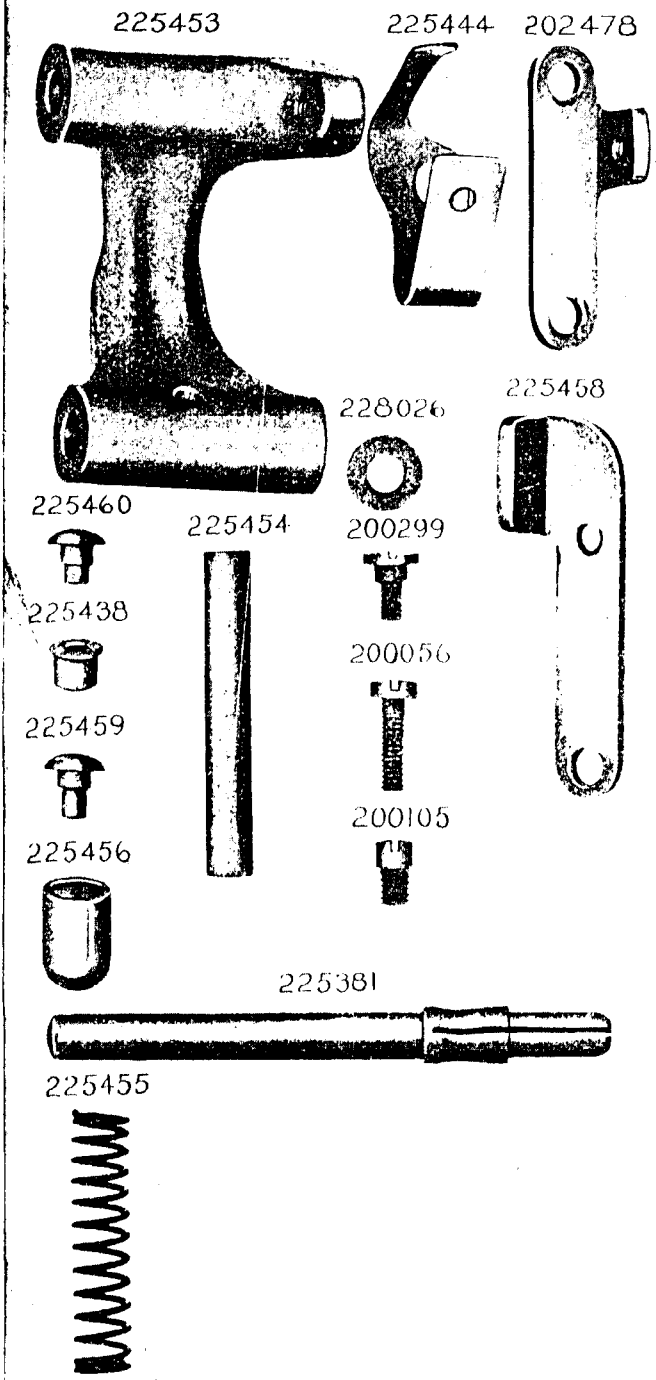


PLATE 10885—ONE-FOURTH SIZE

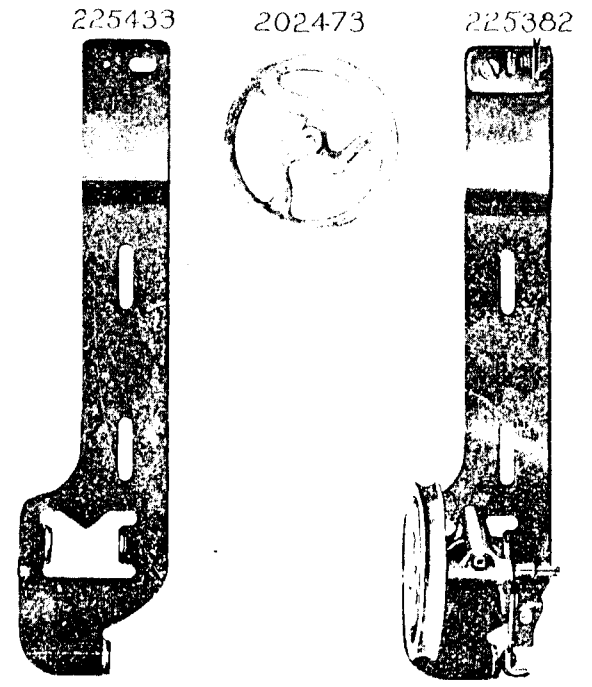


PLATE 12345—ONE-HALF SIZE

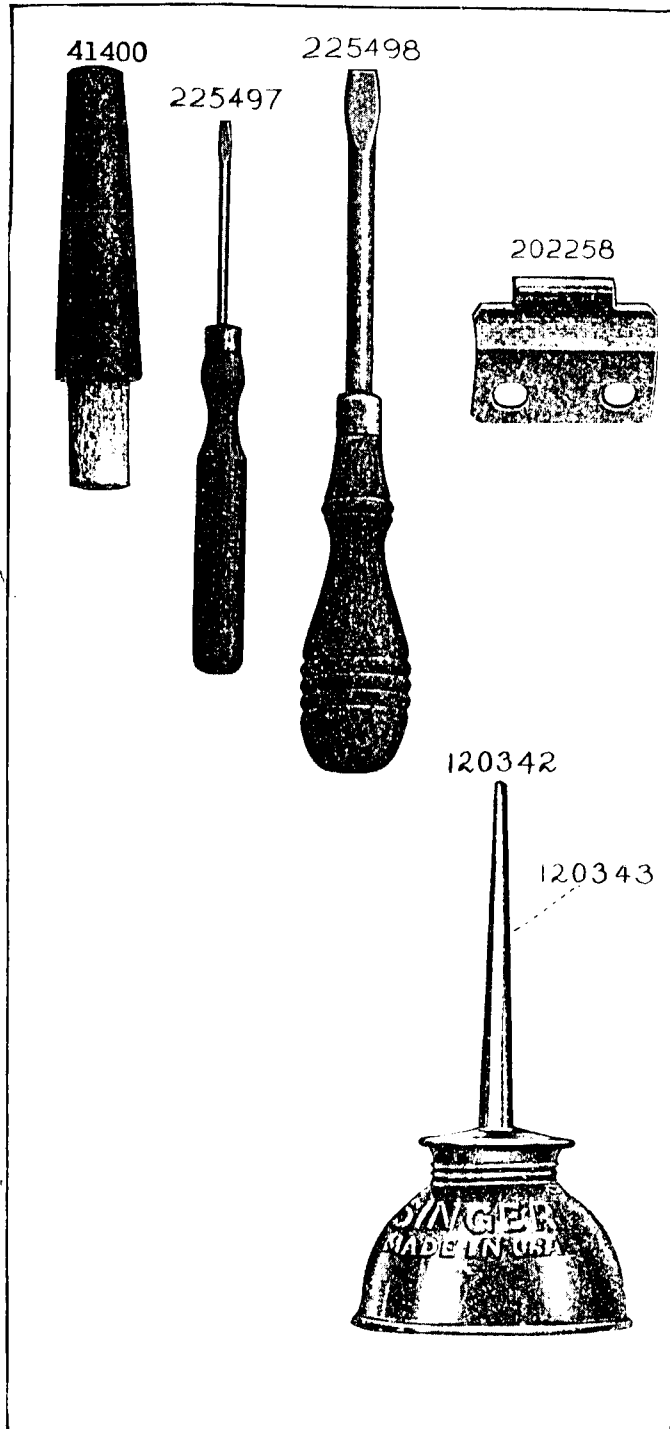


PLATE 14263—ONE-SIXTH SIZE

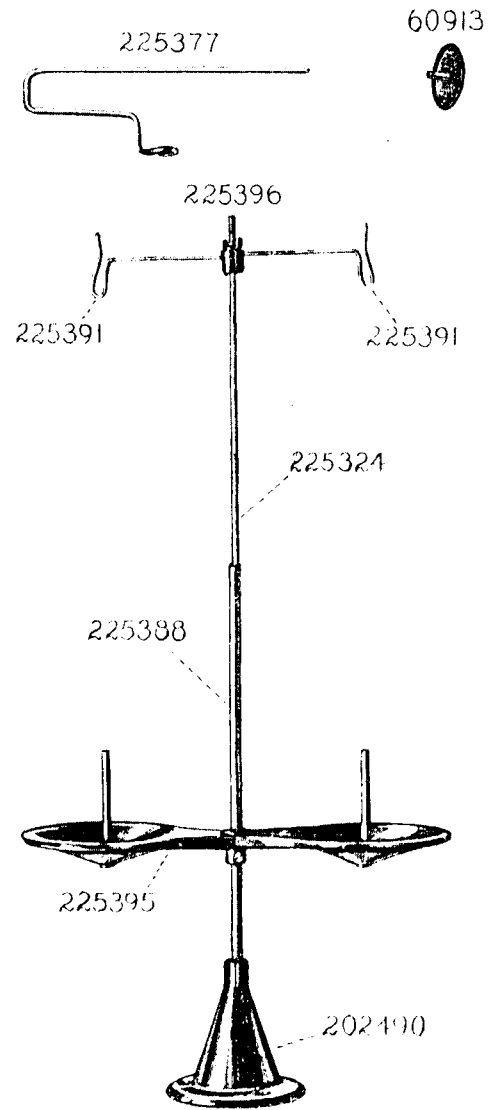
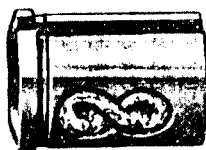
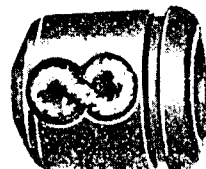


PLATE 15251—ONE-HALF SIZE

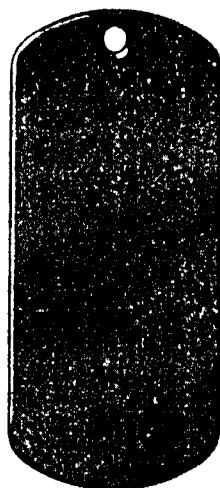
207080



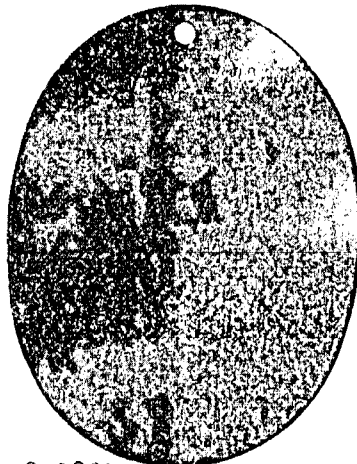
240802



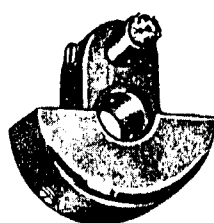
224002



240803



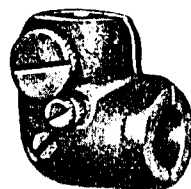
210725



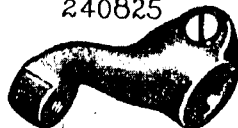
240821



241179



240825



240805

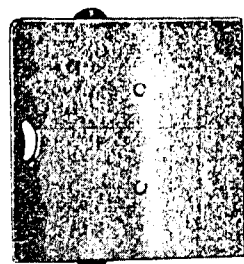
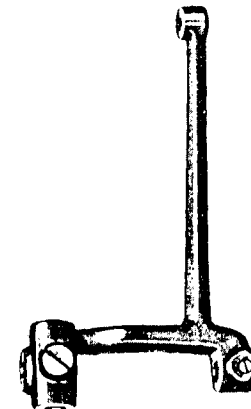


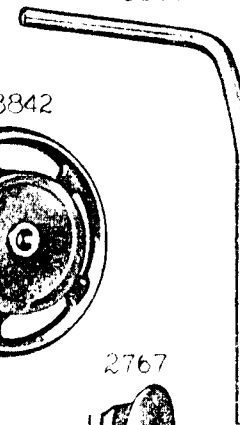
PLATE 15252—ONE-FOURTH SIZE

237702 240820 240824

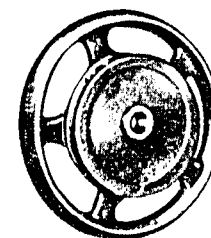
240842



240844



223842



240815



2767



PLATE 15253—FULL SIZE

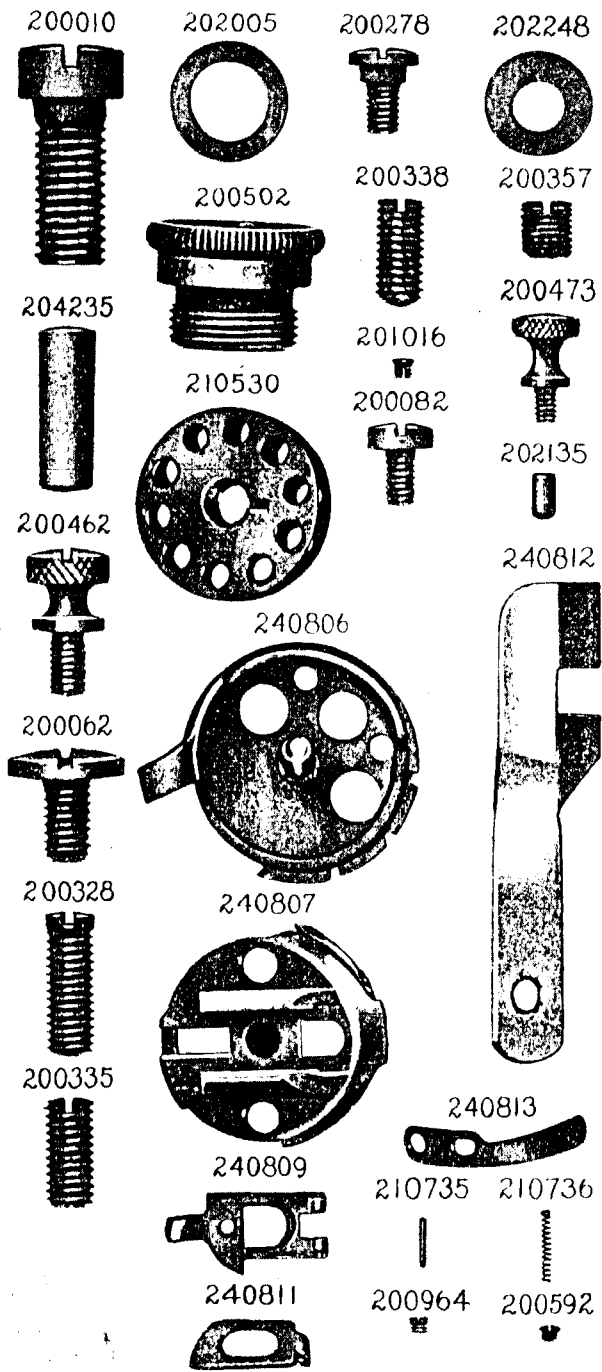


PLATE 15254—FULL SIZE

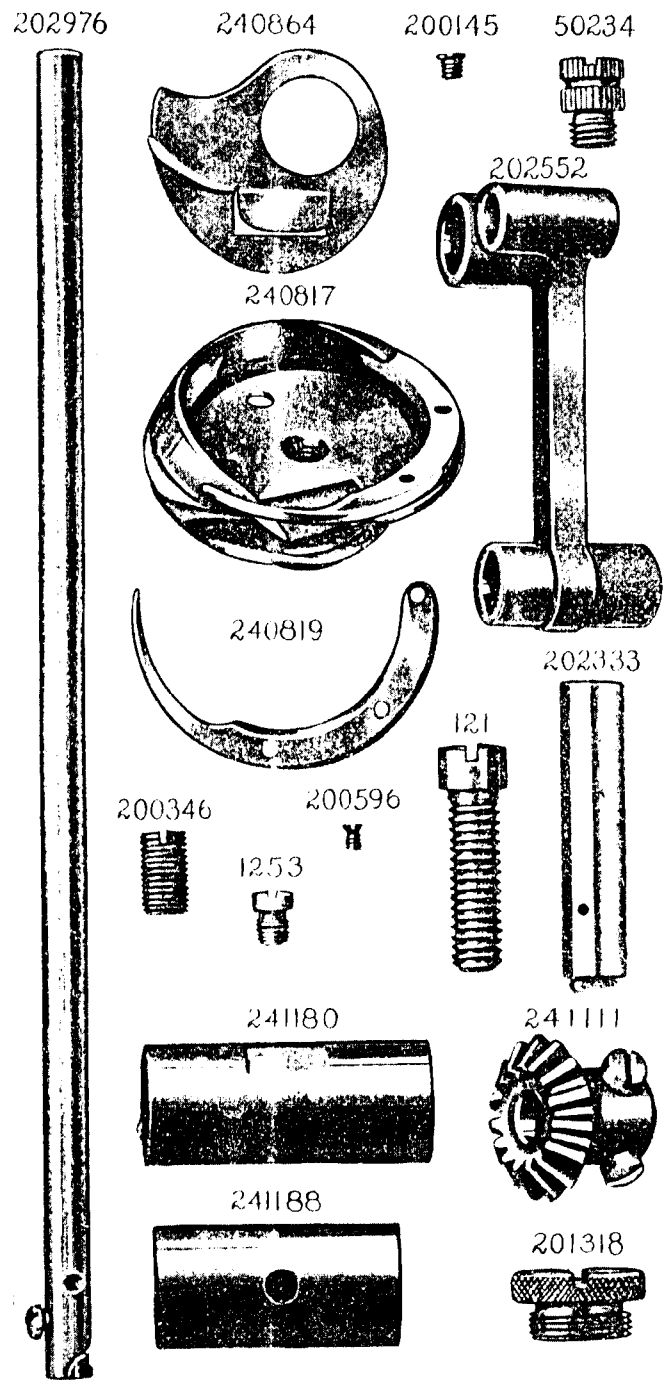


PLATE 15255--ONE-HALF SIZE

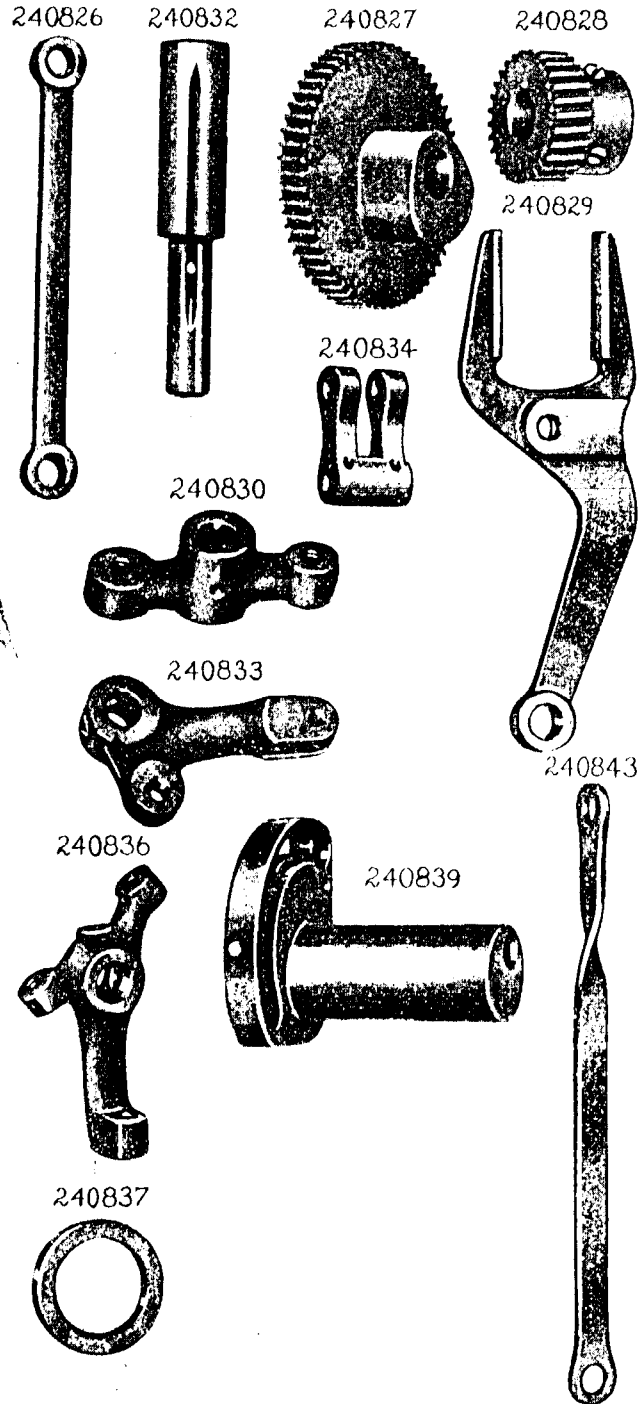


PLATE 15256--FULL SIZE

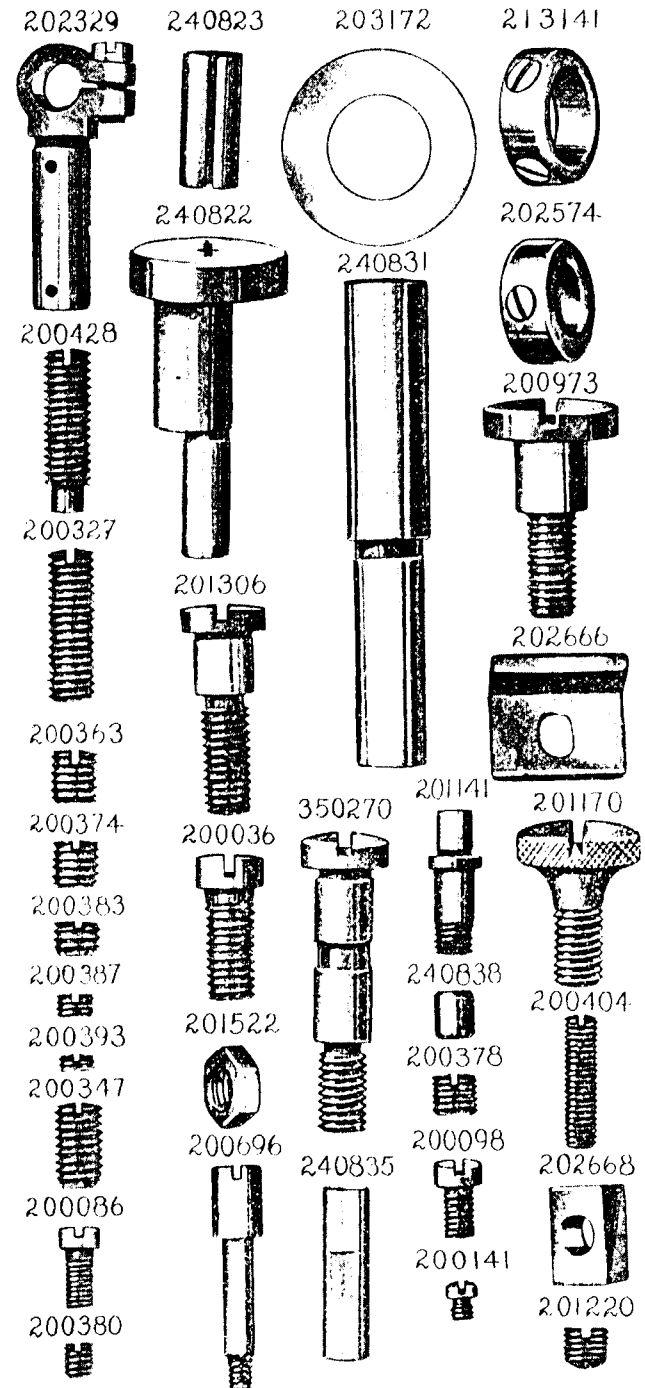


PLATE 15257—FULL SIZE

208159



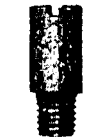
207072



200242



200670



201233



200494



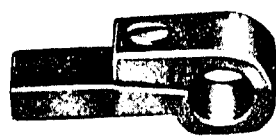
224348



201644



202338



240849



201007



201534



240841



202554



202338

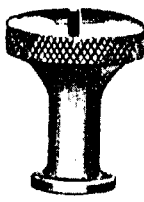
200440



202355



201718



350272



200653



200475



200337



205526



200352



PLATE 15258—ONE-HALF SIZE

240845



240850



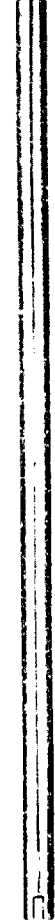
240847



240846



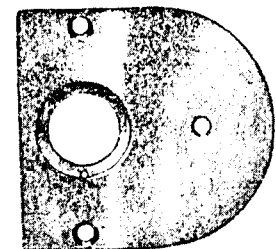
240848



240855



240856



240860



PLATE 15259—FULL SIZE

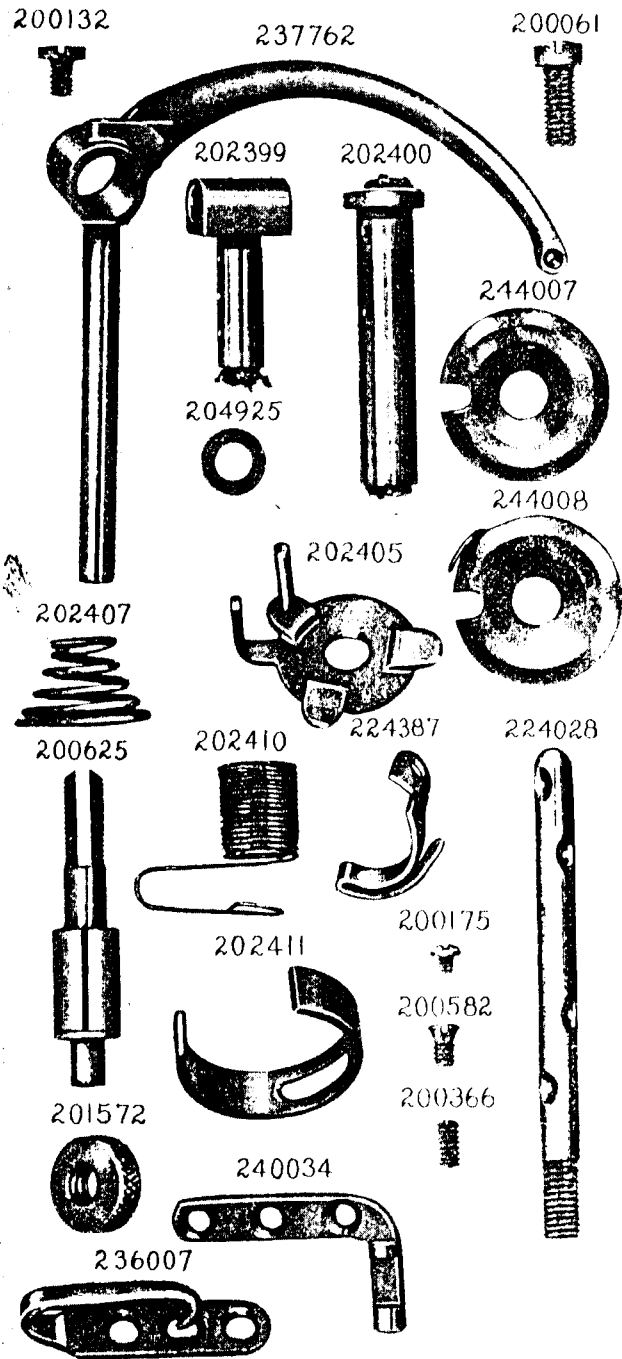


PLATE 15260—FULL SIZE

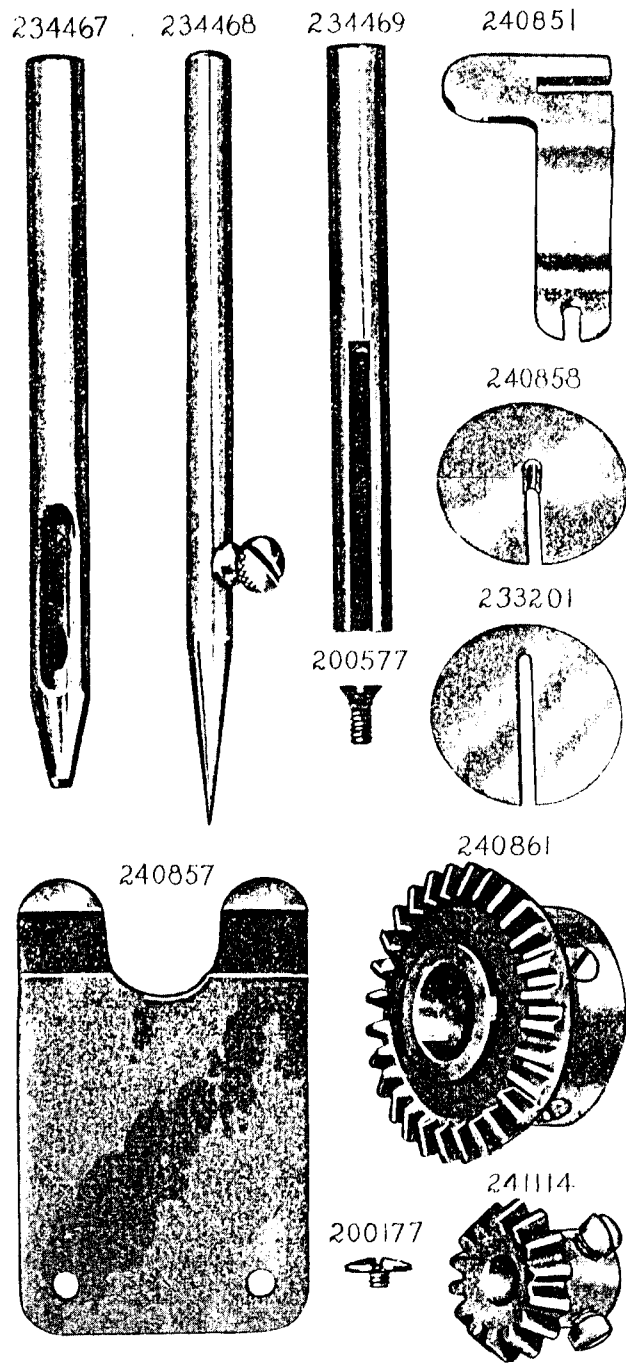




PLATE 15261—FULL SIZE

241182 201018 208 1422 1674



240863



12361



356



837



350129



225326



201320



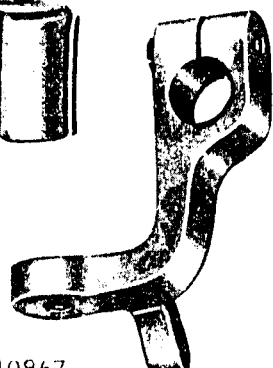
2273



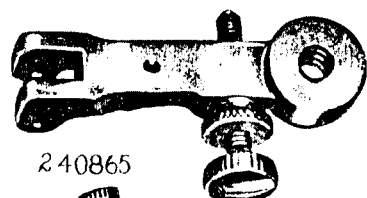
201531



240868



240867



240865



201696



240866



19044



233216

