

SINGER
140W2

Form 2763w

(441)

Printed in U. S. A.

LIST OF PARTS



MACHINE No. 140w2

THE SINGER MANUFACTURING COMPANY

INDEX

	Page
Accessories	16
Bobbin Winder	16
Feed Dogs	18
Knee Lifter	17
Machine No.140w2	5
Miscellaneous Parts	20
Numerical List of Parts	21
Parts for Feather Stitching	20
Presser Feet	18
Thread Unwinder	18
Throat Plates	19

Copyright, U. S. A., 1938, 1940 and 1941
by The Singer Manufacturing Co.
All Rights Reserved for all Countries

INSTRUCTIONS FOR ORDERING

In ordering from this list, use ONLY the PART number in the FIRST column.

The number stamped on a Sewing Machine Part is the number of the Single Part only, except when the part includes Set Screws, Clamping Screws, Studs and Rollers Spun on, Small Wires riveted, or Parts soldered together, etc., which it is necessary to furnish in combination.

Every combination of parts sent out has its specific number which, although not stamped on Parts (except in above case), must be used when ordering the combination.

Each number always indicates the SAME PART in whatever list it appears, or for whatever Machine.

The letters after some of the numbers indicate the style of finish only, as follows:

- A. Hardened, Polished, Nickel Plated and Buffed.
- B. Polished, Nickel Plated and Buffed.
- C. Hardened only.
- D. Polished only.
- E. Soft, not polished.
- F. Hardened and Polished.
- H. Blued.
- J. Nickel Plated only.
- R. Merlized.
- X. Black Oxide.
- XC. Hardened and Black Oxide.
- Y. Black Nickel only.

These letters MUST BE USED when they appear in the list and AFTER the number, as in the list.

In this series:

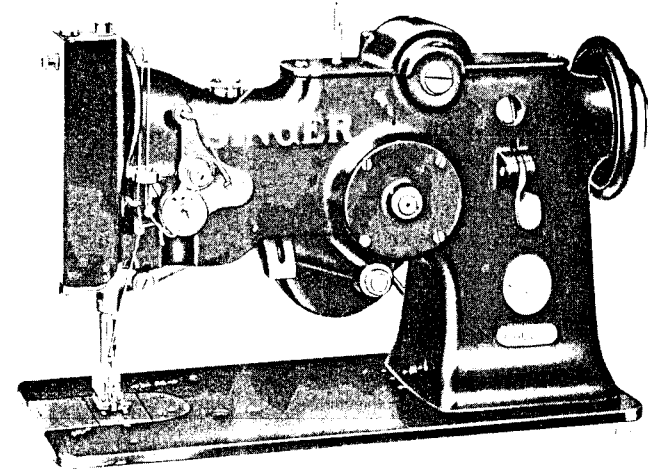
200001 to 201500 and 350001 to 351500 are Screw Numbers.
 201501 to 201800 and 351501 to 351800 are Nut Numbers.
 201801 to 202000 and 351801 to 352000 are Roller Numbers.
 202001 to 350000 are Numbers of Machine Parts.

The figures in the second column refer only to the plate in which the illustration of the part is shown and are NOT TO BE USED in ordering.

Two or more numbers over a cut indicate that the difference between such parts is not visible in an illustration.

Parts marked with an asterisk (*) are furnished when repairs are made at the factory.

LIST OF PARTS COMPLETE FOR



MACHINE No. 140w2

ZIGZAG LOCK STITCH. TRANSVERSE HOOK.

The needle bar is set in a frame, hinged at the top and given lateral motion across the line of feed by a gear driven cam. The movement of the feed is controlled by eccentrics.

FOR UNITING TWO PIECES OF MATERIAL, STRAIGHT
OR CURVED EDGES, WITH OPEN WORK
FAGOT STITCHING.

No.	Plate	Name
*266101	----	Arm with 54897, 202135 and two 241303
266002	17201	" Cap
200085C	17201	" " Screw (2)
54897	17216	" Oil Cup
241303	17201	" " Tube
204235	17202	" Position Pin (2)
200004E	17202	" Screw (3)
202005	17202	" " Washer (3)
241425	17201	" Shaft with 224392 and 350431E
249440	17201	" " Ball Bearing
*240054	17201	" " " " Collar with two 200378C
240055	17201	Arm Shaft Ball Bearing Collar 240054 with 249440
200378C	17201	Arm Shaft Ball Bearing Collar Set Screw
*240056	17201	" " " " Retaining Washer

No.	Plate	Name
*240053	17201	Arm Shaft Bushing (back)
200338C	17201	" " " " Set Screw
240057	17201	Arm Shaft Bushing (back, ball bearing) complete, Nos. 240053, 240055 and 240056
207080	17201	Arm Shaft Bushing (front) with 202244
202244	17201	" " " " Oil Packing (wick)
200502B	17201	" " " " " " Thumb Screw
200341C	17201	Arm Shaft Bushing (front) Set Screw
210503	17202	" " Connection Belt
241308	17202	" " " " Pulley with 200327C, 200602E and two 202253
241309	17202	Arm Shaft Connection Belt Pulley 241308 with 241324, 241325, 241413, 263095, two each 201531E and 350351C
200602E	17202	Arm Shaft Connection Belt Pulley Position Screw
200327C	17202	Arm Shaft Connection Belt Pulley Set Screw
202253	17202	" " " " " " Spring Flange
224392	17201	Arm Shaft Oil Packing (wick)
350431E	17201	" " " Stop Screw
241426	17201	Balance Wheel (disc) "V" belt groove (outside diam of belt groove 2.9 in.) with 201346C and 350107C
241370	17201	Balance Wheel (disc) (belt groove 2-1/8 in. diam.), with 200328C and 200335C
Note: Balance Wheel 241370 is furnished with this machine unless otherwise specified on order		
350419H	17201	Balance Wheel Adjusting Screw
200328C	17201	" " Position Screw
350107C	17201	" " " " "
200335C	17201	" " Set Screw
201346C	17201	" " " " "
*266003	-----	Bed
202258	17202	" Hinge Connection (2)
200570E	17202	" " " Screw (4)
203100	17216	" Oil Packing (wick) (2)
350440H	17216	" " Screw (2)
210505	17216	" Plate (back)
200577XC	17216	" " " Screw (2)
210616	17216	" Slide (front)
263099	17203	Bobbin
224416	17203	" Case Base
224417	17203	" " Cap with 200598C, 201016F and 224421
224418	17203	Bobbin Case Cap complete, Nos. 200964C, 210736, 210914 and 224417
210913	17203	Bobbin Case Latch

No.	Plate	Name
210914	17203	Bobbin Case Latch 210913 with 210734 and 210735
210735	17203	Bobbin Case Latch Fulcrum Pin
210734	17203	" " " Lever
210736	17203	" " " Spring
200964C	17203	" " " Stop Screw
224421	17203	" " Tension Spring
201016F	17203	" " " " " Regulating Screw
200598C	17203	Bobbin Case Tension Spring Screw
224419	17203	Bobbin Case complete, Nos. 224416 and 224418
224311	17212	" " Stop
200076D	17212	" " " Screw
266004	17216	Face Plate
202135	17216	" " Position Pin
200462B	17216	" " Thumb Screw
241322	17212	Feed Bar
266005	17212	" " Hinge Stud (eccentric)
200988F	17212	" " " " Set Screw
202276	17212	" " Slide Block
210514	17212	" " " " Crank with 200035E
210515	17212	" " " " " 210514 with 200253C, 201531E and 202276
200035E	17212	Feed Bar Slide Block Crank Pinch Screw
200253C	17212	" " " " Hinge Screw
201531E	17212	" " " " " Nut
266118	17212	" Dog, for 266119
200106E	17212	" " Screw (2)
266009	17202	" Driving Connection with 200054E and 202277
266010	17212	Feed Driving Connection Crank with 200029E
200029E	17212	" " " " Pinch Screw
201180C	17202	" " " Hinge Screw
201518E	17202	" " " " " Nut
202277	17202	" " " Oil Packing (wick)
200054E	17202	" " " Pinch Screw
241324	17202	" " Eccentric (indexed)
241325	17202	" " " Adjusting Disc
241413	17202	" " " " "
Locking Stud		
263095	17202	Feed Driving Eccentric Adjusting Disc
Locking Stud Spring		
350351C	17202	Feed Driving Eccentric Screw
201531E	17202	" " " " Nut
266011	17212	" " Rock Shaft with two 200988F
202625	17212	" " " " Stop Collar with two 200383C (2)
200383C	17212	Feed Driving Rock Shaft Stop Collar Set Screw
266012	17202	Feed Lifting Connection with 200054E and 202277

No.	Plate	Name
241328	17212	Feed Lifting Connection Crank with 200050C and 200378C
200050C	17212	Feed Lifting Connection Crank Pinch Screw
200378C	17212	" " " " Set Screw
266053	17201	" " " Eccentric with 200382C and 200437C
200437C	17201	Feed Lifting Connection Eccentric Position Screw
200382C	17201	Feed Lifting Connection Eccentric Set Screw
201306C	17202	Feed Lifting Connection Hinge Screw
201518E	17202	" " " " " Nut
202277	17202	" " " Oil Packing (wick)
200054E	17202	" " " Pinch Screw
241329	17212	" " Rock Shaft (hollow) and Hook Driving Shaft Bearing
202625	17212	Feed Lifting Rock Shaft Stop Collar with two 200383C
200383C	17212	Feed Lifting Rock Shaft Stop Collar Set Screw
213161	17202	Feed Regulating Lever with 213657
200665C	17202	" " " Hinge Screw
206452	17202	" " " Spring
213657	17202	" " " " Pin
266013	17213	" Reversing Eccentric
266014	17213	" " " Connection
200031F	17213	" " " Screw
266018	17213	" " Lever
201113C	17213	" " " Hinge Screw
200363C	17213	" " " " " Lock Screw
266019	17213	Feed Reversing Lever Pitman with 200979C, 201524E, 266020, two each 200098F and 204925
350439C	17213	Feed Reversing Lever Pitman Ball Screw (lower)
200979C	17213	Feed Reversing Lever Pitman Ball Screw (upper)
*266020	-----	Feed Reversing Lever Pitman Ball Screw Cap
200098F	17213	" " " " " " " " Screw
204925	17213	Feed Reversing Lever Pitman Ball Screw Cap Screw Washer
201524E	17213	Feed Reversing Lever Pitman Ball Screw Cap Screw Nut
266021	17213	Feed Reversing Lever Pitman Connection with 201524E, 266020, 350439C, two each 200098F and 204925
200098F	17213	Feed Reversing Lever Pitman Connection Screw

No.	Plate	Name
204925	17213	Feed Reversing Lever Pitman Connection Screw Washer
266022	17213	Feed Reversing Lever Pitman complete, Nos. 266019, 266021, two each 200098F and 204925
266023	17212	Feed Reversing Link
201171C	17212	" " " Hinge Screw
201516E	17212	" " " " " Nut
202277	17212	" " " " " Oil Packing (wick)
266024	17212	Feed Reversing Segment Lever
266025	17212	" " " " " Bracket
205508	17212	" " " " " Position Pin (2)
200024D	17212	Feed Reversing Segment Lever Bracket Screw (2)
202574	17212	Feed Reversing Segment Lever Collar with 200380C
200380C	17212	Feed Reversing Segment Lever Collar Set Screw
266026	17212	Feed Reversing Segment Lever Oil Pad (felt)
200157B	17212	Feed Reversing Segment Lever Oil Pad Screw
223542	17212	Feed Reversing Segment Lever Slide Block
378C	17212	" " " " " " " Hinge Screw
1520J	17212	Feed Reversing Segment Lever Slide Block Hinge Screw Nut
266054	17201	Feed Reversing Worm with two 200382C
266015	17213	" " " " Gear with two 200382C
200382C	17213	" " " " Set Screw
266016	17213	" " " " Shaft
266017	17213	" " " " " Bushing (2)
201318E	17213	" " " " " " Oil Plug Screw (2)
200399C	17213	Feed Reversing Worm Gear Shaft Bushing Set Screw (2)
200382C	17201	Feed Reversing Worm Set Screw
266027	17203	Hook (sewing)
266028	17203	" 266027 with 200145C, 203101, 266030, 266031 and three 200596F
266029	17203	Hook and Bobbin Case complete, Nos. 224419 and 266028
241368	17212	Hook Driving Bevel Pinion, 24 teeth, with two 200378C
200378C	17212	Hook Driving Bevel Pinion Set Screw
210535	17212	" " " " " Shaft
266029	17212	" " " " " Ball Bearing

No.	Plate	Name
241334	17212	Hook Driving Bevel Pinion Shaft Ball Bearing Collar with two 200383C
241335	17212	Hook Driving Bevel Pinion Shaft Ball Bearing Collar 241334 with 263029
200383C	17212	Hook Driving Bevel Pinion Shaft Ball Bearing Collar Set Screw
263032	17212	Hook Driving Bevel Pinion Shaft Ball Bearing Retainer
200098E	17212	Hook Driving Bevel Pinion Shaft Ball Bearing Retainer Screw (3)
263033	17212	Hook Driving Bevel Pinion Shaft Belt Pulley with 202324 and two 201018C
201018C	17212	Hook Driving Bevel Pinion Shaft Belt Pulley Set Screw
202324	17212	Hook Driving Bevel Pinion Shaft Belt Pulley Spring Flange
266030	17203	Hook Gib
200596F	17203	" " Screw
203101	17203	" Oil Packing (wick)
350398C	17212	" Position Screw
241397	17212	" Shaft (hollow)
241369	17212	" " Bevel Gear, 24 teeth, with two 200382C
200382C	17212	Hook Shaft Bevel Gear Set Screw
241336	17212	" " Bushing
241398	17212	" " " 241336 with 241397 and 350314F
200370C	17212	Hook Shaft Bushing Oil Stop Screw
241338	17212	" " " " Tube
202254	17212	Hook Shaft Bushing Oil Wick
200335C	17212	" " " " Set Screw
200363C	17212	" " " " " "
202355	17212	" " " " " " Packing (brass)
350314F	17212	" " Position Screw
266031	17203	" Washer Needle Guard
200145C	17203	" " " " " " Screw
237837	17216	Knee Lifter Connection Lever
200262H	17216	Knee Lifter Connection Lever Hinge Screw
266032	17216	" " " " " " Lifting Rod with 202302
227227	17216	Knee Lifter Connection Lever Lifting Rod Collar with 200113F
200113F	17216	Knee Lifter Connection Lever Lifting Rod Collar Set Screw
202302	17216	Knee Lifter Connection Lever Lifting Rod Cotter Pin
266033	17216	Knee Lifter Connection Lever Lifting Rod Guide Plate
200084F	17216	Knee Lifter Connection Lever Lifting Rod Guide Plate Screw (2)

No.	Plate	Name
210875	17216	KneeLifter Lifting Lever
200262H	17216	" " " " Hinge Screw
241367	17206	Needle Bar with 200141F
241409	17206	" " " " Connecting Link
241410	17206	" " " " Guide Block
241342	17206	" " " " " " " "
		G1b (2)
200581H	17206	Needle Bar Connecting Link Guide Block G1b Screw (4)
241344	17206	Needle Bar Connecting Link Stud with 202254
202254	17206	Needle Bar Connecting Link Stud Oil Packing (wick)
200374C	17206	Needle Bar Connecting Link Stud Set Screw
200383C	17206	" " " " " " " "
241345	17206	" " " " Stud with 202277
241346	17206	" " " " " 241345 with 210882
202277	17206	Needle Bar Connecting Stud Oil Packing (wick)
210882	17206	Needle Bar Connecting Stud Swivel with 200387C
241347	17206	Needle Bar Crank with 200335C, 200374C, 200383C and 200428C
203172	17206	Needle Bar Crank Friction Washer
200428C	17206	" " " " Position Screw
200335C	17206	" " " " Set Screw
241348	17206	" " " " Frame with 200070C and 201416C
241349	17206	" " " " Guide Stud
200334C	17206	" " " " " " Set Screw
210548	17206	" " " " Hinge Stud
200334C	17206	" " " " " " Set Screw
266102	17214	" " " " Pitman
210557	17214	" " " " " Eccentric Stud
200070C	17206	" " " " " " " "
		Set Screw
1038C	17214	Needle Bar Frame Pitman Screw Stud
7070	17214	" " " " " " " Sleeve
1698C	17214	" " " " " " " Nut
228026	17214	" " " " " " " Washer
200387C	17206	" " " " " " " Set Screw
241351	17206	" " " " " " " Support Stud
201416C	17206	" " " " " " " Set Screw
200141F	17206	" " " " " " " Set Screw
*266103	-----	" " " " " " " Vibrator Bracket
202602	17214	" " " " " " " Position Pin (2)
200048D	17214	" " " " " " " Screw (4)
266104	17214	" " " " " " " Cam
201517C	17214	" " " " " " " Lock Nut
214892	17214	" " " " " " " Washer
266105	17214	" " " " " " " Shaft with 249739

PARTS FOR MACHINE No. 140w2

No.	Plate	Name
203244	17214	Needle Vibrator Cam Shaft Collar with two 200393C
200393C	17214	Needle Vibrator Cam Shaft Collar Set Screw
249675	17214	" " " " Gear
266106	17214	" " " " Friction Washer
249739	17214	Needle Vibrator Cam Shaft Gear Position Pin
249738	17214	Needle Vibrator Cam Spacing Washer
266107	17213	" " Gear with two 201052C
201052C	17213	" " Set Screw
266108	17214	" " Guard
350129E	17214	" " Screw (2)
249725	17213	" " Intermediate Gear
266109	17213	" " Adjusting Arm
200961H	17213	Needle Vibrator Intermediate Gear Adjusting Arm Hinge Screw
201533E	17213	Needle Vibrator Intermediate Gear Adjusting Arm Hinge Screw Nut
350261C	17213	Needle Vibrator Intermediate Gear Adjusting Arm Lock Stud
201694D	17213	Needle Vibrator Intermediate Gear Adjusting Arm Locking Thumb Nut
202622	17213	Needle Vibrator Intermediate Gear Adjusting Arm Locking Thumb Nut Washer
266110	17213	Needle Vibrator Intermediate Gear Bracket with 200054E
200054E	17213	Needle Vibrator Intermediate Gear Bracket Pinch Screw
350449C	17213	Needle Vibrator Intermediate Gear Screw Stud
201617E	17213	Needle Vibrator Intermediate Gear Screw Stud Nut
266111	17213	Needle Vibrator Intermediate Gear Screw Stud Washer
266112	17214	Needle Vibrator Rock Shaft
266113	17214	" " " " Lever with 200054E, 201531E, 201808 and 202600
200054E	17214	Needle Vibrator Rock Shaft Lever Pinch Screw
201808	17214	Needle Vibrator Rock Shaft Lever Roller and Screw Stud
201531E	17214	Needle Vibrator Rock Shaft Lever Roller and Screw Stud Nut
202600	17214	Needle Vibrator Rock Shaft Lever Roller and Screw Stud Washer
266114	17214	Needle Vibrator Rock Shaft Lever Spring
201356E	17214	" " " " " " Screw Stud
266115	17214	Needle Vibrator Segment Lever with two 200394C

PARTS FOR MACHINE No. 140w2

No.	Plate	Name
200394C	17214	Needle Vibrator Segment Lever Set Screw
266034	17201	" " Worm with two 200382C
266035	17213	Needle Vibrator Worm Gear with two 200382C
266051	17213	" " " " Friction Washer
200382C	17213	" " " " Set Screw
266116	17213	" " " " Shaft
210551	17213	" " " " Bearing
200566D	17213	" " " " " " Screw (4)
200382C	17201	Needle Vibrator Worm Set Screw
244033	17215	Presser Bar (hollow)
202335	17215	" " 244033 with 200074F
241352	17215	" " Bushing
200357C	17215	" " Set Screw
202554	17215	" " Lifter
200652C	17215	" " Hinge Screw
210789	17215	" " Lifting Releasing Lever Bracket
200260D	17215	Presser Bar Lifting Releasing Lever Bracket Guide Screw
206608	17215	Presser Bar Lifting Releasing Lever Bracket Spring
202337	17215	Presser Bar Position Guide
202338	17215	" " " " Lever with 200086F
200086F	17215	Presser Bar Position Guide Lever Pinch Screw
200357C	17215	Presser Bar Position Guide Set Screw
202378	17215	" " Spring
202346	17215	" " Stop Rod
200492B	17215	" " Thumb Screw (pressure regulating)
200475B	17215	Presser Bar Thumb Screw Thumb Set Screw
202355	17215	" " " " " " " " Packing (brass)
241414	17215	Presser Foot Bracket with 200391C
241415	17215	" " Connection Lever
200304D	17215	" " " " Hinge Screw
266121	17215	" " Plate (left)
266122	17215	" " " (right)
241424	17215	" " Hinge Pin
241418	17215	" " Shank
266123	17215	" " 241418 with 241424 and 266121
266124	17215	Presser Foot Shank 241418 with 241424 and 266122
241421	17215	Presser Foot Shank Hinge Pin
200391C	17215	" " " " " Set Screw
241422	17215	Presser Foot Shank Spring

No.	Plate	Name
266125	17215	Presser Foot (hinged)(compensating) complete, for use with Throat Plate 266119 Nos. 200304D, 241414, 241415, 241421, 266123 266124 and two 241422
200074F	17215	Presser Foot Screw
241353	17206	Take-up (auxiliary)
200132E	17206	" " Screw
244059	17206	" Lever
241355	17206	" " Driving Stud with 202277
202277	17206	" " " " Oil Packing (wick)
241356	17206	Take-up Lever Hinge Stud with 202423
202423	17206	" " " " Oil Packing (wick)
200383C	17206	Take-up Lever Hinge Stud Set Screw
202401	17215	" " Oiling Felt
200904E	17215	" " " " Screw
263090	17215	" " " Wick
263041	17215	" " " " 263090 with 263097
241357	17215	Take-up Lever Oiling Wick Eyelet
263097	17215	" " " " Wire
200904E	17215	" " " " Eyelet Screw
241358	17208	Tension Bracket with 201224B and 236060
241359	17208	Tension Bracket complete, Nos. 13710, 200978H 201199F, 204271, 223703, 223704, 223706, 241358, 241366, two each 200309E, 201572B and 244048
244048	17208	Tension Disc
236060	17208	" " Position Pin
223703	17208	" Release Lever
235072	17215	" " " Rod
200309E	17208	" " " Screw
223704	17208	" " Plunger
204271	17208	" " Washer
13710	17208	" Spring
201224B	17208	" Stud
201572B	17208	" Thumb Nut
223706	17208	Thread Controller Disc
200978H	17208	" " " Screw
241366	17208	" " Spring
241360	17208	" " Stop
200132E	17208	" " " Screw
201199F	17208	" " Stud with 204925
200049E	17208	" " Stud Set Screw
201572B	17208	" " Thumb Nut
204925	17208	" " Washer
266041	17208	" " Thread Guide
200161D	17208	" " " " Screw
202412	17201	" Guide
241362	17208	" " (lower)
241364	17208	" " (upper)

No.	Plate	Name
241363	17208	Thread Guide (on needle bar frame)
200174H	17208	" " " " " " Screw
200582H	17208	" " Screw (2)
240034	17208	" Retainer
200366H	17208	" " Set Screw
266119	17216	Throat Plate (5/32 in. separator), 53 needle hole, for needle sizes 12 and 13, for 266118
200577XC	17216	Throat Plate Screw (2)

Genuine Singer Needles should be used
in Singer Machines.
These Needles and their Containers
are marked with the
Company's Trade Mark "SIMANCO." 1

Needles in Containers marked
"For Singer Machines"
are not Singer made needles. 2

ACCESSORIES

No.	Plate	Name
263099	17203	Bobbin (5)
*225482	-----	" Case Screw Driver Blade
*225483	-----	" " " " Handle
225497	17219	Bobbin Case Screw Driver complete, Nos. 225482 and 225483
135 X 9	17206	Needles six, size 16
266117	17218	Needle Vibrator Cam
266131	17218	Throat Plate, 53 needle hole, for needle sizes 12 and 13
228373	17210	Drip Pan (short) with four 1 in. wire nails
41400	17219	Machine Rest Pin (wood)
120342	17219	Oiler (copper plated) with 120343
120343	17219	" Spout, (3-1/2 in. long)
225498	17219	Screw Driver, (7-1/4 in. long)
225554	17219	Wrench (steel)
10875	17219	"
23535	17219	"

BOBBIN WINDER

(SWINGING AUTOMATIC, RIGHT HAND)

No.	Plate	Name
259428	16615	Brake (leather)
259429	16615	" Clamp
200113F	16615	" " Screw
225453	16615	Frame with 202277 and 225438
225454	16615	" Hinge Pin
202277	16615	" Oil Packing (wick)
225438	16615	" " Well Cap
225455	16615	" Spring
225456	16615	" " Plunger
225368	16615	Pulley with 200380C
200380C	16615	" Set Screw
225381	16615	Spindle
225444	16615	Stop Latch
200056E	16615	" " Screw
225458	16615	" " Thumb Lever
225459	16615	" " " " Hinge Stud
225459	16615	" " " " Joint Stud
202478	16615	" " Trip Lever
200299H	16615	" " " " Hinge Screw

No.	Plate	Name
225461	16615	Tension Bracket with 201499B
200082D	16615	" " Screw
228026	16615	" " " Washer
2102	16615	" Disc
13710	16615	" Spring
201499B	16615	" Stud
201572B	16615	" " Thumb Nut
225462	16615	Bobbin Winder Tension Bracket complete, Nos. 13710, 201572B, 225461 and two 2102
259430	16615	Bobbin Winder and Tension Bracket Base
259431	16615	Universal Bobbin Winder complete, Nos. 200056E, 200082D, 200113F, 200299H, 202478, 225368, 225381, 225444, 225453 to 225456, 225458, 225462, 228026, 259428 to 259430 two each 225459 and wood screws 3/4 in., No. 12 R. H. B.

KNEE LIFTER

228359	16643	Rock Lever with two 350231C
228360	16643	" " Bracket with 200347C and three wood screws 7/8 in. No. 12
228361	16643	Rock Lever Bracket 228360 with 228359, 228363, 228367 and 228386
228362	16643	Rock Lever Extension with 200529C
350231C	16643	Rock Lever Extension Set Screw
228363	16643	" " Hinge Pin
228364	16643	" " Knee Plate with 350231C
228388	16643	" " " " Arm
350231C	16643	" " " " Set Screw
350231C	16643	" " " " Set Screw
228365	16643	" " Rod
200529C	16643	" " " Set Screw
228386	16643	" " Spring
228367	16643	" " Stop Stud
200347C	16643	" " " " Set Screw
228368	16643	Knee Lifter complete, Nos. 228361, 228362, 228364, 228365 and 228388

(Other Knee Lifter Parts are listed with parts of machine head.)

THREAD UNWINDER

No.	Plate	Name
225257	17900	Spool Rest (for two spools)(flat) with 201018C
150203	17900	Spool Rest Cushion (felt)
225388	17900	" " Rod
200383C	17900	" " " Set Screw
201018C	17900	" " " Set Screw
202490	17900	" " Stand with 200383C
225391	17900	Thread Guide
201696J	17900	" " Lock Nut
225326	17900	" " Position Cup
225324	17900	" " Rod with 208AL and 225322
208AL	17900	" " " Screw
225322	17900	" " " Washer
225258	17900	Thread Unwinder (for two spools)(flat) complete, Nos. 201696J, 202490, 225257, 225324, 225326, 225388, two each 150203 225391 and three wood screws 7/8 in. No. 12

FEED DOGS

266006	17217	Feed Dog, for 266043, 266044 and 266046
266118	17212	" " for 266119, 266120 and 266131

PRESSER FEET

241414	17215	Presser Foot Bracket with 200391C
241415	17215	" " Connection Lever
200304D	17215	" " " Hinge Screw
266055	17217	" " Plate (left), for 266057
266060	17217	" " " for 266062
266121	17215	" " " for 266123
266126	17215	" " " for 266128
266056	17217	" " " (right), for 266058
266061	17217	" " " for 266063
266122	17215	" " " for 266124
266127	17215	" " " for 266129
241424	17215	" " " Hinge Pin
241418	17215	Presser Foot Shank
266057	17217	" " " 241418 with 241424 and 266055, for 266059
266062	17217	Presser Foot Shank 241418 with 241424 and 266060, for 266064

No.	Plate	Name
266123	17215	Presser Foot Shank 241418 with 241424 and 266121, for 266125
266128	17215	Presser Foot Shank 241418 with 241424 and 266126, for 266130
266058	17217	Presser Foot Shank 241418 with 241424 and 266056, for 266059
266063	17217	Presser Foot Shank 241418 with 241424 and 266061, for 266064
266124	17215	Presser Foot Shank 241418 with 241424 and 266122, for 266125
266129	17215	Presser Foot Shank 241418 with 241424 and 266127, for 266130
241421	17215	Presser Foot Shank Hinge Pin
200391C	17215	" " " " " Set Screw
241422	17215	" " " Spring
266059	17217	Presser Foot (hinged)(compensating) complete, for use with Throat Plate 266043, Nos. 200304D, 241414, 241415, 241421, 266057, 266058 and two 241422
266064	17217	Presser Foot (hinged)(compensating) complete, for use with Throat Plate 266044 Nos. 200304D, 241414, 241415, 241421, 266062, 266063 and two 241422
266125	17215	Presser Foot (hinged)(compensating) complete, for use with Throat Plate 266119, Nos. 200304D, 241414, 241415, 241421, 266123 266124 and two 241422
266130	17215	Presser Foot (hinged)(compensating) complete, for use with Throat Plate 266120, Nos. 200304D, 241414, 241415, 241421, 266128 266129 and two 241422

THROAT PLATES

266043	17217	Throat Plate (3/32 in. separator) 53 needle hole, for needle sizes 12 and 13, for 266006
266044	17217	Throat Plate (1/8 in. separator) 53 needle hole, for needle sizes 12 and 13, for 266006
266119	17216	Throat Plate (5/32 in. separator) 53 needle hole, for needle sizes 12 and 13 for 266118
266120	17216	Throat Plate (3/16 in. separator) 53 needle hole, for needle sizes 12 and 13 for 266118

PARTS FOR FEATHER STITCHING

No.	Plate	Name
266118	17218	Feed Dog
266006	17218	" "
266117	17218	Needle Vibrator Cam
202090	17218	Presser Foot Hinge Pin
266070	17218	" " Plate
210620	17218	" " Shank
266071	17218	Presser Foot (hinged) complete, Nos. 202090, 210620 and 266070
266046	17218	Throat Plate, 53 needle hole, for needle sizes 12 and 13
266131	17218	Throat Plate, 53 needle hole, for needle sizes 12 and 13

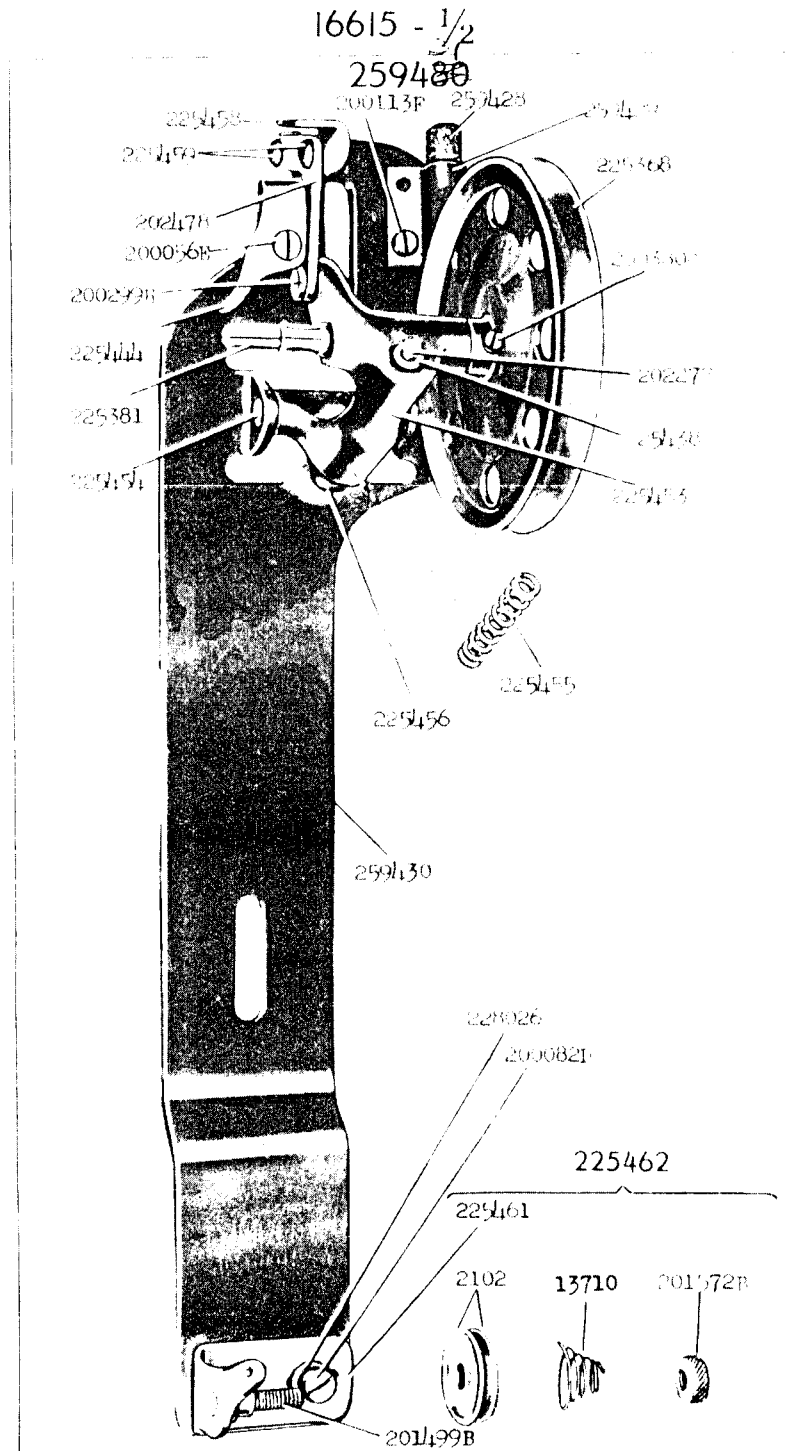
MISCELLANEOUS PARTS

(USED IN CONJUNCTION WITH THREAD UNWINDER)

60913	17900	Spool Weight with 60914
60914	17900	" " Center Pin
225377	17900	" Wire (for small spools)
27739	17900	Thread Cone (wood)
225390	17900	" " Holder

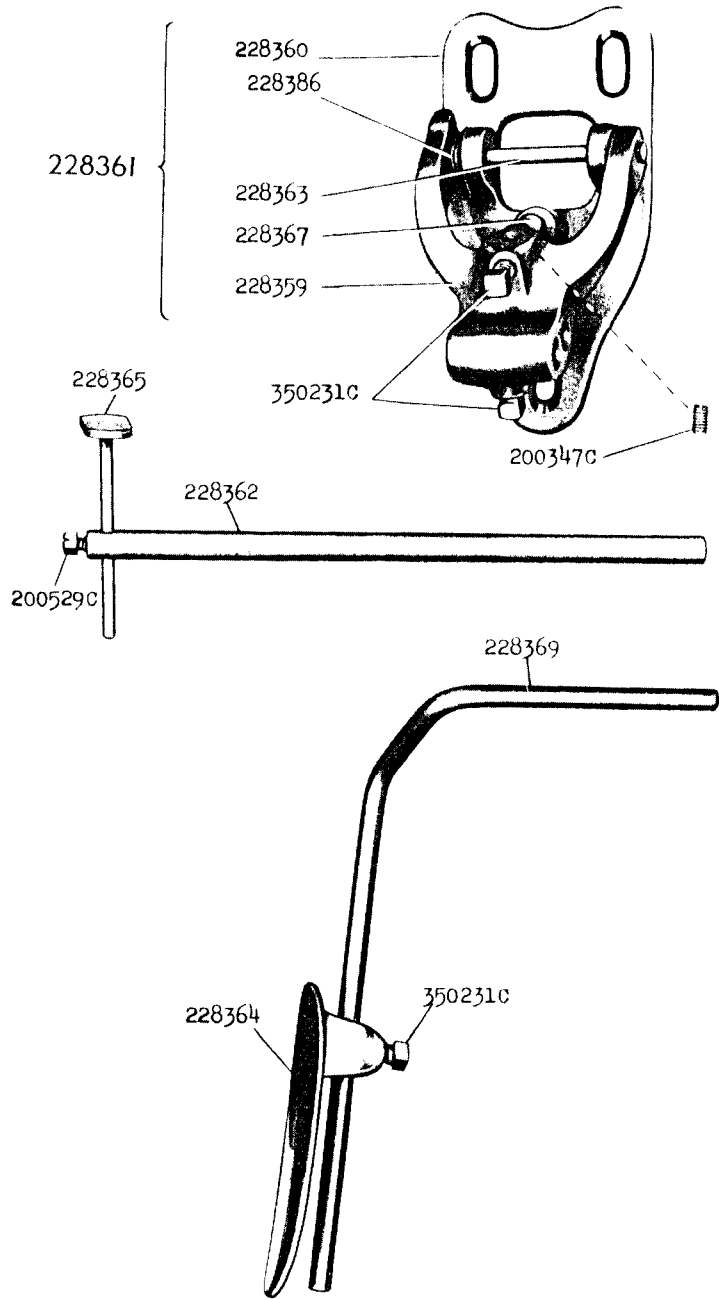
Genuine Singer Needles should be used
in Singer Machines.
These Needles and their Containers
are marked with the
Company's Trade Mark "SIMANCO." 1

Needles in Containers marked
"For Singer Machines"
are not Singer made needles. 2

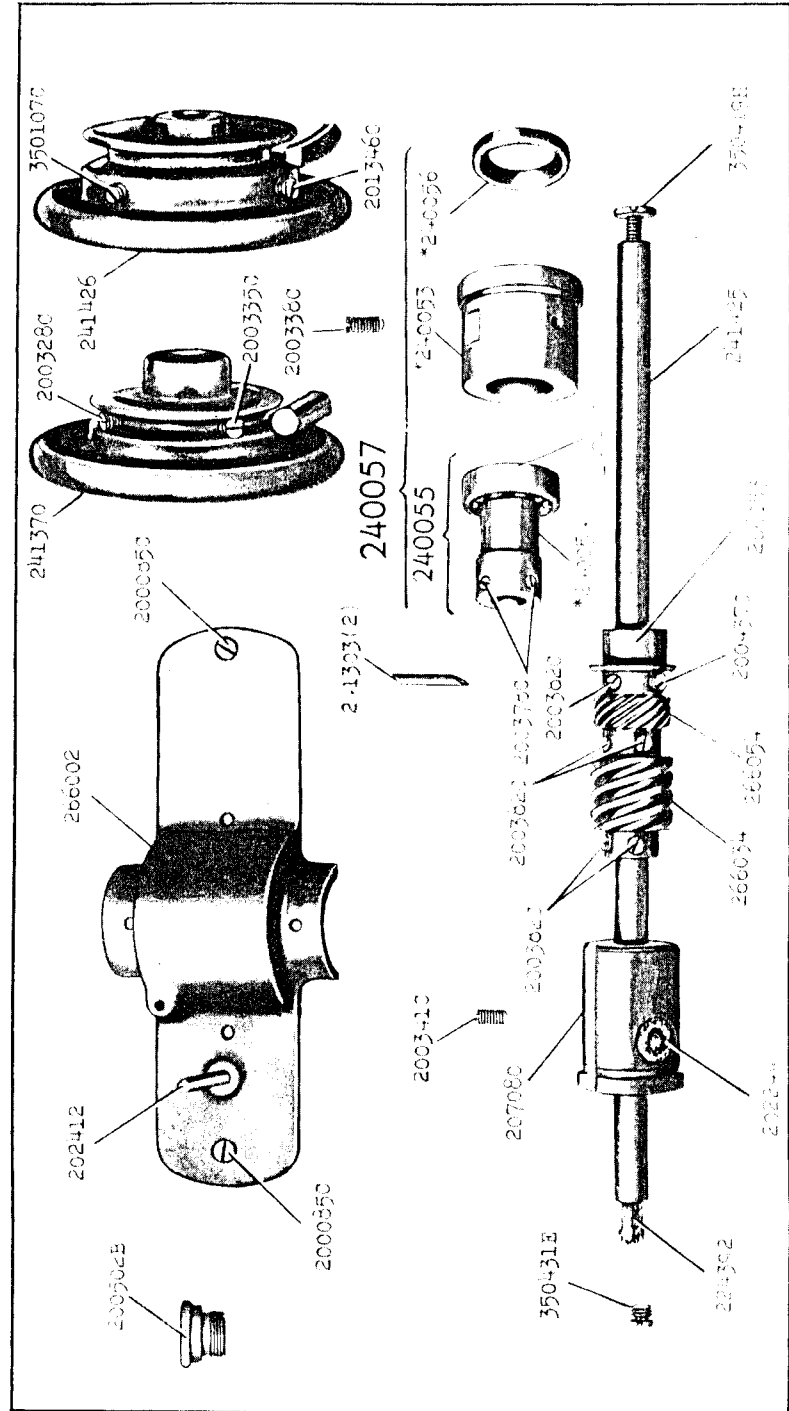


16643 - 3/8

228368

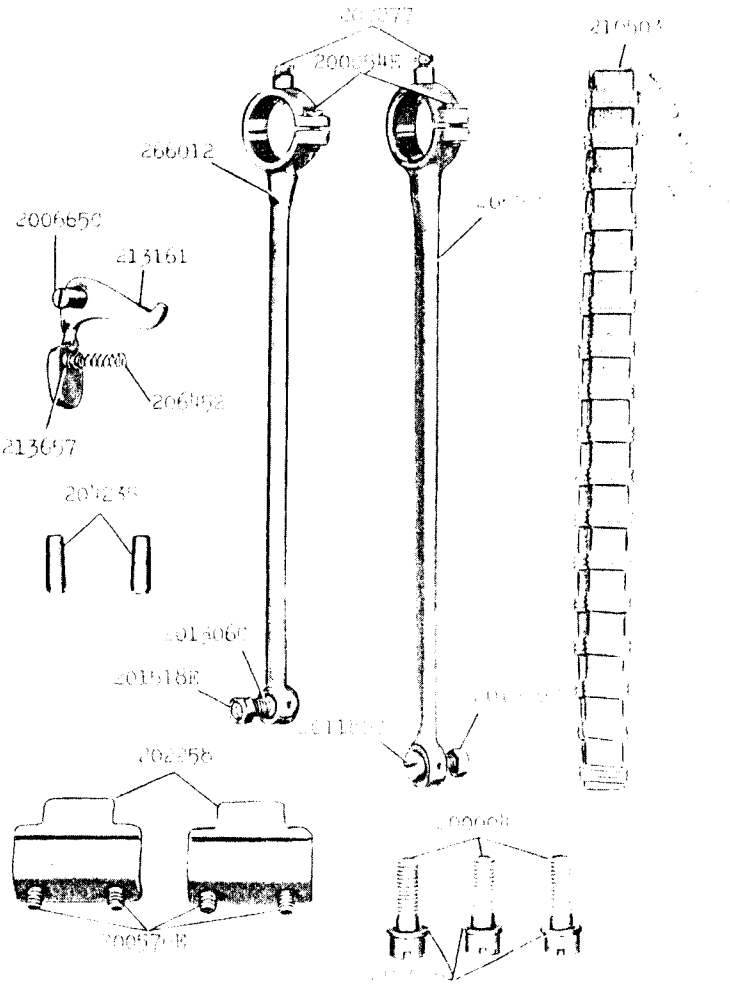
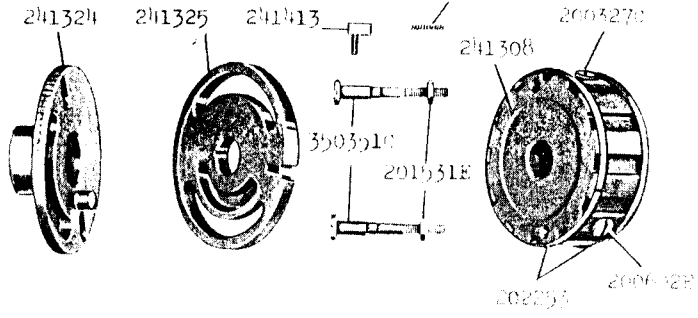


17201 - 3/8

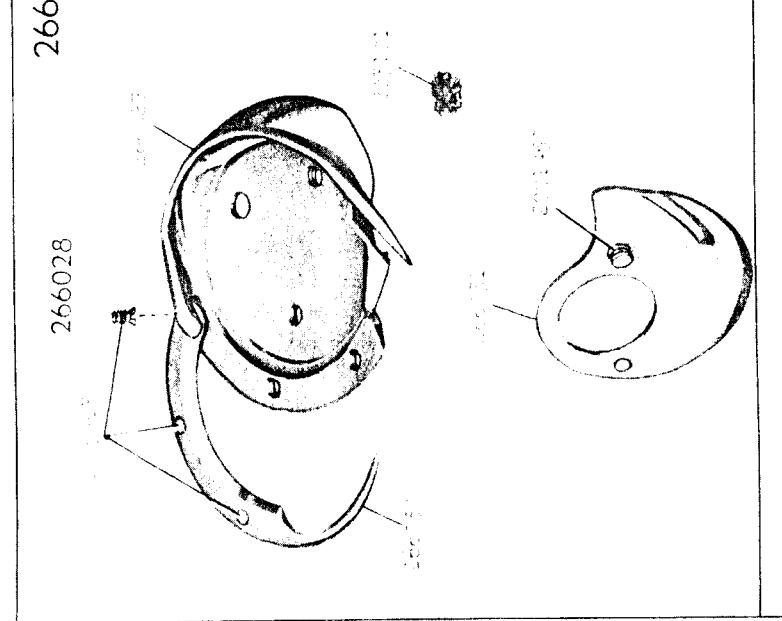
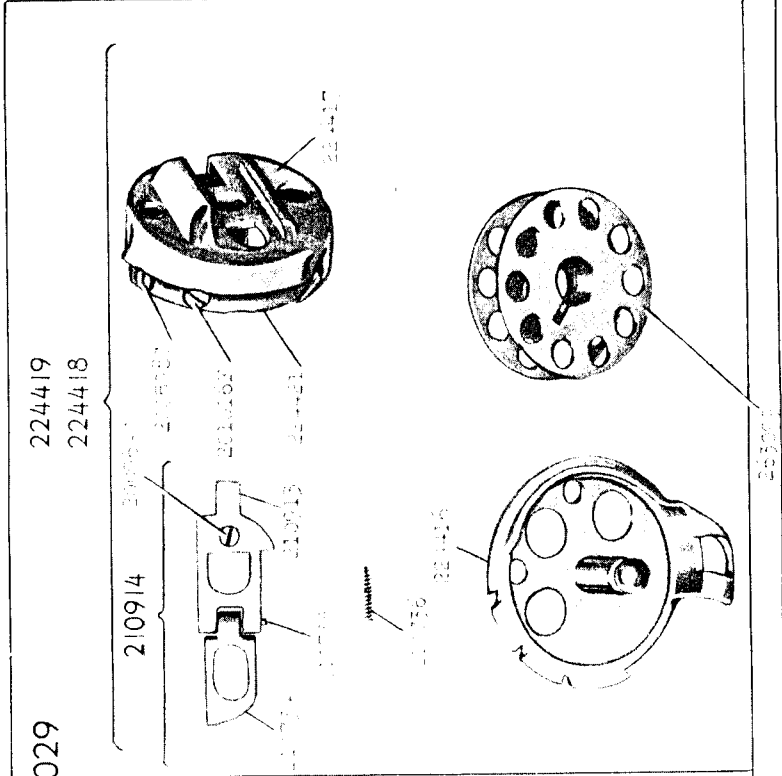


17202 - 3/8

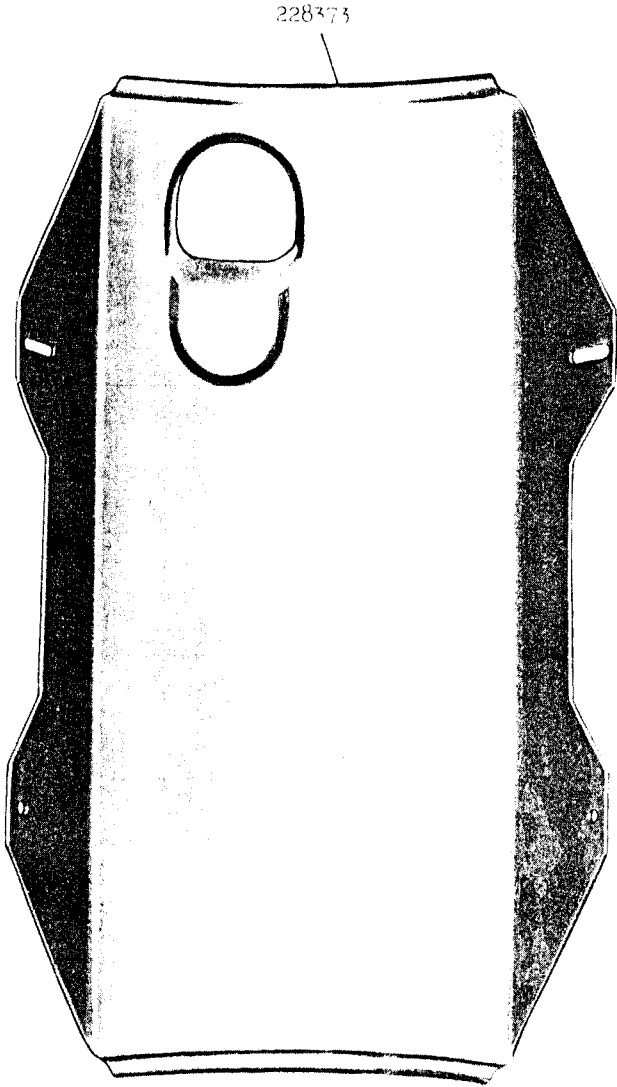
(241309) 241458



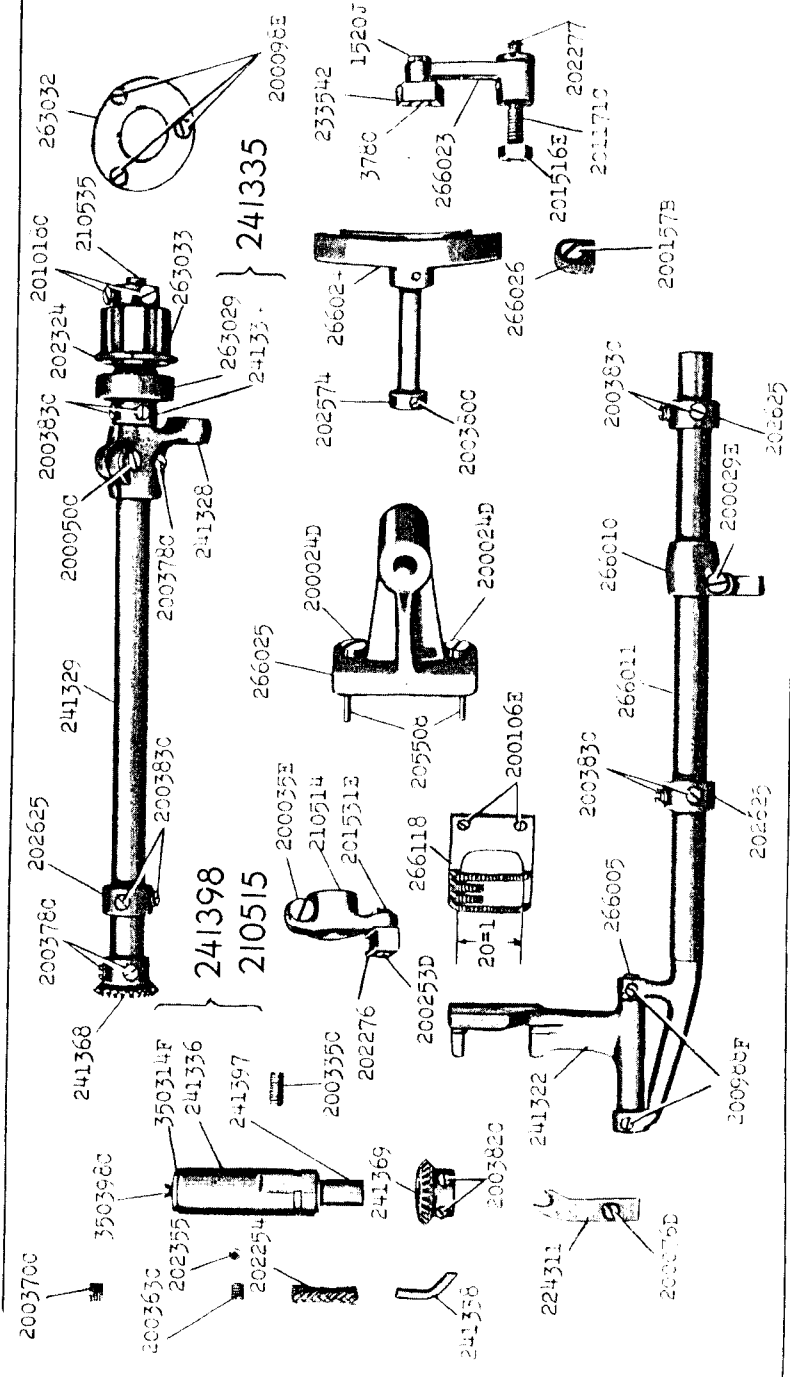
17203

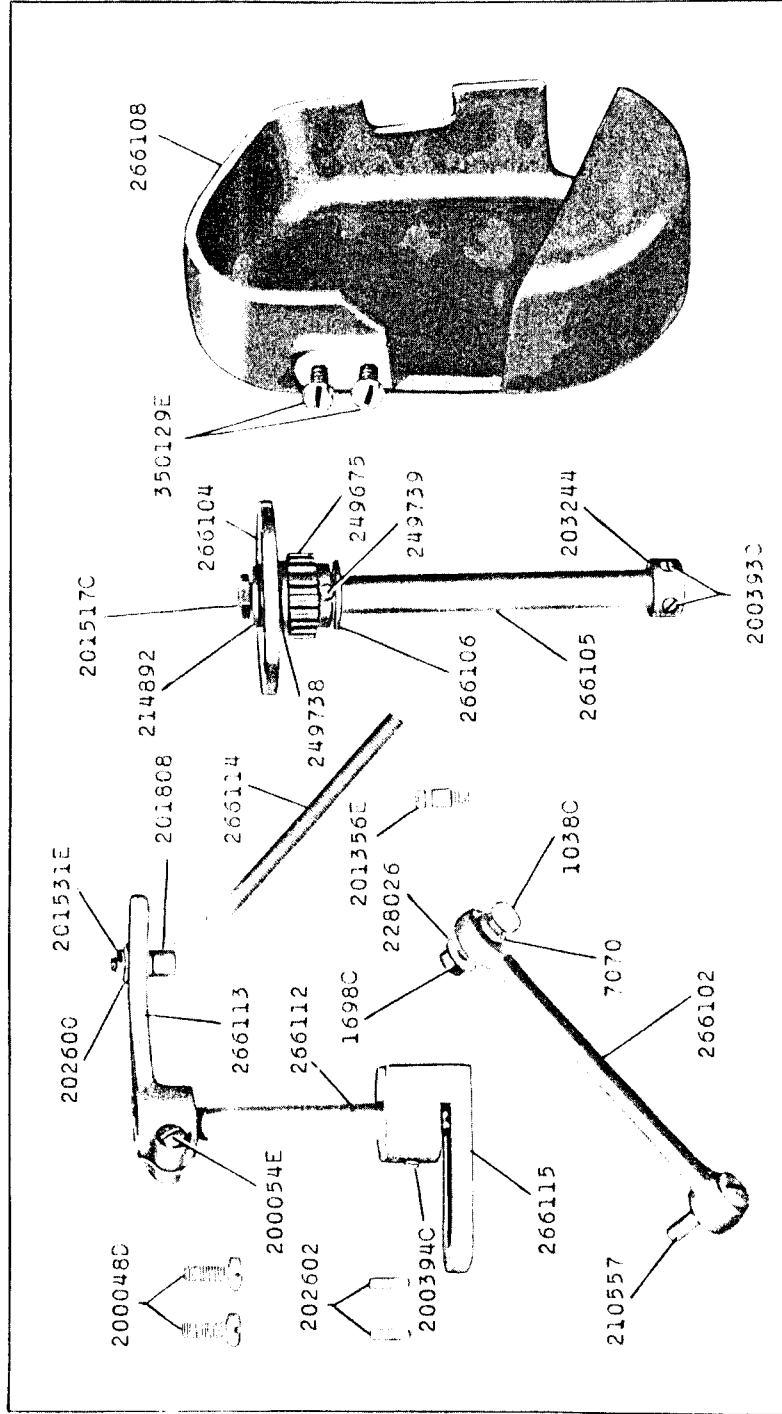
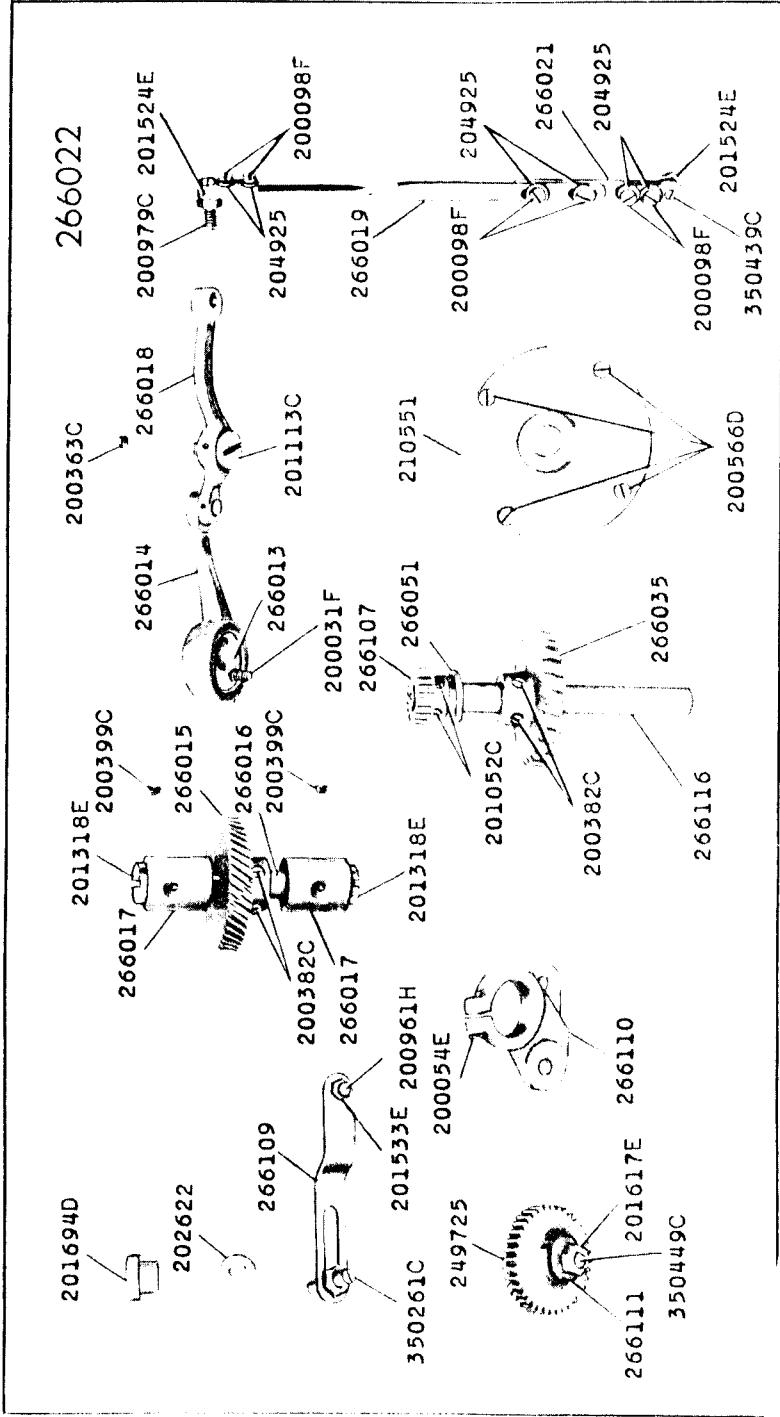


17210 - 3/8



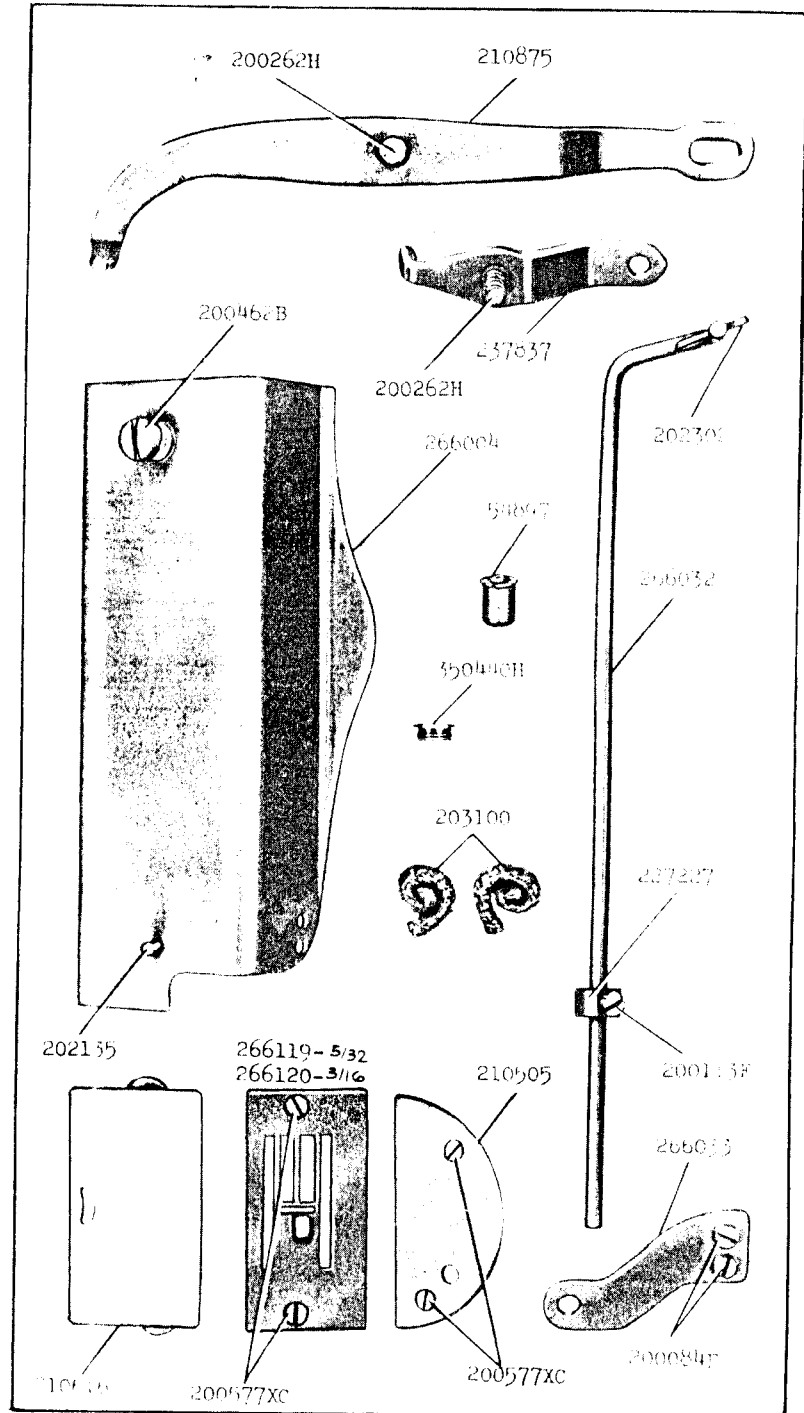
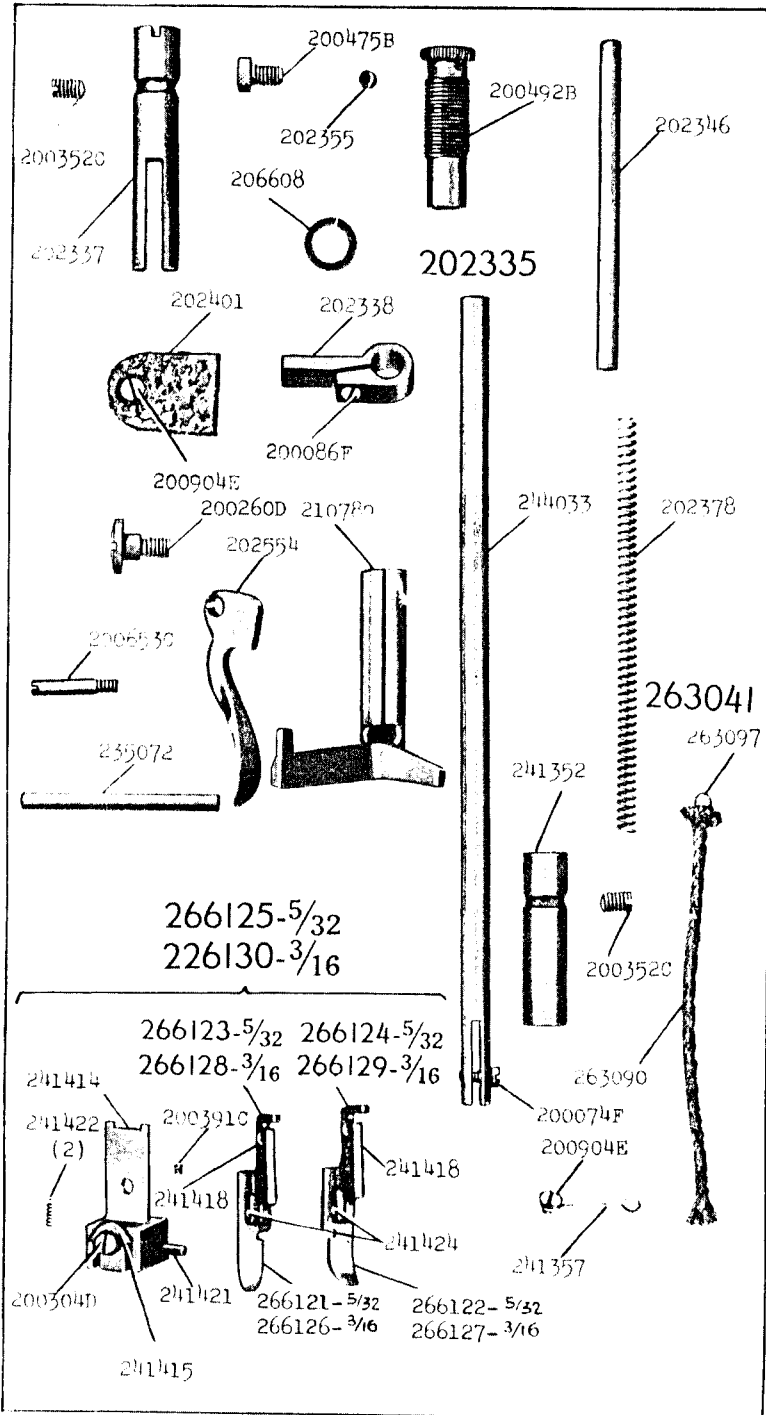
17212 - 1/3

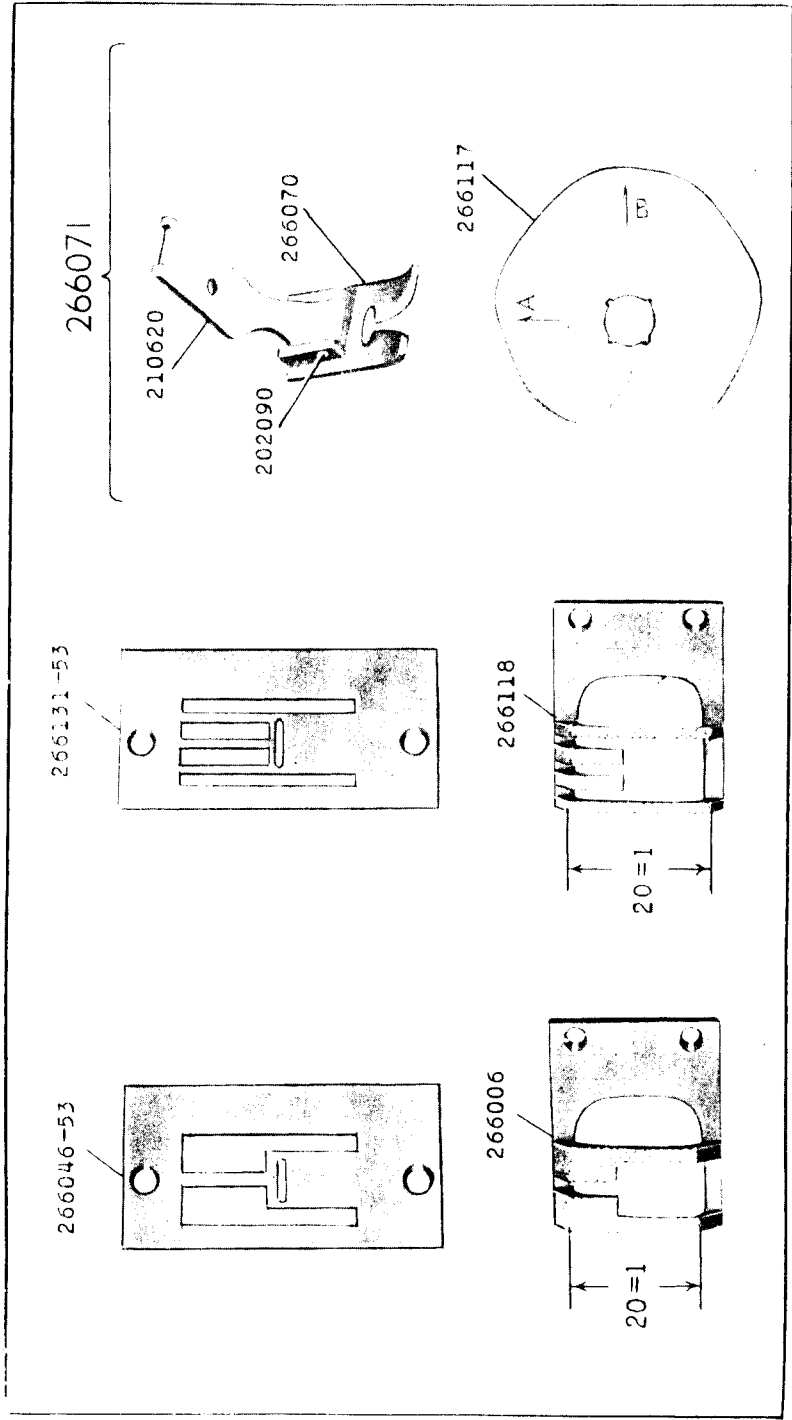
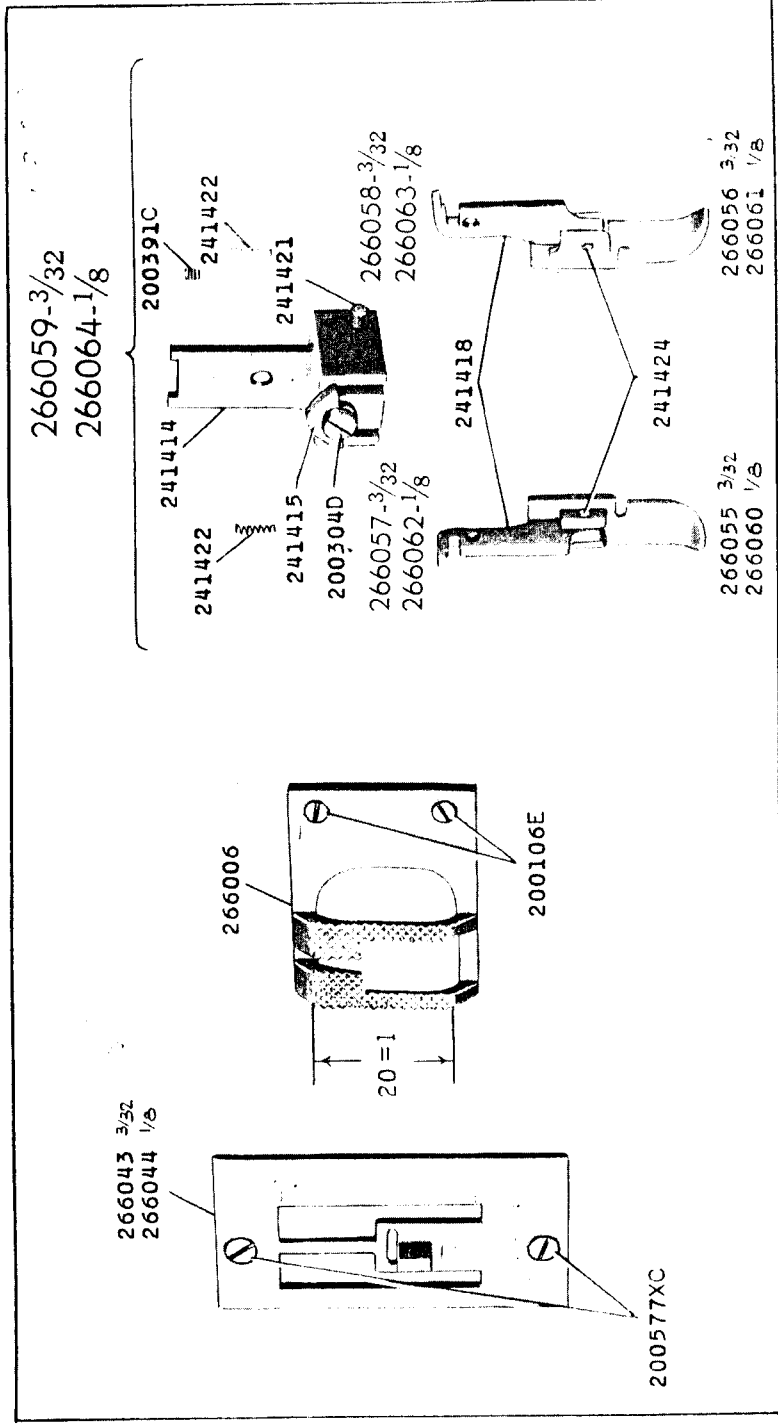




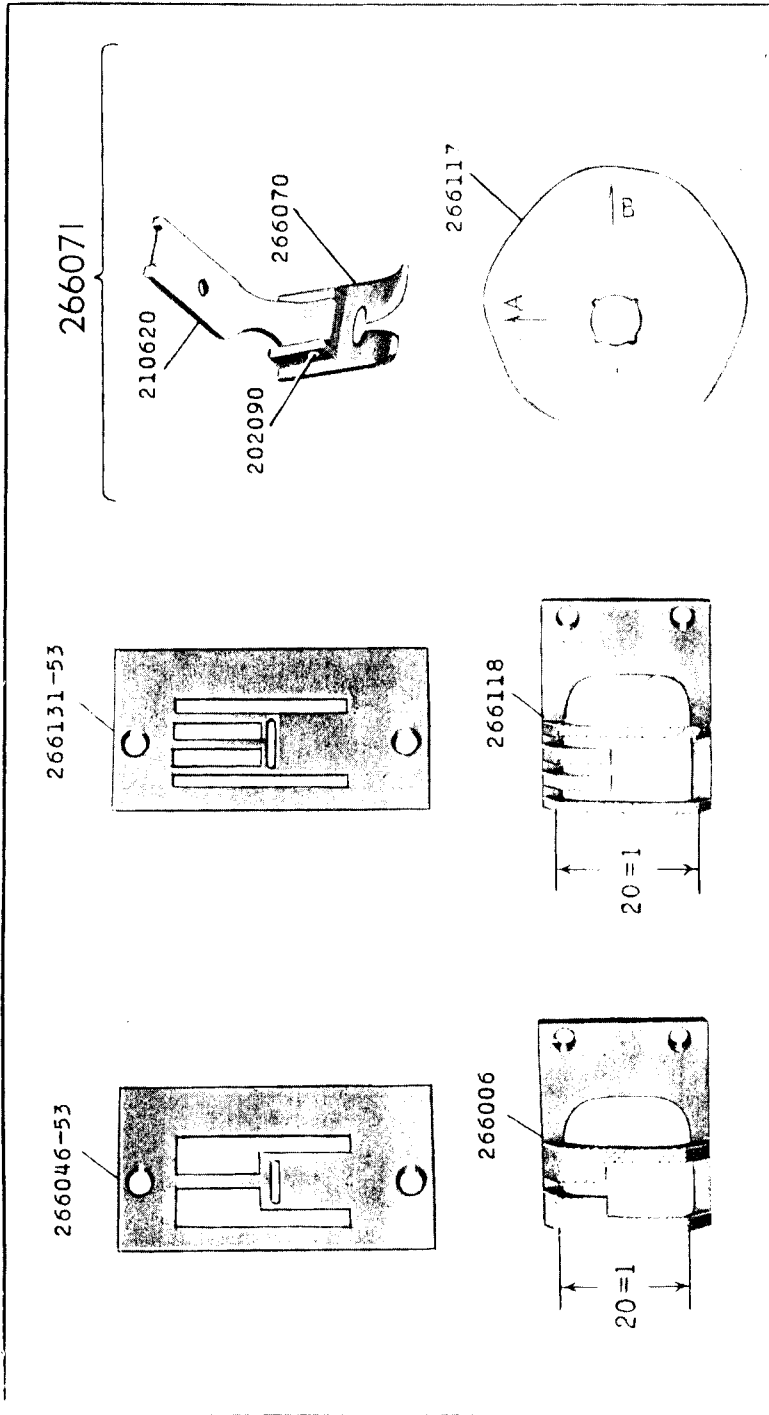
17215 - 1/2

17216 - 1/2





17218 - 2/3



17900 - 1/6

