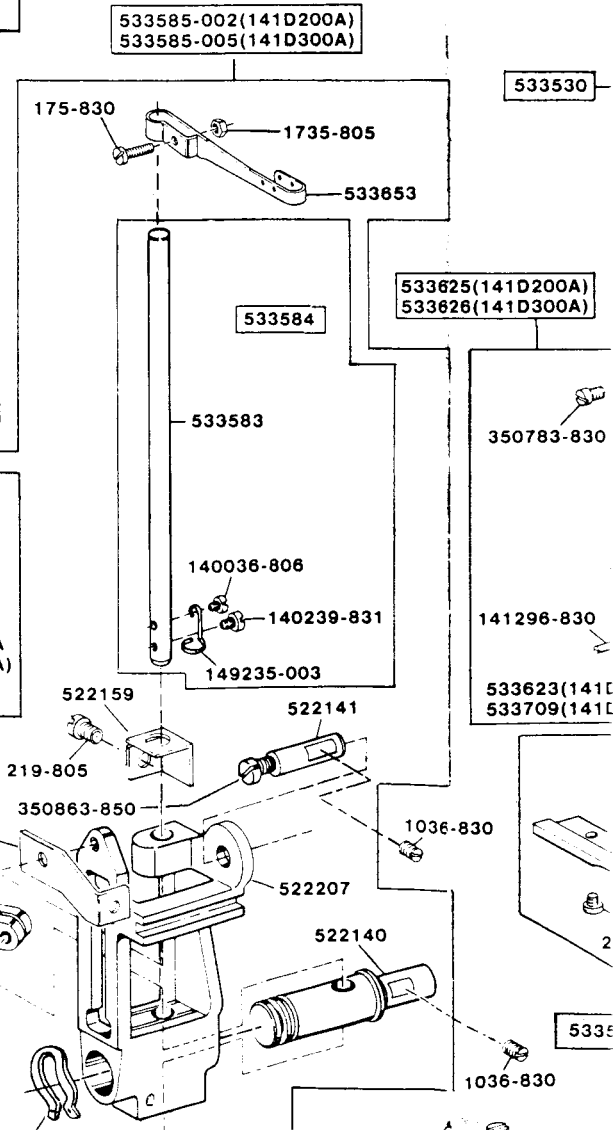
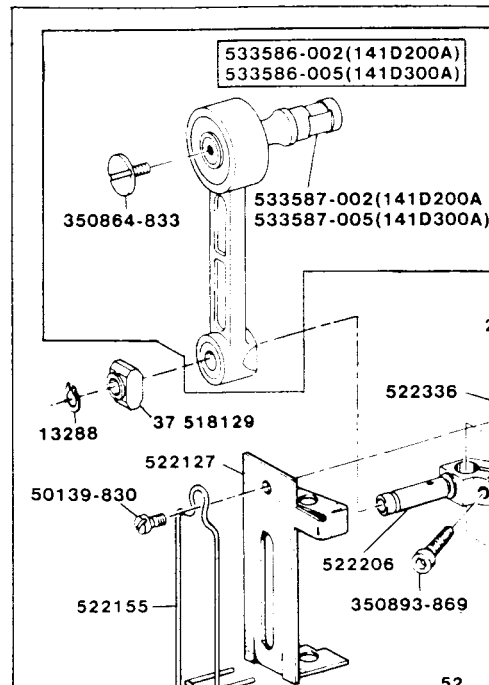
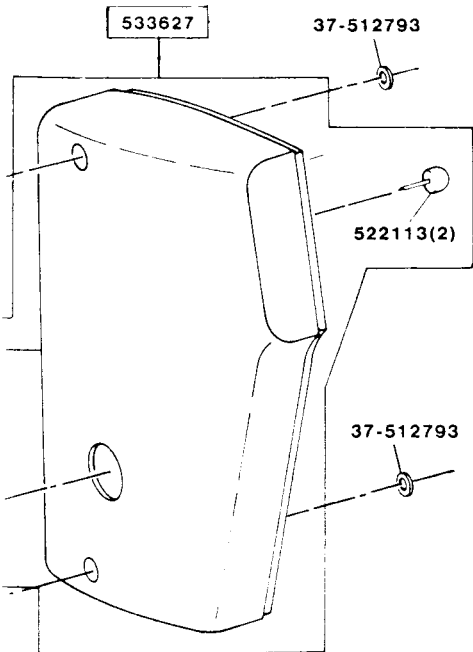
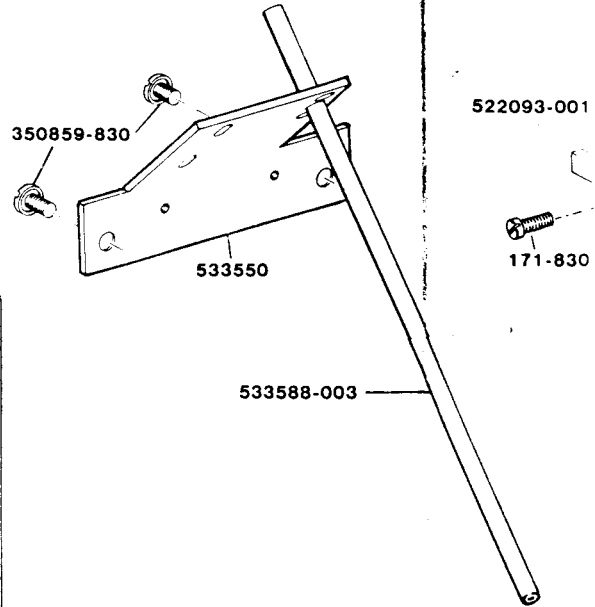
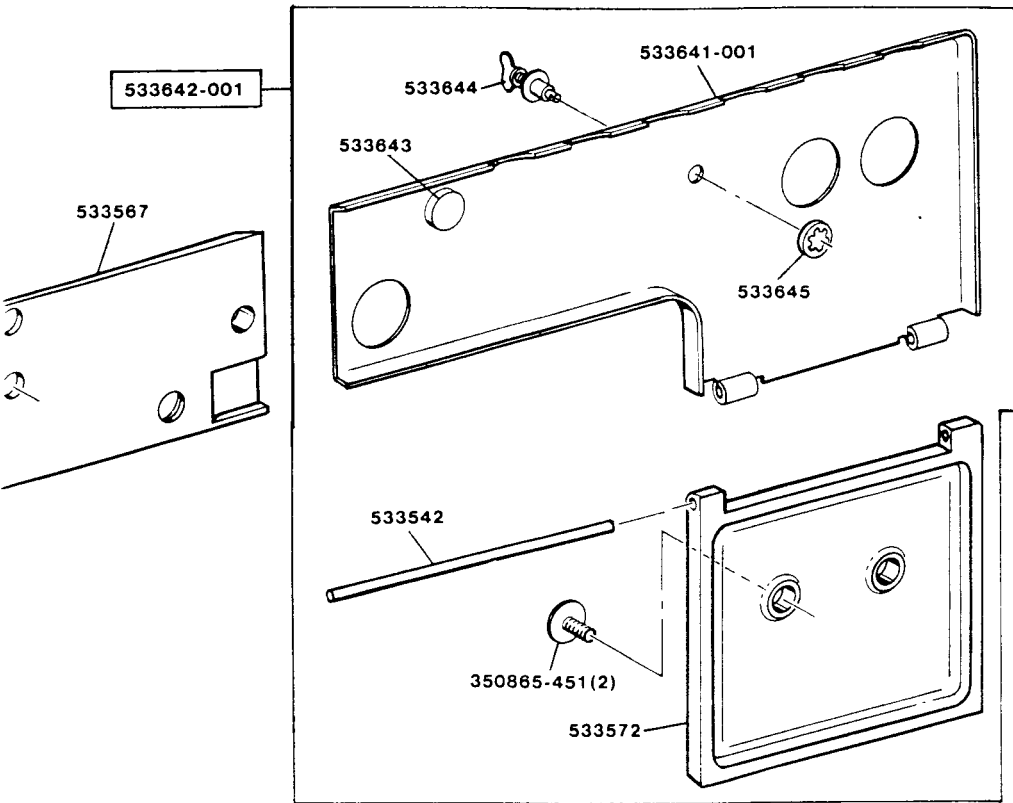
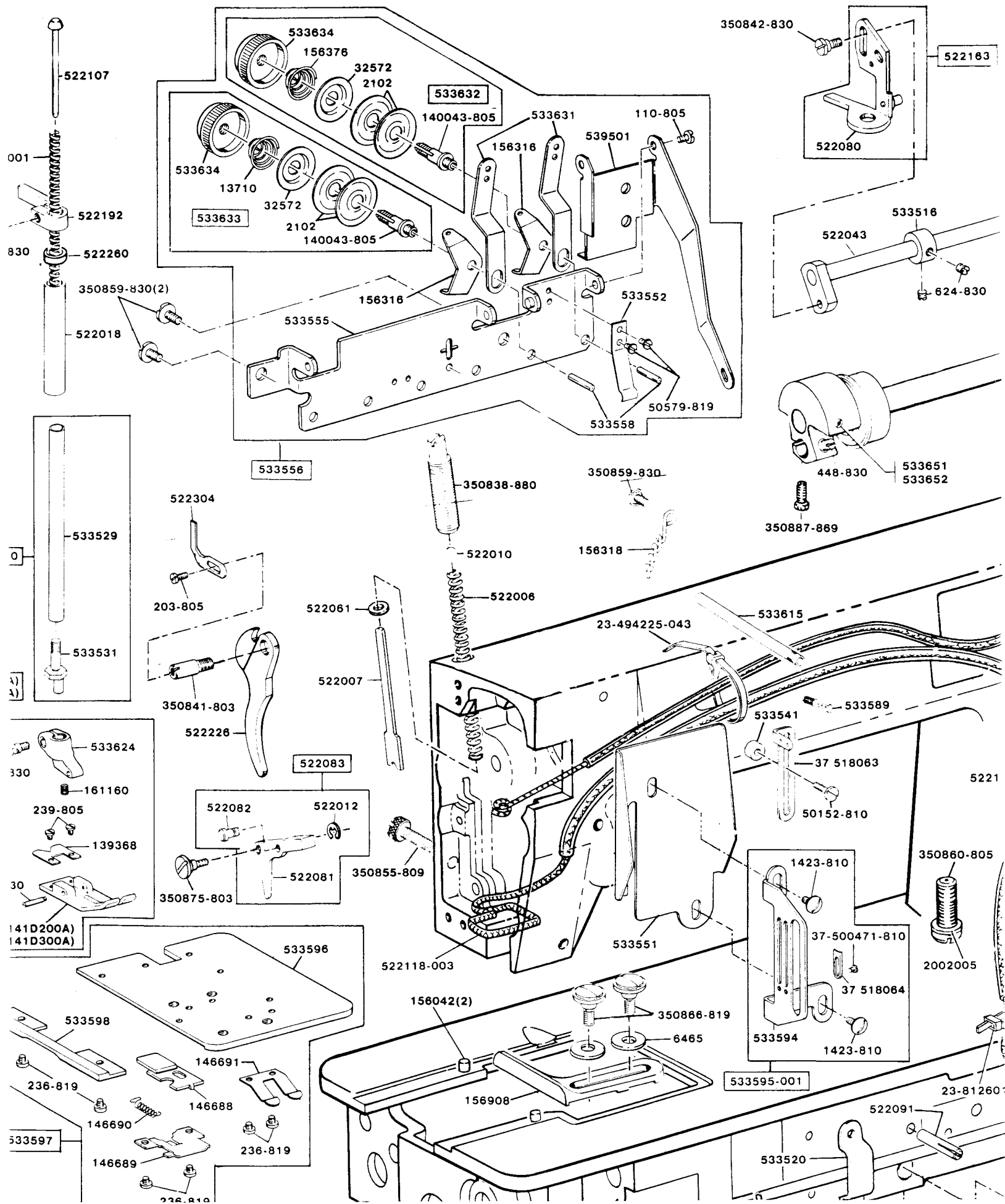


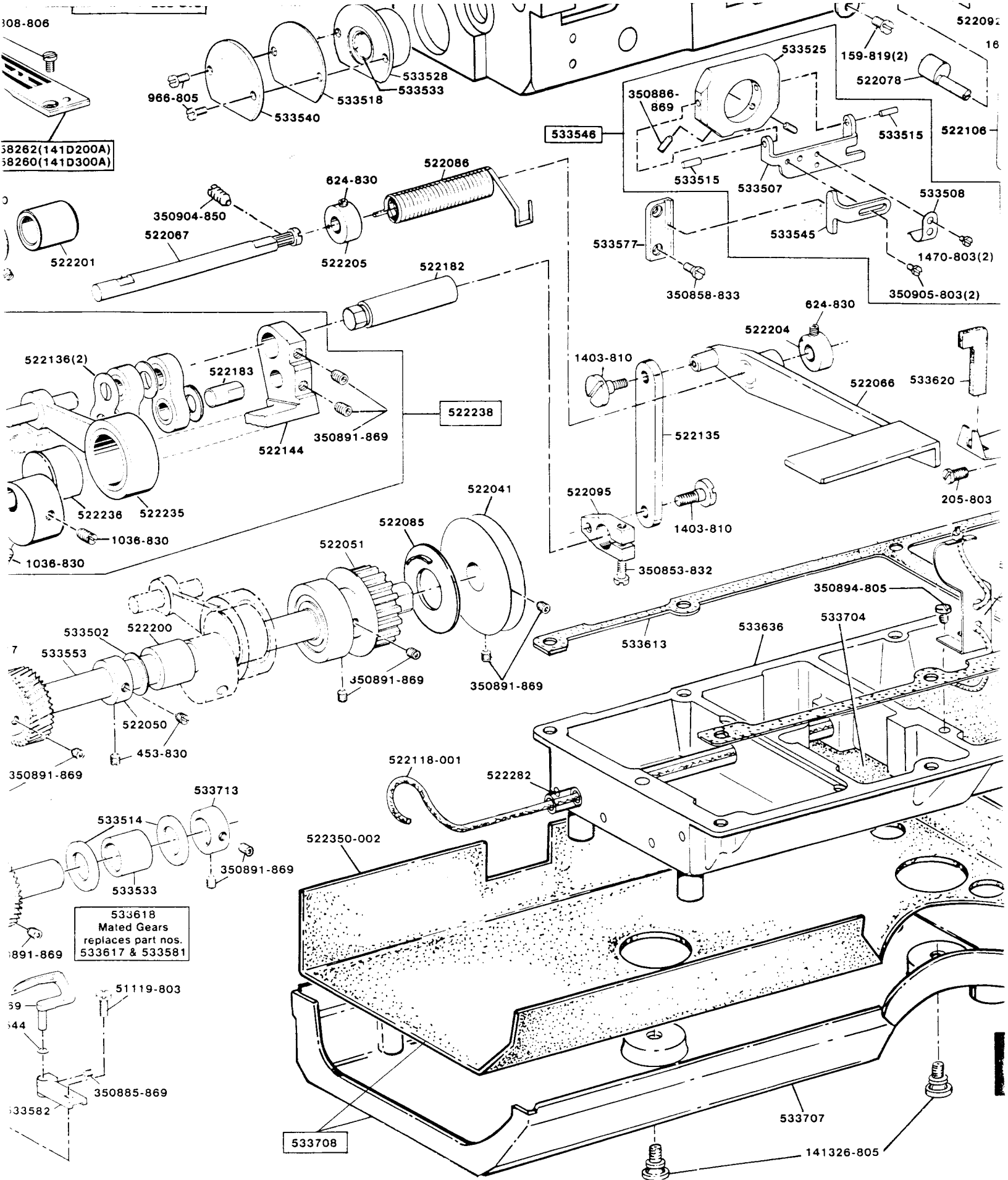
SINGER
141D200A,D300A

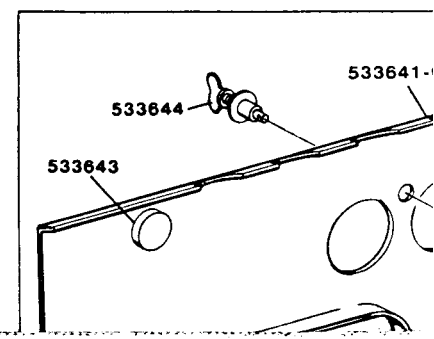
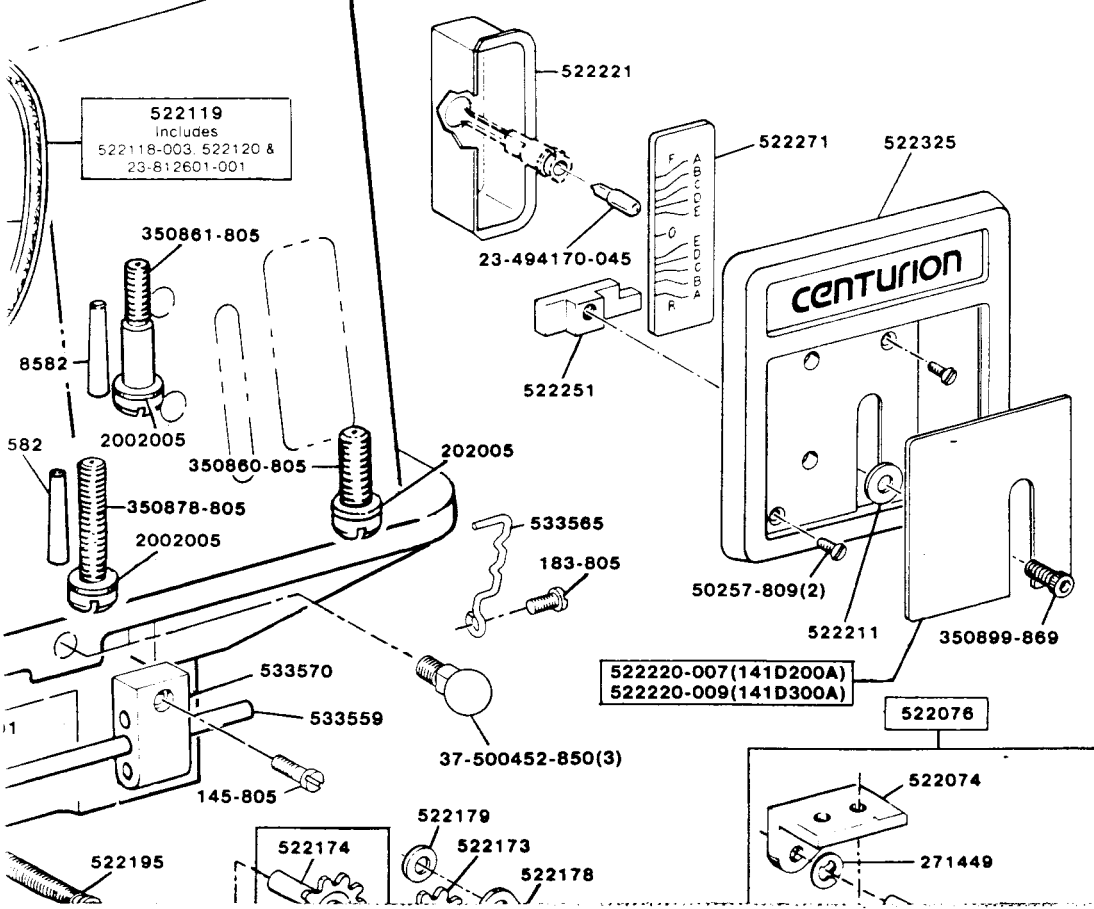
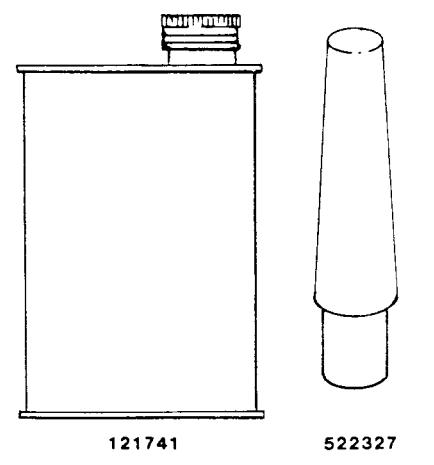
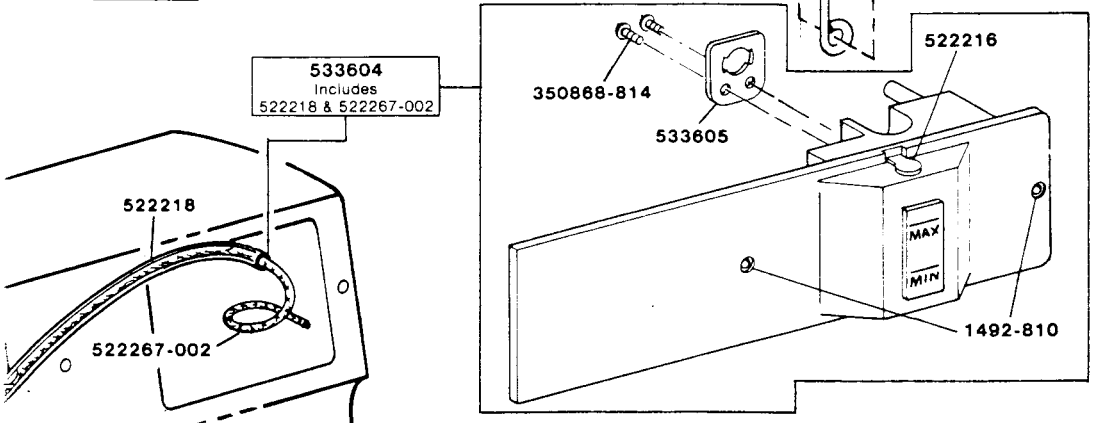
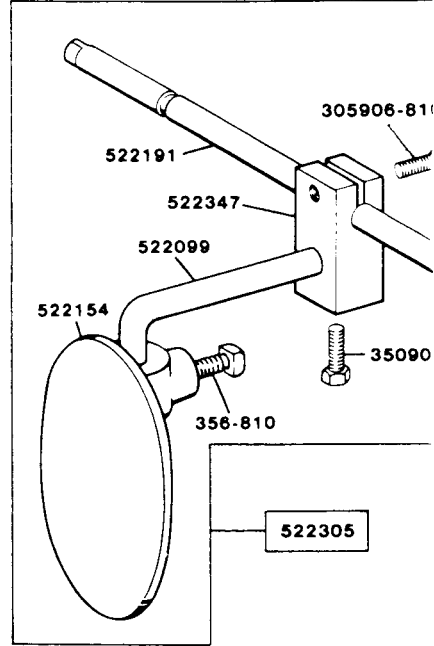
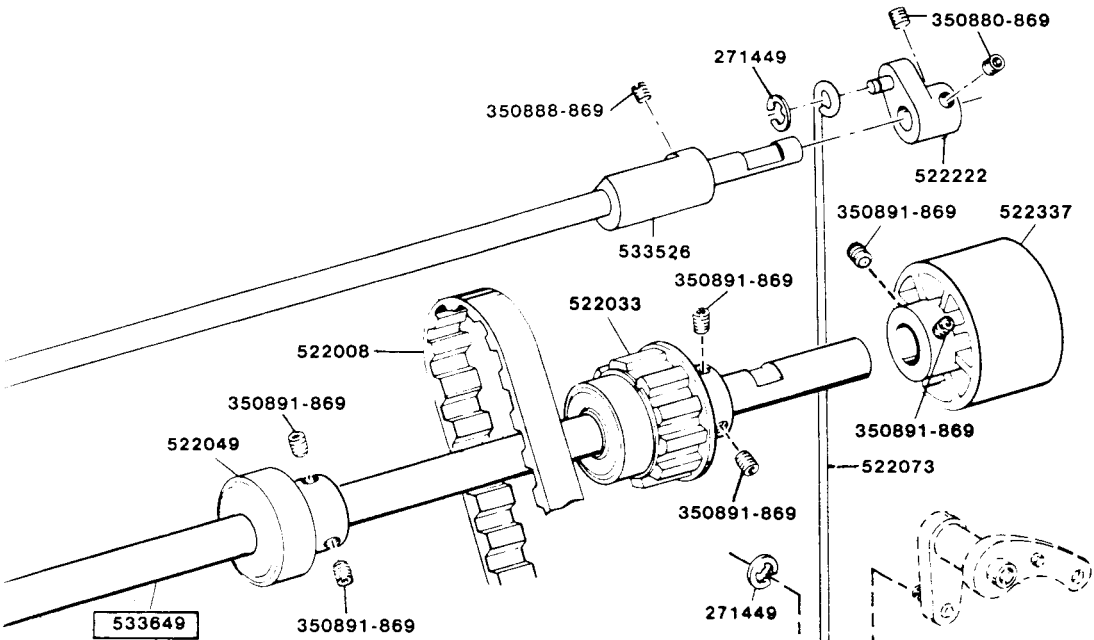
SINGER^{*}

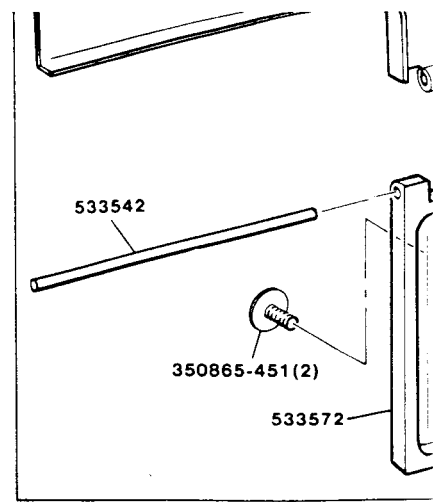
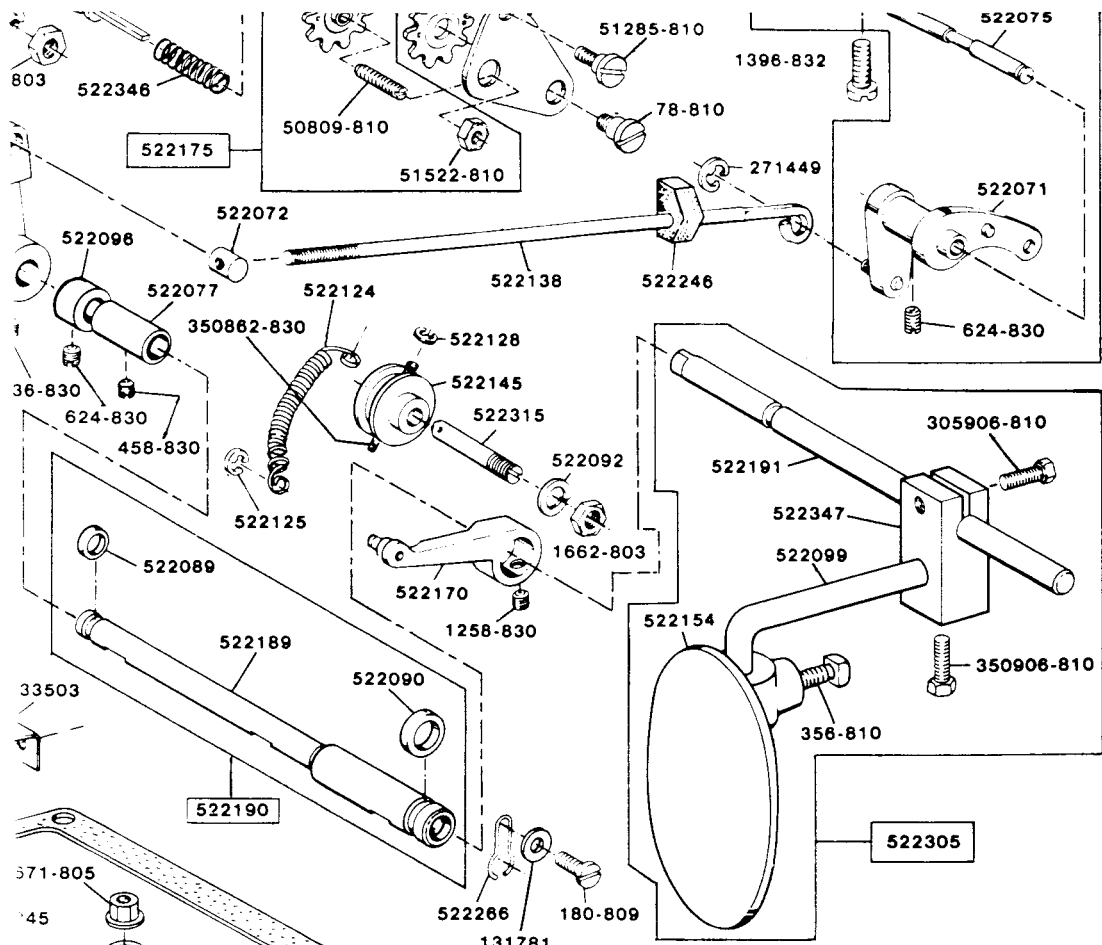
D200A & 141D300A





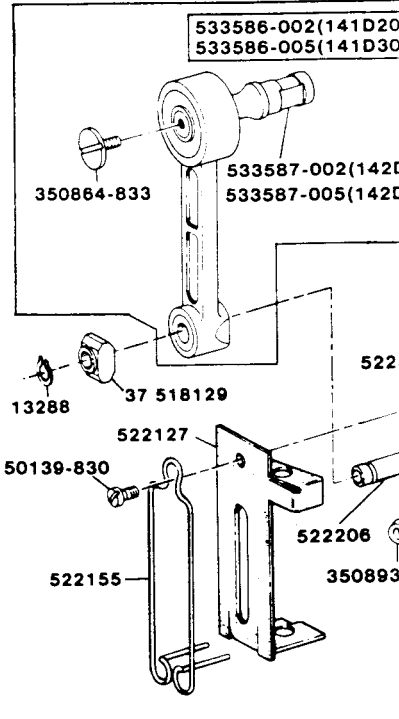
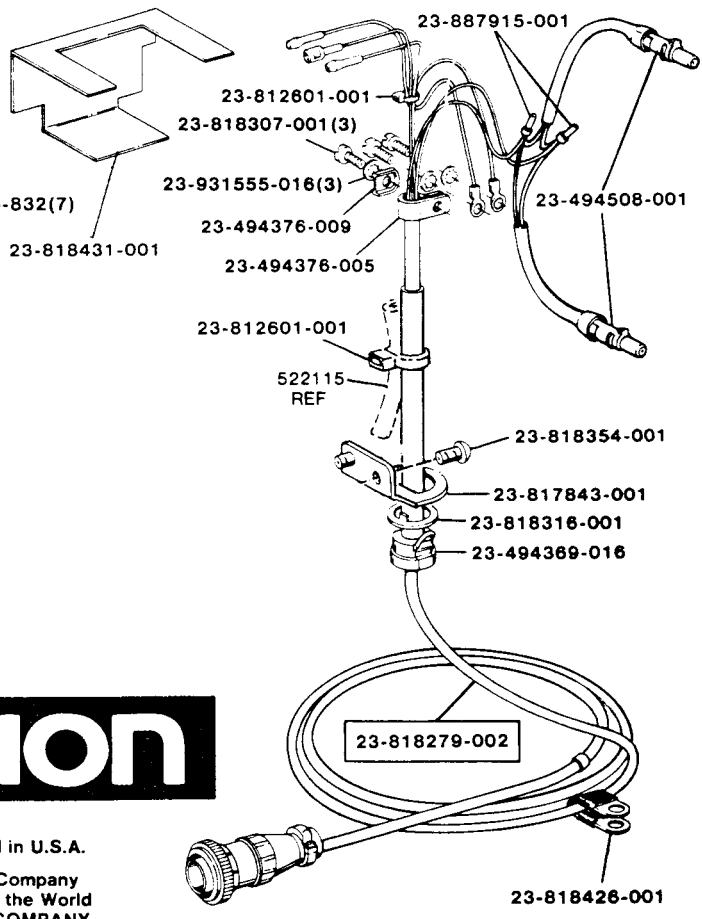
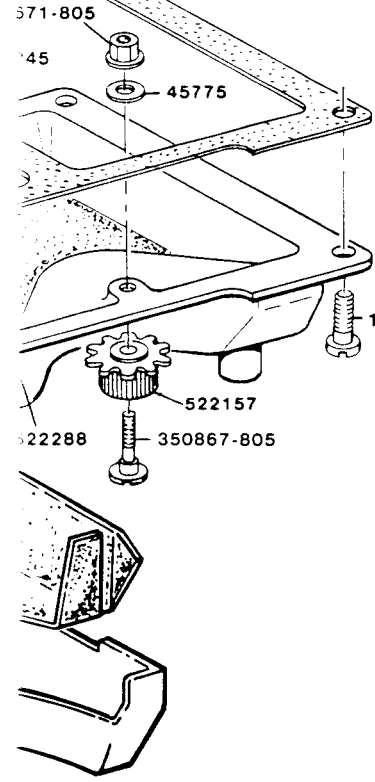
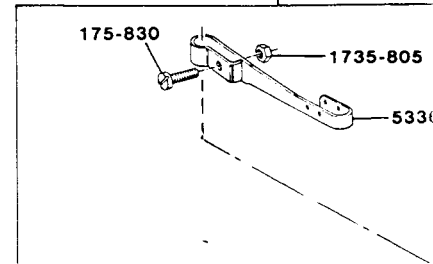






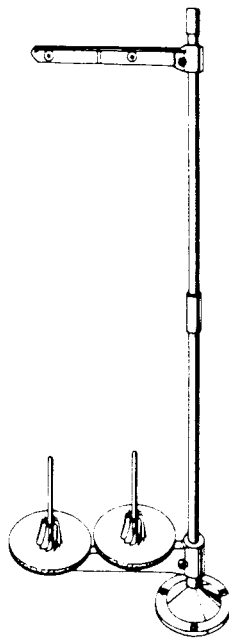
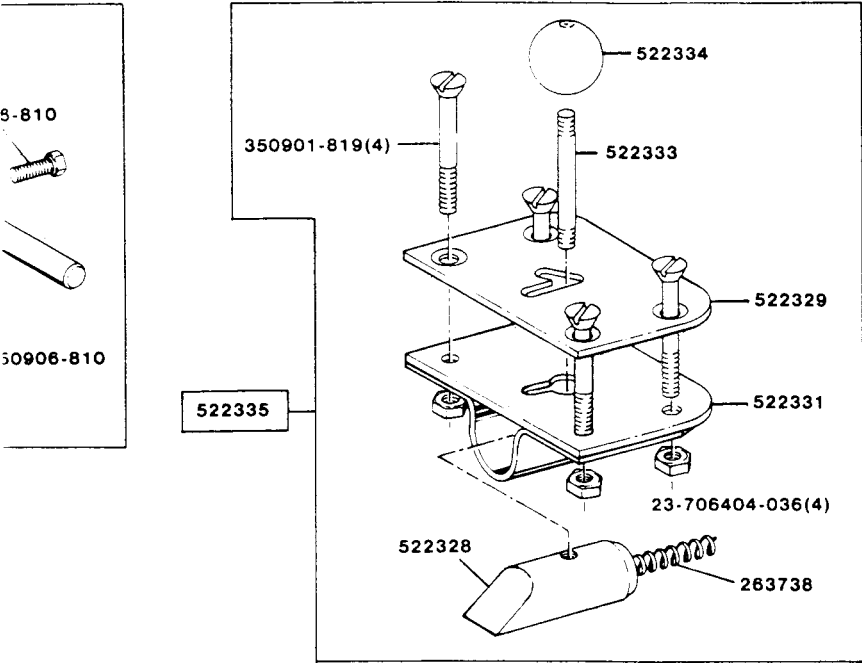
533642-002

533660-002(142D200A)
533660-003(142D300A)



CENTURION

Form 21644(Rev.777) Printed in U.S.A.
Copyright © 1976 The Singer Company
All Rights Reserved Throughout the World
A Trademark of THE SINGER COMPANY



522354
 THREAD STAND FOR
 141D200A & 141D300A

13-21644
 PICTORIAL PARTS LIST

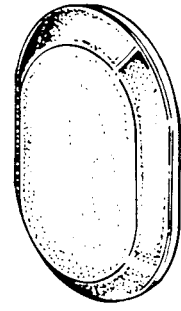
13-21695
 OPERATORS GUIDE

13-21633
 SERVICE MANUAL

13-21710
 CAUTION CARD

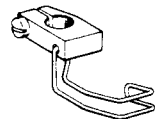
N-3650 SIZE 16
 NEEDLE FOR
 141D200A & 142D200A

N-3650 SIZE 19
 NEEDLE FOR
 141D300A & 142D300A

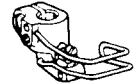


150668

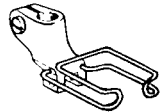
522093-002



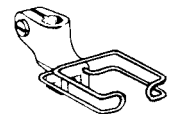
37-518558
 FINGER GUARD FOR
 141D200A & 141D300A



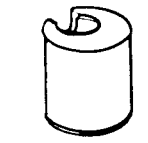
37-518556
 FINGER GUARD FOR
 141D200A & 141D300A



533672
 FINGER GUARD FOR
 142D200A & 142D300A



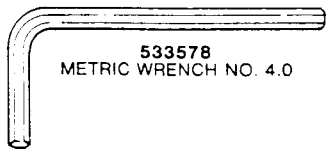
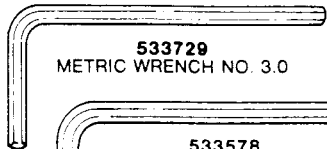
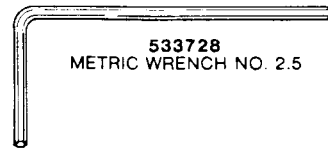
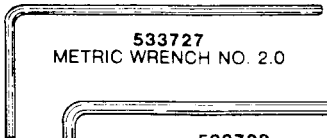
533674
 FINGER GUARD FOR
 142D200A & 142D300A



37-512797

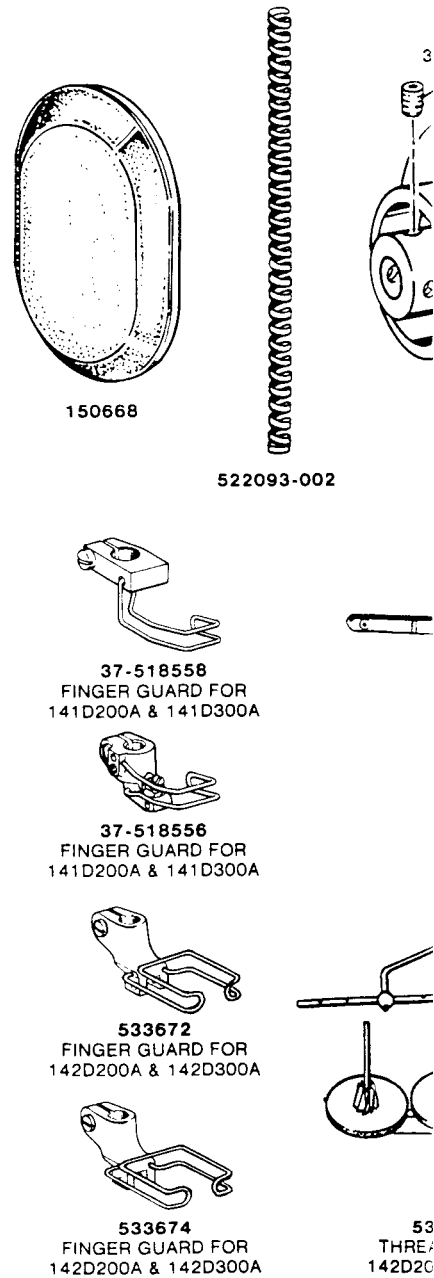


161294



37-513305

ACCESSORIES



OPTIONAL

142D200A & 142D300A

