

SINGER

PARTS LIST OF MODEL

143B6 LOWER FEED

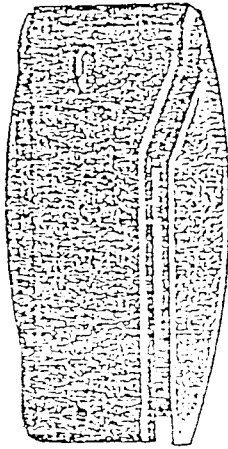
143B6R LOWER FEED WITH PULLER

15007
Y Y Y Y Y Y

1805



1806



1427

1427

10682

110635

11006



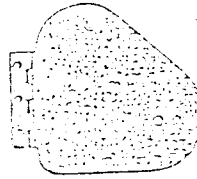
13078-02

• 15038

1803



15039



1849

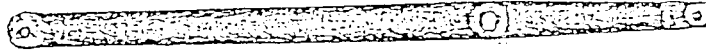
1851

1850

13023

10699

1431



2058

1432



3025

17056

8093

8046

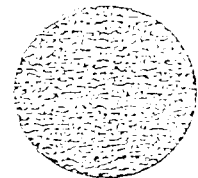
8050

6339



6350

1433

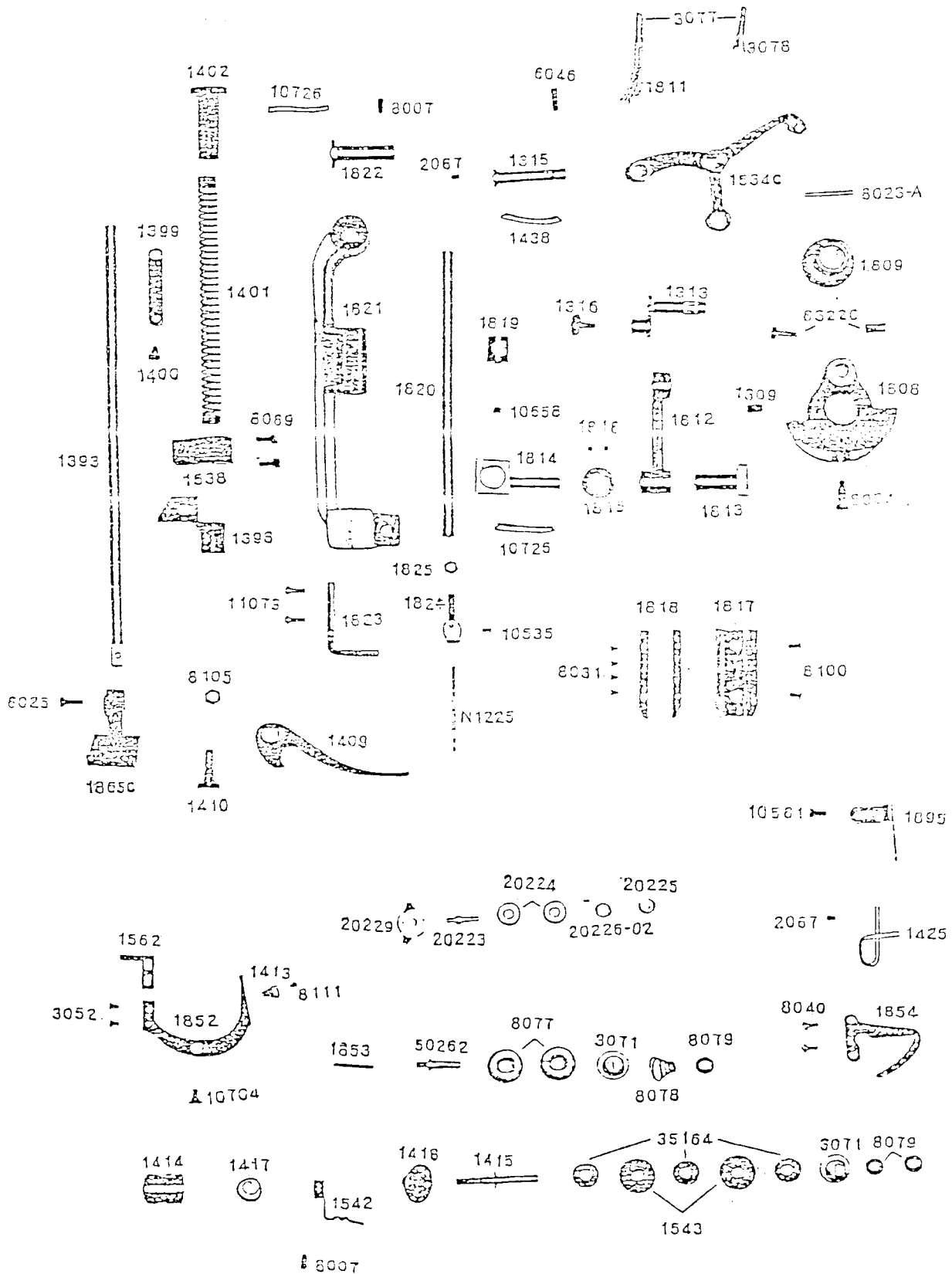


8094

Y Y Y Y Y Y

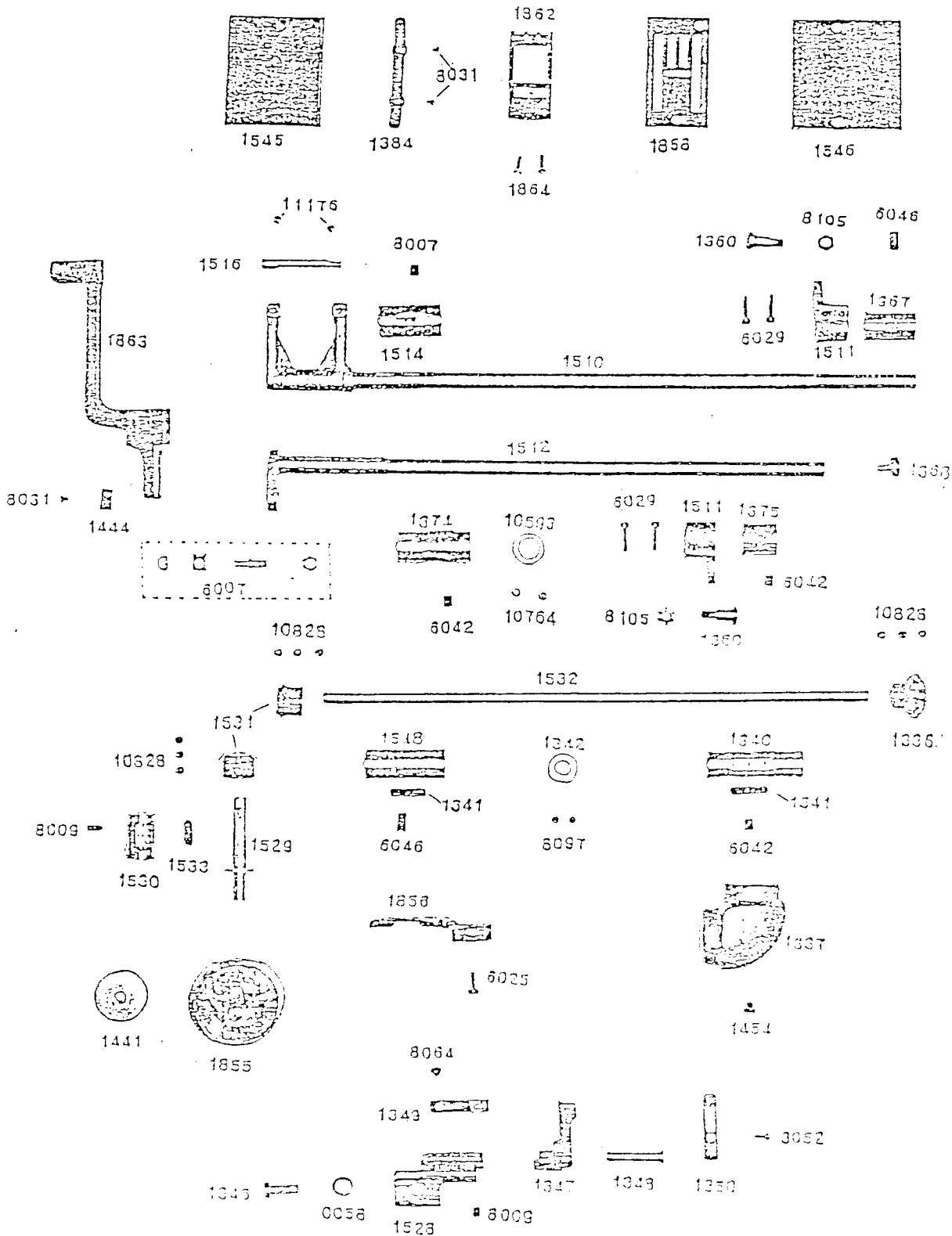
10794

NOTE: WHEN ORDERING PARTS, PREFIX ALL NUMBERS WITH CS, EXAMPLE CS _____

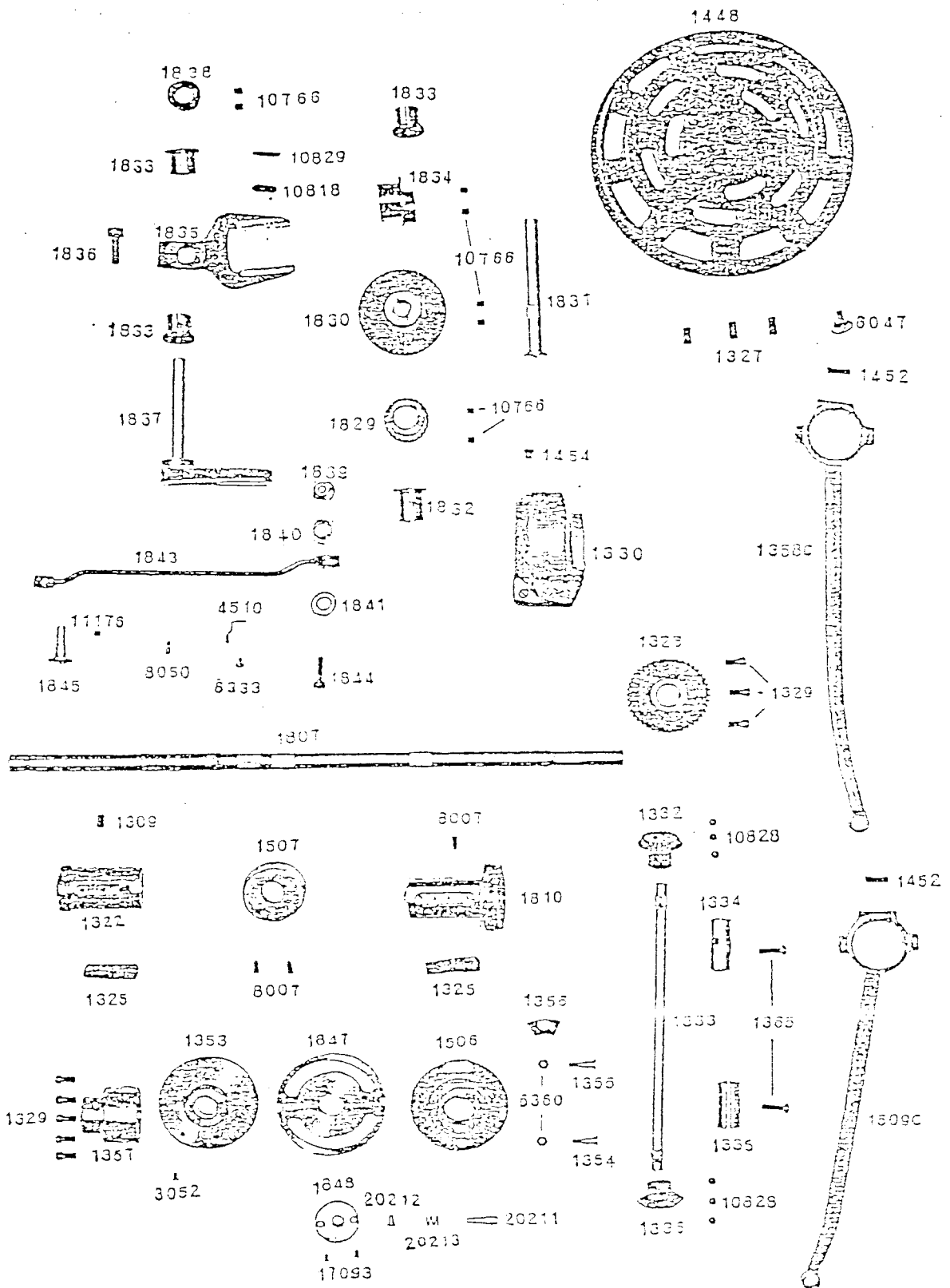


NOTE: WHEN ORDERING PARTS, PREFIX ALL NUMBERS WITH CS, EXAMPLE CS

Y Y-1850-Y Y



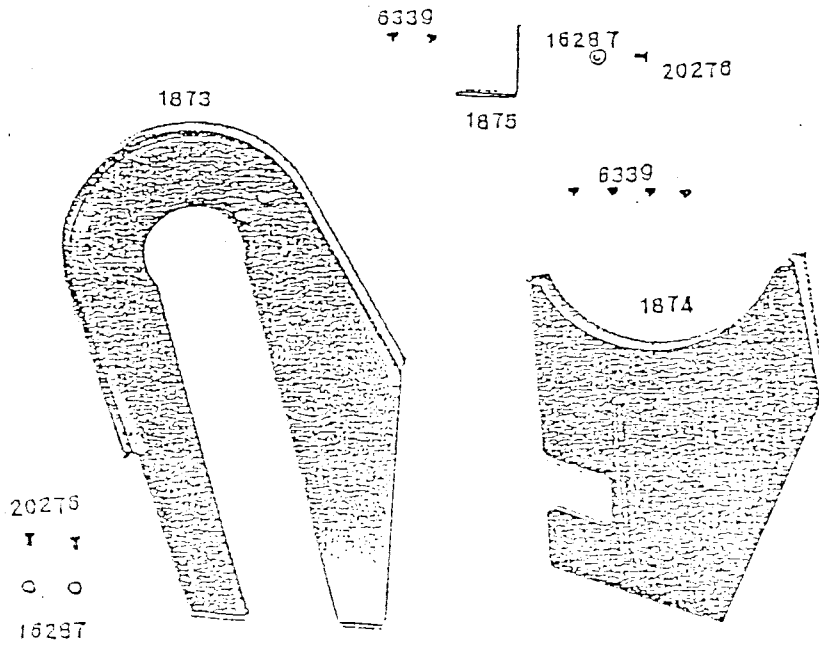
NOTE: WHEN ORDERING PARTS, PREFIX ALL NUMBERS WITH CS, EXAMPLE CS _____



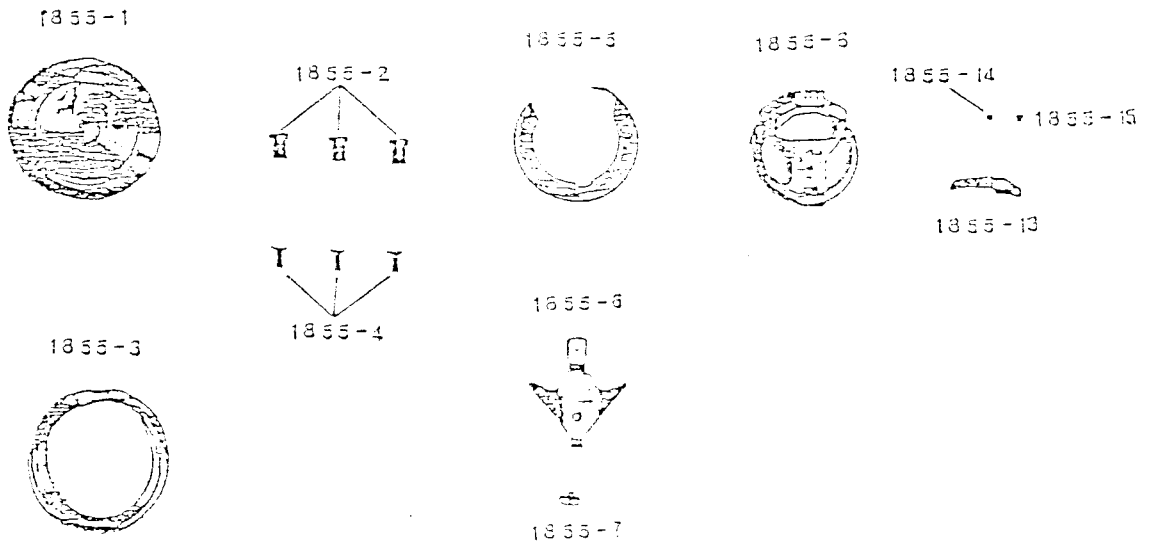
NOTE: WHEN ORDERING PARTS, PREFIX ALL NUMBERS WITH CS, EXAMPLE CS _____

BELT GUARD - Optional Equipment

(set No. is 1873C)

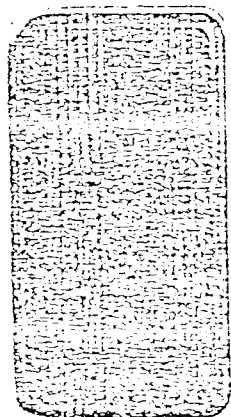


HOOK PARTS

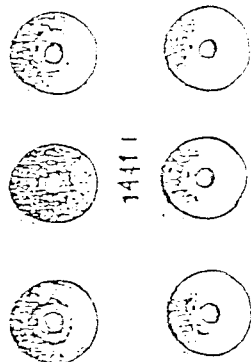


NOTE: WHEN ORDERING PARTS, PREFIX ALL NUMBERS WITH CS, EXAMPLE CS _____

8132



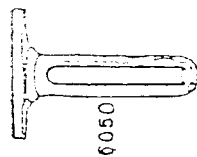
8124



1441 I



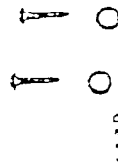
N1225



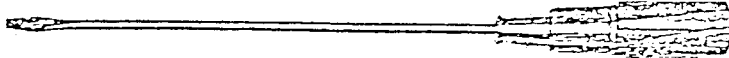
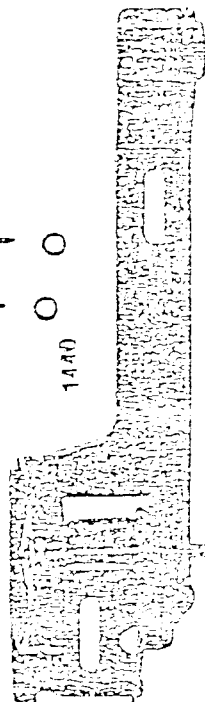
6050



7017



1440



8118



4202



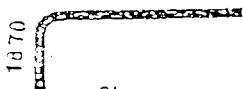
8120



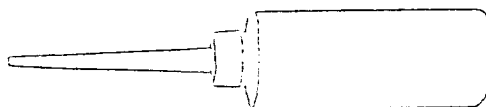
1871



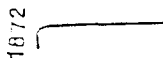
8121



1870

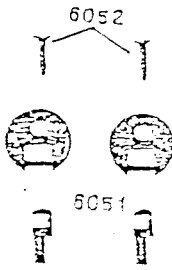
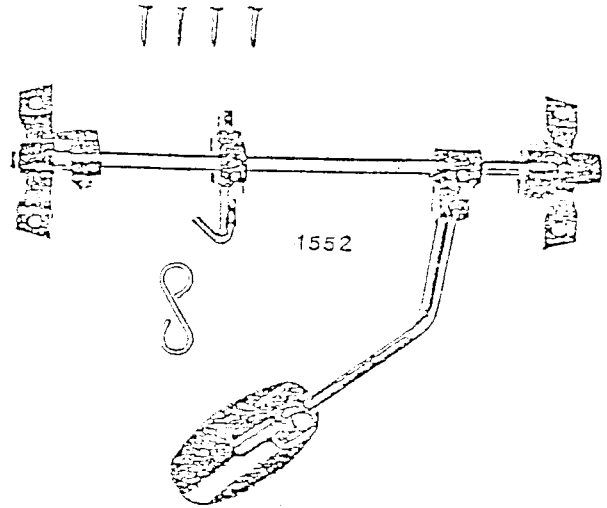
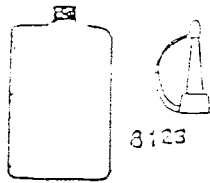
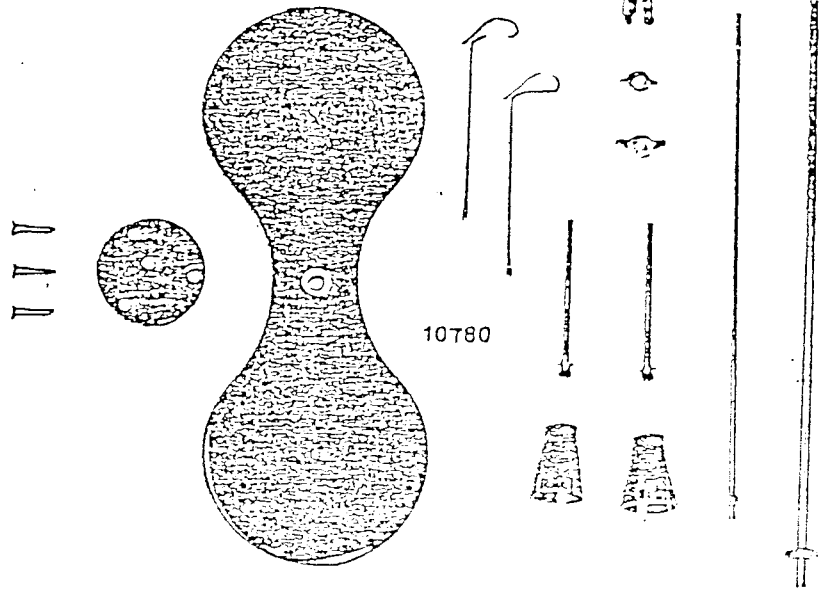


8125



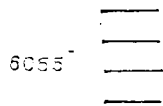
1872

NOTE: WHEN ORDERING PARTS, PREFIX ALL NUMBERS WITH CS, EXAMPLE CS _____



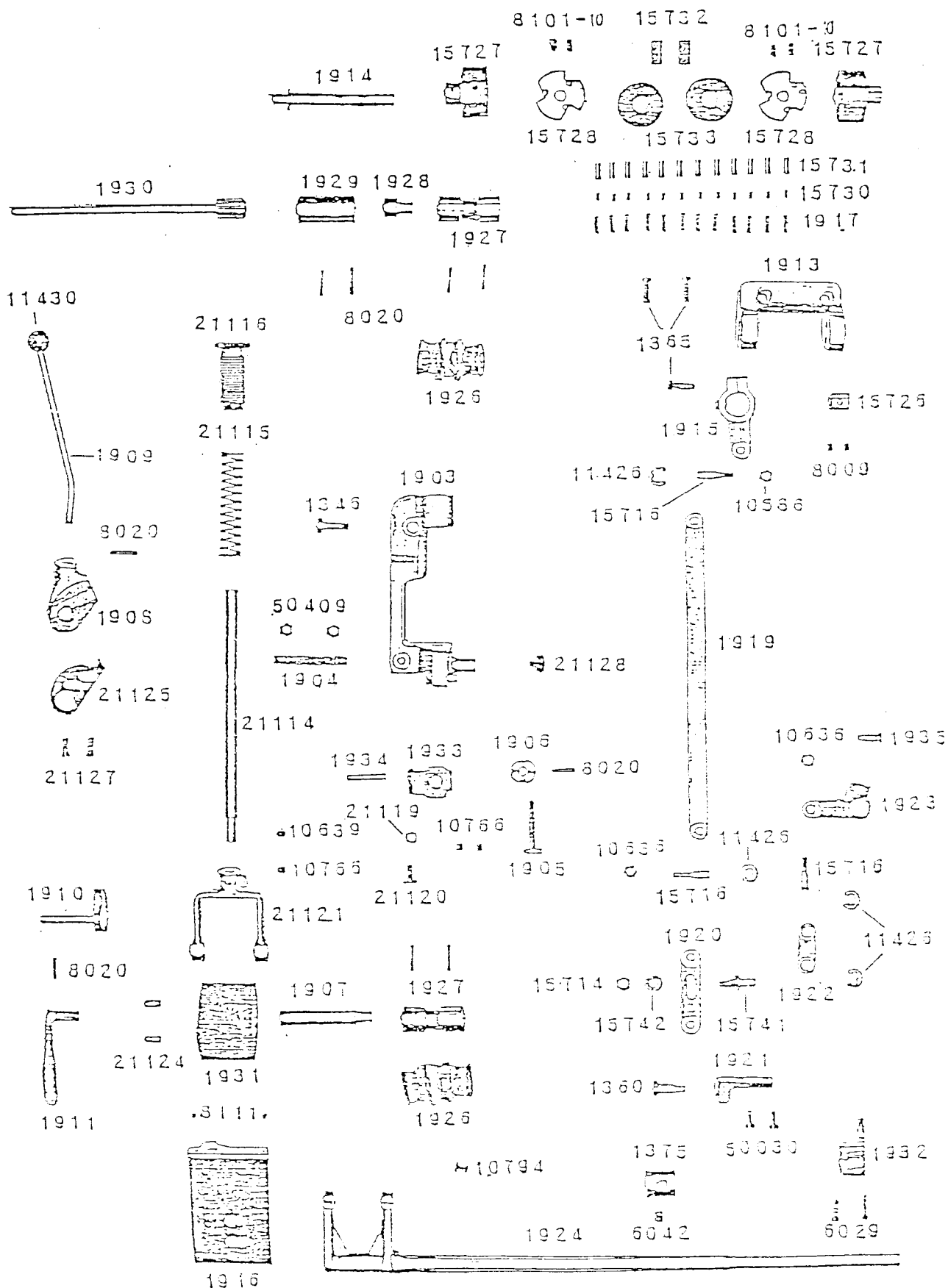
2-11176-3

1553



NOTE: WHEN ORDERING PARTS, PREFIX ALL NUMBERS WITH CS, EXAMPLE CS _____

Floth Puller (MODEL 143B6R)



NOTE: WHEN ORDERING PARTS, PREFIX ALL NUMBERS WITH CS, EXAMPLE CS _____