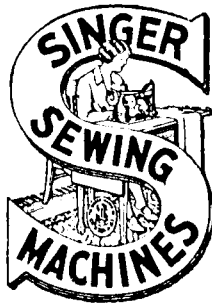


**SINGER**

**143W1**

2308w  
(736)  
PRINTED IN U. S. A.

# LIST OF PARTS



## MACHINE No. 143w1

THE SINGER MANUFACTURING COMPANY

## INDEX

---

	Page
Accessories .....	14
Bobbin Winder .....	14
Fittings for Various Lines of Work .....	17
Knee Lifter .....	15
Machine No.143w1 .....	5
Miscellaneous Parts .....	21
Numerical List of Parts .....	23
Thread Unwinder .....	15

# INSTRUCTIONS FOR ORDERING

In ordering from this list, use **ONLY** the **PART** number in the **FIRST** column.

The number stamped on a Sewing Machine Part is the number of the Single Part only, except when the part includes Set Screws, Clamping Screws, Studs and Rollers Spun on, Small Wires riveted, or Parts soldered together, etc., which it is necessary to furnish in combination.

Every combination of parts sent out has its specific number which, although not stamped on Parts (except in above case), must be used when ordering the combination.

Each number always indicates the **SAME PART** in whatever list it appears, or for whatever Machine.

The letters after some of the numbers indicate the style of finish only, as follows:

- A. Hardened, Polished and Plated.
- B. Polished and Plated.
- C. Hardened only.
- D. Polished only.
- E. Soft, not polished.
- F. Hardened and Polished.
- H. Blued.
- J. Nickel Plated only.
- R. Merlized.
- Y. Black Nickel Plated only.

These letters **MUST BE USED** when they appear in the list and **AFTER** the number, as in the list.

In this series

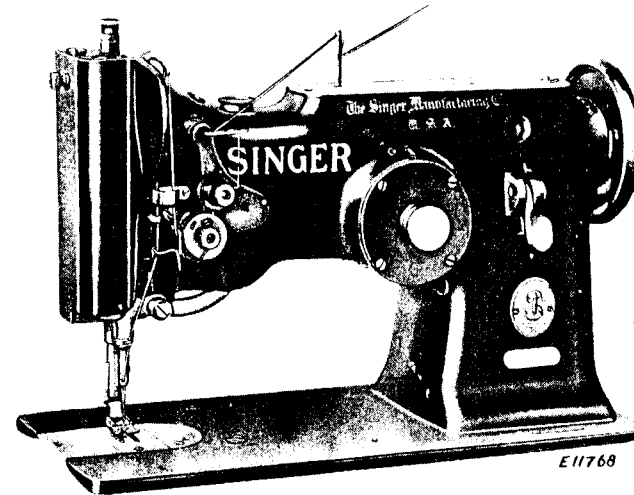
200001 to 201500 and 350001 to 351500 are Screw Numbers.  
 201501 to 201800 and 351501 to 351800 are Nut Numbers.  
 201801 to 202000 and 351801 to 352000 are Roller Numbers.  
 202001 to 350000 are Numbers of Machine Parts.

The figures in the second column refer only to the plate in which the illustration of the part is shown and are **NOT TO BE USED** in ordering.

Two or more numbers over a cut indicate that the difference between such parts is not visible in an illustration.

Parts marked with an asterisk (\*) are furnished only when repairs are made at the factory.

## LIST OF PARTS COMPLETE FOR



### MACHINE No. 143w1

#### HIGH SPEED ZIGZAG

TRANSVERSE. LOCK STITCH. ROTARY HOOK. BALL BEARINGS  
 AT REAR END OF ARM SHAFT AND HOOK DRIVING  
 SHAFT. NEEDLE THROWS UP TO 3/32 INCH  
 AND VIBRATES BOTH SIDES OF  
 CENTER LINE

No.	Plate	Name
*241301	-----	Arm with 54897, 202135, 241303 and 241315
241302	15953	" Cap with two 244071
244071	-----	" " Oil Wick
200278H	15951	" " Screw
202248	15951	" " " Washer
54897	15951	" Oil Cup
241303	15951	" " Tube
204235	15951	" Position Pin (2)
200004E	15951	" Screw (3)
202005	15951	" " Washer (3)
241304	15953	" Shaft with 200357E
249440	-----	" " Ball Bearing

## PARTS FOR MACHINE 143w1

No.	Plate	Name
*240054	-----	Arm Shaft Ball Bearing Collar with two 200378C
240055	15952	Arm Shaft Ball Bearing Collar 240054 with 249440
200378C	15951	Arm Shaft Ball Bearing Collar Set Screw
*240056	-----	" " " " Retaining Washer
*240053	-----	" " Bushing (back)
200338C	15951	" " " " Set Screw
240057	-----	Arm Shaft Bushing (back, ball bearing) complete, Nos. 240053, 240055 and 240056
207080	15952	Arm Shaft Bushing (front) with 202244
202244	-----	" " " " Oil Packing (wick)
200502B	15951	Arm Shaft Bushing (front) Oil Packing Thumb Screw
200341C	15951	Arm Shaft Bushing (front) Set Screw
210503	15953	" " Connection Belt
241308	15952	" " " " Pulley with 200327C, 200602E and two 202253
241309	-----	Arm Shaft Connection Belt Pulley 241308 with 241324, 241325, 263094, 263095, two each 201531E and 350351C
200602E	15951	Arm Shaft Connection Belt Pulley Position Screw
200327C	15951	Arm Shaft Connection Belt Pulley Set Screw
202253	15951	Arm Shaft Connection Belt Pulley Spring Flange
241310	-----	Arm Shaft Oil Reservoir
350331E	15951	" " " " Packing Screw
350332E	15951	" " " " Screw
241311	15952	Arm Shaft Oil Reservoir complete, Nos. 241310, 350332E and two 350331E
200357E	15951	Arm Shaft Oil Stop Screw
241370	15953	Balance Wheel (disc) (belt groove 2-1/8 in. diam.) with 200328C and 200335C
200062H	15951	Balance Wheel Adjusting Screw
200328C	15951	" " Position Screw
200335C	15951	" " Set Screw
*241312	-----	Bed
202258	15952	" Hinge Connection (2)
200570E	15951	" " " Screw (4)
203100	-----	" Oil Packing (wick)(2)
241313	15952	" " Reservoir with two 241316
200073E	15951	" " " Clamp Screw
241315	15955	" " " Oil Leader
202244	-----	" " " Packing (wick)
241316	-----	" " " Tube Packing (wick)
350366H	15955	" " Stop Screw (2)
210505	15952	" Plate (back)

## PARTS FOR MACHINE 143w1

No.	Plate	Name
200577H	15955	Bed Plate (back) Screw (2)
210616	15952	" Slide (front)
263099	15955	Bobbin
263014	15955	" Case Base
263108	15955	" " Cap with 200592C, 201016F and 263110
263109	-----	Bobbin Case Cap complete, Nos. 200964E, 210736, 210914 and 263108
210913	15955	Bobbin Case Latch
210914	-----	" " " 210913 with 210734 and 210735
210735	15955	Bobbin Case Latch Fulcrum Pin
210734	15955	" " " Lever
210736	15955	" " " Spring
200964E	15955	" " " Stop Screw
210764	15955	" " Stop
200076D	15955	" " " Screw
263110	15955	" " Tension Spring
201016F	15955	" " " Regulating Screw
200592C	15955	Bobbin Case Tension Spring Screw
263019	-----	Bobbin Case complete, Nos. 263014 and 263109
241321	15953	Face Plate
202135	15955	" " Position Pin
200462B	15955	" " Thumb Screw
241322	15952	Feed Bar
200641C	15955	" " Hinge Screw (driving)
201522E	15955	" " " Nut
202276	15955	" " Slide Block
210514	15955	" " " Crank with 200035E
210515	-----	" " " 210514 with 200253D, 201531E and 202276
200035E	15956	Feed Bar Slide Block Crank Pinch Screw
200253D	15956	" " " " Hinge Screw
201531E	15956	" " " " " Nut
210518	15966	" Dog
200106E	15956	" " Screw (2)
241323	15953	" Driving Connection with 200054E and 202277
202624	15956	Feed Driving Connection Crank with 200038C
200038C	15956	Feed Driving Connection Crank Pinch Screw
201306C	15956	Feed Driving Connection Hinge Screw
201518E	15956	" " " " " Nut
202277	-----	" " " Oil Packing (wick)
200054E	15956	" " " Pinch Screw
241324	15952	" " Eccentric (indexed)
241325	15952	" " " Adjusting Disc

No.	Plate	Name
263094	15956	Feed Driving Eccentric Adjusting Disc Locking Stud
263095	15956	Feed Driving Eccentric Adjusting Disc Locking Stud Spring
350351C	15956	Feed Driving Eccentric Screw
201531E	15956	" " " " Nut
202623	15953	" " Rock Shaft
202625	15956	" " " " Stop Collar with two 200383C (2)
200383C	15956	Feed Driving Rock Shaft Stop Collar Set Screw
241327	15953	Feed Lifting Connection with 200054E and 202277
241328	15956	Feed Lifting Connection Crank with 200050C and 200378C
200050C	15956	Feed Lifting Connection Crank Pinch Screw
200378C	15951	Feed Lifting Connection Crank Set Screw
202307	15956	" " " " Eccentric with 200382C and 200437C
200437C	15956	Feed Lifting Connection Eccentric Position Screw
200382C	15958	Feed Lifting Connection Eccentric Set Screw
201306C	15956	Feed Lifting Connection Hinge Screw
201518E	15956	" " " " " Nut
202277	-----	" " " Oil Packing (wick)
200054E	15956	" " " Pinch Screw
241329	15953	" " Rock Shaft (hollow) and Hook Driving Shaft Bearing
202625	15956	Feed Lifting Rock Shaft Stop Collar with two 200383C
200383C	15956	Feed Lifting Rock Shaft Stop Collar Set Screw
213161	15954	Feed Regulating Lever with 213657
200665C	15958	" " " Hinge Screw
206452	15958	" " " Spring
213657	15958	" " " Pin
*241330	-----	Hook (sewing)
241331	15958	" 241330 with 200145C, 203101, 210536, 210541 and three 200596F
241332	-----	Hook and Bobbin Case complete, Nos. 241331 and 263019
241368	15958	Hook Driving Bevel Pinion, 24 teeth, with two 200378C
200378C	15951	Hook Driving Bevel Pinion Set Screw
210535	15953	" " " " Shaft
263029	15958	" " " " " Ball Bearing

No.	Plate	Name
241334	-----	Hook Driving Bevel Pinion Shaft Ball Bearing Collar with two 200383C
241335	15958	Hook Driving Bevel Pinion Shaft Ball Bearing Collar 241334 with 263029
200383C	15956	Hook Driving Bevel Pinion Shaft Ball Bearing Collar Set Screw
263032	15954	Hook Driving Bevel Pinion Shaft Ball Bearing Retainer
200098E	15958	Hook Driving Bevel Pinion Shaft Ball Bearing Retainer Screw (3)
263033	15954	Hook Driving Bevel Pinion Shaft Belt Pulley with 202324 and two 201018C
201018C	15958	Hook Driving Bevel Pinion Shaft Belt Pulley Set Screw
202324	15958	Hook Driving Bevel Pinion Shaft Belt Pulley Spring Flange
210536	15958	Hook Gib
200596F	15958	" " Screw
203101	-----	" Oil Wick
200915F	15958	" Position Screw
210537	15954	" Shaft (hollow)
241369	15959	" " Bevel Gear, 24 teeth, with two 200382C
200382C	15958	Hook Shaft Bevel Gear Set Screw
241336	15954	" " Bushing
241337	-----	" " " 241336 with 210537 and 350314F
200370C	15958	Hook Shaft Bushing Oil Stop Screw
241338	15959	" " " " Tube
202254	-----	" " " " Wick
200335C	15951	" " " " Set Screw
200363C	15958	" " " " " "
202355	15959	" " " " " " Packing (brass)
350314F	15959	Hook Shaft Position Screw
210541	15959	" Washer Needle Guard
200145C	15959	" " " " " Screw
237837	14173	Knee Lifter Connection Lever
210876	-----	" " " " " 237837 with 202447, 210875 and two 200262H
200262H	15959	Knee Lifter Connection Lever Hinge Screw
202447	14173	" " " " " Lifting Rod with 202302
202302	15959	Knee Lifter Connection Lever Lifting Rod Cotter Pin
210875	14173	Knee Lifter Lifting Lever
200262H	15959	" " " " " Hinge Screw
241367	15954	Needle Bar with 200141F
*241339	-----	" " " Connecting Link

No.	Plate	Name
241340	15959	Needle Bar Connecting Link 241339 with 241341 and 241343
*241341	-----	Needle Bar Connecting Link Guide Block
241342	15959	" " " " " "
		Gib (2)
200581H	15959	Needle Bar Connecting Link Guide Block Gib Screw (4)
*241343	-----	Needle Bar Connecting Link Guide Block Retaining Washer
249393	15959	Needle Bar Connecting Link Stud with 202254
202254	-----	Needle Bar Connecting Link Stud Oil Packing (wick)
200383C	15956	Needle Bar Connecting Link Stud Set Screw
200374C	15959	Needle Bar Connecting Link Stud Set Screw
241345	15959	Needle Bar Connecting Stud with 202277
241346	-----	" " " " 241345 with 210882
202277	-----	Needle Bar Connecting Stud Oil Packing (wick)
210882	15959	Needle Bar Connecting Stud Swivel with 200387C
241347	15954	Needle Bar Crank with 200335C, 200374C, 200383C and 200428C
203172	15959	Needle Bar Crank Friction Washer
200428C	15959	" " " Position Screw
200335C	15951	" " " Set Screw
241348	15954	" " Frame with 200070C and 201416C
241349	15959	Needle Bar Frame Guide Stud
200334C	15951	" " " " " Set Screw
210548	15960	" " " Hinge Stud
200334C	15951	" " " " " Set Screw
241350	15954	" " " Pitman with 200054E and 202277
210557	15960	Needle Bar Frame Pitman Eccentric Stud
200070C	15960	" " " " " "
		Set Screw
202277	-----	Needle Bar Frame Pitman Oil Packing (wick)
200054E	15956	Needle Bar Frame Pitman Pinch Screw
200387C	15960	" " Set Screw
241351	15960	" " Support Stud
201416C	15960	" " " " " Set Screw
200141F	15960	" Set Screw
202300	15954	" Vibrator Eccentric Regulating Bracket

No.	Plate	Name
210550	-----	Needle Vibrator Eccentric Regulating Bracket 202300 with 210552, two each 200256D and 201525E
210551	15957	Needle Vibrator Eccentric Regulating Bracket Cover (plate)
200566D	15960	Needle Vibrator Eccentric Regulating Bracket Cover Screw (4)
210552	15957	Needle Vibrator Eccentric Regulating Bracket Flange with two 200383C
200383C	15956	Needle Vibrator Eccentric Regulating Bracket Flange Screw
200256D	15960	Needle Vibrator Eccentric Regulating Bracket Hinge Screw
201525E	15960	Needle Vibrator Eccentric Regulating Bracket Hinge Screw Nut
202301	15960	Needle Vibrator Eccentric Regulating Bracket Plunger
202595	15960	Needle Vibrator Eccentric Regulating Bracket Plunger Spring
200607C	15960	Needle Vibrator Eccentric Regulating Bracket Plunger Spring Stop Screw
200256D	15960	Needle Vibrator Eccentric Regulating Bracket Stop Screw
201525E	15960	Needle Vibrator Eccentric Regulating Bracket Stop Screw Nut
210699	15957	Needle Vibrator Gear (spiral) with two 200382C
203172	15959	Needle Vibrator Gear Friction Washer
200382C	15958	" " " Set Screw
210558	15957	" " " Shaft
210559	15960	" " " " Collar with two 200378C
200378C	15951	Needle Vibrator Gear Shaft Collar Set Screw
210700	15960	Needle Vibrator Pinion (spiral) with two 200382C
200382C	15958	Needle Vibrator Pinion Set Screw
200429C	15960	" " Regulating Screw
200383C	15956	" " " " Check Screw
210553	15952	Needle Vibrator Regulating Spindle with 202583, 202619 and 210554
*202583	-----	Needle Vibrator Regulating Spindle Head
202619	15960	" " " " " "
		Position Pin
210554	15960	Needle Vibrator Regulating Spindle Spring (flat)
244033	-----	Presser Bar (hollow)
202335	15957	" " 244033 with 200074F
241352	15960	" " Bushing

No.	Plate	Name
200352C	15960	Presser Bar Bushing Set Screw
202554	15960	" " Lifter
200653C	15960	" " Hinge Screw
210789	15961	" " Lifting Releasing Lever Bracket
200260D	15961	Presser Bar Lifting Releasing Lever Bracket Guide Screw
206608	15961	Presser Bar Lifting Releasing Lever Bracket Spring
202337	15961	Presser Bar Position Guide
202338	15961	" " " " Lever with 200086F
200086F	15961	Presser Bar Position Guide Lever Pinch Screw
200352C	15960	Presser Bar Position Guide Set Screw
210758	15961	" " Spring
202346	15961	" " Stop Rod
200492B	15961	" " Thumb Screw (pressure regu- lating)
200475B	15961	Presser Bar Thumb Screw Thumb Set Screw
202355	15959	" " " " " " " Packing (brass)
202090	15961	Presser Foot Hinge Pin
203029	-----	" " Plate
200074F	15962	" " Screw
210620	-----	" " Shank
210569	15966	Presser Foot (hinged) complete, Nos. 202090, 203029 and 210620
241353	15962	Take-up (auxiliary)
200132E	15962	" " Screw
241354	15962	" Lever
241355	15962	" " Driving Stud with 202277
202277	-----	" " " " Oil Packing (wick)
241356	15962	Take-up Lever Hinge Stud with 202423
202423	-----	" " " " Oil Packing (wick)
200383C	15956	Take-up Lever Hinge Stud Set Screw
202401	-----	" " Oiling Felt
200132E	15962	" " " " Screw
263041	15962	" " " Wick with 263097
241357	15962	" " " " Eyelet
263097	15962	" " " " Wire
200110D	15962	" " " " " Screw
241358	15957	Tension Bracket with 201224B and two 236060
241359	-----	Tension Bracket complete, Nos. 13710, 200978H, 201199F, 204271, 223703, 223704, 223706, 241358, 241366, two each 200309E, 201572B and 244048

No.	Plate	Name
244048	15962	Tension Disc
236060	15962	" " Position Pin
223703	15962	" Release Lever
235072	15962	" " " Rod
200309E	15962	" " " Screw
223704	15962	" " Plunger
204271	15962	" " Washer
13710	15962	" Spring
201224B	15962	" Stud
236060	15962	" Thread Guide Pin
201572B	10881	" Thumb Nut
223706	15963	Thread Controller Disc
200978H	15963	" " " Screw
241366	15963	" " Spring
241360	15963	" " " Stop
200132E	15962	" " " " Screw
201199F	15963	" " Stud with 204925
200049E	15963	" " " Set Screw
201572B	10881	" " " Thumb Nut
204925	15963	" " " Washer
241361	15963	" " Thread Guard
200161D	15963	" " " " Screw
241362	15963	" Guide (lower)
241363	15963	" " (on needle bar frame)
200172H	15963	" " " " " " Screw
241364	15963	" " (upper)
200582H	15963	" " Screw (2)
240034	15963	" Retainer
200366H	15963	" " Set Screw
241371	15966	Throat Plate, 60 needle hole, for needle sizes 8 and 9
200577H	15955	Throat Plate Screw (2)

## ACCESSORIES

No.	Plate	Name
200157B	15963	Attachment Screw
263099	15955	Bobbin (5)
*225482	-----	" Case Screw Driver Blade
*225483	-----	" " " " Handle
225497	10776	Bobbin Case Screw Driver complete, Nos. 225482 and 225483
231337	10776	Cloth Guide
135 x 7	-----	Needles, six, size 12
228212	-----	Drip Pan (short) with four 1 in. wire nails
41400	10776	Machine Rest Pin (wood)
120342	10776	Oiler (copper plated) with 120343
120343	10776	" Spout (3-1/2 in. long)
*225484	-----	Screw Driver Blade
*225485	-----	" " " " Handle
225498	10776	Screw Driver complete (7-1/4 in. long), Nos. 225484 and 225485
225554	10776	Wrench (steel)

## BOBBIN WINDER

## Swing Automatic, Right Hand

225453	10884	Frame with 202277 and 225438
225454	10884	" Hinge Pin
202277	-----	" Oil Packing (wick)
225438	10884	" " Well Cap
225455	10884	" Spring
225456	10884	" " Plunger
202473	10885	Pulley with 200380C
200380C	15963	" Set Screw
225381	10884	Spindle
225444	10884	Stop Latch
200056E	10884	" " Screw
225458	10884	" " Thumb Lever
225459	10884	" " " " Hinge Stud
225459	10884	" " " " Joint Stud
202478	10884	" " Trip Lever
200299H	10884	" " " " Hinge Screw
225461	10881	Tension Bracket with 201499B
200082D	10881	" " Screw
228026	10884	" " " Washer
2102	10881	" Disc

## ACCESSORIES

No.	Plate	Name
202407	10881	Tension Spring
201499B	10881	" Stud
201572B	10881	" " Thumb Nut
225462	10881	Bobbin Winder Tension Bracket complete, Nos. 201572B, 202407, 225461 and two 2102
225433	10885	Bobbin Winder and Tension Bracket Base
225382	10885	Universal Bobbin Winder complete, Nos. 200056E, 200082D, 200299H, 202473, 202478, 225381, 225433, 225444, 225453 to 225456, 225458, 225462, 228026, two each 225459 and wood screws 3/4 in., No. 12, R.H.B.

## KNEE LIFTER

228294	15911	Rock Lever with two 356C
228295	15911	" " Bracket with 356C and four wood screws 7/8 in., No. 12
228299	-----	Rock Lever Bracket 228295 with 228294 and 228297
228296	15911	Rock Lever Extension with 200529C
356C	15911	" " " Set Screw
228297	15911	" " Hinge Pin
356C	15911	" " " " Set Screw
228284	15911	" " Knee Plate with 356C
202455	15911	" " " " Arm
356C	15911	" " " " Set Screw
356C	15911	" " " " Set Screw
227728	15911	" " Rod with 227729
*227729	-----	" " " Cap
200529C	15911	" " " Set Screw
228298	15911	Knee Lifter complete, Nos. 202455, 227728, 228284, 228296 and 228299

(Other Knee Lifter Parts are listed with parts of machine head.)

## THREAD UNWINDER

225257	14363	Spool Rest (for two spools) (flat) with 201018C
150203	-----	Spool Rest Cushion (felt)
225388	14363	" " Rod
200383C	15956	" " " Set Screw
201018C	15958	" " Set Screw
202490	14363	" Stand with 200383C
225391	14363	Thread Guide



## ACCESSORIES

No.	Plate	Name
201696J	15963	Thread Guide Lock Nut
225326	15963	" " Position Cup
225324	14363	" " Rod with 208E and 225322
208E	15963	" " Screw
225322	15963	" " Washer
225258	14363	Thread Unwinder (for two spools) complete, Nos. 201696J, 202490, 225257, 225324, 225326, 225388, two each 150203, 225391 and three wood screws 7/8 in., No. 12

Genuine Singer Needles should be used in Singer Machines. These Needles and their Containers are marked with the Company's Trade Mark "SIMANCO." 1

Needles in Containers marked "For Singer Machines" are not Singer made needles. 2

## FITTINGS FOR VARIOUS LINES OF WORK

### LINGERIE

#### FOR ATTACHING APPLIQUE WORK

No.	Plate	Name
241373	15964	Feed Dog
202343	15964	Presser Bar Spring
202090	15961	" Foot Hinge Pin
241393	-----	" " Plate
241374	-----	" " Shank
241375	15964	Presser Foot (hinged) complete, 53 needle hole, Nos. 202090, 241374 and 241393
241372	15964	Throat Plate, 60 needle hole, for needle sizes 8 and 9

#### FOR ATTACHING LACE

210518	15966	Feed Dog
241381	15965	Lace Guide (switch-up) with 201218E
200934D	15966	" " Hinge Screw
206042	15966	" " Spring
201218E	15966	" " Screw Stud
241383	15965	Lace Guide (switch-up) complete, for attaching lace to crepe de chine, Nos. 200934D, 206042, 241381 and 241382
241384	15965	Lace Guide
241390	15965	" " and Tension Bracket Base
241382	15965	" " Bracket with 200363C, 201218E, 201237E, 201566B and 202126
200363C	15958	Lace Guide Bracket Set Screw
200170B	15966	" " Screw
202126	15966	" " Stop Pin
201237E	15966	" " Screw
201566B	15966	" " Thumb Nut
241385	15965	Lace Guide Tension and Leader complete, Nos. 241384, 241390 to 241392, 350389D, two each 200170B and 200184B
241391	15965	Lace Leader
350389D	15966	" " Wing Screw
241392	15965	" Tension Bracket
200184B	15966	" " Screw
202090	15961	Presser Foot Hinge Pin
203029	-----	" " Plate
210620	-----	" " Shank
210569	15966	Presser Foot (hinged) complete, Nos. 202090, 203029 and 210620
241380	15966	Throat Plate, 60 needle hole, for needle sizes 8 and 9

## FOR ATTACHING LACE AND CORD

No.	Plate	Name
210518	15966	Feed Dog
202090	15961	Presser Foot Hinge Pin
241376	-----	" " Plate
202923	-----	" " Shank
241377	15966	Presser Foot (hinged) complete, Nos. 202090, 202923 and 241376
241371	15966	Throat Plate, 60 needle hole, for needle sizes 8 and 9

## FOR ATTACHING "LASTEX" WAIST BAND

210518	15966	Feed Dog
202090	15961	Presser Foot Hinge Pin
203029	-----	" " Plate
210620	-----	" " Shank
210569	15966	Presser Foot (hinged) complete, Nos. 202090, 203029 and 210620
241371	15966	Throat Plate, 60 needle hole, for needle sizes 8 and 9

## FOR PICOT EDGING SIDES

210518	15966	Feed Dog
230929	15967	Hemmer Foot, 3/32 in. hem, for hemming scallops on sheer material
241371	15966	Throat Plate, 60 needle hole, for needle sizes 8 and 9

## FOR PICOT EDGING SHOULDER STRAPS

(Furnish sample or state width of finished strap desired)

241386	15967	Edge Guide
210519	15967	Feed Dog
241387	15967	Presser Foot
241388	15965	Strip Folder on Shank
241389	15967	" Guide on Shank
226200	15953	" Reel (6 in. diam.) with 225666
225664	15967	" " Supporting Spindle
225665	15965	" " " " Base with 225664 and two wood screws 3/4 in., No. 7
230471	15965	Strip Reel Supporting Spindle Hub
225666	-----	" " " " 230471 with 225980
225980	15965	Strip Reel Supporting Spindle Hub Base
226201	-----	Strip Reel (6 in. diam.) complete, Nos. 225665 and 226200
241371	15966	Throat Plate, 60 needle hole, for needle sizes 8 and 9

## FOR STITCHING SIDE SEAMS

No.	Plate	Name
210518	15966	Feed Dog
230795	15961	Presser Foot Hinge Pin
241378	-----	" " Plate
210620	-----	" " Shank
241379	15967	Presser Foot (hinged) complete, 50 needle hole, Nos. 210620, 230795 and 241378
241371	15966	Throat Plate, 60 needle hole, for needle sizes 8 and 9

## GENERAL FABRICS

## APPLIQUE WORK

241373	15964	Feed Dog
202090	15961	Presser Foot Hinge Pin
241393	-----	" " Plate
241374	-----	" " Shank
241375	15964	Presser Foot (hinged) complete, 53 needle hole, Nos. 202090, 241374 and 241393
241372	15964	Throat Plate, 60 needle hole, for needle sizes 8 and 9

## FOR COLLAR ORNAMENTATION

226999	15964	Edge Guide
210516	15964	Feed Dog
230795	15961	Presser Foot Hinge Pin
203027	-----	" " Plate
210620	-----	" " Shank
210562	15964	Presser Foot (hinged) complete, Nos. 203027, 210620 and 230795
210596	15964	Throat Plate, 53 needle hole, for needle sizes 12 and 13

## FOR HAT SWEATS

200459D	15968	Attaching Thumb Screw
259007	15968	Band Guide (adjustable)
200126D	15968	" " Screw
259008	15968	Body
259009	-----	" 259008 with 259010 and two 200172H
259010	15968	Edge Guide (adjustable)
200172H	15963	" " Screw
259011	15968	Reel Guide
200585H	15968	" " Screw
259012	15968	Strip Guide (lower) (adjustable)
201560D	15968	" " " Thumb Nut
259013	15968	" " (upper) (adjustable)

No.	Plate	Name
200169B	15968	Strip Guide (upper) Screw
259014	15968	Tension Spring
200175D	15968	" " Screw
259015	-----	Hat Sweat Folder and Guide complete, Nos. 200126D, 200169B, 200459D, 201560D, 259007, 259009, 259011 to 259014, two each 200175D and 200585H
210524	15969	Feed Dog
259017	15969	Presser Foot, for use with Throat Plate 259018
259018	15969	Throat Plate, 53 needle hole, for needle sizes 12 and 13, for use with Presser Foot 259017

## FOR ROLLED PICOT EDGING

210518	15966	Feed Dog
230929	15967	Hemmer Foot, 3/32 in. hem, for hemming scallops on sheer material
241371	15966	Throat Plate, 60 needle hole, for needle sizes 8 and 9

## FOR SERGING TROUSERS

226999	15964	Edge Guide
210516	15964	Feed Dog
230795	15961	Presser Foot Hinge Pin
203027	-----	" " Plate
210620	-----	" " Shank
210562	15964	Presser Foot (hinged) complete, Nos. 203027, 210620 and 230795
210596	15964	Throat Plate, 53 needle hole, for needle sizes 12 and 13

## FOR STITCHING STARS TO FLAG

210518	15966	Feed Dog
202090	15961	Presser Foot Hinge Pin
203029	-----	" " Plate
210620	-----	" " Shank
210569	15966	Presser Foot (hinged) complete, Nos. 202090, 203029 and 210620
210600	15969	Throat Plate, 53 needle hole, for needle sizes 12 and 13

## MISCELLANEOUS PARTS

Used in Conjunction with Thread Unwinder

No.	Plate	Name
60913	14363	Spool Weight with 60914
60914	-----	" " Center Pin
225377	14363	" Wire, for small spools
27739	14363	Thread Cone (wood)

Genuine Singer Needles should be used  
in Singer Machines.  
These Needles and their Containers  
are marked with the  
Company's Trade Mark "SIMANCO." 1

Needles in Containers marked  
"For Singer Machines"  
are not Singer made needles. 2

**NUMERICAL LIST OF PARTS**

**FOR**

**MACHINE No. 143w1**

## NUMERICAL LIST OF PARTS

No.	Plate	Name
208E	15963	Thread Unwinder Thread Guide Rod Screw, for 225324
356C	15911	Knee Lifter Rock Lever Extension Set Screw, for 228294
356C	15911	Knee Lifter Rock Lever Hinge Pin Set Screw, for 228295
356C	15911	Knee Lifter Rock Lever Knee Plate Arm Set Screw, for 228294
356C	15911	Knee Lifter Rock Lever Knee Plate Set Screw, for 228284
2102	10881	Bobbin Winder Tension Disc, for 225462
13710	15962	Tension Spring, for 241359
27739	14363	Thread Cone (wood)
41400	10776	Machine Rest Pin (wood)
54897	15951	Arm Oil Cup, for 241301
60913	14363	Spool Weight with 60914
60914	-----	" " Center Pin, for 60913
120342	10776	Oiler (copper plated) with 120343
120343	10776	" Spout (3-1/2 in. long), for 120342
150203	-----	Thread Unwinder Spool Rest Cushion (felt), for 225258
200004E	15951	Arm Screw
200035E	15956	Feed Bar Slide Block Crank Pinch Screw, for 210514
200038C	15956	Feed Driving Connection Crank Pinch Screw, for 202624
200049E	15963	Thread Controller Stud Set Screw
200050C	15956	Feed Lifting Connection Crank Pinch Screw, for 241328
200054E	15956	Feed Driving Connection Pinch Screw, for 241323
200054E	15956	Feed Lifting Connection Pinch Screw, for 241327
200054E	15956	Needle Bar Frame Pitman Pinch Screw, for 241350
200056E	10884	Bobbin Winder Stop Latch Screw, for 225382
200062H	15951	Balance Wheel Adjusting Screw
200070C	15960	Needle Bar Frame Pitman Eccentric Stud Set Screw, for 241348
200073E	15951	Bed Oil Reservoir Clamp Screw
200074F	15962	Presser Foot Screw, for 202335
200076D	15955	Bobbin Case Stop Screw
200082D	10881	" Winder Tension Bracket Screw, for 225382

## NUMERICAL LIST OF PARTS

No.	Plate	Name
200086F	15961	Presser Bar Position Guide Lever Pinch Screw, for 202338
200098E	15958	Hook Driving Bevel Pinion Shaft Ball Bearing Retainer Screw
200106E	15956	Feed Dog Screw
200110D	15962	Take-up Lever Oiling Wick Wire Screw
200126D	15968	Hat Sweat Folder Band Guide Screw, for 259015
200132E	15962	Take-up (auxiliary) Screw
200132E	15962	" Lever Oiling Felt Screw
200132E	15962	Thread Controller Spring Stop Screw
200141F	15960	Needle Set Screw, for 241367
200145C	15959	Hook Washer Needle Guard Screw, for 241331
200157B	15963	Attachment Screw
200161D	15963	Thread Controller Thread Guard Screw
200169B	15968	Hat Sweat Folder Strip Guide (upper) Screw, for 259015
200170B	15966	Lace Guide Screw, for 241385
200172H	15963	Hat Sweat Folder Edge Guide Screw, for 259009
200172H	15963	Thread Guide (on needle bar frame) Screw
200175D	15968	Hat Sweat Folder Tension Spring Screw, for 259015
200184B	15966	Lace Tension Bracket Screw, for 241385
200253D	15956	Feed Bar Slide Block Hinge Screw, for 210515
200256D	15960	Needle Vibrator Eccentric Regulating Bracket Hinge Screw, for 210550
200256D	15960	Needle Vibrator Eccentric Regulating Bracket Stop Screw, for 210550
200260D	15961	Presser Bar Lifting Releasing Lever Bracket Guide Screw
200262H	15959	Knee Lifter Connection Lever Hinge Screw, for 210876
200262H	15959	Knee Lifter Lifting Lever Hinge Screw
200278H	15951	Arm Cap Screw
200299H	10884	Bobbin Winder Stop Latch Trip Lever Hinge Screw, for 225382
200309E	15962	Tension Release Lever Screw, for 241359
200327C	15951	Arm Shaft Connection Belt Pulley Set Screw, for 241308
200328C	15951	Balance Wheel Position Screw, for 241370
200334C	15951	Needle Bar Frame Guide Stud Set Screw
200334C	15951	" " " Hinge Stud Set Screw
200335C	15951	Balance Wheel Set Screw, for 241370
200335C	15951	Hook Shaft Bushing Set Screw
200335C	15951	Needle Bar Crank Set Screw, for 241347
200338C	15951	Arm Shaft Bushing (back) Set Screw
200341C	15951	" " " (front) Set Screw

## NUMERICAL LIST OF PARTS

No.	Plate	Name
200462B	15955	Face Plate Thumb Screw
200475B	15961	Presser Bar Thumb Screw Thumb Set Screw
200492B	15961	" " " " (pressure regulating)
200502B	15951	Arm Shaft Bushing (front) Oil Packing Thumb Screw
200529C	15911	Knee Lifter Rock Lever Rod Set Screw, for 228296
200566D	15960	Needle Vibrator Eccentric Regulating Bracket Cover Screw
200570E	15951	Bed Hinge Connection Screw
200577H	15955	" Plate (back) Screw
200577H	15955	Throat Plate Screw
200581H	15959	Needle Bar Connecting Link Guide Block Gib Screw
200582H	15963	Thread Guide Screw
200585H	15968	Hat Sweat Folder Reed Guide Screw, for 259015
200592C	15955	Bobbin Case Tension Spring Screw, for 263108
200596F	15958	Hook Gib Screw, for 241331
200602E	15951	Arm Shaft Connection Belt Pulley Position Screw, for 241308
200607C	15960	Needle Vibrator Eccentric Regulating Bracket Plunger Spring Stop Screw
200641C	15955	Feed Bar Hinge Screw (driving)
200653C	15960	Presser Bar Lifter Hinge Screw
200665C	15958	Feed Regulating Lever Hinge Screw
200915F	15958	Hook Position Screw
200934D	15966	Lace Guide Hinge Screw, for 241383
200964E	15955	Bobbin Case Latch Stop Screw, for 263109
200978H	15963	Thread Controller Disc Screw, for 241359
201016F	15955	Bobbin Case Tension Spring Regulating Screw, for 263108
201018C	15958	Hook Driving Bevel Pinion Shaft Belt Pulley Set Screw, for 263033
201018C	15958	Thread Unwinder Spool Rest Set Screw, for 225257
201199F	15963	Thread Controller Stud with 204925, for 241359
201218E	15966	Lace Guide Spring Screw Stud, for 241381 and 241382
201224B	15962	Tension Stud, for 241358
201237E	15966	Lace Guide Stop Screw, for 241382
201306C	15956	Feed Driving Connection Hinge Screw
201306C	15956	" Lifting Connection Hinge Screw
201416C	15960	Needle Bar Support Stud Set Screw, for 241348
201499B	10881	Bobbin Winder Tension Stud, for 225461
201518E	15956	Feed Driving Connection Hinge Screw Nut

## NUMERICAL LIST OF PARTS

25

No.	Plate	Name
200352C	15960	Presser Bar Bushing Set Screw
200352C	15960	" " Position Guide Set Screw
200357E	15951	Arm Shaft Oil Stop Screw, for 241304
200363C	15958	Hook Shaft Bushing Set Screw
200363C	15958	Lace Guide Bracket Set Screw, for 241382
200366H	15963	Thread Retainer Set Screw
200370C	15958	Hook Shaft Bushing Oil Stop Screw
200374C	15959	Needle Bar Connecting Link Stud Set Screw, for 241347
200378C	15951	Arm Shaft Ball Bearing Collar Set Screw, for 240054
200378C	15951	Feed Lifting Connection Crank Set Screw, for 241328
200378C	15951	Hook Driving Bevel Pinion Set Screw, for 241368
200378C	15951	Needle Vibrator Gear Shaft Collar Set Screw, for 210559
200380C	15963	Bobbin Winder Pulley Set Screw, for 202473
200382C	15958	Feed Lifting Connection Eccentric Set Screw, for 202307
200382C	15958	Hook Shaft Bevel Gear Set Screw, for 241369
200382C	15958	Needle Vibrator Gear Set Screw, for 210699
200382C	15958	Needle Vibrator Pinion Set Screw, for 210700
200383C	15956	Feed Driving Rock Shaft Stop Collar Set Screw, for 202625
200383C	15956	Feed Lifting Rock Shaft Stop Collar Set Screw, for 202625
200383C	15956	Hook Driving Bevel Pinion Shaft Ball Bearing Collar Set Screw, for 241334
200383C	15956	Needle Bar Connecting Link Stud Set Screw, for 241347
200383C	15956	Needle Vibrator Eccentric Regulating Bracket Flange Screw, for 210552
200383C	15956	Needle Vibrator Regulating Screw Check Screw
200383C	15956	Take-up Lever Hinge Stud Set Screw
200383C	15956	Thread Unwinder Spool Rest Rod Set Screw, for 202490
200387C	15960	Needle Bar Set Screw, for 210882
200428C	15959	" " Crank Position Screw, for 241347
200429C	15960	Needle Vibrator Regulating Screw
200437C	15956	Feed Lifting Connection Eccentric Position Screw, for 202307
200459D	15968	Hat Sweat Folder Attaching Thumb Screw, for 259015

## NUMERICAL LIST OF PARTS

27

No.	Plate	Name
201518E	15956	Feed Lifting Connection Hinge Screw Nut
201522E	15955	" Bar Hinge Screw Nut
201525E	15960	Needle Vibrator Eccentric Regulating Bracket Hinge Screw Nut, for 210550
201525E	15960	Needle Vibrator Eccentric Regulating Bracket Stop Screw Nut, for 210550
201531E	15956	Feed Bar Slide Block Hinge Screw Nut, for 210515
201531E	15956	Feed Driving Eccentric Screw Nut, for 241309
201560D	15968	Hat Sweat Folder Strip Guide (lower) Thumb Nut, for 259015
201566B	15966	Lace Guide Stop Screw Thumb Nut, for 241382
201572B	10881	Bobbin Winder Tension Stud Thumb Nut, for 225462
201572B	10881	Tension Thumb Nut, for 241359
201572B	10881	Thread Controller Stud Thumb Nut
201696J	15963	" Unwinder Thread Guide Lock Nut, for 225258
202005	15951	Arm Screw Washer
202090	15961	Presser Foot Hinge Pin, for 210569, 241375 and 241377
202126	15966	Lace Guide Stop Pin, for 241382
202135	15955	Face Plate Position Pin, for 241301
202244	-----	Arm Shaft Bushing (front) Oil Packing (wick), for 207080
202244	-----	Bed Oil Reservoir Packing (wick)
202248	15951	Arm Cap Screw Washer
202253	15951	" Shaft Connection Belt Pulley Spring Flange, for 241308
202254	-----	Hook Shaft Bushing Oil Wick
202254	-----	Needle Bar Connecting Link Stud Oil Packing (wick), for 249393
202258	15952	Bed Hinge Connection
202276	15955	Feed Bar Slide Block, for 210515
202277	-----	Bobbin Winder Frame Oil Packing (wick), for 225453
202277	-----	Feed Driving Connection Oil Packing (wick), for 241323
202277	-----	Feed Lifting Connection Oil Packing (wick), for 241327
202277	-----	Needle Bar Connecting Stud Oil Packing (wick), for 241345
202277	-----	Needle Bar Frame Pitman Oil Packing (wick), for 241350
202277	-----	Take-up Lever Driving Stud Oil Packing (wick), for 241355
202300	15954	Needle Vibrator Eccentric Regulating Bracket, for 210550

No.	Plate	Name
202301	15960	Needle Vibrator Eccentric Regulating Bracket Plunger
202302	15959	Knee Lifter Connection Lever Lifting Rod Cotter Pin, for 202447
202307	15956	Feed Lifting Connection Eccentric with 200382C and 200437C
202324	15958	Hook Driving Bevel Pinion Shaft Belt Pulley Spring Flange, for 263033
202335	15957	Presser Bar 244033 with 200074F
202337	15961	" " Position Guide
202338	15961	" " " " Lever with 200086F
202343	15964	Presser Bar Spring
202346	15961	" " " Stop Rod
202355	15959	Hook Shaft Bushing Set Screw Packing (brass)
202355	15959	Presser Bar Thumb Screw Thumb Set Screw Packing (brass)
202401	-----	Take-up Lever Oiling Felt
202407	10881	Bobbin Winder Tension Spring, for 225462
202423	-----	Take-up Lever Hinge Stud Oil Packing (wick), for 241356
202447	14173	Knee Lifter Connection Lever Lifting Rod with 202302, for 210876
202455	15911	Knee Lifter Rock Lever Knee Plate Arm, for 228298
202473	10885	Bobbin Winder Pulley with 200380C, for 225382
202478	10884	Bobbin Winder Stop Latch Trip Lever, for 225382
202490	14363	Thread Unwinder Spool Stand with 200383C for 225258
202554	15960	Presser Bar Lifter
*202583	-----	Needle Vibrator Regulating Spindle Head, for 210553
202595	15960	Needle Vibrator Eccentric Regulating Bracket Plunger Spring
202619	15960	Needle Vibrator Regulating Spindle Head Position Pin, for 210553
202623	15953	Feed Driving Rock Shaft
202624	15956	" " Connection Crank with 200038C
202625	15956	Feed Driving Rock Shaft Stop Collar with two 200383C
202625	15956	Feed Lifting Rock Shaft Stop Collar with two 200383C
202923	-----	Presser Foot Shank, for 241377
203027	-----	" " Plate, for 210562
203029	-----	" " " " 210569
203100	-----	Bed Oil Packing (wick)

No.	Plate	Name
203101	-----	Hook Oil Wick, for 241331
203172	15959	Needle Bar Crank Friction Washer
203172	15959	" " Vibrator Gear Friction Washer
204235	15951	Arm Position Pin
204271	15962	Tension Release Washer, for 241359
204925	15963	Thread Controller Stud Washer, for 201199F
206042	15966	Lace Guide Spring, for 241383
206452	15958	Feed Regulating Lever Spring
206608	15961	Presser Bar Lifting Releasing Lever Bracket Spring
207080	15952	Arm Shaft Bushing (front) with 202244
210503	15953	" " Connection Belt
210505	15952	Bed Plate (back)
210514	15955	Feed Bar Slide Block Crank with 200035E, for 210515
210515	-----	Feed Bar Slide Block Crank 210514 with 200253D, 201531E and 202276
210516	15964	Feed Dog, for 210596
210518	15966	" " " 210600, 241371 and 241380
210519	15967	" " " 241371
210524	15969	" " " 259018
210535	15953	Hook Driving Bevel Pinion Shaft
210536	15958	" Gib, for 241331
210537	15954	" Shaft (hollow), for 241337
210541	15959	" Washer Needle Guard, for 241331
210548	15960	Needle Bar Frame Hinge Stud
210550	-----	" " Vibrator Eccentric Regulating Bracket 202300 with 210552, two each 200256D and 201525E
210551	15957	Needle Vibrator Eccentric Regulating Bracket Cover (plate)
210552	15957	Needle Vibrator Eccentric Regulating Bracket Flange with two 200383C, for 210550
210553	15952	Needle Vibrator Regulating Spindle with 202583, 202619 and 210554
210554	15960	Needle Vibrator Regulating Spindle Spring (flat), for 210553
210557	15960	Needle Bar Frame Pitman Eccentric Stud
210558	15957	" " Vibrator Gear Shaft
210559	15960	" " " " Collar with two 200378C
210562	15964	Presser Foot (hinged) complete, Nos. 203027, 210620 and 230795
210569	15966	Presser Foot (hinged) complete, Nos. 202090, 203029 and 210620
210596	15964	Throat Plate, 53 needle hole, for needle sizes 12 and 13, for 210516
210600	15969	Throat Plate, 53 needle hole, for needle sizes 12 and 13, for 210518
210616	15952	Bed Slide (front)



No.	Plate	Name
210620	-----	Presser Foot Shank, for 210562, 210569 and 241379
210699	15957	Needle Vibrator Gear (spiral) with two 200382C
210700	15960	Needle Vibrator Pinion (spiral) with two 200382C
210734	15955	Bobbin Case Latch Lever, for 210914
210735	15955	" " " Fulcrum Pin, for 210914
210736	15955	" " " Spring, for 263109
210758	15961	Presser Bar Spring
210764	15955	Bobbin Case Stop
210789	15961	Presser Bar Lifting Releasing Lever Bracket
210875	14173	Knee Lifter Lifting Lever, for 210876
210876	-----	" " Connection Lever 237837 with 202447, 210875 and two 200262H
210882	15959	Needle Bar Connecting Stud Swivel with 200387C, for 241346
210913	15955	Bobbin Case Latch, for 210914
210914	-----	" " " 210913 with 210734 and 210735, for 263109
213161	15954	Feed Regulating Lever with 213657
213657	15958	" " " Spring Pin, for 213161
223703	15962	Tension Release Lever, for 241359
223704	15962	" " Plunger, for 241359
223706	15963	Thread Controller Disc, for 241359
225257	14363	" Unwinder Spool Rest (for two spools) (flat) with 201018C, for 225258
225258	14363	Thread Unwinder (for two spools) complete, Nos. 201696J, 202490, 225257, 225324, 225326, 225388, two each 150203, 225391 and three wood screws 7/8 in., No. 12
225322	15963	Thread Unwinder Thread Guide Rod Washer, for 225324
225324	14363	Thread Unwinder Thread Guide Rod with 208E and 225322, for 225258
225326	15963	Thread Unwinder Thread Guide Position Cup, for 225258
225377	14363	Spool Wire, for small spools
225381	10884	Bobbin Winder Spindle, for 225382
225382	10885	Universal Bobbin Winder complete, Nos. 200056E, 200082D, 200299H, 202473, 202478, 225381, 225433, 225444, 225453 to 225456, 225458, 225462, 228026, two each 225459 and wood screws 3/4 in., No. 12, R.H.B.

No.	Plate	Name
225388	14363	Thread Unwinder Spool Rest Rod, for 225258
225391	14363	Thread Unwinder Thread Guide, for 225258
225433	10885	Bobbin Winder and Tension Bracket Base, for 225382
225438	10884	Bobbin Winder Frame Oil Well Cap, for 225453
225444	10884	Bobbin Winder Stop Latch, for 225382
225453	10884	Nos. 225453 to 225456, for 225382
225453	10884	Bobbin Winder Frame with 202277 and 225438
225454	10884	Bobbin Winder Frame Hinge Pin
225455	10884	" " " Spring
225456	10884	" " " Plunger
225458	10884	" " Stop Latch Thumb Lever, for 225382
225459	10884	Bobbin Winder Stop Latch Thumb Lever Hinge Stud, for 225382
225459	10884	Bobbin Winder Stop Latch Thumb Lever Joint Stud, for 225382
225461	10881	Bobbin Winder Tension Bracket with 201499B, for 225462
225462	10881	Bobbin Winder Tension Bracket complete, Nos. 201572B, 202407, 225461 and two 2102, for 225382
*225482	-----	Bobbin Case Screw Driver Blade, for 225497
*225483	-----	Bobbin Case Screw Driver Handle, for 225497
*225484	-----	Screw Driver Blade, for 225498
*225485	-----	" " Handle, for 225498
225497	10776	Bobbin Case Screw Driver complete, Nos. 225482 and 225483
225498	10776	Screw Driver complete (7-1/4 in. long), Nos. 225484 and 225485
225554	10776	Wrench (steel)
225664	15967	Strip Reel Supporting Spindle, for 225665
225665	15965	" " " " Base with 225664 and two wood screws 3/4 in., No. 7, for 226201
225666	-----	Strip Reel Supporting Spindle Hub 230471 with 225980, for 226200
225980	15965	Strip Reel Supporting Spindle Hub Base, for 225666
226200	15953	Strip Reel (6 in. diam.) with 225666, for 226201
226201	-----	Strip Reel (6 in. diam.) complete, Nos. 225665 and 226200
226999	15964	Edge Guide
227728	15911	Knee Lifter Rock Lever Rod with 227729, for 228298

No.	Plate	Name
*227729	-----	Knee Lifter Rock Lever Rod Cap, for 227728
228026	10884	Bobbin Winder Tension Bracket Screw Washer, for 225382
228212	-----	Drip Pan (short) with four 1 in. wire nails
228284	15911	Knee Lifter Rock Lever Knee Plate with 356C, for 228298
228294	15911	Knee Lifter Rock Lever with two 356C, for 228299
228295	15911	Knee Lifter Rock Lever Bracket with 356C and four wood screws 7/8 in., No. 12, for 228299
228296	15911	Knee Lifter Rock Lever Extension with 200529C, for 228298
228297	15911	Knee Lifter Rock Lever Hinge Pin, for 228299
228298	15911	Knee Lifter complete, Nos. 202455, 227728, 228284, 228296 and 228299
228299	-----	Knee Lifter Rock Lever Bracket 228295 with 228294 and 228297, for 228298
230471	15965	Strip Reel Supporting Spindle Hub, for 225666
230795	15961	Presser Foot Hinge Pin, for 210562 and 241379
230929	15967	Hemmer Foot, 3/32 in. hem, for hemming scallops on sheer material
231337	10776	Cloth Guide
235072	15962	Tension Release Lever Rod
236060	15962	" Disc Position Pin, for 241358
236060	15962	" Thread Guide Pin, for 241358
237837	14173	Knee Lifter Connection Lever, for 210876
240034	15963	Thread Retainer
*240053	-----	Arm Shaft Bushing (back), for 240057
*240054	-----	" " Ball Bearing Collar with two 200378C, for 240055
240055	15952	Arm Shaft Ball Bearing Collar 240054 with 249440, for 240057
*240056	-----	Arm Shaft Ball Bearing Retaining Washer, for 240057
240057	-----	Arm Shaft Bushing (back, ball bearing) complete, Nos. 240053, 240055 and 240056
*241301	-----	Arm with 54897, 202135, 241303 and 241315
241302	15953	" Cap with two 244071
241303	15951	" Oil Tube, for 241301
241304	15953	" Shaft with 200357E
241308	15952	" " Connection Belt Pulley with 200327C, 200602E and two 202253, for 241309

No.	Plate	Name
241309	-----	Arm Shaft Connection Belt Pulley 241308 with 241324, 241325, 263094, 263095, two each 201531E and 350351C
241310	-----	Arm Shaft Oil Reservoir, for 241311
241311	15952	Arm Shaft Oil Reservoir complete, Nos. 241310, 350332E and two 350331E
*241312	-----	Bed
241313	15952	" Oil Reservoir with two 241316
241315	15955	" " " Oil Leader, for 241301
241316	-----	" " " Tube Packing (wick), for 241313
241321	15953	Face Plate
241322	15952	Feed Bar
241323	15953	" Driving Connection with 200054E and 202277
241324	15952	Feed Driving Eccentric (indexed), for 241309
241325	15952	Feed Driving Eccentric Adjusting Disc, for 241309
241327	15953	Feed Lifting Connection with 200054E and 202277
241328	15956	Feed Lifting Connection Crank with 200050C and 200378C
241329	15953	Feed Lifting Rock Shaft (hollow) and Hook Driving Shaft Bearing
*241330	-----	Hook (sewing), for 241331
241331	15958	" 241330 with 200145C, 203101, 210536, 210541 and three 200596F, for 241332
241332	-----	Hook and Bobbin Case complete, Nos. 241331 and 263019
241334	-----	Hook Driving Bevel Pinion Shaft Ball Bearing Collar with two 200383C, for 241335
241335	15958	Hook Driving Bevel Pinion Shaft Ball Bearing Collar 241334 with 263029
241336	15954	Hook Shaft Bushing, for 241337
241337	-----	" " " 241336 with 210537 and 350314F
241338	15959	Hook Shaft Bushing Oil Tube
*241339	-----	Needle Bar Connecting Link, for 241340
241340	15959	" " " " 241339 with 241341 and 241343
*241341	-----	Needle Bar Connecting Link Guide Block, for 241340
241342	15959	Needle Bar Connecting Link Guide Block G1b
*241343	-----	Needle Bar Connecting Link Guide Block Retaining Washer, for 241340
241345	15959	Needle Bar Connecting Stud with 202277, for 241346

No.	Plate	Name
241346	-----	Needle Bar Connecting Stud 241345 with 210882
241347	15954	Needle Bar Crank with 200335C, 200374C, 200383C and 200428C
241348	15954	Needle Bar Frame with 200070C and 201416C
241349	15959	Needle Bar Frame Guide Stud
241350	15954	" " " Pitman with 200054E and 202277
241351	15960	Needle Bar Support Stud
241352	15960	Presser Bar Bushing
241353	15962	Take-up (auxiliary)
241354	15962	" Lever
241355	15962	" " Driving Stud with 202277
241356	15962	" " Hinge Stud with 202423
241357	15962	" " Oiling Wick Eyelet
241358	15957	Tension Bracket with 201224B and two 236060, for 241359
241359	-----	Tension Bracket complete, Nos. 13710, 200978H, 201199F, 204271, 223703, 223704, 223706, 241358, 241366, two each 200309E 201572B and 244048
241360	15963	Thread Controller Spring Stop
241361	15963	" " Thread Guard
241362	15963	" Guide (lower)
241363	15963	" " (on needle bar frame)
241364	15963	" " (upper)
241366	15963	" Controller Spring, for 241359
241367	15954	Needle Bar with 200141F
241368	15958	Hook Driving Bevel Pinion, 24 teeth, with two 200378C
241369	15959	Hook Shaft Bevel Gear, 24 teeth, with two 200382C
241370	15953	Balance Wheel (disc) (belt groove 2-1/8 in. diam.) with 200328C and 200335C
241371	15966	Throat Plate, 60 needle hole, for needle sizes 8 and 9, for 210518 and 210519
241372	15964	Throat Plate, 60 needle hole, for needle sizes 8 and 9, for 241373
241373	15964	Feed Dog, for 241372
241374	-----	Presser Foot Shank, for 241375
241375	15964	Presser Foot (hinged) complete, 53 needle hole, Nos. 202090, 241374 and 241393
241376	-----	Presser Foot Plate, for 241377
241377	15966	Presser Foot (hinged) complete, Nos. 202090, 202923 and 241376
241378	-----	Presser Foot Plate, for 241379
241379	15967	Presser Foot (hinged) complete, 50 needle hole, Nos. 210620, 230795 and 241378

No.	Plate	Name
241380	15966	Throat Plate, 60 needle hole, for needle sizes 8 and 9, for 210518
241381	15965	Lace Guide (switch-up) with 201218E, for 241383
241382	15965	Lace Guide Bracket with 200363C, 201218E, 201237E, 201566B and 202126, for 241383
241383	15965	Lace Guide (switch-up) complete, for attaching lace to crepe de chine, Nos. 200934D, 206042, 241381 and 241382
241384	15965	Lace Guide, for 241385
241385	15965	Lace Guide Tension and Leader complete, Nos. 241384, 241390 to 241392, 350389D, two each 200170B and 200184B
241386	15967	Edge Guide
241387	15967	Presser Foot
241388	15965	Strip Folder on Shank (Furnish sample or state width of finished strap desired)
241389	15967	Strip Guide on Shank (State width of strip desired) Nos. 241390 to 241392, for 241385
241390	15965	Lace Guide and Tension Bracket Base
241391	15965	" Leader
241392	15965	" Tension Bracket
241393	-----	Presser Foot Plate, for 241375
244033	-----	" Bar (hollow), for 202335
244048	15962	Tension Disc, for 241359
244071	-----	Arm Cap Oil Wick, for 241302
249393	15959	Needle Bar Connecting Link Stud with 202254
249440	-----	Arm Shaft Ball Bearing, for 240055
259007	15968	Hat Sweat Folder Band Guide (adjustable), for 259015
259008	15968	Hat Sweat Folder Body, for 259009
259009	-----	" " " " 259008 with 259010 and two 200172H, for 259015
259010	15968	Hat Sweat Folder Edge Guide (adjustable) for 259009 Nos. 259011 to 259014, for 259015
259011	15968	Hat Sweat Folder Reed Guide
259012	15968	" " " Strip Guide (lower) (adjustable)
259013	15968	Hat Sweat Folder Strip Guide (upper) (adjustable)
259014	15968	Hat Sweat Folder Tension Spring
259015	-----	Hat Sweat Folder and Guide complete, Nos. 200126D, 200169B, 200459D, 201560D, 259007, 259009, 259011 to 259014, two each 200175D and 200585H

## NUMERICAL LIST OF PARTS

No.	Plate	Name
259017	15969	Presser Foot, for use with Throat Plate 259018
259018	15969	Throat Plate, 53 needle hole, for needle sizes 12 and 13, for use with Presser Foot 259017, for 210524
263014	15955	Bobbin Case Base, for 263019
263019	-----	Bobbin Case complete, Nos. 263014 and 263109, for 241332
263029	15958	Hook Driving Bevel Pinion Shaft Ball Bearing, for 241335
263032	15954	Hook Driving Bevel Pinion Shaft Ball Bearing Retainer
263033	15954	Hook Driving Bevel Pinion Shaft Belt Pulley with 202324 and two 201018C
263041	15962	Take-up Lever Oiling Wick with 263097
263094	15956	Feed Driving Eccentric Adjusting Disc Locking Stud, for 241309
263095	15956	Feed Driving Eccentric Adjusting Disc Locking Stud Spring, for 241309
263097	15962	Take-up Lever Oiling Wick Wire, for 263041
263099	15955	Bobbin
263108	15955	Case Cap with 200592C, 201016F and 263110, for 263109
263109	-----	Bobbin Case Cap complete, Nos. 200964E, 210736, 210914 and 263108, for 263019
263110	15955	Bobbin Case Tension Spring, for 263108
350314F	15959	Hook Shaft Position Screw, for 241337
350331E	15951	Arm Shaft Oil Reservoir Packing Screw, for 241311
350332E	15951	Arm Shaft Oil Reservoir Screw, for 241311
350351C	15956	Feed Driving Eccentric Screw, for 241309
350366H	15955	Bed Oil Stop Screw
350389D	15966	Lace Leader Wing Screw, for 241385

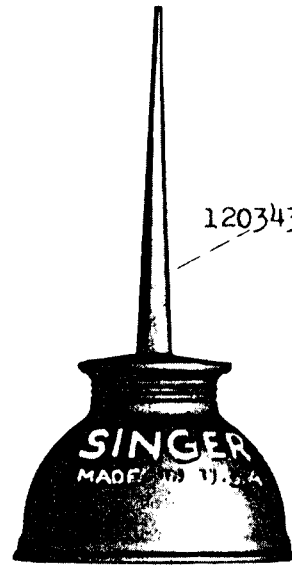
**ILLUSTRATIONS OF PARTS****FOR****MACHINE No. 143w1**

PLATE 10776 - ONE-HALF SIZE

120342

225498

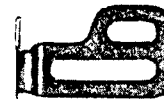
225497



120343



231337



225554



41400



PLATE 10881—FULL SIZE

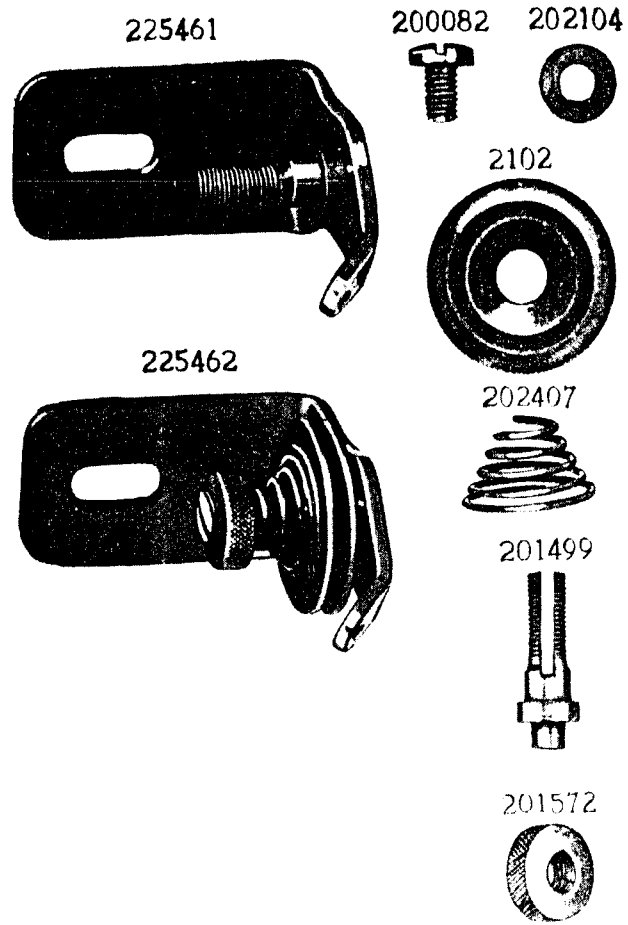


PLATE 10884—FULL SIZE

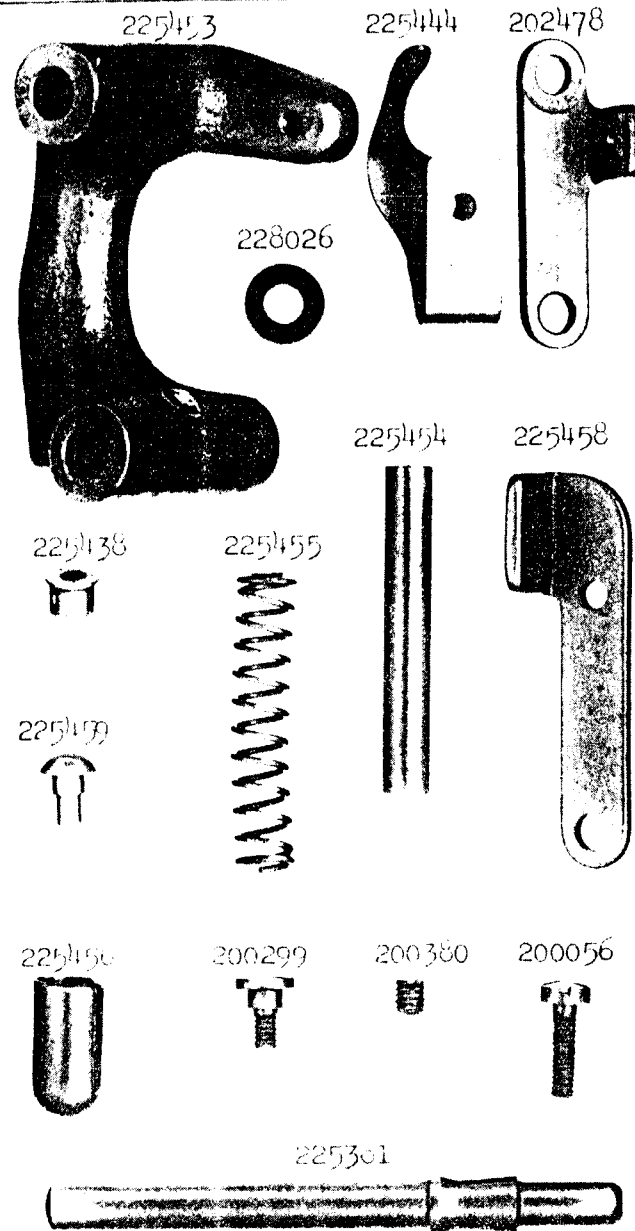


PLATE 10885--ONE-FOURTH SIZE

225433



202473



225382

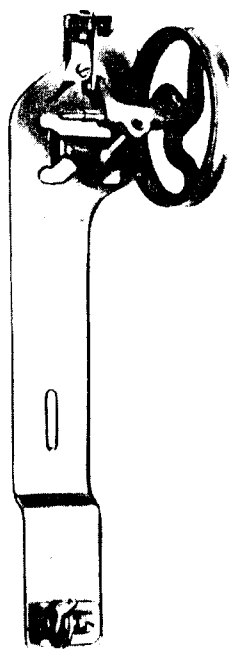
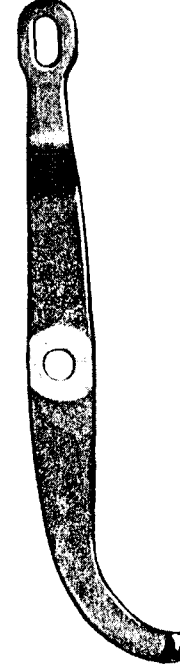


PLATE 14173--ONE-HALF SIZE

202447



210875



237837



PLATE 14363—ONE-SIXTH SIZE

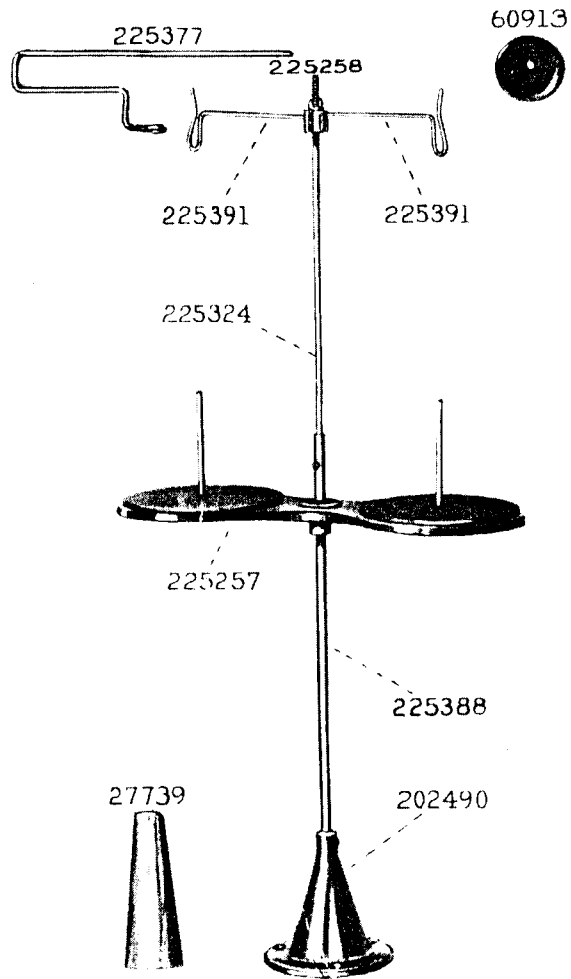


PLATE 15911—ONE-FOURTH SIZE

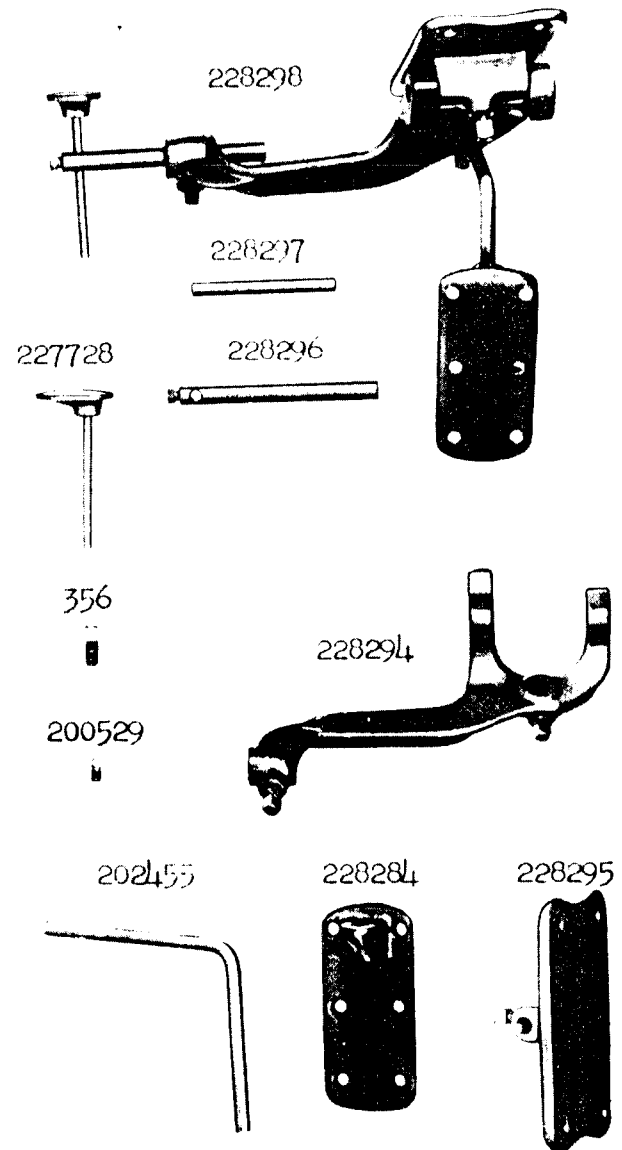




PLATE 15951 - FULL SIZE

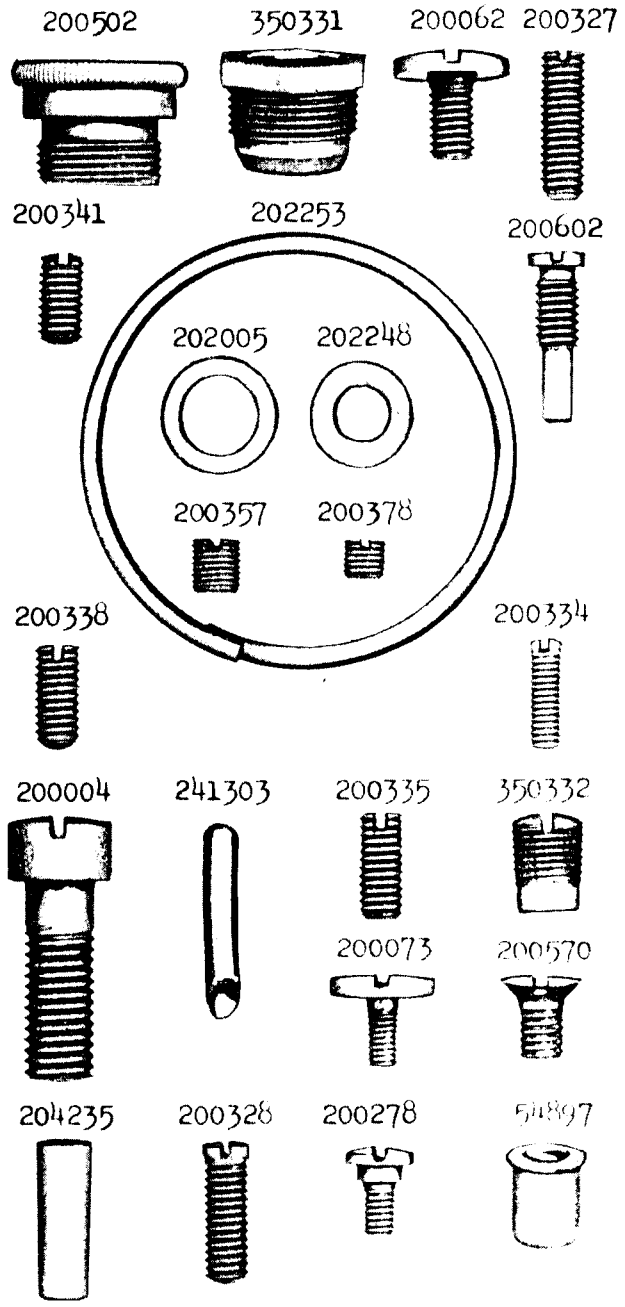


PLATE 15952 - ONE-HALF SIZE

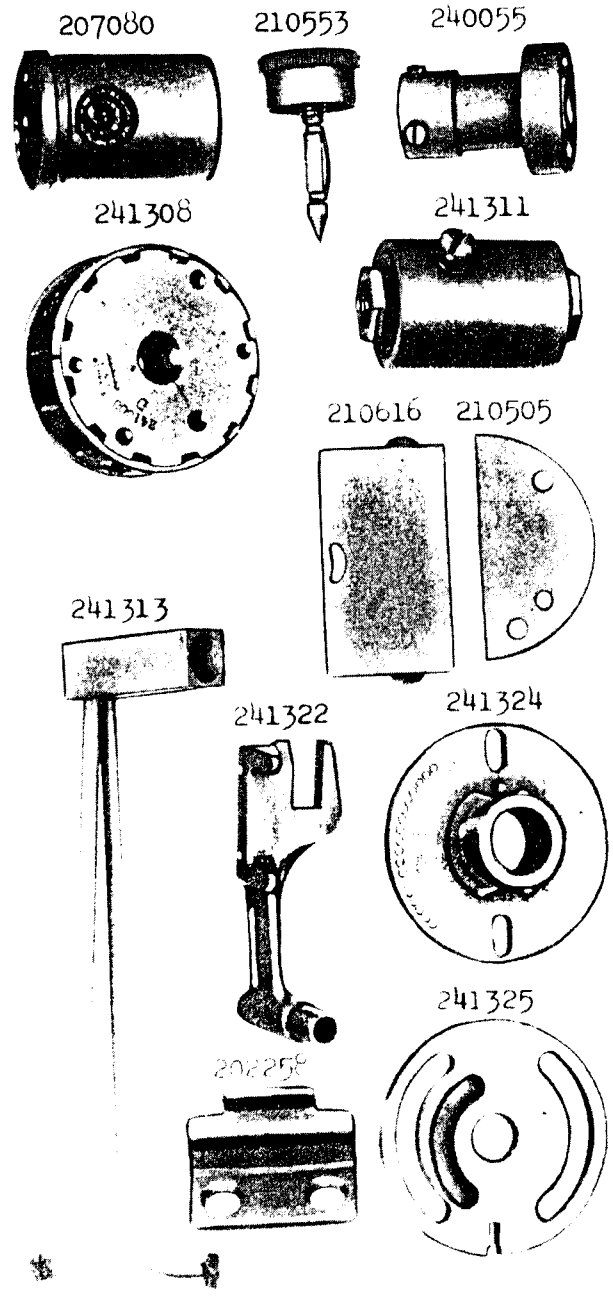


PLATE 15953 - ONE-FOURTH SIZE

241323 241329 210503 210535 241304



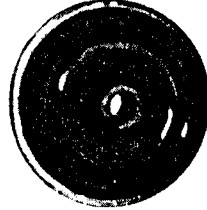
241327



241302



241370



202623



241321



226200

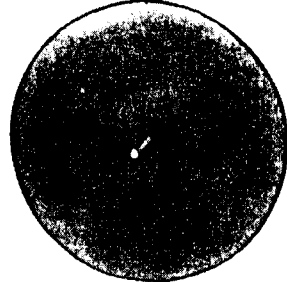
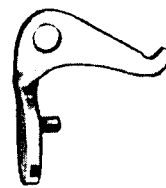
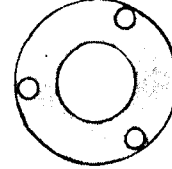


PLATE 15954 - ONE-HALF SIZE

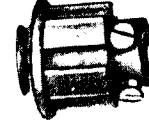
213161



263032



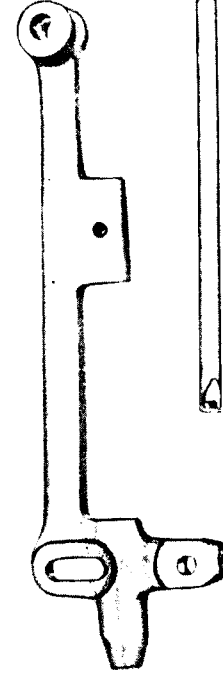
263033



241350



241348



241367



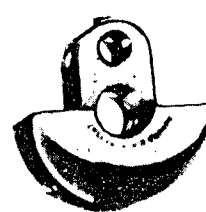
241336



210537



241347



202300

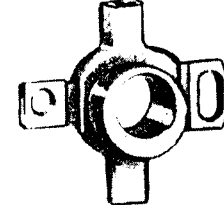


PLATE 15955 - FULL SIZE

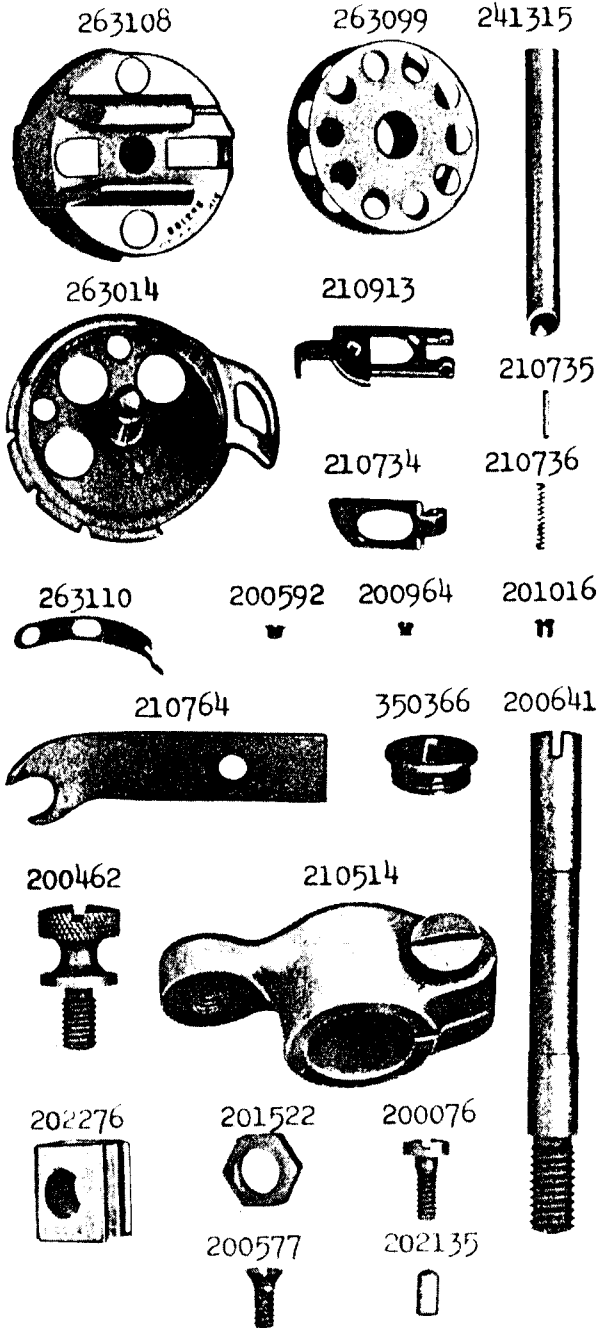


PLATE 15956 - FULL SIZE

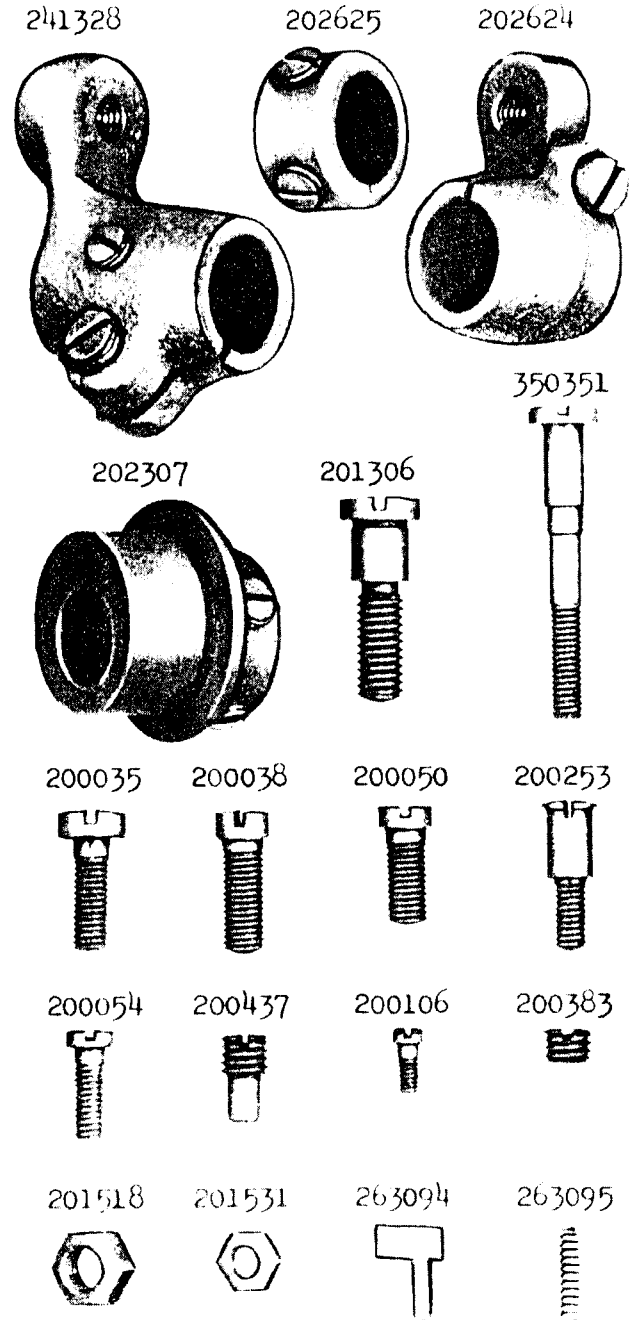
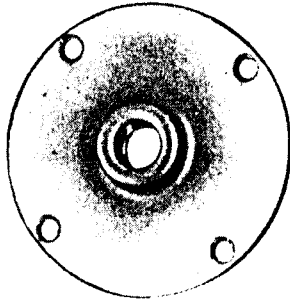


PLATE 15957 - ONE-HALF SIZE

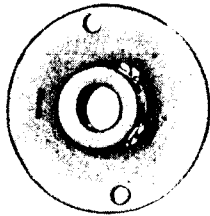
202335



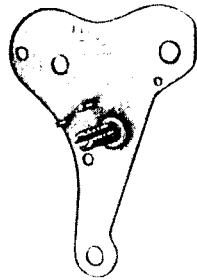
210551



210552



241358



210558



210699

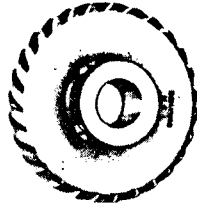
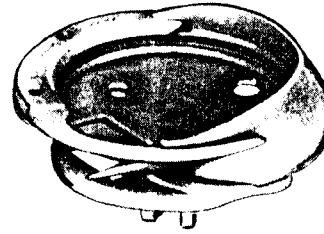
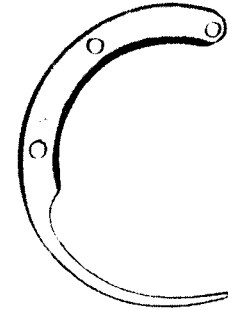


PLATE 15958 - FULL SIZE

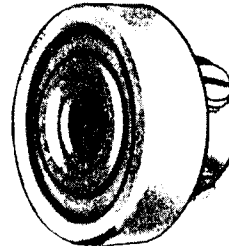
241331



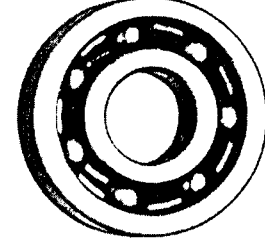
210536



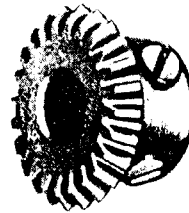
241335



263029



241368



206452



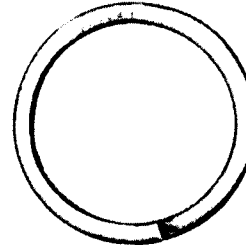
200665



200915



202324



200098



201018



213657



200370



200596



200382



200363



PLATE 15959 - FULL SIZE

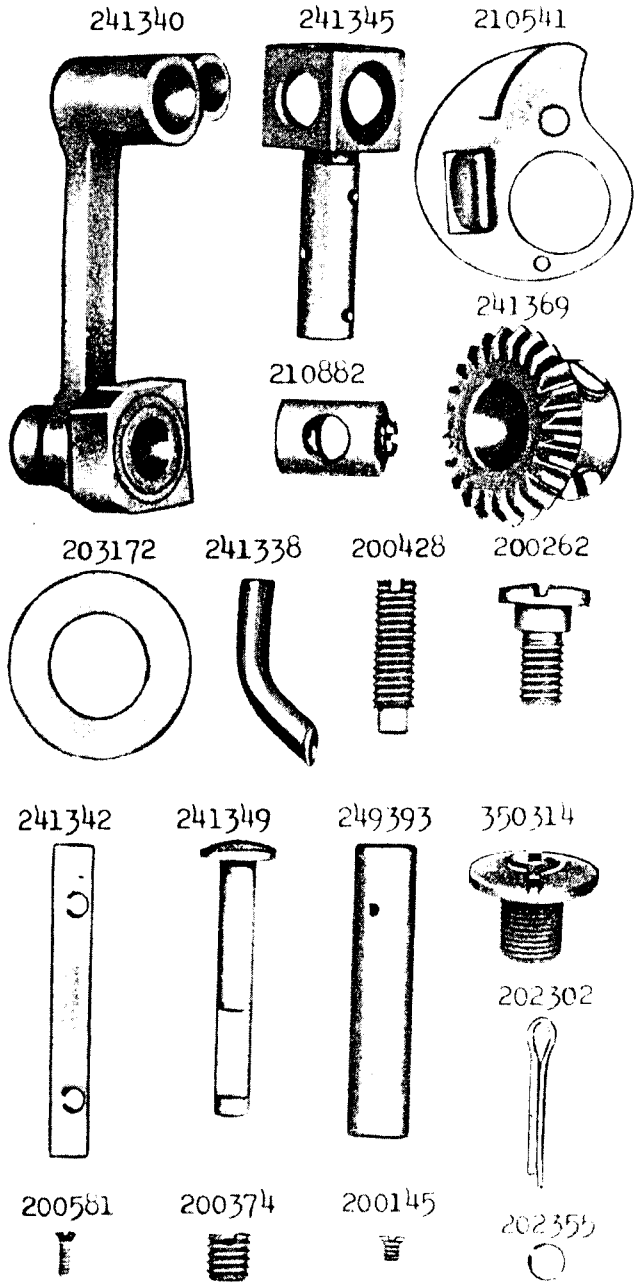


PLATE 15960 - FULL SIZE

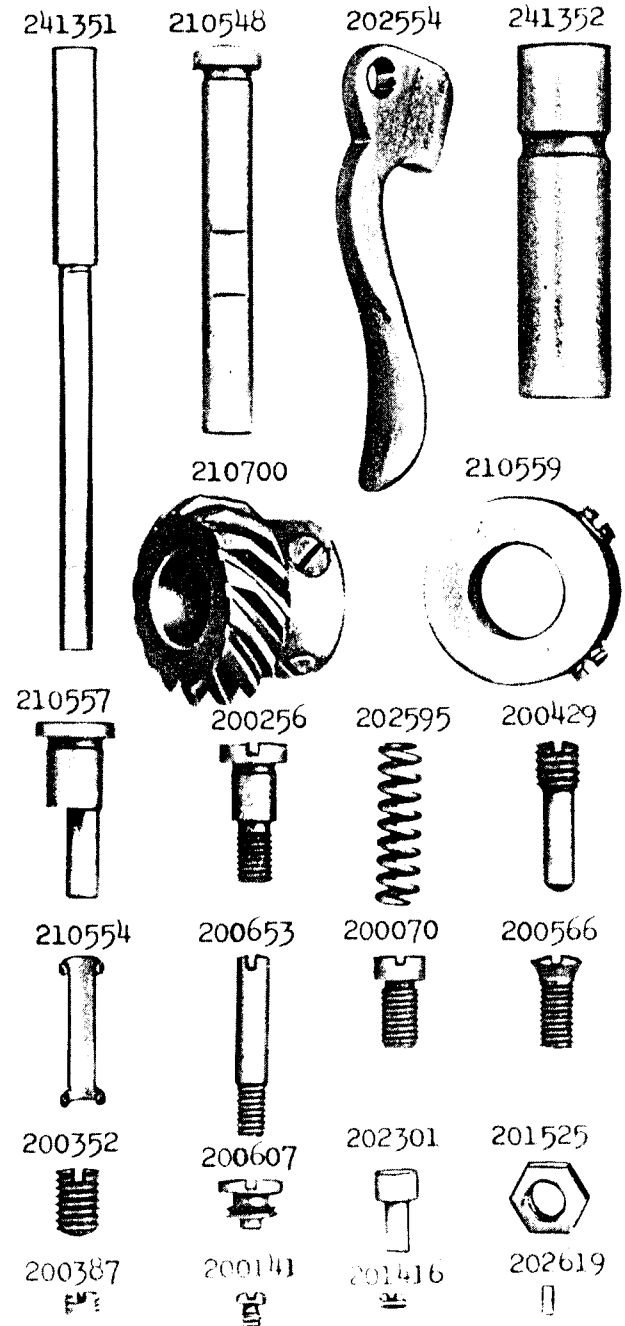


PLATE 15961 - FULL SIZE

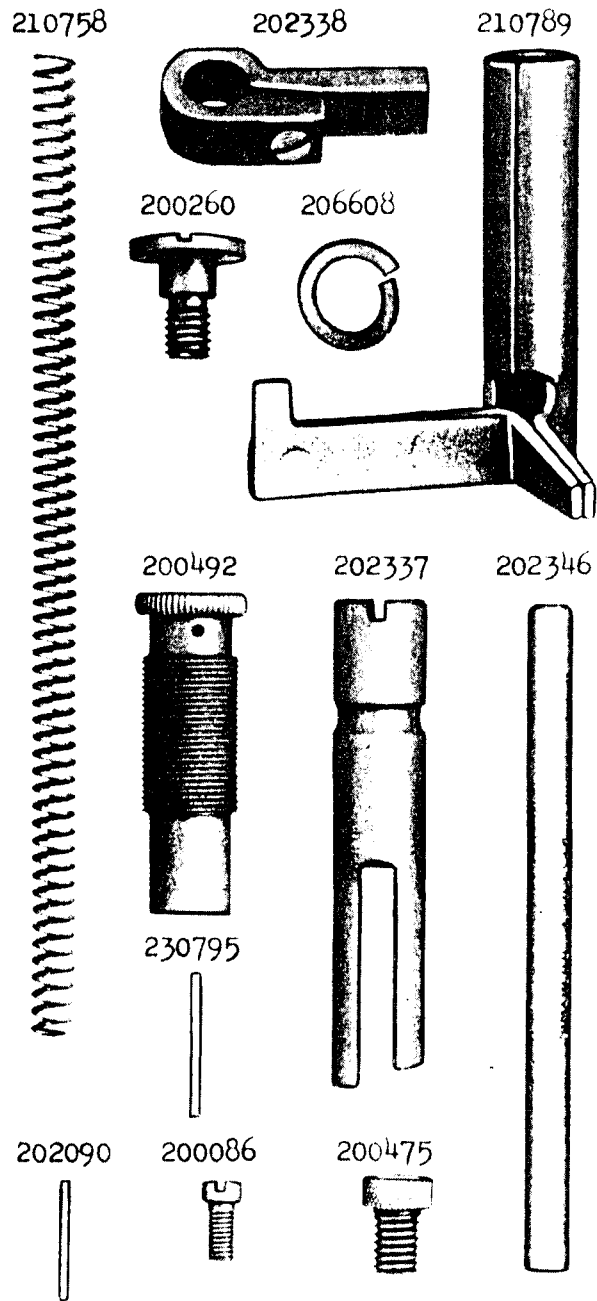


PLATE 15962 - FULL SIZE

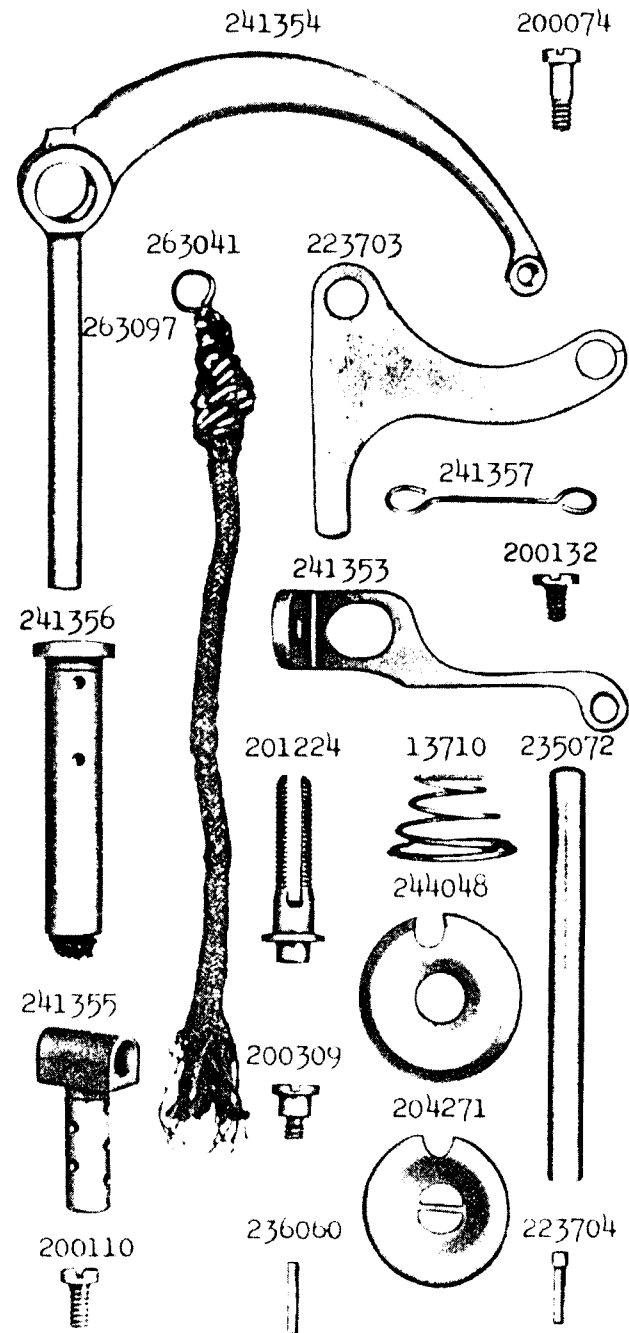


PLATE 15963 - FULL SIZE

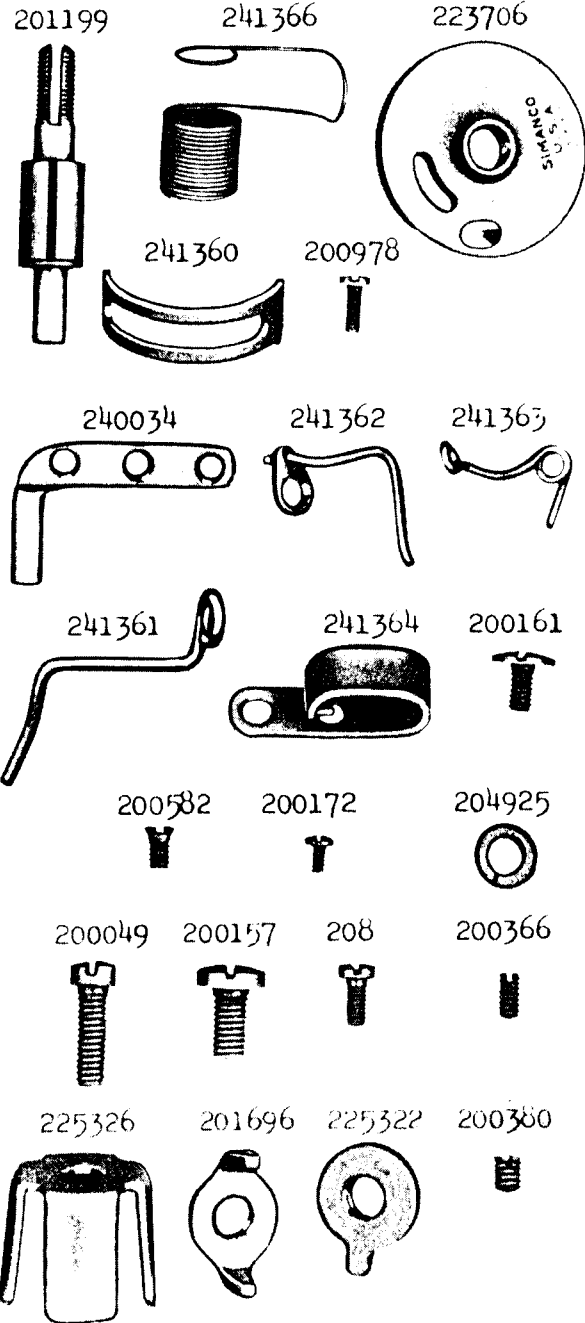


PLATE 15964 - FULL SIZE

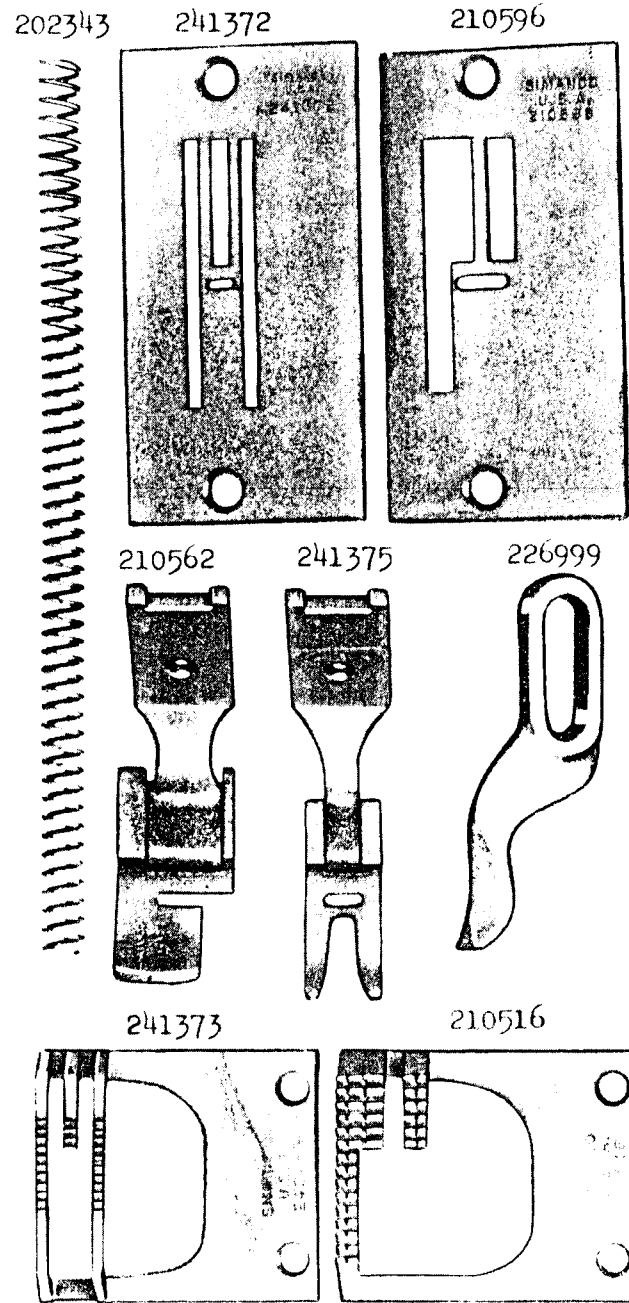


PLATE 15965 - ONE-HALF SIZE

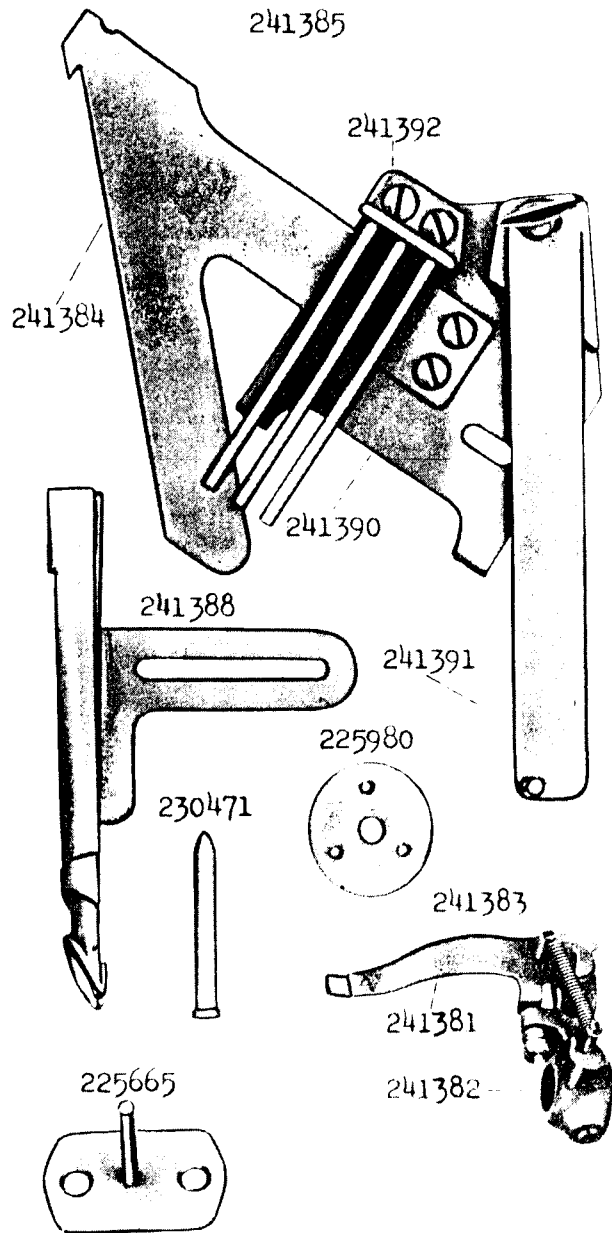


PLATE 15966 - FULL SIZE

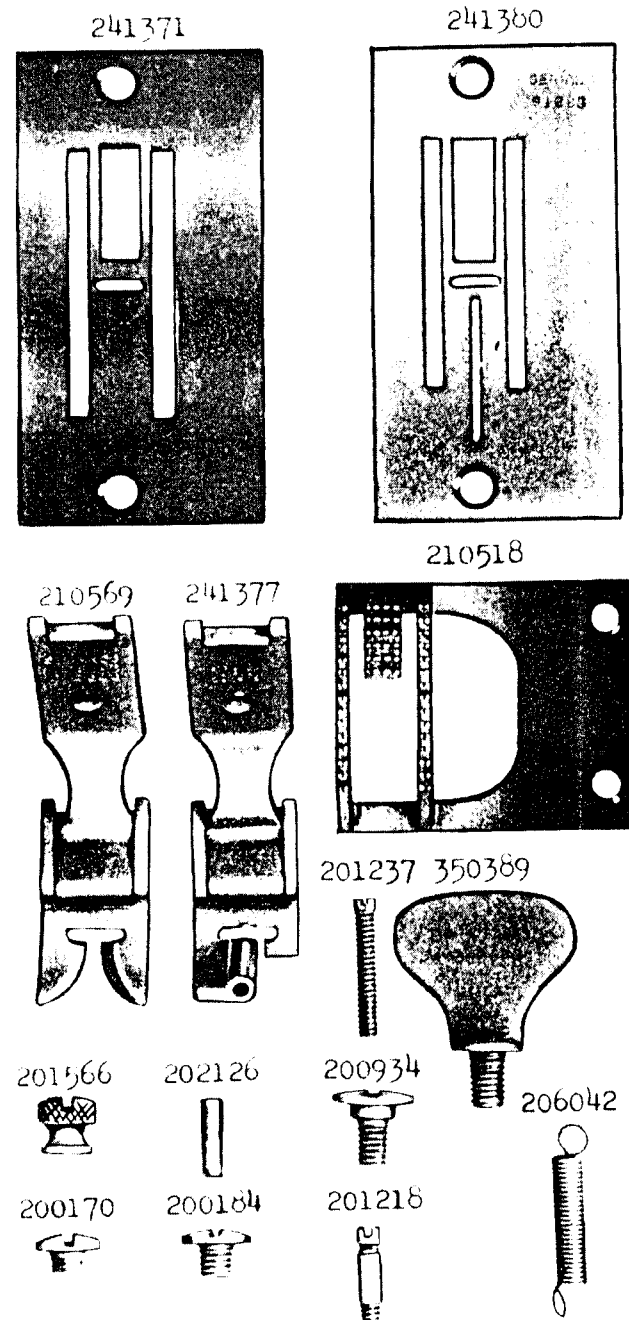




PLATE 15967 - FULL SIZE

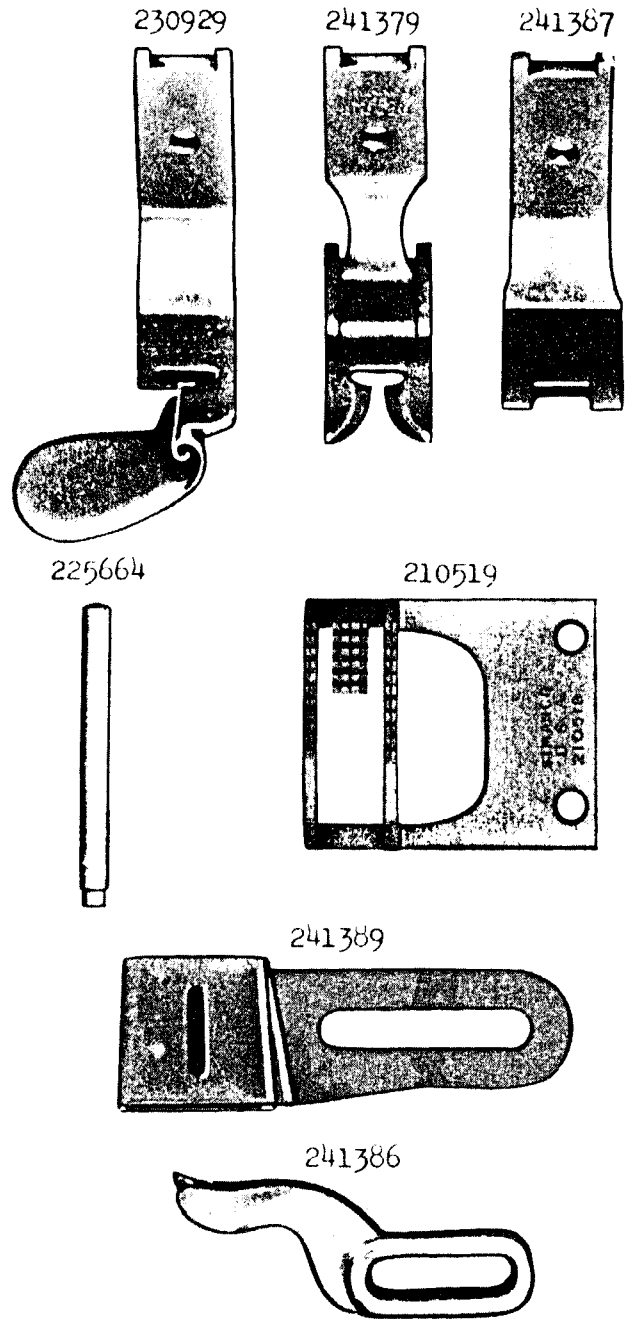


PLATE 15968 - FULL SIZE

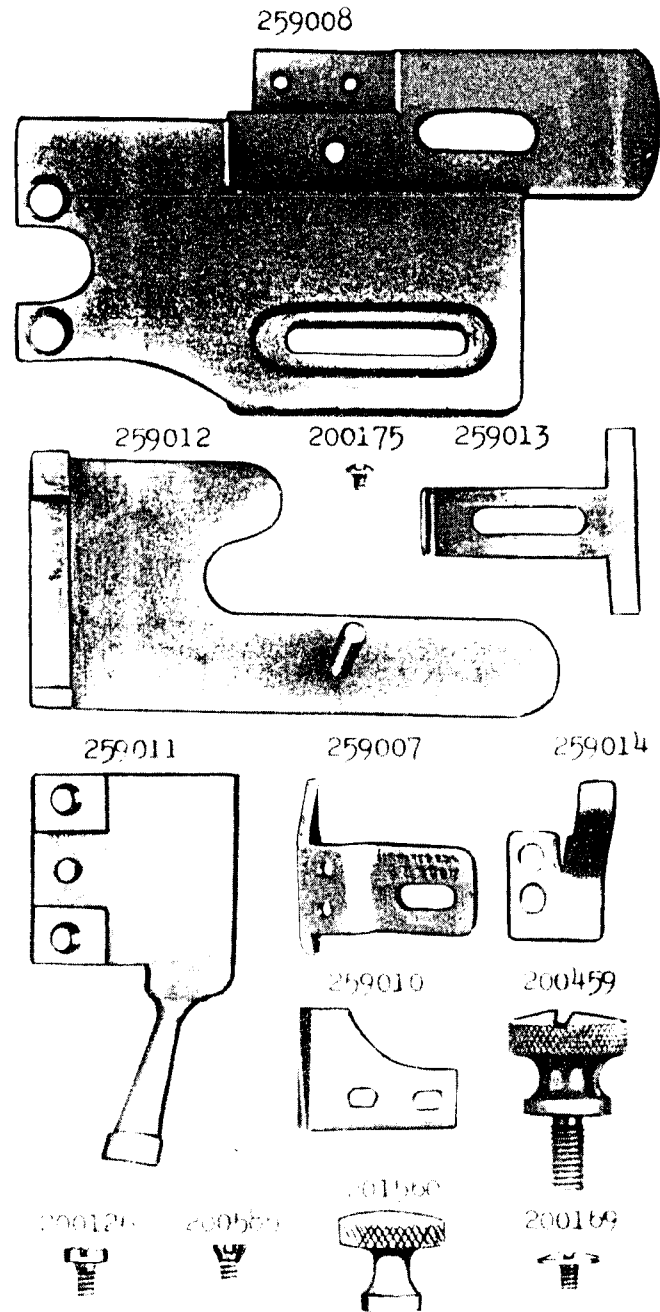
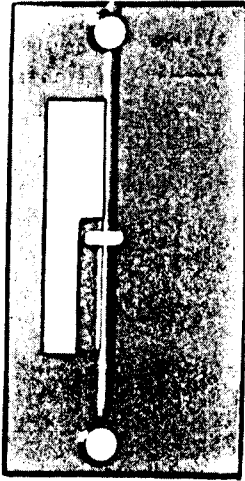
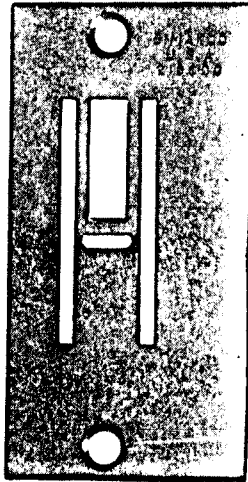


PLATE 15969 - FULL SIZE

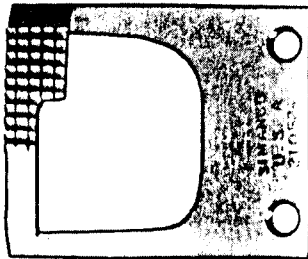
259018



210600



210524



259017



Genuine Singer Needles should be used  
in Singer Machines.  
These Needles and their Containers  
are marked with the  
Company's Trade Mark "SIMANCO." 1

Needles in Containers marked  
"For Singer Machines"  
are not Singer made needles. 2