

LIST OF PARTS



SINGER**

MACHINE No. 147-27

THE SINGER MANUFACTURING COMPANY

INSTRUCTIONS FOR OILING

To ensure easy running and prevent unnecessary wear of the parts which are in movable contact, the machine requires oiling and when in continuous use, "TYPE B" or "TYPE D" OIL, sold by Singer Sewing Machine Company, should be applied at least twice each day to all oil holes marked "OIL", as instructed in Form 18251.

"TYPE D" OIL should be used when an oil is desired which will produce a minimum of stain on fabrics, even after a long period of storage.

To insure satisfactory results, "TYPE E" THREAD LUBRICANT, sold by Singer Sewing Machine Company, should be used in the thread lubricator which is attached to the top of the machine.

INDEX

	Page
Accessories.....	14
Belt Guard.....	14
Bench Stand No. 79611.....	14
Foot Lifter Parts.....	15
Knee Lifter Parts.....	15
Machine Base.....	16
Machine Base Oil Drain Jar.....	16
Machine No. 147-27.....	5
Numerical List of Parts.....	19
Thread Unwinder.....	17

INSTRUCTIONS FOR ORDERING

In ordering from this list, use ONLY the part NUMBER in the FIRST column.

The number stamped on a Sewing Machine Part is in every case the number of the single part only.

Every combination of parts sent out as such has its specific number, which, although not stamped on the parts, must be used when ordering the combination.

Each number always indicates the SAME PART in whatever list it appears, or for whatever machine.

The letters after some of the numbers indicate the style of finish only, as follows:

- A-Hardened, Polished, Nickel Plated and Buffed
- A.A-Buffed and Chromium Plated
- A.B-Hardened, Polished, Buffed and Chromium Plated
- A.C-Brown Baking Enamel Finish
- A.D-Gray Baking Enamel Finish
- A.E-Hardened, Bright Rumbled and Nickel Plated
- A.F-Hardened, Bright Rumbled, Nickel Plated, Bright Rumbled and Chromium Plated
- B-Polished, Nickel Plated and Buffed
- C-Hardened Only
- C.R-Hardened and Merlized
- D-Polished Only
- E-Sort, Not Polished
- F-Hardened and Polished
- F.J-Hardened, Polished and Nickel Plated
- G-Bright Rumbled and Nickel Plated
- H-Blued
- J-Nickel Plated Only
- K-Hardened and Nickel Plated
- L-Brass Plated
- M-Oxidized
- N-Japaned, Dull
- P-Japaned, Bright
- P.P-Wrinkle Finish
- R-Merlized
- S-Cadmium Plated
- T-Copper Plated
- T.A-Hardened, Polished, Copper and Nickel Plated and Buffed
- T.B-Copper and Nickel Plated and Polished
- T.J-Copper and Nickel Plated Only
- T.K-Hardened, Copper and Nickel Plated
- T.L-Copper and Brass Plated
- T.M-Copper Plated and Oxidized
- U-Zinc Plated
- V-Silver Plated
- W-Polished and Nickel Plated
- X-Black Oxide, for Iron and Steel
- X.C-Hardened and Black Oxide, for Iron or Steel
- Y-Black Nickel Plated Only
- Z-Chromium Plated
- Z.A-Hardened, Polished, Nickel Plated, Buffed and Chromium Plated
- Z.B-Polished, Nickel Plated, Buffed and Chromium Plated
- Z.C-Hardened and Chromium Plated
- Z.D-Polished and Chromium Plated
- Z.G-Bright Rumbled, Nickel Plated, Bright Rumbled and Chromium Plated
- Z.J-Nickel and Chromium Plated
- Z.T-Copper and Chromium Plated

These letters MUST BE USED when they appear in the list; and AFTER the number as in the list.

In this series:

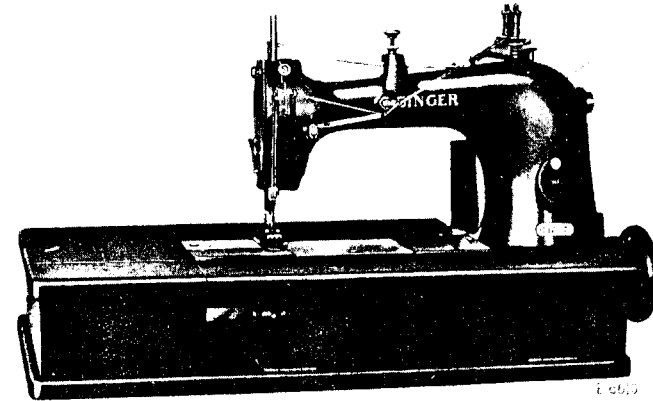
- 1 to 1500, 50001 to 51500 and 140001 to 142000 are Screw Numbers
- 1501 to 1800 and 51501 to 51800 are Nut Numbers
- 1801 to 2000 and 51801 to 52000 are Roller Numbers
- 2001 to 50000 and 52001 to 140000 and 142001 to 190000 are Sewing Machine Parts, 190001 and upward are numbers of Electrical Parts.

The figures in the second column refer only to the plates, illustrating the parts, and are NOT TO BE USED in ordering.

Parts marked with an asterisk (*) are furnished only when repairs are made at factory.

When ordering parts which differ as to Gauge (the distance between seams) the Gauge, as well as the Number must be given on order.

LIST OF PARTS COMPLETE FOR



MACHINE No. 147-27

For Cording, Imitation or Air Cording and Tucking. Two needles, one looper. Gauges from 3/64 inch to 1/8 inch, in steps of 1/64 inch. Maximum stitch 8 to the inch. Speed up to 3500, according to the material being stitched.

No.	Plate	Name
*54283	-----	Arm, upper and lower (solid) with 948J, 15404, 54034 and two 15405.....
42366	20622	Arm Oil Pad (braided cotton) for oiling Arm Rock Shaft Front Bearing.....
56006	20622	Arm Oil Pad (braided cotton) for oiling Arm Rock Shaft Intermediate Bearing.
56003	20622	Arm Oil Tube with 52045, for oiling Needle Bar Connecting Link.....
52045	20622	Arm Oil Tube Packing (wick).....
54002	20622	" Rock Shaft.....
54079	-----	" " " 54002 with 54004 and 64255
64386	20622	" " " Bushing (back).....
446C	20622	" " " " " Set Screw..
64388	20622	" " " " (intermediate)....
423C	20622	" " " " " Set Screw.....

No.	Plate	Name
52045	20622	Arm Rock Shaft Bushing Oil Pad (wick)...
54004	20622	" " " Collar with two 453C.....
453C	20622	" " " " Set Screw.....
131343	20660	" " " Crank, back (ball bearing, solid) with two 50083C.....
50083C	20660	Arm Rock Shaft Crank (back) Set Screw...
64255	20622	" " " " (front) with 453C..
2117	20622	" " " " Pin.....
453C	20622	" " " " Set Screw..
54105	20622	" " " Flanged Bushing (front)..
52045	20622	" " " " " " " Oil Pad (wick).....
453C	20622	Arm Rock Shaft Flanged Bushing (front) Set Screw.....
*54006	20660	Arm Rotary Shaft.....
Note: When No. 54006 is required for repairs, the Looper Driving Shaft and Feed Lifting Eccentric must be returned to the factory to be adjusted to the new part.		
131347	-----	Arm Rotary Shaft 54006 with 640E, 54113, 54447, 54450, 64351, 64355 and 131345
54367	20660	Arm Rotary Shaft Bushing (front).....
761E	20660	" " " " " Set Screw
54007	20660	" " " " (intermediate).
54089	-----	" " " " " " " 54007 with 64508 and 64805.....
64508	20660	Arm Rotary Shaft Bushing (intermediate) Oil Pad, long (braided cotton).....
64805	20660	Arm Rotary Shaft Bushing (intermediate) Oil Pad, short (braided cotton).....
422C	20660	Arm Rotary Shaft Bushing (intermediate) Set Screw (long).....
50084C	20660	Arm Rotary Shaft Bushing (intermediate) Set Screw (short).....
54450	20660	Arm Rotary Shaft Collar with two 1258C..
1258C	20660	" " " " Set Screw.....
54009	20660	" " " Flanged Bushing.....
54090	-----	" " " " " " " 54009 with 58039 and 64805.....
58039	20660	Arm Rotary Shaft Flanged Bushing Oil Pad, long (braided cotton).....
64805	20660	Arm Rotary Shaft Flanged Bushing Oil Pad, short (braided cotton).....
159F	20660	Arm Rotary Shaft Flanged Bushing Screw..
49013	20660	" " " Front Bearing Oil Pad (braided cotton).....
144D	20660	Arm Rotary Shaft Screw.....
15196	20625	" Side Cover (back).....
51224W	20625	" " " " Thumb Screw.....
54010	20625	" " " (front).....

No.	Plate	Name
51224W	20625	Arm Side Cover (front) Thumb Screw.....
54210	20660	Balance Wheel, 2 5/8 in. pulley, with two 51283C.....
51283C	20660	Balance Wheel Set Screw.....
54284	20664	Cloth Plate.....
54012	20664	" " Slide (left).....
38419	20664	" " " " Spring.....
725J	20664	" " " " " Screw...
54013	20664	Cloth Plate Slide (left) complete, Nos. 38419, 54012 and two 725J.....
54285	20664	Cloth Plate Slide (right) with 1602E....
1602E	20664	" " " " Bushing.....
38416	20664	" " " " Spring.....
725J	20664	" " " " " Screw..
54286	20664	Cloth Plate Slide (right) complete, Nos. 54285, two 38416 and four 725J.....
54287	-----	Cloth Plate complete, Nos. 54013, 54284 and 54286.....
1011F	20664	Cloth Plate Screw (left).....
50473F	20664	" " " (right).....
54104	20664	" " Thread Guard.....
1235F	20664	" " " " Screw.....
54288	20664	Cord Guide.....
1480R	20664	" " Screw.....
54017	20660	Crank Connecting Rod with 6575, 54218, 68350 and two each 896E and 1057E...
131345	-----	Crank Connecting Rod 54017 with 131343..
896E	20660	" " " Cap (lower) Screw..
1057E	20660	" " " " (upper) Screw..
68350	20660	" " " Oil Cup.....
54218	20660	" " " " Pad (braided cotton).....
6575	20660	Crank Connecting Rod Oil Pad Stop Pin...
64269	20625	Face Plate.....
46111	20625	" " Pin.....
51224W	20625	" " Thumb Screw.....
54019	20661	Feed Bar with 50429C and two 453C.....
54020	20661	" " Connection.....
57225	20661	" " Hinge Pin.....
453C	20661	" " " " Set Screw.....
54111	20660	" Connecting Rod with 1057E and two 896E.....
54113	-----	Feed Connecting Rod 54111 with 54025....
896E	20660	" " " Cap Screw.....
1057E	20660	" " " Clamping Screw.....
54023	20661	" " " Hinge Pin.....
21506	20661	" " " " Collar with 457C.....
457C	20661	Feed Connecting Rod Hinge Pin Collar Set Screw.....

No.	Plate	Name
54352	20665	Feed Dog, 18 teeth (16 teeth to the inch) for 3/64 in. to 1/8 in. gauges, for 54293 to 54295.....
157J	20665	Feed Dog Screw.....
50429C	20661	" " Stop Screw.....
51061C	20660	" Eccentric Body Set Screw.....
7071	20660	" " Clamping Washer.....
217J	20660	" " " Screw....
54025	20660	Feed Eccentric (adjustable) complete, Nos. 1103C and two each 217J, 7071 and 51061C.....
1103C	20660	Feed Regulating Screw.....
54026	20661	" Rocking Frame with two 453C.....
54077	-----	" " " 54026 with 21506, 54019, 54020, 54023 and 57225.....
57234	20661	Feed Rocking Frame Hinge Pin.....
57235	20661	" " " " " Bushing....
453C	20661	" " " " " Set Screw.....
453C	20661	Feed Rocking Frame Hinge Pin Set Screw..
54289	20668	Looper with 590J and 38393.....
54290	20668	" 54289 with 229D and 52661.....
54027	20661	" Carrier with two 175E.....
175E	20661	" " Adjusting Screw.....
54227	20661	" " Connection.....
54228	20661	" " " Shaft.....
54229	20661	" " " " Bushing.
446C	20661	" " " " " Set Screw.....
49013	20661	Looper Carrier Connection Shaft Oil Pad (braided cotton).....
54230	20661	Looper Carrier Driver with four 175E....
175E	20661	" " " Cap Screw.....
*54440	20661	" Driving Shaft and Feed Lifting Eccentric with 227E and two 64315...

Note: When No. 54440 is required for repairs, the Arm Rotary Shaft must be returned to the factory to be adjusted to the new part

*54447	-----	Looper Driving Shaft and Feed Lifting Eccentric 54440 with 54027, 54227, 54228 and 54230.....
*54034	-----	Looper Driving Shaft and Feed Lifting Eccentric Bracket with 761E.....
54080	20661	Looper Driving Shaft and Feed Lifting Eccentric Bracket Bushing.....
761E	20661	Looper Driving Shaft and Feed Lifting Eccentric Bracket Bushing Set Screw.
948J	20661	Looper Driving Shaft and Feed Lifting Eccentric Bracket Screw.....
64315	-----	Looper Driving Shaft and Feed Lifting Eccentric Oil Hole Plug.....

No.	Plate	Name
227E	20661	Looper Driving Shaft and Feed Lifting Eccentric Oil Hole Screw.....
40326	20661	Looper Driving Shaft and Feed Lifting Eccentric Oil Pad (braided cotton)..
640E	20660	Looper Driving Shaft and Feed Lifting Eccentric Screw.....
54035	20661	Looper Holder with 1120C.....
704J	20661	" " Screw.....
52661	20668	" Needle Guard with 46105.....
46105	20668	" " " Pin.....
229D	20668	" " " Screw.....
1120C	20661	" Set Screw.....
38393	20668	" Thread Guard.....
590J	20668	" " " Screw.....
54186	20662	Needle Bar (hollow) for 54187.....
64319	20662	" " " for 54345.....
54187	20662	Needle Bar complete for 3/64 in. to 5/64 in. gauges, Nos. 2273, 46070, 46166 and 54186.....
54345	20662	Needle Bar complete for 3/32 in. to 1/8 in. gauges, Nos. 46269 and 64319....
Note: When ordering No. 54345, state gauge required.		
38456	20662	Needle Bar Bushing (lower).....
1133E	20662	" " " " Set Screw....
64320	20662	" " " (upper).....
1133E	20662	" " " " Set Screw....
54326	20662	" " Connecting Link.....
54329	20662	" " " " 54326 with 54327 and 54328.....
54327	20662	Needle Bar Connecting Link Hinge Stud...
1520J	20662	" " " " " Nut
54328	20662	" " " Stud with 211F and two 187E.....
187E	20662	Needle Bar Connecting Stud Clamping Screw.....
46166	20662	Needle Clamp with 462F, for 3/64 in. to 5/64 in. gauges, for 54187.....
46269	20662	Needle Clamp with two 735F, for 3/32 in. to 1/8 in. gauges, for 54345.....
Note: When ordering No. 46269, state gauge required.		
46070	20662	Needle Clamp Gib.....
2273	20662	" " Pin.....
462F	20662	" " Screw.....
54037	20668	" Guard.....
54038	20668	" " Holder.....
176J	20668	" " " Screw.....
217F	20668	" " Screw.....
735F	20662	" Set Screw for 46269.....
54108	20625	Oil Tube.....
54109	20625	" " Bracket.....

No.	Plate	Name
49092	20625	Oil Tube Packing (felt).....
54110	20625	Oil Tube complete, for oiling Crank Connecting Rod (upper bearing) Nos. 49092, 54108 and 54109.....
64330	20662	Presser Bar with 25303.....
25303	20662	" " Ball, size 1/4 in.....
64331	20662	" " Bushing (lower).....
1133E	20662	" " " " Set Screw....
38456	20662	" " " (upper).....
1133E	20662	" " " " Set Screw....
54039	20662	" " Guide Bracket with 453C, 640J and 1963.....
640J	20662	Presser Bar Guide Bracket Adjusting Screw.....
11173	20662	Presser Bar Guide Bracket Guide.....
447C	20662	" " " " " Set Screw
1963	20662	" " " " Roller and Stud
453C	20662	" " " " Set Screw.....
57257	20662	" " Lifter.....
57258	20662	" " " Hinge Stud.....
447C	20662	" " " " Set Screw.
1872	20662	" " " Roller and Stud.....
1250C	20662	" " " Stop Screw.....
61047	20662	" " Lifting Bracket with 460C and 1872.....
68208	20625	Presser Bar Lifting Lever.....
61075	20625	" " " " Connecting Pin
460C	20662	" " " " " " " Set Screw.....
68184	20625	Presser Bar Lifting Lever Extension....
161D	20625	" " " " " Screw
802D	20625	" " " " Hinge Screw...
38467	20625	" " Spring (flat).....
38468	20625	" " Stud.....
18055	20665	" Foot Hinge Pin.....
23859	20665	" Plate.....
46270	20665	" Shank.....
46271	20665	Presser Foot (hinged) complete for 3/64 in. to 1/8 in. gauges, for general work, Nos. 18055, 23859 and 46270....
18055	20665	Presser Foot Hinge Pin.....
23777	20665	" " Plate.....
46270	20665	" " Shank.....
46272	20665	Presser Foot (hinged) complete for imitation cording and tucking, Nos. 18055, 23777 and 46270.....
18055	20666	Presser Foot Hinge Pin.....
23778	20666	" " Plate.....
46270	20666	" " Shank.....
46273	20666	Presser Foot (hinged) complete for cord- ing, Nos. 18055, 23778 and 46270....

No.	Plate	Name
18055	20666	Presser Foot Hinge Pin.....
38014	20666	" " Plate.....
46270	20666	" " Shank.....
46309	20666	Presser Foot (hinged) complete for gang cording and pin tucking, Nos. 18055, 38014 and 46270.....
18055	20667	Presser Foot Hinge Pin.....
52637	20667	" " Plate.....
46270	20667	" " Shank.....
52638	20667	Presser Foot (hinged) complete for 3/64 in. gauge, for air cording and tuck- ing 1/32 in. high, Nos. 18055, 46270 and 52637.....
18055	20667	Presser Foot Hinge Pin.....
52640	20667	" " Plate.....
46270	20667	" " Shank.....
52641	20667	Presser Foot (hinged) complete for 3/64 in. and 1/16 in. gauges, for air cording and tucking 3/64 in. high for cotton, Nos. 18055, 46270 and 52640.....
18055	20668	Presser Foot Hinge Pin.....
52643	20668	" " Plate.....
46270	20668	" " Shank.....
52644	20668	Presser Foot (hinged) complete for 3/64 in. and 1/16 in. gauges, for air cording and tucking 1/16 in. high, Nos. 18055, 46270 and 52643.....
46191	20668	Presser Foot Guide (left).....
223F	20668	" " " " Set Screw.....
46192	20668	" " " (right).....
1076F	20668	" " " " Set Screw....
46193	20668	" " " Holder with 223F and 1076F.....
190J	20665	Presser Foot Screw.....
574W	20625	Pressure Regulating Thumb Screw.....
1539W	20625	" " " " Lock Nut
54381	20663	Slack Thread Controller.....
54242	20663	" " " Clamp.....
190J	20663	" " " " Screw....
54291	20663	" " Regulator Holder Shaft Hole Plug.....
2102	20629	Tension (under thread) Disc.....
51570C	20629	" " " Regulating Thumb Nut.....
50326C	20629	Tension (under thread) Screw Stud.....
59539	-----	" " " " " 50326C with 51570C.....
131740	20629	Tension (under thread) Spring.....
59537	20629	" " " " Bushing (large).....

No.	Plate	Name
59538	20629	Tension (under thread) Spring Bushing (small).....
131696	20629	Tension (under thread) Thread Guide.....
54070	20663	" (upper thread) Bracket.....
376J	20663	" " " " Screw....
2102	20663	" " " " Disc.....
51570C	20663	" " " " Regulating Thumb Nut.....
32572	20663	Tension (upper thread) Releasing Disc...
54988	20663	" " " " Pin....
54071	20663	" " " " Shaft..
54047	20663	" " " " "
54048	20663	Crank with 624C.....
624C	20663	Tension (upper thread) Releasing Shaft Crank Link.....
68261	20663	Tension (upper thread) Releasing Shaft Crank Set Screw.....
316F	20663	Tension (upper thread) Releasing Shaft Spring.....
1547J	20663	Tension (upper thread) Releasing Shaft Stop Screw.....
50326C	20663	Tension (upper thread) Releasing Shaft Stop Screw Nut.....
59539	-----	" " " " " " 50326C with 51570C.....
131741	20663	Tension (upper thread) Spring.....
59537	20629	" " " " " Bushing (large).....
59538	20663	Tension (upper thread) Spring Bushing (small).....
131696	20663	Tension (upper thread) Thread Guide (double).....
53225	20629	Thread (under) Eyelet (back).....
190J	20629	" " " " " Screw.....
38284	20629	" " " " " (front).....
64351	20660	" " " " " Nipper Cam with 465C.....
465C	20660	" " " " " Set Screw.....
38210	20629	" " " " " Spring (lower)....
38211	20629	" " " " " (upper)....
46247	20629	" " " " " Stop Screw.....
176J	20629	" " " " " " Screw.....
38475	20660	" " " " " Take-up with 465C.....
465C	20660	" " " " " Set Screw.....
38478	20629	" " " " " Staple with two each 590J and 38481.....
54049	20629	Thread (under) Take-up Staple Bracket with 460C.....
965D	20629	Thread (under) Take-up Staple Bracket Screw.....

No.	Plate	Name
46041	20629	Thread (under) Take-up Staple Spring....
190J	20629	" " " " " Screw
38481	20629	" " " " " Thread Guard.....
590J	20629	Thread (under) Take-up Staple Thread Guard Screw.....
38482	20629	Thread (under) Take-up Stripper.....
207J	20629	" " " " " Screw...
64355	20660	" " " " " Thread Guard (brass).....
64356	20629	Thread (under) Take-up Thread Guard Steady Pin.....
460C	20629	Thread (under) Take-up Thread Guard Steady Pin Set Screw.....
54330	20663	Thread (upper) Controller.....
207J	20663	" " " " " Screw.....
46009	20663	" " " " " Eyelet.....
190J	20663	" " " " " Screw.....
131334	20663	" " " " " Take-up.....
54095	20663	" " " " " Plate.....
68164	20663	" " " " " Spring.....
1449J	20663	" " " " " " Screw
131335	20663	Thread (upper) Take-up complete, Nos. 1449J, 54095, 68164 and 131334.....
211F	20662	Thread (upper) Take-up Set Screw.....
52664	20665	Throat Plate Body.....
52665	20665	" " " " " Slide.....
23788	20665	" " " " " Slide.....
23787	20666	" " " " " Slide.....
52639	-----	" " " " " Slide.....
52642	-----	" " " " " Slide.....
52645	-----	" " " " " Slide.....
54292	20665	" " " " " Stop.....
54293	20665	Throat Plate complete for 54352, for 3/64 in. to 1/8 in. gauges, for general work, Nos. 665J, 46075, 52664, 52665 and 54292.....
54294	20666	Throat Plate complete for 54352, for 3/64 in. to 1/8 in. gauges, for imitation cording and tucking, Nos. 665J, 23788, 46075, 52664 and 54292.
54295	20666	Throat Plate complete for 54352, for 3/64 in. to 1/8 in. gauges, for cording, Nos. 665J, 23787, 46075, 52664 and 54292.....
742F	20665	Throat Plate Screw.....
46075	20665	" " " " " Thread Retainer.....
665J	20665	" " " " " " Screw.....
*15404	-----	Trade Mark.....
15405	-----	" " " " " Rivet.....

ACCESSORIES

No.	Plate	Name
120344	20656	Oiler (copper plated) with 120345.....
120345	20656	" Spout, 4 1/2 in. long.....
120440	20656	Screw Driver (large).....
121108	20656	" " (small).....
38487	20656	Threading Wire.....
120341	20656	Tweezers (curved).....
8908	20656	Wrench for 1520.....
4822	20656	" " 1547.....

BELT GUARD

No.	Plate	Name
68222	20633	Belt Guard with two wood screws 1 in. No. 12.....

BENCH STAND No. 79611

No.	Plate	Name
79611	-----	Bench Stand with 27998, two each 41538, 126849, three wood screws 1 1/4 in. No. 12, four each 60656, wood screws 1 1/4 in. No. 10, eight wood screws 5/8 in. No. 6 and sixteen wood screws 5/8 in. No. 7.....
126849	20656	Flap Hinge with four wood screws 3/4 in. No. 7.....
27998	20656	Flap Hook and Eye (brass) with wood screw 1/2 in. No. 5.....
126247	20656	Flush Bolt.....
126248	20656	" " Plate.....
41538	-----	Flush Bolt with Plate complete, Nos. 126247, 126248 and four brass wood screws 5/8 in. No. 4 F.H.....
60656	20656	Hinge.....

FOOT LIFTER PARTS

No.	Plate	Name
6439	-----	Chain, 36 in. to 45 in. with 56864 and 56865.....
Note: When ordering No. 6439, state length required.		
4879	20633	Chain Connecting Link.....
56864	20656	" Hook (large).....
56865	20656	" " (small).....
126249	20633	Treadle.....
4882	20633	" Shaft.....
126250	20633	" Spring.....
150451	20633	" Stand.....
150452	20633	Treadle complete, Nos. 4879, 4882, 126249, 126250, 150451 and two wood screws 1 in. No. 16 F.H.....

KNEE LIFTER PARTS

No.	Plate	Name
37563	-----	Chain, length 15 in. with 56864 and 56865.....
56864	20656	Chain Hook (large).....
56865	20656	" " (small).....
2763	20633	Rock Shaft.....
12242	20633	" " Hanger with two wood screws 1 in. No. 10.....
6335	20633	Rock Shaft Knee Arm.....
6336	-----	Rock Shaft Knee Arm complete, Nos. 2766, 2767 and 6335.....
2766	20633	Rock Shaft Knee Arm Hub with 356C.....
356C	20633	" " " " " Set Screw.....
2767	20633	" " " " " Plate with 356C.....
356C	20633	" " " " " Set Screw.....
6337	20633	" " " " " Lifting Bracket with two 356C Hook.....
7125	20633	" " " " " " " " " " " Set Screw
356C	20633	" " " " " " " " " " " Set Screw....
2770	20633	" " " " " Stop Dog with 140219C.....
140219C	20633	" " " " " " " " " " " Set Screw.....
23767	20633	Rock Shaft complete, Nos. 2763, 2770, 6336, 6337, 7125 and two 12242.....

MACHINE BASE

No.	Plate	Name
131340	20638	Machine Base.....
131019	20638	" " Oil Pipe.....
131020	20638	" " " " Valve.....
54477	20638	" " Screw Stud.....
51576E	20638	" " " " Nut.....
9842	20638	" " " " " Washer.....
131279	20638	" Cushion (felt).....
948E	20638	" Screw, to fasten machine to base
131320	20638	Machine Base complete, Nos. 131019, 131020, 131340, three each 9842, 51576E, 54477 and four each 948E and 131279.....

MACHINE BASE OIL DRAIN JAR

(SWINGING TYPE)

No.	Plate	Name
131185	20639	Jar (glass).....
131191	20639	" Cap.....
131188	20639	" Clamp.....
131217	-----	" " 131188 with 131189.....
131189	20639	" " Lever.....
1247C	20639	" " " Hinge Screw.....
131265	20639	Nipple (long).....
131266	20639	" (short).....
131267	20639	" Elbow.....
131268	20639	Machine Base Oil Drain Jar (swinging type) complete, Nos. 131185, 131191, 131217, 131266 and two each 1247C, 131265 and 131267.....
131327	20639	Machine Base with Oil Drain Jar (swing- ing type) complete, Nos. 131268, 131340, three each 9842, 51576E, 54477 and four each 948E and 131279.....

THREAD UNWINDER

FOR THREE SPOOLS

No.	Plate	Name
225259	20659	Spool Rest (for one spool) with 201018C.
225257	20659	" " (for two spools) with 201018C
150203	20659	" " Cushion (felt).....
225388	20659	" " Rod.....
200383C	20659	" " " Set Screw.....
201018C	20659	" " Set Screw.....
202490	20659	" Stand with 200383C.....
225391	20659	Thread Guide.....
201696J	20659	" " Lock Nut.....
225326	20659	" " Position Cup.....
225324	20659	" " Rod with 208E and 225322...
208E	20659	" " " Screw.....
225322	20659	" " " Washer.....
259143	20659	Thread Unwinder complete, Nos. 201696J, 202490, 225257, 225259, 225324, 225326, 225388, three each 150203, 225391 and wood screws 7/8 in. No. 12.....
27739	20659	Thread Cone (wood) for large cones.....
225390	20659	" " Holder, for inverted cones.....

Note: Nos. 27739 and 225390 are used with, but not included in 259143.

SINGER Needles should be used
in SINGER Machines
These Needles and their Containers
are marked with the
Company's Trade Mark "SIMANCO.**" 1

Needles in Containers marked
"FOR SINGER MACHINES"
are NOT SINGER made needles. 2

NUMERICAL LIST OF PARTS

No.	Plate	Name
144D	20660	Arm Rotary Shaft Screw.....
157J	20665	Feed Dog Screw.....
159F	20660	Arm Rotary Shaft Flanged Bushing Screw..
161D	20625	Presser Bar Lifting Lever Extension Screw.....
175E	20661	Looper Carrier Adjusting Screw for 54027
175E	20661	" " Driver Cap Screw for 54230
176J	20668	Needle Guard Holder Screw.....
176J	20629	Thread (under) Nipper Spring Screw.....
187E	20662	Needle Bar Connecting Stud Clamping Screw for 54328.....
190J	20665	Presser Foot Screw.....
190J	20663	Slack Thread Controller Clamp Screw.....
190J	20629	Thread (under) Eyelet (back) Screw.....
190J	20629	" " Take-up Staple Spring Screw
190J	20663	" (upper) Eyelet Screw.....
207J	20629	" (under) Take-up Stripper Screw...
207J	20663	" (upper) Controller Screw.....
208E	20659	" Unwinder Thread Guide Rod Screw for 225324.....
211F	20662	Thread (upper) Take-up Set Screw for 54328.....
217J	20660	Feed Eccentric Clamping Washer Screw for 54025.....
217F	20668	Needle Guard Screw.....
223F	20668	Presser Foot Guide (left) Set Screw for 46193.....
227E	20661	Looper Driving Shaft and Feed Lifting Eccentric Oil Hole Screw for 54440..
229D	20668	Looper Needle Guard Screw for 54290.....
316F	20663	Tension (upper thread) Releasing Shaft Stop Screw.....
356C	20633	Rock Shaft Knee Arm Hub Set Screw for 2766.....
356C	20633	Rock Shaft Knee Plate Set Screw for 2767
356C	20633	" " Lifting Bracket Hook Set Screw for 6337.....
356C	20633	Rock Shaft Lifting Bracket Set Screw for 6337.....
376J	20663	Thread (upper thread) Bracket Screw.....
422C	20660	Arm Rotary Shaft Bushing (intermediate) Set Screw (long).....
423C	20622	Arm Rock Shaft Bushing (intermediate) Set Screw.....
446C	20622	Arm Rock Shaft Bushing (back) Set Screw.
446C	20661	Looper Carrier Connection Shaft Bushing Set Screw.....

**SINGER Needles should be used
in SINGER Machines
These Needles and their Containers
are marked with the
Company's Trade Mark "SIMANCO.**" 1**

**Needles in Containers marked
"FOR SINGER MACHINES"
are NOT SINGER made needles. 2**

No.	Plate	Name
447C	20662	Presser Bar Guide Bracket Guide Set Screw.....
447C	20662	Presser Bar Lifter Hinge Stud Set Screw.
453C	20622	Arm Rock Shaft Collar Set Screw for 54004.....
453C	20622	Arm Rock Shaft Crank (front) Set Screw for 64255.....
453C	20622	Arm Rock Shaft Flanged Bushing (front) Set Screw.....
453C	20661	Feed Bar Hinge Pin Set Screw for 54019..
453C	20661	" Rocking Frame Hinge Pin Bushing Set Screw for 54026.....
453C	20661	Feed Rocking Frame Hinge Pin Set Screw for 54026.....
453C	20662	Presser Bar Guide Bracket Set Screw for 54039.....
457C	20661	Feed Connecting Rod Hinge Pin Collar Set Screw for 21506.....
460C	20662	Presser Bar Lifting Lever Connecting Pin Set Screw for 61047.....
460C	20629	Thread (under) Take-up Thread Guard Steady Pin Set Screw for 54049.....
462F	20662	Needle Clamp Screw for 46166.....
465C	20660	Thread (under) Nipper Cam Set Screw for 64351.....
465C	20660	Thread (under) Take-up Set Screw for 38475.....
574W	20625	Pressure Regulating Thumb Screw.....
590J	20668	Looper Thread Guard Screw for 54289.....
590J	20629	Thread (under) Take-up Staple Thread Guard Screw for 38478.....
624C	20663	Tension (upper thread) Releasing Shaft Crank Set Screw for 54047.....
640E	20660	Looper Driving Shaft and Feed Lifting Eccentric Screw for 131347.....
640J	20662	Presser Bar Guide Bracket Adjusting Screw for 54039.....
665J	20665	Throat Plate Thread Retainer Screw for 54293 to 54295.....
704J	20661	Looper Holder Screw.....
725J	20664	Cloth Plate Slide (left) Spring Screw for 54013.....
725J	20664	Cloth Plate Slide (right) Spring Screw for 54286.....
735F	20662	Needle Set Screw for 46269.....
742F	20665	Throat Plate Screw.....
761E	20660	Arm Rotary Shaft Bushing (front) Set Screw.....
761E	20661	Looper Driving Shaft and Feed Lifting Eccentric Bracket Bushing Set Screw for 54034.....

No.	Plate	Name
802D	20625	Presser Bar Lifting Lever Hinge Screw...
896E	20660	Crank Connecting Rod Cap (lower) Screw for 54017.....
896E	20660	Feed Connecting Rod Cap Screw for 54111.
948J	20661	Looper Driving Shaft and Feed Lifting Eccentric Bracket Screw for 54283...
948E	20638	Machine Screw, to fasten machine to base, for 131320 and 131327.....
965D	20629	Thread (under) Take-up Staple Bracket Screw.....
1011F	20664	Cloth Plate Screw (left).....
1057E	20660	Crank Connecting Rod Cap (upper) Screw for 54017.....
1057E	20660	Feed Connecting Rod Clamping Screw for 54111.....
1076F	20668	Presser Foot Guide (right) Set Screw for 46193.....
1103C	20660	Feed Regulating Screw for 54025.....
1120C	20661	Looper Set Screw for 54035.....
1133E	20662	Needle Bar Bushing (lower) Set Screw....
1133E	20662	" " " (upper) Set Screw....
1133E	20662	Presser Bar Bushing (lower) Set Screw...
1133E	20662	" " " (upper) Set Screw...
1235E	20664	Cloth Plate Thread Guard Screw.....
1247C	20639	Machine Base Oil Drain Jar Clamp Lever Hinge Screw for 131268.....
1250C	20662	Presser Bar Lifter Stop Screw.....
1258C	20660	Arm Rotary Shaft Collar Set Screw for 54450.....
1449J	20663	Thread (upper) Take-up Plate Spring Screw for 131335.....
1480R	20664	Cord Guide Screw.....
1520J	20662	Needle Bar Connecting Link Hinge Stud Nut.....
1539W	20625	Pressure Regulating Thumb Screw Lock Nut
1547J	20663	Tension (upper thread) Releasing Shaft Stop Screw Nut.....
1602E	20664	Cloth Plate Slide (right) Bushing for 54285.....
1872	20662	Presser Bar Lifter Roller and Stud for 61047.....
1963	20662	Presser Bar Guide Bracket Roller and Stud for 54039.....
2102	20629	Tension (under thread) Disc.....
2102	20663	" (upper thread) Disc.....
2117	20622	Arm Rock Shaft Crank (front) Pin.....
2273	20662	Needle Clamp Pin for 54187.....
2763	20633	Rock Shaft for 23767.....
2766	20633	" " Knee Arm Hub with 356C, for 6336.....

No.	Plate	Name
2767	20633	Rock Shaft Knee Plate with 356C, for 6336.....
2770	20633	Rock Shaft Stop Dog with 140219C, for 23767.....
4822	20656	Wrench for 1547 (Accessories).....
4879	20633	Foot Lifter Chain Connecting Link for 150452.....
4882	20633	Foot Lifter Treadle Shaft for 150452....
6335	20633	Rock Shaft Knee Arm for 6336.....
6336	-----	Rock Shaft Knee Arm complete for 23767, Nos. 2766, 2767 and 6335.....
6337	20633	Rock Shaft Lifting Bracket with two 356C, for 23767.....
6439	-----	Foot Lifter Chain, 36 in. to 45 in. with 56864 and 56865.....
6575	20660	Crank Connecting Rod Oil Pad Stop Pin for 54017.....
7071	20660	Feed Eccentric Clamping Washer for 54025
7125	20633	Rock Shaft Lifting Bracket Hook for 23767.....
8908	20656	Wrench for 1520 (Accessories).....
9842	20638	Machine Base Screw Stud Nut Washer for 131320 and 131327.....
11173	20662	Presser Bar Guide Bracket Guide.....
12242	20633	Rock Shaft Hanger with two wood screws 1 in. No. 10, for 23767.....
15196	20625	Arm Side Cover (back).....
*15404	-----	Trade Mark for 54283.....
15405	-----	" " Rivet for 54283.....
18055	20665	Presser Foot Hinge Pin for 46271 to 46273, 46309, 52638, 52641 and 52644
21506	20661	Feed Connecting Rod Hinge Pin Collar with 457C, for 54077.....
23767	20633	Rock Shaft complete, Nos. 2763, 2770, 6336, 6337, 7125 and two 12242.....
23777	20665	Presser Foot Plate for 46272.....
23778	20666	" " " for 46273.....
23787	20666	Throat Plate Slide for 54295.....
23788	20665	" " " for 54294.....
23859	20665	Presser Foot Plate for 46271.....
25303	20662	" Bar Ball, size 1/4 in. for 64330
27739	20659	Thread Unwinder Thread Cone (wood) for large cones, for 259143.....
27998	20656	Bench Stand Flap Hook and Eye (brass) with wood screw 1/2 in. No. 5, for 79611.....
32572	20663	Tension (upper thread) Releasing Disc...
37563	-----	Knee Lifter Chain, length 15 in. with 56864 and 56865.....
38014	20666	Presser Foot Plate for 46309.....

No.	Plate	Name
38210	20629	Thread (under) Nipper Spring (lower)....
38211	20629	" " " " (upper)....
38284	20629	" " Eyelet (front).....
38393	20668	Looper Thread Guard for 54289.....
38416	20664	Cloth Plate Slide (right) Spring for 54286.....
38419	20664	Cloth Plate Slide (left) Spring for 54013.....
38456	20662	Needle Bar Bushing (lower).....
38456	20662	Presser Bar Bushing (upper).....
38467	20625	" " Spring (flat).....
38468	20625	" " " Stud.....
38475	20660	Thread (under) Take-up with 465C.....
38478	20629	" " " Staple with two each 590J and 38481.....
38481	20629	Thread (under) Take-up Staple Thread Guard for 38478.....
38482	20629	Thread (under) Take-up Stripper.....
38487	20656	Threading Wire (Accessories).....
40326	20661	Looper Driving Shaft and Feed Lifting Eccentric Oil Pad (braided cotton)..
41538	-----	Bench Stand Flush Bolt with Plate complete for 79611, Nos. 126247, 126248 and four brass wood screws 5/8 in. No. 4 F.H.....
42366	20622	Arm Oil Pad (braided cotton) for oiling Arm Rock Shaft Front Bearing.....
46009	20663	Thread (upper) Eyelet.....
46041	20629	Thread (under) Take-up Staple Spring....
46070	20662	Needle Clamp Gib for 54187.....
46075	20665	Throat Plate Thread Retainer for 54293 to 54295.....
46105	20668	Looper Needle Guard Pin for 52661.....
46111	20625	Face Plate Pin.....
46166	20662	Needle Clamp with 462F, for 3/64 in. to 5/64 in. gauges, for 54187.....
46191	20668	Presser Foot Guide (left).....
46192	20668	" " " (right).....
46193	20668	" " " Holder with 223F and 1076F.....
46247	20629	Thread (under) Nipper Spring (upper) Stop.....
46269	20662	Needle Clamp with two 735F, for 3/32 in. to 1/8 in. gauges, for 54345.....
46270	20665	Presser Foot Shank for 46271 to 46273, 46309, 52638, 52641 and 52644.....
46271	20665	Presser Foot (hinged) complete for 3/64 in. to 1/8 in. gauges, for general work, Nos. 18055, 23859 and 46270...

No.	Plate	Name
46272	20665	Presser Foot (hinged) complete for imitation cording and tucking, Nos. 18055, 23777 and 46270.....
46273	20666	Presser Foot (hinged) complete for cording, Nos. 18055, 23778 and 46270
46309	20666	Presser Foot (hinged) complete for gang cording and pin tucking, Nos. 18055, 38014 and 46270.....
49013	20660	Arm Rotary Shaft Front Bearing Oil Pad (braided cotton).....
49013	20661	Looper Carrier Connection Shaft Oil Pad (braided cotton).....
49092	20625	Oil Tube Packing (felt) for 54110.....
50083C	20660	Arm Rock Shaft Crank (back) Set Screw for 131343.....
50084C	20660	Arm Rotary Shaft Bushing (intermediate) Set Screw (short).....
50326C	20629	Tension (under thread) Screw Stud for 59539.....
50326C	20663	Tension (upper thread) Screw Stud for 59539.....
50429C	20661	Feed Dog Stop Screw for 54019.....
50473F	20664	Cloth Plate Screw (right).....
51061C	20660	Feed Eccentric Body Set Screw for 54025.
51224W	20625	Arm Side Cover (back) Thumb Screw.....
51224W	20625	" " " (front) Thumb Screw.....
51224W	20625	Face Plate Thumb Screw.....
51283C	20660	Balance Wheel Set Screw for 54210.....
51570C	20629	Tension (under thread) Regulating Thumb Nut for 59539.....
51570C	20663	Tension (upper thread) Regulating Thumb Nut for 59539.....
51576E	20638	Machine Base Screw Stud Nut for 131320 and 131327.....
52045	20622	Arm Oil Tube Packing (wick) for 56003...
52045	20622	" Rock Shaft Bushing Oil Pad (wick)...
52045	20622	" " " Flanged Bushing (front) Oil Pad (wick).....
52637	20667	Presser Foot Plate for 52638.....
52638	20667	Presser Foot (hinged) complete for 3/64 in. gauge, for air cording and tucking 1/32 in. high, Nos. 18055, 46270 and 52637.....
52639	-----	Throat Plate Slide.....
52640	20667	Presser Foot Plate for 52641.....
52641	20667	Presser Foot (hinged) complete for 3/64 in. and 1/16 in. gauges, for air cording and tucking 3/64 in. high, Nos. 18055, 46270 and 52640.....
52642	-----	Throat Plate Slide.....

No.	Plate	Name
52643	20668	Presser Foot Plate for 52644.....
52644	20668	Presser Foot (hinged) complete for 3/64 in. and 1/16 in. gauges, for air cording and tucking 1/16 in. high, Nos. 18055, 46270 and 52643.....
52645	-----	Throat Plate Slide.....
52661	20668	Looper Needle Guard with 46105, for 54290.....
52664	20665	Throat Plate Body for 54293 to 54295....
52665	20665	" " Slide for 54293.....
53225	20629	Thread (under) Eyelet (back).....
54002	20622	Arm Rock Shaft for 54079.....
54004	20622	" " " Collar with two 453C, for 54079.....
*54006	20660	Arm Rotary Shaft for 131347.....
54007	20660	" " " Bushing (intermediate) for 54089.....
54009	20660	Arm Rotary Shaft Flanged Bushing for 54090.....
54010	20625	Arm Side Cover (front).....
54012	20664	Cloth Plate Slide (left) for 54013.....
54013	20664	Cloth Plate Slide (left) complete for 54287, Nos. 38419, 54012 and two 725J
54017	20660	Crank Connecting Rod with 6575, 54218, 68350 and two each 896E and 1057E, for 131345.....
54019	20661	Feed Bar with 50429C and two 453C, for 54077.....
54020	20661	Feed Bar Connection for 54077.....
54023	20661	" Connecting Rod Hinge Pin for 54077.
54025	20660	Feed Eccentric (adjustable) complete for 54113, Nos. 1103C and two each 217J, 7071 and 51061C.....
54026	20661	Feed Rocking Frame with two 453C, for 54077.....
54027	20661	Looper Carrier with two 175E, for 54447.
*54034	-----	" Driving Shaft and Feed Lifting Eccentric Bracket with 761E, for 54283.....
54035	20661	Looper Holder with 1120C.....
54037	20668	Needle Guard.....
54038	20668	" " Holder.....
54039	20662	Presser Bar Guide Bracket with 453C, 640J and 1963.....
54047	20663	Tension (upper thread) Releasing Shaft Crank with 624C.....
54048	20663	Tension (upper thread) Releasing Shaft Crank Link.....
54049	20629	Thread (under) Take-up Staple Bracket with 460C.....

No.	Plate	Name
54070	20663	Tension (upper thread) Bracket.....
54071	20663	" (upper thread) Releasing Shaft..
54077	-----	Feed Rocking Frame 54026 with 21506, 54019, 54020, 54023 and 57225.....
54079	-----	Arm Rock Shaft 54002 with 54004 and 64255.....
54080	20661	Looper Driving Shaft and Feed Lifting Eccentric Bracket Bushing.....
54089	-----	Arm Rotary Shaft Bushing (Intermediate) 54007 with 64508 and 64805.....
54090	-----	Arm Rotary Shaft Flanged Bushing 54009 with 58039 and 64805.....
54095	20663	Thread (upper) Take-up Plate for 131335.
54104	20664	Cloth Plate Thread Guard.....
54105	20622	Arm Rock Shaft Flanged Bushing (front)..
54108	20625	Oil Tube for 54110.....
54109	20625	" " Bracket for 54110.....
54110	20625	Oil Tube complete for oiling Crank Con- necting Rod (upper bearing) Nos. 49092, 54108 and 54109.....
54111	20660	Feed Connecting Rod with 1057E and two 896E, for 54113.....
54113	-----	Feed Connecting Rod 54111 with 54025,for 131347.....
54186	20662	Needle Bar (hollow) for 54187.....
54187	20662	Needle Bar complete for 3/64 in. to 5/64 in. gauges, Nos. 2273, 46070, 46166 and 54186.....
54210	20660	Balance Wheel, 2 5/8 in. pulley with two 51283C.....
54218	20660	Crank Connecting Rod Oil Pad (braided cotton) for 54017.....
54227	20661	Looper Carrier Connection for 54447.....
54228	20661	" " " Shaft for 54447.....
54229	20661	Looper Carrier Connection Shaft Bushing.
54230	20661	" " Driver with four 175E,for 54447.....
54242	20663	Slack Thread Controller Clamp.....
*54283	-----	Arm, upper and lower (solid) with 948J, 15404, 54034 and two 15406.....
54284	20664	Cloth Plate for 54287.....
54285	20664	" " Slide (right) with 1602E,for 54286.....
54286	20664	Cloth Plate Slide (right) complete for 54287, Nos. 54285, two 38416 and four 725J.....
54287	-----	Cloth Plate complete, Nos. 54013, 54284 and 54286.....
54288	20664	Cord Guide.....

No.	Plate	Name
54289	20668	Looper with 590J and 38393, for 54290...
54290	20668	" 54289 with 229D and 52661.....
54291	20663	Slack Thread Regulator Holder Shaft Hole Plug.....
54292	20665	Throat Plate Stop for 54293 to 54295....
54293	20665	Throat Plate complete for 54352, for 3/64 in. to 1/8 in. gauges, for general work, Nos. 665J,46075,52664, 52665 and 54292.....
54294	20666	Throat Plate complete for 54352, for 3/64 in. to 1/8 in. gauges, for imitation cording and tucking, Nos. 665J, 23788, 46075, 52664 and 54292.
54295	20666	Throat Plate complete for 54352, for 3/64 in. to 1/8 in. gauges, for cording, Nos. 665J,23787,46075,52664 and 54292.....
54326	20662	Needle Bar Connecting Link for 54329....
54327	20662	" " " Hinge Stud for 54329.....
54328	20662	Needle Bar Connecting Stud with 211F and two 187E, for 54329.....
54329	20662	Needle Bar Connecting Link 54326 with 54327 and 54328.....
54330	20663	Thread (upper) Controller.....
54345	20662	Needle Bar complete for 3/32 in. to 1/8 in. gauges, Nos. 46269 and 64319....
54352	20665	Feed Dog, 18 teeth (16 teeth to the inch) for 3/64 in. to 1/8 in.gauges, for 54293 to 54295.....
54367	20660	Arm Rotary Shaft Bushing (front).....
54381	20663	Slack Thread Controller.....
*54440	20661	Looper Driving Shaft and Feed Lifting Eccentric with 227E and two 64315, for 54447.....
*54447	-----	Looper Driving Shaft and Feed Lifting Eccentric 54440 with 54027, 54227, 54228 and 54230, for 131347.....
54450	20660	Arm Rotary Shaft Collar with two 1258C, for 131347.....
54477	20638	Machine Base Screw Stud for 131320 and 131327.....
54988	20663	Tension (upper thread) Releasing Pin....
56003	20622	Arm Oil Tube with 52045, for oiling Needle Bar Connecting Link.....
56006	20622	Arm Oil Pad (braided cotton) for oiling Arm Rock Shaft Intermediate Bearing.
56864	20656	Chain Hook (large) for 6439 and 37563...
56865	20656	" " (small) for 6439 and 37563...
57225	20661	Feed Bar Hinge Pin for 54077.....

No.	Plate	Name
57234	20661	Feed Rocking Frame Hinge Pin.....
57235	20661	" " " " " Bushing....
57257	20662	Presser Bar Lifter.....
57258	20662	" " " Hinge Stud.....
58039	20660	Arm Rotary Shaft Flanged Bushing Oil Pad, long (braided cotton) for 54090
59537	20629	Tension (under thread) Spring Bushing (large).....
59537	20663	Tension (upper thread) Spring Bushing (large).....
59538	20629	Tension (under thread) Spring Bushing (small).....
59538	20663	Tension (upper thread) Spring Bushing (small).....
59539	-----	Tension (under thread) Screw Stud 50326C with 51570C.....
59539	-----	Tension (upper thread) Screw Stud 50326C with 51570C.....
60656	20656	Bench Stand Hinge for 79611.....
61047	20662	Presser Bar Lifting Bracket with 460C and 1872.....
61075	20625	Presser Bar Lifting Lever Connecting Pin
64255	20622	Arm Rock Shaft Crank (front) with 453C, for 54079.....
64269	20625	Face Plate.....
64315	-----	Looper Driving Shaft and Feed Lifting Eccentric Oil Hole Plug for 54440...
64319	20662	Needle Bar (hollow) for 54345.....
64320	20662	" " Bushing (upper).....
64330	20662	Presser Bar with 25303.....
64331	20662	" " Bushing (lower).....
64351	20660	Thread (under) Nipper Cam with 465C, for 131347.....
64355	20660	Thread (under) Take-up Thread Guard (brass) for 131347.....
64356	20629	Thread (under) Take-up Thread Guard Steady Pin.....
64386	20622	Arm Rock Shaft Bushing (back).....
64388	20622	" " " " (intermediate)...
64508	20660	" Rotary Shaft Bushing (intermediate) Oil Pad, long (braided cotton) for 54089.....
64805	20660	Arm Rotary Shaft Bushing (intermediate) Oil Pad, short (braided cotton) for 54089.....
64805	20660	Arm Rotary Shaft Flanged Bushing Oil Pad, short (braided cotton) for 54090.....
68164	20663	Thread (upper) Take-up Plate Spring for 131335.....

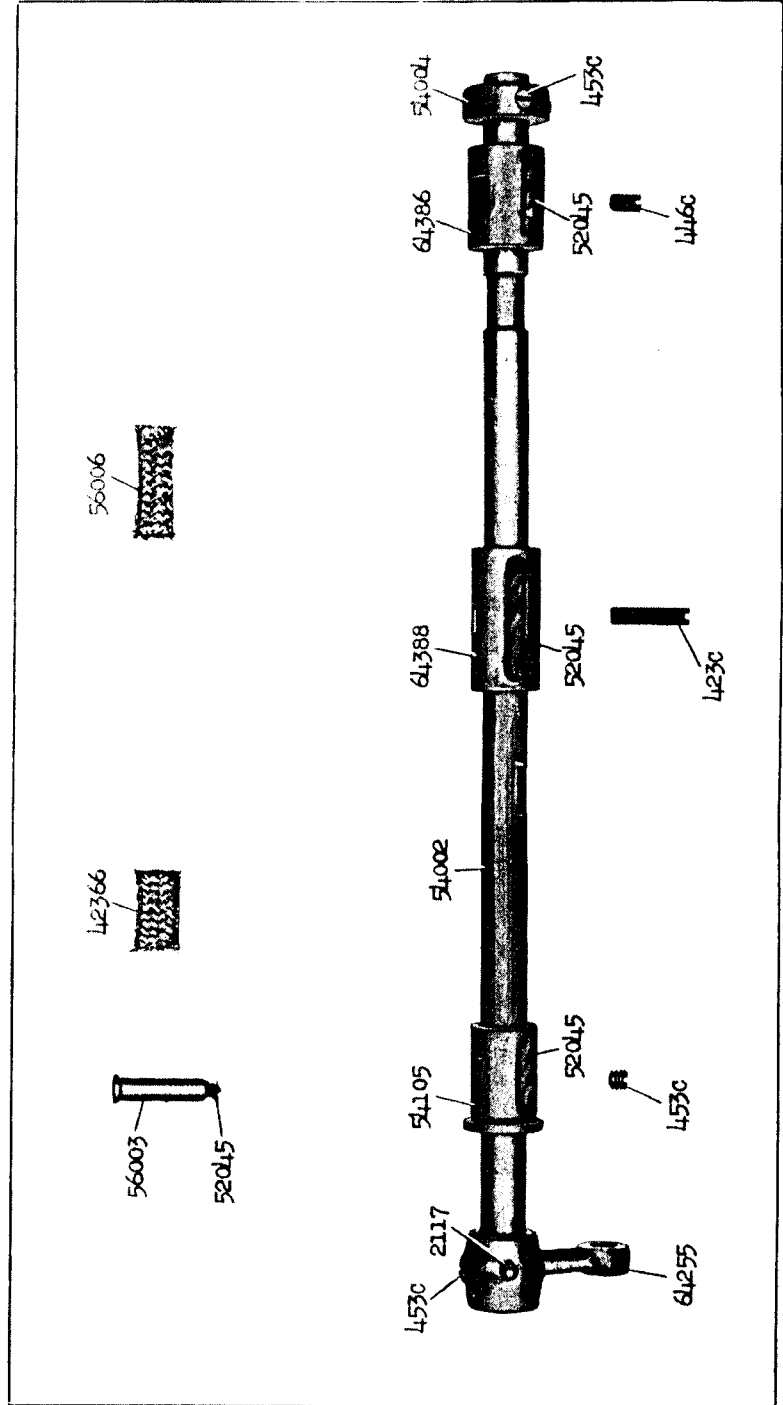
No.	Plate	Name
68184	20625	Presser Bar Lifting Lever Extension....
68208	20625	" " " Lever.....
68222	20633	Belt Guard with two wood screws 1 in. No. 12.....
68261	20663	Tension (upper thread) Releasing Shaft Spring.....
68350	20660	Crank Connecting Rod Oil Cup for 54017..
79611	-----	Bench Stand with 27998, two each 41538, 126849, three wood screws 1 1/4 in. No. 12, four each 60656, wood screws 1 1/4 in. No. 10, eight wood screws 5/8 in. No. 6 and sixteen wood screws 5/8 in. No. 7.....
120341	20656	Tweezers (curved) Accessories.....
120344	20656	Oiler (copper plated) with 120345 (Ac- cessories).....
120345	20656	Oiler Spout, 4 1/2 in. long, for 120344.
120440	20656	Screw Driver (large) Accessories.....
121108	20656	" " (small) Accessories.....
126247	20656	Bench Stand Flush Bolt for 41538.....
126248	20656	" " " " Plate for 41538..
126249	20633	Foot Lifter Treadle for 150452.....
126250	20633	" " " Spring for 150452...
126849	20656	Bench Stand Flap Hinge with four wood screws 3/4 in. No. 7, for 79611.....
131019	20638	Machine Base Oil Pipe for 131320.....
131020	20638	" " " " Valve for 131320..
131185	20639	" " " Drain Jar (glass) for 131268.....
131188	20639	Machine Base Oil Drain Jar Clamp for 131217.....
131189	20639	Machine Base Oil Drain Jar Clamp Lever for 131217.....
131191	20639	Machine Base Oil Drain Jar Cap for 131268.....
131217	-----	Machine Base Oil Drain Jar Clamp 131188 with 131189, for 131268.....
131265	20639	Machine Base Oil Drain Jar Nipple (long) for 131268.....
131266	20639	Machine Base Oil Drain Jar Nipple (short) for 131268.....
131267	20639	Machine Base Oil Drain Jar Nipple Elbow for 131268.....
131268	20639	Machine Base Oil Drain Jar (swinging type) complete for 131327, Nos. 131185, 131191, 131217, 131266 and two each 1247C, 131265 and 131267.....
131279	20638	Machine Cushion (felt) for 131320 and 131327.....

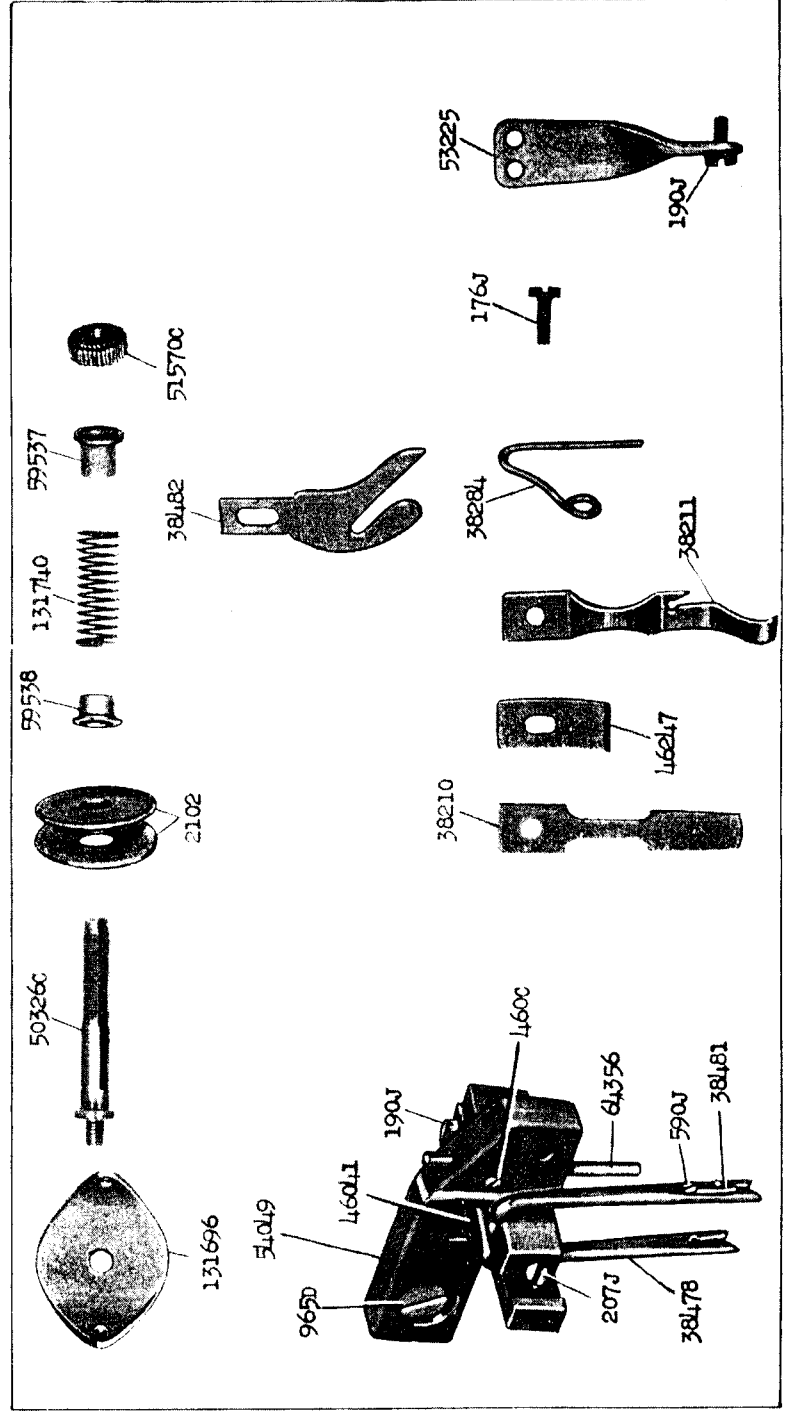
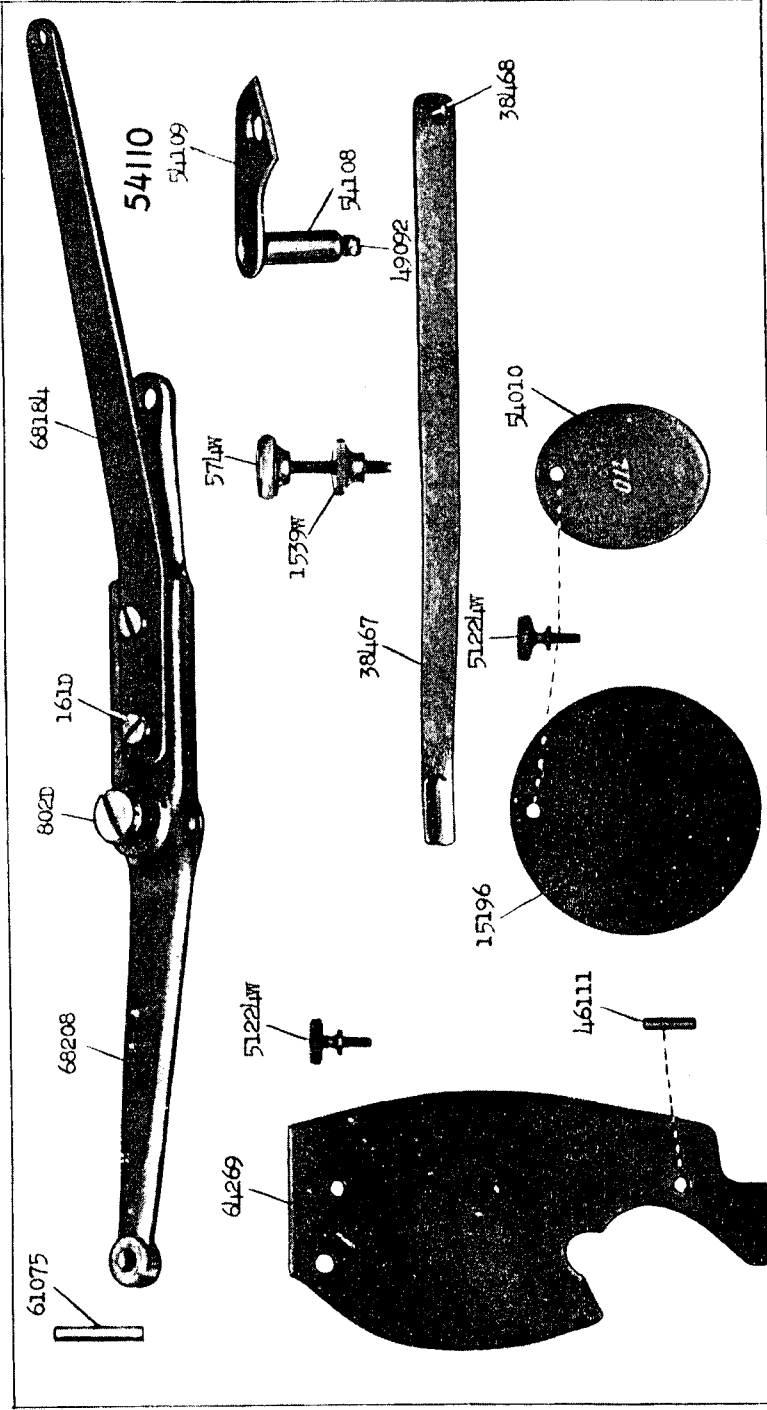
No.	Plate	Name
131320	20638	Machine Base complete, Nos. 131019, 131020, 131340, three each 9842, 51576E, 54477 and four each 948E and 131279.....
131327	20639	Machine Base with Oil Drain Jar (swinging type) complete, Nos. 131268, 131340, three each 9842, 51576E, 54477 and four each 948E and 131279.....
131334	20663	Thread (upper) Take-up for 131335.....
131335	20663	Thread (upper) Take-up complete, Nos. 1449J, 54095, 68164 and 131334.....
131340	20638	Machine Base for 131320 and 131327.....
131343	20660	Arm Rock Shaft Crank, back (ball bearing, solid) with two 50083C, for 131345..
131345	-----	Crank Connecting Rod 54017 with 131343, for 131347.....
131347	-----	Arm Rotary Shaft 54006 with 640E, 54113, 54447, 54450, 64351, 64355 and 131345..
131696	20629	Tension (under thread) Thread Guide.....
131696	20663	" (upper thread) Thread Guide (double).....
131740	20629	Tension (under thread) Spring.....
131741	20663	" (upper thread) Spring.....
140219C	20633	Rock Shaft Stop Dog Set Screw for 2770..
150203	20659	Thread Unwinder Spool Rest Cushion (felt) for 259143.....
150451	20633	Foot Lifter Treadle Stand for 150452....
150452	20633	Foot Lifter Treadle complete, Nos. 4879, 4882, 126249, 126250, 150451 and two wood screws 1 in. No. 16 F.H.....
200383C	20659	Thread Unwinder Spool Rest Rod Set Screw for 202490.....
201018C	20659	Thread Unwinder Spool Rest Set Screw for 225257 and 225259.....
201696J	20659	Thread Unwinder Thread Guide Lock Nut for 259143.....
202490	20659	Thread Unwinder Spool Stand with 200383C, for 259143.....
225257	20659	Thread Unwinder Spool Rest (for two spools) with 201018C, for 259143....
225259	20659	Thread Unwinder Spool Rest (for one spool) with 201018C, for 259143.....
225322	20659	Thread Unwinder Thread Guide Rod Washer for 225324.....
225324	20659	Thread Unwinder Thread Guide Rod with 208E and 225322, for 259143.....
225326	20659	Thread Unwinder Thread Guide Position Cup for 259143.....
225388	20659	Thread Unwinder Spool Rest Rod for 259143.....

No.	Plate	Name
225390	20659	Thread Unwinder Thread Cone Holder for inverted cones, for 259143.....
225391	20659	Thread Unwinder Thread Guide for 259143.
259143	20659	Thread Unwinder complete (for three spools) Nos. 201696J, 202490, 225257, 225259, 225324, 225326, 225388, three each 150203, 225391 and wood screws 7/8 in. No. 12.....

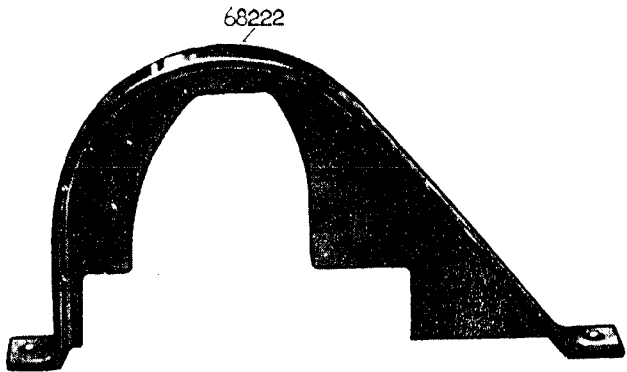
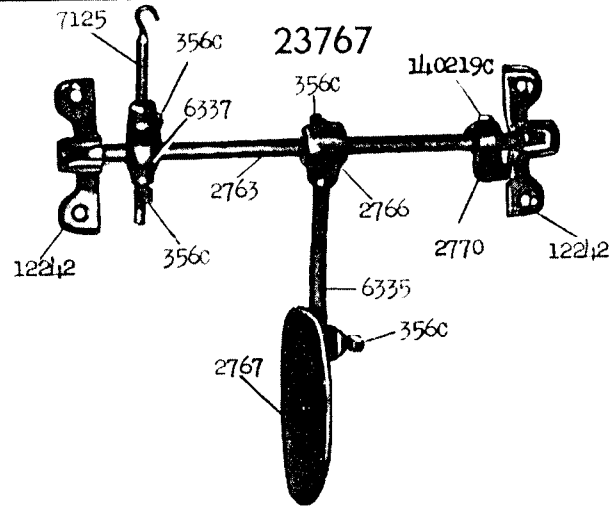
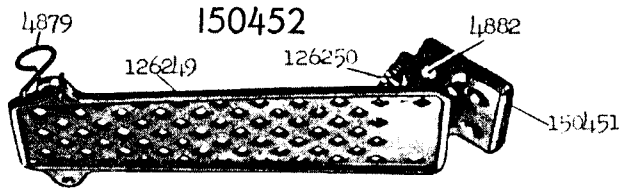
SINGER Needles should be used
in SINGER Machines
These Needles and their Containers
are marked with the
Company's Trade Mark "SIMANCO.**" 1

Needles in Containers marked
"FOR SINGER MACHINES"
are NOT SINGER made needles. 2



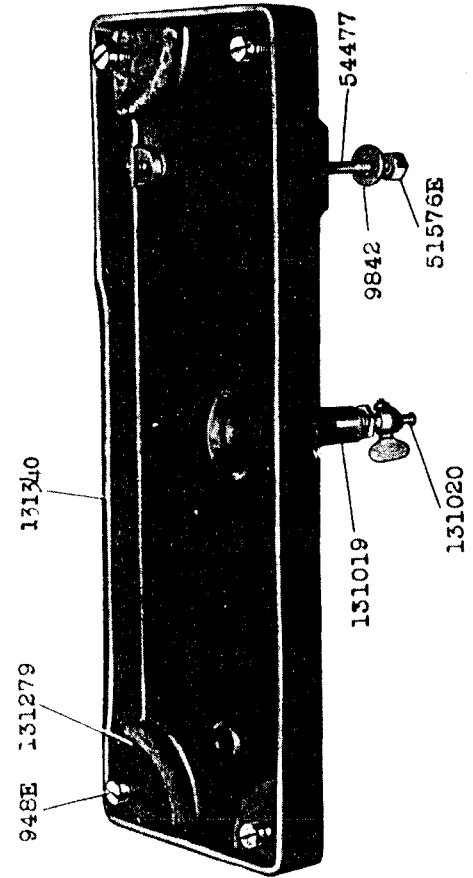


20633 - 1/4

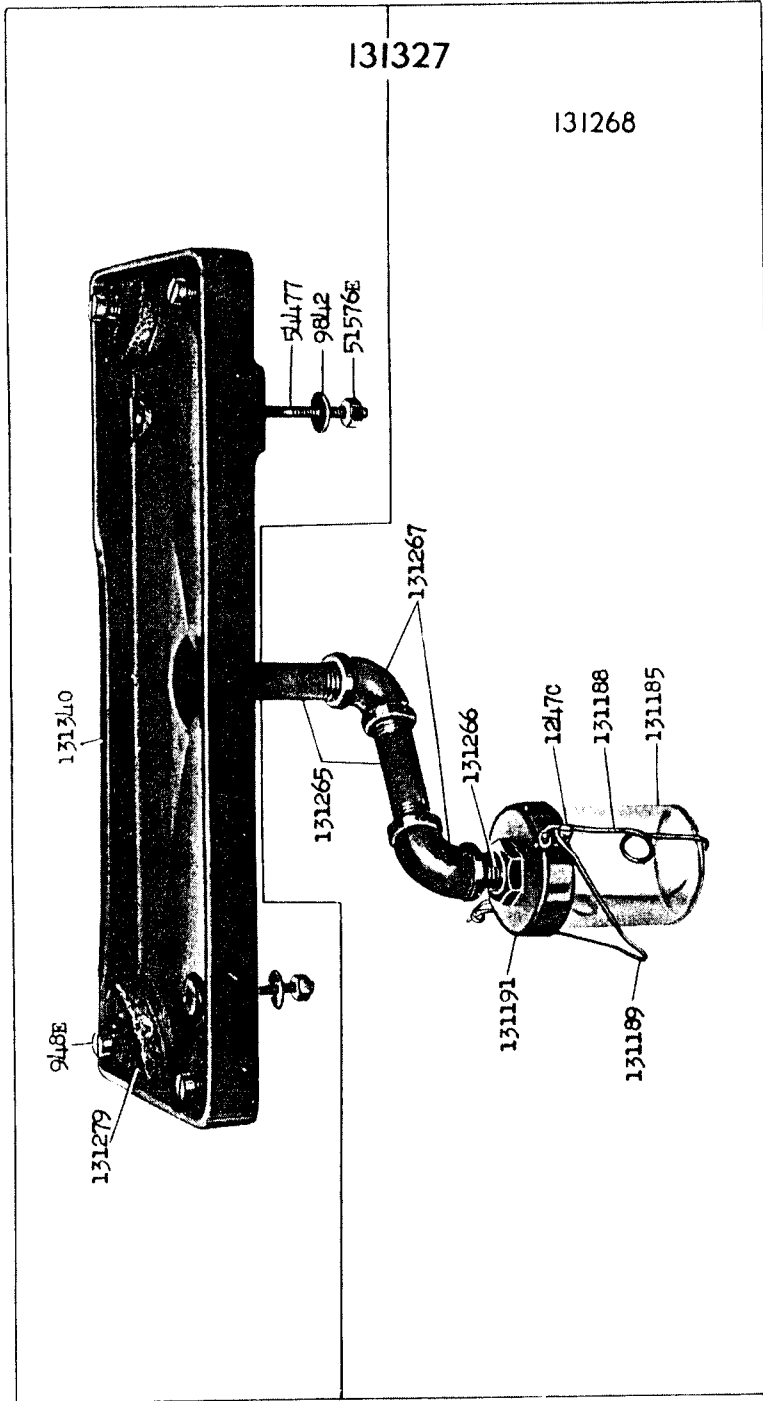


20638 - 1/4

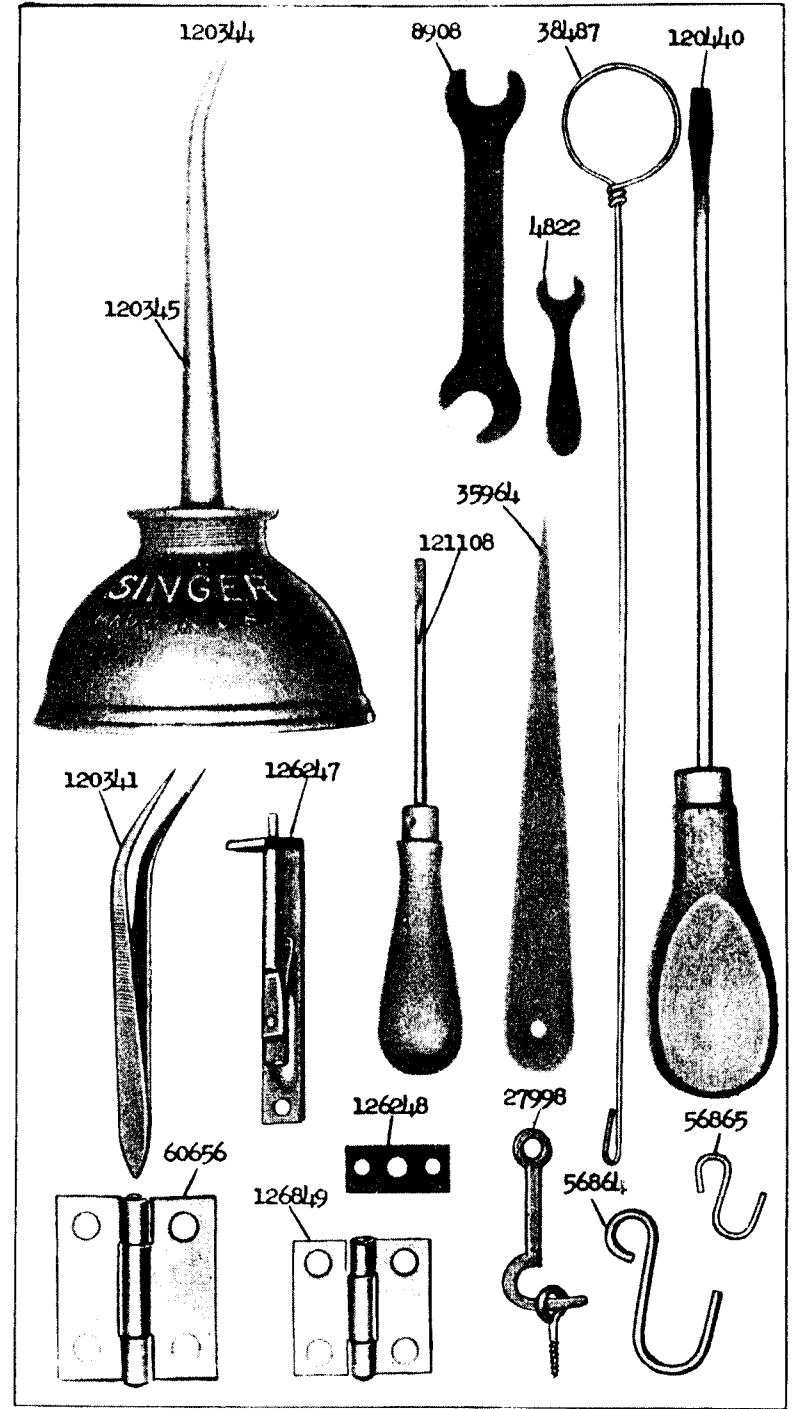
131320



20639 - 1/4

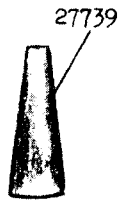
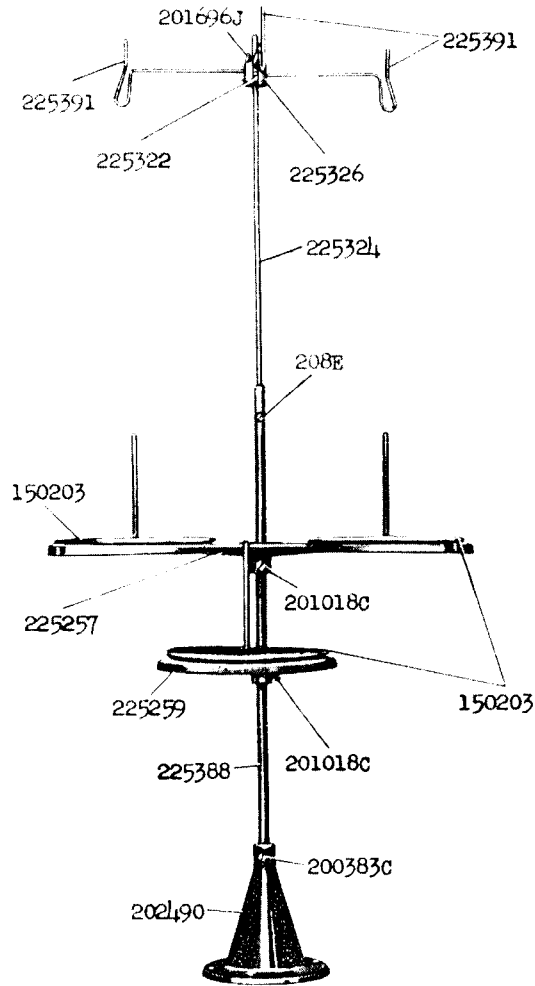


20656 - 1/2

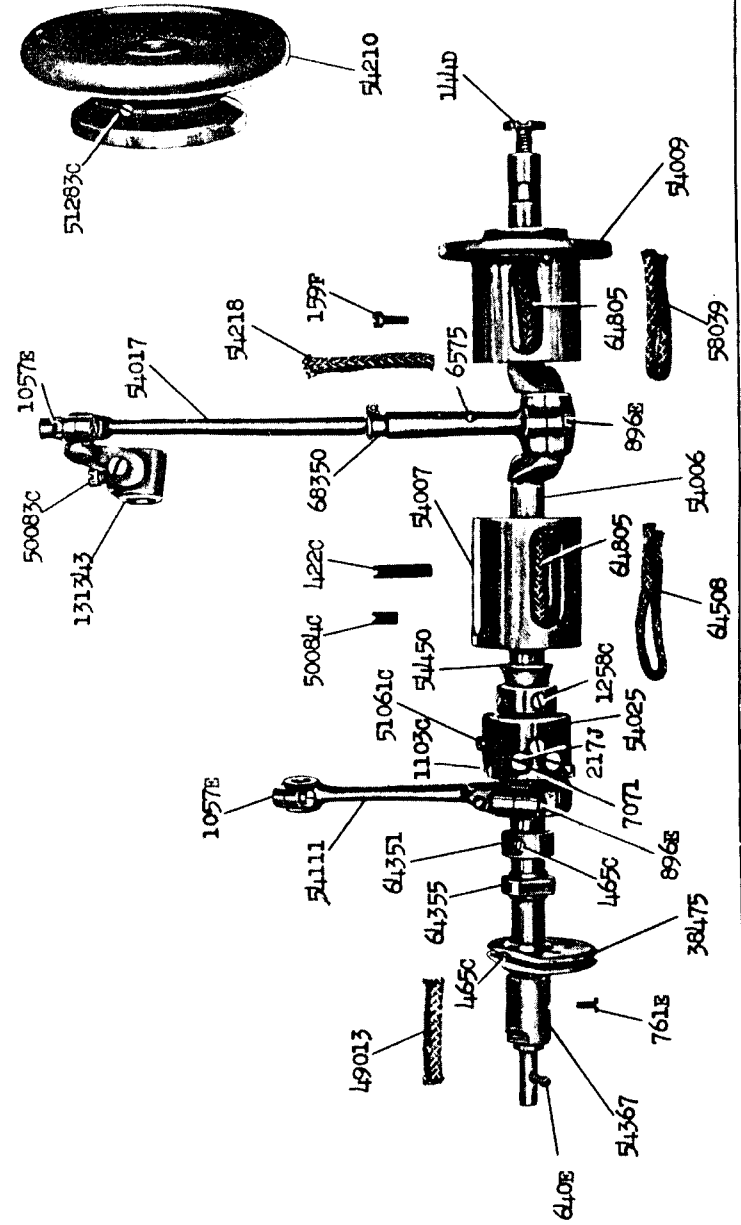


20659 - 1/4

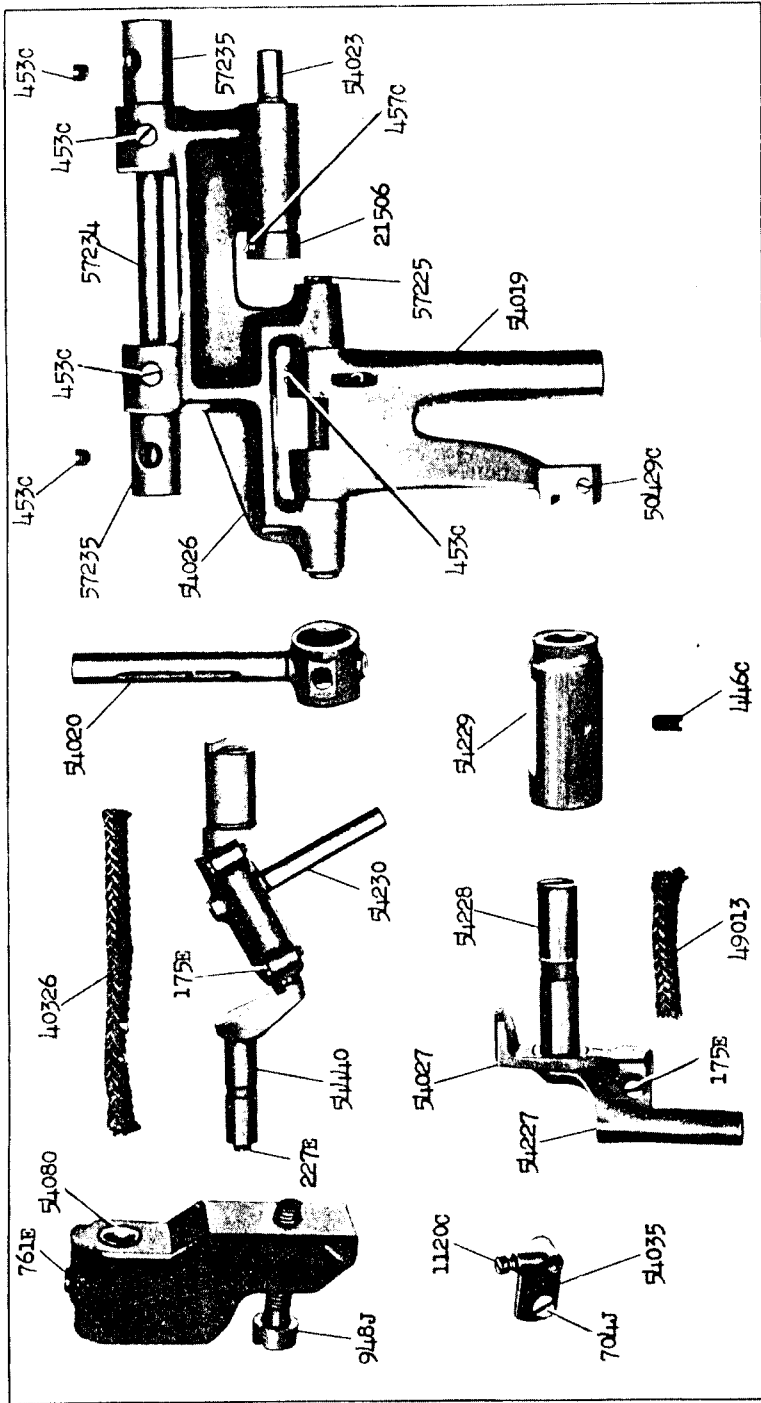
259143



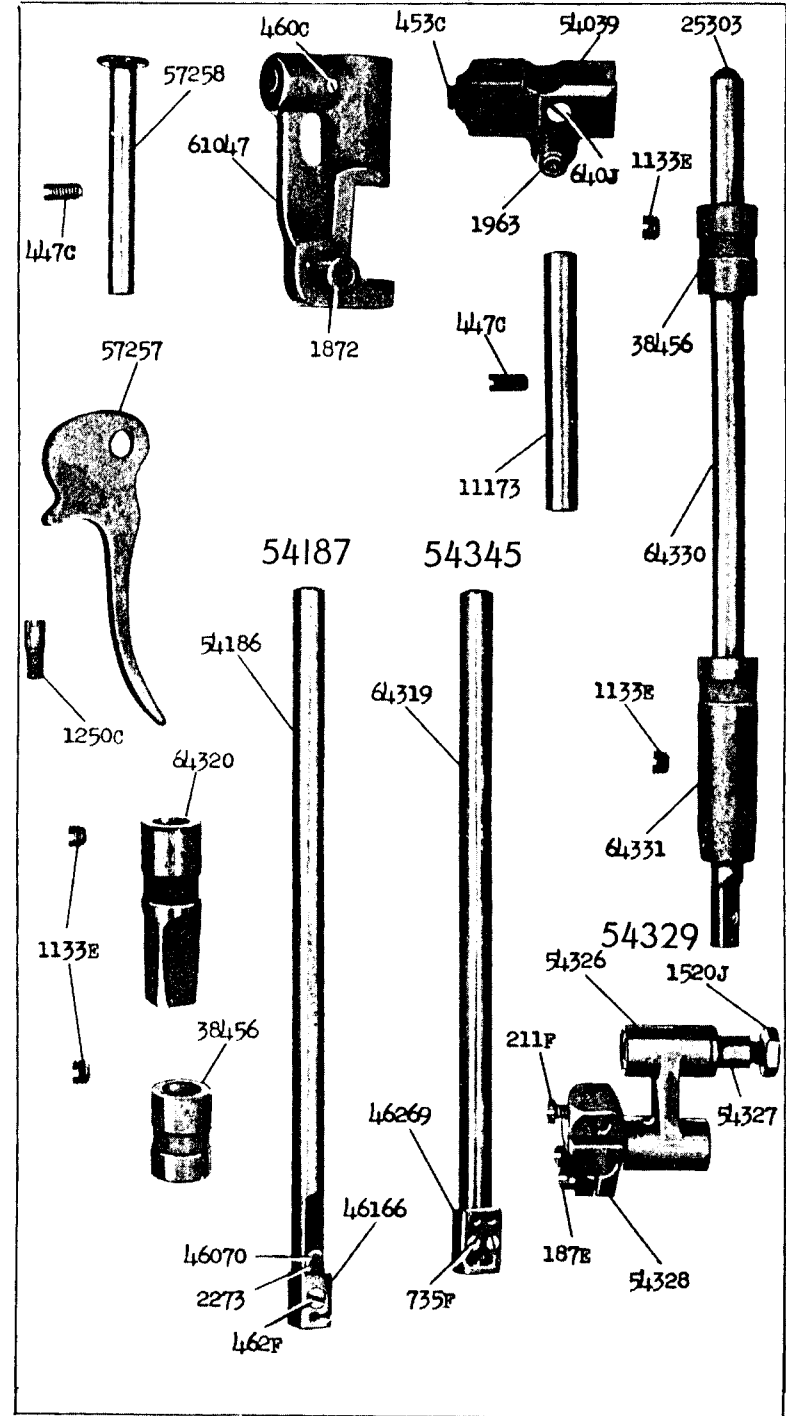
20660 - 1/3

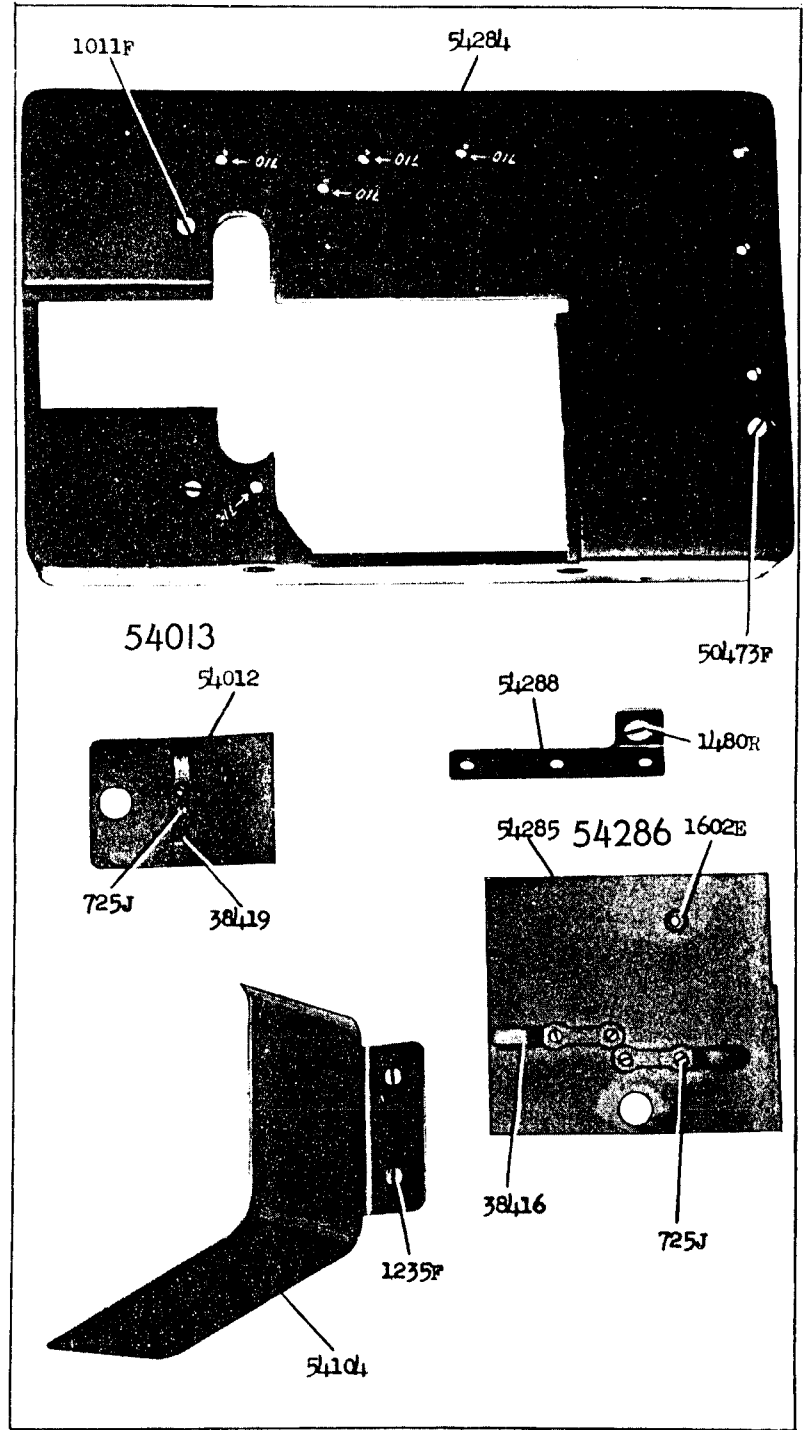
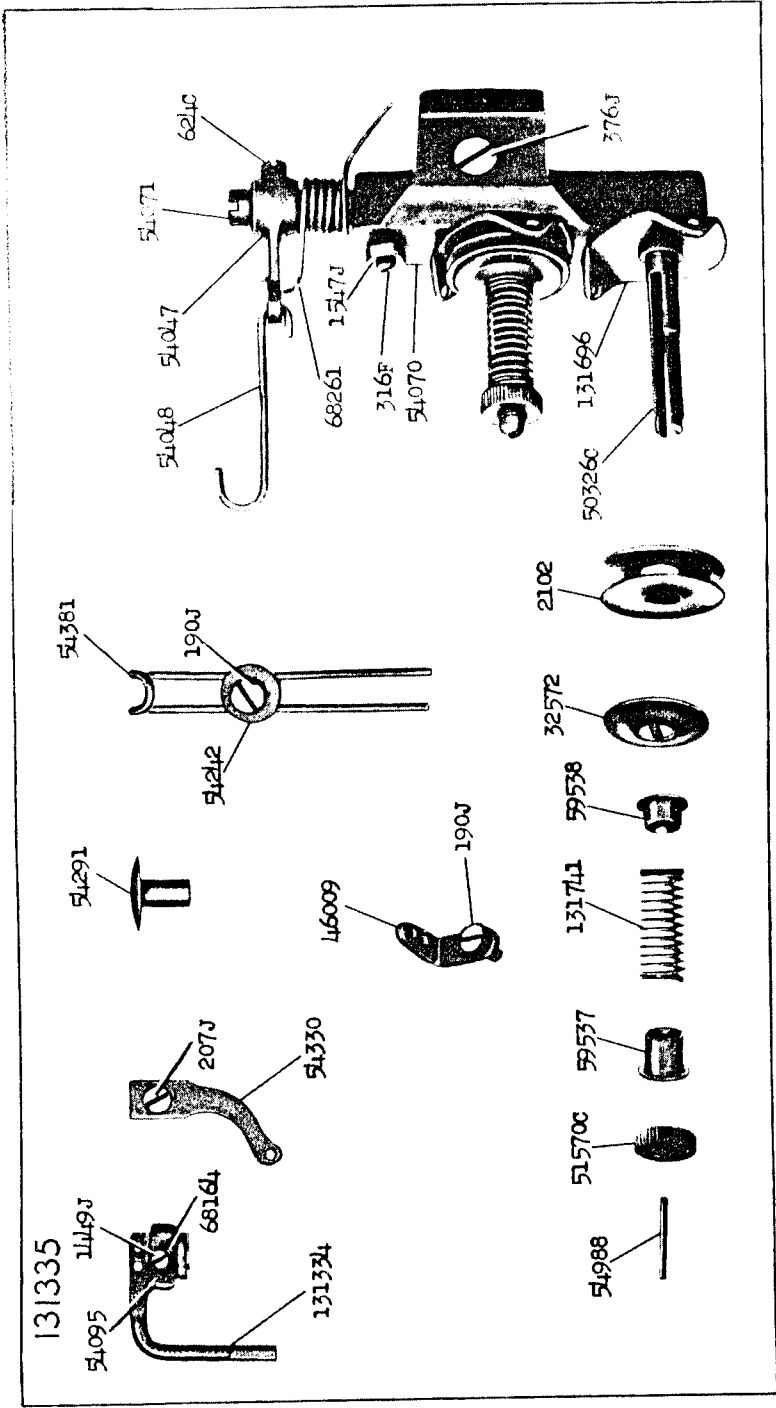


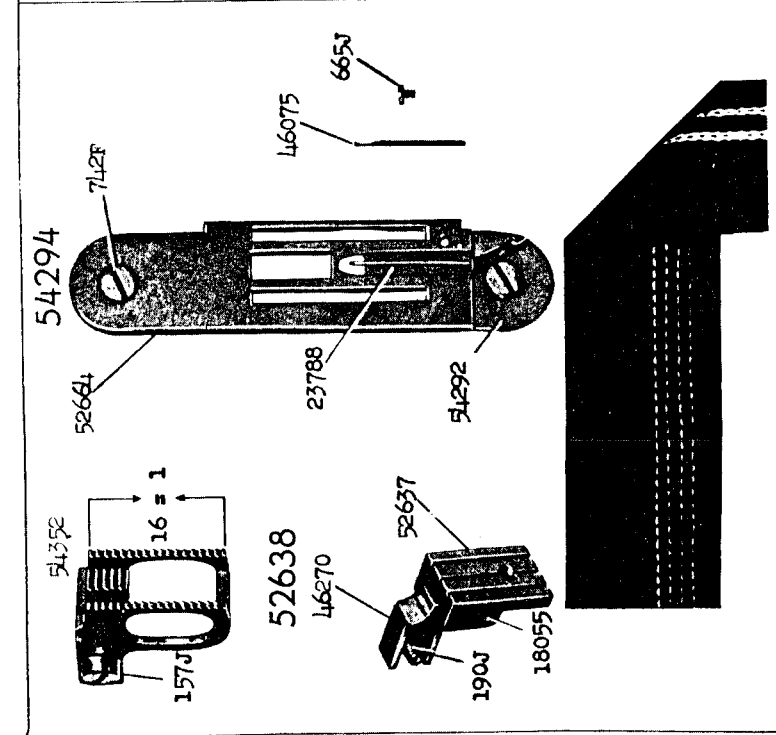
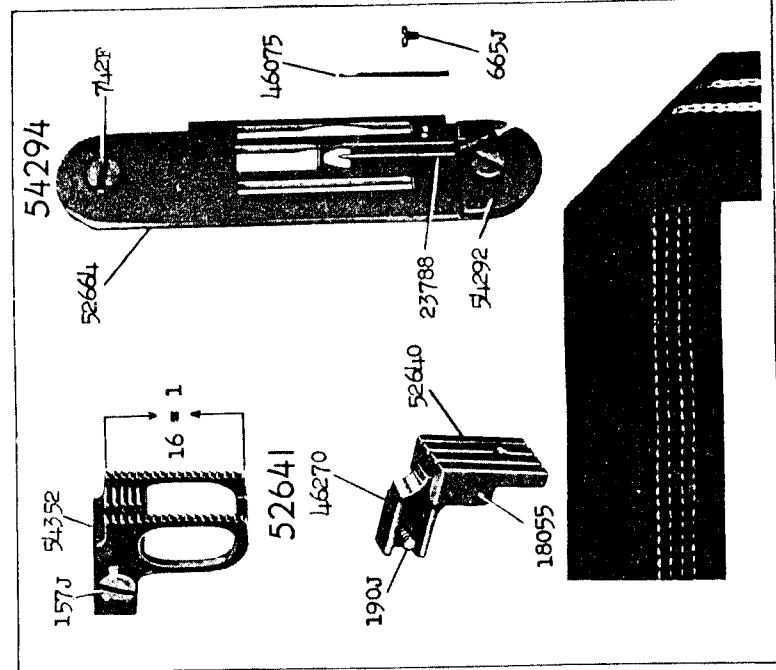
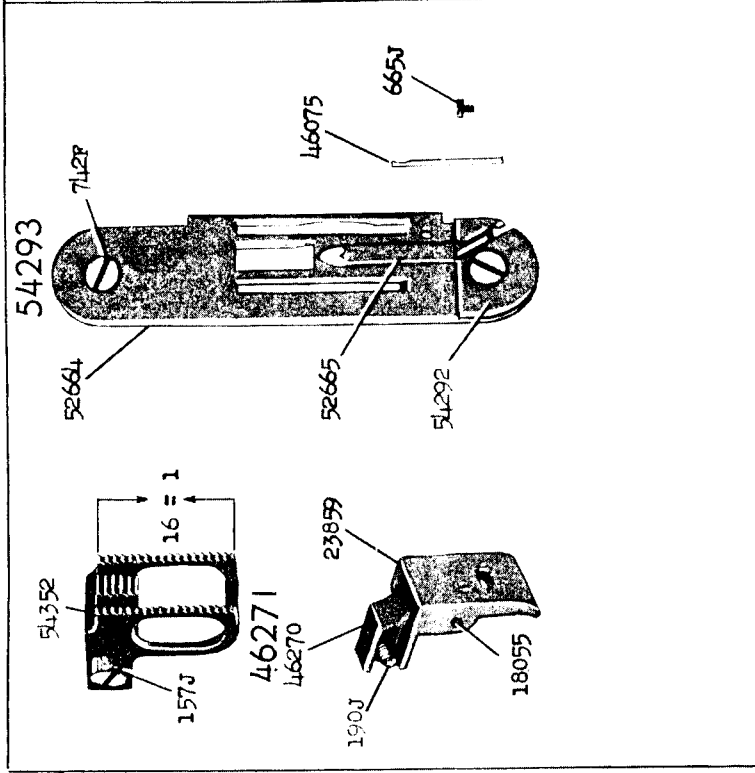
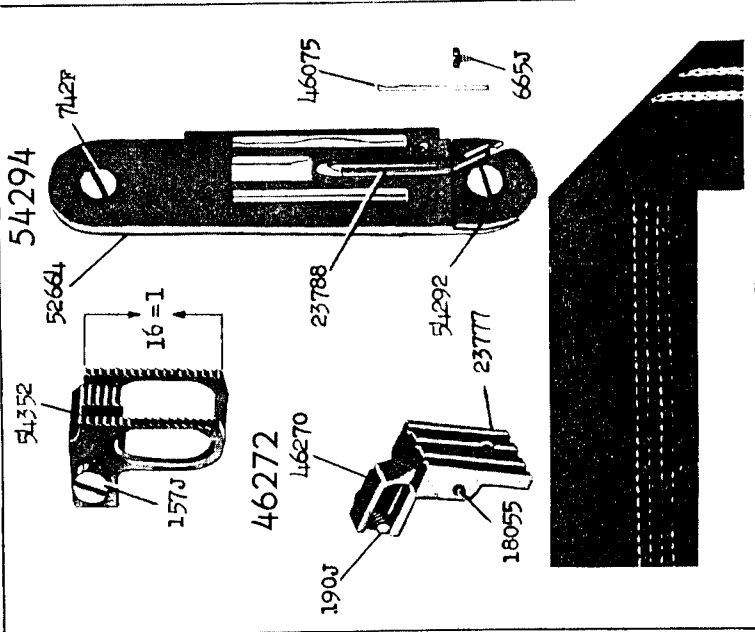
20661 - 1/2



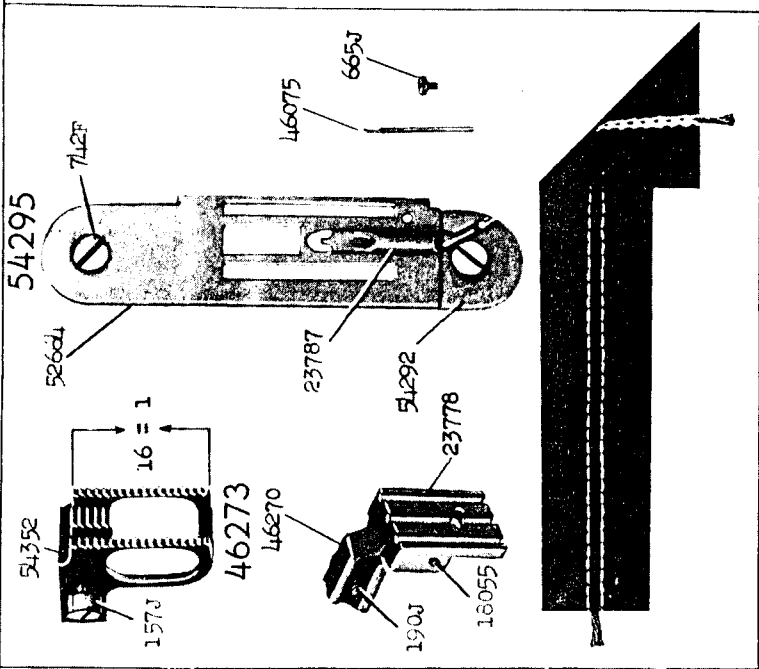
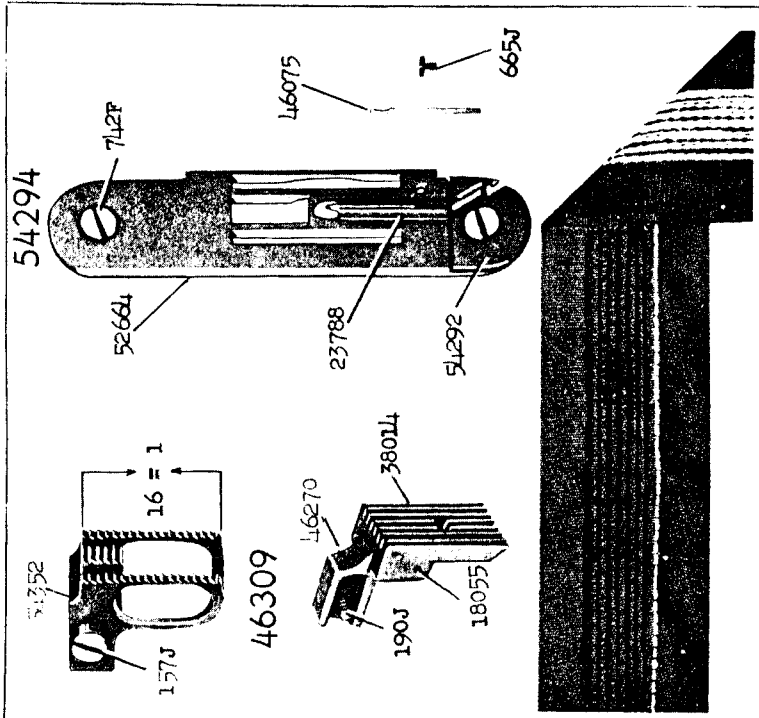
20662 - 2/3







20666 - 2/3



20668 - 1/2

