

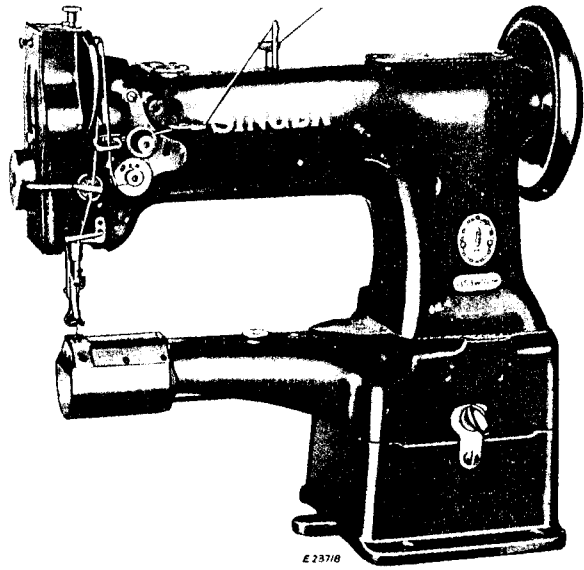
SINGER
153W103

Form 2748w
(Rev. 1153)
Printed in U.S.A.

SINGER*
153W103

THE SINGER COMPANY

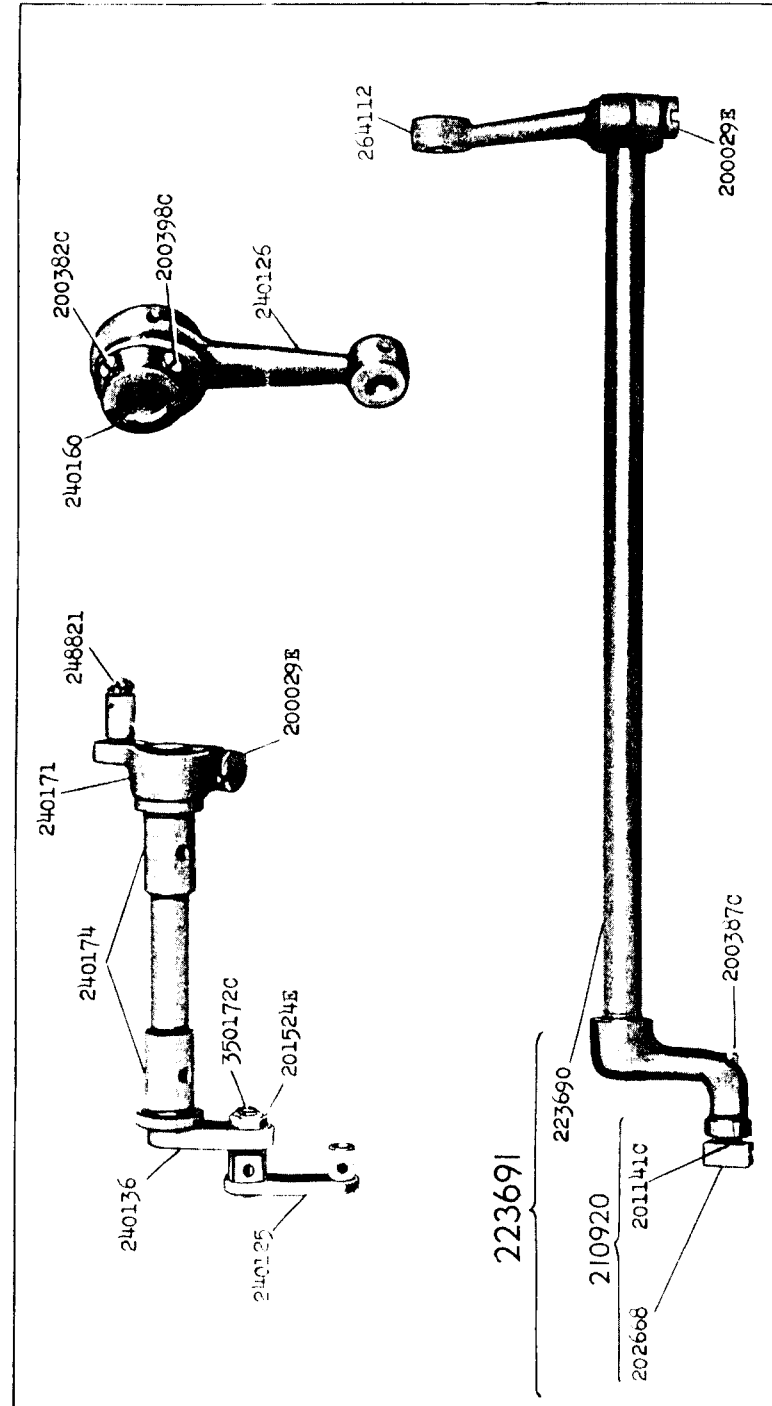
*A Trade Mark of THE SINGER COMPANY



E 23718

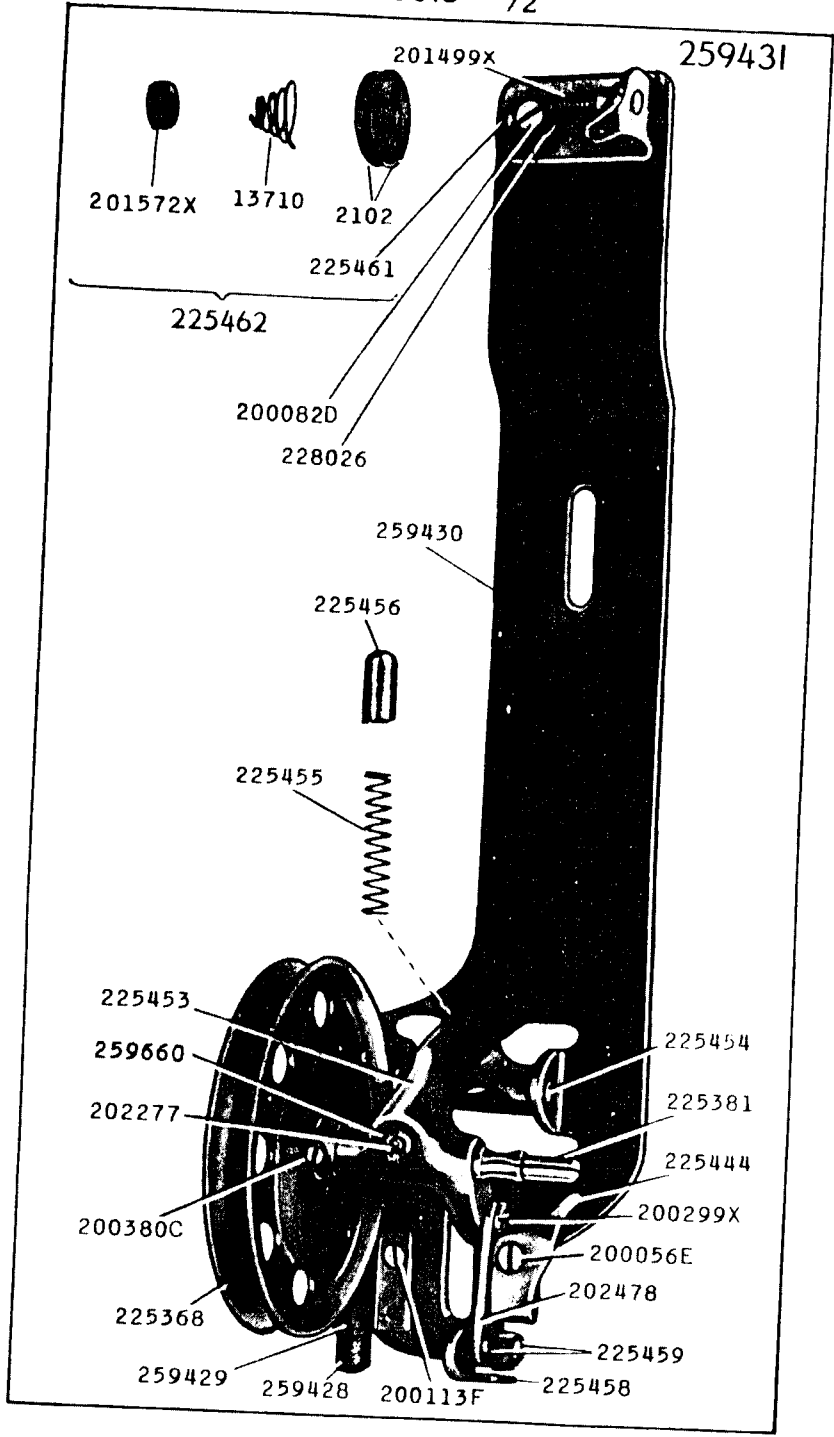
Copyright, U. S. A., 1940, 1941, 1942 and 1954.
 by The Singer Company
 All Rights Reserved for All Countries

16058 - 1/2

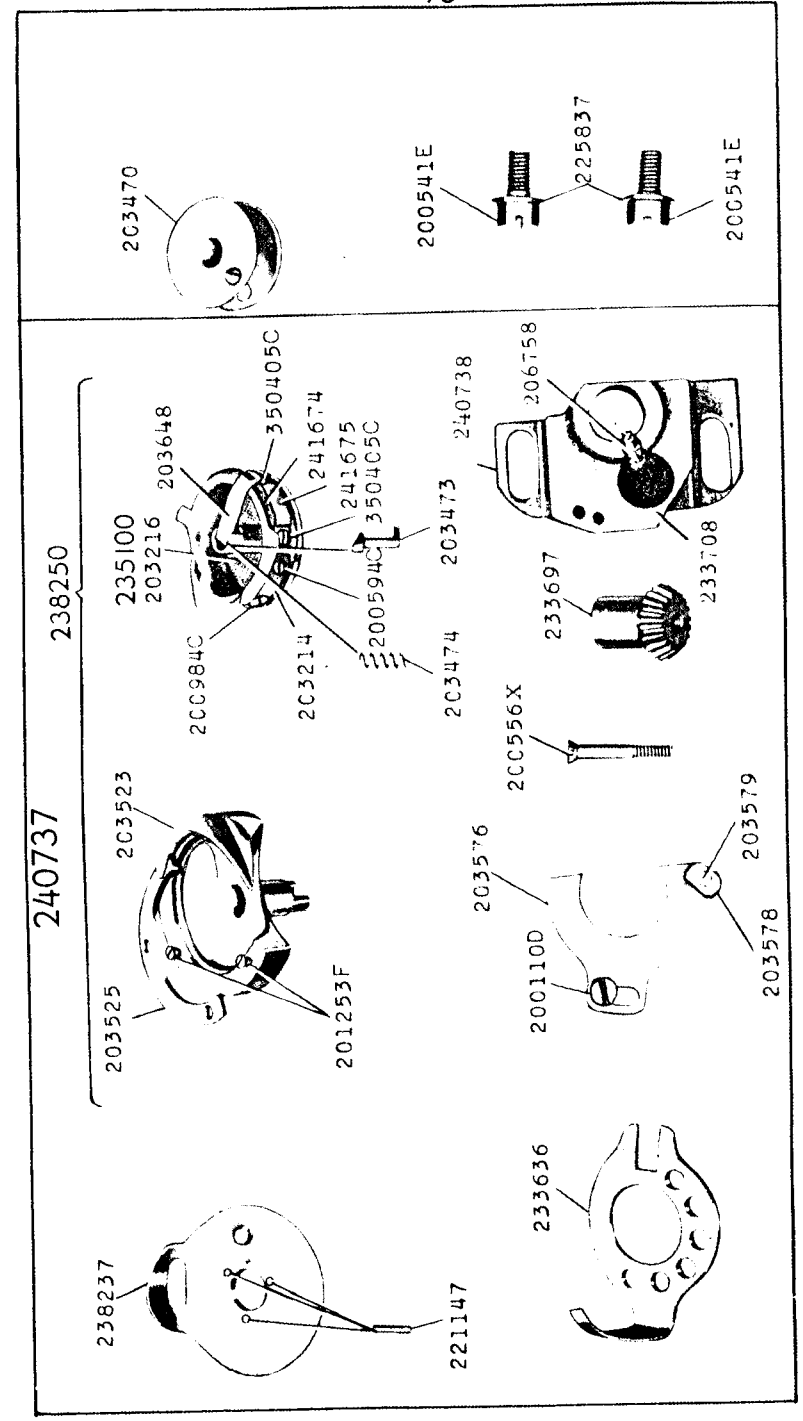


16615 - 1/2

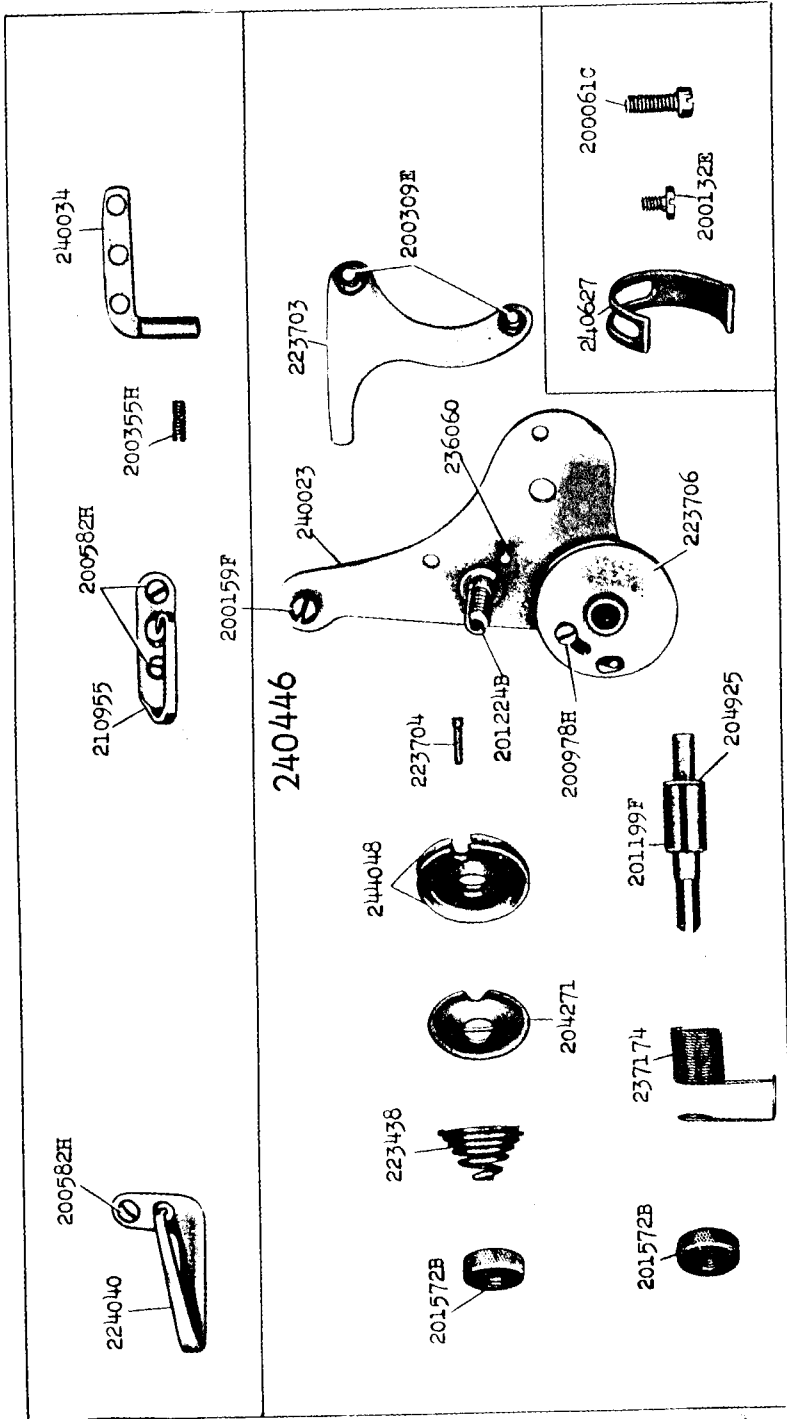
259431



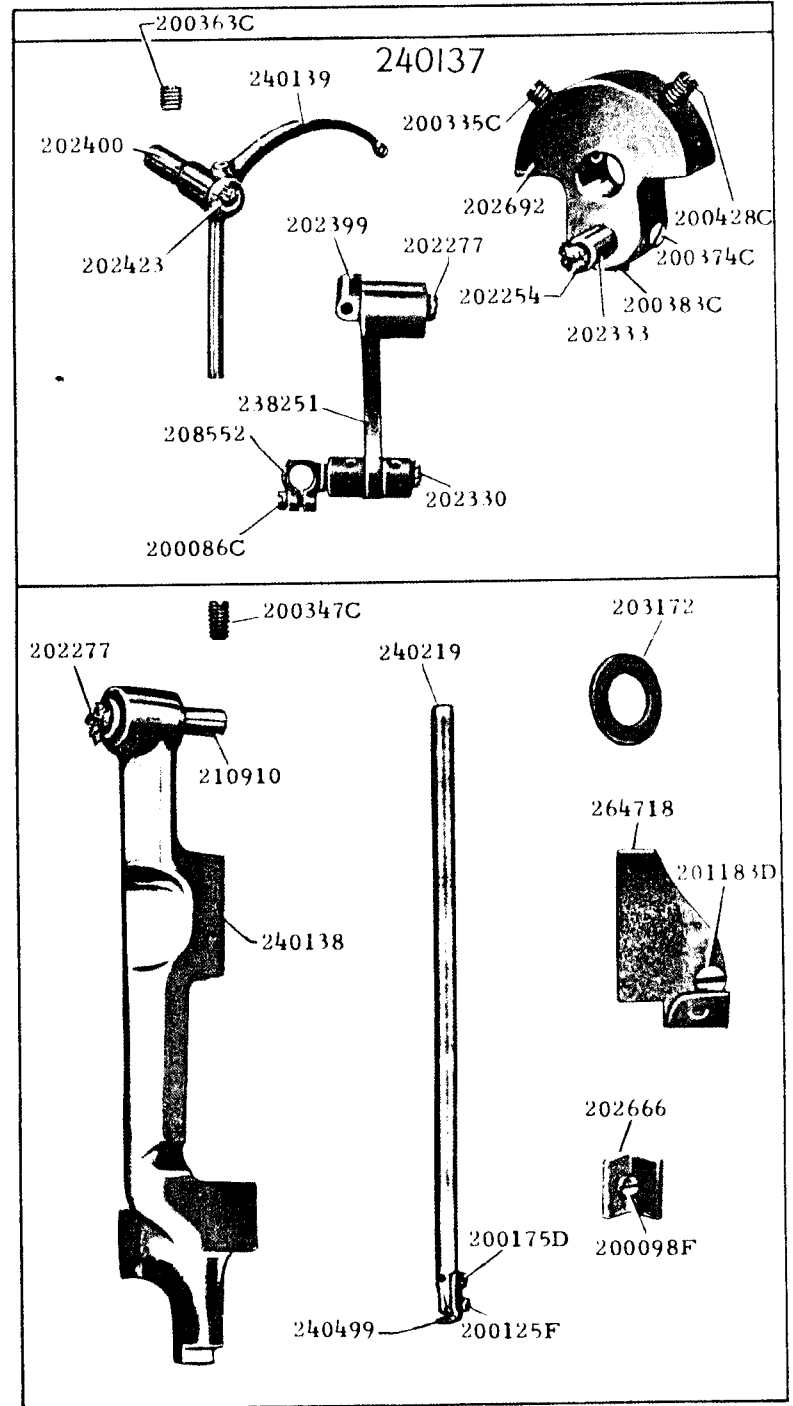
16916 - 2/3



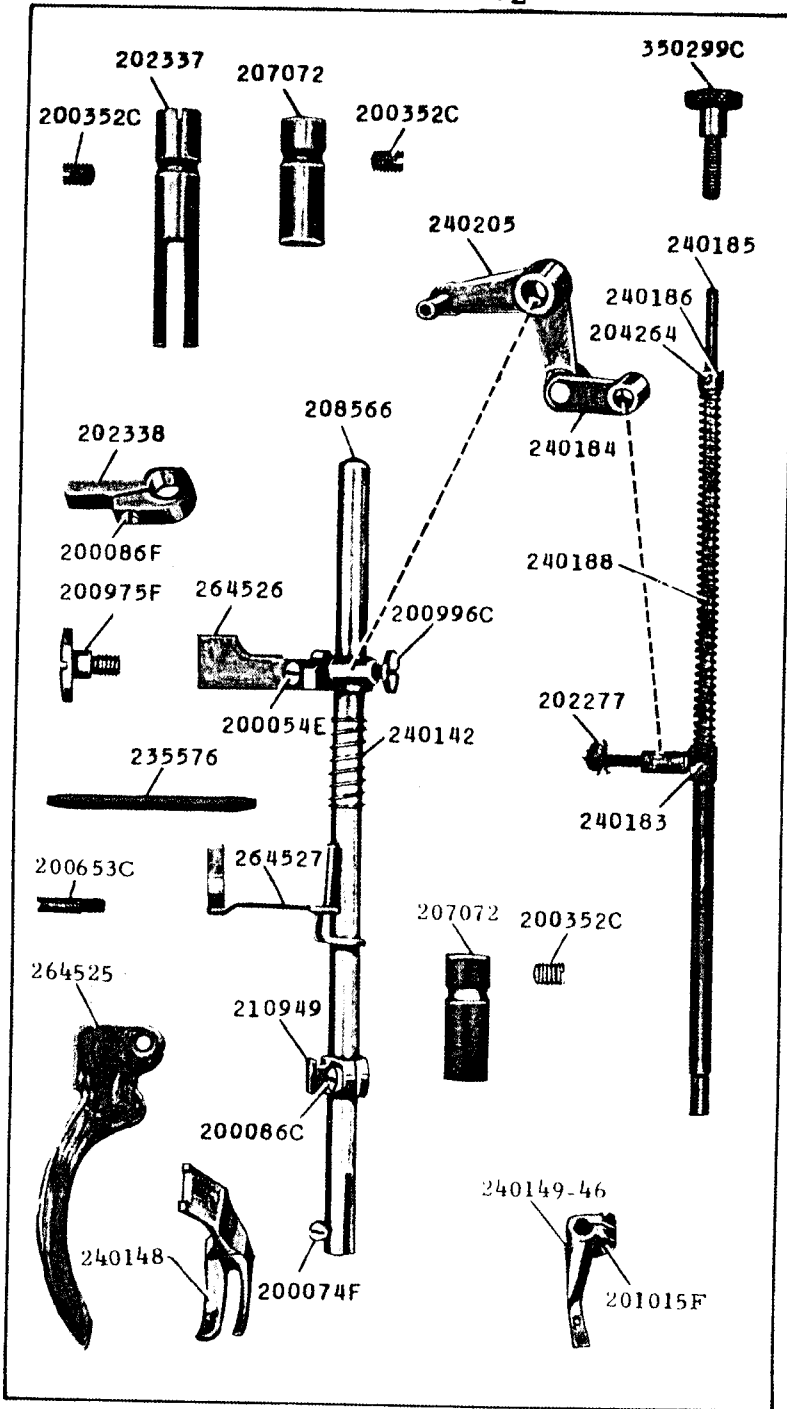
16927 - 2/3



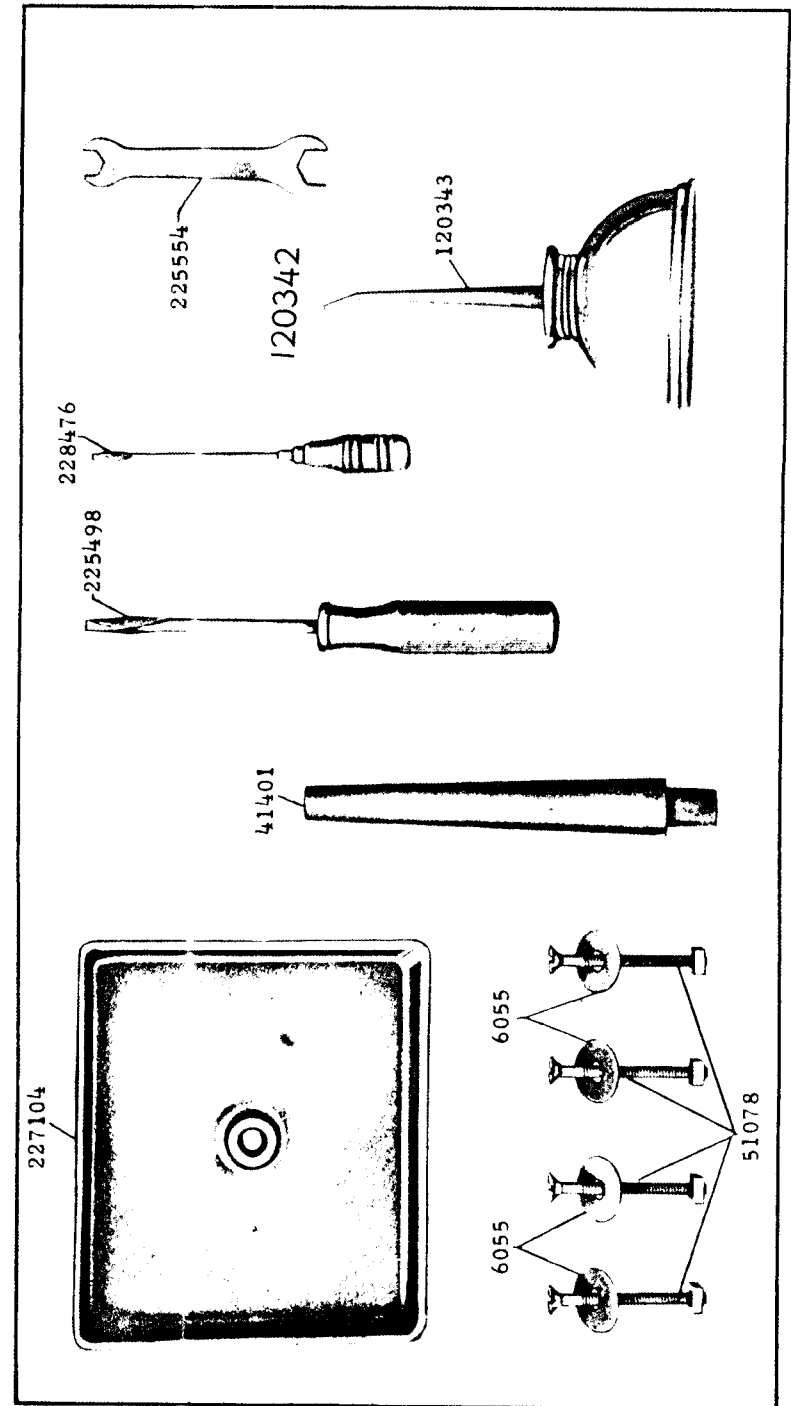
16933 - 1/2

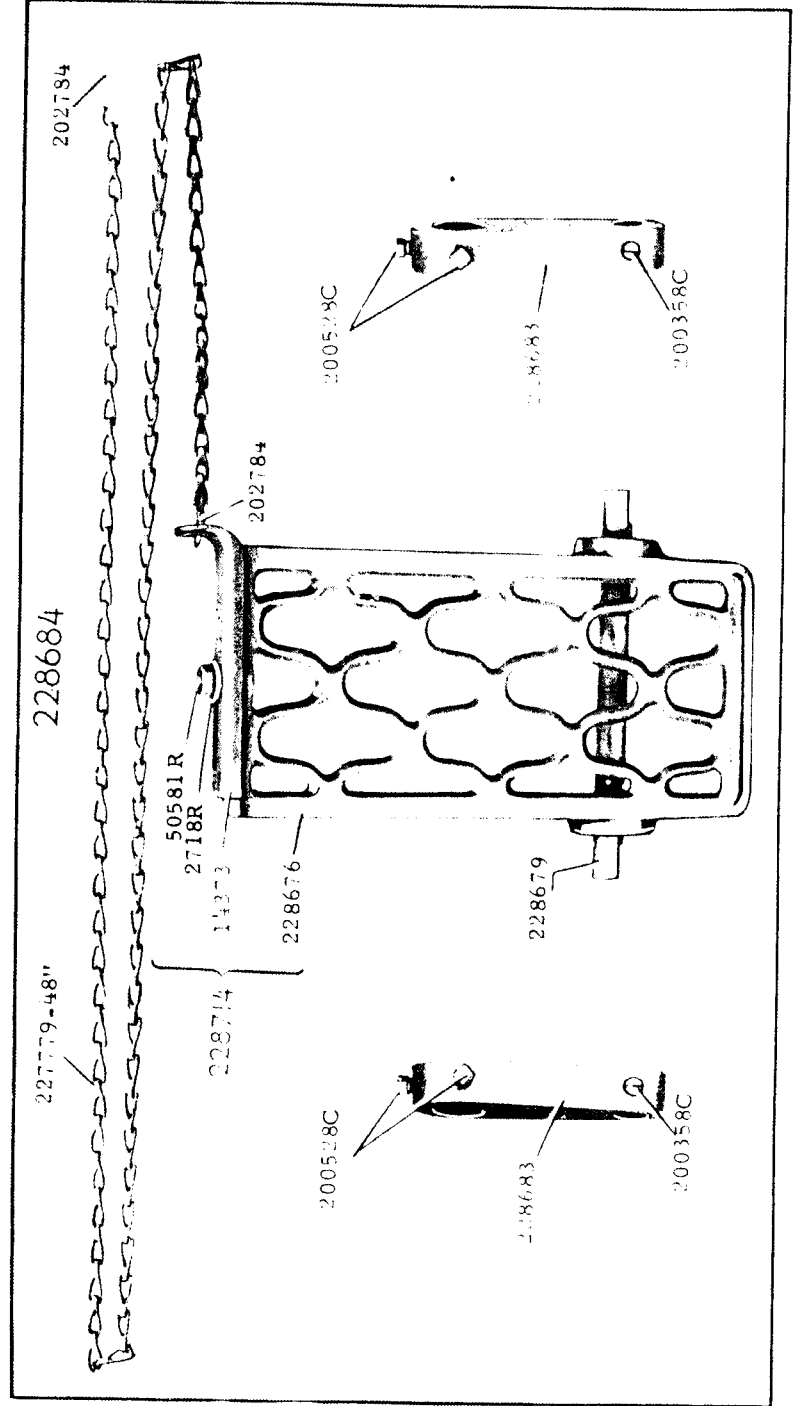
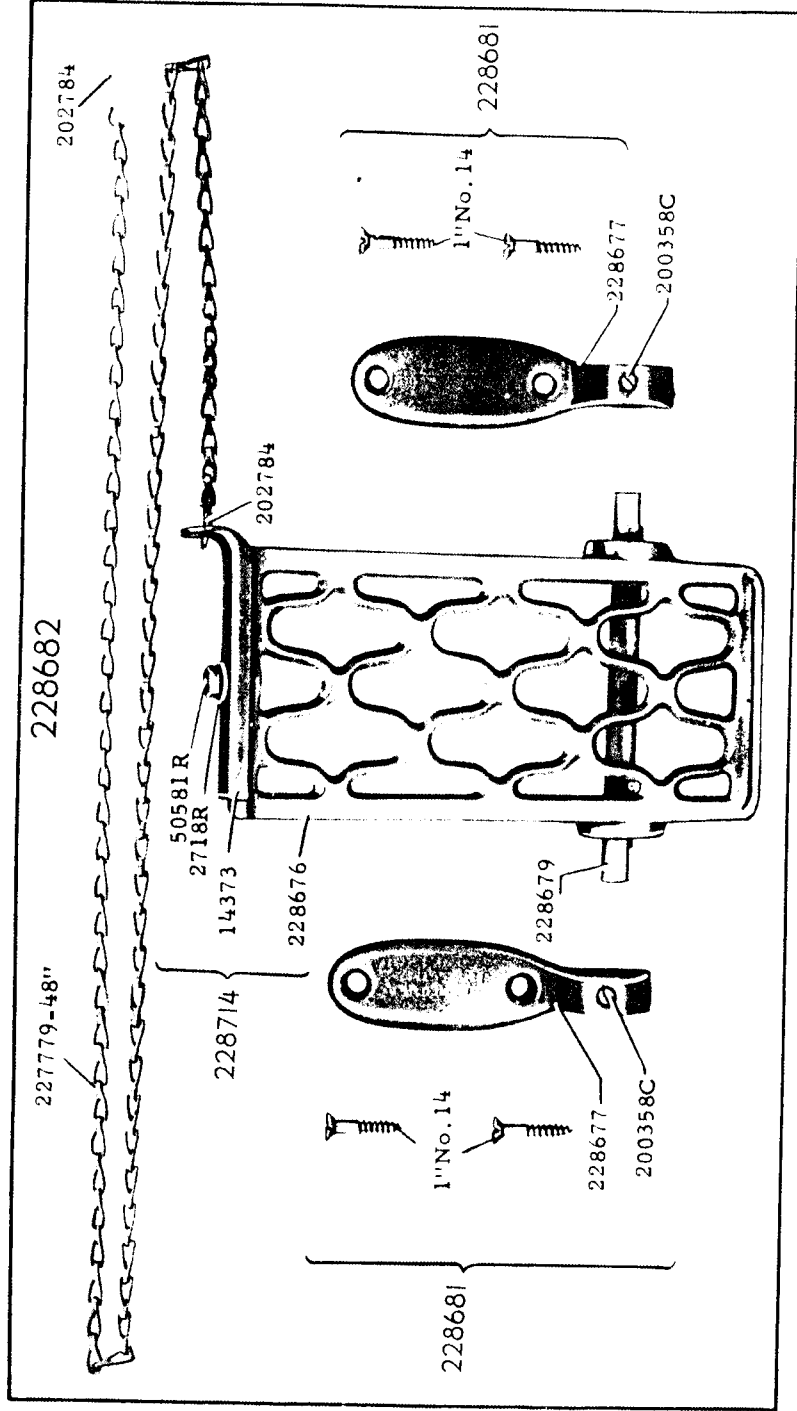


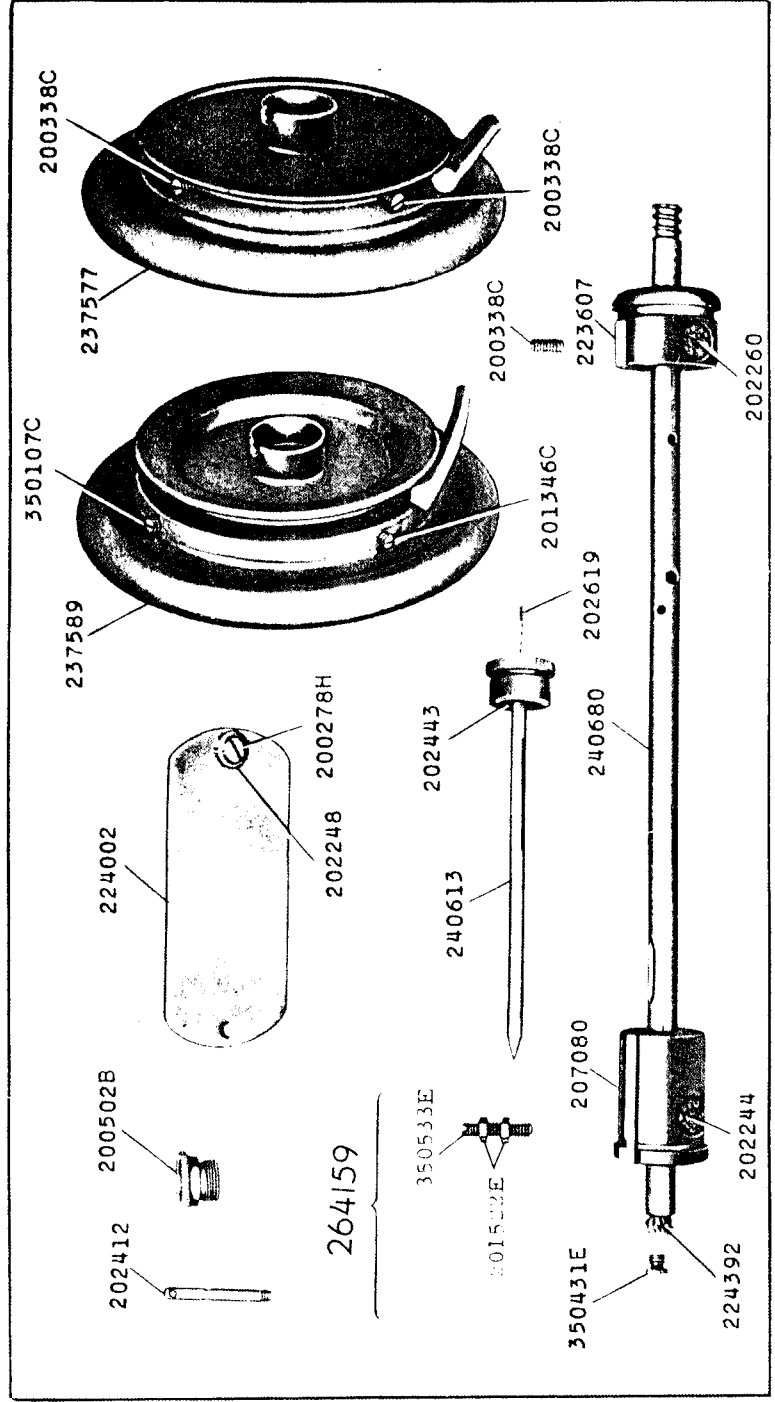
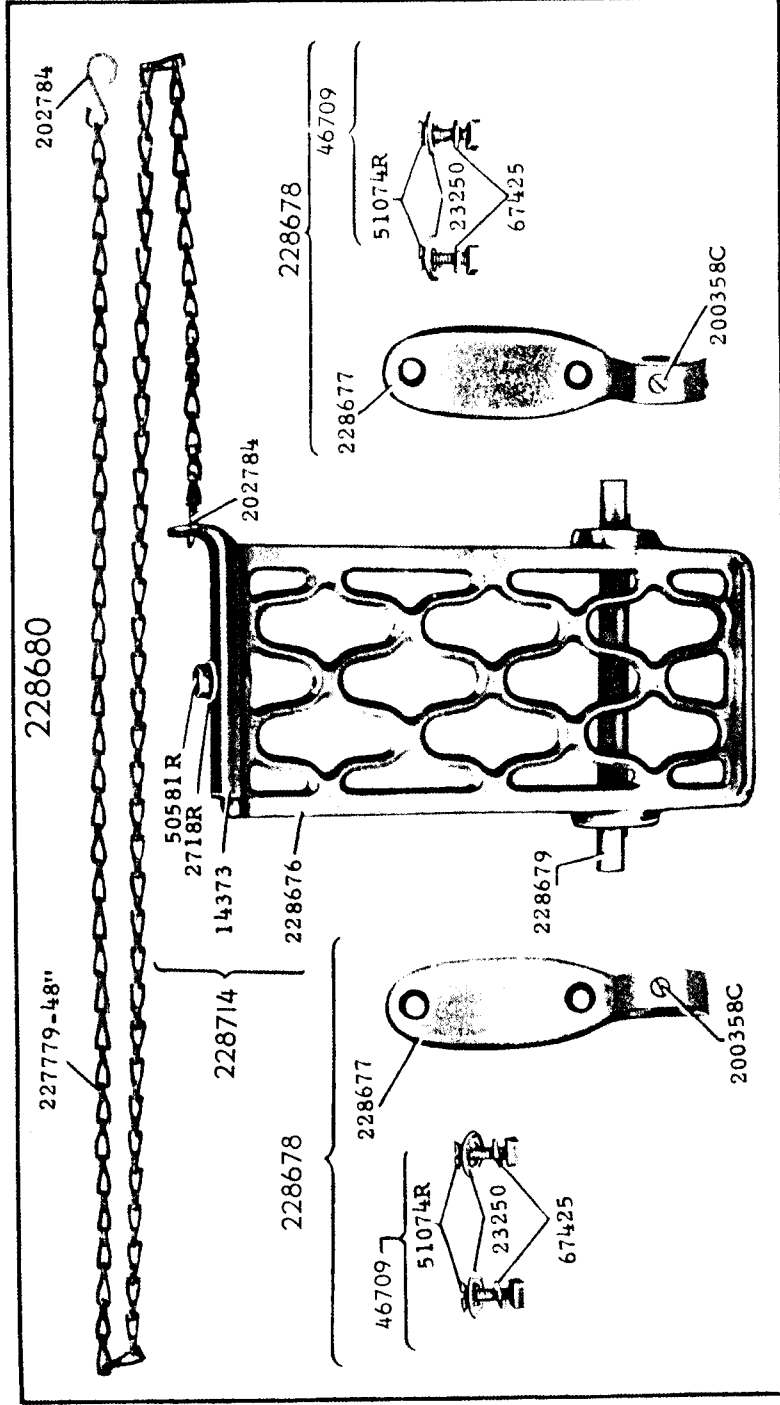
16934 - 1/2



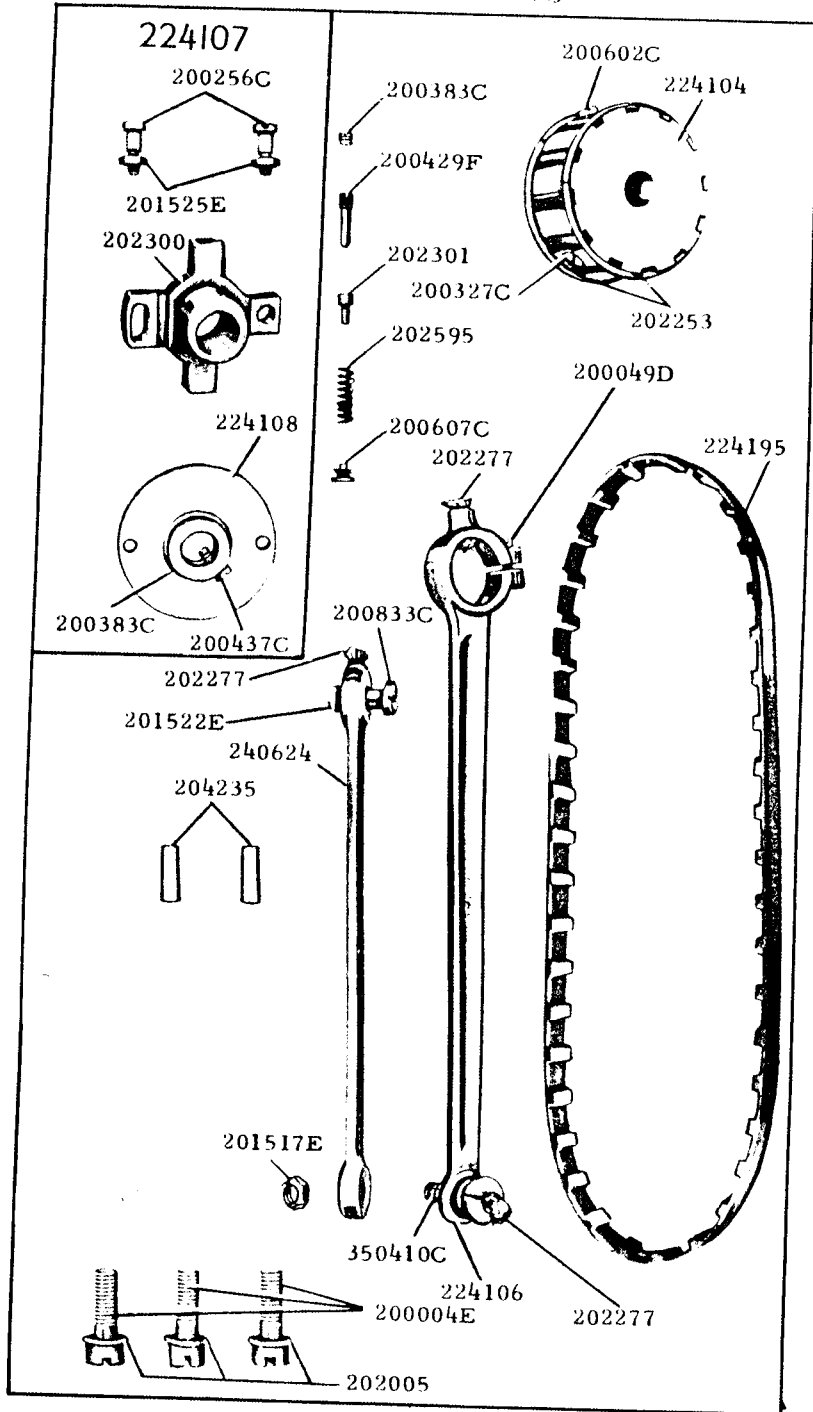
16936 - 1/3







16941 - 3/8



16942 - 3/8

