

SINGER
19W3

INDEX

	Page
Accessories	14
Bobbin Winder	14
Eyelet Punches	16
Foot Lifter	15
Machine No. 1943	5
Numerical List of Parts	17
Throat Plate Spurs	15

Copyright, U. S. A., 1938 and 1940
by The Singer Manufacturing Co.
All Rights Reserved for all Countries

INSTRUCTIONS FOR ORDERING

LIST OF PARTS COMPLETE

5

FOR

In ordering from this list, use ONLY the PART number in the FIRST column.

The number stamped on a Sewing Machine Part is the number of the Single Part only, except when the part includes Set Screws, Clamping Screws, Studs and Rollers Spun on, Small Wires riveted, or Parts soldered together, etc., which it is necessary to furnish in combination.

Every combination of parts sent out has its specific number which, although not stamped on Parts (except in above case), must be used when ordering the combination.

Each number always indicates the SAME PART in whatever list it appears, or for whatever Machine.

The letters after some of the numbers indicate the style of finish only, as follows:

- A. Hardened, Polished, Nickel Plated and Buffed.
- B. Polished, Nickel Plated and Buffed.
- C. Hardened only.
- D. Polished only.
- E. Soft, not polished.
- F. Hardened and Polished.
- H. Blued.
- J. Nickel Plated only.
- R. Merlized.
- X. Black Oxide.
- XC. Hardened and Black Oxide.
- Y. Blade Nickel only.

These letters MUST BE USED when they appear in the list and AFTER the number, as in the list.

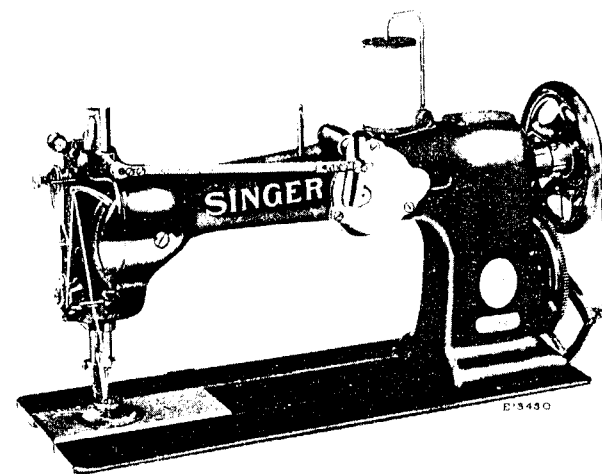
In this series:

200001 to 201500 and 350001 to 351500 are Screw Numbers.
201501 to 201800 and 351501 to 351800 are Nut Numbers.
201801 to 202000 and 351801 to 352000 are Roller Numbers.
202001 to 350000 are Numbers of Machine Parts.

The figures in the second column refer only to the plate in which the illustration of the part is shown and are NOT TO BE USED in ordering.

Two or more numbers over a cut indicate that the difference between such parts is not visible in an illustration.

Parts marked with an asterisk (*) are furnished when repairs are made at the factory.



MACHINE No. 19w3

TRANSVERSE HOOK.

ROTATING, BALL BEARING FEED
AND PRESSER FOOT.

FOR WORKING EYELETS IN SHIRTS, BLOUSES, UNDERWEAR, ETC. LAYS ONE RADIAL STITCH AT EACH REVOLUTION OF THE ROTARY FEED. AFTER ONE REVOLUTION OF THE CLAMP THE STITCHES OVERLAP, UNTIL MACHINE IS STOPPED BY REMOVAL OF PRESSURE FROM THE FOOT TREADLE.

No.	Plate	Name
*215783	-----	Arm with 200383C, 200439C, 204705 and 206109
204163	17576	Arm Cap
200278H	17576	" " Screw
202248	17576	" " " Washer
204235	17576	" Position Pin (2)
200963E	17576	" Screw (3)
202005	17576	" " Washer (3)
206096	17576	" Shaft
206109	17576	" " Bushing (back)
200383C	17576	" " " " Set Screw
204705	17576	" " " (front)
200439C	17576	" " " " Position Screw
204165	17576	" " Connection with four 200054E (2)
200054E	17576	" " " Screw
206486	17576	Balance Wheel, 5-1/4 in. diam. (belt groove 2-3/4 in. diam.), with 200342C and 200347C

PARTS FOR MACHINE No. 19w3

No.	Plate	Name
200926H	17576	Balance Wheel Adjusting Screw
200342C	17576	" " Position Screw
200347C	17576	" " Set Screw
*206392	-----	Bed with 204393,206100 and two 200516E
202258	17576	" Hinge Connection (2)
200570E	17576	" " " Screw (4)
206076	17578	Bobbin
208384	17578	" Case (solid center bearing) with 204181
204181	17578	Bobbin Case Position Finger
204182	17578	" " Tension Spring
200598C	17578	" " " " Regulating Screw
200592C	17578	" " " " Screw
208385	17578	Bobbin Case complete, Nos. 200592C, 200598C 204182 and 208384
208465	17579	Count Regulating Indexed Lever (20 to 60) with two 204189
350058E	17579	Count Regulating Indexed Lever Slide
228026	17579	" " " " " "
		Washer
201528F	17579	Count Regulating Indexed Lever Slide Mt
206458	17579	Counting Wheel
206041	17579	" " Driving Clutch
206042	17579	" " " " Spring
204189	17579	" " " " Hook
233251	17579	" " " Eccentric with 202090
233252	17579	Counting Wheel Driving Eccentric 233251 with 206046
206045	17579	Counting Wheel Driving Eccentric Pitman with 204923
204923	17579	Counting Wheel Driving Eccentric Pitman Bearing
202090	17579	Counting Wheel Driving Eccentric Position Pin
200013E	17579	Counting Wheel Driving Eccentric Screw Stud
206046	17579	Counting Wheel Driving Eccentric Washer
206047	17579	" " Retaining Clutch with 204189
206048	17579	Counting Wheel Retaining Clutch Position Pin
204443	17579	Counting Wheel Retaining Clutch Spring
204189	17579	" " " " " "
		Hook
204321	17579	Counting Wheel Retaining Clutch Spring Pin
200211E	17579	Counting Wheel Screw Stud
200335C	17579	" " " " Set Screw
206379	17579	" " Stop Collar

PARTS FOR MACHINE No. 19w3

No.	Plate	Name
206459	17579	Counting Wheel complete, Nos. 206458, 208465, two each 206041 and 206042
208656	17581	Face Plate with 200366H, 200368H, 202087, 202090, 204185, 204281 and two 200397H
200053C	17581	Face Plate Screw (2)
204185	17581	" " Thread Guide
200397H	17581	" " " " Set Screw
208657	17581	Face Plate complete, Nos. 200286F, 200577XC, 201527E, 202088, 204059, 204280, 204933, 204934, 206639 and 208656
206410	17582	Feed Base Plate
200577XC	17582	" " " Screw (2)
206411	17582	Feed Base Plate complete, Nos. 206409, 206410, 206416, 206419, three 200610F, four 200900H, six each 206417 and 206418
206412	17577	Feed Counter Shaft
206413	17577	" " " Collar with two 200380C
200380C	17577	" " " " Set Screw
206414	17577	" " " Gear, 48 teeth, with two 200380C
200380C	17577	Feed Counter Shaft Gear Set Screw
206415	17577	" " " Pinion, 23 teeth, with two 200380C
200380C	17577	Feed Counter Shaft Pinion Set Screw
206416	17582	" Rotating Plate
206417	17582	" " " Ball, 1/16 in. diameter
206418	17582	" " " " Retainer
206419	17582	" " " Bevel Gear, 80 teeth
*206420	-----	" " " " " Driving Bevel Pinion, 12 teeth
206421	17577	Feed Rotating Plate Bevel Gear Driving Bevel Pinion Shaft with 206420
206422	17582	Feed Rotating Plate Bevel Gear Driving Bevel Pinion Shaft Cover
200582H	17582	Feed Rotating Plate Bevel Gear Driving Bevel Pinion Shaft Cover Screw (2)
206423	17577	Feed Rotating Plate Bevel Gear Driving Bevel Pinion Shaft Gear, 20 teeth, with two 200380C
200380C	17577	Feed Rotating Plate Bevel Gear Driving Bevel Pinion Shaft Gear Set Screw
200900H	17582	Feed Rotating Plate Bevel Gear Screw
204216	17578	Hook (sewing) with 204217
204217	17578	" Bobbin Case Stud
204880	17578	" Bracket with 200379C, two 200380C and three 204234
204881	17578	Hook Bracket 204880 with 204226
204930	17578	" " 204881 with 204224, 204225, 204324, 204539, two each 204223 and 204233

No.	Plate	Name
200379C	17578	Hook Bracket Adjusting Screw (lower)
200380C	17578	" " " " (upper)
204539	17578	" " Bobbin Case Stop (hinged)
204223	17578	" " " " " Hinge Pin
204224	17578	" " " " " Latch
204223	17578	" " " " " Hinge
		Pin
204225	17578	Hook Bracket Bobbin Case Stop Latch Spring
200085C	17578	Hook Bracket Screw (lower or upper)
204909	17578	Hook Bracket complete, Nos. 204216 and 204930
204910	17578	Hook Driver with 204242 and 204243
204885	17577	" " Bevel Gear, 25 teeth, with two 200348C
200348C	17577	Hook Driver Bevel Gear Set Screw
208246	17577	" " Crank
204240	17577	" " " 208246 with 200378C, 200662C, 201530E and two 200348C
206231	17577	Hook Driver Crank Link
200669C	17577	" " " " Stud
201530E	17577	" " " " Nut
200348C	17577	" " " Set Screw (long)
200378C	17577	" " " " (short)
200662C	17577	" " " Stud
201530E	17577	" " " " Nut
204243	17578	" " Pin
204242	17578	" " Washer
204887	17577	" Driving Bevel Gear, 24 teeth, (intermediate)
204888	17577	Hook Driving Bevel Gear (intermediate) Bracket
206078	17577	Hook Driving Bevel Gear (intermediate) Bracket 204888 with 200772C, 201516E and 204887
200041E	17577	Hook Driving Bevel Gear (intermediate) Bracket Screw (2)
200772C	17577	Hook Driving Bevel Gear (intermediate) Bracket Screw Stud
201516E	17577	Hook Driving Bevel Gear (intermediate) Bracket Screw Stud Nut
204886	17577	Hook Driving Bevel Gear Shaft, 25 teeth
204393	17577	" " " " Bushing
206069	17577	" " Shaft
*206100	17577	" " Bearing
202126	17577	" " " Position Pin
200516E	17577	" " " Screw
204246	17577	" " " Collar with two 200383C
200383C	17577	" " " Set Screw

No.	Plate	Name
204201	17577	Hook Driving Shaft Crank with 200335C, 200431C, 200669C and 201530E
200431C	17577	Hook Driving Shaft Crank Position Screw
200335C	17577	" " " " Set Screw
204226	17578	" Race, .156 in. thick, 1.906 in. diam.
204324	17578	" " Cap (steel)
204230	17578	" " Spring
204233	17578	" " " " 204230 with 200802E
200802E	17578	" " " " Screw
204234	17578	" " Position Pin
208613	17580	Needle Bar (hollow)
204247	17580	" " 208613 with 200125F, 200175D and 204250
*206360	17580	Needle Bar Connecting Ball Stud with 200086C
200086C	17580	Needle Bar Connecting Ball Stud Pinch Screw
208641	17580	Needle Bar Connecting Link with 206353 and two 200079H
206354	17580	Needle Bar Connecting Link 208641 with 206360
200744C	17580	Needle Bar Connecting Link Ball Screw Stud
*206352	-----	Needle Bar Connecting Link Ball Screw Stud Cap
201013C	17580	Needle Bar Connecting Link Ball Screw Stud Cap Screw
201522E	17580	Needle Bar Connecting Link Ball Screw Stud Nut
*206353	-----	Needle Bar Connecting Link Cap
200079H	17580	" " " " " Screw
208616	17580	" " Frame
206431	17580	" " " Center (lower)
200363C	17580	" " " " Set Screw
206430	17580	" " " " (upper)
200347C	17580	" " " " Set Screw
204916	17576	" " " Driving Cam with two 200347C
204917	17580	Needle Bar Frame Driving Cam Cover
200571B	17580	" " " " " " Screw
		(3)
204918	17580	Needle Bar Frame Driving Cam Follower
200347C	17576	" " " " " Set Screw
206478	17580	" " " Pitman with 200741C, 201531E, 204921 and two 200110B
200741C	17580	Needle Bar Frame Pitman Ball Screw
*204921	-----	" " " " " Cap
200110B	17580	" " " " " " Screw
201531E	17580	Needle Bar Frame Pitman Ball Screw Nut

No.	Plate	Name
204922	17580	Needle Bar Frame Pitman Connection (adjustable)
204841	17580	Needle Bar Frame Pitman Connection 204922 with 204923
206479	17580	Needle Bar Frame Pitman Connection 204841 with 204924, 206478 and two 200110B
204923	17580	Needle Bar Frame Pitman Connection Bearing
204924	17580	Needle Bar Frame Pitman Connection Clamp Washer
200110B	17580	Needle Bar Frame Pitman Connection Clamp Washer Screw
200791E	17580	Needle Bar Frame Pitman Connection Slide
208127	17580	" " " " " "
		Stop Pin
228026	17580	Needle Bar Frame Pitman Connection Slide Washer
201581B	17580	Needle Bar Frame Pitman Connection Slide Wing Nut
206480	17580	Needle Bar Frame Pitman Connection complete, Nos. 200791E, 201581B, 206479 and 228026
206600	17580	Needle Bar Frame Regulator with 202090, 204928 and 208127
*204928	-----	Needle Bar Frame Regulator Shaft
202574	17580	" " " " " Collar with 200380C
200380C	17580	Needle Bar Frame Regulator Shaft Collar Set Screw
202090	17580	Needle Bar Frame Regulator Shaft Position Pin
204250	17580	Needle Bar Thread Guide
200175D	17580	" " " " Screw
200125F	17580	" Set Screw
206443	17583	Presser Bar (hollow)
204252	17583	" " Lifter
200550C	17583	" " Hinge Screw
208609	17583	" " Lifting Bracket
204931	17583	" " " " 208609 with 200650F and 201525E
203460	17583	Presser Bar Lifting Bracket Position Guide
200362C	17583	Presser Bar Lifting Bracket Position Guide Set Screw
204327	17583	Presser Bar Packing Washer (felt)
206444	17583	" " Plug
200496B	17583	" " Screw (hexagon, pressure regulating)
200504E	17583	Presser Bar Screw Bushing

No.	Plate	Name
204256	17583	Presser Bar Spring
206445	17583	" " Spur Needle Guard, for 206448
206462	17583	" " " " " " 206463
206446	17583	" " " " " Spring
201560D	17583	" " " " " Thumb Nut
206447	17583	Presser Bar Spur Needle Guard Spring Thumb Nut Rod with 201560D
		Note: Presser Bar complete, 206448 will be furnished with this machine unless another presser bar complete is specified on order.
206448	17583	Presser Bar complete, for eyelets 3/32, 7/64, 1/8, 9/64, 5/32 and 11/64 in. diam., Nos. 206443 to 206447
206463	17583	Presser Bar complete, for eyelets 3/16, 7/32 and 1/4 in. diam., Nos. 206443, 206444, 206446, 206447 and 206462
206417	17583	Presser Foot Ball, 1/16 in. diameter
206450	17583	" " Body with 200054E
200054E	17583	" " " Pinch Screw
206449	17583	" " Plate
206451	17583	" " " Cap
206464	17583	Presser Foot (rotating, ball bearing) complete, Nos. 206449 to 206451 and thirty- seven 206417
206005	17582	Presser Foot Lifting Lever
206009	17582	" " " " 206005 with 206389
206388	17582	Presser Foot Lifting Lever Bracket
200563H	17582	" " " " " Screw (2)
227476	17582	Presser Foot Lifting Lever Connection Rod with 202302
206389	17582	Presser Foot Lifting Lever Connection Rod 227476 with 203058
202302	17582	Presser Foot Lifting Lever Connection Rod Cotter Pin
203058	17582	Presser Foot Lifting Lever Connection Rod Coupling with 200530C
200530C	17582	Presser Foot Lifting Lever Connection Rod Coupling Set Screw
200224H	17582	Presser Foot Lifting Lever Hinge Screw
202068	17576	Spool Holder Base
200575H	17576	" " " Screw
204296	17576	" " Wire
200079H	17576	" " " Hinge Screw
204297	17576	Spool Holder complete, Nos. 200079H, 202068 and 204296

No.	Plate	Name
206473	17580	Take-up Cam with 200335C,200383C,200430C, 200744C 201522E,206352 and two 201013C
203172	17580	Take-up Cam Friction Washer
200430C	17580	" " Position Screw
200383C	17580	" " " " Check Screw
200335C	17580	" " Set Screw
206377	17580	Take-up Cam complete,Nos.206354 and 206473
204262	17580	Take-up Lever
206556	17580	" " 204262 with 204263
204263	17580	" " Bearing with 204264
204264	17580	" " " Position Pin
200042F	17580	" " " Screw
201816	17580	" " Roller
204266	17580	Take-up Lever complete,Nos.200042F, 201816 and 206556
244048	17581	Tension Disc
202090	17581	" " Position Pin
204933	17581	" Release Lever
200286F	17581	" " " Hinge Screw
201527E	17581	" " " " " Nut
204934	17581	" " " " " Washer
200650F	17583	" " " Switch Screw Stud
201525E	17583	" " " " " " Nut
202407	17581	" Spring
200632B	17581	" Stud
200397H	17581	" " Set Screw
201572B	17581	" Thumb Nut
204271	17581	" Washer
206639	17581	Tension complete,Nos.200632B,201572B, 202407,204271 and two 244048
204274	17581	Thread Controller Plate
200577XC	17581	" " " Screw
202098	17581	" " Roller
204275	17581	" " " Guard
202084	17581	" " " " Washer
200300C	17581	" " " Screw
204276	17581	" " " Spring
204333	17581	" " " Guard
200581H	17581	" " " " Screw
202087	17581	" " " Stop
202088	17581	" " " Stud with 204925
200366H	17581	" " " " Set Screw
204925	17581	" " " " Washer
205987	17581	Thread Controller complete,Nos.200300C, 200581H,202084,202098,204274,204275 and 204333
204280	17581	Thread Controller and Spring complete,Nos. 204276 and 205987
202412	17576	Thread Guide

No.	Plate	Name
202413	17583	Thread Guide
204281	17581	" Retainer Guide Wire
202091	17581	" " Sleeve
202092	17581	" " Spring
204058	17581	" " Stud
200368H	17581	" " " Set Screw
204059	17581	Thread Retainer complete,Nos.202091, 202092 and 204058
206409	17582	Throat Plate
200610F	17582	" " Screw
206403	17582	" " Spur,for eyelets 9/64 in.diam- eter
200587H	17582	Throat Plate Spur Screw (2)

ACCESSORIES

No.	Plate	Name
206076	17578	Bobbin (5)
*225482	-----	" Case Screw Driver Blade
*225483	-----	" " " " Handle
225497	17620	Bobbin Case Screw Driver complete, Nos. 225482 and 225483
206399	17582	Throat Plate Spur, for eyelets 5/32 in. diameter
206402	17582	Throat Plate Spur, for eyelets 1/8 in. diameter
126 x 1	17580	Needles, three each sizes 14 and 16
228218	17584	Drip Pan with four 1 in. wire nails
41400	17620	Machine Rest Pin (wood)
120342	17620	Oiler (copper plated) with 120343
120343	17620	" Spout, 3-1/2 in. long
225498	17620	Screw Driver (7-1/4 in. long)
225554	17620	Wrench (steel)

BOBBIN WINDER

(SWINGING AUTOMATIC, RIGHT HAND)

259428	16615	Brake (leather)
259429	16615	" Clamp
200113F	16615	" " Screw
225453	16615	Frame with 202277 and 225438
225454	16615	" Hinge Pin
202277	16615	" Oil Packing (wick)
225438	16615	" " Well Cap
225455	16615	" Spring
225456	16615	" " Plunger
225368	16615	Pulley with 200380C
200380C	16615	" Set Screw
225381	16615	Spindle
225444	16615	Stop Latch
200056E	16615	" " Screw
225458	16615	" " Thumb Lever
225459	16615	" " " " Hinge Stud
225459	16615	" " " " Joint Stud
202478	16615	" " Trip Lever
200299H	16615	" " " " Hinge Screw
225461	16615	Tension Bracket with 201499B
200082D	16615	" " " Screw

No.	Plate	Name
228026	16615	Tension Bracket Screw Washer
2102	16615	" Disc
13710	16615	" Spring
201499B	16615	" Stud
201572B	16615	" " Thumb Nut
225462	16615	Bobbin Winder Tension Bracket complete, Nos. 13710, 201572B, 225461 and two 2102
259430	16615	Bobbin Winder and Tension Bracket Base
259431	16615	Universal Bobbin Winder complete, Nos. 200056E, 200082D, 200113F, 200299H, 202478, 225368, 225381, 225444, 225453 to 225456, 225458, 225462, 228026, 259428 to 259430, two each 225459 and wood screws 3/4 in., No. 12, R.H.B.

FOOT LIFTER

227952	17620	Foot Lifter Lever (left or right) with 227954
227678	17620	Foot Lifter Lever Chain, 48 in. long with 202784
227954	17620	Foot Lifter Lever Chain Hook (lower)
202784	17620	" " " " " (upper)
225016	17620	" " " Hinge Pin
227953	17620	" " " Stand with two wood screws 1 in., No. 12
227955	17620	Foot Lifter Lever (left or right) complete, Nos. 225016, 227678, 227952 and 227953

THROAT PLATE SPURS

206399	17582	Throat Plate Spur, for eyelets 5/32 in. diameter
206400	17582	Throat Plate Spur, for eyelets 3/32 in. diameter
206401	17582	Throat Plate Spur, for eyelets 7/64 in. diameter
206402	17582	Throat Plate Spur, for eyelets 1/8 in. diameter
206403	17582	Throat Plate Spur, for eyelets 9/64 in. diameter

THROAT PLATE SPURS

No.	Plate	Name
206405	17582	Throat Plate Spur, for eyelets 3/16 in. diameter
206406	17582	Throat Plate Spur, for eyelets 7/32 in. diameter
206407	17582	Throat Plate Spur, for eyelets 1/4 in. diameter

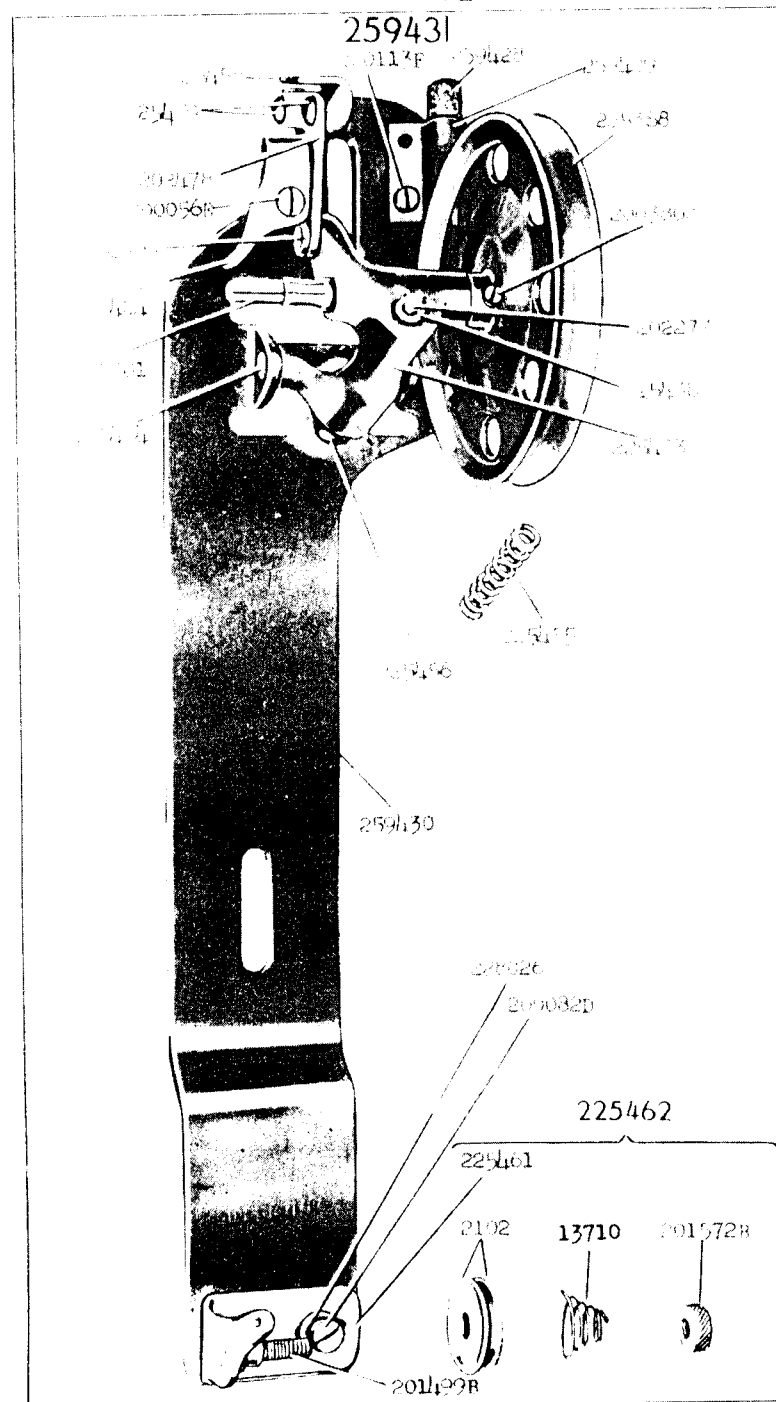
EYELET PUNCHES

234467	17582	Eyelet Punch	3/32 in. diameter
234464	17582	"	7/64 in. diameter
234471	17582	"	1/8 in. diameter
234466	17582	"	9/64 in. diameter
234465	17582	"	5/32 in. diameter
234472	17582	"	3/16 in. diameter
234473	17582	"	7/32 in. diameter
234474	17582	"	1/4 in. diameter

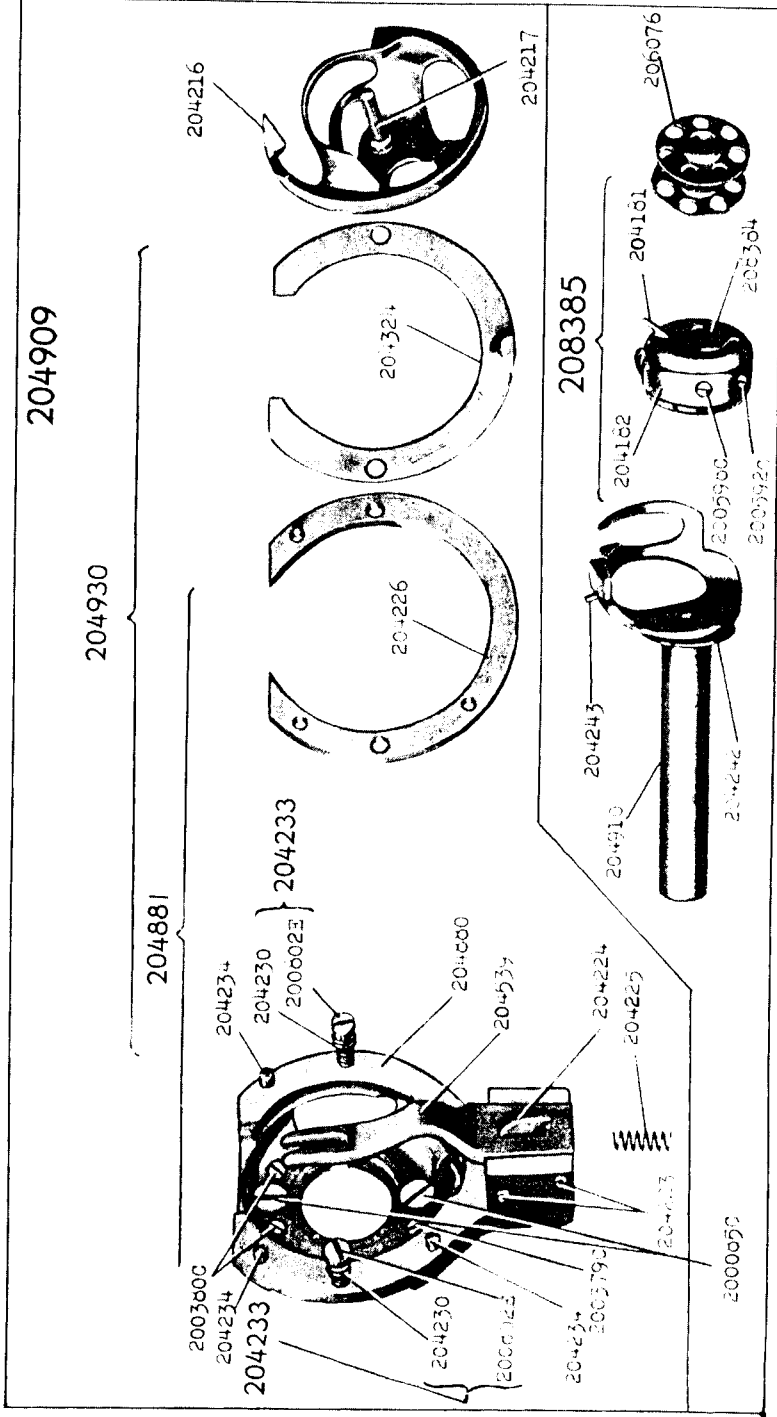
Genuine Singer Needles should be used in Singer Machines. These Needles and their Containers are marked with the Company's Trade Mark "SIMANCO." 1

Needles in Containers marked "For Singer Machines" are not Singer made needles. 2

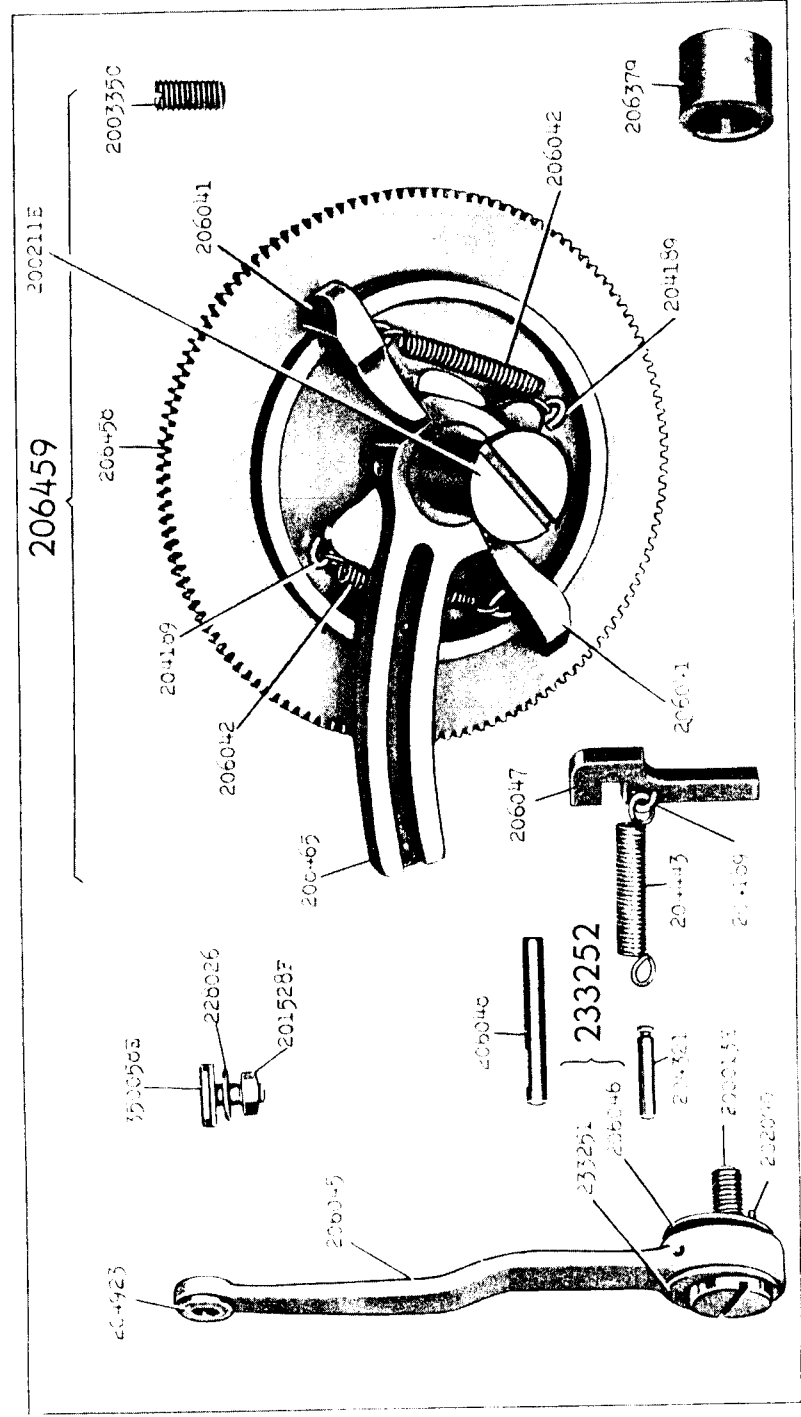
16615 - 1/2



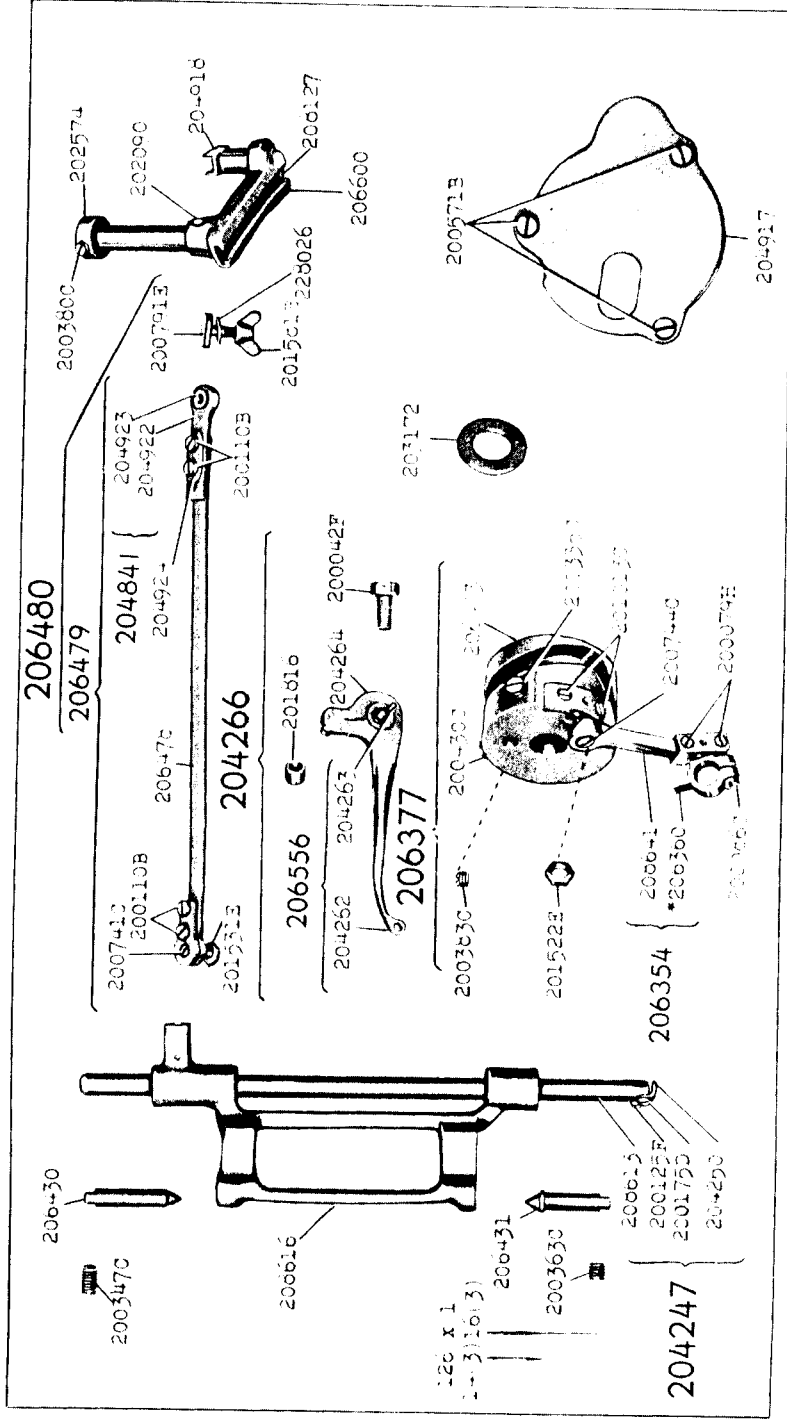
17578 - 5/8



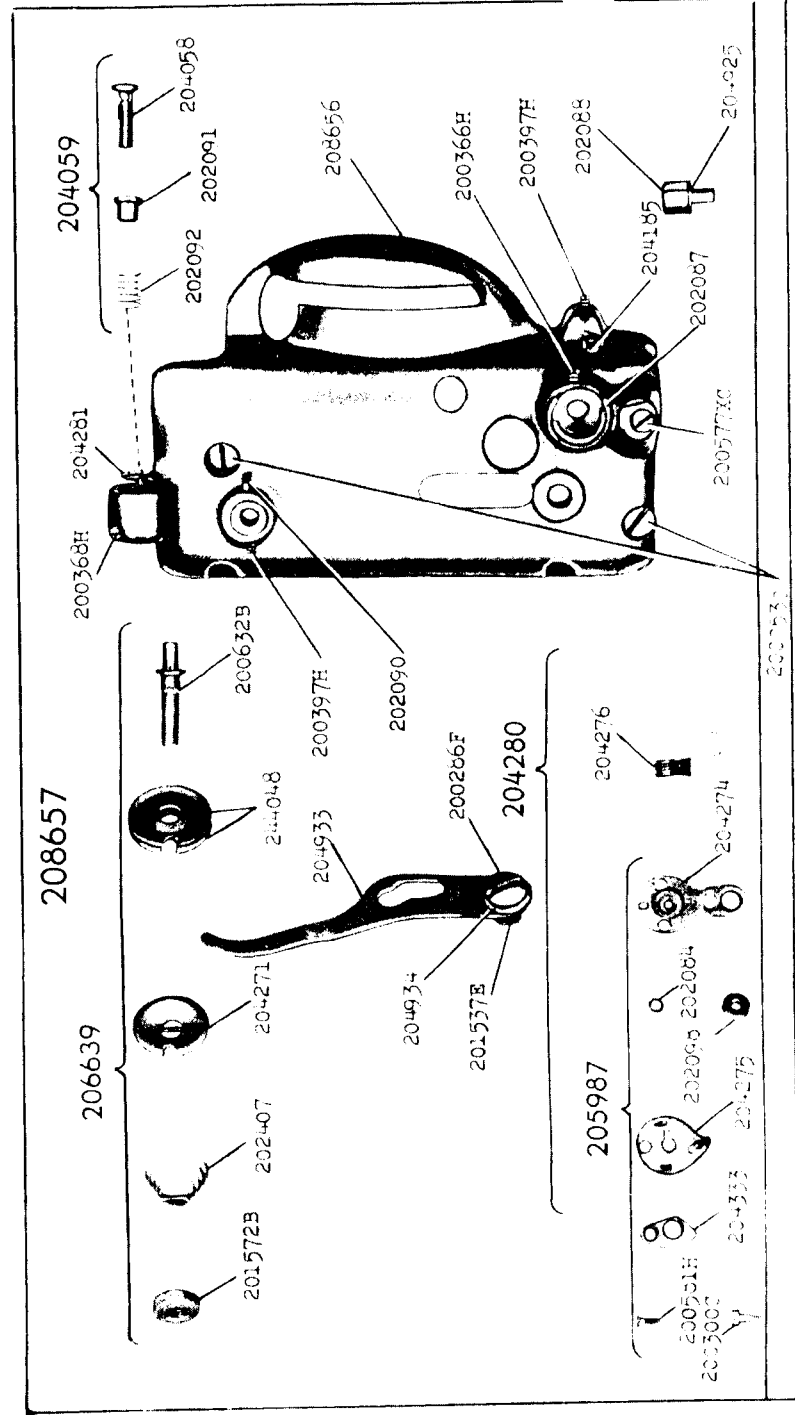
17579 - 2/3



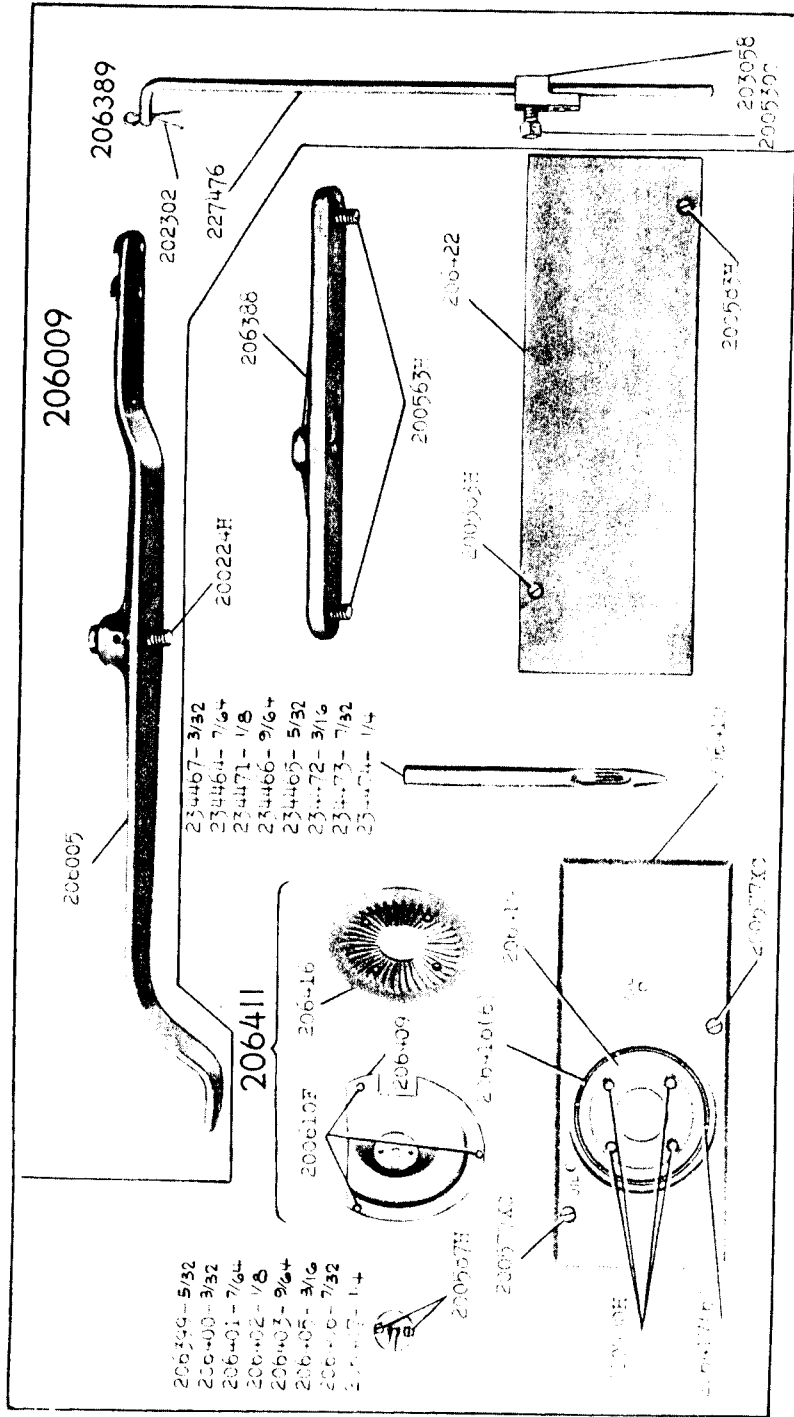
17580 - 3/8



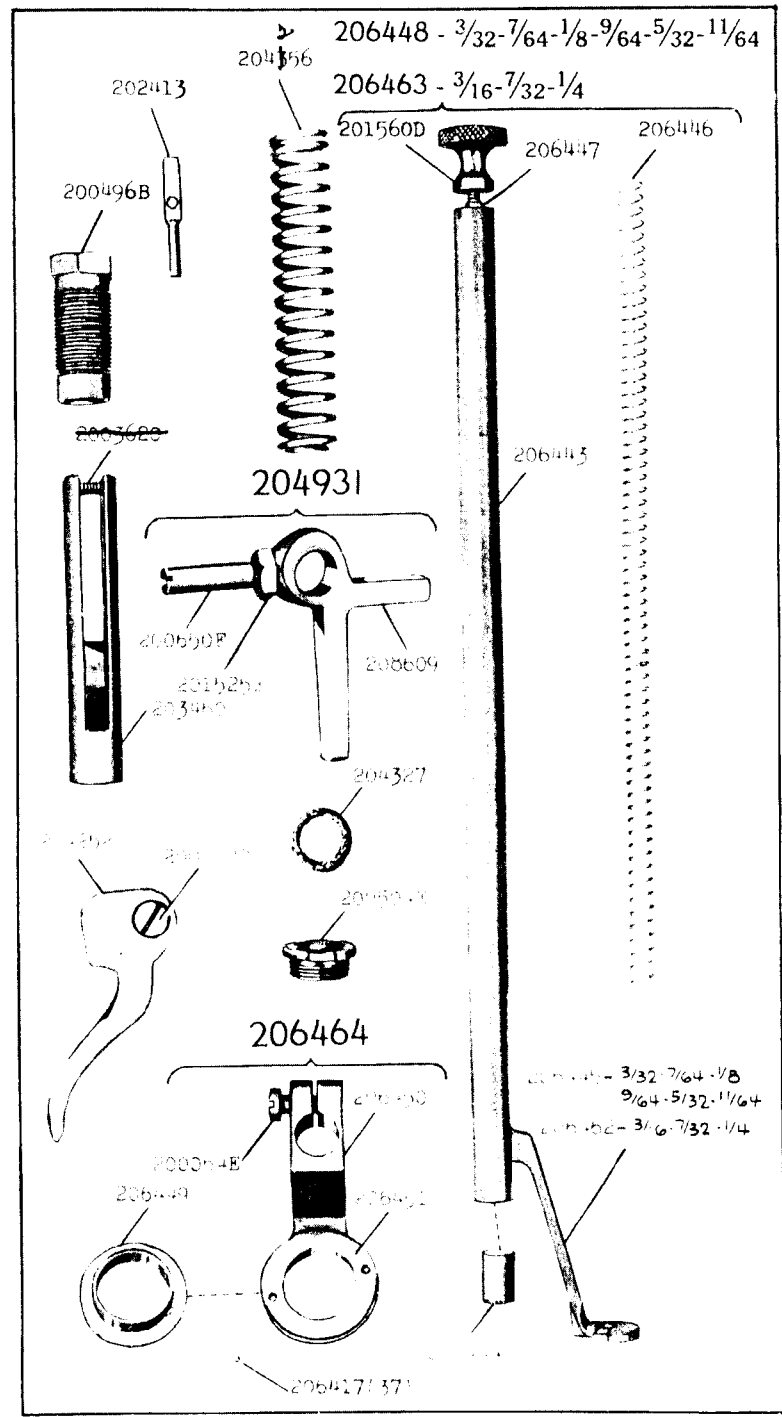
17581 - 1/2



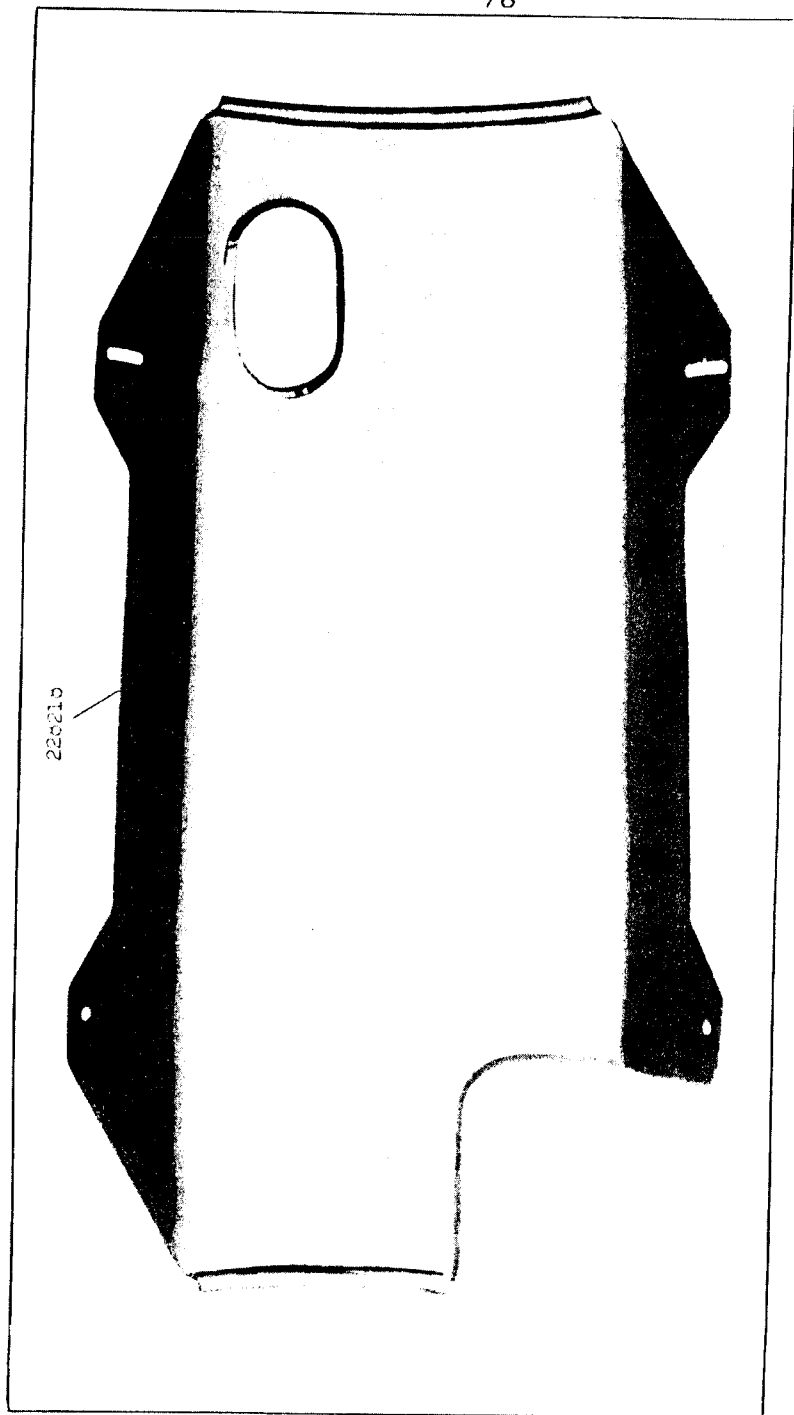
17582 - 3/8



17583 - 2/3



17584 - 3/8



17620 - 1/3

227955

