

**ILLUSTRATED
PARTSLIST**

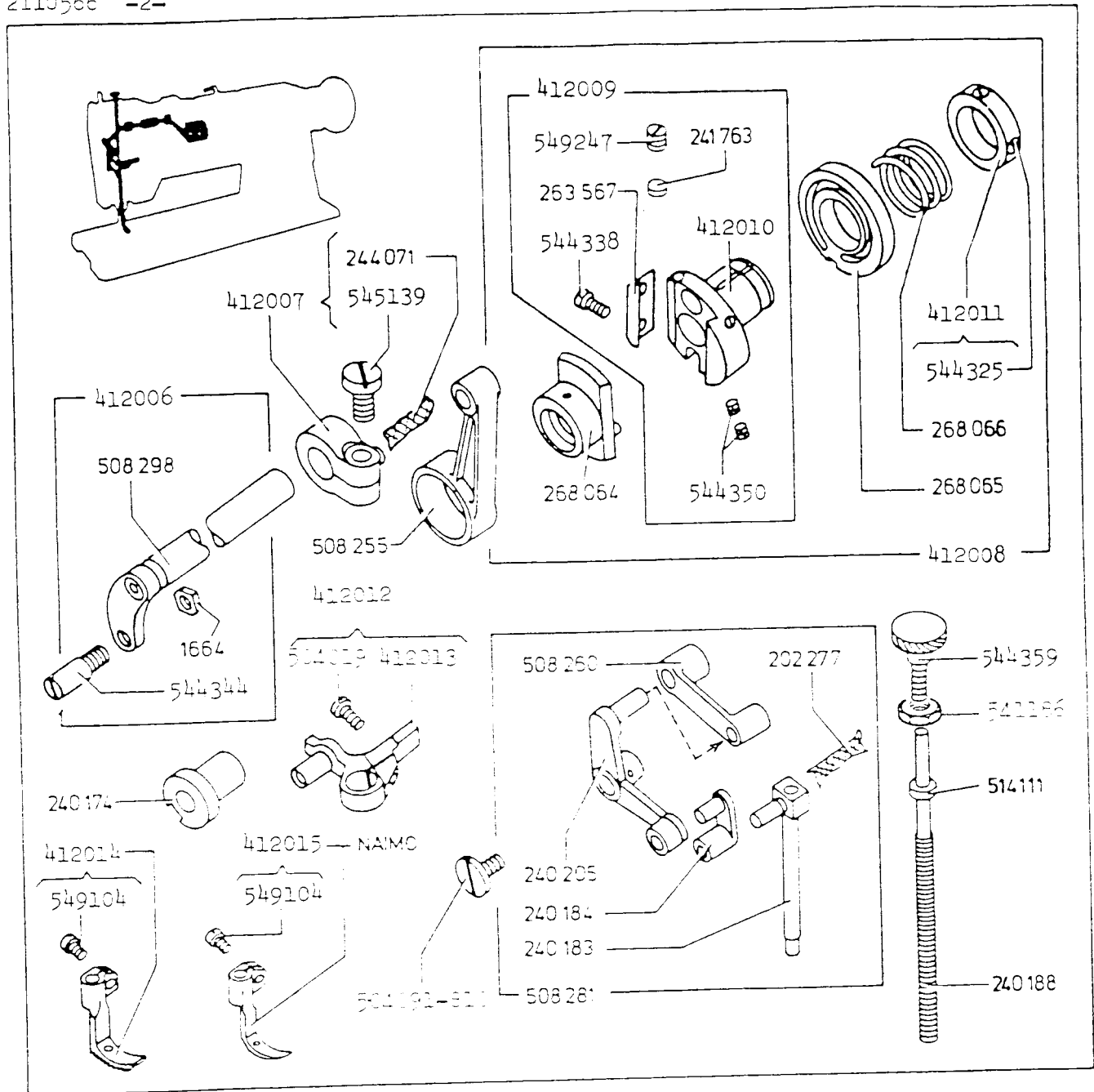
FOR

SINGER^{*}

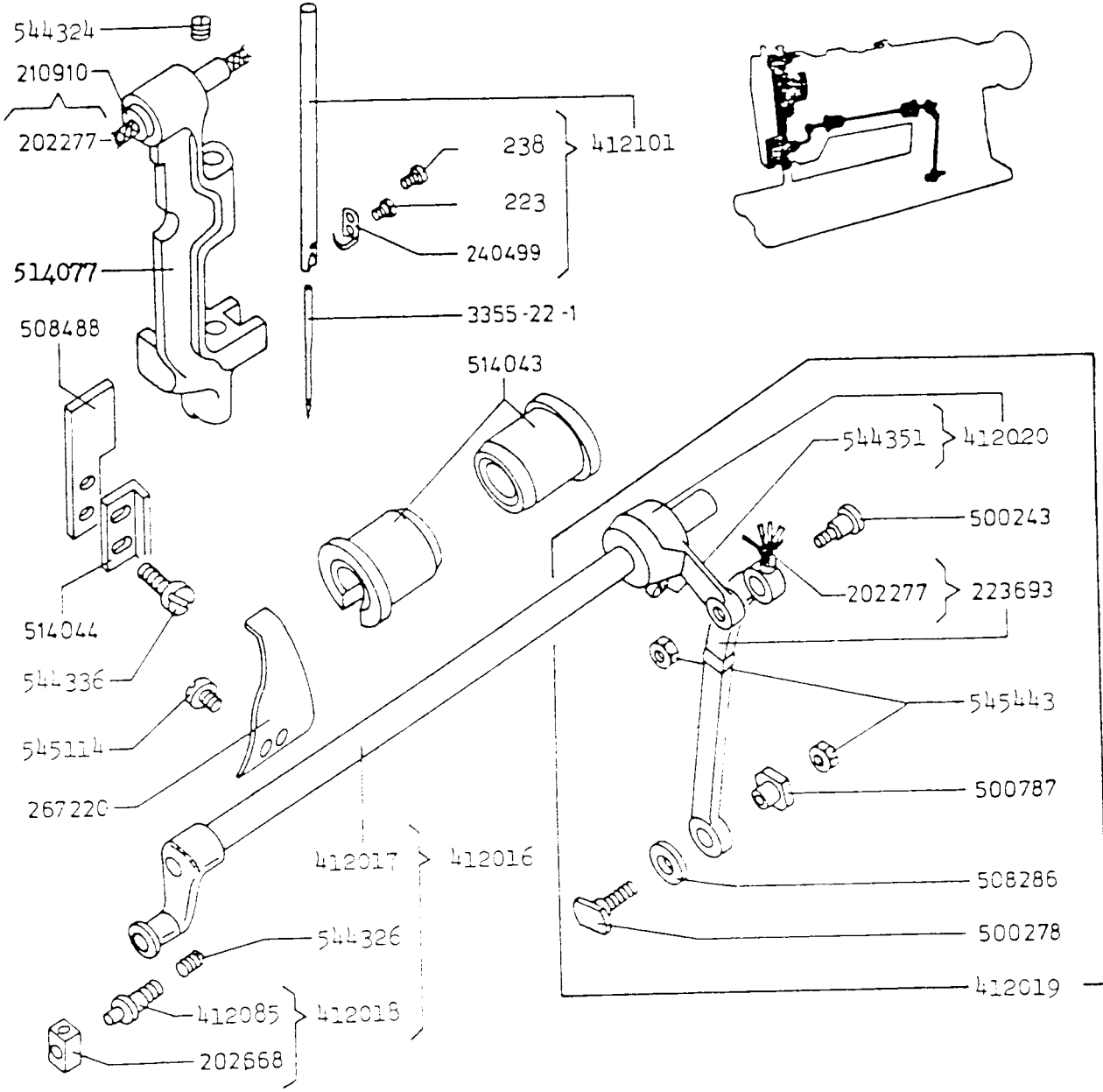
MACHINE

211U566

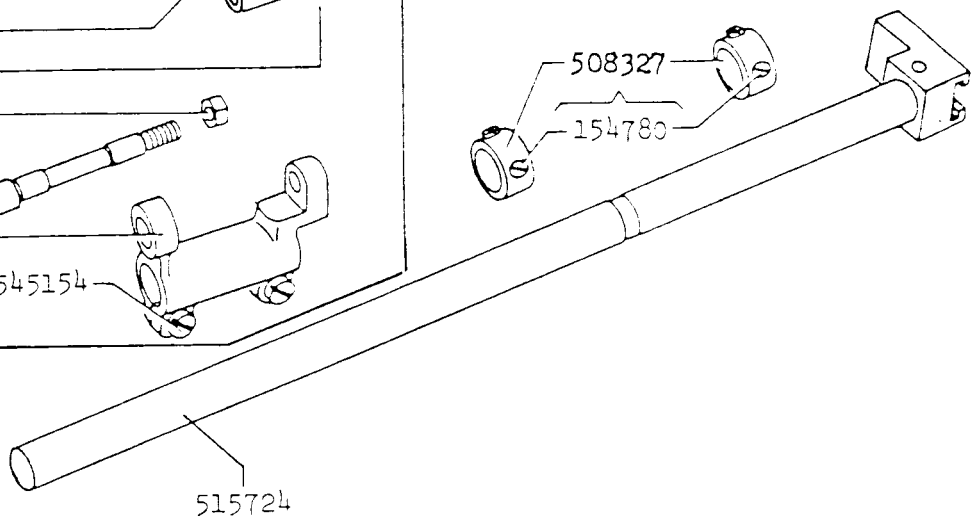
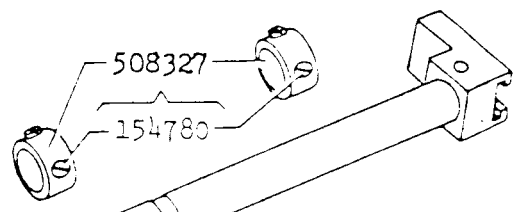
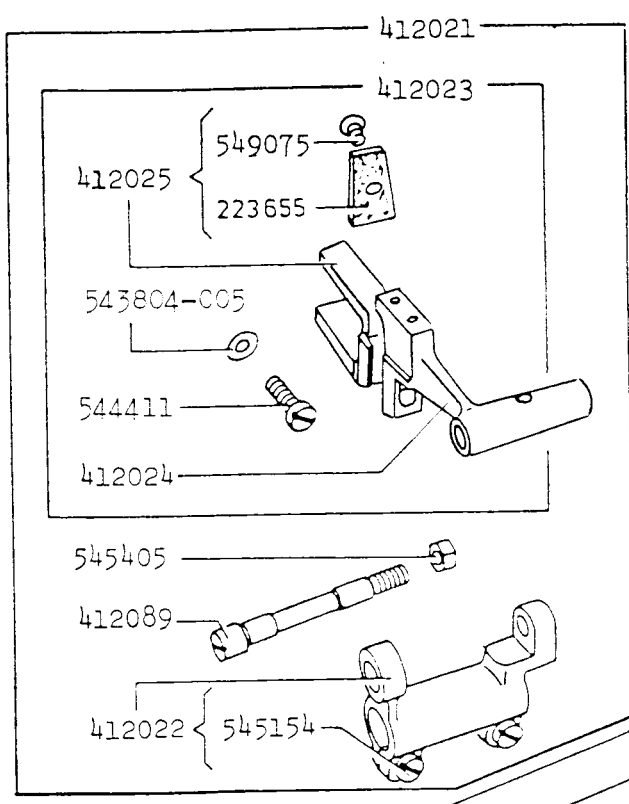
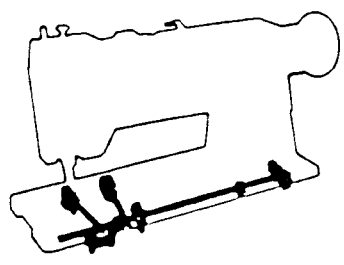
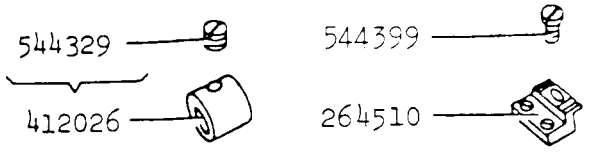
* A Trademark of THE SINGER COMPANY
Copyright © 1981 THE SINGER COMPANY
All Rights Reserved Throughout World



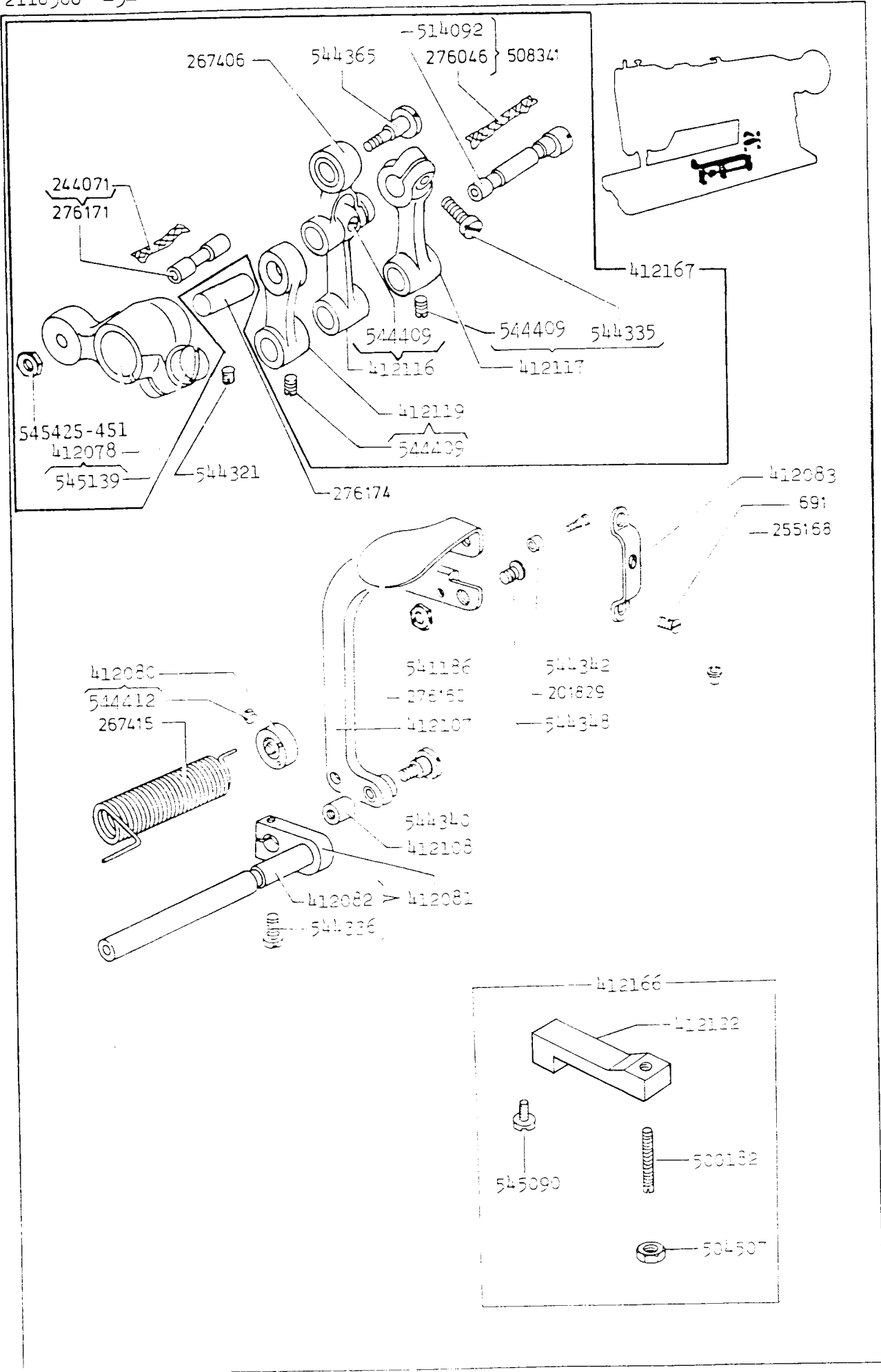
No.	212U141 442 211U157 165 166 566	Description
1664	- - - * * *	Lifting Bell Crank Link Screw Stud Nut
202277	- - - * * *	Vibrating Presser Bar Wick
240174	- - - * * *	Lifting Rock Shaft Bushing (2)
240183	- - - * * *	Vibrating Presser Bar
240184	- - - * * *	Vibrating Presser Bar Connecting Link
240188	- - - * * *	Vibrating Presser Bar Extension Spring
240205	- - - * * *	Lifting Bell Crank
241763	- - - * * *	Eccentric Friction Plate Screw Set Screw (2)
244071	- - - * * *	Lifting Eccentric Connection Crank Oil Wick
263567	- - - * * *	Lifting Eccentric Friction Plate
268064	- - - * * *	Lifting Eccentric
268065	- - - * * *	Lifting Eccentric Adjusting Disc
268066	- - - * * *	Lifting Eccentric Adjusting Disc Spring
412006	- - - * * *	Lifting Rock Shaft Complete 1664, 508298, 544344
412007	- - - * * *	Lifting Eccentric Connection Crank with 244071, 545139
412008	- - - * * *	Lifting Eccentric with 268064, 268065, 268066, 412009, 412011, 508255
412009	- - - * * *	Lifting Eccentric Flange Complete 241763 (2), 263567, 412010, 544338 (2), 544350 (4), 549247 (2)
412010	- - - * * *	Lifting Eccentric Flange
412011	- - - * * *	Lifting Eccentric Adjusting Disc Spring Collar with 544338 (2)
412012	- - - * * *	Presser Bar Lifting Bracket Complete 412013, 504019
412013	- - - * * *	Presser Bar Lifting Bracket
412014	- - - * * *	Vibrating Presser Foot with 549104
412015	- - - * * *	Vibrating Presser Foot with 549104 (naimo)
545295	- - - * * *	Presser Bar Lifting Bracket Pinch Screw
504091 -810	- - - * * *	Lifting Bell Crank Cap Screw
508255	- - - * * *	Lifting Eccentric Connection
508260	- - - * * *	Lifting Bell Crank Link
508281	- - - * * *	Vibrating Presser Bar with Bell Crank and Lifting Bell Crank Complete 202277, 240183, 240184 240205,
508298	- - - * * *	Lifting Rock Shaft
514111	- - - * * *	Vibrating Presser Bar Extension
541166	- - - * * *	Vibrating Presser Bar Thumb Screw Lock Nut
544325	- - - * * *	Lifting Eccentric Adjusting Disc Spring Collar Set Screw 2.
544338	- - - * * *	Lifting Eccentric Friction Plate Screw (2)
544344	- - - * * *	Lifting Bell Crank Link Screw Stud
544350	- - - * * *	Lifting Eccentric Flange Set Screw (4)
544359	- - - * * *	Vibrating Presser Bar Thumb Screw (pressure regulating)
545139	- - - * * *	Lifting Eccentric Connection Crank Pinch Screw
549104	- - - * * *	Vibrating Presser Foot Pinch Screw
549104	- - - * * *	Vibrating Presser Foot Pinch Screw
549247	- - - * * *	Lifting Eccentric Friction Plate Screw Set Screw (2)



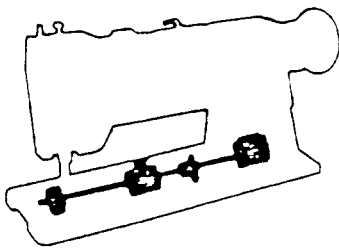
No.	212U141 442 211U157 165 166 566	Description
223	- - * * * *	Needle Set Screw
238	- - * * * *	Needle Bar Thread Guide Screw
3355-22	- - - * * *	Needle
202277	- - - * * *	Needle Bar Rock Frame Hinge Stud Oil Wick
202277	- - - * * *	Needle Bar Rock Frame Rock Shaft Crank Connection Oil Wick
202668	- - - * * *	Needle Bar Rock Frame Rock Shaft Slide Block
210910	- - - * * *	Needle Bar Rock Frame Hinge Stud with 202277
223693	- - - * * *	Needle Bar Rock Frame Rock Shaft Crank Connection with 202277
240499	- - - * * *	Needle Bar Thread Guide
267220	* * * * * *	Oil Guard
412016	- - - * * *	Needle Bar Rock Frame Rock Shaft Complete 412017 412018, 544326
412017	- - - * * *	Needle Bar Rock Frame Rock Shaft
412018	- - - * * *	Needle Bar Rock Frame Rock Shaft Slide Block Complete 202668, 412017
412019	- - - * * *	Needle Bar Rock Shaft Connection Link Crank Complete 223693, 412020, 500243, 500278, 500787, 508286, 545443 (2)
412020	- - - * * *	Needle Bar Rock Shaft Connection Link Crank with 544326
412085	- - - * * *	Needle Bar Rock Frame Rock Shaft Slide Block Stud
412101	- - - * * *	Needle Bar with 223, 238, 240499
500243	- - - * * *	Needle Bar Rock Shaft Crank Hinge Screw
500278	- - - * * *	Needle Bar Rock Shaft Crank Link Slide Screw
500787	- - - * * *	Needle Bar Rock Shaft Crank Link Slide Screw Nut
508286	- - - * * *	Needle Bar Rock Shaft Crank Link Slide Screw Spacer
508488	- - - * * *	Presser Bar Guide
514043	- - - * * *	Needle Bar Rock Shaft Bushing (2)
514044	- - - * * *	Needle Bar Rock Frame Position Bracket
514077	- - - * * *	Needle Bar Rock Frame
544324	- - - * * *	Needle Bar Rock Frame Hinge Stud Set Screw
544326	- - - * * *	Needle Bar Rock Frame Rock Shaft Slide Block Stud Set Screw
545361	- - - * * *	Presser Bar Guide Screw (2)
544351	- - - * * *	Needle Bar Rock Shaft Connection Link Crank Pinch Screw
545114	* * * * * *	Oil Guard Screw (2)
545143	- - - * * *	Needle Bar Rock Shaft Crank Hinge Screw
545443	- - - * * *	Needle Bar Rock Shaft Crank Link Slide Screw Lock Nut



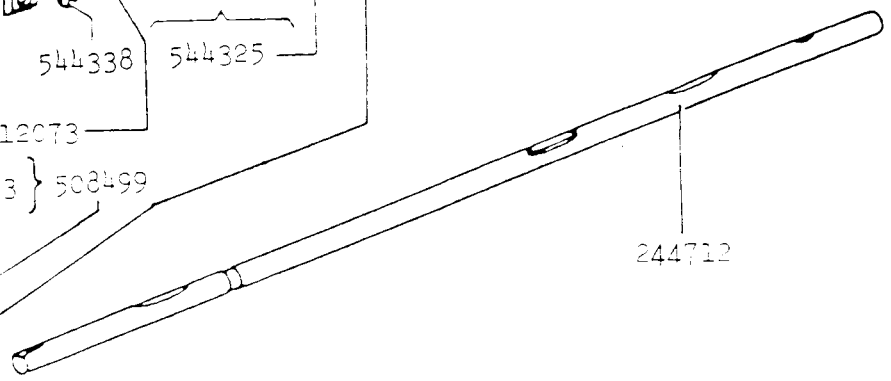
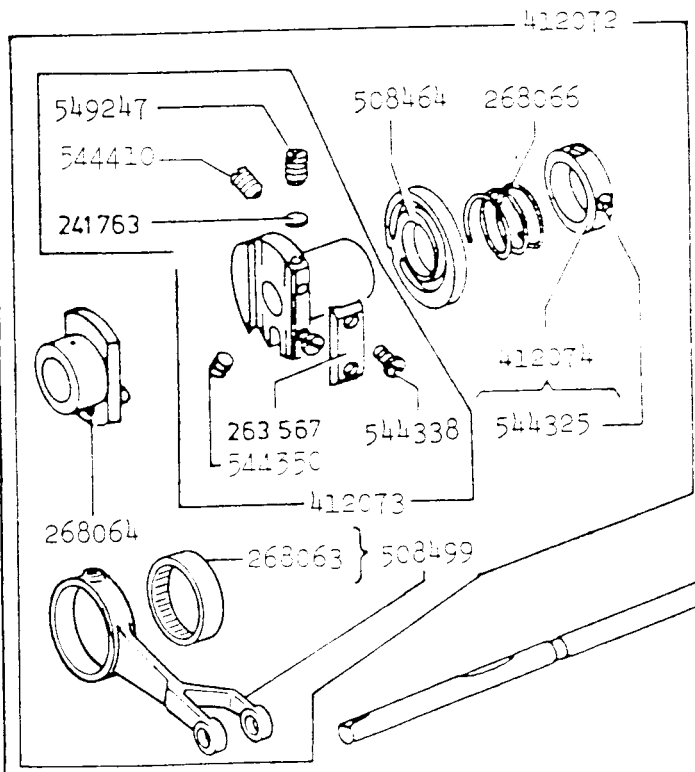
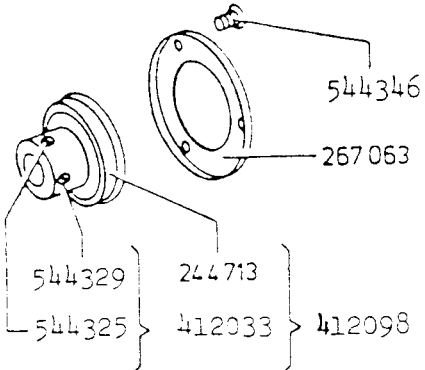
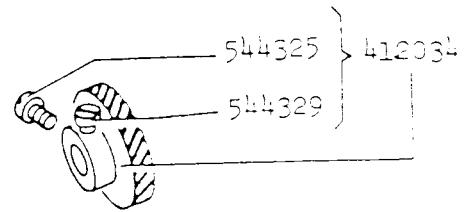
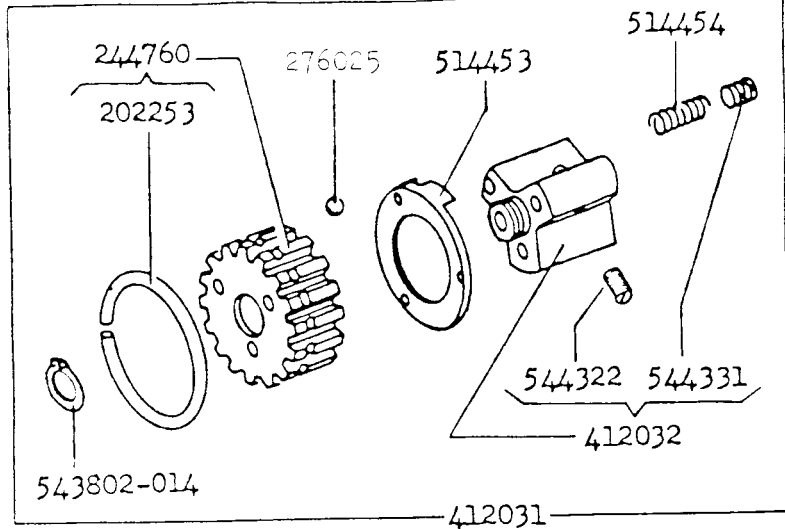
No.	212U141 442 211U157 165 166 566	Description
154780	* * * * *	Feed Driving Rock Shaft Stop Collar Set Screw (4)
223655	* * * * *	Feed Lifting Eccentric Fork Oiling Felt
264510	- - - * - *	Feed Dog
412021	- - - * * *	Feed Driving Rock Frame Complete 412022, 412023, 412089, 545405
412022	* * * * *	Feed Driving Rock Frame with 545154 (2)
412023	- - - * * *	Feed Bar Complete 543804-005, 412024, 412025, 544411
412024	- - * * * *	Feed Bar
412025	- - - * * *	Feed Lifting Eccentric Fork with 223655, 549075
412026	* * * * *	Feed Lifting Eccentric with 544329
412089	* * * * *	Feed Bar Hinge Screw
508327	* * * * *	Feed Driving Rock Shaft Stop Collar (2) with 154780
515724	- - - * * *	Feed Driving Rock Shaft
225837	* * * * *	Feed Lifting Eccentric Fork Screw Washer
543804-005	* * * * *	Feed Lifting Eccentric Set Screw
544399	* * * * *	Feed Dog Screw (2)
544411	* * * * *	Feed Lifting Eccentric Fork Screw
545154	* * * * *	Feed Driving Rock Frame Pinch Screw (2)
545405	* * * * *	Feed Bar Hinge Screw Nut
549075	* * * * *	Feed Lifting Eccentric Fork Oiling Felt Screw



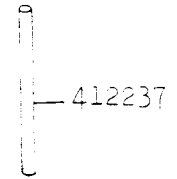
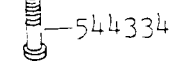
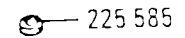
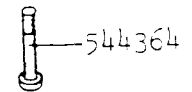
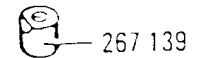
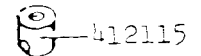
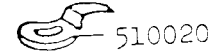
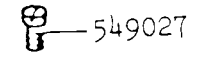
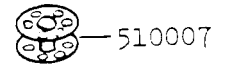
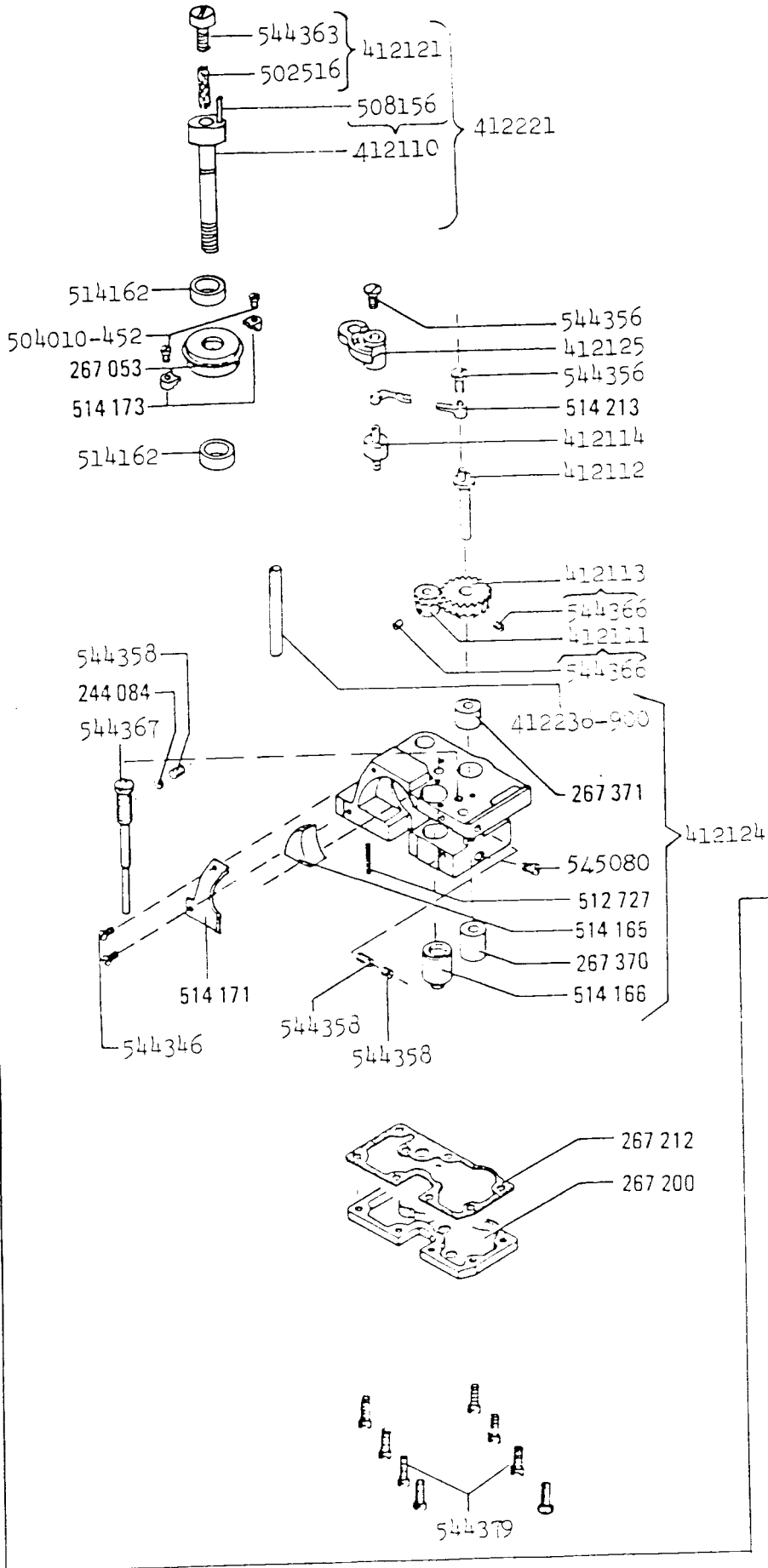
No.	212U141 442 211U157 165 166 566	Description
691	* * * - * *	Feed Reversing Lever Guide Roller Position Plate Screw (2)
201829	* * * - * *	Feed Reversing Lever Guide Roller
244071	* * * - * *	Feed Driving Eccentric Connection Hinge Pin Oil Wick
255168	* * * - * *	Bed Oil Cup (2)
267406	* * * - * *	Feed Driving Eccentric Connection Link
267415	* * * - * *	Feed Reversing Lever Spring
276046	* * * - * *	Feed Reversing Shaft Crank Hinge Stud Oil Packing (Wick)
276160	* * * - * *	Feed Reversing Lever Handle
276171	* * * - * *	Feed Driving Eccentric Connection Hinge Pin with 244071
276174	* * * - * *	Feed Reversing Mechanism Support Link Hinge Stud
412078	* * * - * *	Feed Driving Rock Shaft Crank with 545139
412080	* * * - * *	Feed Reversing Lever Spring Collar with 544412 (2)
412081	* * * - * *	Feed Reversing Shaft complete 412082, 544336
412082	* * * - * *	Feed Reversing Shaft
412083	* * * - * *	Feed Reversing Lever Guide Roller Position Plate
412107	* * * - * *	Feed Reversing Lever
412108	- - * - * *	Feed Reversing Shaft Driving Stud
412116	- - - - - *	Feed Reversing Shaft Link with 544409
412117	- - - - - *	Feed Reversing Shaft Crank with 544335, 544409
412119	- - - - - *	Feed Reversing Mechanism Support Link with 544409
412122	- - - - - *	Stitch Position Stop
412166	- - - - - *	Stitch Position Stop complete 412122, 500182, 504507
412167	- - - - - *	Reverse Feed complete 267406, 276171, 412078, 412116, 412117, 412119, 508341, 544365, 545425-451
500182	- - - - - *	Stitch Position Stop Screw
504507	- - - - - *	Stitch Position Stop Screw Nut
508341	* * * - * *	Feed Reversing Shaft Crank Hinge Stud complete 276046, 514092
514092	* * * - * *	Feed Reversing Shaft Crank Hinge Stud
541186	* * * - * *	Feed Reversing Lever Handle Screw Nut
544321	* * * - * *	Feed Reversing Mechanism Support Link Hinge Stud Set Screw
544335	* * * - * *	Feed Reversing Shaft Crank Pinch Screw
544336	* * * - * *	Feed Reversing Shaft Driving Stud Set Screw
544340	* * * - * *	Feed Reversing Lever Hinge Screw
544342	* * * - * *	Feed Reversing Lever Guide Roller Screw
544348	* * * - * *	Feed Reversing Lever Handle Screw
544365	* * * - * *	Feed Driving Rock Shaft Crank Hinge Screw
544409	* * * - * *	Feed Driving Eccentric Connection Hinge Pin Set Screw
544409	* * * - * *	Feed Reversing Shaft Crank Hinge Stud Set Screw
544409	* * * - * *	Feed Reversing Shaft Crank Hinge Stud Set Screw
544412	* * * - * *	Feed Reversing Lever Spring Collar Set Screw (2)
545139	* * * - * *	Feed Driving Rock Shaft Crank Pinch Screw
545090	- - - - - *	Stitch Position Stop Set Screw (2)
545425-451	* * * - * *	Feed Driving Rock Shaft Crank Hinge Screw Nut



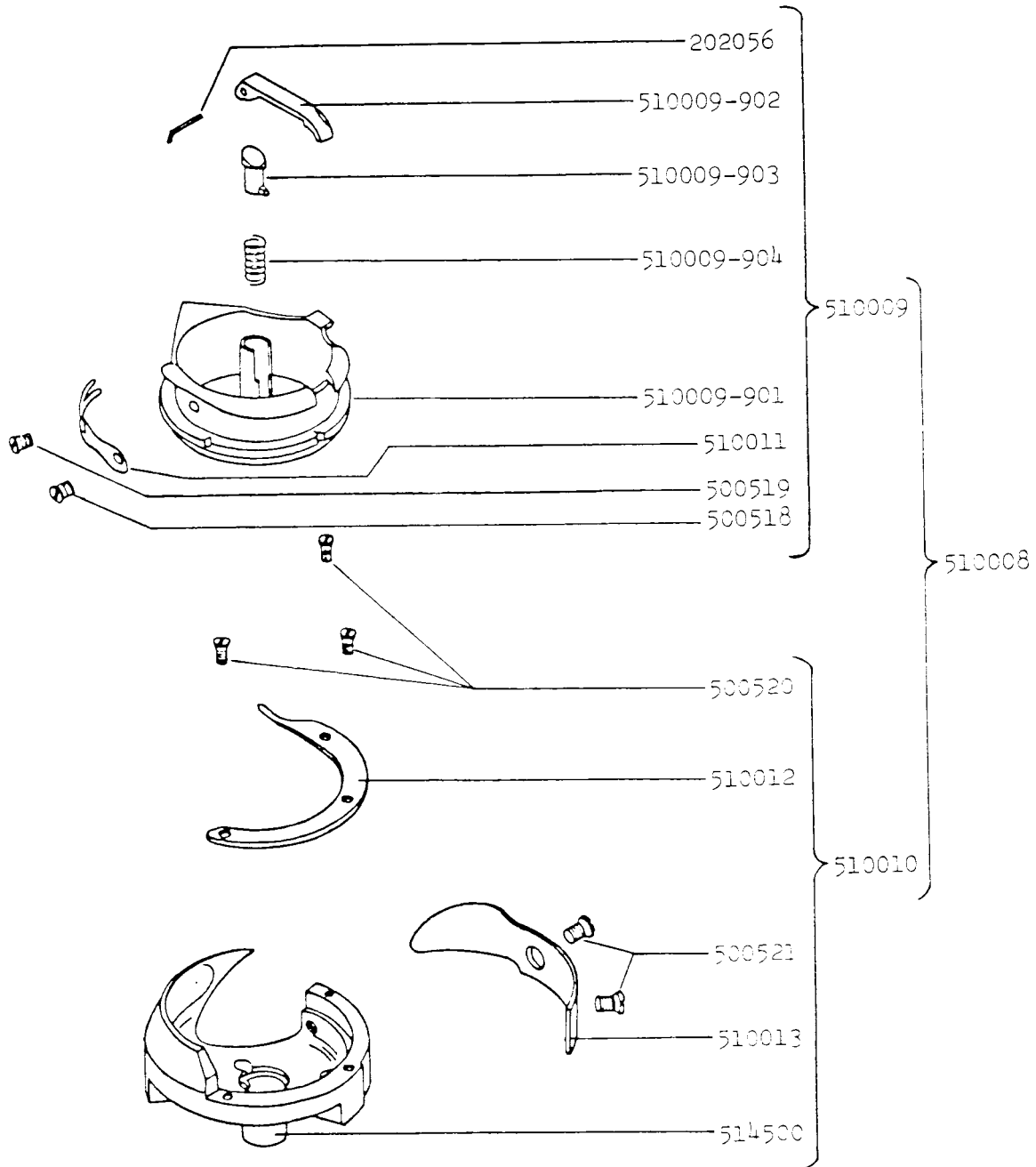
- 267 245
- 270 026
- 240 245



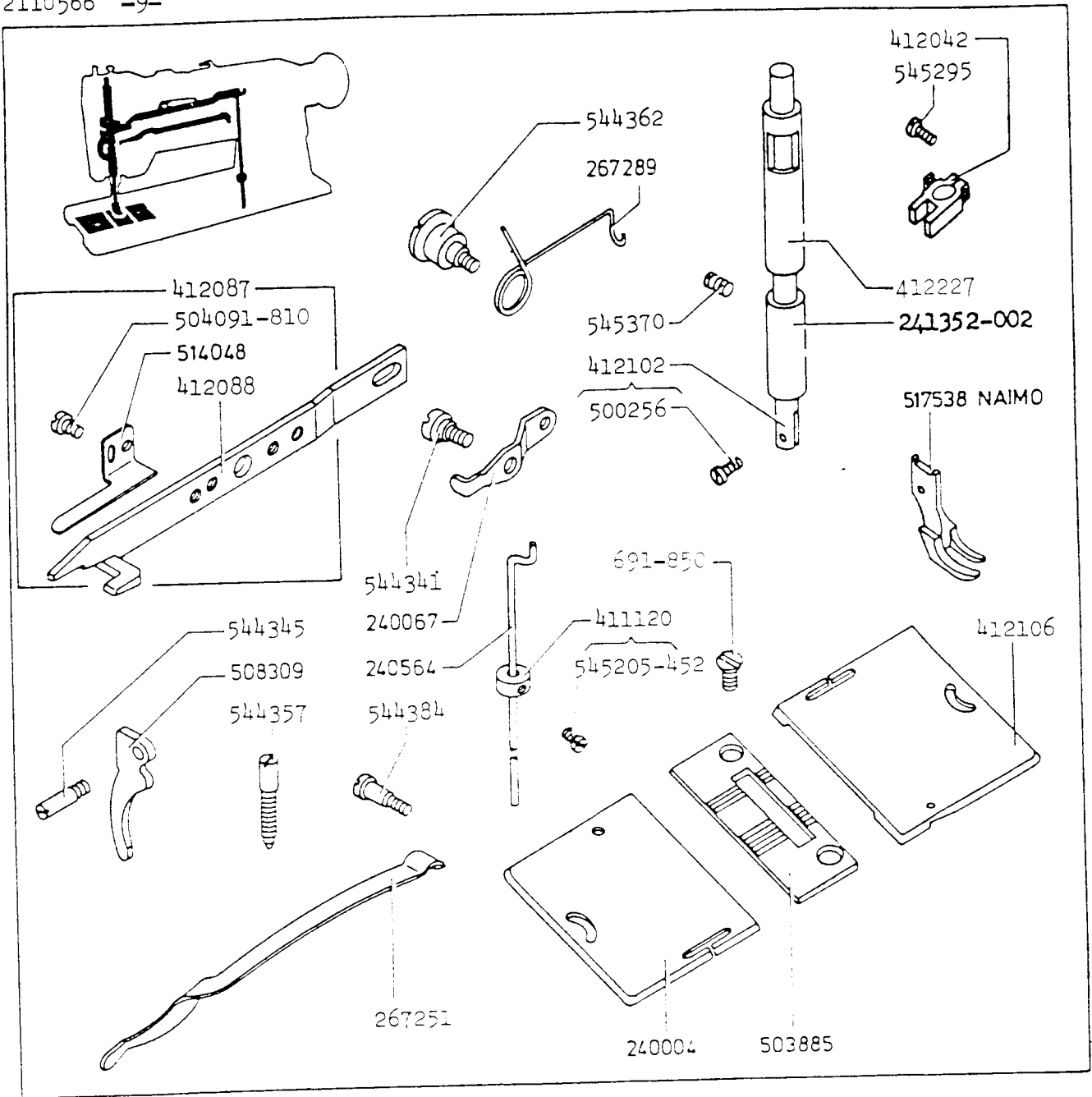
No.	212U141 442 211U157 165 166 566	Description
202253	* * * * *	Safty Clutch Belt Pulley Spring
240245	* * * * *	Feed Regulating Stud Retaining Spring
241763	* * * * *	Feed Driving Eccentric Friction Plate Screw Set Screw Packing (brass) (2)
244712	- - * * *	Hook Driving Shaft
244713	* * * * *	Hook Driving Shaft Ball Bearing
244760	- - * * *	Safty Clutch Belt Pulley with 202253
263567	* * * * *	Feed Driving Eccentric Friction Plate
267063	* * * * *	Hook Driving Shaft Ball Bearing Retaining Washer
267245	* * * * *	Feed Regulating Stud
268063	* * * * *	Feed Driving Eccentric Connection Needle Bearing
268064	* * * * *	Feed Driving Eccentric
268066	* * * * *	Feed Driving Eccentric Adjusting Disc Spring
270026	* * * * *	Feed Regulating Stud Spring
276025	- - * * *	Safty Clutch Driving Ball (7/32 in diameter) (3)
412031	- - * * *	Safty Clutch Complete 244760, 276025 (3), 412032, 514453, 514454 (3), 543802-014
412032	- - * * *	Safty Clutch Over Load Pulley with 544322 (2), 544331 (3)
412033	* * * * *	Hook Driving Shaft Ball Bearing Collar with 544325, 544329
412034	* * * * *	Hook Driving Gear with 544325, 544329
412073	- - - - *	Feed Driving Eccentric Complete 268064, 268066, 412073, 412074, 508464, 514453
412073	- - - - *	Feed Driving Flange with 241763 (2), 263567, 544338 (2), 544350 (2), 544410, 549247 (2)
412074	- - - - *	Feed Driving Eccentric Adjusting Disc Spring Collar with 544325 (2)
412098	* * * * *	Hook Driving Shaft Ball Bearing Collar Complete 244713, 412035
508464	- - - - *	Feed Driving Eccentric Adjusting Disc
508499	* * * - *	Feed Driving Eccentric Connection With 268063
514453	- - * * *	Safty Clutch Disc
514454	- - * * *	Safty Clutch Driving Ball Spring (3)
543802-014	- - * * *	Safty Clutch Over Load Pulley Retaining Ring
544322	- - * * *	Safty Clutch Over Load Pulley Set Screw (2)
544325	* * * * *	Feed Driving Eccentric Adjusting Disc Spring Collar Set Screw (2)
544325	* * * * *	Hook Driving Shaft Ball Bearing Collar Set Screw
544325	* * * * *	Hook Driving Gear Set Screw
544329	* * * * *	Hook Driving Shaft Ball Bearing Collar Position Screw
544329	* * * * *	Hook Driving Gear Position Screw
544331	- - * * *	Safty Clutch Over Load Pulley Adjusting Screw (3)
544338	* * * * *	Feed Driving Eccentric Friction Plate Screw (2)
544346	* * * * *	Hook Driving Shaft Ball Bearing Retaining Washer Screw (3)
544350	* * * * *	Feed Driving Flange Set Screw (1)
544410	* * * * *	Feed Driving Flange Position screw
549247	* * * * *	Feed Driving Eccentric Friction Plate Screw Set Screw (2)



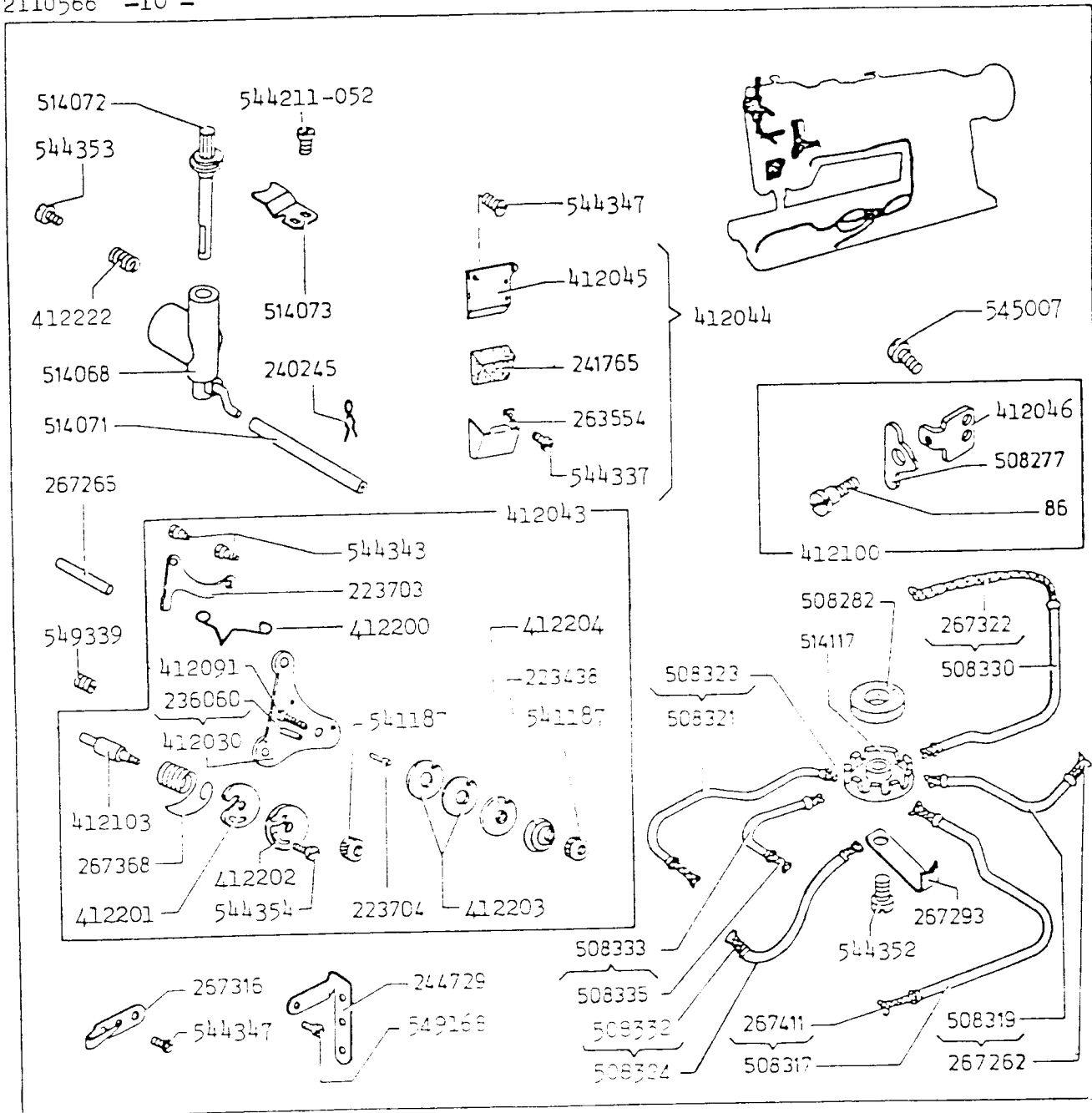
No.	212U141 442 211U157 165 166 566	Description
225585	* * * * *	Hook Saddle Screw Washer
224084	* * * - - *	Hook Saddle Oil Regulating Screw Check Screw Packing
267053	* * * - - *	Hook Ball Bearing
267139	* * * - - *	Pinch Sleeve (lower)
267200	* * * - - *	Hook Saddle Oil Reservoir
267212	* * * - - *	Hook Saddle Oil Reservoir Gasket
267370	* * * - - *	Bobbin Case Opener Driving Cam Shaft Bushing (lower)
267371	* * * - - *	Bobbin Case Opener Driving Cam Shaft Bushing (upper)
412-10	- - - - - *	Hook Shaft with 508156
412111	- - - - - *	Hook Driving Pinion (Spiral) with 544366 (2)
412112	* * * - - *	Bobbin Case Opener Cam Shaft
412113	* * * - - *	Bobbin Case Opener Driving Cam Shaft Gear (Spiral) with 544366 (2)
412114	- - - - - *	Bobbin Case Opener Crank Hinge Stud
412115	* * * - - *	Pinch Sleeve (upper)
412121	- - - - - *	Hook Shaft Oil Wick Holder complete 502516, 544363
412123	- - - - - *	Hook Saddle (right) complete 244084, 267053, 267200, 267212, 412111, 412112, 412113, 412114, 412124, 412125, 412221, 504010-452 (2), 514162, 514171, 514173 (2), 514213, 544346 (2), 544356 (2), 544358 (3), 544367, 544379 (8)
412124	* * * - - *	Hook Saddle (right) with 267370, 267371, 412236-900, 512727, 514165, 514166, 545080
412125	- - - - - *	Bobbin Case Opener Crank
412221	- - - - - *	Hook Shaft, Hook Shaft Oil Wick Holder complete 412110, 412121
412236-900	* * * - - *	Hook Saddle Oil Gauge Sleeve
412237	* * * - - *	Hook Saddle Oil Gauge
502516	- - - - - *	Hook Shaft Oil Wick
504010-452	* * * - - *	Hook Ball Bearing Retainer Screw (2)
508156	- - - - - *	Hook Shaft Parallel Pin
510007	- - - - - *	Bobbin
510020	- - - - - *	Bobbin Case Opener
512727	* * * - - *	Hook Saddle Oil Wick
514162	- - - - - *	Spacer
514165	* * * - - *	Hook Saddle Foam Cushion
514166	* * * - - *	Hook Shaft Bushing
514170	- - - - - *	Hook Spacer (7)
514171	* * * - - *	Hook Saddle Cover Plate
514173	* * * - - *	Hook Ball Bearing Retainer (2)
514213	* * * - - *	Bobbin Case Opener Link
544334	* * * * * *	Hook Saddle Screw
544346	* * * - - *	Hook Saddle Cover Plate Screw (2)
544356	* * * - - *	Bobbin Case Opener Crank Cap Screw
544356	* * * - - *	Bobbin Case Opener Link Cap Screw
544358	* * * - - *	Hook Saddle Oil Regulating Screw Check Screw
544358	* * * - - *	Bobbin Case Opener Crank Hinge Stud Set Screw
544358	* * * - - *	Bobbin Case Opener Crank Hinge Stud Set Screw Check Screw
544363	- - - - - *	Hook Shaft Oil Wick Holder
544364	* * * - - *	Pinch Sleeve Screw
544366	* * * - - *	Bobbin Case Opener Driving Cam Shaft Gear (Spiral) Set Screw (2)
544366	* * * - - *	Hook Driving Pinion (Spiral) Set Screw (2)
544367	* * * - - *	Hook Saddle Oil Regulating Screw
544379	* * * - - *	Hook Saddle Oil Reservoir Screw (8)
545080	* * * - - *	Hook Saddle Oil Stop Screw
549027	* * * * * *	Bobbin Case Opener Screw



No.	212U141 442 211U157 165 166 566	Description
202056	* * * * *	Bobbin Case Latch Pin
500518	- - - - *	Bobbin Case Tension Spring Screw
500519	- - - - *	Bobbin Case Tension Spring Regulating Screw
500520	- - - - *	Hook Gib Screw (3)
500521	- - - - *	Hook Needle Guard Screw (2)
510008	- - - - *	Hook and Bobbin Case complete 510009, 510010
510009	- - - - *	Bobbin Case complete 202056, 500518, 500519, 510009-901, 510009-902, 510009-903, 510009-904, 510011
510009-901	- - - - *	Bobbin Case Body
510009-902	- - - - *	Bobbin Case Latch
510009-903	- - - - *	Bobbin Case Latch Plunger
510009-904	- - - - *	Bobbin Case Latch Spring
510010	- - - - *	Hook complete 500520 (3), 500521 (2), 510012, 510013, 514500
510011	- - - - *	Bobbin Case Tension Spring
510012	- - - - *	Hook Gib
510013	- - - - *	Hook Needle Guard
514500	- - - - *	Hook Body

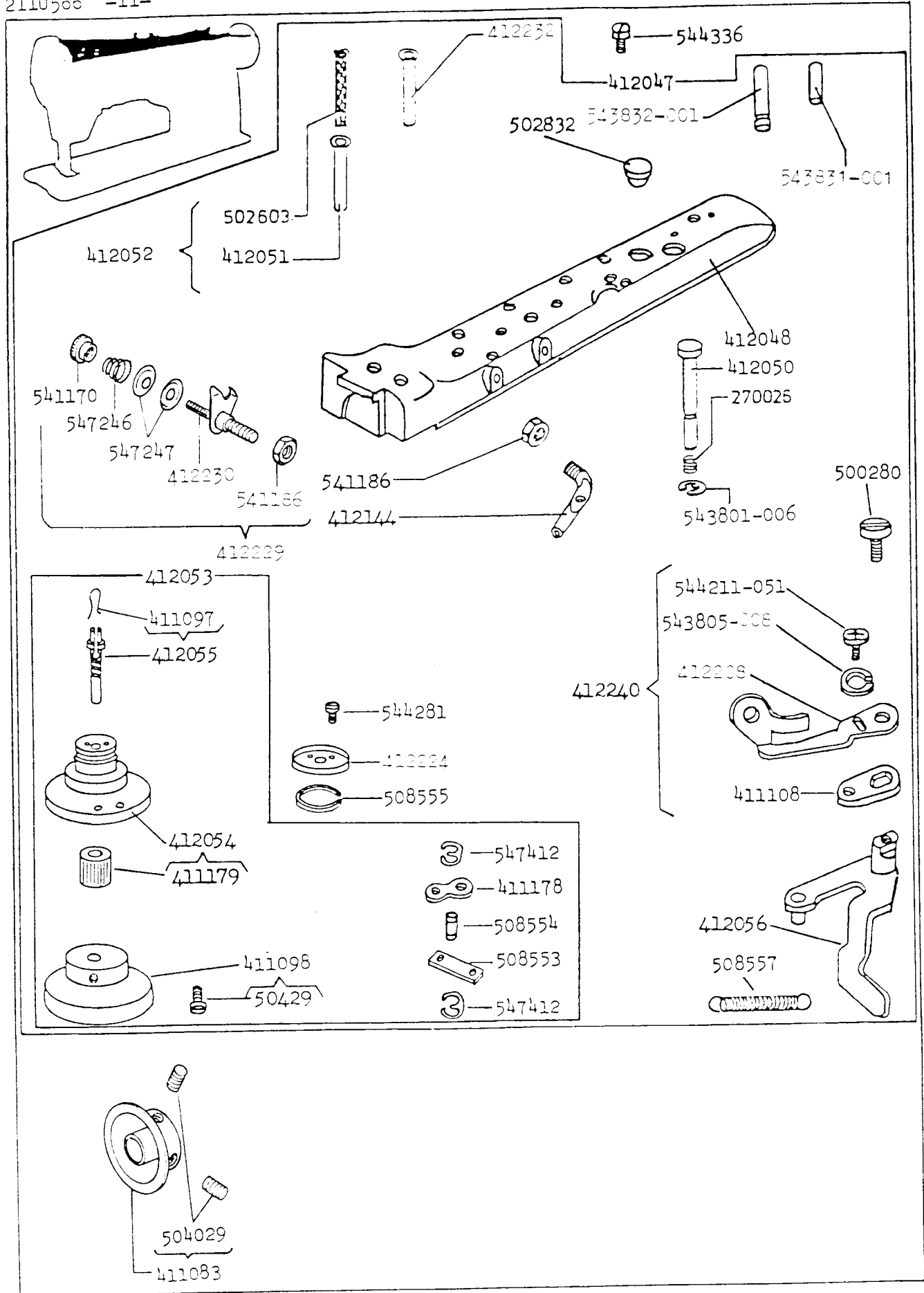


No.	2120141 442 2110157 165 166 566	Description
691-850	* * * * *	Throat Plate Screw (2)
240004	- - * * * *	Bed Slide (front)
240067	* * * * *	Knee Lifter Connection Lever
240564	* * * * *	Knee Lifter Connection Lever Lifting Rod
241352-002	- - - * * *	Presser Bar Bushing (lower)
267251	* * * * *	Presser Bar Spring (flat)
267289	* * * * *	Knee Lifter Lifting Lever Return Spring
411120	* * * * *	Knee Lifter Connection Lever Lifting Rod Stop Collar with 545205-452
412042	- - - * * *	Presser Bar Spring Bracket with 545295
412087	- - - * * *	Knee Lifter Lifting Lever Complete 412088, 504091-810, 514048
412088	- - - * * *	Knee Lifter Lifting Lever
412102	* * * * *	Presser Bar with 500256
412106	- - * * * *	Bed Slide (back)
412227	- - - * * *	Presser Bar Bushing (upper)
500256	* * * * *	Lifting Presser Foot Screw
503885	- - - * * *	Throat Plate
504091-810	- - - * * *	Tension Release Actuating Spring Screw
508309	- - - * * *	Presser Bar Lifter
514048	- - - * * *	Tension Release Actuating Spring
517538	- - - * * *	Lifting Presser Foot (naimo)
544341	* * * * *	Knee Lifter Connection Lever Hinge Screw
544345	* * * * *	Presser Bar Lifter Hinge Screw
544357	* * * * *	Presser Bar Spring Regulating Screw
544362	* * * * *	Knee Lifter Lifting Lever Pinch Screw
544384	* * * * *	Presser Bar Spring Support Screw
545205-452	* * * * *	Knee Lifter Connection Lever Lifting Rod Stop Collar Set Screw
545295	* * * * *	Presser Bar Spring Bracket Pinch Screw
545370	* * * * *	Presser Bar Bushing (lower) Set Screw

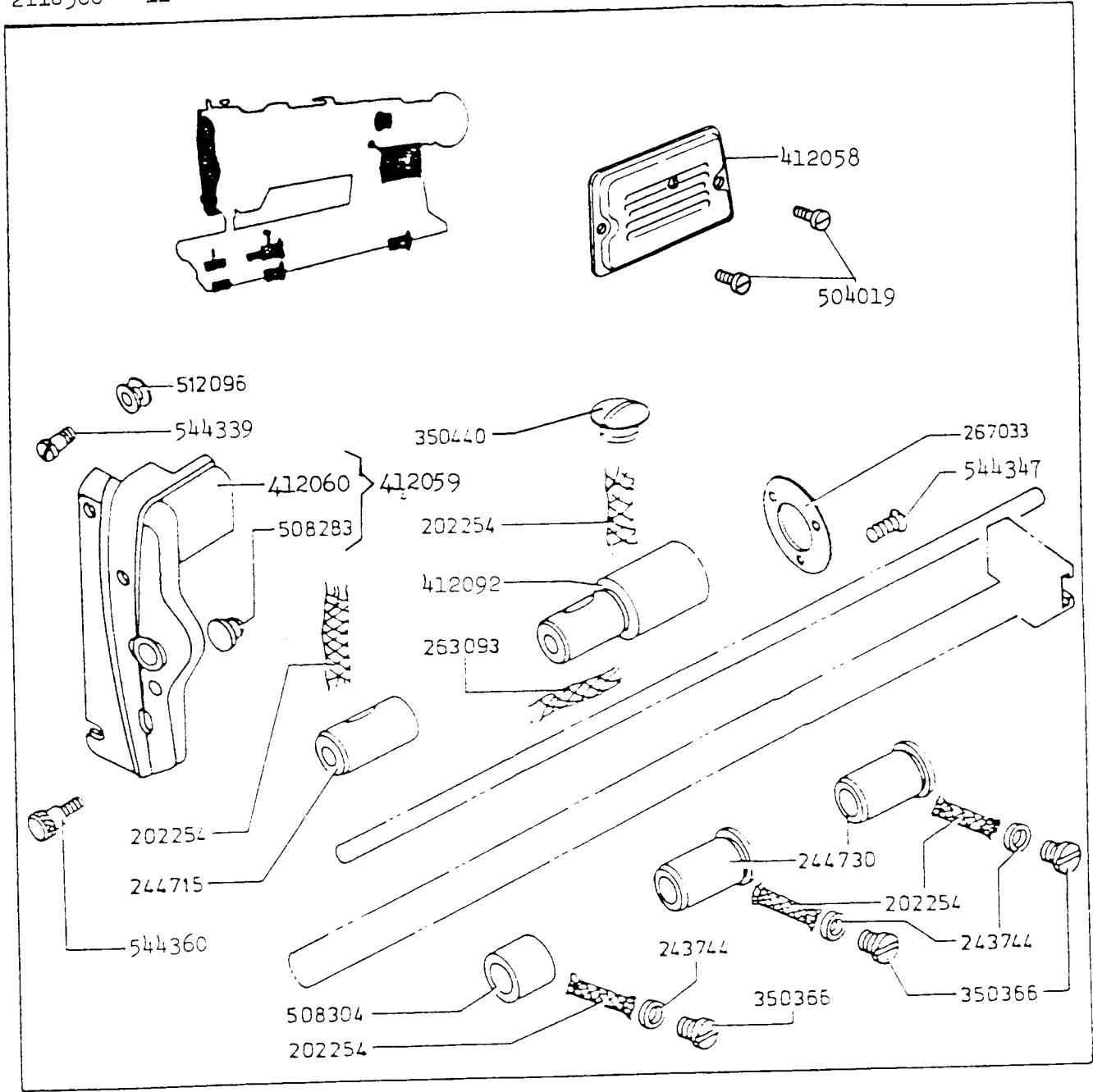


No.	212U141 412	211U157 165 166 566	Description
86	-	- * * *	Tension Release Bell Crank Hinge Screw
223438	-	- * * * *	Tension Spring
223703	*	* * * * *	Tension Release Lever
223704	*	* * * * *	Tension Release Plunger
236060	*	* * * * *	Tension Disc Position Pin
240245	-	- * * * *	Thread Lubricating Reservoir Oil Tube Clamp
241765	-	- * * * *	Thread Lubricator Oil Pad (felt)
244729	-	- * * * *	Thread Retainer

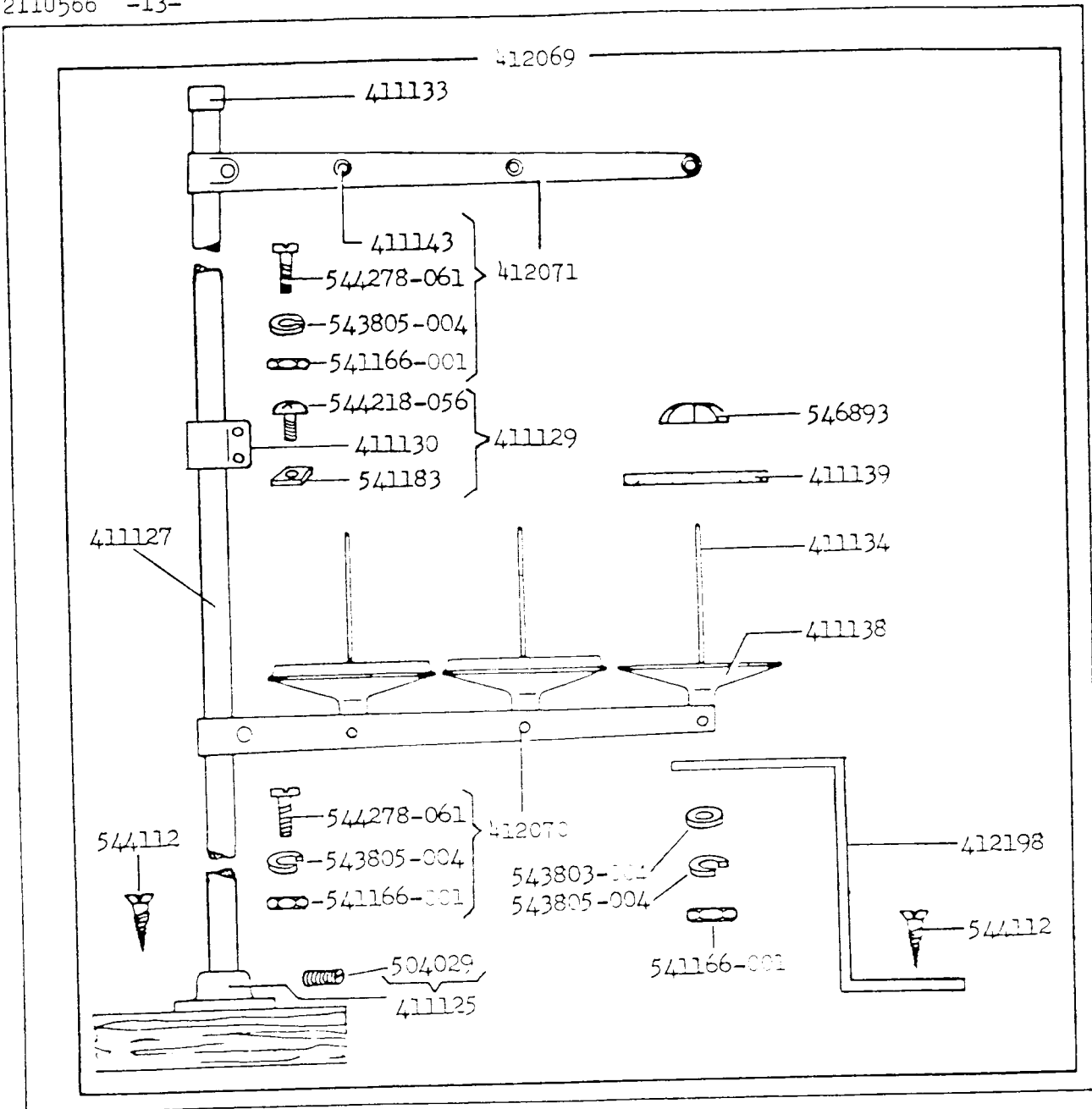
No.	212U141 442 211U157 165 166 566	Description
263554	- - * * * *	Thread Lubricator Oil Pad Holder
267262	- - * * * *	Feed Driving Rock Shaft Bushing Oil Tube Wick
267265	* * * * * *	Tension Release Lever Rod
267293	* * * * * *	Bed Oil Tube Clamp
267316	* * * * * *	Thread Guide
267322	* * * * * *	Bed Oil Supply Tube Oil Wick
267368	* * * * * *	Thread Controller Spring
267411	* * * * * *	Feed Driving Rock Shaft Bushing Oil Tube Wick
412030	- - * * * *	Tension Bracket with 236060
412043	- - * * * *	Tension Bracket Complete 223438, 223703, 223704, 267368, 412030, 412103, 412201, 412202, 412203, 412204, 544137 (2), 544343 (2), 544354 (2)
412044	- - * * * *	Thread Lubricator Oil Pad Holder Complete 241765, 263554, 412045, 544337 (2)
412045	- - * * * *	Thread Lubricator Plate
412046	- - - * * *	Tension Release Bracket
412091	* * * * * *	Tension Stud
412100	- - - * * *	Tension Release Bracket Complete 86, 412046, 508277
412103	* * * * * *	Thread Controller Stud
412200	* * * * * *	Tension Release Lever Spring
412201	* * * * * *	Thread Controller Spring Stop
412202	* * * * * *	Thread Controller Disc
412203	* * * * * *	Tension Disc (2)
412204	* * * * * *	Tension Release Washer
514076	- - - * * *	Thread Lubricating Reservoir Clamping Spring
508277	- - - * * *	Tension Release Bell Crank
508282	* * * * * *	Bed Oil Tube Clamp Oiling Felt
508317	- - * * * *	Feed Driving Rock Shaft Bushing Oil Tube with 267411
508319	- - * * * *	Feed Driving Rock Shaft Bushing Oil Tube with 267262
508321	- - * * * *	Hook Driving Shaft Bearing Left Oil Tube with 508323
508323	- - * * * *	Hook Driving Shaft Bearing Left Oil Tube Wick
508324	- - * * * *	Hook Saddle Bearing Oil Tube With 508332
508330	- - * * * *	Bed Oil Supply Tube With 267322
508331	- - * * * *	Hook Saddle Bearing Oil Tube Wick
508333	- - * * * *	Feed Driving Eccentric Connection Oil Tube With 508335
508335	- - * * * *	Feed Driving Eccentric Connection Oil Tube Wick
514068	- - - * * *	Thread Lubricating Reservoir
514071	- - - * * *	Thread Lubricating Reservoir Oil Tube
514072	- - - * * *	Thread Lubricating Reservoir Stud
514073	- - - * * *	Thread Lubricating Regulator Spring
514117	* * * * * *	Bed Oil Tube Clamp
5441187	* * * * * *	Tension Thumb Nut (2)
544211-052	- - - * * *	Thread Lubricating Regulator Spring Set Screw (2)
544337	- - * * * *	Thread Lubricator Oil Pad Holder Screw (2)
544343	* * * * * *	Tension Release Lever Hinge Stud (2)
544347	- - * * * *	Thread Lubricator Plate Screw (2)
544347	* * * * * *	Thread Guide Screw
544352	* * * * * *	Bed Oil Tube Clamp Screw
544353	- - - * * *	Thread Lubricating Reservoir Clamping Spring Screw
544354	- - * * * *	Thread Controller Disc Screw
545007	- - - * * *	Tension Release Bracket Screw (2)
549168	* * * * * *	Thread Retainer Screw
549339	* * * * * *	Tension Controller Stud Set Screw



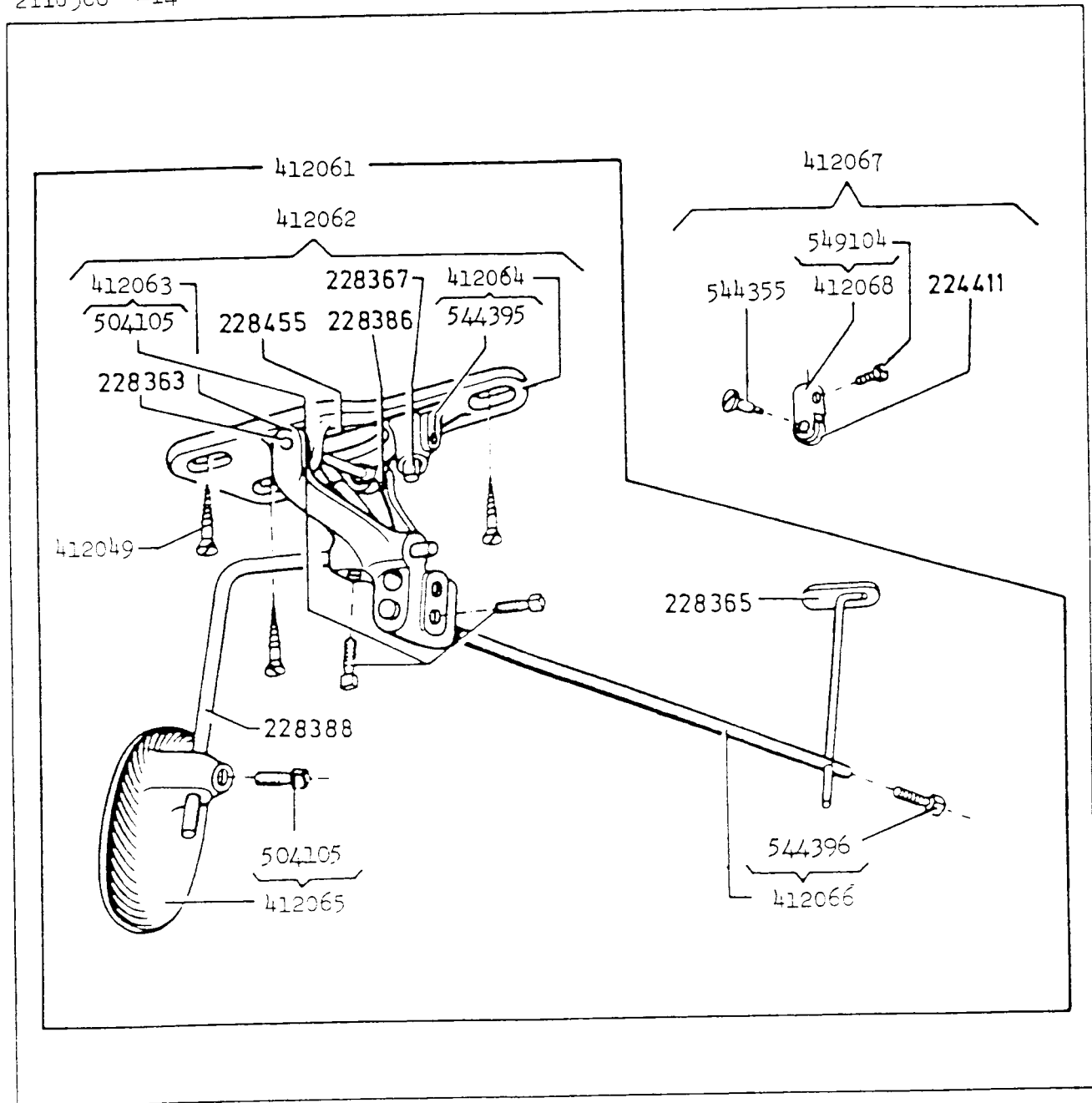
No.	212U141 442 211U157 165 166 566	Description
50429	* * * * *	Bobbin Winder Shaft Friction Wheel Set Screw (2)
270026	- - - * * *	Presser Bar Lifting Regulating Stud Spring
411083	* * * * *	Bobbin Winder Driving Wheel with 504029
411097	* * * * *	Bobbin Snap Spring
411098	* * * * *	Bobbin Winder Shaft Friction Wheel with 504029
411108	* * * * *	Bobbin Winder Shaft Bushing (Ecc.) Trip Lever (Short)
411178	* * * * *	Bobbin Winder Bushing (Ecc.) Connection Lever
411179	* * * * *	Bobbin Winder Shaft Bushing (Ecc.) Bearing
412047	- - - * * *	Arm Cover (Top) Complete 270026, 412048, 412050, 412052, 412053, 412056, 412144, 412224, 412229, 412232, 412240, 500280, 502832, 508555, 508557, 541186, 543801-006, 543831-001, 543832-001, 544281
412048	- - - * * *	Arm Cover (Top)
412050	- - - * * *	Presser Bar Lifting Regulating Stud
412051	- - - * * *	Arm Cover (Top) Oil Pipe
412052	- - - * * *	Arm Cover (Top) Oil Pipe Complete 412051, 502603
412053	* * * * *	Bobbin Winder Shaft Bushing (Ecc.) Complete 411098, 411178, 412054, 412055, 508553, 508554, 547412
412054	* * * * *	Bobbin Winder Shaft Bushing (Ecc.) with 411179
412055	* * * * *	Bobbin Winder Shaft with 411097
412056	* * * * *	Bobbin Winder Bushing (Ecc.) Rocking Lever with
412144	* * * * *	Thread Guide (Arm Top Cover)
412208	* * * * *	Bobbin Winder Shaft Bushing (Ecc.) Trip Lever (Long)
412224	* * * * *	Bobbin Winder Bushing (Ecc.) Thread Guard
412229	* * * * *	Bobbin Winder Tension Complete 412230, 541170, 541186, 547246, 547247
412230	* * * * *	Bobbin Winder Tension Stud with 547245-900
412232	- - - * * *	Arm Cover (Top) Oil Pipe
412240	* * * * *	Bobbin Winder Shaft Bushing (Ecc.) Trip Lever Complete 411108, 412208, 543805-008, 544211-051
500280	* * * * *	Bobbin Winder Shaft Bushing (Ecc.) Trip Lever Cap Screw
502603	- - - * * *	Arm Cover (Top) Oil Pipe Wick
502832	* * * * *	Arm Cover (Top) Plug
504029	* * * * *	Bobbin Winder Driving Wheel Set Screw (2)
508553	* * * * *	Bobbin Winder Bushing (Ecc.) Spring Shackle
508554	* * * * *	Bobbin Winder Bushing (Ecc.) Link Stud
508555	* * * * *	Bobbin Winder Bushing (Ecc.) Snap Ring
508557	* * * * *	Bobbin Winder Bushing (Ecc.) Spring
541170	* * * * *	Bobbin Winder Tension Nut
541186	* * * * *	Thread Guide (Arm Top Cover) Lock Nut
541186	* * * * *	Bobbin Winder Tension Lock Nut
543801-006	- - - * * *	Presser Bar Lifting Regulating Stud Retaining Washer
543805-008	* * * * *	Bobbin Winder Shaft Bushing (Ecc.) Trip Lever Screw Washer
543831-001	* * * * *	Bobbin Winder Bushing (Ecc.) Rocking Lever Stop Pin
543832-001	* * * * *	Bobbin Winder Shaft Bushing (Ecc.) Coil Spring Stud
544211-051	* * * * *	Bobbin Winder Shaft Bushing (Ecc.) Trip Lever Screw
544281	* * * * *	Bobbin Winder Shaft Bushing (Ecc.) Thread Guard Screw (2)
544336	* * * * *	Arm Cover (Top) Screw (6)
547246	* * * * *	Bobbin Winder Tension Spring
547247	* * * * *	Bobbin Winder Tension Disc (2)
547412	* * * * *	Bobbin Winder Shaft Bushing (Ecc.) Link Lock Washer (2)



No.	212U141 442 211U157 165 166 566	Description
202254	* * * * *	Bed Oil Wick (5)
243744	* * * * *	Bed Oil Stop Screw Gasket (3)
244715	- - * * * *	Hook Driving Shaft Bushing (Left)
244730	* * * * *	Feed Driving Rock Shaft Bushing (Center and Back) (2)
263093	* * * * *	Bed Oil Wick
267033	* * * * *	Feed Driving Eccentric Connection Friction Washer
350366	* * * * *	Bed Oil Stop Screw (3)
350440	* * * * *	Bed Oil Screw
412058	* - * * * *	Arm Cover (Side)
412059	- - - * * *	Face Plate Complete 412060, 508283
412060	- - - * * *	Face Plate Body
412092	- - * * * *	Hook Driving Shaft Bushing (Center)
504019	* * * * *	Arm Cover (Side) Screw (2)
508283	* - - * * *	Face Plate Plug
508304	* * * * *	Feed Driving Rock Shaft Bushing (Front)
512096	- - - * * *	Face Plate Hinge Screw Spring Washer
544339	- - - * * *	Face Plate Hinge Screw
544347	* * * * *	Feed Driving Eccentric Connection Friction Washer Screw (3)
544360	- - - * * *	Face Plate Clamping Screw

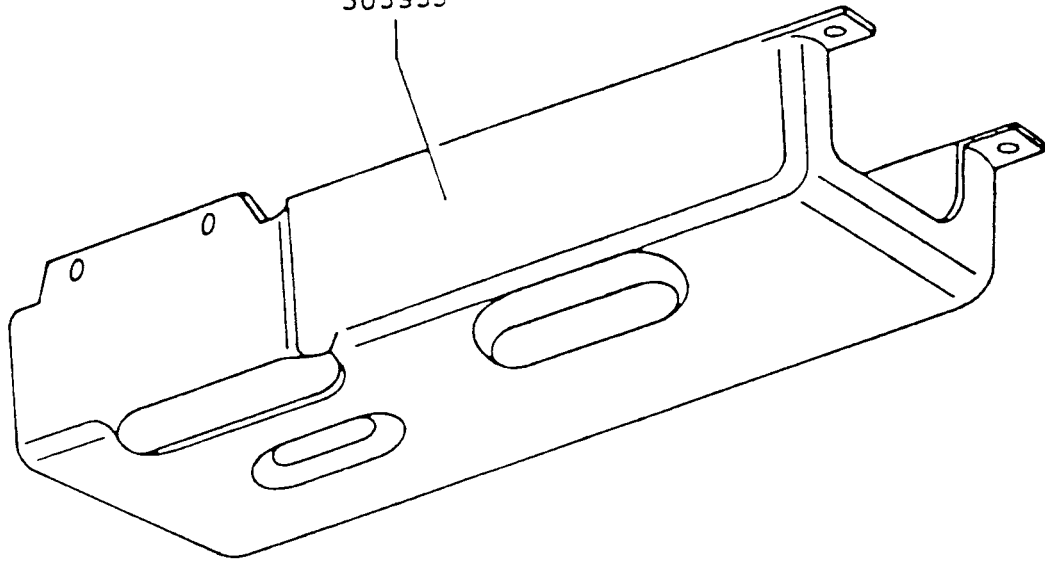


No.	212U141 442 211U157 165 166 566	Description
411125	* * * * *	Thread Unwinder Foot With 504029
411127	* * * * *	Thread Unwinder Rod (2)
411129	* * * * *	Thread Unwinder Rod Connection Complete 411130, 541183, 544218-056
411130	* * * * *	Thread Unwinder Rod Connection (2)
411133	* * * * *	Thread Unwinder Rod Cap
411134	* * * * *	Thread Unwinder Spool (3)
411138	* * * * *	Thread Unwinder Spool Carrier Plate (3)
411139	* * * * *	Thread Unwinder Spool Cushion (3)
411143	* * * * *	Thread Unwinder Thread Guide Bushing (3)
4112069 42070	* * * * *	Thread Unwinder Complete 411125, 411127, 411129, 411133, 411138, 411139, 412070, 412071, 544112, 546893
42070	* * * * *	Thread Unwinder Spool Carrier Arm With 541166-001, 543805-004, 544278-061
42071	* * * * *	Thread Unwinder Thread Guide With 411143, 541166-001, 543805-004, 544278-061
42198	* * * * *	Thread Unwinder Spool Carrier Arm Holder Plate
504029	* * * * *	Thread Unwinder Rod Set Screw (2)
541166-001	* * * * *	Thread Unwinder Spool Nut (3)
541166-001	* * * * *	Thread Unwinder Spool Carrier Arm Screw Nut
541166-001	* * * * *	Thread Unwinder Thread Guide Nut
541183	* * * * *	Thread Unwinder Rod Connection Screw Nut (2)
543803-004	* * * * *	Thread Unwinder Spool Washer (3)
543805-004	* * * * *	Thread Unwinder Spool Spring Washer (3)
543805-004	* * * * *	Thread Unwinder Spool Carrier Arm Screw Spring Washer
543805-004	* * * * *	Thread Unwinder Thread Guide Spring Washer (3)
544112	* * * * *	Thread Unwinder Wood Screw (3)
544112	* * * * *	Thread Unwinder Spool Carrier Arm Holder Plate Wood Screw
544218-056	* * * * *	Thread Unwinder Rod Connection Screw (2)
544278-061	* * * * *	Thread Unwinder Spool Carrier Arm Screw
544278-061	* * * * *	Thread Unwinder Thread Guide Screw
546893	* * * * *	Thread Unwinder Spool Holder (3)

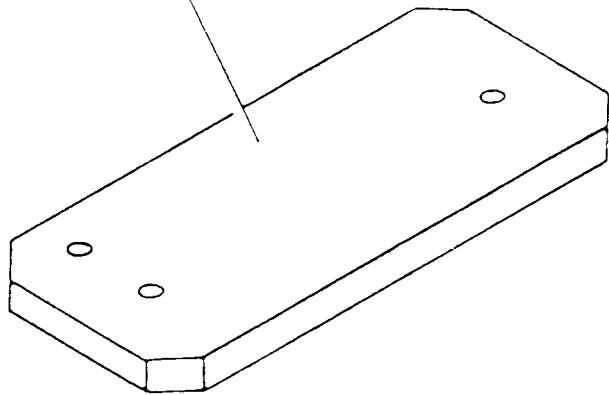


No.	2120141 442 2110157 165 166 566	Description
224411	* * * * *	Knee Lifter Connection Lever Lifting Rod Roller
228363	* * * * *	Knee Lifter Rock Lever Hinge Pin
228365	* * * * *	Knee Lifter Rock Lever Rod
228367	* * * * *	Knee Lifter Rock Lever Stop Stud
228386	* * * * *	Knee Lifter Rock Lever Spring
228388	* * * * *	Knee Lifter Rock Lever Knee Plate Arm
228455	* * * * *	Knee Lifter Rock Lever Position Spring
412049	* * * * *	Wood Screw (7/8 Inch, No. 12) (3)
412061	* * * * *	Knee Lifter Rock Lever Complete 228365, 228388, 412049 (3), 412062, 412065, 412066
412062	* * * * *	Knee Lifter Rock Lever Bracket Complete 228363, 228367, 228386, 228455, 412063, 412064
412063	* * * * *	Knee Lifter Rock Lever With 504105 (2)
412064	* * * * *	Knee Lifter Rock Lever Bracket With 544395
412065	* * * * *	Knee Lifter Rock Lever Knee Plate With 504105
412066	* * * * *	Knee Lifter Rock Lever Extension With 544396
412067	* * * * *	Knee Lifter Connection Lever Lifting Rod Roller Complete 224411, 412063, 544355
412068	* * * * *	Knee Lifter Connection Lever Lifting Rod Roller Bracket With 549104
504105	* * * * *	Knee Lifter Rock Lever Extension Set Screw
504105	* * * * *	Knee Lifter Rock Lever Knee Plate Arm Set Screw
504105	* * * * *	Knee Lifter Rock Lever Knee Plate Set Screw
544355	* * * * *	Knee Lifter Connection Lever Lifting Rod Roller Hinge Screw
544395	* * * * *	Knee Lifter Rock Lever Stop Stud Set Screw
544396	* * * * *	Knee Lifter Rock Lever Rod Set Screw
549104	* * * * *	Knee Lifter Connection Lever Lifting Rod Roller Pinch Screw

503933



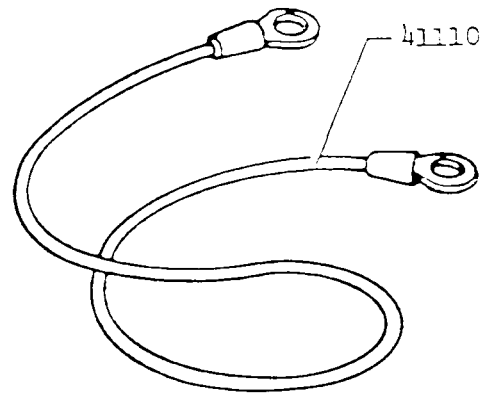
503929



511606

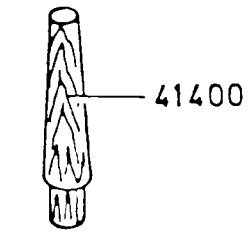
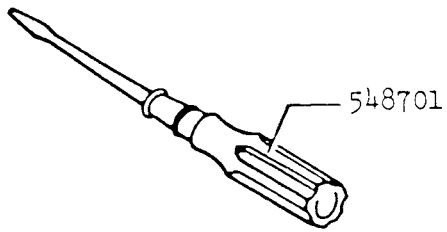
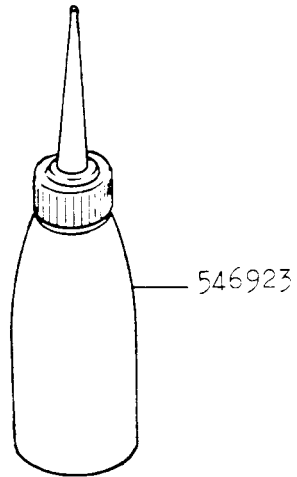
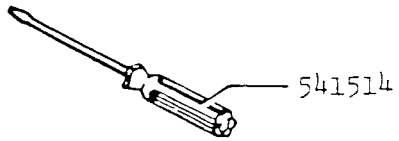
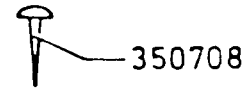
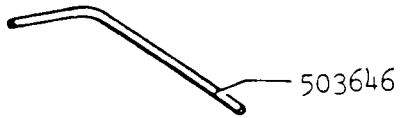
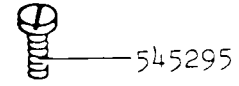
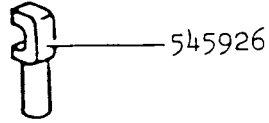
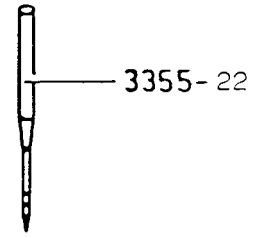
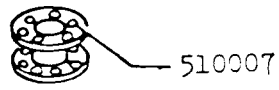
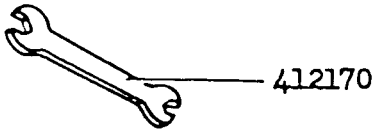


543805-003



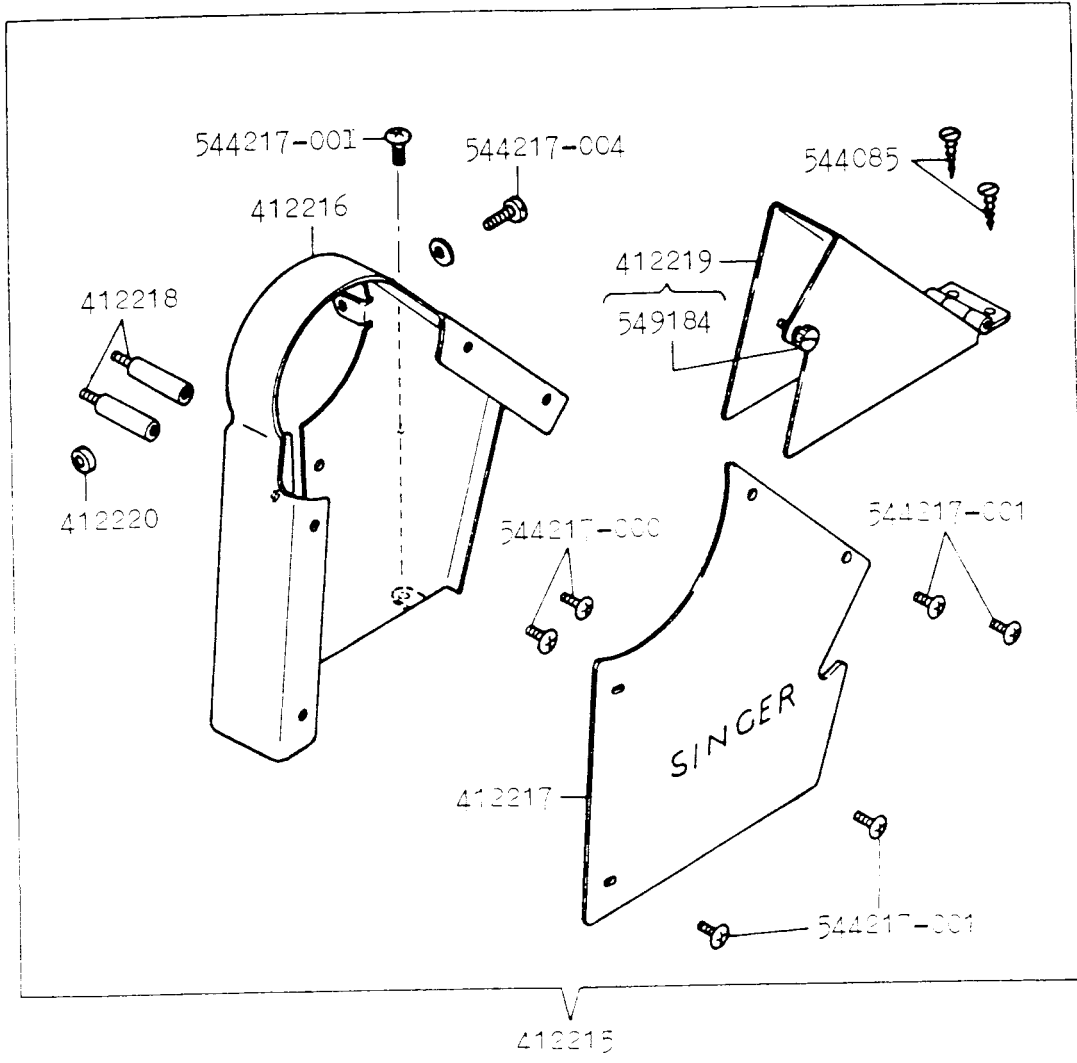
411109

No.	212U141 442 211U157 165 166 566	Description
411109	* - * * * *	Machine Grounding Wire
503929	* * * * * *	Knee Lifter Base
503933	* * * * * *	Drip Pan
511606	* * * * * *	Knee Lifter Base Wood Screw (3)
543805-003	* - * * * *	Machine Grounding Wire Lock Washer



No.	212U141 442 211U157 165 166 566	Description
3355-22	- - - * * *	Needle (5)
41400	* * * * * *	Machine Rest Pin (wood)
350708	* * * * * *	Drip Pan Screw Nail (7)
412170	* * * * * *	Wrench
503646	* * * * * *	Wrench (3/32 inch, hexagon)
510007	- - - - *	Bobbin (2)
541514	* * * * * *	Screw Driver
544361	- - * * * *	Bed Slide Thumb Screw
545295	* * * * * *	Attachment Screw
545926	- - * * * *	Hinge Connection (2)
546923	- - - * * *	Oiler (130CC, A Type)
548701	* * * * * *	Screw Driver

OPTIONAL PARTS



No.	212U141 442 211U157 165 166 566	Description
		<u>OPTIC:</u>
412215	* * * * *	Belt Guard Cpl. 412216, 412217, 412218 (2), 412219, 412220, 544085 (2), 544217-001 (7), 544217-004
412216	* * * * *	Belt Guard
412217	* * * * *	Belt Guard Plate
412218	* * * * *	Belt Guard Screw Stud (2)
412219	* * * * *	Belt Guard (lower) with 549184
412220	* * * * *	Belt Guard Screw Collar
544085	* * * * *	Belt Guard (lower) Wood Screw (2)
544217-001	* * * * *	Belt Guard Screw (3)
544217-001	* * * * *	Belt Guard Plate Screw (4)
544217-004	* * * * *	Belt Guard Screw (long)
549184	* * * * *	Belt Guard (lower) Thumb Screw

Form U 3223 (681)
Part No. 543230-002
Printed in Japan