

ILLUSTRATED

PARTSLIST

FOR

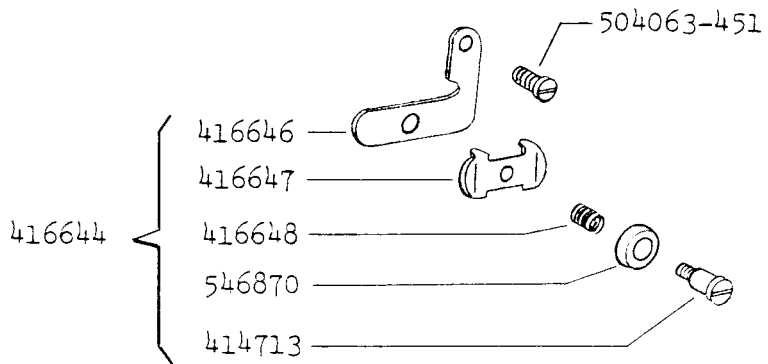
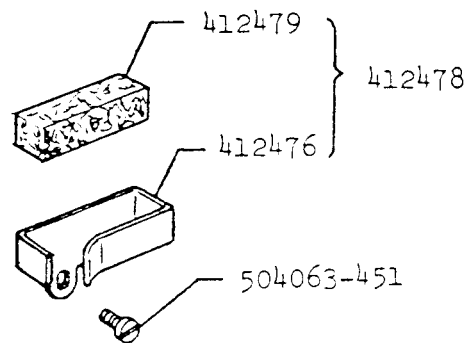
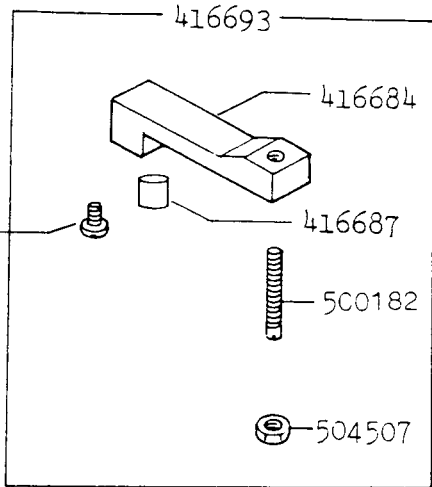
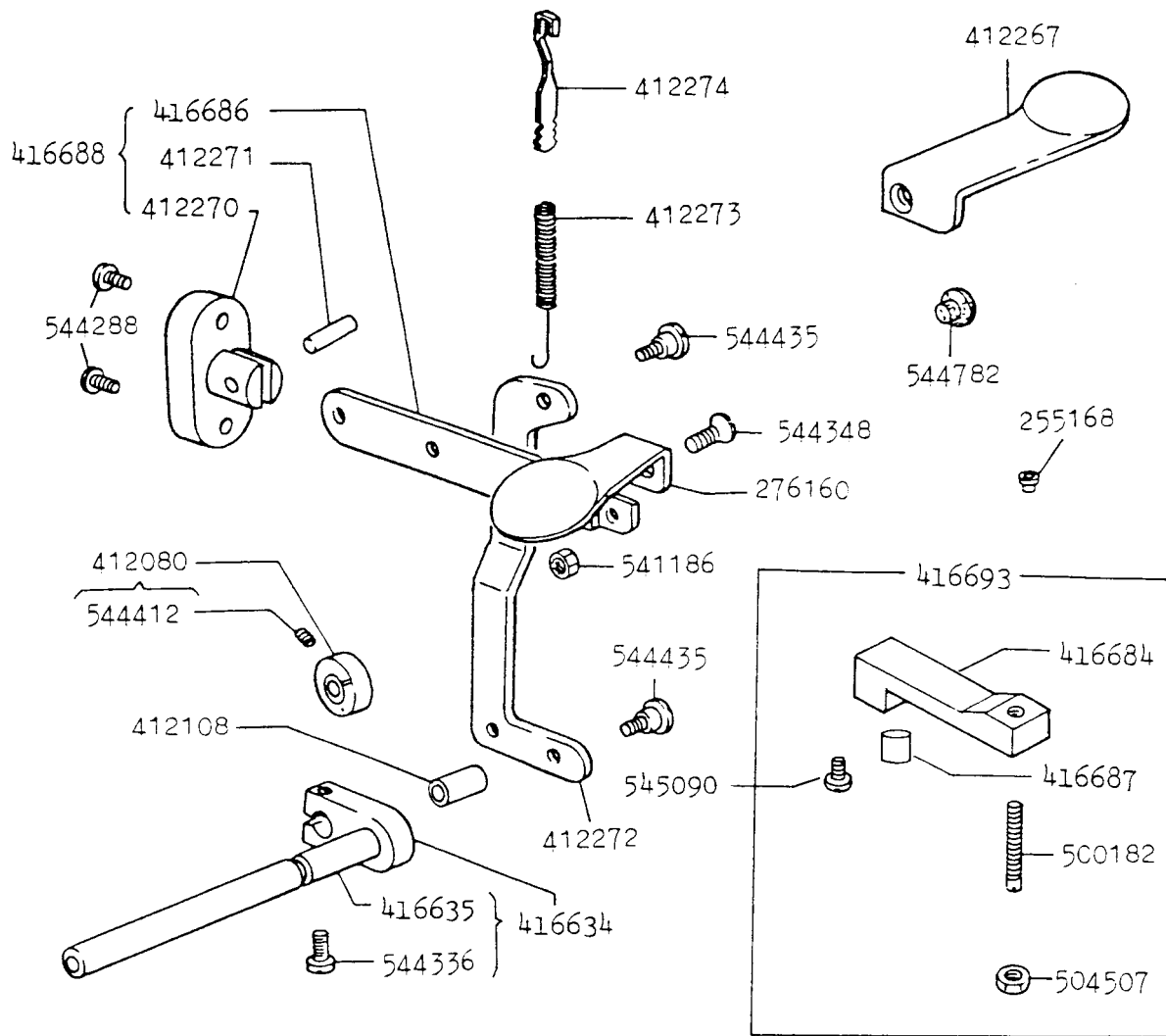
SINGER*

MACHINE

211U567B

Insert this parts list in place of page 5, 7, 8, 10 and 11 of Parts List for 211U566A for complete Parts List of 211U567B Machine.

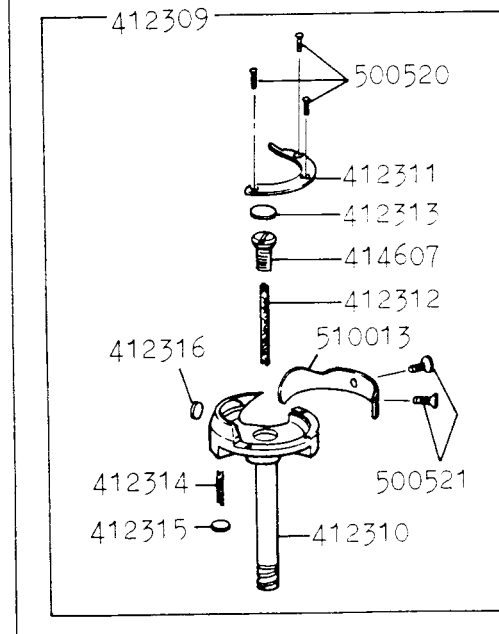
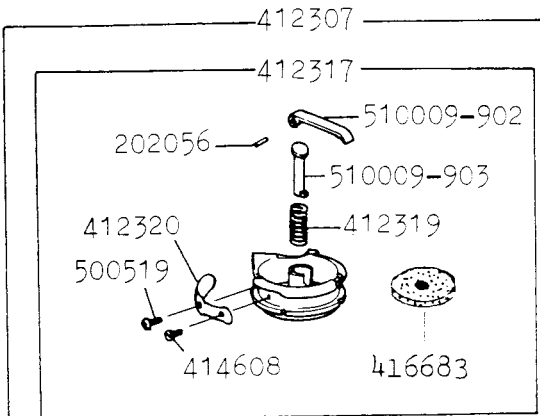
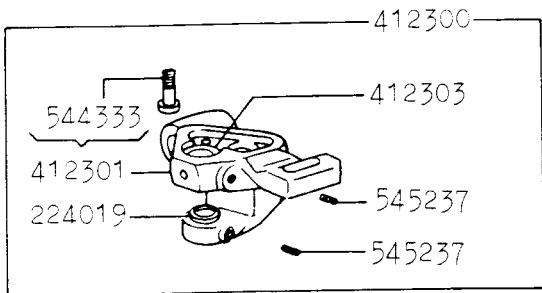
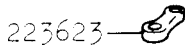
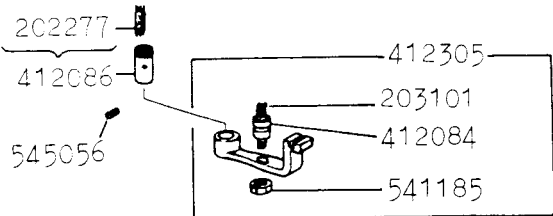
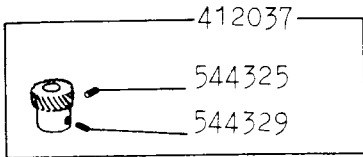
* A Trademark of THE SINGER COMPANY
Copyright © 1984 THE SINGER COMPANY
All Rights Reserved Throughout The World



No.	211U57A 211U65A 211U66A 211U566A 211U567B	Description
255168	* - * * *	Bed Oil Cap (2)
276160	* - * * *	Feed Reversing Lever Handle
412080	* - * * *	Feed Reversing Shaft Collar with 544412 (2)
412108	- - - * *	Feed Reversing Shaft Driving Shaft
412267	* - * * *	Feed Reversing Lever Handle (Optional)
412270	* - * * *	Feed Reversing Lever Bracket
412271	* - * * *	Feed Reversing Lever Hinge Pin
412272	* - * * *	Feed Reversing Lever Link
412273	* - * * *	Feed Reversing Lever Spring
412274	* - * * *	Feed Reversing Lever Spring Hook
412476	* * * * *	Thread Lubricator Oil Pad Holder
412478	* * * * *	Thread Lubricator Oil Pad Holder Complete
412479	* * * * *	Thread Lubricator Oil Pad
414713	- - - - *	Needle Thread Nipper Hinge Screw
416634	* - * * *	Feed Reversing Shaft Complete 416635, 544336
416635	* - * * *	Feed Reversing Shaft
416644	- - - - *	Needle Thread Nipper Complete
416646	- - - - *	Needle Thread Nipper Bracket
416647	- - - - *	Needle Thread Nipper Thread Guide
416648	- - - - *	Needle Thread Nipper Spring
416684	- - - * *	Stitch Position Stop
416685	- - - - *	Bobbin Winder Tension Spring (Attachment)
416686	- - - - *	Feed Reversing Lever
416687	- - - - *	Stitch Position Stop Cushion
416688	- - - - *	Feed Reversing Lever Complete 416686, 412270, 412271
416693	- - - * *	Stitch Position Stop Complete 416684, 416687, 500182, 504507
500182	- - - * *	Stitch Position Stop Screw
504063-451	* * * * *	Thread Lubricator Oil Pad Holder Screw
504063-451	- - - - *	Needle Thread Nipper Screw
504507	- - - * *	Stitch Position Stop Screw Nut
541186	* - * * *	Feed Reversing Lever Handle Screw Nut
544288	* - * * *	Feed Reversing Lever Bracket Screw (2)
544336	* - * * *	Feed Reversing Shaft Driving Stud Pinch Screw
544348	* - * * *	Feed Reversing Lever Handle Screw
544412	* - * * *	Feed Reversing Shaft Collor Set Screw (2)
544435	* - * * *	Feed Reversing Lever Hinge Screw (2)
544782	* - * * *	Arm Cap (Rear)
545090	- - - * *	Stitch Position Stop Set Screw (2)
546870	- - - - *	Needle Thread Nipper Spring Cap



412299



No.	211U57A 211U65A 211U66A 211U566A 211U567B	Description
202056	* * * * *	Bobbin Case Latch Pin
202277	- * * - *	Bobbin Case Opener Lever Hinge Stud Oil Packing Wick
203101	- * * - *	Bobbin Case Opener Lever Driving Screw Stud Oil Packing Wick
223623	- * * - *	Bobbin Case Opener Lever Link
224019	- * * - *	Hook Bushing (lower)
224022	- * * - *	Hook Driving Pinion Thrust Washer
225585	* * * * *	Hook Saddle Screw Washer
412037	- * * - *	Hook Driving Pinion with 544325, 544329
412084	- * * - *	Bobbin Case Opener Lever Driving Screw Stud
412086	- * * - *	Bobbin Case Opener Lever Hinge Stud
412299	- - - - *	Hook Saddle and Hook Complete 223623, 224022, 412037, 412086, 412300, 412304, 412305, 412307, 545056, 549027
412300	- - - - *	Hook Saddle Complete 224019, 412301, 412303, 545237 (2)
412301	- - - - *	Hook Saddle with 544333
412303	- - - - *	Hook Bushing (upper)
412304	- - - - *	Bobbin Case Opener
412305	- - - - *	Bobbin Case Opener Lever with 203101, 412084, 541185
412307	- - - - *	Hook and Bobbin Case Complete 412309, 412307
412309	- - - - *	Hook Complete 412310, 412311, 412312, 412313, 412314, 412315, 412316, 414607, 500520, 500521, 510013
412310	- - - - *	Hook Body
412311	- - - - *	Hook Gib
412312	- - - - *	Hook Shaft Oil Wick
412313	- - - - *	Hook Shaft Oil Cap
412314	- - - - *	Hook Oil Wick
412315	- - - - *	Hook Oil Wick Cap
412316	- - - - *	Hook Oil Hole Cap
412317	- - - - *	Bobbin Case with 202056, 412319, 412320, 414608, 416683, 500519, 510009-902, 510009-903
412319	- - - - *	Bobbin Case Latch Spring
412320	- - - - *	Bobbin Case Tension Spring
414607	- - - - *	Hook Shaft Oil Wick Holder
414608	- - - - *	Bobbin Case Tension Spring Screw
416683	- - - * *	Bobbin Case Washer
500519	- - - * *	Bobbin Case Tension Spring Regulating Screw
500520	- - - * *	Hook Gib Screw (3)
500521	- - - * *	Hook Needle Guard Screw (2)
510007	- - - * *	Bobbin
510009-902	- - - * *	Bobbin Case Latch
510009-903	- - - * *	Bobbin Case Latch Plunger
510013	- - - * *	Hook Needle Guard
541185	- - - * *	Bobbin Case Opener Lever Driving Screw Stud Nut
544325	- * * - *	Hook Driving Pinion Set Screw
544329	- * * - *	Hook Driving Pinion Position Screw
544333	- * * - *	Hook Saddle Pinch Screw
544334	* * * * *	Hook Saddle Screw
545056	- * * - *	Bobbin Case Opener Lever Hinge Stud Set Screw
545237	- * * - *	Hook Bushing (lower) Set Screw
545237	- * * - *	Hook Bushing (upper) Set Screw
549027	* * * * *	Bobbin Case Opener Screw

Form U3527 (784)
Part No. 409863-002
Printed in Japan