

SINGER
212G440,G441

ILLUSTRATED PARTS LIST for **SINGER**

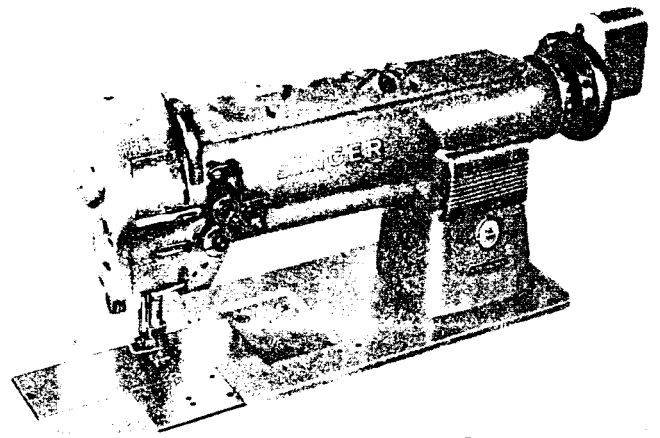
MACHINE

212 G 440-01

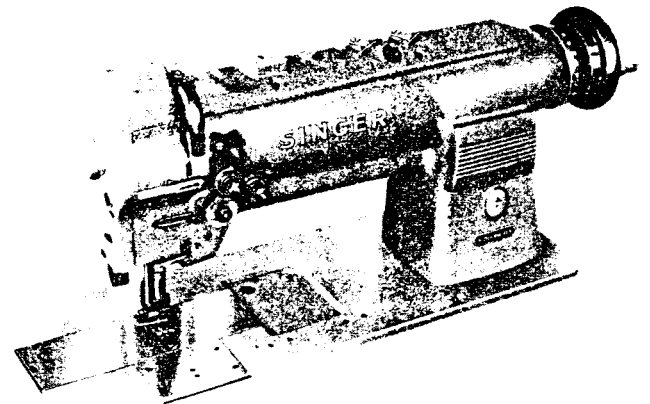
212 G 440-02

212 G 441-01

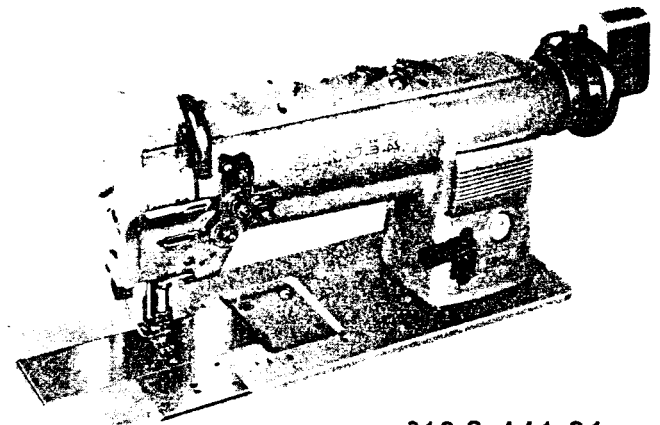
212 G 441-02



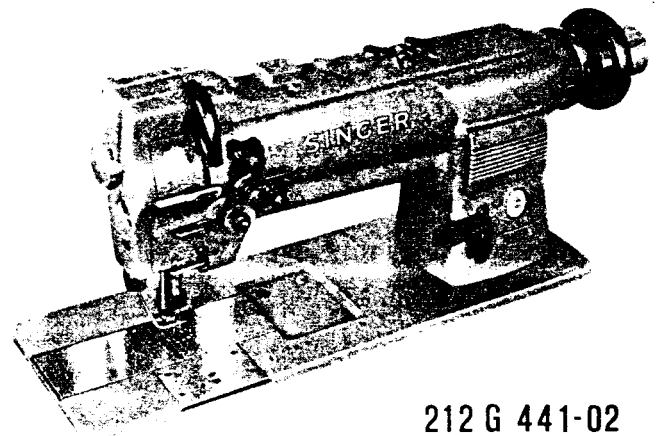
212 G 440-01



212 G 440-02



212 G 441-01



212 G 441-02

PARTS FOR MACHINE CLASS 212

(-01 = USA, -02 = EUROPE)

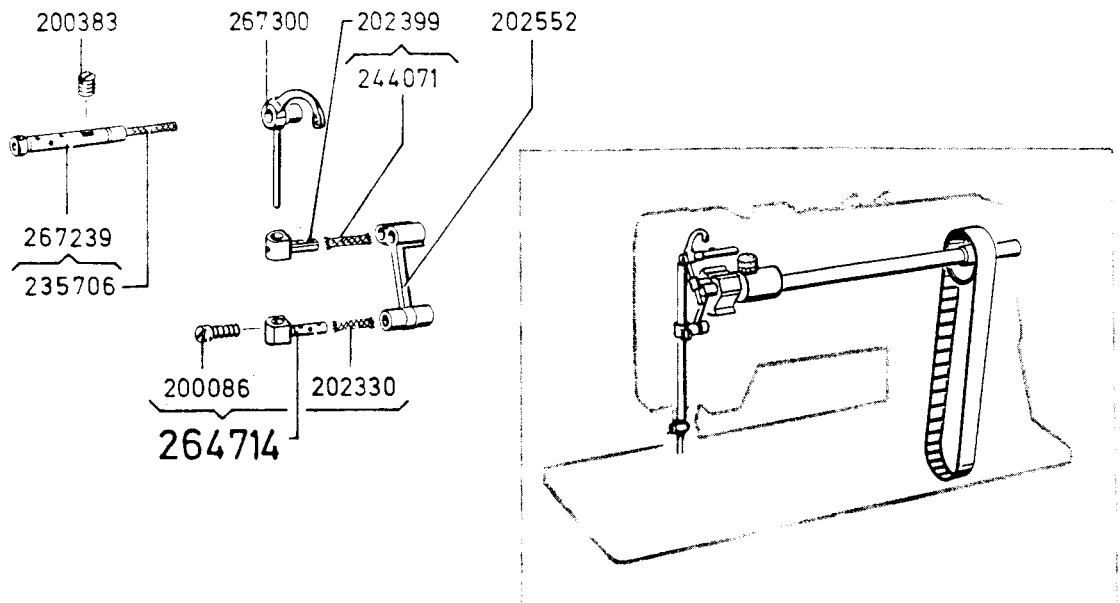
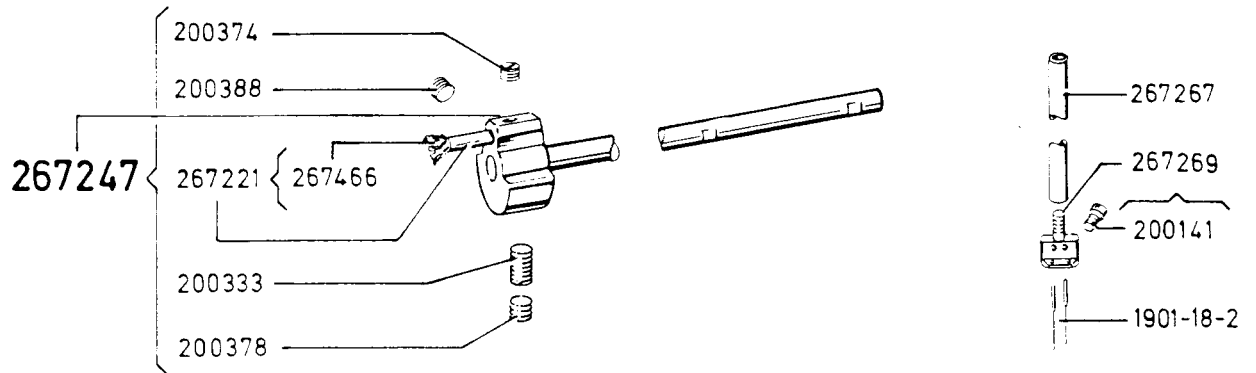
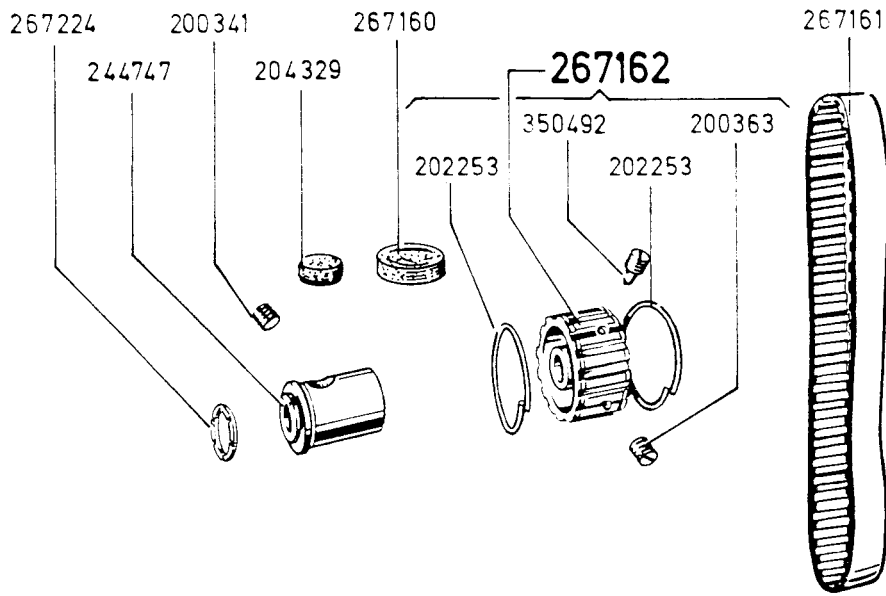
PART NO.	G 440		G 441		NAME
	-01	-02	-01	-02	
001901-18-2	x	x	x	x	NEEDLE (2)
200086-833	x	x	x	x	NEEDLE BAR CONNECTING STUD PINCH SCREW
200141-833	x	x	x	x	NEEDLE SET SCREW (2)
200333-803	x	x	x	x	NEEDLE BAR CRANK POSITION SCREW
200341-803	x	x	x	x	ARM SHAFT BUSHING SET SCREW
200363-833	x	x	x	x	ARM SHAFT CONNECTION BELT PULLEY SET SCREW
200374-833	x	x	x	x	NEEDLE BAR CONNECTING LINK STUD SET SCREW
200378-850	x	x	x	x	NEEDLE BAR CRANK POSITION SCREW CHECK SCREW
200383-850	x	x	x	x	TAKE-UP LEVER HINGE STUD SET SCREW
200388-850	x	x	x	x	NEEDLE BAR CONNECTING STUD SET SCREW
202253	x	x	x	x	ARM SHAFT CONNECTION BELT PULLEY SPRING FLANGE (2)
202330	x	x	x	x	NEEDLE BAR CONNECTING STUD OIL PACKING (WICK)
202399	x	x	x	x	TAKE-UP LEVER DRIVING STUD WITH 244071
202552	x	x	x	x	NEEDLE BAR CONNECTING LINK
204329	x	x	x	x	ARM SHAFT BUSHING OIL PAD (FELT) (LOWER)
235706	x	x	x	x	TAKE-UP LEVER HINGE STUD OIL PACKING (WICK)
244071	x	x	x	x	TAKE-UP LEVER DRIVING STUD OIL PACKING (WICK)
244747	x	x	x	x	ARM SHAFT BUSHING
264714	x	x	x	x	NEEDLE BAR CONNECTING STUD WITH 200086 AND 202330
267160	x	x	x	x	ARM SHAFT BUSHING OIL PAD (FELT) (UPPER)
267161	x	x	x	x	ARM SHAFT CONNECTION BELT (REINFORCED NEOPRENE)
267162	x	x	x	x	ARM SHAFT CONNECTION BELT PULLEY WITH 200363, 350492 AND TWO 202253
267221	x	x	x	x	NEEDLE BAR CONNECTING LINK STUD WITH 267466
267224	x	x	x	x	NEEDLE BAR CRANK FRICTION WASHER
267239	x	x	x	x	TAKE-UP LEVER HINGE STUD WITH 235706
267247	x	x	x	x	ARM SHAFT WITH 200333, 200374, 200378, 200388 AND 267221
267267	x	x	x	x	NEEDLE BAR
267269	x	x	x	x	NEEDLE HOLDER WITH TWO 200141
267300	x	x	x	x	TAKE-UP LEVER
267466	x	x	x	x	NEEDLE BAR CONNECTING LINK STUD OIL PACKING (WICK)
350492-830	x	x	x	x	ARM SHAFT CONNECTION BELT PULLEY POSITION SCREW

PARTS FOR MACHINE CLASS 212

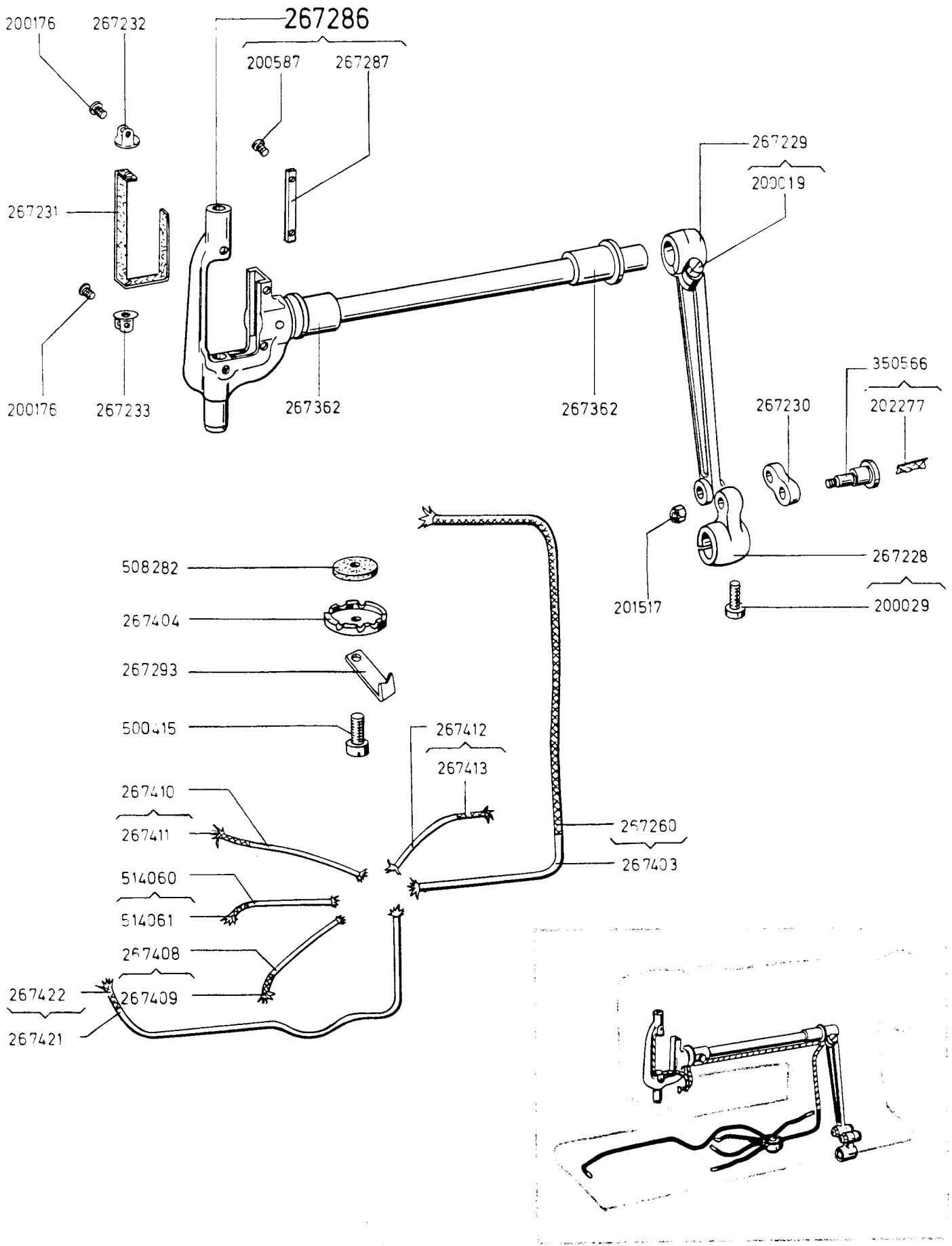
(-01 = USA, -02 = EUROPE)

PART NO.	G 440		G 441		NAME
	-01	-02	-01	-02	
200019-850	x	x	-	-	NEEDLE BAR ROCK FRAME ROCK SHAFT CONNECTION PINCH SCREW
200029-803	x	x	-	-	ROCK SHAFT CRANK PINCH SCREW
200176-805	x	x	-	-	NEEDLE BAR OILING FELT RETAINER SCREW
200587-803	x	x	-	-	NEEDLE BAR ROCK FRAME WEAR PLATE SCREW (4)
201517-805	x	x	-	-	NEEDLE BAR ROCK FRAME ROCK SHAFT CRANK LINK HINGE SCREW NUT (2)
202277	x	x	-	-	NEEDLE BAR ROCK FRAME ROCK SHAFT CRANK LINK HINGE SCREW OIL PACKING (WICK) (2)
267228	x	x	-	-	NEEDLE BAR ROCK FRAME ROCK SHAFT CRANK WITH 200029
267229	x	x	-	-	NEEDLE BAR ROCK FRAME ROCK SHAFT CONNECTION WITH 200029
267230	x	x	-	-	NEEDLE BAR ROCK FRAME ROCK SHAFT CRANK LINK
267231	x	x	-	-	NEEDLE BAR OILING FELT
267232	x	x	-	-	NEEDLE BAR OILING FELT RETAINER (LOWER)
267233	x	x	-	-	NEEDLE BAR OILING FELT RETAINER (UPPER)
267260	x	-	x	x	BED OIL SUPPLY TUBE OIL WICK
267286	x	x	-	-	NEEDLE BAR ROCK FRAME WITH FOUR 200587 AND TWO 267287
267287	x	x	-	-	NEEDLE BAR ROCK FRAME WEAR PLATE (2)
267293	x	-	x	x	FEED DRIVING ECCENTRIC CONNECTION OIL TUBE SUPPORT
267362	x	x	-	-	NEEDLE BAR ROCK FRAME ROCK SHAFT BUSHING (SPLIT) (2)
267403	x	-	x	x	BED OIL SUPPLY TUBE WITH 267260
267404	x	-	x	x	BED OIL TUBE CLAMP
267408	x	-	x	x	FEED DRIVING ECCENTRIC CONNECTION OIL TUBE WITH 267409
267409	x	-	x	x	FEED DRIVING ECCENTRIC CONNECTION OIL TUBE WICK
267410	x	-	x	x	FEED DRIVING ROCK SHAFT BUSHING (LEFT) OIL TUBE WITH 267411
267411	x	-	x	x	FEED DRIVING ROCK SHAFT BUSHING (LEFT) OIL TUBE WICK
267412	x	-	x	x	FEED DRIVING ROCK SHAFT BUSHING (RIGHT) OIL TUBE WITH 267413
267413	x	-	x	x	FEED DRIVING ROCK SHAFT BUSHING (RIGHT) OIL TUBE WICK
267421	x	-	x	x	HOOK SADDLE BEARING (LEFT) OIL TUBE WITH 267422
267422	x	-	x	x	HOOK SADDLE BEARING (LEFT) OIL TUBE WICK
350566-803	x	x	-	-	NEEDLE BAR ROCK FRAME ROCK SHAFT CRANK LINK HINGE SCREW (2) WITH EACH ONE 202277
500415	x	-	x	x	BED OIL TUBE CLAMP SCREW
508282	x	-	x	x	BED OIL TUBE CLAMP OILING FELT
514060	x	-	x	x	HOOK SADDLE BEARING (RIGHT) OIL TUBE WITH 514061
514061	x	-	x	x	HOOK SADDLE BEARING (RIGHT) OIL TUBE WICK

Parts for Machine 212 G 440-01, 212G 440-02



Parts for Machine 212 G 440-01, 212 G 440-02

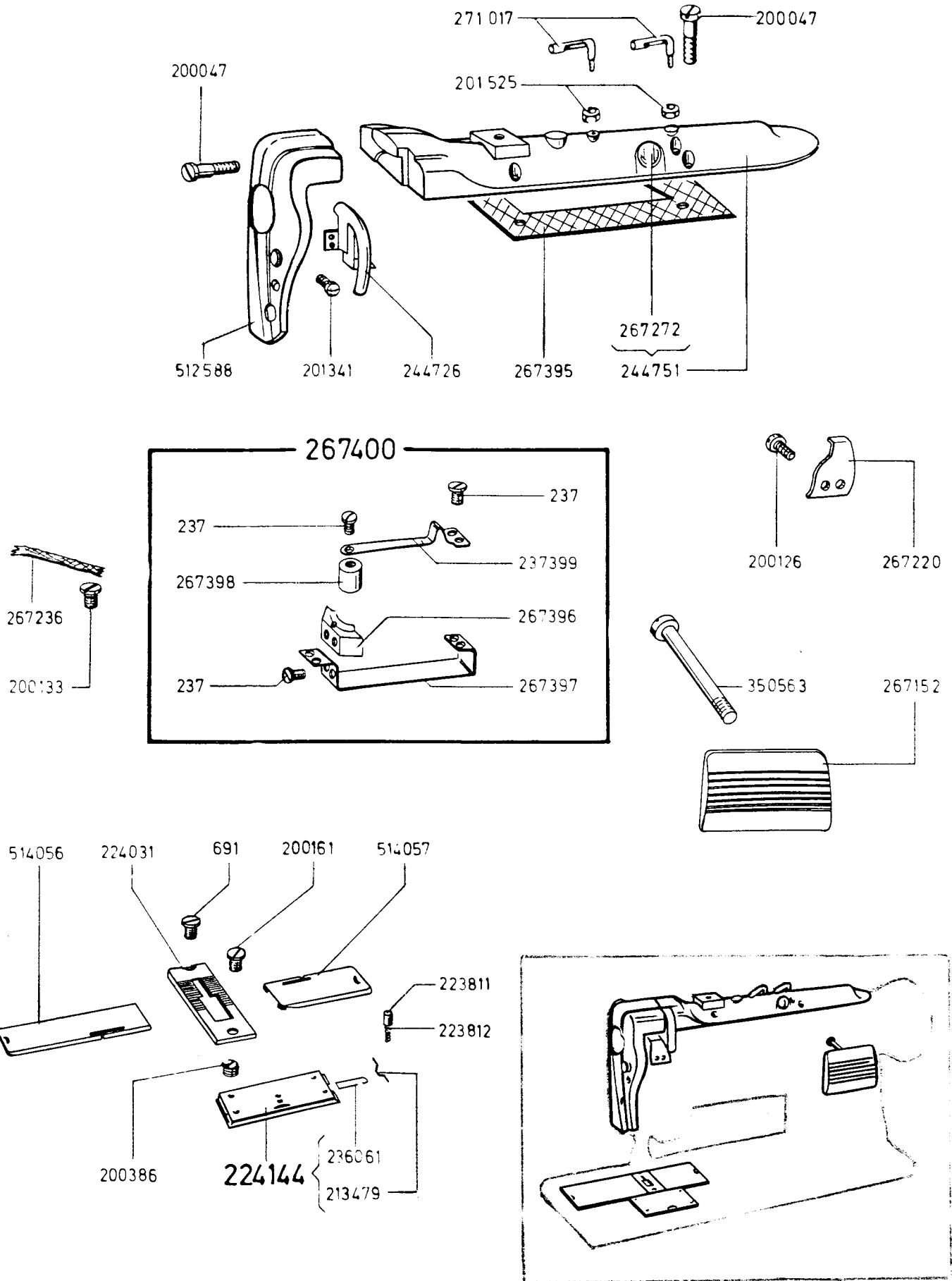


PARTS FOR MACHINE CLASS 212

(-01 = USA, -02 = EUROPE)

PART NO.	G 440		G 441		NAME
	-01	-02	-01	-02	
000237-804	x	x	x	x	OIL VIBRATING PUMP BLOCK SCREW (2)
000237-804	x	x	x	x	OIL VIBRATING PUMP WEIGHT SPRING SCREW (2)
000237-804	x	x	x	x	OIL VIBRATING PUMP WEIGHT SCREW
000691-806	x	x	x	x	THROAT PLATE SCREW
200047-819	x	x	x	x	FACE PLATE SCREW (2)
200047-819	x	x	x	x	ARM COVER (TOP) SCREW (6)
200126-805	x	x	x	x	NEEDLE BAR CONNECTING LINK OIL GUARD SCREW
200133-805	x	x	x	x	OIL VIBRATING PUMP BRACKET SCREW (2)
200161-804	x	x	x	x	THROAT PLATE CLAMP SCREW
200386-803	x	x	x	x	ATTACHMENT SLIDE PLATE (FRONT) LOCK SCREW
201341-803	x	x	x	x	TAKE-UP LEVER GUARD SCREW (3)
201525-805	x	x	x	x	THREAD GUIDE (TOP OF ARM) LOCK NUT (2)
213479	x	x	x	x	ATTACHMENT SLIDE PLATE FRICTION SLIDE SPRING
223811	x	x	x	x	BED SLIDE (BACK) STOP
223812	x	x	x	x	BED SLIDE (BACK) STOP SPRING
224031	x	x	x	x	BED SLIDE (FRONT)
224144	x	x	x	x	ATTACHMENT SLIDE PLATE WITH 213479 AND 236061
236061	x	x	x	x	ATTACHMENT SLIDE PLATE FRICTION SLIDE
244726	x	x	x	x	TAKE-UP LEVER GUARD
244751	x	x	x	x	ARM COVER (TOP)
267152	x	x	x	x	ARM COVER (SIDE)
267220	x	x	x	x	OIL GUARD
267236	x	x	x	x	OIL RESERVOIR OIL WICK
267272	x	x	x	x	OIL LEVEL INDICATOR
267395	x	x	x	x	ARM COVER (TOP) GASKET (VELLUMOID)
267396	x	x	x	x	OIL VIBRATING PUMP BLOCK
267397	x	x	x	x	OIL VIBRATING PUMP BRACKET
267398	x	x	x	x	OIL VIBRATING PUMP WEIGHT
267399	x	x	x	x	OIL VIBRATING PUMP WEIGHT SPRING
267400	x	x	x	x	DYNAMIC HEAD-END LUBRICATION DEVICE CPL. 267396, 267398, 267397, 267399 AND FIVE 237
271017	x	x	x	x	THREAD GUIDE (TOP OF ARM) (2)
350563-805	x	x	x	x	ARM COVER (SIDE) SCREW
512588	x	x	x	x	FACE PLATE
514056	x	x	x	x	BED SLIDE (FRONT)
514057	x	x	x	x	BED SLIDE (BACK)

Parts for Machine 212 G 440-01, 212 G 440-02

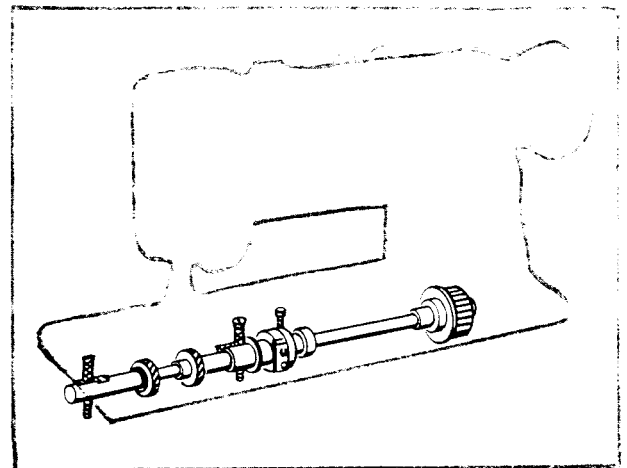
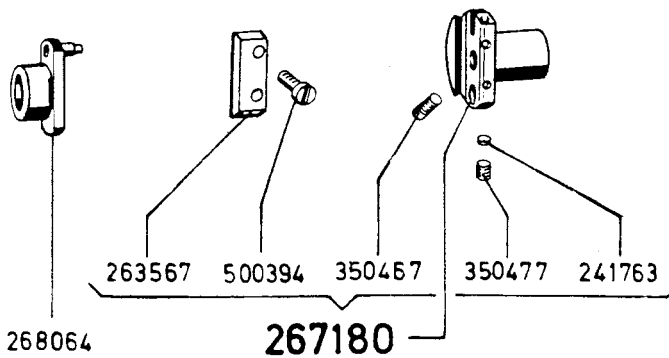
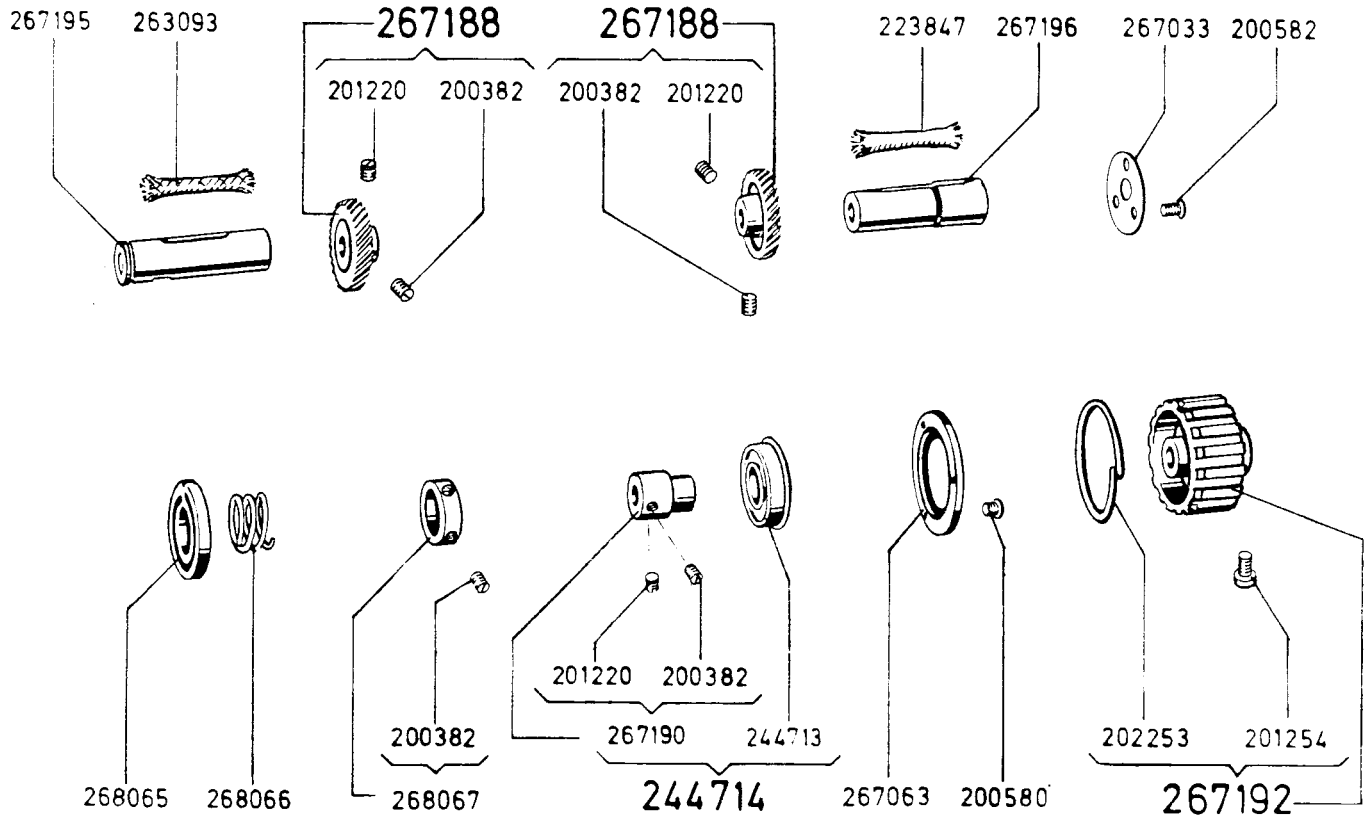
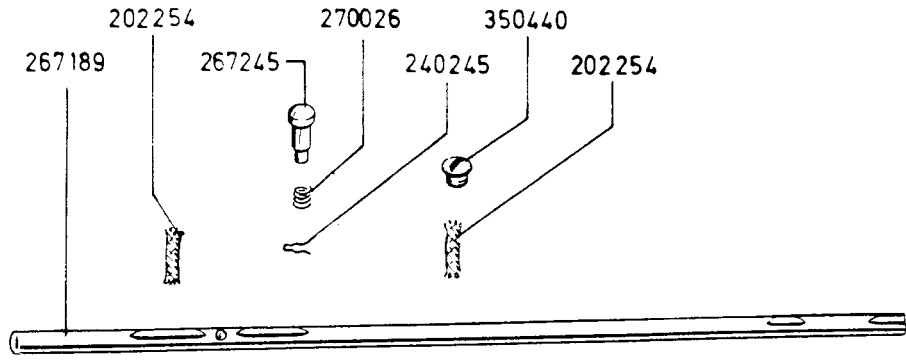


PARTS FOR MACHINE CLASS 212

(-01 = USA, -02 = EUROPE)

PART NO.	G 440		G 441		NAME
	-01	-02	-01	-02	
200382-833	x	x	x	x	HOOK DRIVING GEAR SET SCREW (2)
200382-833	x	x	x	x	FEED DRIVING ECCENTRIC ADJUSTING DISC SPRING COLLAR SET SCREW (2)
200382-833	x	x	x	x	HOOK DRIVING SHAFT BALL BEARING COLLAR SET SCREW
200580-819	x	x	x	x	HOOK DRIVING SHAFT BALL BEARING RETAINING WASHER SCREW (3)
200582-819	x	x	x	x	FEED DRIVING ECCENTRIC CONNECTION FRICTION WASHER SCREW (3)
201220-833	x	x	x	x	FEED LIFTING ECCENTRIC SET SCREW (2)
201220-833	x	x	x	x	HOOK DRIVING SHAFT BALL BEARING COLLAR POSITION SCREW
201254-830	x	x	x	x	HOOK DRIVING SHAFT CONNECTION BELT PULLEY SET SCREW (2)
202253	x	x	x	x	HOOK DRIVING SHAFT CONNECTION BELT PULLEY SPRING FLANGE
202254	x	x	x	x	BED OIL WICK (BACK)
202254	x	x	x	x	BED OIL WICK (FRONT)
223847	x	x	x	x	HOOK SADDLE BEARING (RIGHT) OIL PACKING (WICK)
240245	x	x	x	x	FEED REGULATING STUD RETAINING SPRING
241763	x	x	x	x	FEED DRIVING ECCENTRIC PLATE SCREW SET SCREW PACKING (BRASS) (2)
244713	x	x	x	x	HOOK DRIVING SHAFT BALL BEARING
244714	x	x	x	x	HOOK DRIVING SHAFT BALL BEARING WITH 244713 AND 267190
263093	x	x	x	x	HOOK SADDLE BEARING (LEFT) OIL PACKING (WICK)
263567	x	x	x	x	FEED DRIVING ECCENTRIC FRICTION PLATE
267033	x	x	x	x	FEED DRIVING ECCENTRIC CONNECTION FRICTION WASHER
267063	x	x	x	x	HOOK DRIVING SHAFT BALL BEARING RETAINING WASHER
267180	x	x	x	x	FEED DRIVING FLANGE WITH 263567, TWO EACH 241763, 350467, 350477 AND 500394
267188	x	x	x	x	HOOK DRIVING GEAR (SPIRAL) (2) WITH TWO EACH 200382 AND TWO EACH 201220
267189	x	x	x	x	HOOK DRIVING SHAFT
267190	x	x	x	x	HOOK DRIVING SHAFT BALL BEARING COLLAR WITH 200382 AND 201220
267192	x	x	x	x	HOOK DRIVING SHAFT CONNECTION BELT PULLEY WITH TWO 201254 AND 202253
267195	x	x	x	x	HOOK SADDLE BEARING (LEFT)
267196	x	x	x	x	HOOK SADDLE BEARING (RIGHT)
267245	x	x	x	x	FEED REGULATING STUD

Parts for Machine 212G 440-01, 212G 440-02

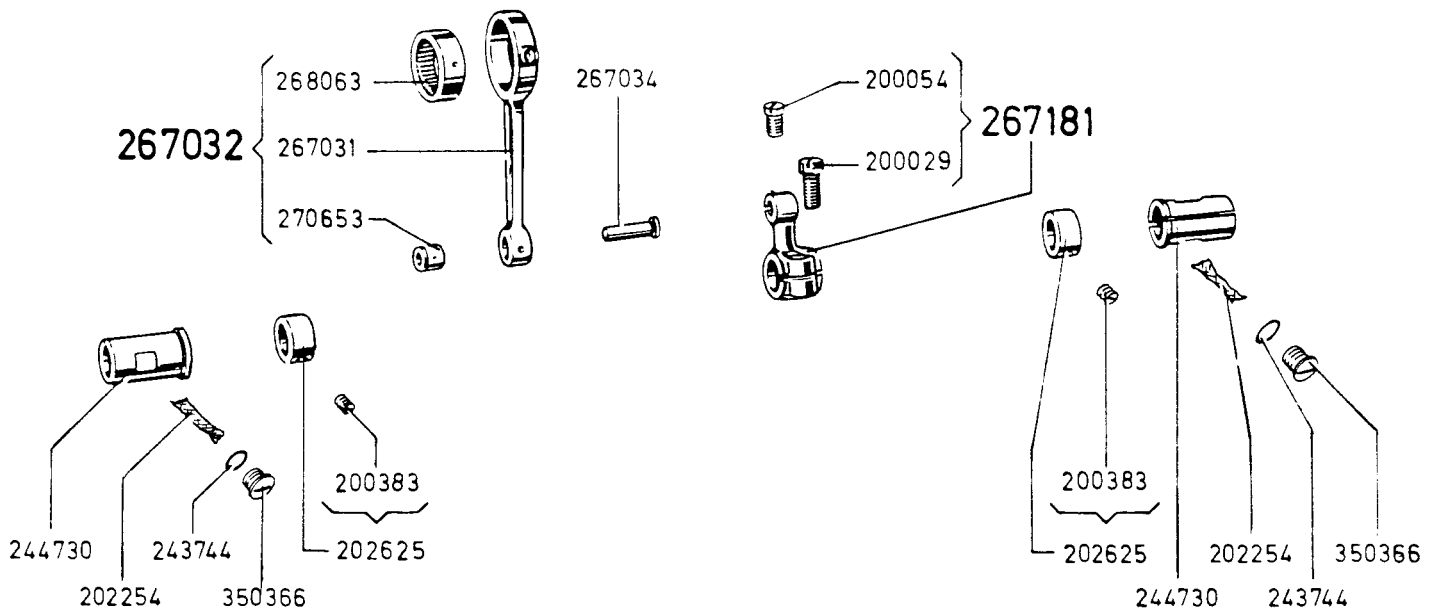
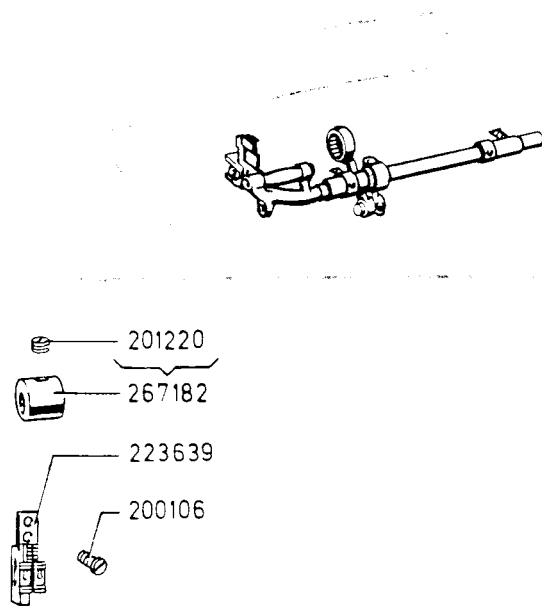
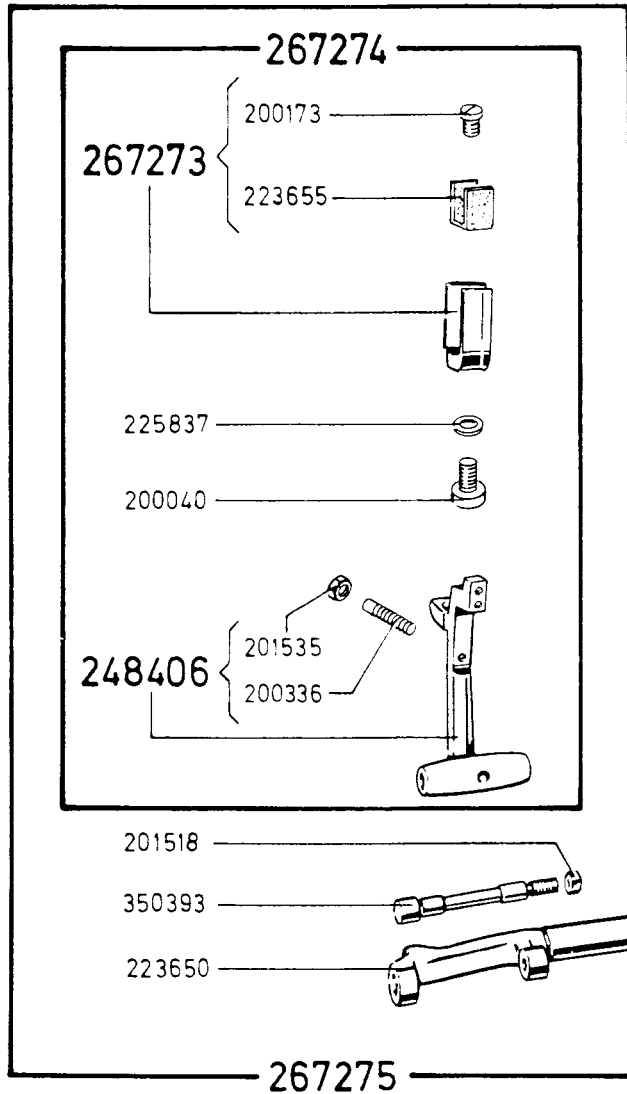


PARTS FOR MACHINE CLASS 212

(-01 = USA, -02 = EUROPE)

PART NO.	G 440		G 441		NAME
	-01	-02	-01	-02	
200029-805	x	x	-	-	FEED DRIVING ROCK SHAFT CRANK PINCH SCREW
200040-830	x	x	x	x	FEED LIFTING ECCENTRIC FORK SCREW
200054-803	x	x	-	-	FEED DRIVING ECCENTRIC CONNECTION HINGE STUD PINCH SCREW
200106-833	x	x	x	x	FEED DOG SCREW (2)
200173-804	x	x	x	x	FEED LIFTING ECCENTRIC OILING FELT SCREW
200336-805	x	x	x	x	FEED DOG SUPPORT SCREW
200383-850	x	x	x	x	FEED DRIVING ROCK SHAFT STOP COLLAR SET SCREW (4)
201220-833	x	x	x	x	FEED LIFTING ECCENTRIC SET SCREW
201518-805	x	x	x	x	FEED BAR HINGE SCREW NUT
201535-805	x	x	x	x	FEED DOG SUPPORT NUT
202254	x	x	x	x	BED OIL WICK (FRONT)
202254	x	x	x	x	BED OIL WICK (BACK)
202625	x	x	x	x	FEED DRIVING ROCK SHAFT STOP COLLAR (2) WITH TWO EACH 200383
223639	x	x	x	x	FEED DOG
223650	x	x	x	x	FEED DRIVING ROCK SHAFT
223655	x	x	x	x	FEED LIFTING ECCENTRIC OILING FELT
225837	x	x	x	x	FEED LIFTING ECCENTRIC FORK SCREW WASHER
243744	x	x	x	x	BED OIL STOP SCREW GASKET (BACK)
243744	x	x	x	x	BED OIL STOP SCREW GASKET (FRONT)
244730	x	x	x	x	FEED DRIVING ROCK SHAFT BUSHING (LEFT)
244730	x	x	x	x	FEED DRIVING ROCK SHAFT BUSHING (RIGHT)
248406	x	x	x	x	FEED BAR CPL. NOS. 200336 AND 201535
267031	x	x	-	-	FEED DRIVING ECCENTRIC CONNECTION
267032	x	x	-	-	FEED DRIVING ECCENTRIC CONNECTION WITH 267031, 268063 AND 270653
267034	x	x	-	-	FEED DRIVING ECCENTRIC CONNECTION HINGE STUD
267181	x	x	-	-	FEED DRIVING ROCK SHAFT CRANK WITH 200029 AND 200054
267182	x	x	x	x	FEED LIFTING ECCENTRIC WITH 201220
267273	x	x	x	x	FEED LIFTING ECCENTRIC FORK WITH 200173 AND 223655
267274	x	x	x	x	FEED BAR CPL. NOS. 200040, 225837, 248406 AND 267273
267275	x	x	x	x	FEED DRIVING ROCK SHAFT WITH 201518, 223650, 267274 AND 350393
268063	x	x	-	-	FEED DRIVING ECCENTRIC CONNECTION NEEDLE BEARING
270653	x	x	-	-	FEED DRIVING ECCENTRIC CONNECTION HINGE STUD NEEDLE BEARING
350366-819	x	x	x	x	BED OIL STOP SCREW (2)
350393-803	x	x	x	x	FEED BAR HINGE SCREW (DRIVING)

Parts for Machine 212 G 440-01, 212 G 440-02



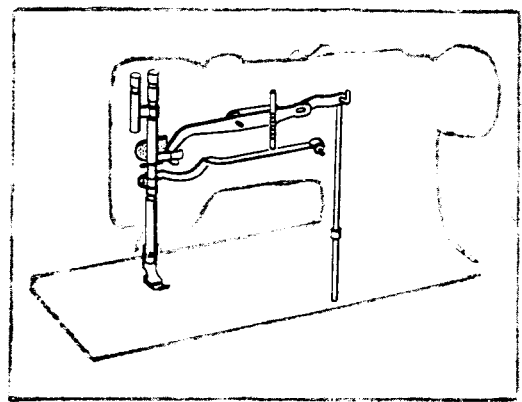
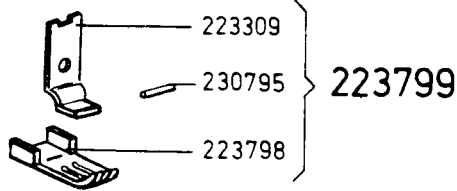
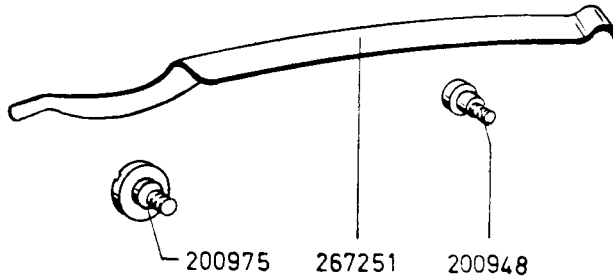
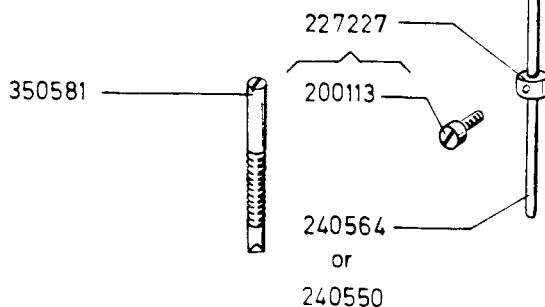
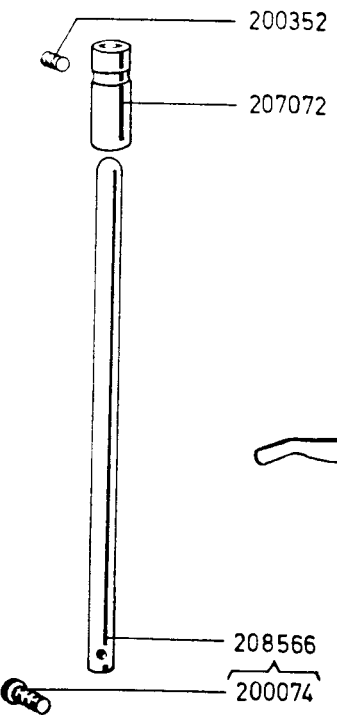
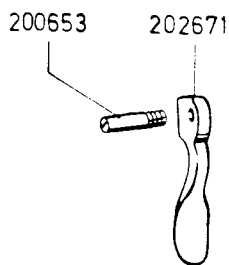
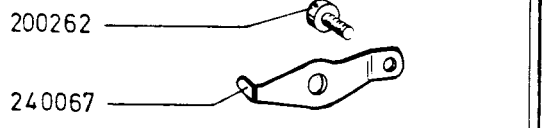
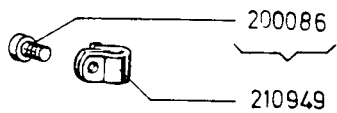
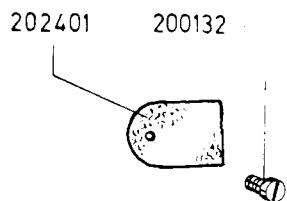
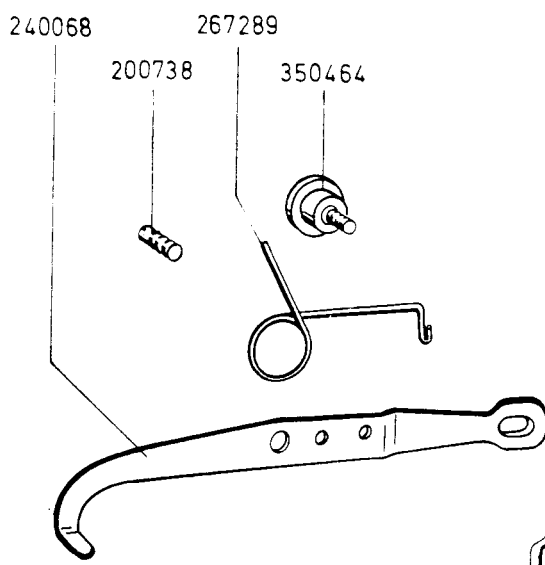
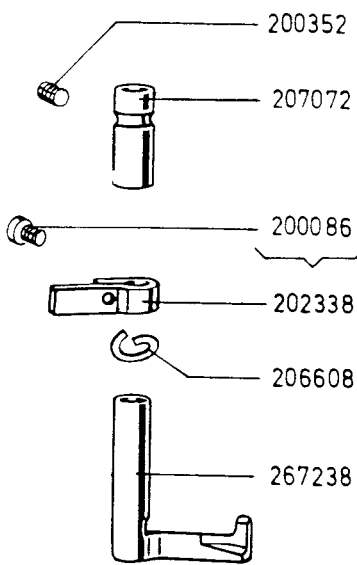
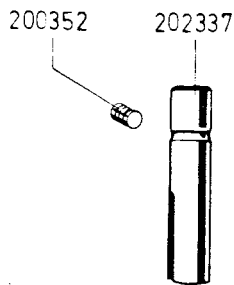
PARTS FOR MACHINE CLASS 212

(-01 = USA, -02 = EUROPE)

PART NO.	G 440		G 441		NAME
	-01	-02	-01	-02	
200074-850	x	x	x	x	PRESSER BAR SCREW
200086-833	x	x	x	x	PRESSER BAR POSITION GUIDE LEVER PINCH SCREW
200086-833	x	x	x	x	PRESSER BAR SPRING BRACKET PINCH SCREW
200113-850	x	x	x	x	KNEE LIFTER CONNECTION LEVER LIFTING ROD STOP COLLAR SET SCREW
200132-850	x	x	x	x	TAKE-UP LEVER OILING FELT SCREW
200262-850	x	x	x	x	KNEE LIFTER CONNECTION LEVER HINGE SCREW
200352-833	x	x	x	x	PRESSER BAR POSITION GUIDE SET SCREW
200352-833	x	x	x	x	PRESSER BAR BUSHING SET SCREW (UPPER)
200352-833	x	x	x	x	PRESSER BAR BUSHING SET SCREW (LOWER)
200653-803	x	x	x	x	PRESSER BAR LIFTER HINGE SCREW
200738-819	x	x	x	x	KNEE LIFTER LIFTING LEVER SPRING STOP SCREW
200948-806	x	x	x	x	PRESSER BAR SPRING SUPPORT SCREW
200975-850	x	x	x	x	PRESSER BAR LIFTING RELEASING LEVER BRACKET GUIDE SCREW
202337	x	x	x	x	PRESSER BAR POSITION GUIDE
202338	x	x	x	x	PRESSER BAR POSITION GUIDE LEVER WITH 200086
202401	x	x	x	x	TAKE-UP LEVER OILING FELT
202671	x	x	x	x	PRESSER BAR LIFTER
206608	x	x	x	x	PRESSER BAR LIFTING RELEASING LEVER BRACKET SPRING
207072	x	x	x	x	PRESSER BAR BUSHING (2) (UPPER AND LOWER)
208566	x	x	x	x	PRESSER BAR WITH 200074
210949	x	x	x	x	PRESSER BAR SPRING BRACKET WITH 200086
223309	x	x	x	x	PRESSER FOOT SHANK
223798	x	x	x	x	PRESSER FOOT PLATE
223799	x	x	x	x	PRESSER FOOT CPL. NOS. 223309, 223798 AND 230795
227227	x	x	x	x	KNEE LIFTER CONNECTION LEVER LIFTING ROD STOP COLLAR WITH 200113
230795	x	x	x	x	PRESSER BAR HINGE PIN
240067	x	x	x	x	KNEE LIFTER CONNECTION LEVER
240068	x	x	x	x	KNEE LIFTER LIFTING LEVER
240550	-	-	x	x	KNEE LIFTER CONNECTION LEVER LIFTING ROD
240564	x	x	-	-	KNEE LIFTER CONNECTION LEVER LIFTING ROD
267238	x	x	x	x	PRESSER BAR LIFTING RELEASING LEVER BRACKET
267251	x	x	x	x	PRESSER BAR SPRING (FLAT)
267289	x	x	x	x	KNEE LIFTER LIFTING LEVER SPRING
350464-819	x	x	x	x	KNEE LIFTER LIFTING LEVER HINGE SCREW
350581-803	x	x	x	x	PRESSER BAR SPRING REGULATING SCREW

Parts for Machine 212 G 440-01, 212 G 440-02

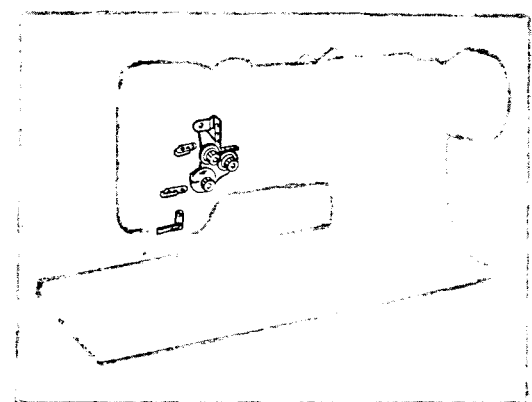
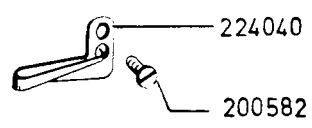
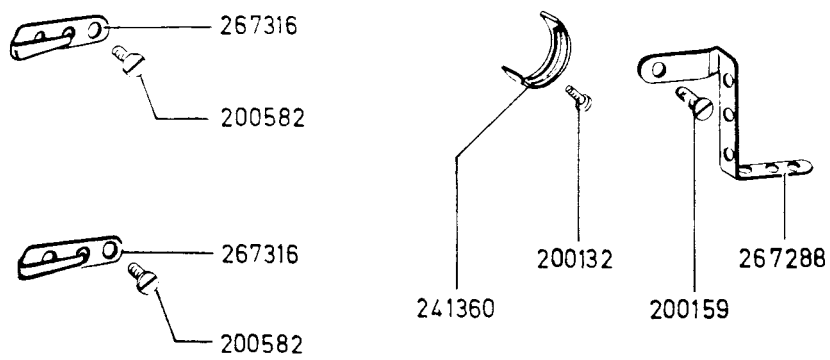
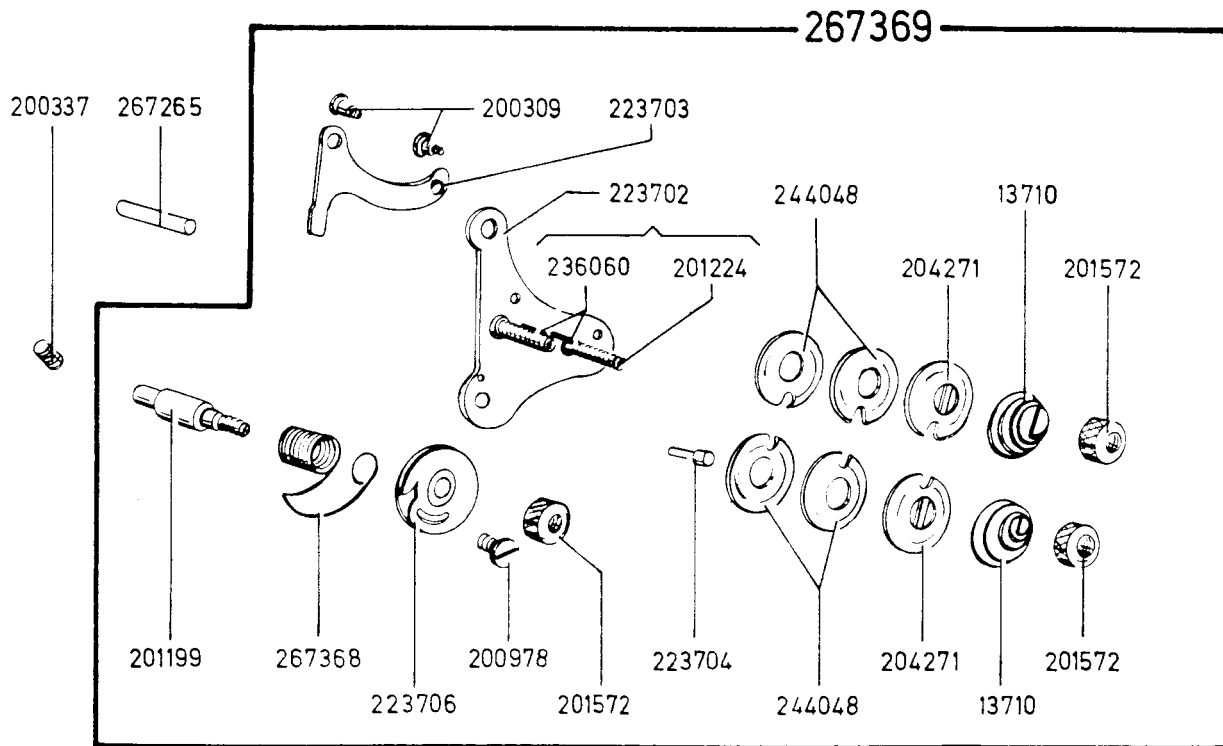
27A2



PARTS FOR MACHINE CLASS 212 (-01 = USA, -02 = EUROPE)

PART NO.	G 440		G 441		NAME
	-01	-02	-01	-02	
013710	x	x	x	x	TENSION SPRING (2)
200132-850	x	x	x	x	THREAD CONTROLLER SPRING STOP SCREW
200159-806	x	x	x	x	TENSION BRACKET SCREW
200309-805	x	x	x	x	TENSION RELEASE LEVER SCREW (2)
200337-803	x	x	x	x	THREAD CONTROLLER STUD SET SCREW
200582-819	x	x	x	x	THREAD GUIDE SCREW (3)
200978-819	x	x	x	x	THREAD CONTROLLER DISC SCREW
201199-806	x	x	x	x	THREAD CONTROLLER STUD WITH 204925
201224-850	x	x	x	x	TENSION STUD (2)
201572-819	x	x	x	x	TENSION THUMB NUT (3)
204271	x	x	x	x	TENSION RELEASE WASHER (2)
223702	x	x	x	x	TENSION BRACKET WITH TWO 201224 AND TWO 236060
223703	x	x	x	x	TENSION RELEASE LEVER
223704	x	x	x	x	TENSION RELEASE PLUNGER
223706	x	x	x	x	THREAD CONTROLLER DISC
224040	x	x	x	x	THREAD GUIDE (LOWER)
236060	x	x	x	x	TENSION DISC POSITION PIN (2)
241360	x	x	x	x	THREAD CONTROLLER SPRING STOP
244048	x	x	x	x	TENSION DISC (4)
267265	x	x	x	x	TENSION RELEASE LEVER ROD
267288	x	x	x	x	THREAD RETAINER
267316	x	x	x	x	THREAD GUIDE (2)
267368	x	x	x	x	THREAD CONTROLLER SPRING
267369	x	x	x	x	TENSION BRACKET CPL. NOS. TWO 13710, TWO 200309, 200978, 201199, THREE 201572, TWO 204271, 223702, 223703, TWO 223704, 223706, FOUR 244048 AND 267368

Parts for Machine 212 G 440-01, 212 G 440-02

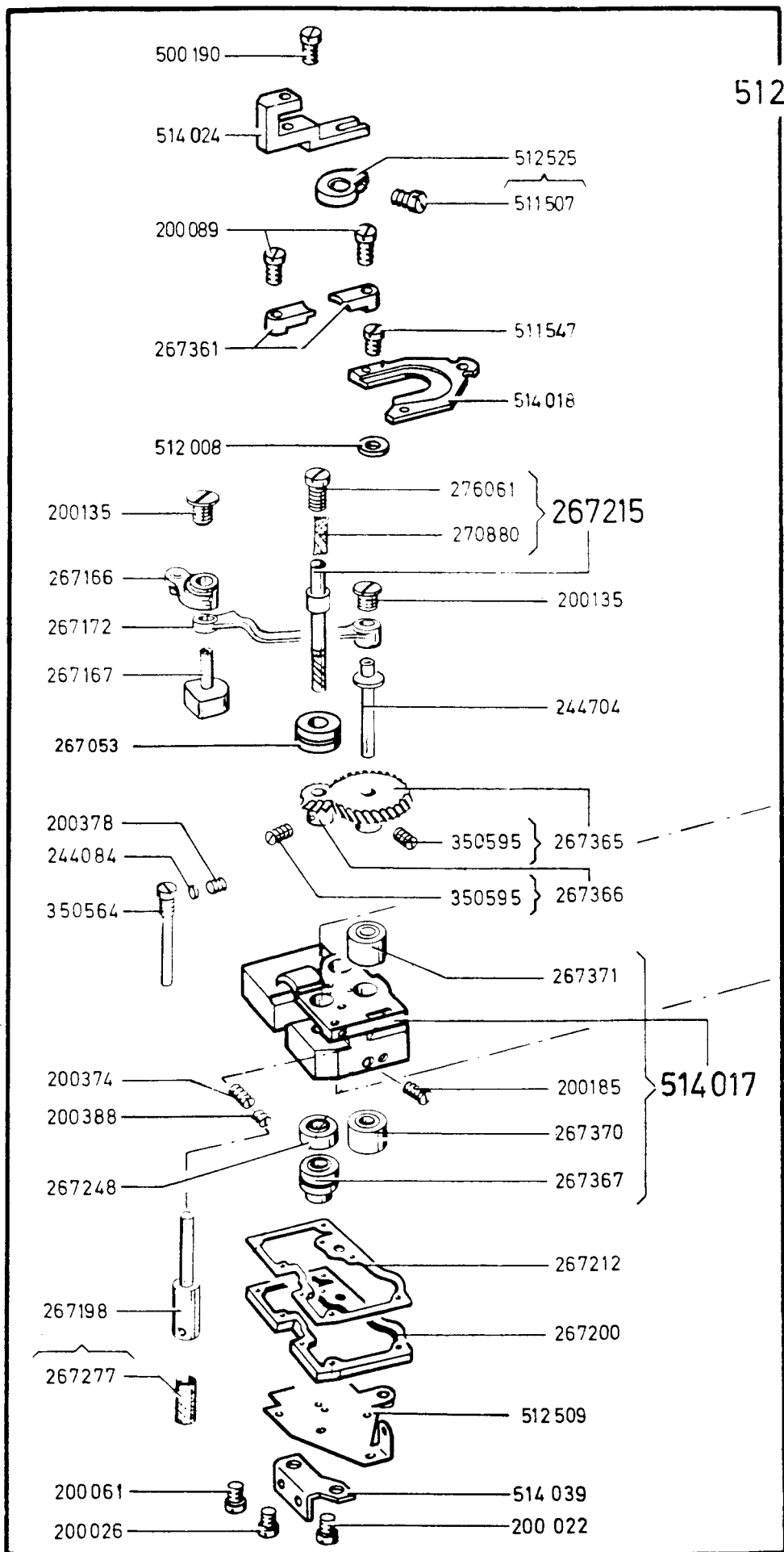


PARTS FOR MACHINE CLASS 212

(-01 = USA, -02 = EUROPE)

PART NO.	G 440		G 441		NAME
	-01	-02	-01	-02	
200001-805	x	x	x	x	HOOK SADDLE PINCH SLEEVE SCREW
200006-805	x	x	x	x	HOOK SADDLE SCREW
200022-850	x	x	x	x	THREAD TRIMMING KNIFE RETAINING PLATE BRACKET SCREW (RIGHT)
200026-850	x	x	x	x	LOWER MOUNTING BRACKET (LEFT) SCREW (3)
200061-833	x	x	x	x	HOOK SADDLE OIL RESERVOIR SCREW (4)
200089-819	x	x	x	x	HOOK BALL BEARING SCREW (2)
200110-850	x	x	x	x	BOBBIN CASE OPENER SCREW
200135-805	x	x	x	x	BOBBIN CASE OPENER LINK CAP SCREW (2)
200137-819	x	x	x	x	BOBBIN CASE OPENER CRANK HINGE BRACKET (LEFT) SCREW (2)
200185-804	x	x	x	x	HOOK SADDLE OIL STOP SCREW
200378-850	x	x	x	x	HOOK SADDLE OIL REGULATING SCREW CHECK SCREW
225585	x	x	x	x	HOOK SADDLE SCREW WASHER
244084	x	x	x	x	FEED DRIVING ROCK SHAFT BUSHING (LEFT) PINCH SCREW SET SCREW PACKING (FIBRE)
244704	x	x	x	x	BOBBIN CASE OPENER DRIVING CAM SHAFT
267017	x	x	x	x	BOBBIN CASE OPENER CRANK HINGE BRACKET (LEFT)
267053	x	x	x	x	HOOK BALL BEARING
267139	x	x	x	x	HOOK SADDLE PINCH SLEEVE (LOWER)
267140	x	x	x	x	HOOK SADDLE PINCH SLEEVE (UPPER)
267166	x	x	x	x	BOBBIN CASE OPENER CRANK
267171	x	x	x	x	BOBBIN CASE OPENER LINK (LEFT)
267198	x	x	x	x	HOOK SADDLE OIL GAUGE SLEEVE WITH 267277
267199	x	x	x	x	HOOK SADDLE OIL RESERVOIR (LEFT)
267212	x	x	x	x	HOOK SADDLE OIL RESERVOIR GASKET
267215	x	x	x	x	HOOK SHAFT WITH 270880 AND 276061
267248	x	x	x	x	HOOK DRIVING PINION THRUST BEARING
267277	x	x	x	x	HOOK SADDLE OIL STRAINER
267351	x	x	x	x	BOBBIN CASE OPENER
267361	x	x	x	x	HOOK BALL BEARING RETAINER (2)
267365	x	x	x	x	BOBBIN CASE OPENER DRIVING CAM SHAFT GEAR (SPIRAL) WITH TWO 350595
267366	x	x	x	x	HOOK DRIVING PINION (SPIRAL) WITH TWO 350595
267367	x	x	x	x	HOOK SHAFT BUSHING (LEFT)
267370	x	x	x	x	BOBBIN CASE OPENER DRIVING CAM SHAFT BUSHING (LOWER)
267371	x	x	x	x	BOBBIN CASE OPENER DRIVING CAM BUSHING (UPPER)
270880	x	x	x	x	HOOK SHAFT OIL WICK
276061	x	x	x	x	HOOK SHAFT OIL WICK HOLDER
350564-805	x	x	x	x	HOOK SADDLE OIL REGULATING SCREW
350595-869	x	x	x	x	BOBBIN CASE OPENER DRIVING CAM SHAFT GEAR SET SCREW (2)

Parts for Machine 212 G 440-01, 212 G 440-02



512 534

- 500 190
- 514 024
- 512 525
- 511 507
- 200 089
- 267 361
- 511 547
- 514 018
- 512 008

- 200 135
- 267 166
- 267 172
- 267 167
- 267 053
- 276 061
- 270 880
- 267 215
- 200 135
- 244 704

- 200 378
- 244 084
- 350 564
- 350 595
- 267 365
- 267 366

- 200 374
- 200 388
- 267 248
- 267 371
- 200 185
- 267 370
- 267 367
- 514 017

- 267 198
- 267 277
- 267 212
- 267 200
- 512 509
- 200 061
- 200 026
- 514 039
- 200 022

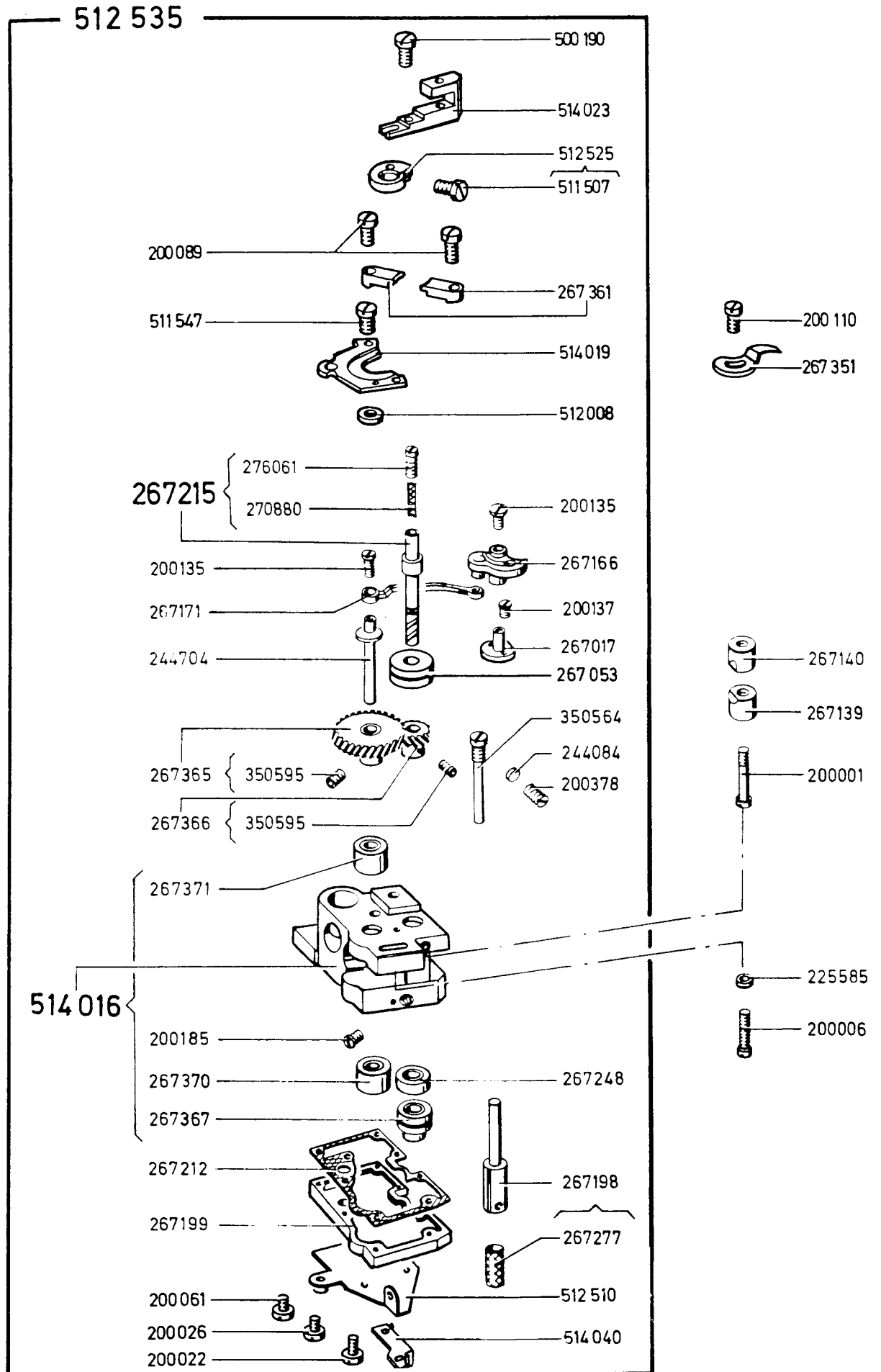
- 200 110
- 267 351
- 267 140
- 267 139
- 200 001
- 225 585
- 200 006

PARTS FOR MACHINE CLASS 212

(-01 = USA, -02 = EUROPE)

PART NO.	G 440		G 441		NAME
	-01	-02	-01	-02	
200001-805	x	x	x	x	HOOK SADDLE PINCH SLEEVE SCREW
200006-805	x	x	x	x	HOOK SADDLE SCREW (2)
200022-850	x	x	x	x	THREAD TRIMMING KNIFE RETAINING PLATE BRACKET SCREW (RIGHT)
200026-850	x	x	x	x	LOWER MOUNTING BRACKET (RIGHT) SCREW (2)
200061-833	x	x	x	x	HOOK SADDLE OIL RESERVOIR SCREW (2)
200089-819	x	x	x	x	HOOK BALL BEARING SCREW (2)
200110-850	x	x	x	x	BOBBIN CASE OPENER SCREW
200135-805	x	x	x	x	BOBBIN CASE OPENER LINK CAP SCREW (2)
200374-833	x	x	x	x	HOOK SADDLE OIL STOP SCREW BOBBIN CASE OPENER CRANK HINGE STUD (RIGHT) SET SCREW
200378-850	x	x	x	x	HOOK SADDLE OIL REGULATING SCREW CHECK SCREW
200388-850	x	x	x	x	BOBBIN CASE OPENER CRANK HINGE STUD (RIGHT) SET SCREW CHECK SCREW
225585	x	x	x	x	HOOK SADDLE SCREW WASHER
244084	x	x	x	x	FEED DRIVING ROCK SHAFT BUSHING (RIGHT) PINCH SCREW SET SCREW PACKING (FIBRE)
244704	x	x	x	x	BOBBIN CASE OPENER CAM SHAFT
267053	x	x	x	x	HOOK BALL BEARING
267139	x	x	x	x	HOOK SADDLE PINCH SLEEVE (LOWER)
267140	x	x	x	x	HOOK SADDLE PINCH SLEEVE (UPPER)
267166	x	x	x	x	BOBBIN CASE OPENER CRANK
267167	x	x	x	x	BOBBIN CASE OPENER CRANK HINGE STUD (RIGHT)
267172	x	x	x	x	BOBBIN CASE OPENER LINK (RIGHT)
267198	x	x	x	x	HOOK SADDLE OIL GAUGE SLEEVE WITH 267277
267200	x	x	x	x	HOOK SADDLE OIL RESERVOIR (RIGHT)
267212	x	x	x	x	HOOK SADDLE OIL RESERVOIR GASKET
267215	x	x	x	x	HOOK SHAFT WITH 270880 AND 276061
267248	x	x	x	x	HOOK DRIVING PINION THRUST BEARING
267277	x	x	x	x	HOOK SADDLE OIL STRAINER
267351	x	x	x	x	BOBBIN CASE OPENER
267361	x	x	x	x	HOOK BALL BEARING RETAINER (2)
267365	x	x	x	x	BOBBIN CASE OPENER DRIVING CAM SHAFT GEAR (SPIRAL) WITH TWO 350595
267366	x	x	x	x	HOOK DRIVING PINION (SPIRAL) WITH TWO 350595
267367	x	x	x	x	HOOK SHAFT BUSHING (RIGHT)
267370	x	x	x	x	BOBBIN CASE OPENER DRIVING CAM SHAFT BUSHING (LOWER)
267371	x	x	x	x	BOBBIN CASE OPENER DRIVING CAM SHAFT BUSHING (UPPER)
270880	x	x	x	x	HOOK SHAFT OIL WICK
276061	x	x	x	x	HOOK SHAFT OIL WICK HOLDER
350564-805	x	x	x	x	HOOK SADDLE OIL REGULATING SCREW
350595-869	x	x	x	x	BOBBIN CASE OPENER DRIVING CAM SHAFT GEAR (SPIRAL) SET SCREW (2)

Parts for Machine No. 212G 440-01, 212 G 440-02

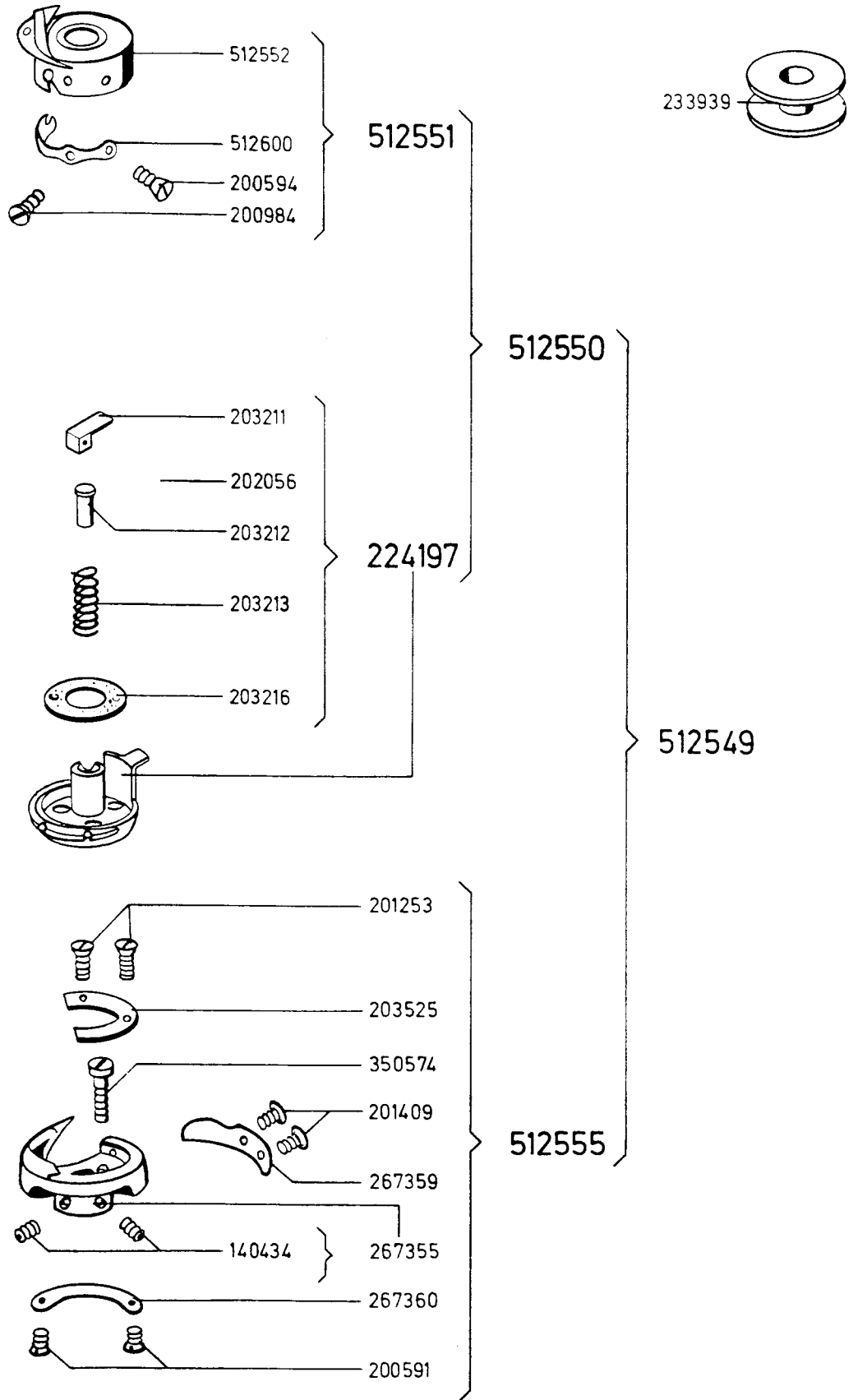


PARTS FOR MACHINE CLASS 212 (-01 = USA, -02 = EUROPE)

PART NO.	G 440		G 441		NAME
	-01	-02	-01	-02	
140434-869	x	x	x	x	HOOK SET SCREW (2)
200591-850	x	x	x	x	THREAD GUIDE SCREW (2)
200594-805	x	x	x	x	TENSION SPRING SCREW
200984-830	x	x	x	x	TENSION SPRING ADJUSTING SCREW
201253-806	x	x	x	x	HOOK GIB SCREW (2)
201409-806	x	x	x	x	HOOK NEEDLE GUARD SCREW (2)
+202056	x	x	x	x	BOBBIN CASE LATCH PIN
203211	x	x	x	x	BOBBIN CASE BASE LATCH
203212	x	x	x	x	LATCH PLUNGER
203213	x	x	x	x	LATCH SPRING
203216	x	x	x	x	BOBBIN CASE WASHER (CLOTH)
203525	x	x	x	x	HOOK GIB
224197	x	x	x	x	BOBBIN CASE BASE WITH +202056, 203211, 203212, 203213 AND 203216
233939	x	x	x	x	BOBBIN (2)
267355	x	x	x	x	HOOK BODY WITH TWO 140434
267359	x	x	x	x	HOOK NEEDLE GUARD
267360	x	x	x	x	HOOK THREAD GUIDE
350574-806	x	x	x	x	HOOK HEIGHT ADJUSTING SCREW
512549	x	x	x	x	HOOK AND BOBBIN CASE CPL. NOS. 512550 AND 512555 (2)
512550	x	x	x	x	BOBBIN CASE CPL. NOS. 224197 AND 512551
512551	x	x	x	x	BOBBIN CASE WITH 200594, 200984, 512552 AND 512600
512552	x	x	x	x	BOBBIN CASE
512555	x	x	x	x	HOOK CPL. NOS. 203525, 267355, 267359, 267360, 350574, TWO EACH 200591, 201253 AND 201409
512600	x	x	x	x	BOBBIN CASE TENSION SPRING

PARTS MARKED WITH AN ASTERISK (+) ARE FURNISHED ONLY
WHEN REPAIRS ARE MADE AT THE FACTORY.

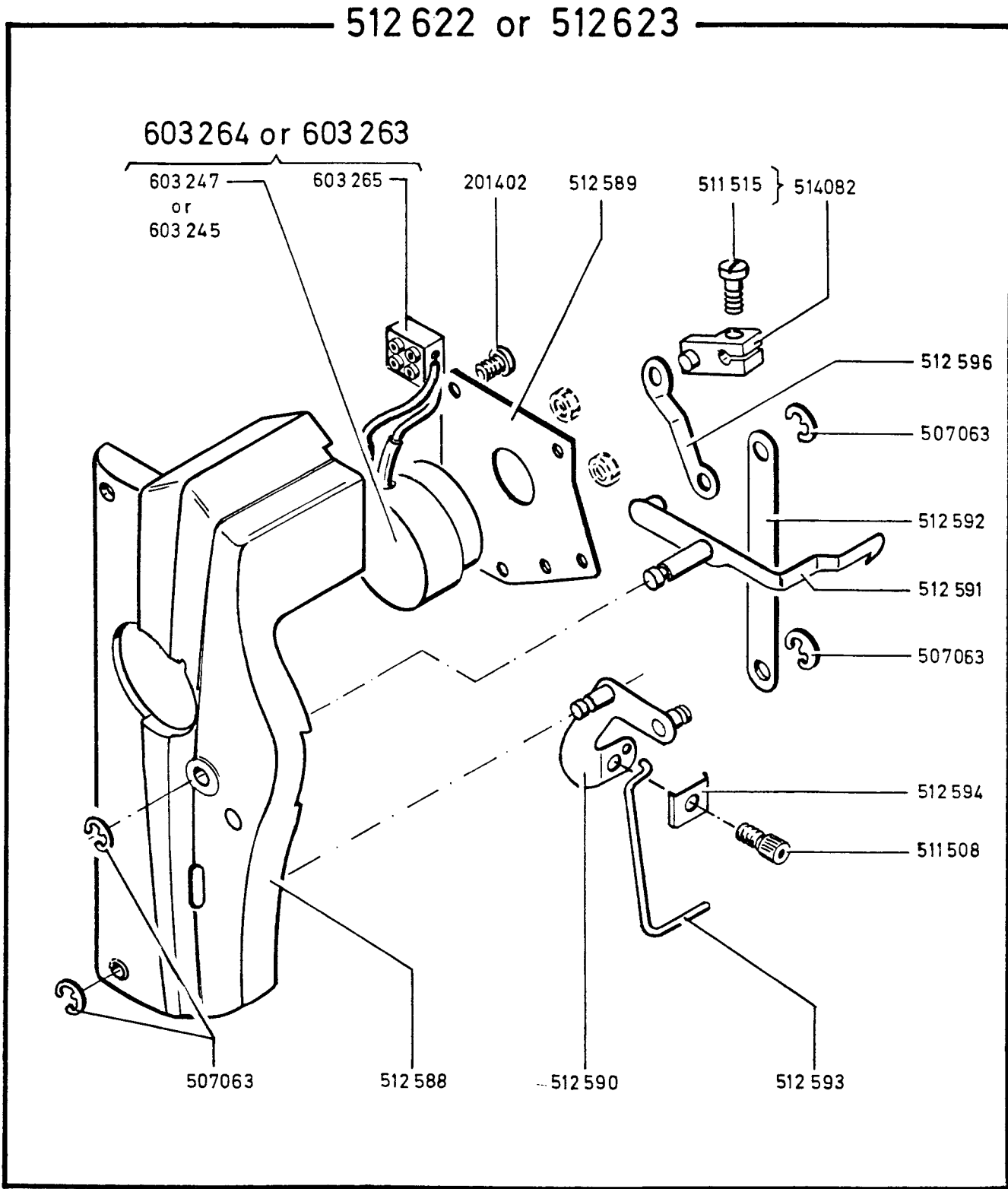
Parts for Machine 212 G 440-01, 212 G 440-02



PARTS FOR MACHINE CLASS 212 (-01 = USA, -02 = EUROPE)

PART NO.	G 440		G 441		NAME
	-01	-02	-01	-02	
201402-819	x	x	x	x	THREAD WIPER AND PULLER SOLENOID MOUNTING PLATE SECURING SCREW (5)
507063	x	x	x	x	THREAD WIPER CRANK RETAINING RING (2)
507063	x	x	x	x	THREAD WIPER CRANK CONNECTING LINK RETAINING RING
507063	x	x	x	x	THREAD WIPER AND PULLER DRIVING CRANK RETAINING RING
511508-869	x	x	x	x	THREAD WIPER CLAMP SECURING SCREW
511515-869	x	x	x	x	THREAD WIPER AND PULLER DRIVING CRANK PINCH SCREW
512588	x	x	x	x	FACE PLATE
512589	x	x	x	x	THREAD WIPER AND PULLER SOLENOID MOUNTING PLATE
512590	x	x	x	x	THREAD WIPER CRANK
512591	x	x	x	x	THREAD PULLER
512592	x	x	x	x	THREAD WIPER CRANK CONNECTING LINK
512593	x	x	x	x	THREAD WIPER
512594	x	x	x	x	THREAD WIPER CLAMP
512596	x	x	x	x	THREAD WIPER AND PULLER DRIVING LINK
512622	x	-	x	-	FACE PLATE WITH PULLER DRIVING CRANK CPL. NOS. 511508, 512588, 512589, 512590, 512591, 512592, 512593, 512594, 512596, 514082, 603264, FOUR 507063 AND FIVE 201402
512623	-	x	-	x	FACE PLATE WITH PULLER DRIVING CRANK CPL. NOS. 511508, 512588, 512589, 512590, 512591, 512592, 512593, 512594, 512596, 514082, 603263, FOUR 507063 AND FIVE 201402
603245	-	x	-	x	ROTARY SOLENOID
603247	x	-	x	-	ROTARY SOLENOID
603263	-	x	-	x	ROTARY SOLENOID CPL. NOS. 603245 AND 603265
603264	x	-	x	-	ROTARY SOLENOID CPL. NOS. 603247 AND 603265
603265	x	x	x	x	ELECTRIC TERMINAL
514082	x	x	x	x	THREAD WIPER AND PULLER DRIVING CRANK WITH 511515

Parts for Machine 212 G 440-01, 212 G 440-02

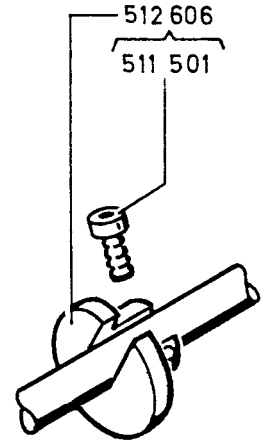
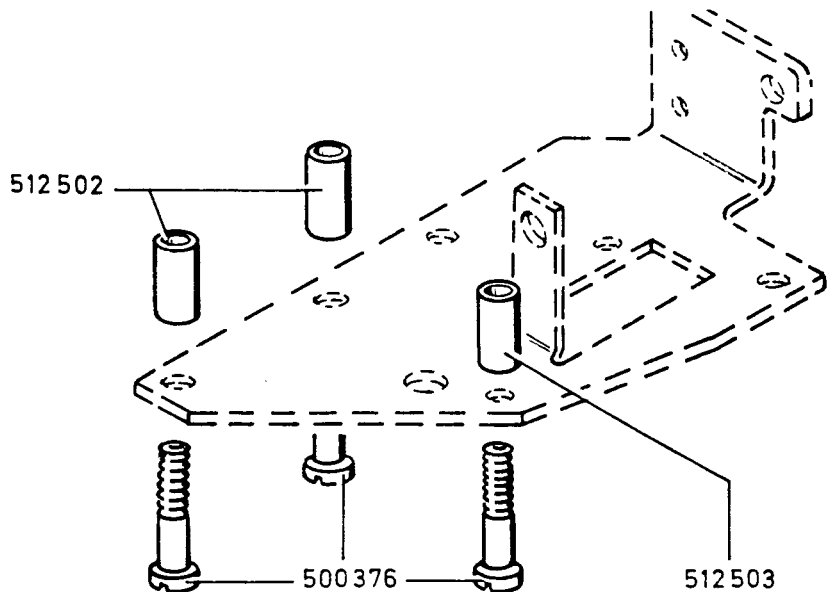
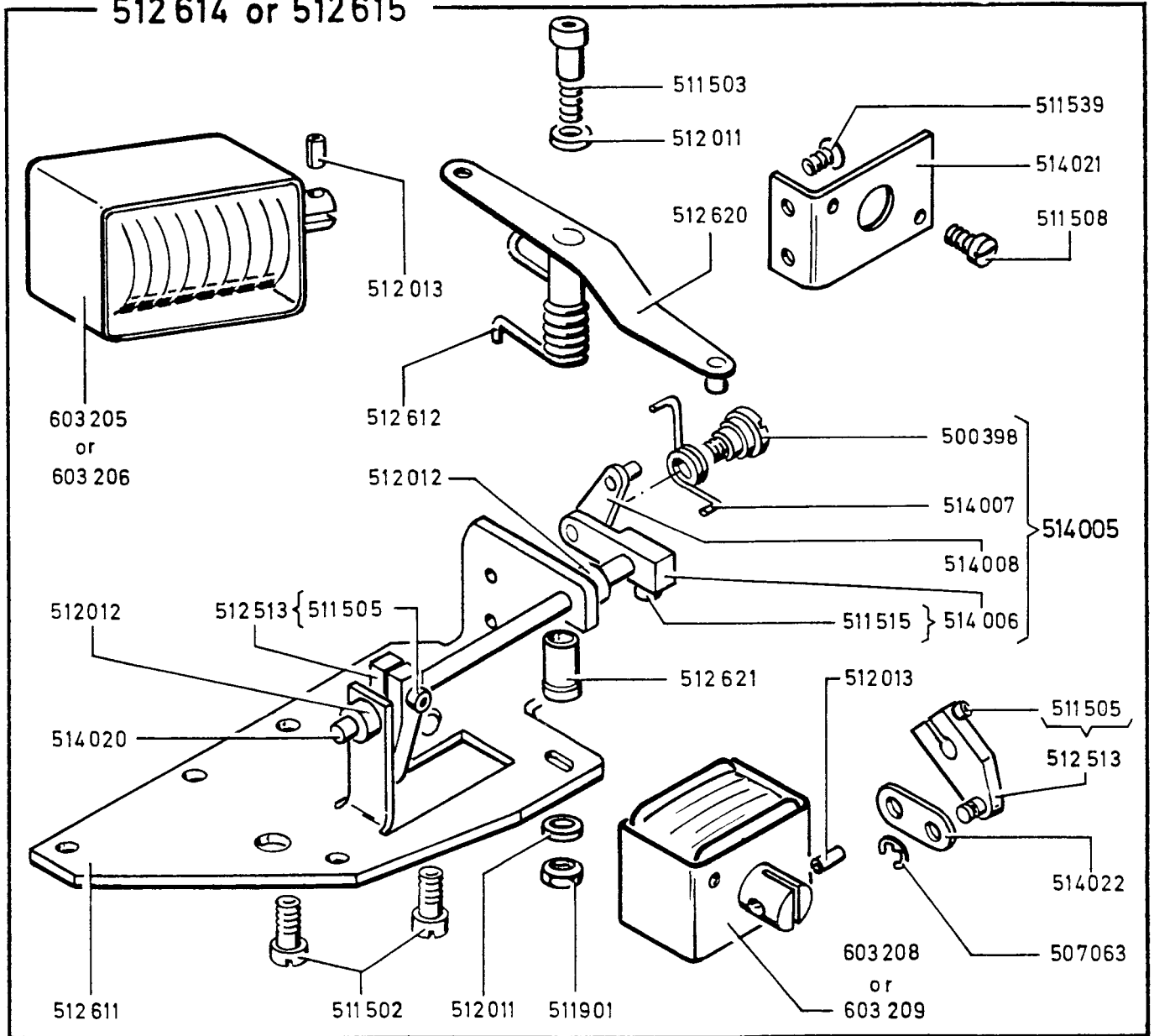


PARTS FOR MACHINE CLASS 212 (-01 = USA, -02 = EUROPE)

PART NO.	G 440		G 441		NAME
	-01	-02	-01	-02	
500376-850	x	x	x	x	THREAD PULLER ACTUATING LEVER DRIVE SOLENOID MOUNTING PLATE SCREW (3)
500398-850	x	x	x	x	THREAD TRIMMING KNIFE CONTROL CAM FOLLOWER HINGE SCREW
507063	x	x	x	x	THREAD TRIMMING KNIFE ACTUATING SOLENOID CONNECTING LINK RETAINING RING
511501-869	x	x	x	x	THREAD TRIMMING KNIFE CONTROL CAM SET SCREW (2)
511502-869	x	x	x	x	THREAD PULLER ACTUATING LEVER DRIVE SOLENOID SECURING SCREW (2)
511503-869	x	x	x	x	THREAD PULLER ACTUATING LEVER HINGE SCREW
511505-869	x	x	x	x	THREAD TRIMMING KNIFE DRIVE CRANK PINCH SCREW
511505-869	x	x	x	x	THREAD TRIMMING KNIFE ACTUATING SOLENOID CONNECTING PINCH SCREW (2)
511508-869	x	x	x	x	THREAD TRIMMING KNIFE ACTUATING SOLENOID MOUNTING SCREW (2)
511515-869	x	x	x	x	THREAD TRIMMING KNIFE CONTROL CAM FOLLOWER CRANK PINCH SCREW
511539-850	x	x	x	x	THREAD TRIMMING KNIFE ACTUATING SOLENOID BRACKET MOUNTING SCREW (2)
511901-830	x	x	x	x	THREAD PULLER ACTUATING LEVER HINGE SCREW NUT
512011	x	x	x	x	THREAD PULLER ACTUATING LEVER HINGE SCREW WASHER (2)
512012	x	x	x	x	THREAD TRIMMING KNIFE CONTROL SHAFT
512013	x	x	x	x	THREAD PULLER ACTUATING LEVER DRIVE SOLENOID CONNECTING ROLL PIN
512013	x	x	x	x	THREAD TRIMMING KNIFE ACTUATING SOLENOID CONNECTING ROLL PIN
512502	x	x	x	x	THREAD PULLER ACTUATING LEVER DRIVE SOLENOID MOUNTING PLATE SPACER SLEEVE (2)
512503	x	x	x	x	THREAD PULLER ACTUATING LEVER DRIVE SOLENOID MOUNTING PLATE SPACER SLEEVE
512513	x	x	x	x	THREAD TRIMMING KNIFE CONTROL CRANK WITH 511505
512513	x	x	x	x	THREAD TRIMMING KNIFE ACTUATING SOLENOID CONNECTING CRANK WITH 511505
512606	x	x	x	x	THREAD TIMMING KNIFE CONTROL CAM WITH TWO 511501
512611	x	x	x	x	THREAD TRIMMING KNIFE CONTROL CAM FOLLOWER RETAINER PAWL
512612	x	x	x	x	THREAD PULLER ACTUATING LEVER TORSION SPRING
512614	x	-	x	-	THREAD PULLER ACTUATING LEVER DRIVE SOLENOID MOUNTING PLATE CPL. NOS. 507063, 511503, 511901, 512611, 512612, 512620, 512621, 514005, 514020, 514021, 514022, 603206, 603209, TWO EACH

Parts for Machine No. 212 G 440-01, 212 G 440-02

512 614 or 512615

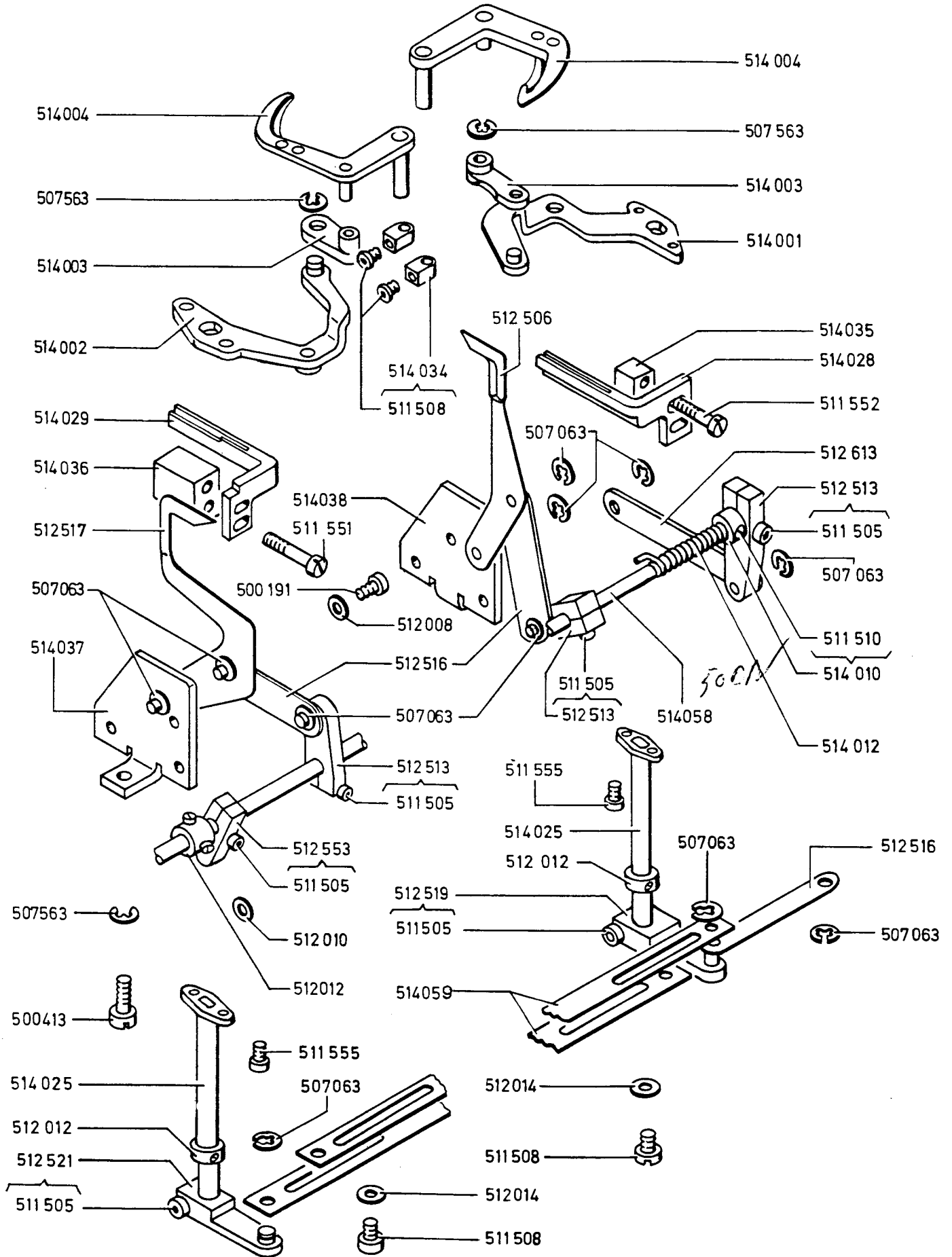


PARTS FOR MACHINE CLASS 212

(-01 = USA, -02 = EUROPE)

PART NO.	G 440		G 441		NAME
	-01	-02	-01	-02	
500191-850	x	x	x	x	THREAD KNIFE RETAINING PLATE (4)
500413-850	x	x	x	x	THREAD TRIMMING KNIFE HEIGHT ADJUSTING SCREW (2)
507063	x	x	x	x	THREAD PULLER ACTUATING LINK RETAINING RING (3)
507063	x	x	x	x	THREAD TRIMMING KNIFE RETAINING RING (4)
507063	x	x	x	x	THREAD TRIMMING KNIFE CONTROL LINK RETAINING RING (2)
507063	x	x	x	x	THREAD TRIMMING KNIFE DRIVING LINK RETAINING RING (4)
507563	x	x	x	x	THREAD PULLER DRIVE LINK RETAINING RING (2)
507563	x	x	x	x	THREAD TRIMMING KNIFE HEIGHT ADJUSTING SCREW RETAINING RING (2)
511505-869	x	x	x	x	THREAD TRIMMING KNIFE DRIVE SHAFT STOP CRANK PINCH SCREW
511505-869	x	x	x	x	THREAD TRIMMING KNIFE DRIVE CRANK PINCH SCREW (3)
511505-869	x	x	x	x	THREAD PULLER ACTUATING CRANK PINCH SCREW (RIGHT AND LEFT)(2)
511508-869	x	x	x	x	THREAD PULLER ACTUATING LINK SET SCREW (2)
511508-869	x	x	x	x	THREAD PULLER ADJUSTING COLLAR SET SCREW (2)
511510-869	x	x	x	x	THREAD TRIMMING KNIFE DRIVE SHAFT RETURN SPRING ADJUSTING COLLAR SET SCREW (2)
511551-869	x	x	x	x	THREAD TRIMMING KNIFE GUIDE (LEFT) SECURING SCREW (2)
511552-869	x	x	x	x	THREAD TRIMMING KNIFE GUIDE (RIGHT) SECURING SCREW (2)
511555-850	x	x	x	x	THREAD PULLER DRIVE CAM FOLLOWER SECURING SCREW (4)
512008	x	x	x	x	THREAD TRIMMING KNIFE RETAINING PLATE SECURING SCREW WASHER (4)
512010	-	x	-	x	THREAD TRIMMING KNIFE DRIVE SHAFT STOP CRANK SPACER WASHER
512012	x	x	x	x	THREAD TRIMMING KNIFE DRIVE SHAFT COLLAR
512012	x	x	x	x	THREAD PULLER DRIVE CAM FOLLOWER SHAFT ADJUSTING COLLAR (2)
512014	x	x	x	x	THREAD PULLER ADJUSTING LINK SECURING SCREW WASHER (2)
512506	x	x	x	x	THREAD TRIMMING KNIFE (RIGHT) CPL.
512513	x	x	x	x	THREAD TRIMMING KNIFE DRIVE CRANK WITH 511505 (3)
512516	x	x	x	x	THREAD PULLER ACTUATING LINK
512516	x	x	x	x	THREAD TRIMMING KNIFE DRIVING LINK (RIGHT AND LEFT) (2)
512517	x	x	x	x	THREAD TRIMMING KNIFE (LEFT) CPL.
512519	x	x	x	x	THREAD PULLER ACTUATING CRANK (RIGHT) WITH 511505

Parts for Machine No. 212 G 440-01, 212 G 440-02

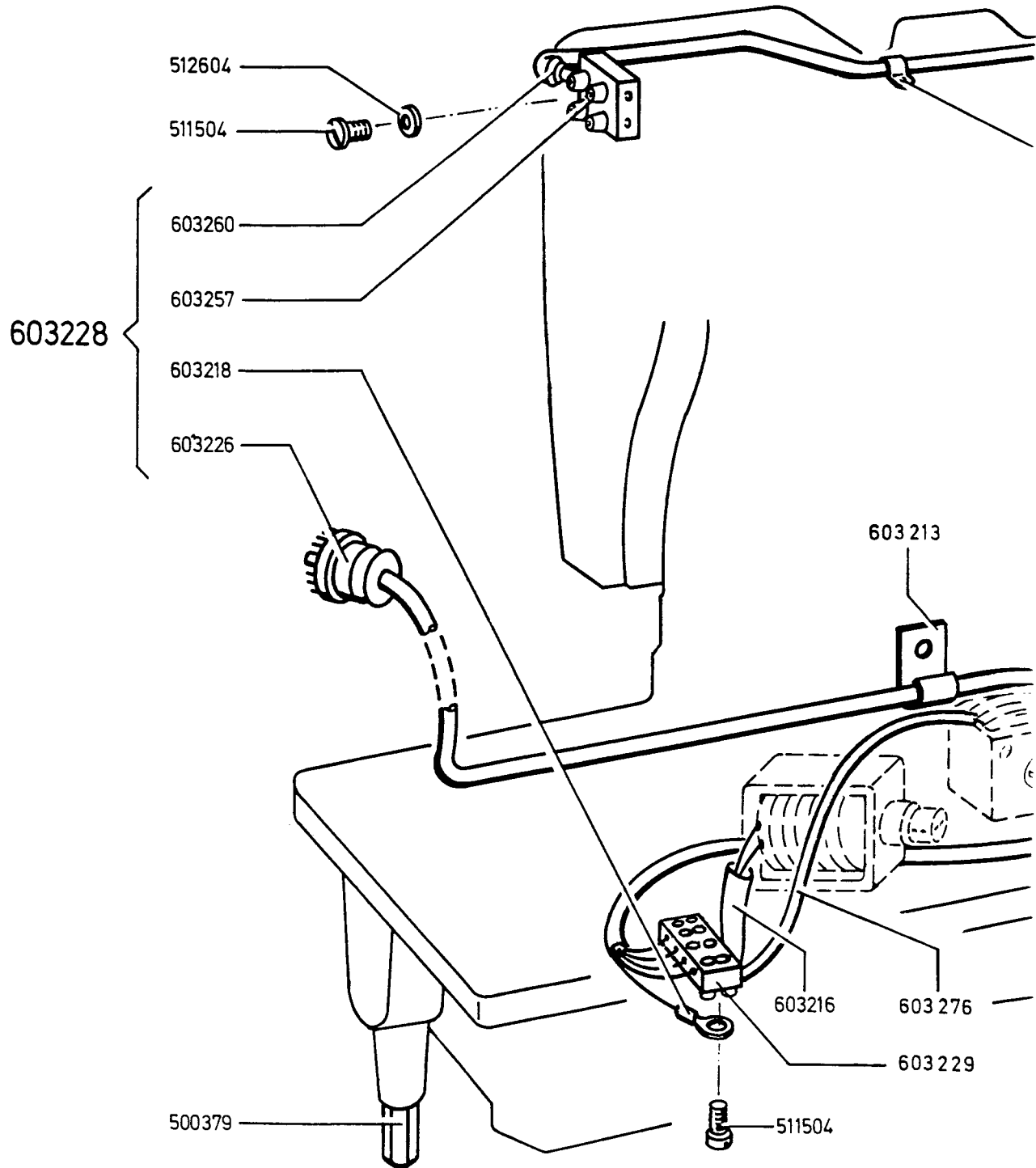


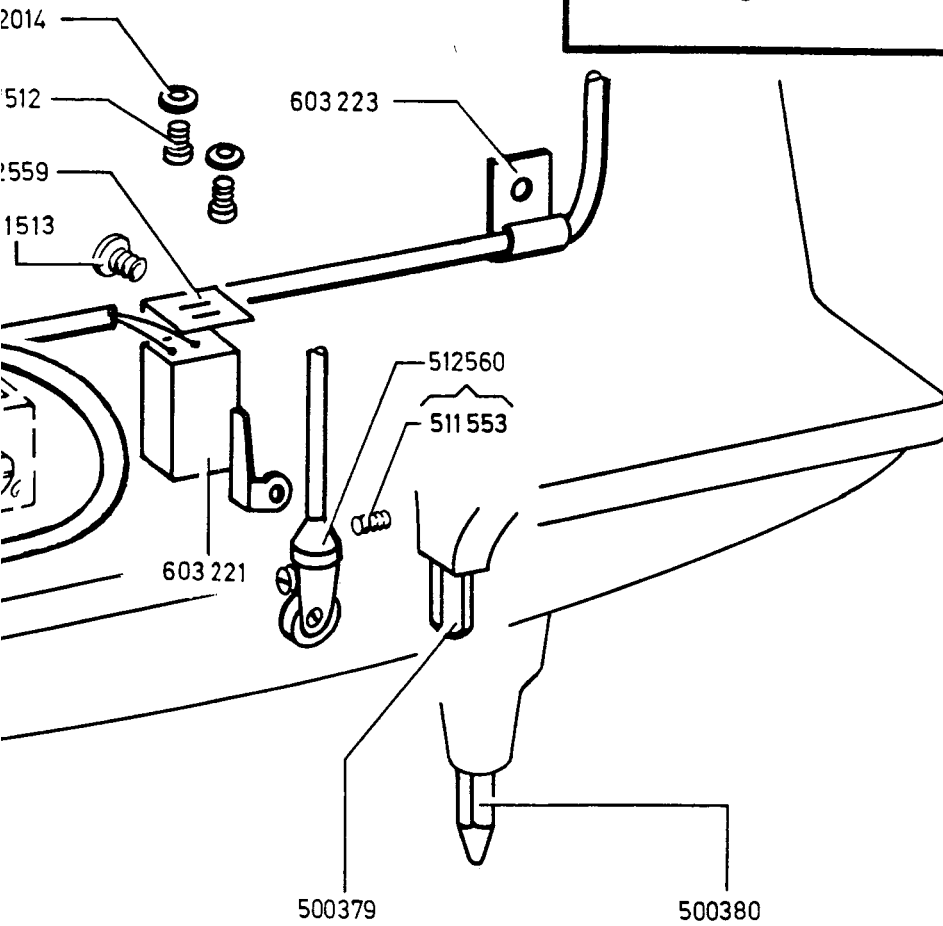
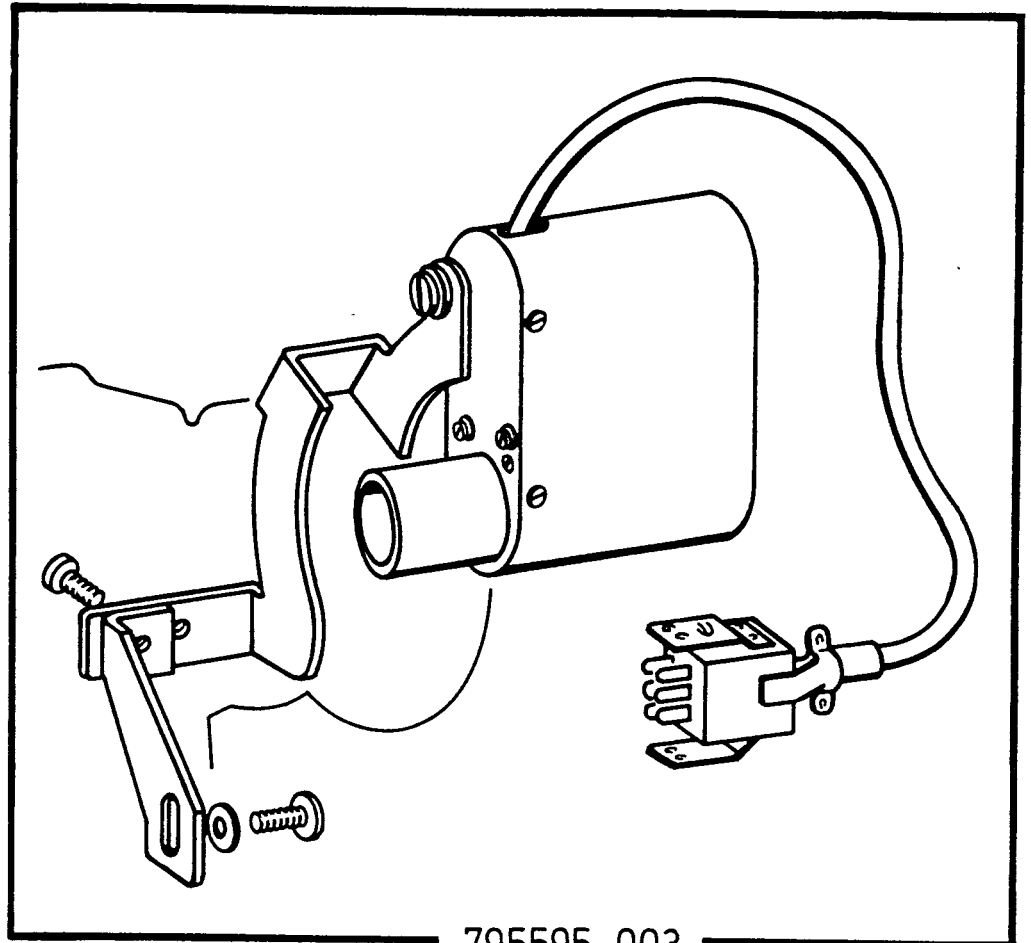
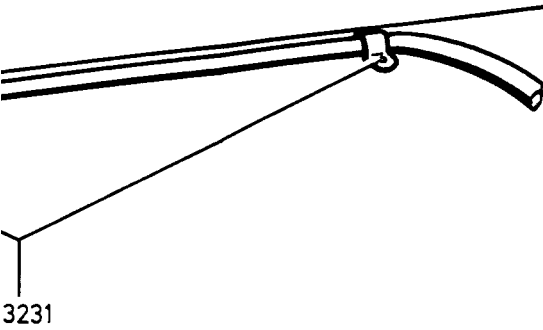
PARTS FOR MACHINE CLASS 212

(-01 = USA, -02 = EUROPE)

PART NO.	G 440		G 441		NAME
	-01	-02	-01	-02	
500379-819	x	-	x	-	MACHINE LEG (2)
500380-819	x	-	x	-	MACHINE LEG
511504-833	x	-	x	-	ELECTRIC TERMINAL (LOWER) SECURING SCREW (2)
511504-833	x	-	x	-	ELECTRIC TERMINAL (UPPER) SECURING SCREW
511512-869	x	-	x	-	MICRO SWITCH MOUNTING BRACKET SECURING SCREW (2)
511513-869	x	-	x	-	MICRO SWITCH SECURING SCREW (2)
511514-869	x	-	x	-	MICRO SWITCH ACTUATING CAM SET SCREW
512014	x	-	x	-	MICRO SWITCH MOUNTING BRACKET SECURING SCREW WASHER (2)
512559	x	-	x	-	MICRO SWITCH MOUNTING BRACKET
512560	x	-	x	-	MICRO SWITCH ACTUATING CAM
512604	x	-	x	-	ELECTRIC TERMINAL (UPPER) SECURING SCREW WASHER
603213	x	-	x	-	CABLE CLAMP (LEFT)
603216	x	-	x	-	INSULATOR TUBING
603218	x	-	x	-	GROUND WIRE RING TERMINAL
603221	x	-	x	-	MICRO SWITCH
603223	x	-	x	-	CABLE CLAMP (RIGHT)
603226	x	-	x	-	AMPHENOL PLUG (MALE)
603228	x	-	x	-	WIRE HARNESS CPL.
603229	x	-	x	-	ELECTRIC TERMINAL (LOWER)
603231	x	-	x	-	CABLE CLAMP (UPPER) (2)
603257	x	-	x	-	ELECTRIC TERMINAL (UPPER)
603260	x	-	x	-	LOAD RELIEVING GROMMET
603276	x	-	x	-	INSULATOR TUBING
795595-003	x	-	x	-	SYNCHRONIZER (DIEHL)

Parts for Machine 212 G 440-01 and 212 G 441-01



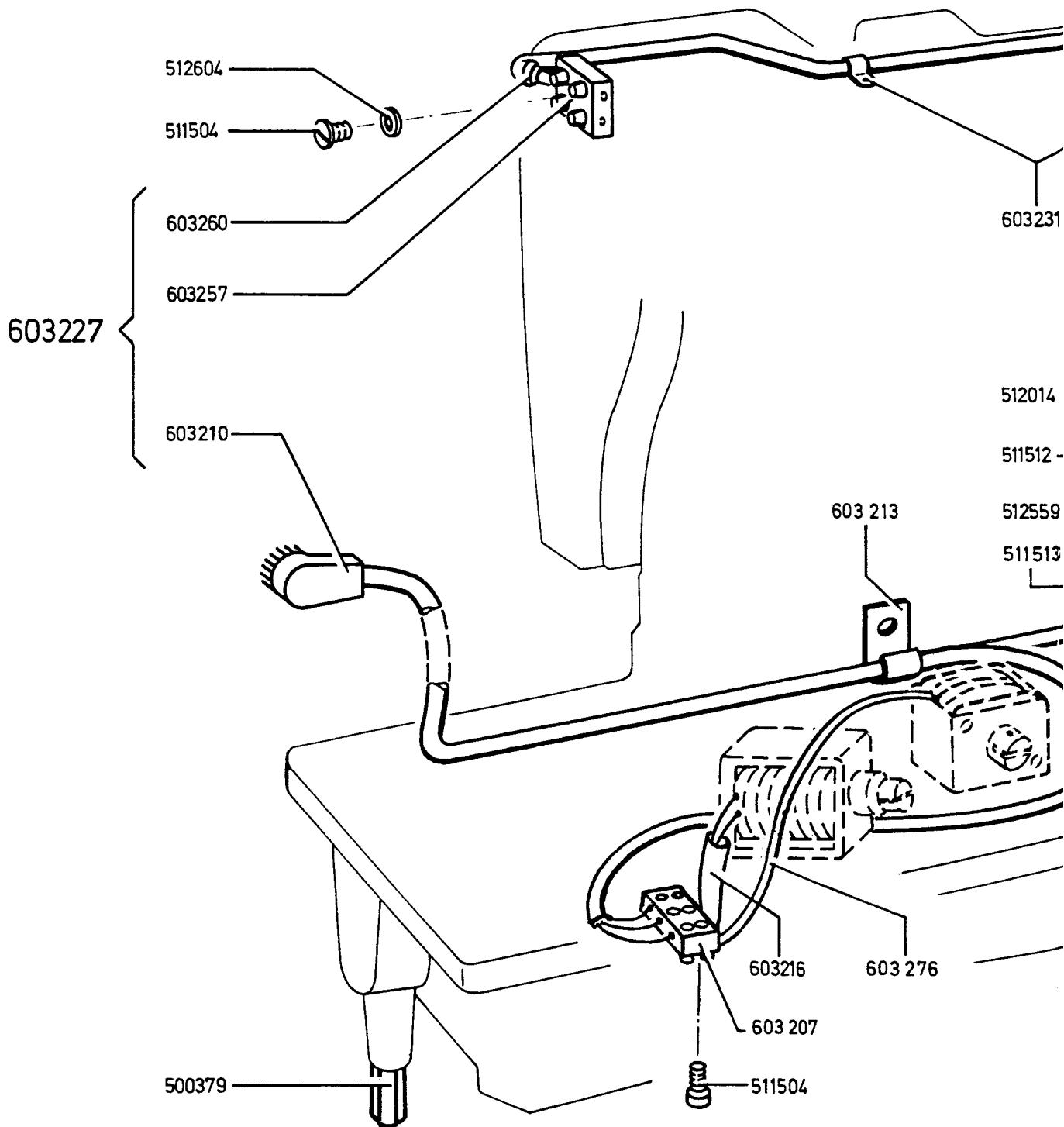


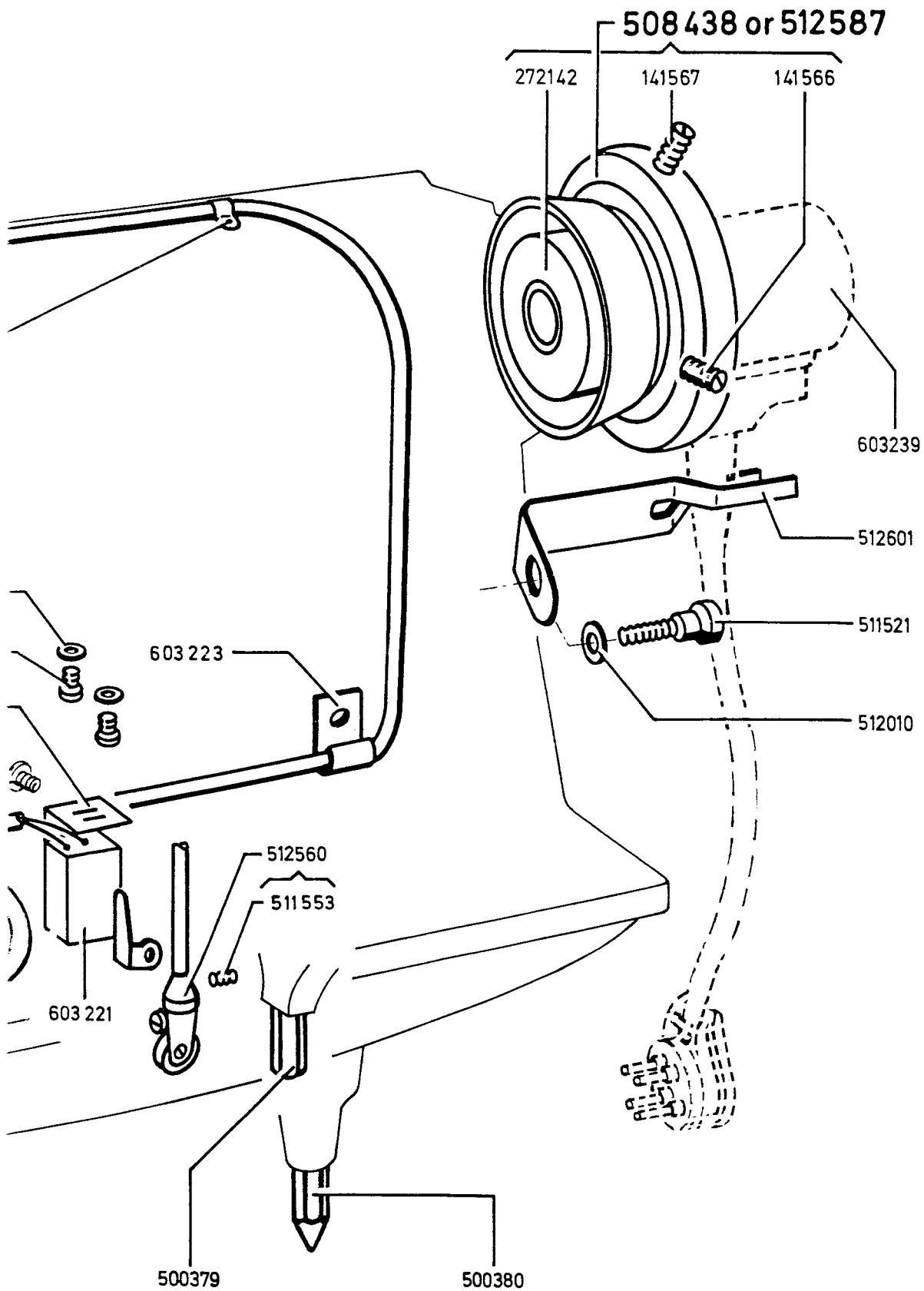
PARTS FOR MACHINE CLASS 212

(-01 = USA, -02 = EUROPE)

PART NO.	G 440		G 441		NAME
	-01	-02	-01	-02	
141566-833	x	x	x	x	MACHINE PULLEY POSITION SCREW
141567-833	x	x	x	x	MACHINE PULLEY SET SCREW
272142	x	x	x	x	ARM SHAFT BALL BEARING (BACK)
500379-819	-	x	-	x	MACHINE LEG (2)
500380-819	-	x	-	x	MACHINE LEG
508438	x	x	-	-	MACHINE PULLEY CPL.
511504-833	-	x	-	x	ELECTRIC TERMINAL (LOWER) SECURING SCREW (2)
511504-833	-	x	-	x	ELECTRIC TERMINAL (UPPER) SECURING SCREW
511512-869	-	x	-	x	MICRO SWITCH MOUNTING BRACKET SECURING SCREW (2)
511513-869	-	x	-	x	MICRO SWITCH SECURING SCREW (2)
512514-869	-	x	-	x	MICRO SWITCH ACTUATING CAM SET SCREW
511521	-	x	-	x	SYNCHRONIZER BRACKET SECURING SCREW
512010	-	x	-	x	SYNCHRONIZER BRACKET SECURING SCREW WASHER
512014	-	x	-	x	MICRO SWITCH MOUNTING BRACKET SECURING SCREW WASHER (2)
512559	-	x	-	x	MICRO SWITCH MOUNTING BRACKET
512560	-	x	-	x	MICRO SWITCH ACTUATING CAM
512587	-	x	-	x	MACHINE PULLEY CPL.
512601	-	x	-	x	SYNCHRONIZER BRACKET
512604	-	x	-	x	ELECTRIC TERMINAL (UPPER) SECURING SCREW WASHER
603207	-	x	-	x	ELECTRIC TERMINAL (LOWER)
603210	-	x	-	x	PLUG (MALE, 10 PRONG)
603213	-	x	-	x	CABLE CLAMP (LEFT)
603216	-	x	-	x	INSULATOR TUBING
603221	-	x	-	x	MICRO SWITCH
603223	-	x	-	x	CABLE CLAMP
603227	-	x	-	x	WIRE HARNESS CPL.
603231	-	x	-	x	CABLE CLAMP (UPPER) (2)
603239	-	x	-	x	SYNCHRONIZER "B"
603257	-	x	-	x	ELECTRIC TERMINAL (UPPER)
603260	-	x	-	x	LOAD RELIEVING GROMMET
603276	-	x	-	x	INSULATOR TUBING

Parts for Machine No. 212 G 440-02 and 212 G 441-02



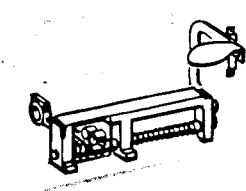
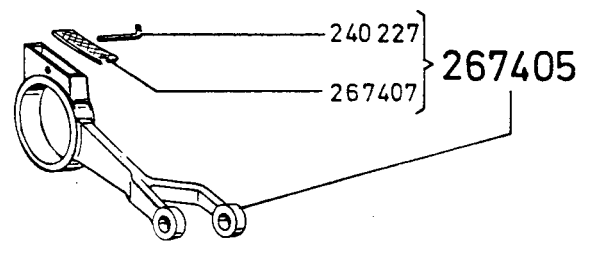
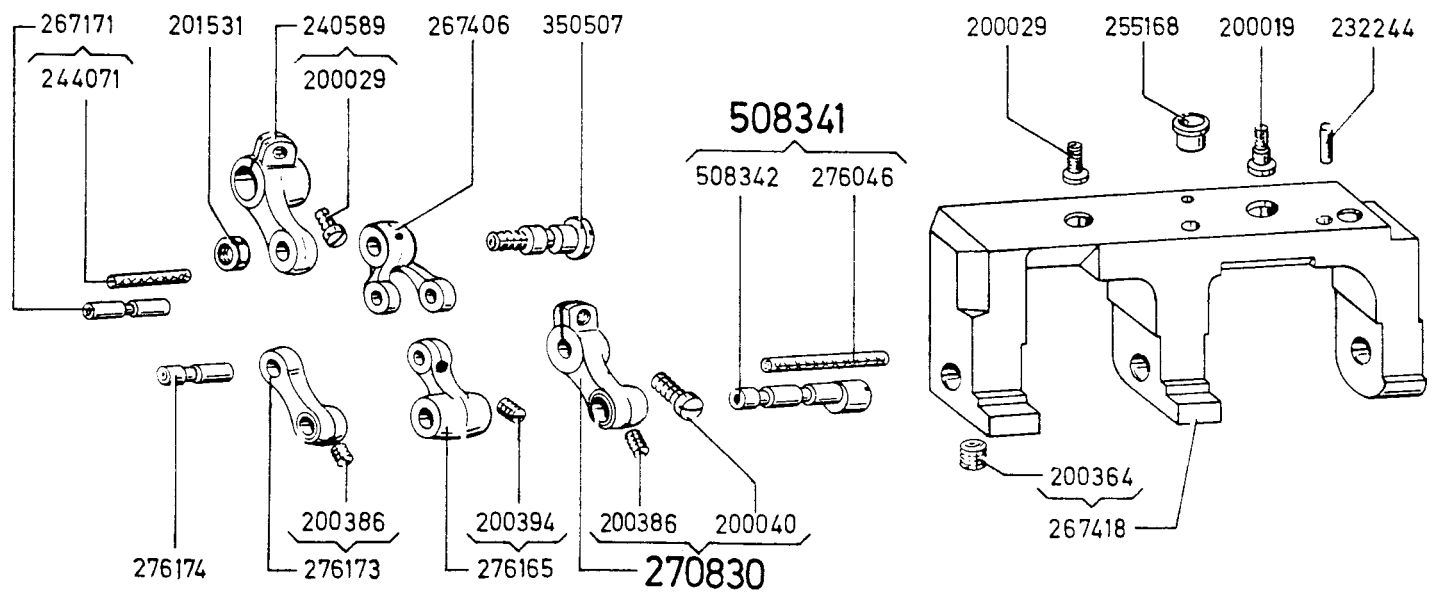
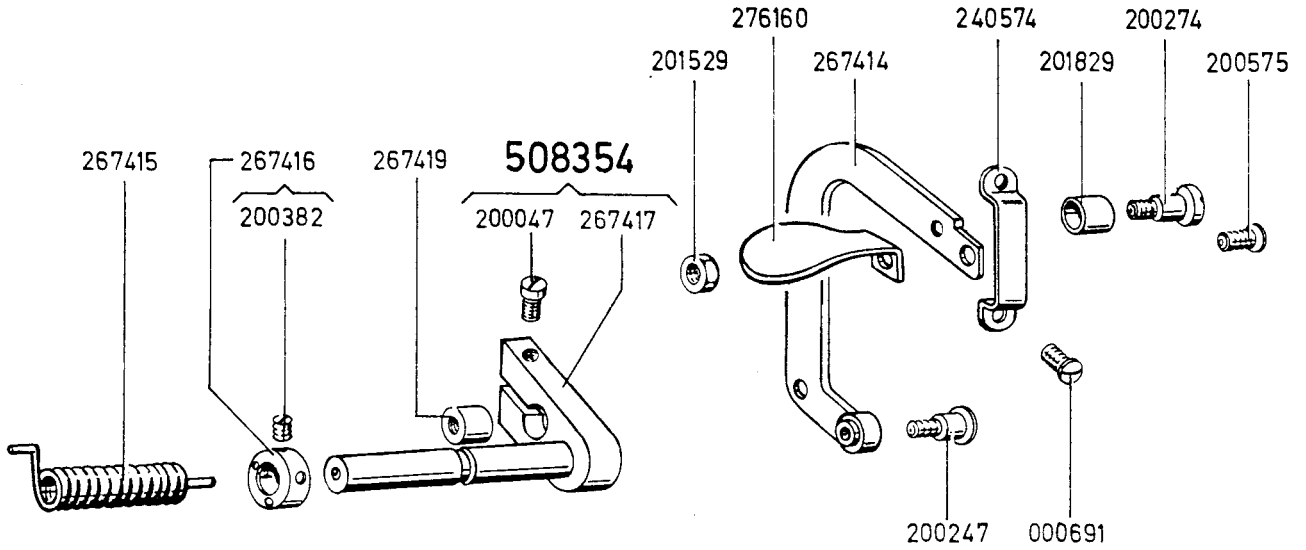


PARTS FOR MACHINE CLASS 212 (-01 = USA, -02 = EUROPE)

PART NO.	G 440		G 441		NAME
	-01	-02	-01	-02	
000691-806	-	-	x	x	FEED REVERSING LEVER GUIDE ROLLER POSITION SCREW (2)
200019-805	-	-	x	x	FEED REVERSING SHAFT BRACKET SCREW (RIGHT)
200029-805	-	-	x	x	FEED REVERSING SHAFT BRACKET SCREW (LEFT)
200029-805	-	-	x	x	FEED DRIVING ROCK SHAFT CRANK PINCH SCREW
200040-830	-	-	x	x	FEED REVERSING SHAFT CRANK PINCH SCREW
200047-805	-	-	x	x	FEED REVERSING SHAFT DRIVING STUD PINCH SCREW
200247-803	-	-	x	x	FEED REVERSING LEVER HINGE SCREW
200274-803	-	-	x	x	FEED REVERSING LEVER GUIDE ROLLER SCREW STUD
200364-803	-	-	x	x	FEED REVERSING MECHANISM SUPPORT LINK STUD SET SCREW
200382-833	-	-	x	x	FEED REVERSING LEVER SPRING COLLAR SET SCREW (2)
200386-803	-	-	x	x	FEED REVERSING SHAFT CRANK HINGE STUD SET SCREW
200386-803	-	-	x	x	FEED REVERSING SHAFT CRANK HINGE STUD SET SCREW
200394-803	-	-	x	x	FEED DRIVING ECCENTRIC CONNECTION LINK HINGE PIN SET SCREW
200575-819	-	-	x	x	FEED REVERSING LEVER HANDLE SCREW
201529-819	-	-	x	x	FEED REVERSING LEVER HANDLE SCREW NUT
201531-805	-	-	x	x	FEED DRIVING ROCK SHAFT CRANK HINGE SCREW NUT
201829	-	-	x	x	FEED REVERSING LEVER GUIDE ROLLER
232244	-	-	x	x	FEED REVERSING SHAFT BRACKET POSITION PIN (2)
240227	-	-	x	x	FEED DRIVING ECCENTRIC CONNECTION OILING FELT RETAINING WIRE
240574	-	-	x	x	FEED REVERSING LEVER GUIDE ROLLER POSITION PLATE
240589	-	-	x	x	FEED DRIVING ROCK SHAFT CRANK WITH 200029
244071	-	-	x	x	FEED DRIVING ECCENTRIC CONNECTION LINK HINGE PIN OIL PACKING (WICK)
255168	-	-	x	x	BED OIL CUP (2)
267405	-	-	x	x	FEED DRIVING ECCENTRIC CONNECTION WITH 240227 AND 267407
267406	-	-	x	x	FEED DRIVING ECCENTRIC CONNECTION LINK
267407	-	-	x	x	FEED DRIVING ECCENTRIC CONNECTION OILING FELT

Parts for Machine No. 212 G 441-01 and 212 G 441-02

For Parts not illustrated and/or indicated by reference numbers, refer to Machine 212 G 440

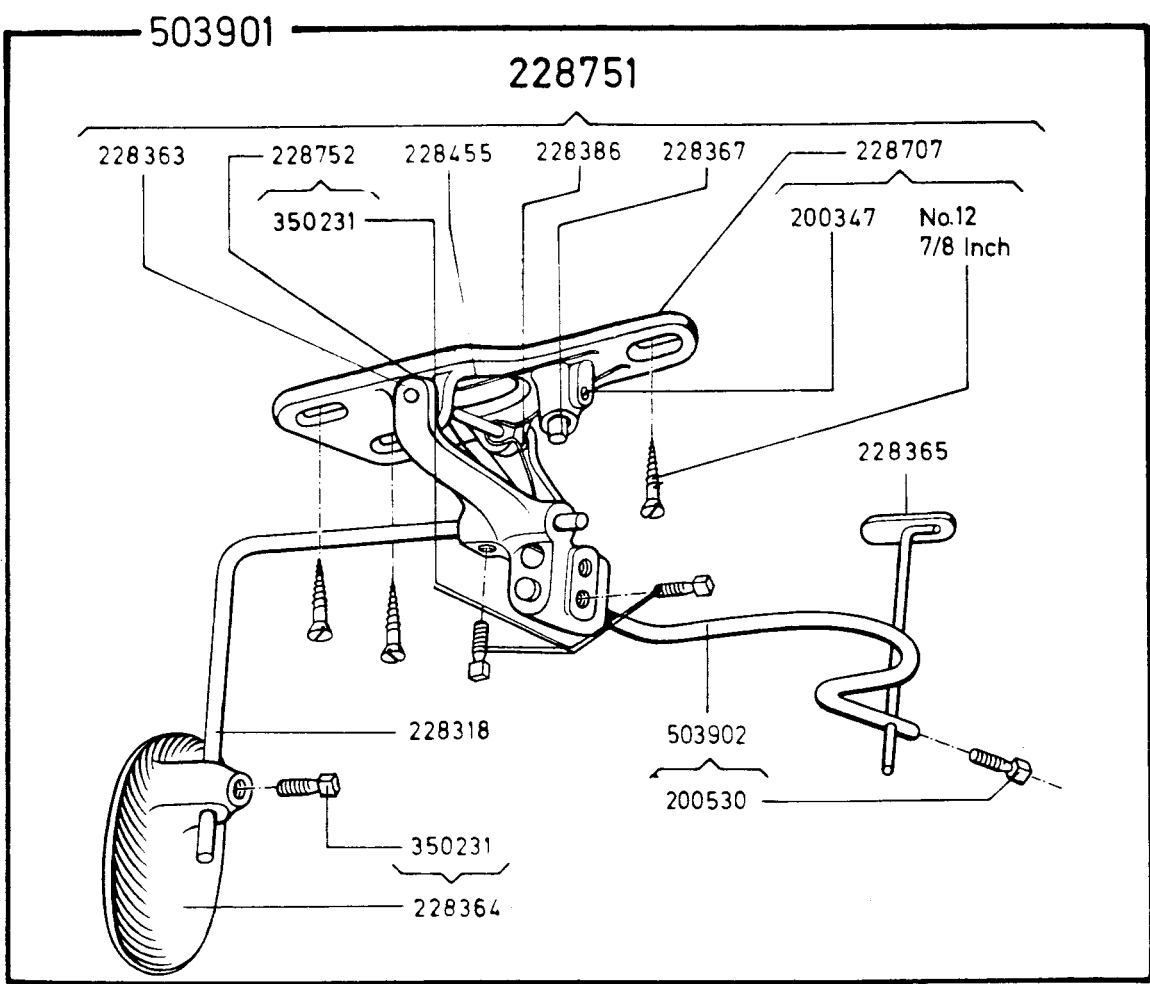
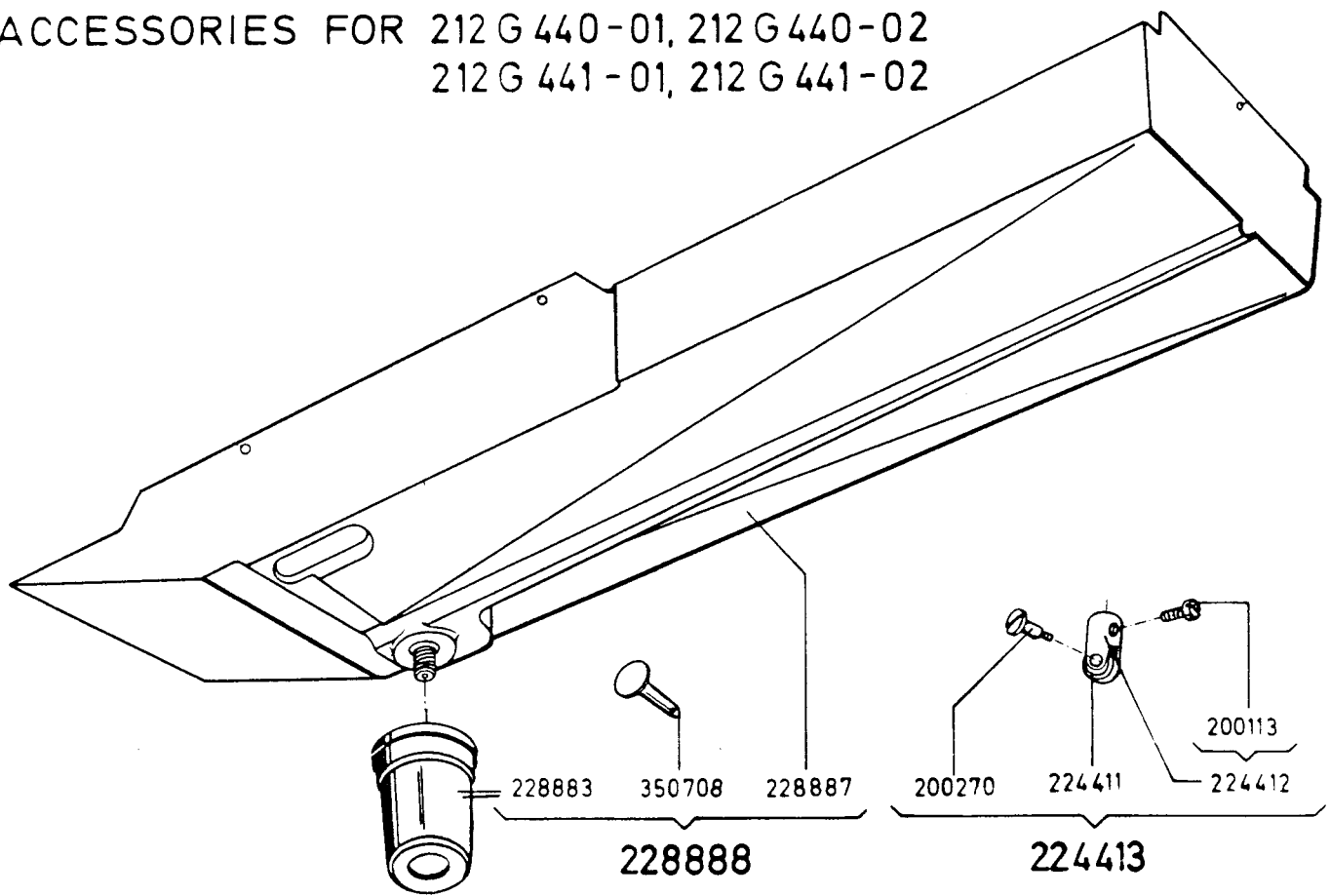


PARTS FOR MACHINE CLASS 212

(-01 = USA, -02 = EUROPE)

PART NO.	G 440		G 441		NAME
	-01	-02	-01	-02	
NO. 12	x	x	x	x	KNEE LIFTER ROCK LEVER WOOD SCREW 7/8 INCH NO. 12 (3)
200113-806	x	x	x	x	KNEE LIFTER CONNECTION LEVER LIFTING ROD ROLLER BRACKET SET SCREW
200270-819	x	x	x	x	KNEE LIFTER CONNECTION LEVER LIFTING ROD ROLLER HINGE SCREW
200347-830	x	x	x	x	KNEE LIFTER ROCK LEVER STOP STUD SET SCREW
200530-803	x	x	x	x	KNEE LIFTER ROCK LEVER ROD SET SCREW
224411	x	x	x	x	KNEE LIFTER CONNECTION LEVER LIFTING ROD ROLLER
224412	x	x	x	x	KNEE LIFTER CONNECTION LEVER LIFTING ROD ROLLER BRACKET WITH 200113
224413	x	x	x	x	KNEE LIFTER CONNECTION LEVER LIFTING ROD ROLLER BRACKET CPL. NOS. 200270, 224411 AND 224412
228318	x	x	x	x	KNEE LIFTER ROCK LEVER KNEE PLATE ARM
228363	x	x	x	x	KNEE LIFTER ROCK LEVER HINGE PIN
228364	x	x	x	x	KNEE LIFTER ROCK LEVER KNEE PLATE WITH 350231
228365	x	x	x	x	KNEE LIFTER ROCK LEVER ROD
228367	x	x	x	x	KNEE LIFTER ROCK LEVER STOP STUD
228386	x	x	x	x	KNEE LIFTER ROCK LEVER SPRING
228455	x	x	x	x	KNEE LIFTER ROCK LEVER POSITION SPRING
228707	x	x	x	x	KNEE LIFTER ROCK LEVER BRACKET WITH 200347 AND THREE WOOD SCREWS 7/8 INCH NO. 12
228751	x	x	x	x	KNEE LIFTER ROCK LEVER BRACKET WITH 228363, 228367, 228386, 228455, 228707 AND 228752
228752	x	x	x	x	KNEE LIFTER ROCK LEVER WITH TWO 350231
228883	x	x	x	x	DRIP PAN DRAIN JAR
228887	x	x	x	x	DRIP PAN
228888	x	x	x	x	DRIP PAN (PLASTIC) CPL. NOS. 228883, 228887 AND FIVE 350708
350231-803	x	x	x	x	KNEE LIFTER ROCK LEVER KNEE PLATE SET SCREW
350231-803	x	x	x	x	KNEE LIFTER ROCK LEVER EXTENSION SET SCREW AND KNEE LIFTER ROCK LEVER KNEE PLATE ARM SET SCREW (2)
350708	x	x	x	x	DRIP PAN (PLASTIC) SCREW NAIL (5)
503901	x	x	x	x	KNEE LIFTER ROCK LEVER CPL. NOS. 228318, 228364, 228365, 228751 AND 503902
503902	x	x	x	x	KNEE LIFTER ROCK LEVER EXTENSION WITH 200530

ACCESSORIES FOR 212 G 440-01, 212 G 440-02
212 G 441-01, 212 G 441-02

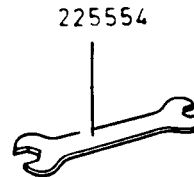
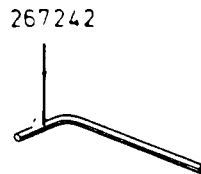
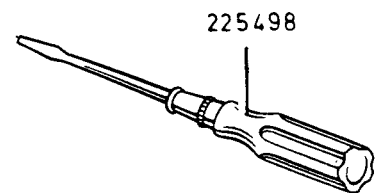
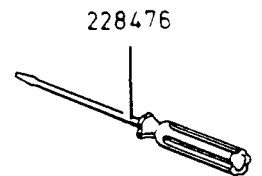
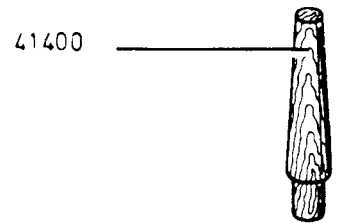
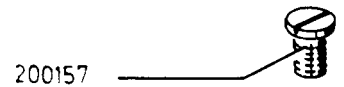
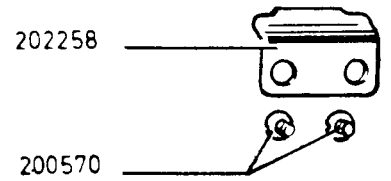
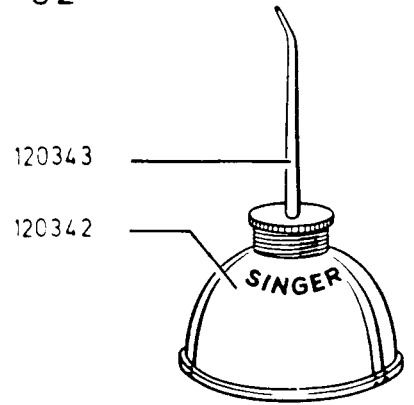
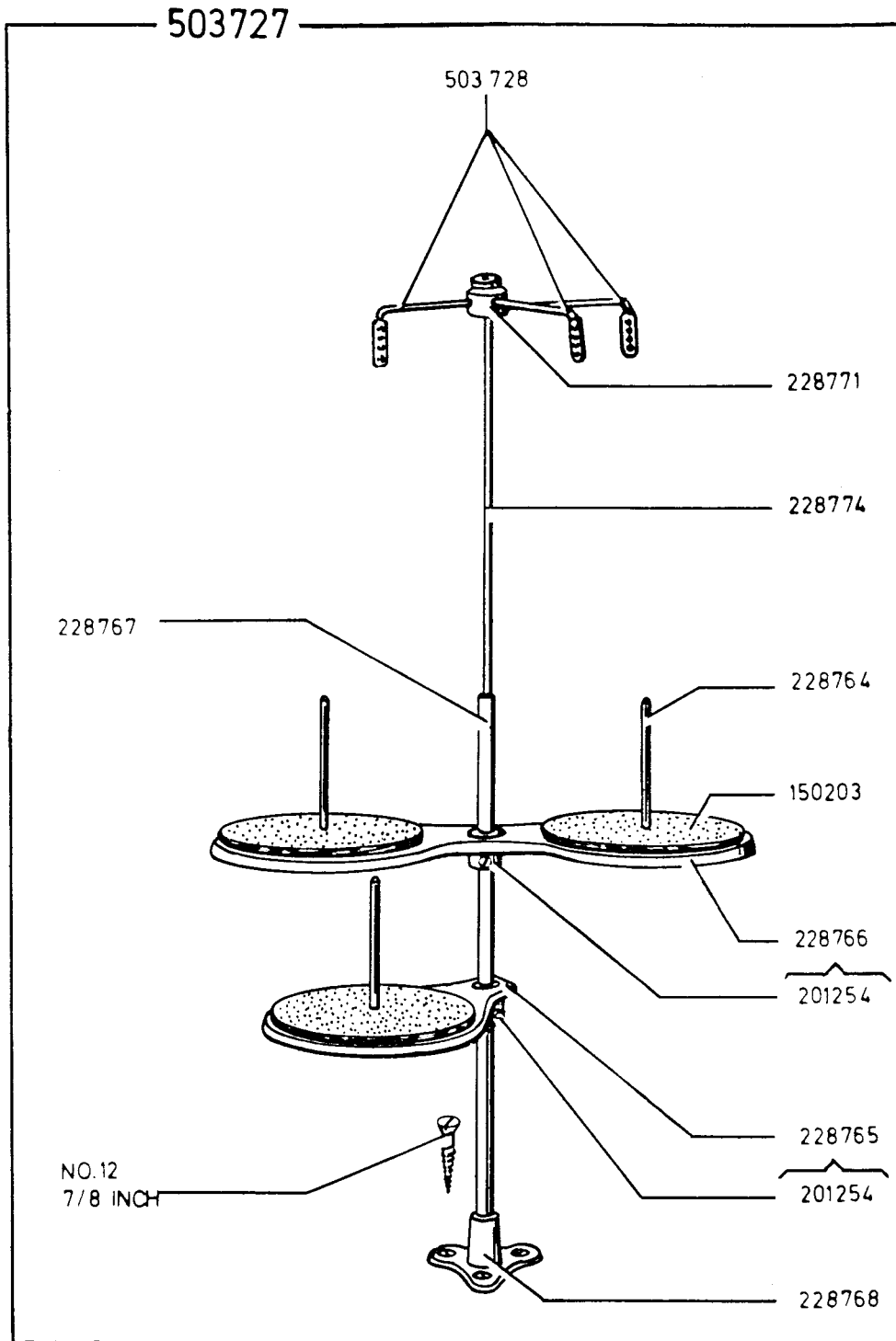


PARTS FOR MACHINE CLASS 212

(-01 = USA, -02 = EUROPE)

PART NO.	G 440		G 441		NAME
	-01	-02	-01	-02	
NO. 12	x	x	x	x	THREAD UNWINDER WOOD SCREW 7/8 INCH (3)
001901-18-2	x	x	x	x	NEEDLE (10)
041400	x	x	x	x	MACHINE REST PIN (WOOD)
120342	x	x	x	x	OILER (COPPER PLATED) WITH 120343
120343	x	x	x	x	OILER SPOUT 3-1/2 INCH LONG
150203	x	x	x	x	THREAD UNWINDER SPOOL REST CUSHION (FELT) (3)
200157	x	x	x	x	ATTACHMENT SCREW
200570-805	x	x	x	x	BED HINGE CONNECTION SCREW (4)
201254-803	x	x	x	x	THREAD UNWINDER SPOOL REST SET SCREW (FOR ONE SPOOL)
201254-803	x	x	x	x	THREAD UNWINDER SPOOL REST SET SCREW (FOR TWO SPOOLS)
202258	x	x	x	x	BED HINGE CONNECTION (2)
225498	x	x	x	x	SCREW DRIVER (7-1/4 INCH LONG)
225554	x	x	x	x	WRENCH
228476	x	x	x	x	SCREW DRIVER
228764	x	x	x	x	THREAD UNWINDER SPOOL PIN (3)
228765	x	x	x	x	THREAD UNWINDER SPOOL REST (FOR ONE SPOOL) (FLAT) WITH 201254
228766	x	x	x	x	THREAD UNWINDER SPOOL REST (FOR TWO SPOOLS) (FLAT) WITH 201254
228767	x	x	x	x	THREAD UNWINDER SPOOL REST ROD
228768	x	x	x	x	THREAD UNWINDER SPOOL STAND
228771	x	x	x	x	THREAD UNWINDER THREAD GUIDE HOLDER (FOR THREE GUIDES)
228774	x	x	x	x	THREAD UNWINDER THREAD GUIDE ROD
267242	x	x	x	x	WRENCH (3/32 INCH HEX.)
503727	x	x	x	x	THREAD UNWINDER CPL. (FOR THREE SPOOLS) NOS. 228765 TO 228768, 228771, 228774, THREE EACH 150203, 228764, 503728 AND WOOD SCREWS 7/8 INCH NO. 12
503728	x	x	x	x	THREAD UNWINDER THREAD GUIDE

ACCESSORIES FOR 212 G 440-01, 212 G 440-02
212 G 441-01, 212 G 441-02

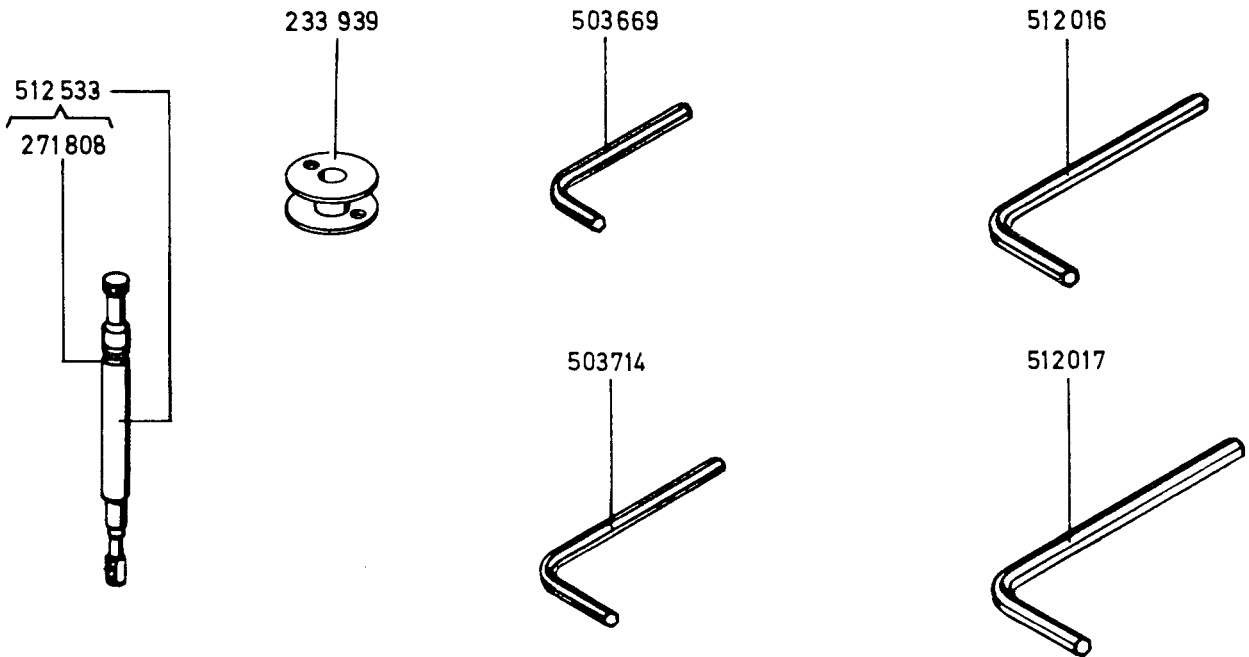


PARTS FOR MACHINE CLASS 212

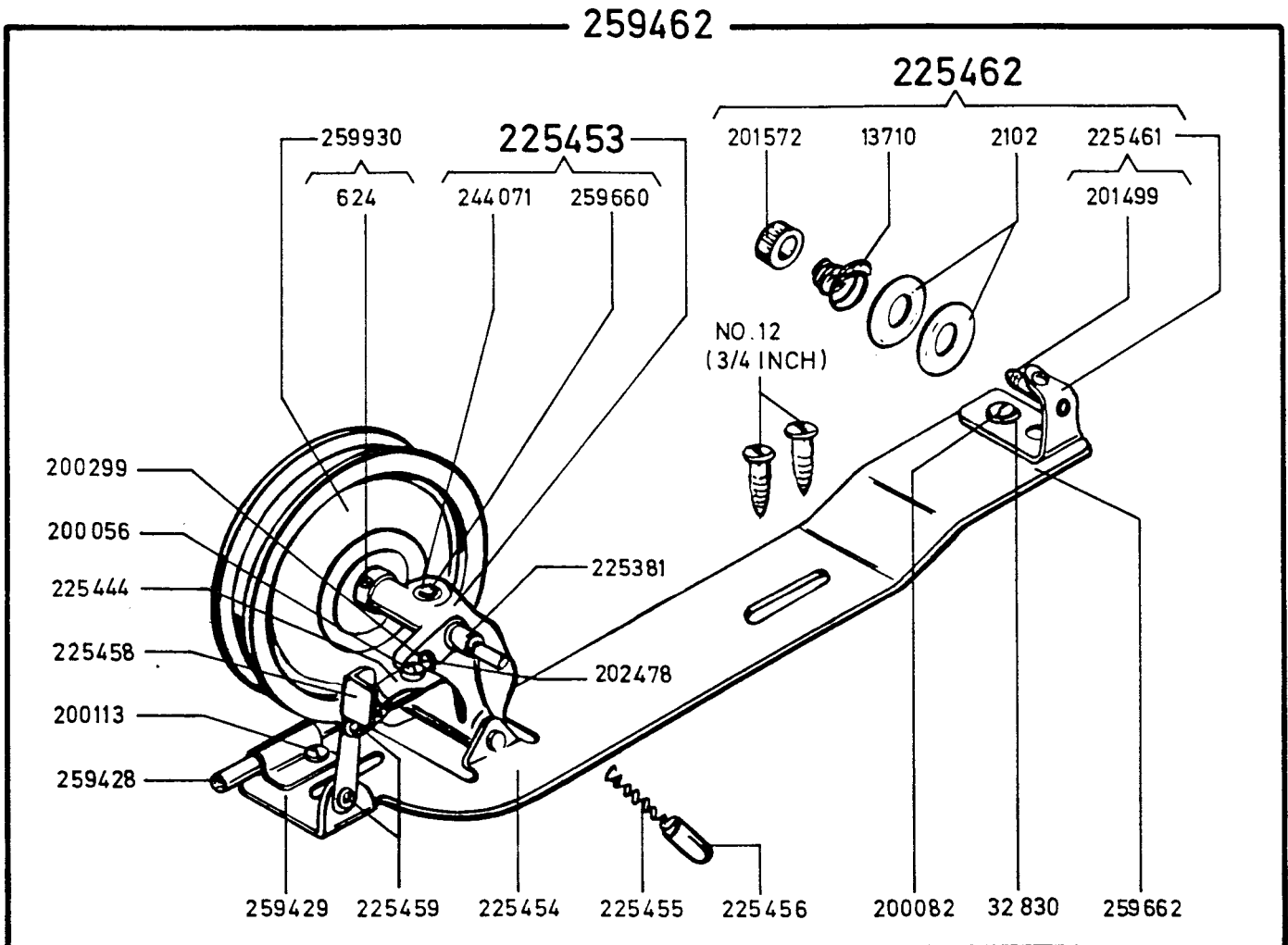
(-01 = USA, -02 = EUROPE)

PART NO.	G 440		G 441		NAME
	-01	-02	-01	-02	
NO. 12	-	x	-	x	BOBBIN WINDER WOOD SCREW (3/4 INCH NO. 12 R. H. B.) (2)
000624-833	-	x	-	x	BOBBIN WINDER PULLEY SET SCREW
002102	-	x	-	x	BOBBIN WINDER TENSION DISC (2)
013710	-	x	-	x	BOBBIN WINDER TENSION SPRING
032830	-	x	-	x	BOBBIN WINDER TENSION BRACKET SCREW WASHER
200056-805	-	x	-	x	BOBBIN WINDER STOP LATCH SCREW
200082-804	-	x	-	x	BOBBIN WINDER TENSION BRACKET SCREW
200113-850	-	x	-	x	BOBBIN WINDER BRAKE CLAMP SCREW
200299-819	-	x	-	x	BOBBIN WINDER STOP LATCH TRIP LEVER HINGE SCREW
201499-819	-	x	-	x	BOBBIN WINDER TENSION STUD
201572-819	-	x	-	x	BOBBIN WINDER TENSION STUD THUMB NUT
202478	-	x	-	x	BOBBIN WINDER STOP LATCH TRIP LEVER
225381	-	x	-	x	BOBBIN WINDER SPINDLE
225444	-	x	-	x	BOBBIN WINDER STOP LATCH
225453	-	x	-	x	BOBBIN WINDER FRAME WITH 244071 AND 259660
225454	-	x	-	x	BOBBIN WINDER FRAME HINGE PIN
225455	-	x	-	x	BOBBIN WINDER FRAME SPRING
225456	-	x	-	x	BOBBIN WINDER FRAME SPRING PLUNGER
225458	-	x	-	x	BOBBIN WINDER STOP LATCH THUMB LEVER
225459	-	x	-	x	BOBBIN WINDER STOP LATCH THUMB LEVER HINGE AND JOINT STUD (2)
225461	-	x	-	x	BOBBIN WINDER TENSION BRACKET WITH 201499
225462	-	x	-	x	BOBBIN WINDER TENSION BRACKET CPL. NOS. 13710, 201572, 225461 AND TWO 2102
233939	x	x	x	x	BOBBIN (4)
244071	-	x	-	x	BOBBIN WINDER FRAME OIL PACKING (WICK)
259428	-	x	-	x	BOBBIN WINDER BRAKE (LEATHER)
259429	-	x	-	x	BOBBIN WINDER BRAKE CLAMP
259462	-	x	-	x	UNIVERSAL BOBBIN WINDER CPL. NOS. 200056, 200082, 200113, 200299, 202478, 225381, 225444, 225453 TO 225456, 225458, 225462, 32830, 259428, 259429, 259662, 259930, TWO EACH 225459 AND WOOD SCREWS 3/4 INCH NO. 12 R. H. B.
259660	-	x	-	x	BOBBIN WINDER FRAME OIL WELL WASHER
259662	-	x	-	x	BOBBIN WINDER AND TENSION BRACKET BASE
259930	-	x	-	x	BOBBIN WINDER PULLEY WITH 624
271808	x	x	x	x	HOOK SADDLE OIL GAUGE SEAL
503669	x	x	x	x	WRENCH 2,0 mm HEXAGON
503714	x	x	x	x	WRENCH 2,5 mm HEXAGON
512016	x	x	x	x	WRENCH 3,0 mm HEXAGON
512017	x	x	x	x	WRENCH 4,0 mm HEXAGON
512533	x	x	x	x	HOOK SADDLE OIL GAUGE WITH 271808

ACCESSORIES FOR 212 G 440-01, 212 G 440-02
212 G 441-01, 212 G 441-02



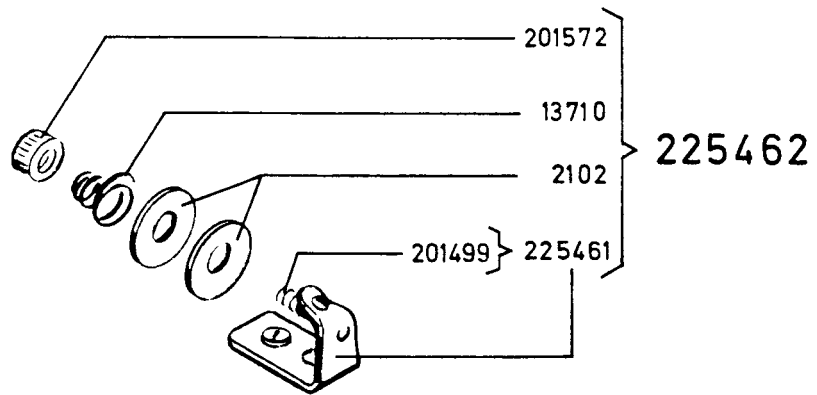
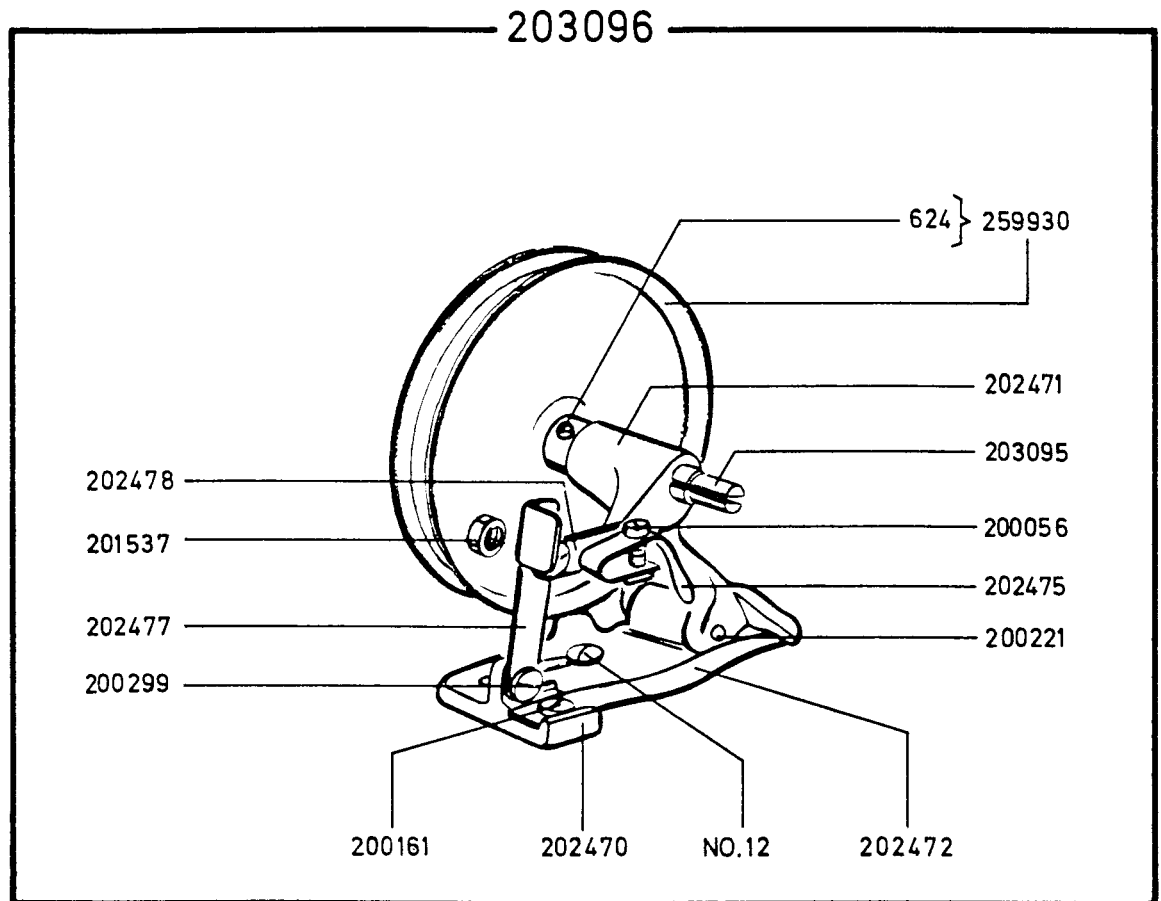
ACCESSORIES FOR 212 G 440-02
212 G 441-02



PARTS FOR MACHINE CLASS 212 (-01 = USA, -02 = EUROPE)

PART NO.	G 440		G 441		NAME
	-01	-02	-01	-02	
NO. 12	x	-	x	-	BOBBIN WINDER WOOD SCREW 3/4 3/4 INCH (2)
000624-833	x	-	x	-	BOBBIN WINDER PULLEY SET SCREW
002102	x	-	x	-	THREAD GUIDE TENSION DISC
013710	x	-	x	-	THREAD GUIDE TENSION SPRING
200056-805	x	-	x	-	BOBBIN WINDER STOP LATCH SCREW
200161-804	x	-	x	-	BOBBIN WINDER FRAME SPRING CLAMP SCREW
200221-804	x	-	x	-	BOBBIN WINDER FRAME HINGE SPRING
200299-819	x	-	x	-	BOBBIN WINDER STOP LATCH THUMB LEVER JOINT AND HINGE SCREW (3)
201499-819	x	-	x	-	THREAD GUIDE TENSION STUD
201537-819	x	-	x	-	BOBBIN WINDER STOP LATCH THUMB LEVER HINGE SCREW NUT
201572-819	x	-	x	-	THREAD GUIDE TENSION STUD THUMB NUT
202470	x	-	x	-	BOBBIN WINDER BASE
202471	x	-	x	-	BOBBIN WINDER FRAME
202472	x	-	x	-	BOBBIN WINDER FRAME SPRING
202475	x	-	x	-	BOBBIN WINDER STOP LATCH
202477	x	-	x	-	BOBBIN WINDER STOP LATCH THUMB LEVER
202478	x	-	x	-	BOBBIN WINDER STOP LATCH TRIP LEVER
203095	x	-	x	-	BOBBIN WINDER SPINDLE
203096	x	-	x	-	BOBBIN WINDER CPL. NOS. 200056, 200161, 200221, 201537, 202470, 202471, 202472, 202475, 202477, 202478, 203095, 259930, TWO WOOD SCREWS 3/4 INCH AND THREE 200299
225461	x	-	x	-	THREAD GUIDE TENSION BRACKET WITH 201499
225462	x	-	x	-	THREAD GUIDE TENSION BRACKET CPL. NOS. 13710, 201572, 225461 AND TWO 2102
259930	x	-	x	-	BOBBIN WINDER PULLEY WITH 624

ACCESSORIES FOR 212 G 440-01 212 G 441-01



PART NO.	PAGE	PART NO.	PAGE	PART NO.	PAGE
NO. 12	34, 36,	200157	38	201244	14
	38, 40	200159	14	201253	20
000237	6	200161	6, 40	201254	8, 36
000624	38, 40	200173	10	201341	6
000691	6, 32	200176	4	201402	22
CAT.		200185	16, 18	201409	20
1901-18-2	2, 36	200221	40	201499	38, 40
002102	38, 40	200247	32	201517	4
013710	14, 38,	200262	12	201518	10
	40	200270	34	201525	6
032830	38	200274	32	201529	32
041400	36	200299	38, 40	201531	32
120342	36	200309	14	201535	10
120343	36	200333	2	201537	40
140434	20	200336	10	201572	14, 38,
141566	30	200337	14		42
141567	30	200341	2	201829	32
150203	36	200347	34	202056	20
200001	16, 18	200352	12	202253	2, 8
200006	16, 18	200363	2	202254	8, 10
200019	4, 32	200364	32	202258	36
200022	16, 18	200374	2, 16	202277	4
200026	16, 18	200378	2, 16,	202330	2
200029	4, 10,		18	202337	12
	32	200382	8, 32	202338	12
200040	10, 32	200383	2	202399	2
200047	6, 32	200386	6, 32	202401	12
200054	10	200388	2, 16	202470	40
200056	38, 40	200394	32	202471	40
200061	16, 18	200530	34	202472	40
200074	12	200570	36	202475	40
200082	38	200575	32	202477	40
200086	2, 12	200580	8	202478	38, 40
200089	16, 18	200582	8, 14	202552	2
200106	10	200587	4	202625	10
200110	16, 18	200591	20	202671	12
200113	12, 34,	200594	20	203095	40
	38	200653	12	203096	40
200126	6	200738	12	203211	20
200132	12, 14	200948	12	203212	20
200133	6	200975	12	203213	20
200135	16, 18	200978	14	203216	20
200137	18	200984	20	203525	20
200141	2	201199	14	204271	14
		201220	8, 10		

PART NO.	PAGE	PART NO.	PAGE	PART NO.	PAGE
204329	2	228365	34	248406	10
206608	12	228367	34	255168	32
207072	12	228386	34	259428	38
208566	12	228476	36	259429	38
210949	12	228751	34	259462	38
213479	6	228752	34	259660	38
223309	12	228764	36	259662	38
223639	10	228765	36	259930	38, 40
223650	10	228766	36	263093	8
223655	10	228767	36	263567	8
223702	14	228768	36	264714	2
223703	14	228771	36	267017	18
223704	14	228774	36	267031	10
223706	14	228883	34	267032	10
223798	12	228887	34	267033	8
223799	12	228888	34	267034	10
233811	6	230795	12	267053	16, 18
233812	6	232244	32	267063	8
233847	8	233939	20, 38	267139	16, 18
224031	6	235706	2	267140	16, 18
224040	14	236060	14	267152	6
224144	6	236061	6	267160	2
224197	20	240067	12	267161	2
224411	34	240068	12	267162	2
224412	34	240227	32	267166	16, 18
224413	34	240245	8	267167	16
225381	38	240550	12	267171	18
225444	38	240564	12	267172	16
225453	38	240574	32	267180	8
225454	38	240589	32	267181	10
225455	38	241360	14	267182	10
225456	38	241763	8	267188	8
225458	38	243744	10	267189	8
225459	38	244048	14	267190	8
225461	38, 40	244071	2, 32,	267192	8
225462	38, 40		38	267195	8
225498	36	244084	16, 18	267196	8
225554	36	244704	16, 18	267198	16, 18
225585	16, 18	244713	8	267199	18
225837	10	244714	8	267200	16
227227	12	244726	6	267212	16, 18
228318	34	244730	10	267215	16, 18
228363	34	244747	2	267220	6
228364	34	244751	6	267221	2

PART NO.	PAGE	PART NO.	PAGE	PART NO.	PAGE
267224	2	267395	6	276174	32
267228	4	267396	6	350231	34
267229	4	267397	6	350366	10
267230	4	267398	6	350393	10
267231	4	267399	6	350440	8
267232	4	267400	6	350464	12
267233	4	267403	4	350467	8
267236	6	267404	4	350477	8
267238	12	267405	32	350492	2
267239	2	267406	32	350507	32
267242	36	267407	32	350563	6
267245	8	267408	4	350564	16, 18
267247	2	267409	4	350566	4
267248	16, 18	267410	4	350574	20
267251	12	267411	4	350581	12
267260	4	267412	4	350595	16, 18
267265	14	267413	4	350708	34
267267	2	267414	32	500190	16, 18
267269	2	267415	32	500191	26
267272	6	267416	32	500376	24
267273	10	267417	32	500379	28, 30
267274	10	267418	32	500380	28, 30
267275	10	267419	32	500394	8
267277	16, 18	267421	4	500398	24
267286	4	267422	4	500413	26
267287	4	267466	2	500415	4
267288	14	268063	10	503669	38
267289	12	268064	8	503714	38
267293	4	268065	8	503727	36
267300	2	268066	8	503728	36
267316	14	268067	8	503901	34
267351	16, 18	270026	8	503902	34
267355	20	270653	10	507063	22, 24,
267359	20	270830-001	32		26
267360	20	270880	16, 18	507563	26
267361	16, 18	271017	6	508282	4
267362	4	271808	38	508341	32
267365	16, 18	272142	30	508342	32
267366	16, 18	276046	32	508354	32
267367	16, 18	276061	16, 18	508438	30
267368	14	276160	32	511501	24
267369	14	276165	32	511502	24
267370	16, 18	276171	32	511503	24
267371	16, 18	276173	32	511504	28, 30

PART NO.	PAGE	PART NO.	PAGE	PART NO.	PAGE
511505	24, 26	512553	26	514024	16
511507	16, 18	512555	20	514025	26
511508	22, 24, 26	512559	28, 30	514028	26
511510	26	512560	28, 30	514029	26
511512	28, 30	512587	30	514034	26
511513	28, 30	512588	6, 22	514035	26
511514	28, 30	512589	22	514036	26
511515	22, 24	512590	22	514037	26
511521	30	512591	22	514038	26
511539	24	512592	22	514039	16
511547	16, 18	512593	22	514040	18
511551	26	512594	22	514056	6
511552	26	512596	22	514057	6
511555	26	512600	20	514058	26
511901	24	512601	30	514059	26
512008	16, 26	512604	28, 30	514060	4
512010	26, 30	512606	24	514061	4
512011	24	512611	24	514082	22
512012	24, 26	512612	24	603205	24
512013	24	512613	26	603206	24
512014	26, 28, 30	512614	24	603207	30
512016	38	512615	24	603208	24
512017	38	512620	24	603209	24
512502	24	512621	24	603210	30
512503	24	512622	22	603213	28, 30
512506	26	512623	22	603216	28, 30
512509	16	514001	26	603218	28
512510	18	514002	26	603221	28, 30
512513	24, 26	514003	26	603223	28, 30
512516	26	514004	26	603226	28
512517	26	514005	24	603227	30
512519	26	514006	24	603228	28
512521	26	514007	24	603229	28
512525	16, 18	514008	24	603231	28, 30
512533	38	514010	26	603239	30
512534	16	514012	26	603245	22
512535	18	514016	18	603247	22
512549	20	514017	16	603257	28, 30
512550	20	514018	16	603260	28, 30
512551	20	514019	18	603263	22
512552	20	514020	24	603264	22
		514021	24	603265	22
		514022	24	603276	28, 30
		514023	18	795595-003	28

PARTS FOR MACHINE CLASS 212

(-01 = USA, -02 = EUROPE)

PART NO.	G 440		G 441		NAME
	-01	-02	-01	-02	
267414	-	-	x	x	FEED REVERSING LEVER
267415	-	-	x	x	FEED REVERSING LEVER SPRING
267416	-	-	x	x	FEED REVERSING LEVER SPRING COLLAR
267417	-	-	x	x	FEED REVERSING SHAFT
267418	-	-	x	x	FEED REVERSING SHAFT BRACKET WITH 200364
267419	-	-	x	x	FEED REVERSING SHAFT DRIVING STUD
270830-001	-	-	x	x	FEED REVERSING SHAFT CRANK WITH 200040 AND 200386
276046	-	-	x	x	FEED REVERSING SHAFT CRANK HINGE STUD OIL PACKING (WICK)
276160	-	-	x	x	FEED REVERSING LEVER HANDLE
276165	-	-	x	x	FEED REVERSING SHAFT CRANK LINK WITH 200394
276171	-	-	x	x	FEED DRIVING ECCENTRIC CONNECTION LINK HINGE PIN WITH 244071
276173	-	-	x	x	FEED REVERSING MECHANISM SUPPORT LINK WITH 200386
276174	-	-	x	x	FEED REVERSING MECHANISM SUPPORT LINK STUD
350507-803	-	-	x	x	FEED DRIVING ROCK SHAFT CRANK HINGE SCREW
508341	-	-	x	x	FEED REVERSING SHAFT CRANK HINGE STUD WITH 276046 AND 508342
508342	-	-	x	x	FEED REVERSING SHAFT CRANK HINGE STUD
508354	-	-	x	x	FEED REVERSING SHAFT WITH 267417 AND 200047

PARTS FOR MACHINE CLASS 212

(-01 = USA, -02 = EUROPE)

PART NO.	G 440		G 441		NAME
	-01	-02	-01	-02	
268064	x	x	x	x	FEED DRIVING ECCENTRIC
268065	x	x	x	x	FEED DRIVING ECCENTRIC ADJUSTING DISC
268066	x	x	x	x	FEED DRIVING ECCENTRIC ADJUSTING DISC SPRING
268067	x	x	x	x	FEED DRIVING ECCENTRIC ADJUSTING DISC SPRING COLLAR WITH TWO 200382
270026	x	x	x	x	FEED REGULATING STUD SPRING
350440	x	x	x	x	BED OIL SCREW
350467-803	x	x	x	x	FEED DRIVING FLANGE SET SCREW (2)
350477-803	x	x	x	x	FEED DRIVING ECCENTRIC FRICTION PLATE SCREW SET SCREW (2)
500394-850	x	x	x	x	FEED DRIVING ECCENTRIC FRICTION PLATE SCREW (2)

PARTS FOR MACHINE CLASS 212

(-01 = USA, -02 = EUROPE)

PART NO.	G 440		G 441		NAME
	-01	-02	-01	-02	
350595-869	x	x	x	x	HOOK DRIVING PINION SET SCREW (2)
500190-850	x	x	x	x	THREAD PULLER BRACKET SECURING SCREW
511507-869	x	x	x	x	THREAD PULLER DRIVING CAM CLAMPING SCREW
511547-850	x	x	x	x	UPPER MOUNTING PLATE SECURING SCREW
512510	x	x	x	x	LOWER MOUNTING BRACKET (LEFT)
512525	x	x	x	x	THREAD PULLER DRIVING CAM WITH 511507
512535	x	x	x	x	HOOK SADDLE (LEFT) CPL. NOS. 200022, 200378, 244084, 244704, 267017, 267053, 267166, 267171, 267198, 267199, 267212, 267215, 267248, 267365, 267366, 350564, 500190, 511547, 512008, 512510, 512525, 514016, 514019, 514023, 514040, TWO EACH 200089, 200135, 200137, 267361, THREE 200026 AND FOUR 200061
514016	x	x	x	x	HOOK SADDLE (LEFT) WITH 200185, 267367, 267370, AND 267371
514019	x	x	x	x	UPPER MOUNTING PLATE (LEFT)
514023	x	x	x	x	THREAD PULLER BRACKET (LEFT)
514040	x	x	x	x	THREAD TRIMMING KNIFE RETAINING PLATE BRACKET (LEFT)

PARTS FOR MACHINE CLASS 212

(-01 = USA, -02 = EUROPE)

PART NO.	G 440		G 441		NAME
	-01	-02	-01	-02	
512615	-	x	-	x	511502, 511508, 511539, 512011, 512012, 512013, 512513 THREAD PULLER ACTUATING LEVER DRIVE SOLENOID MOUNTING PLATE CPL. NOS. 507063, 511503, 511901, 512611, 512612, 512620, 512621, 514005, 514020, 514021, 514022, 603205, 603208, TWO EACH 511502, 511508, 511539, 512011, 512012, 512013, 512013
512620	x	x	x	x	THREAD PULLER ACTUATING LEVER
512621	x	x	x	x	THREAD PULLER ACTUATING LEVER BUSHING
514005	x	x	x	x	THREAD TRIMMING KNIFE CONTROL CAM FOLLOWER CRANK CPL. NOS. 500398, 504006, 514007 AND 514008
514006	x	x	x	x	THREAD TRIMMING KNIFE CONTROL CAM FOLLOWER CRANK WITH 511515
514007	x	x	x	x	THREAD TRIMMING KNIFE CONTROL CAM FOLLOWER TORSION SPRING
514008	x	x	x	x	THREAD TRIMMING KNIFE CONTROL CAM FOLLOWER
514020	x	x	x	x	THREAD TRIMMING KNIFE CONTROL SHAFT
514021	x	x	x	x	THREAD TRIMMING KNIFE ACTUATING SOLENOID BRACKET
514022	x	x	x	x	THREAD TRIMMING KNIFE ACTUATING SOLENOID CONNECTING LINK
603205	-	x	-	x	THREAD PULLER ACTUATING LEVER DRIVE SOLENOID
603206	x	-	x	-	THREAD PULLER ACTUATING LEVER DRIVE SOLENOID
603208	-	x	-	x	THREAD TRIMMING KNIFE ACTUATING SOLENOID
603209	x	-	x	-	THREAD TRIMMING KNIFE ACTUATING SOLENOID

PARTS FOR MACHINE CLASS 212

(-01 = USA, -02 = EUROPE)

PART NO.	G 440		G 441		NAME
	-01	-02	-01	-02	
512521	x	x	x	x	THREAD PULLER ADJUSTING CRANK (LEFT) WITH 511505
512553	x	x	x	x	THREAD TRIMMING KNIFE DRIVE SHAFT STOP CRANK WITH 511505
512613	x	x	x	x	THREAD TRIMMING KNIFE CONTROL LINK
514001	x	x	x	x	THREAD PULLER DRIVE CAM FOLLOWER (RIGHT)
514002	x	x	x	x	THREAD PULLER DRIVE CAM FOLLOWER (LEFT)
514003	x	x	x	x	THREAD PULLER DRIVE LINK (2)
514004	x	x	x	x	THREAD PULLER (2)
514010	x	x	x	x	THREAD TRIMMING KNIFE DRIVE SHAFT RETURN SPRING ADJUSTING COLLAR WITH 511510
514012	x	x	x	x	THREAD TRIMMING KNIFE DRIVE SHAFT RETURN SPRING
514025	x	x	x	x	THREAD PULLER DRIVE CAM FOLLOWER SHAFT
514028	x	x	x	x	THREAD TRIMMING KNIFE GUIDE (RIGHT)
514029	x	x	x	x	THREAD TRIMMING KNIFE GUIDE (LEFT)
514034	x	x	x	x	THREAD PULLER ADJUSTING COLLAR WITH 511508 (2)
514035	x	x	x	x	THREAD TRIMMING KNIFE GUIDE (RIGHT) SPACER BLOCK
514036	x	x	x	x	THREAD TRIMMING KNIFE GUIDE (LEFT) SPACER BLOCK
514037	x	x	x	x	THREAD TRIMMING KNIFE RETAINING PLATE (LEFT)
514038	x	x	x	x	THREAD TRIMMING KNIFE RETAINING PLATE (RIGHT)
514058	x	x	x	x	THREAD TRIMMING KNIFE DRIVE SHAFT
514059	x	x	x	x	THREAD PULLER ADJUSTING LINK (2)