

**ILLUSTRATED**

**PARTSLIST**

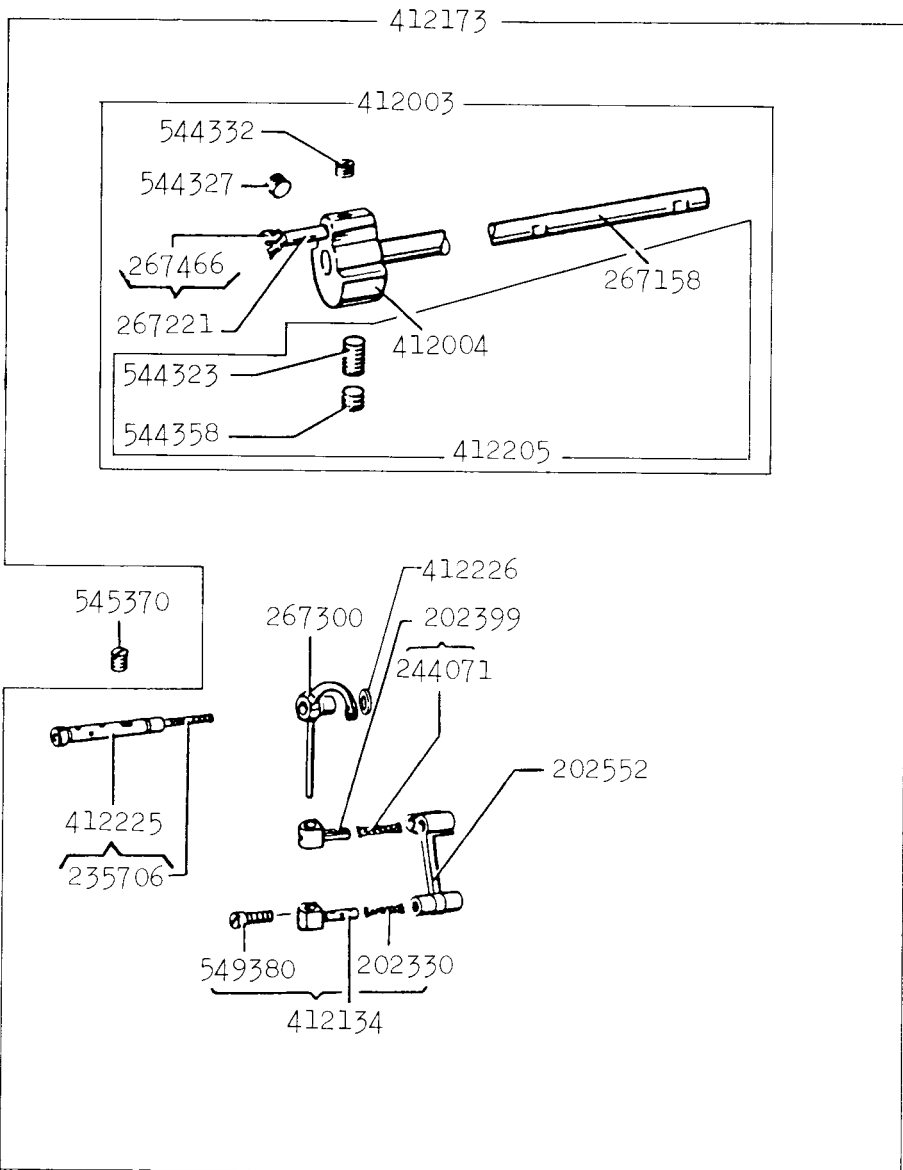
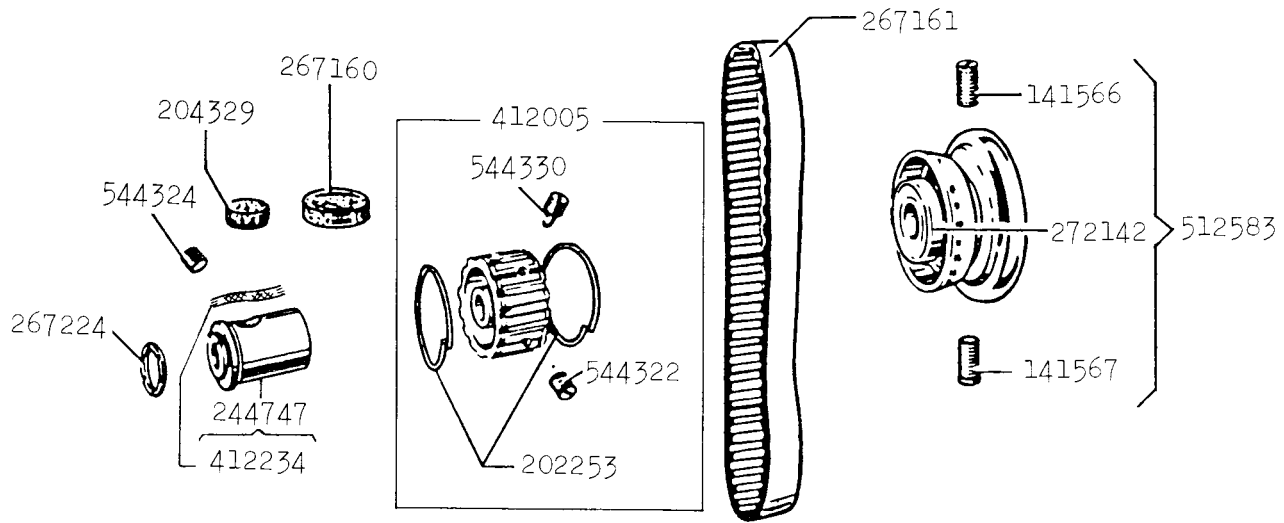
**FOR**

**SINGER\***

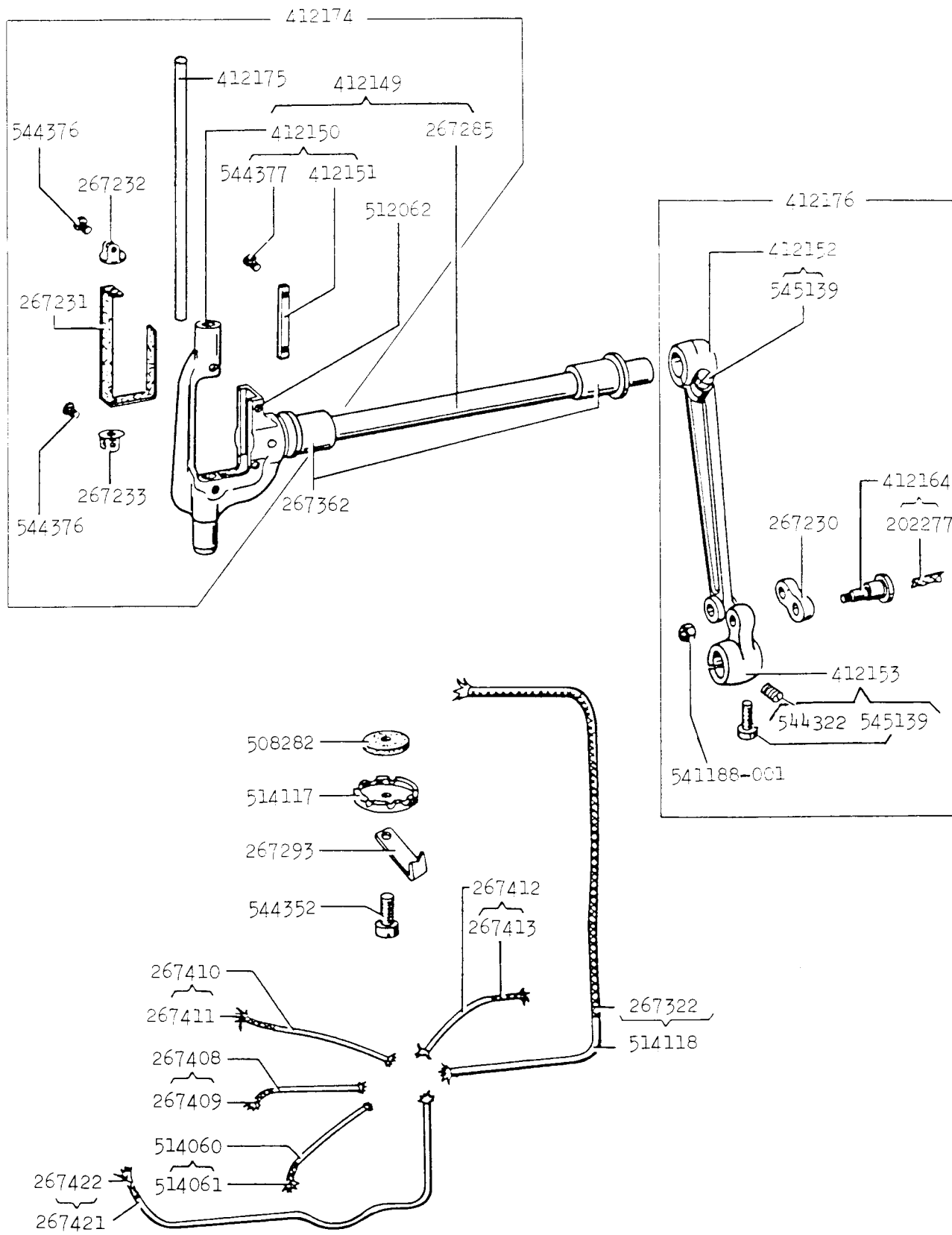
**MACHINE**

**212U141A**

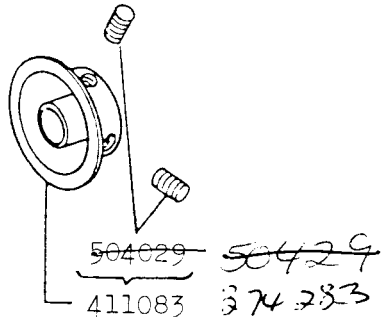
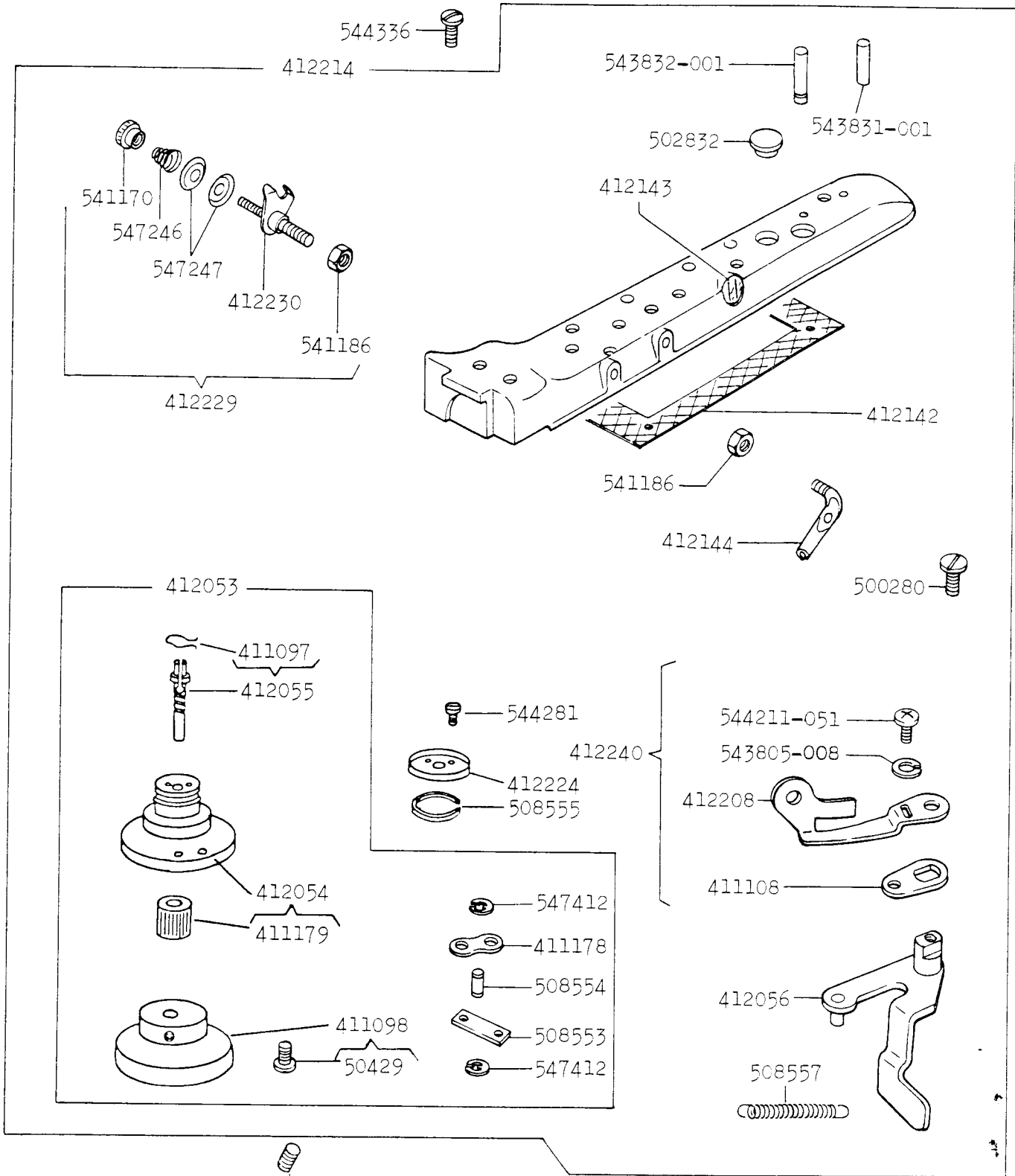
\* A Trademark of THE SINGER COMPANY  
Copyright © 1981 THE SINGER COMPANY  
All Rights Reserved Throughout World



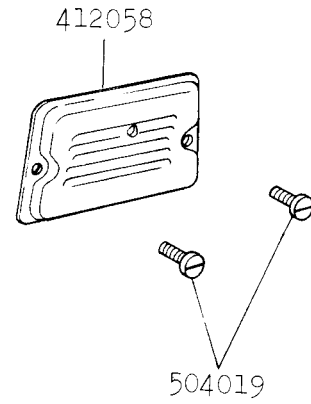
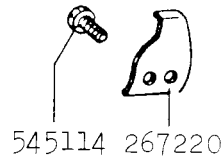
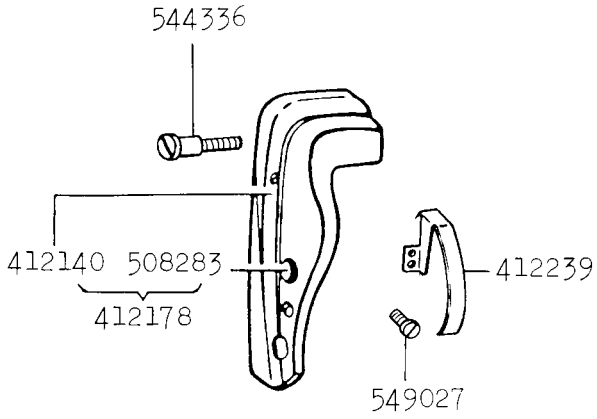
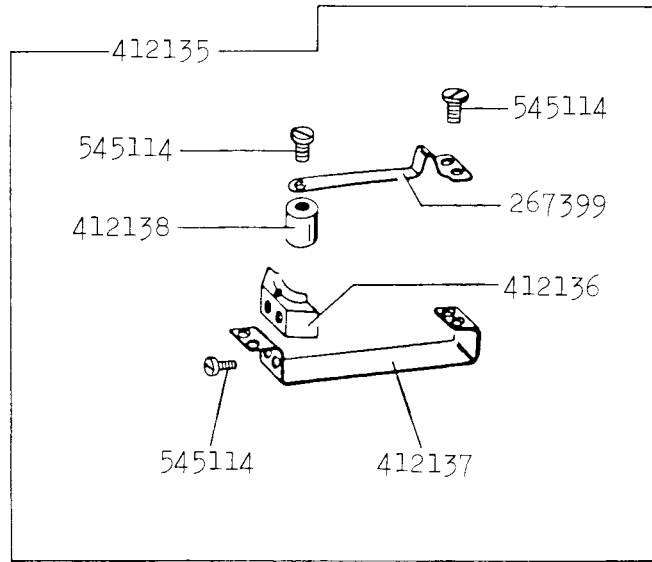
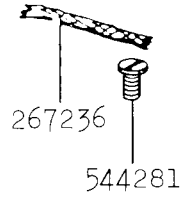
| No.    | 212U141A<br>442A<br>211U157A<br>165A<br>166A<br>566A | Description  |
|--------|--|--|
| 141566 | * * * * *  | Machine Pulley Position Screw  |
| 141567 | * * * * *  | Machine Pulley Set Screw   |
| 202253 | * * * * *  | Arm Shaft Connection Belt Pulley Spring Flange (2)                           |
| 202330 | * * * * *  | Needle Bar Connection Stud Oil Packing (wick)                                |
| 202399 | * * * * *  | Take-up Lever Driving Stud with 244071                                       |
| 202552 | * * * * *  | Needle Bar Connecting Link   |
| 204329 | * * * * *  | Arm Shaft Bushing Oil Pad (felt) (lower)                                     |
| 235706 | * * * * *  | Take-up Lever Hinge Stud Oil Packing (wick)                                  |
| 244071 | * * * * *  | Take-up Lever Driving Stud Oil Packing (wick)                                |
| 244747 | * * * * *  | Arm Shaft Bushing (front) 412234   |
| 267158 | * * * * *  | Arm Shaft  |
| 267160 | * * * * *  | Arm Shaft Bushing Oil Pad (felt) (upper)                                     |
| 267161 | * * * * *  | Arm Shaft Connecting Belt  |
| 267221 | * * * * *  | Needle Bar Connecting Link Stud with 267466                                  |
| 267224 | * * * * *  | Needle Bar Crank Friction Washer   |
| 267300 | * * - - -  | Take-up Lever  |
| 267466 | * * * * *  | Needle Bar Connecting Link Stud Oil Packing (wick)                           |
| 272142 | * * * * *  | Machine Pulley Ball Bearing (back)   |
| 412003 | * * * * *  | Arm Shaft complete 267221, 412005, 544327, 544332                            |
| 412004 | * * * * *  | Needle Bar Crank   |
| 412005 | * * * * *  | Arm Shaft Connection Belt Pulley with 202253 (2),<br>544322, 544330          |
| 412134 | * * * - -  | Needle Bar Connecting Stud with 202330, 549380                               |
| 412173 | * * - - -  | Arm Shaft complete 202399, 202552, 267239, 267300,<br>412003, 412134, 412226 |
| 412205 | * * * * *  | Arm Shaft complete 267158, 412004, 544323, 544358                            |
| 412225 | * * * * *  | Take-up Lever Hinge Stud with 235706   |
| 412226 | * * * * *  | Take-up Lever Hinge Stud Wearing Washer                                      |
| 412234 | * * * * *  | Arm Shaft Bushing (front) Oil Wick   |
| 512583 | * * * - -  | Machine Pulley with 141566, 141567, 272142                                   |
| 544322 | * * * * *  | Arm Shaft Connection Belt Pulley Set Screw                                   |
| 544323 | * * * * *  | Needle Bar Crank Position Screw  |
| 544324 | * * * * *  | Arm Shaft Bushing (front) Set Screw  |
| 544327 | * * * * *  | Needle Bar Connecting Link Stud Set Screw                                    |
| 544330 | * * * * *  | Arm Shaft Connection Belt Pulley Position Screw                              |
| 544332 | * * * * *  | Needle Bar Connecting Link Stud Set Screw                                    |
| 544358 | * * * * *  | Needle Bar Crank Position Screw Check Screw                                  |
| 545370 | * * * * *  | Take-up Lever Hinge Stud Set Screw   |
| 549380 | * * * * *  | Needle Bar Connecting Stud Pinch Screw                                       |



| No.        | 212U141A<br>442A<br>211U157A<br>165A<br>166A<br>566A | Description  |
|------------|--|--|
| 202277     | * * * - - -  | Needle Bar Rock Frame Rock Shaft Crank Link Hinge Screw<br>Oil Packing (wick) (2)                            |
| 267230     | * * * - - -  | Needle Bar Rock Frame Rock Shaft Crank Link  |
| 267231     | * * * - - -  | Needle Bar Oiling Felt   |
| 267232     | * * * - - -  | Needle Bar Oiling Felt Retainer (upper)  |
| 267233     | * * * - - -  | Needle Bar Oiling Felt Retainer (lower)  |
| 267285     | * * * - - -  | Needle Bar Rock Frame Shaft  |
| 267293     | * * * * * *  | Feed Driving Eccentric Connection Oil Tube Support   |
| 267322     | * * * * * *  | Bed Oil Supply Tube Oil Wick   |
| 267362     | * * * - - -  | Needle Bar Rock Frame Rock Shaft Bushing (split) (2)   |
| 267408     | * * - - - -  | Hook Saddle Bearing (right) Oil Tube with 267409   |
| 267409     | * * - - - -  | Hook Saddle Bearing (right) Oil Tube Wick  |
| 267410     | * * - - - -  | Feed Driving Rock Shaft Bushing (left) Oil Tube with<br>267411   |
| 267411     | * * * * * *  | Feed Driving Rock Shaft Bushing (left) Oil Tube Wick   |
| 267412     | * * - - - -  | Feed Driving Rock Shaft Bushing (right) Oil Tube<br>with 267413  |
| 267413     | * * - - - -  | Feed Driving Rock Shaft Bushing (right) Oil Tube Wick  |
| 267421     | * * - - - -  | Hook Saddle Bearing (left) Oil Tube with 267422  |
| 267422     | * * - - - -  | Hook Saddle Bearing (left) Oil Tube Wick   |
| 412149     | * * * - - -  | Needle Bar Rock Frame complete 267285, 412150, 512062  |
| 412150     | * * * - - -  | Needle Bar Rock Frame with 412151 (2), 544377 (4)  |
| 412151     | * * * - - -  | Needle Bar Rock Frame Wear Plate (2)   |
| 412152     | * * * - - -  | Needle Bar Rock Frame Rock Shaft Connection with 545139  |
| 412153     | * * * - - -  | Needle Bar Rock Frame Rock Shaft Crank with 544322, 545139   |
| 412164     | * * * - - -  | Needle Bar Rock Frame Rock Shaft Crank Link Hinge Screw (2)<br>with 202277                                   |
| 412174     | * * - - - -  | Needle Bar Rock Frame, Rock Shaft, Needle Bar complete<br>267231, 267232, 267233, 412149, 412175, 544376 (4) |
| 412175     | * * - - - -  | Needle Bar   |
| 412176     | * * * - - -  | Needle Bar Rock Frame Rock Shaft Connection complete<br>267230, 412152, 412153, 412164, 541188-001           |
| 508282     | * * * * * *  | Bed Oil Tube Clamp Oiling Felt   |
| 512062     | * * * - - -  | Needle Bar Rock Frame Pin  |
| 514060     | * * - - - -  | Feed Driving Eccentric Connection Oil Tube with 514061   |
| 514061     | * * - - - -  | Feed Driving Eccentric Connection Oil Tube Wick  |
| 514117     | * * * * * *  | Bed Oil Tube Clamp   |
| 514118     | * * - - - -  | Bed Oil Supply Tube with 267322  |
| 541188-001 | * * * - - -  | Needle Bar Rock Frame Rock Shaft Crank Link Hinge Screw<br>Nut (2)   |
| 544322     | * * * - - -  | Needle Bar Rock Frame Rock Shaft Crank Set Screw   |
| 544352     | * * * * * *  | Bed Oil Tube Clamp Screw   |
| 544376     | * * * - - -  | Needle Bar Oiling Felt Retainer Screw (upper) (2)  |
| 544376     | * * * - - -  | Needle Bar Oiling Felt Retainer Screw (lower) (2)  |
| 544377     | * * * - - -  | Needle Bar Rock Frame Wear Plate Screw (4)   |
| 545139     | * * * - - -  | Needle Bar Rock Frame Rock Shaft Connection Pinch Screw  |
| 545139     | * * * - - -  | Needle Bar Rock Frame Rock Shaft Crank Pinch Screw   |

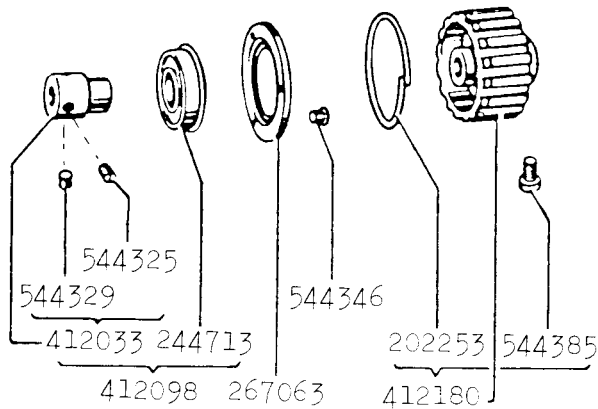
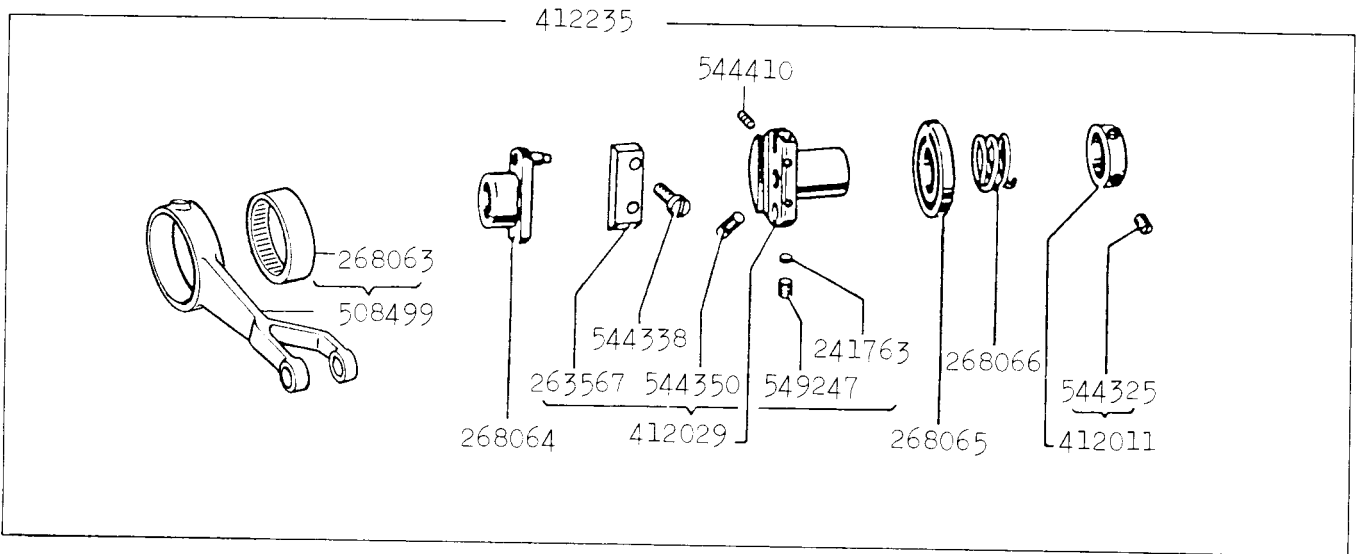
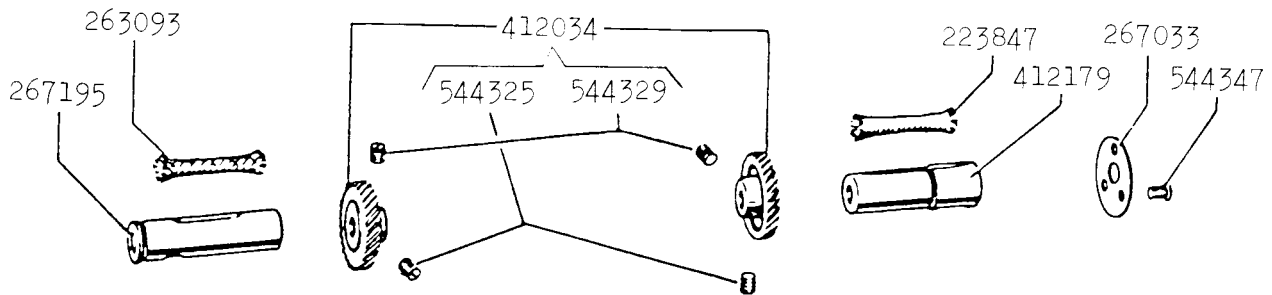
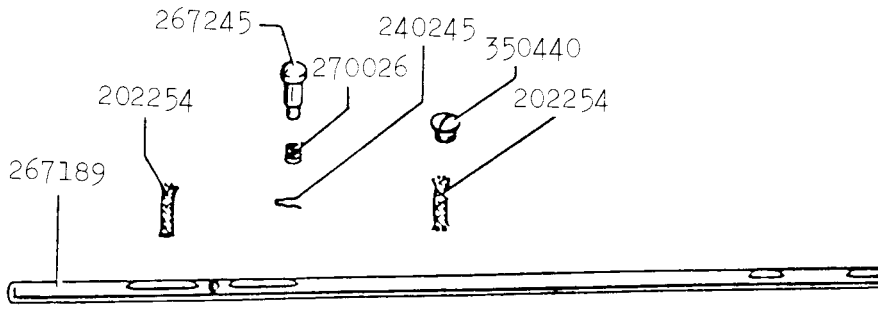


| No.          | 212U141A<br>442A<br>211U157A<br>165A<br>166A<br>566A | Description  |
|--------------|--|--|
| 50429        | * * * * *  | Bobbin Winder Shaft Friction Wheel Set Screw (2)   |
| 411083       | * * * * *  | Bobbin Winder Driving Wheel with 504029 (2)  |
| 411097       | * * * * *  | Bobbin Snap Spring   |
| 411098       | * * * * *  | Bobbin Winder Shaft Friction Wheel with 50429 (2)  |
| 411108       | * * * * *  | Bobbin Winder Shaft Bushing (Ecc.) Trip Lever (short)  |
| 411178       | * * * * *  | Bobbin Winder Bushing (Ecc.) Connection Lever  |
| 411179       | * * * * *  | Bobbin Winder Shaft Bushing (Ecc.) Bearing   |
| 412053       | * * * * *  | Bobbin Winder Shaft Bushing (Ecc.) complete 411098,<br>411178, 412054, 412055, 508553, 508554, 547412  |
| 412054       | * * * * *  | Bobbin Winder Shaft Bushing, (Ecc.) with 411179  |
| 412055       | * * * * *  | Bobbin Winder Shaft with 411097  |
| 412056       | * * * * *  | Bobbin Winder Bushing (Ecc.) Rocking   |
| 412142       | * * * - - -  | Arm Cover (Top) Gasket (vellumoid)   |
| 412143       | * * * - - -  | Oil Lever Indicator  |
| 412144       | * * * * *  | Thread Guide (Arm Top Cover) (2)   |
| 412208       | * * * * *  | Bobbin Winder Shaft Bushing (Ecc.) Trip Lever (long)   |
| 412214       | * * - - - -  | Arm Cover (Top) with 412053, 412056, 412142, 412143,<br>412144, 412224, 412229, 412240, 500280, 502832,<br>508555, 508557, 541186, 543831-001, 543832-001,<br>544281 (2) |
| 412224       | * * * * *  | Bobbin Winder Bushing (Ecc.) Thread Guard  |
| 412229       | * * * * *  | Bobbin Winder Tension complete 412230, 541170, 541186,<br>547246, 547247 (2)   |
| 412230       | * * * * *  | Bobbin Winder Tension Stud   |
| 412240       | * * * * *  | Bobbin Winder Shaft Bushing (Ecc.) Trip Lever complete<br>411108, 412208, 543805-002, 544211-051   |
| 500280       | * * * * *  | Bobbin Winder Shaft Bushing (Ecc.) Trip Lever Cap Screw  |
| 502832       | * * * * *  | Arm Cover (Top) Plug   |
| 504029 50429 | * * * * *  | Bobbin Winder Driving Wheel Set Screw (2)  |
| 508553       | * * * * *  | Bobbin Winder Bushing (Ecc.) Spring Shackle  |
| 508554       | * * * * *  | Bobbin Winder Bushing (Ecc.) Link Stud   |
| 508555       | * * * * *  | Bobbin Winder Bushing (Ecc.) Snap Ring   |
| 508557       | * * * * *  | Bobbin Winder Bushing (Ecc.) Spring  |
| 541170       | * * * * *  | Bobbin Winder Tension Nut  |
| 541186       | * * * * *  | Bobbin Winder Tension Lock Nut   |
| 541186       | * * * * *  | Thread Guide (Arm Top Cover) Lock Nut (2)  |
| 543805-008   | * * * * *  | Bobbin Winder Shaft Bushing (Ecc.) Trip Lever Screw<br>Washer  |
| 543831-001   | * * * * *  | Bobbin Winder Bushing (Ecc.) Rocking Lever Stop Pin  |
| 543832-001   | * * * * *  | Bobbin Winder Shaft Bushing (Ecc.) Coil Spring Stud  |
| 544211-051   | * * * * *  | Bobbin Winder Shaft Bushing (Ecc.) Trip Lever Screw  |
| 544281       | * * * * *  | Bobbin Winder Shaft Bushing (Ecc.) Thread Guard<br>Screw (2)   |
| 544336       | * * * * *  | Arm Cover (Top) Screw (6)  |
| 547246       | * * * * *  | Bobbin Winder Tension Spring   |
| 547247       | * * * * *  | Bobbin Winder Tension Disc (2)   |
| 547412       | * * * * *  | Bobbin Winder Shaft Bushing (Ecc.) Link Lock Washer (2)  |

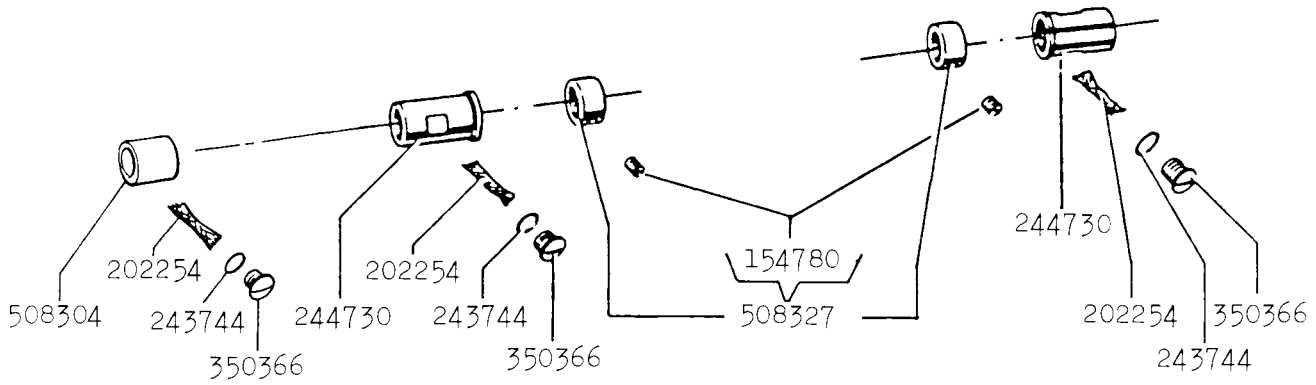
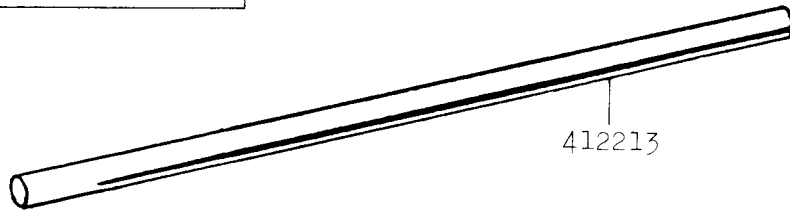
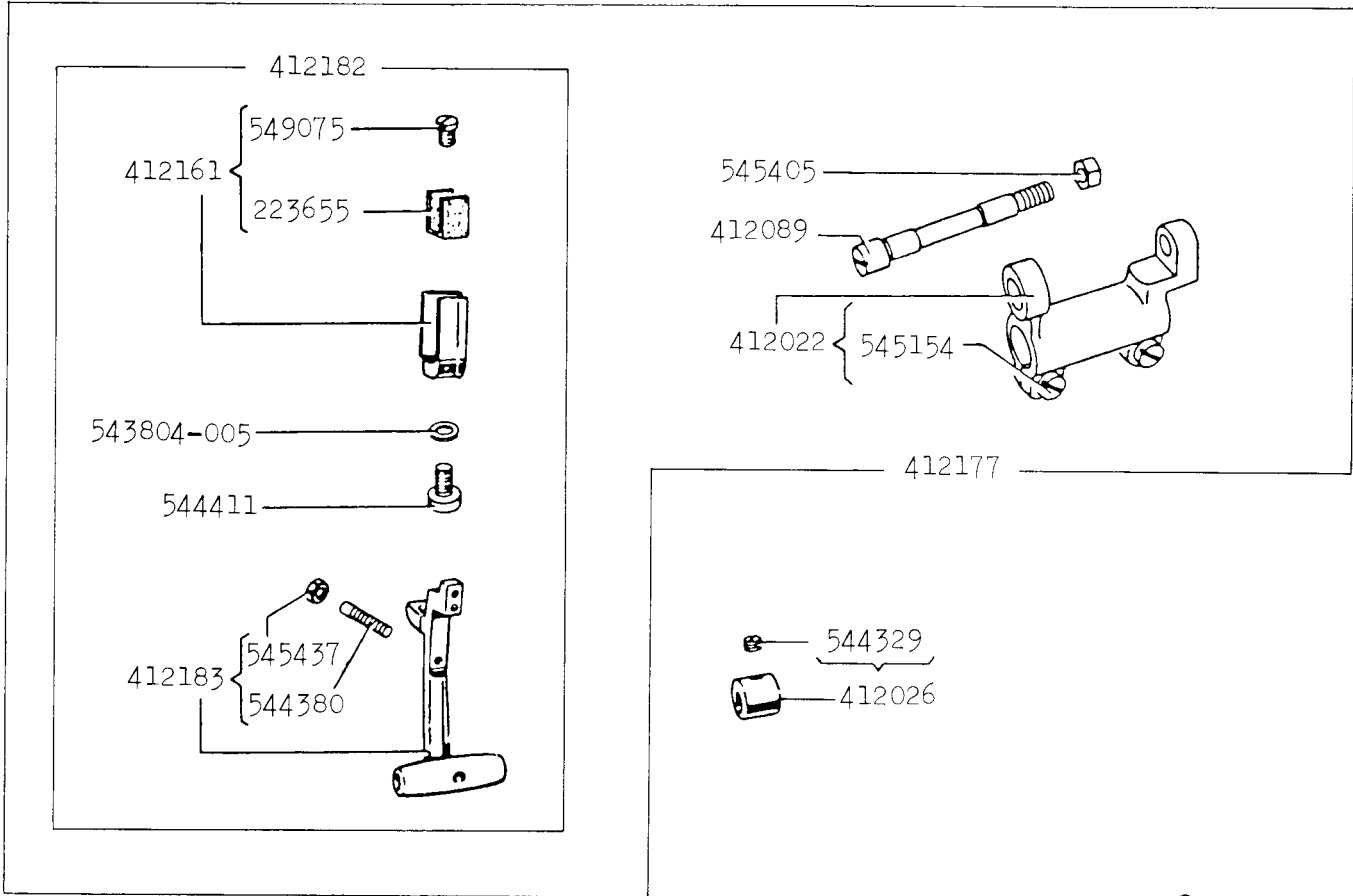




| No.    | 212U141A<br>442A<br>211U157A<br>165A<br>166A<br>566A | Description  |
|--------|--|--|
| 267220 | * * * * *  | Oil Guard  |
| 267236 | * * * - - -  | Oil Reservoir Oil Wick   |
| 267399 | * * * * *  | Oil Vibrator Pump Weight Spring  |
| 412058 | * * * * *  | Arm Cover (side)   |
| 412135 | * * * - - -  | Dynamic Head-End Lubrication Device complete<br>267399, 412136, 412137, 412138, 545114 (5) |
| 412136 | * * * - - -  | Oil Vibrator Pump Block  |
| 412137 | * * * - - -  | Oil Vibrator Pump Bracket  |
| 412138 | * * * - - -  | Oil Vibrator Pump Weight   |
| 412140 | * * * - - -  | Face Plate   |
| 412178 | * * - - - -  | Face Plate complete 412140, 508283   |
| 412239 | * * * * * *  | Take-up Lever Guard  |
| 504019 | * * * * * *  | Arm Cover (side) Screw (2)   |
| 508283 | * * - * * *  | Face Plate Plug  |
| 544281 | * * * - - -  | Oil Vibrating Pump Bracket Screw (2)   |
| 544336 | * * * - - -  | Face Plate Screw (2)   |
| 545114 | * * * - - -  | Oil Vibrator Pump Block Screw (2)  |
| 545114 | * * * - - -  | Oil Vibrator Pump Weight Spring Screw (2)  |
| 545114 | * * * - - -  | Oil Vibrator Pump Weight Screw   |
| 545114 | * * * * * *  | Oil Guard Screw (2)  |
| 549027 | * * * * * *  | Take-up Lever Guard Screw (2)  |

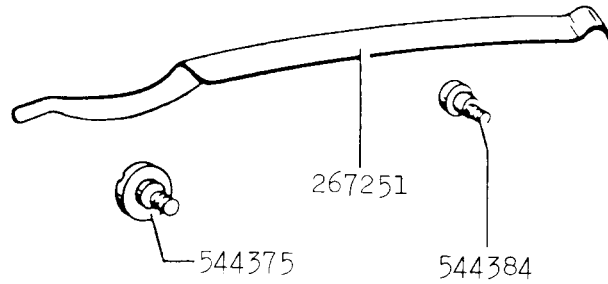
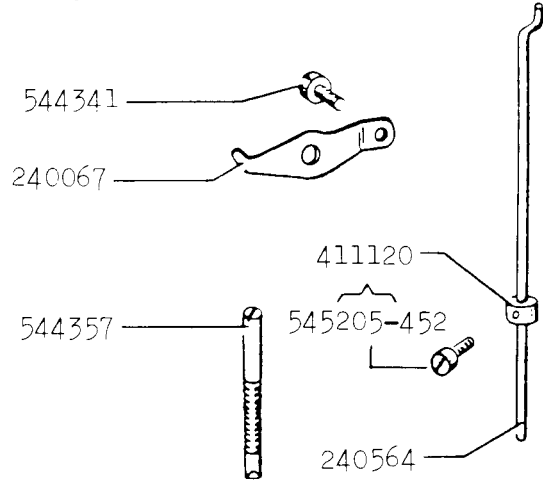
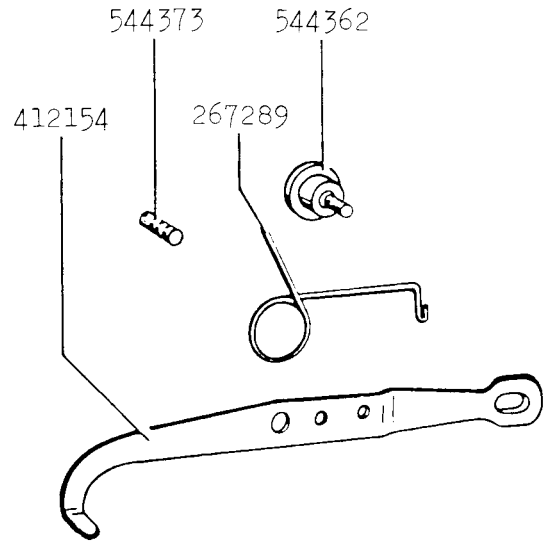
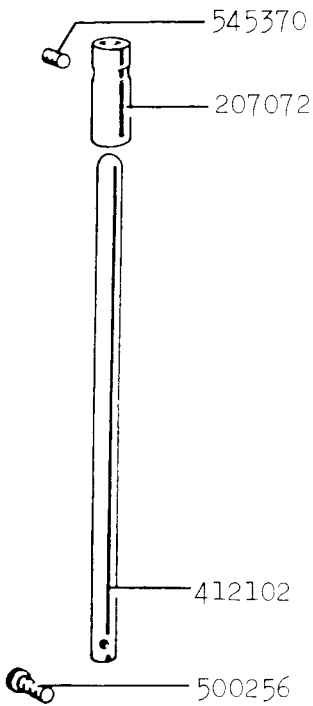
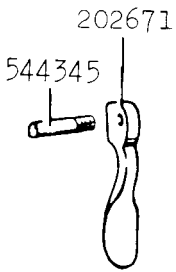
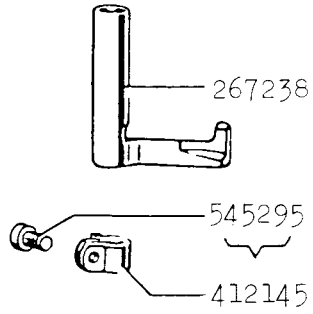
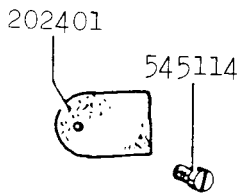
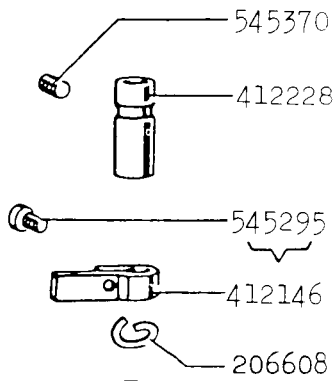
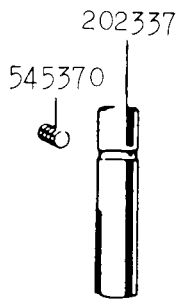


| No.    | 212U141A<br>442A<br>211U157A<br>165A<br>166A<br>566A | Description   |
|--------|--|---|
| 202253 | * * * * *  | Hook Driving Shaft Connection Belt Pulley Spring Flange                               |
| 202254 | * * * * *  | Bed Oil Wick (front)  |
| 202254 | * * * * *  | Bed Oil Wick (back)   |
| 223847 | * * - - -  | Hook Saddle Bearing (right) Oil Packing (wick)  |
| 240245 | * * * * *  | Feed Regulating Stud Retaining Spring   |
| 241763 | * * * * *  | Feed Driving Eccentric Plate Screw Set Screw Packing<br>(brass) (2)                   |
| 244713 | * * * * *  | Hook Driving Shaft Ball Bearing   |
| 263093 | * * * * *  | Hook Saddle Bearing (left) Oil Packing (wick)   |
| 263567 | * * * * *  | Feed Driving Flange Friction Plate  |
| 267033 | * * * * *  | Feed Driving Eccentric Connection Friction Washer                                     |
| 267063 | * * * * *  | Hook Driving Shaft Ball Bearing Retaining Washer                                      |
| 267189 | * * - - -  | Hook Driving Shaft  |
| 267195 | * * - - -  | Hook Saddle Bearing (left)  |
| 267245 | * * * * *  | Feed Regulating Stud  |
| 268063 | * * * * *  | Feed Driving Eccentric Connection Needle Bearing                                      |
| 268064 | * * * * *  | Feed Driving Eccentric  |
| 268065 | * * * * -  | Feed Driving Eccentric Adjusting Disc   |
| 268066 | * * * * *  | Feed Driving Eccentric Adjusting Disc Spring  |
| 270026 | * * * * *  | Feed Regulating Stud Spring   |
| 350440 | * * * * *  | Bed Oil Screw   |
| 412011 | * * * * -  | Feed Driving Eccentric Adjusting Disc Spring Collar<br>with 544325 (2)                |
| 412029 | * * * * -  | Feed Driving Flange with 241763 (2), 263567, 544350<br>544388 (2), 544410, 549247 (2) |
| 412033 | * * * * *  | Hook Driving Shaft Ball Bearing Collar with 544325<br>544329                          |
| 412034 | * * * * *  | Hook Driving Gear (spiral) (2) with 544325, 544329                                    |
| 412098 | * * * * *  | Hook Driving Shaft Ball Bearing complete 244713, 412033                               |
| 412179 | * * - - -  | Hook Saddle Bearing (right)   |
| 412180 | * * - - -  | Hook Driving Shaft Connection Belt Pulley with 202253,<br>544385 (2)                  |
| 412235 | * * * - -  | Feed Driving Eccentric complete 268064, 268065, 268066<br>412011, 412029, 508499      |
| 508499 | * * * - * *  | Feed Driving Eccentric Connection with 268063   |
| 544325 | * * * * *  | Hook Driving Gear Set Screw (2)   |
| 544325 | * * * * *  | Feed Driving Eccentric Adjusting Disc Spring Collar<br>Set Screw (2)                  |
| 544325 | * * * * *  | Hook Driving Shaft Ball Bearing Collar Set Screw                                      |
| 544329 | * * * * *  | Hook Driving Gear Position Screw (2)  |
| 544329 | * * * * *  | Hook Driving Shaft Ball Bearing Collar Position Screw                                 |
| 544338 | * * * * *  | Feed Driving Flange Friction Plate Screw (2)  |
| 544346 | * * * * *  | Hook Driving Shaft Ball Bearing Retaining Washer Screw<br>(3)                         |
| 544347 | * * * * *  | Feed Driving Eccentric Connection Friction Washer Screw<br>(3)                        |
| 544350 | * * * * *  | Feed Driving Flange Set Screw   |
| 544385 | * * - - -  | Hook Driving Shaft Connection Belt Pulley Set Screw (2)                               |
| 544410 | * * * * *  | Feed Driving Flange Position Screw  |
| 549247 | * * * * *  | Feed Driving Eccentric Friction Plate Screw Set Screw<br>(2)                          |

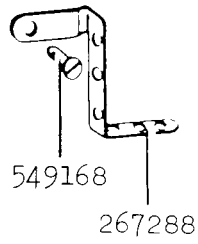
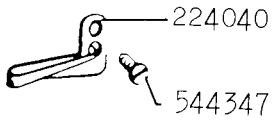
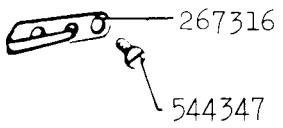
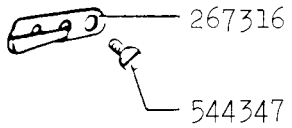
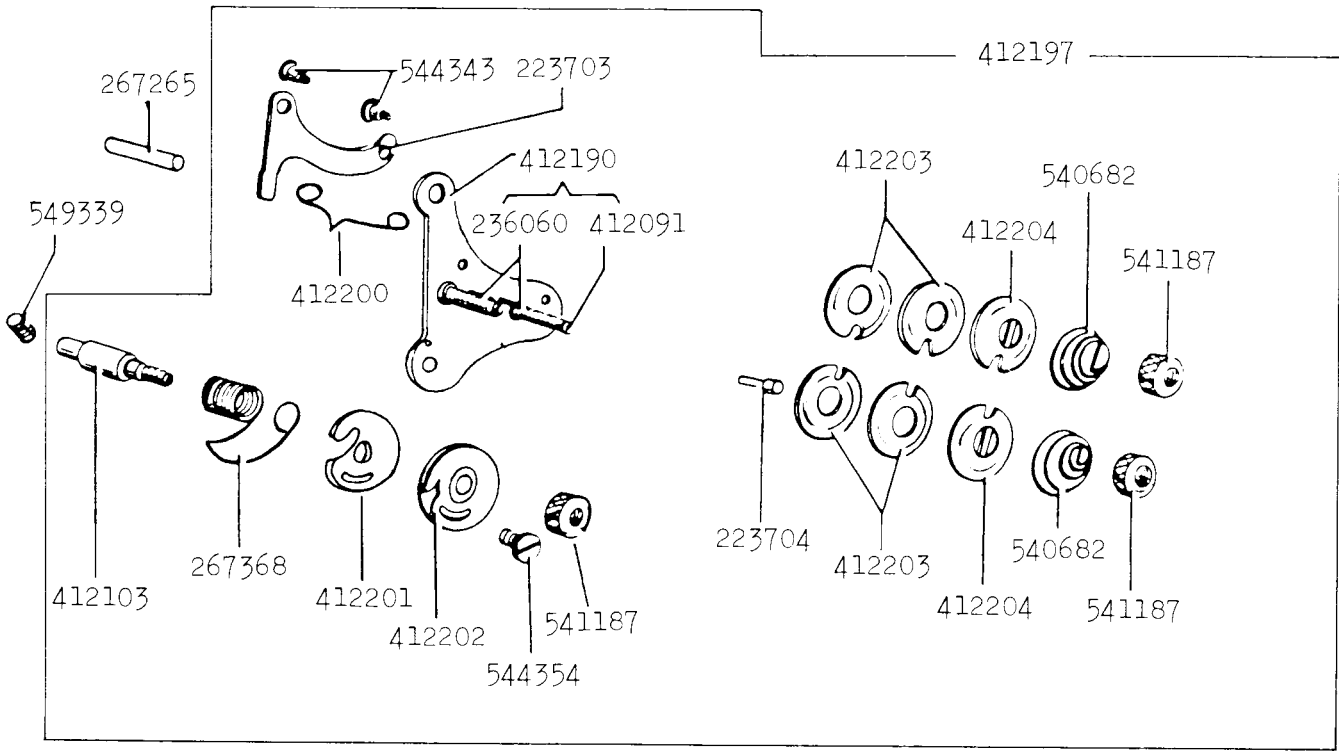


| No.        | 212U141A<br>442A<br>211U157A<br>165A<br>166A<br>566A | Description  |
|------------|--|--|
| 154780     | ** ** ** ** *  | Feed Driving Rock Shaft Stop Collar Set Screw (4)                  |
| 202254     | ** ** ** ** *  | Bed Oil Wick (front)   |
| 202254     | ** ** ** ** *  | Bed Oil Wick (center)  |
| 202254     | ** ** ** ** *  | Bed Oil Wick (back)  |
| 223655     | ** ** ** ** *  | Feed Lifting Eccentric Fork Oiling Felt                            |
| 243744     | ** ** ** ** *  | Bed Oil Stop Screw Gasket (front)                                  |
| 243744     | ** ** ** ** *  | Bed Oil Stop Screw Gasket (center)                                 |
| 243744     | ** ** ** ** *  | Bed Oil Stop Screw Gasket (back)                                   |
| 244730     | ** ** ** ** *  | Feed Driving Rock Shaft Bushing (center)                           |
| 244730     | ** ** ** ** *  | Feed Driving Rock Shaft Bushing (back)                             |
| 350366     | ** ** ** ** *  | Bed Oil Stop Screw (front)   |
| 350366     | ** ** ** ** *  | Bed Oil Stop Screw (center)  |
| 350366     | ** ** ** ** *  | Bed Oil Stop Screw (back)  |
| 412022     | ** ** ** ** *  | Feed Driving Rock Frame with 545154 (2)                            |
| 412026     | ** ** ** ** *  | Feed Lifting Eccentric with 544329                                 |
| 412089     | ** ** ** ** *  | Feed Bar Hinge Screw (driving)                                     |
| 412161     | ** * - - -   | Feed Lifting Eccentric Fork with 223655, 549075                    |
| 412177     | ** * - - -   | Feed Driving Rock Frame complete 412022, 412089,<br>412182, 545405 |
| 412182     | ** * - - -   | Feed Bar complete 412161, 412183, 543804-005, 544411               |
| 412183     | ** * - - -   | Feed Bar with 544380, 545437                                       |
| 412213     | ** * * - - -   | Feed Driving Rock Shaft  |
| 508304     | ** ** ** ** *  | Feed Driving Rock Shaft Bushing (front)                            |
| 508327     | ** ** ** ** *  | Feed Driving Rock Shaft Stop Collar (2) with 154780 (2)            |
| 543804-005 | ** ** ** ** *  | Feed Lifting Eccentric Fork Screw Washer                           |
| 544329     | ** ** ** ** *  | Feed Lifting Eccentric Set Screw                                   |
| 544380     | ** * - - -   | Feed Dog Support Screw   |
| 544411     | ** ** ** ** *  | Feed Lifting Fork Screw  |
| 545154     | ** ** ** ** *  | Feed Driving Rock Frame Pinch Screw (2)                            |
| 545405     | ** ** ** ** *  | Feed Bar Hinge Screw Nut   |
| 545437     | ** * - - -   | Feed Dog Support Screw Nut   |
| 549075     | ** ** ** ** *  | Feed Lifting Eccentric Fork Oiling Felt Screw                      |

544399  
Feed Dog Mounting Screw

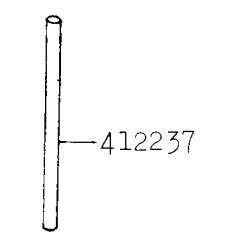
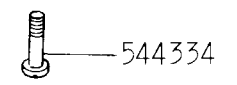
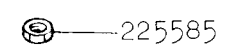
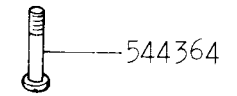
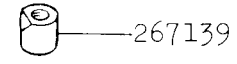
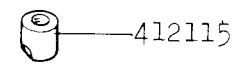
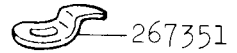
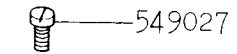
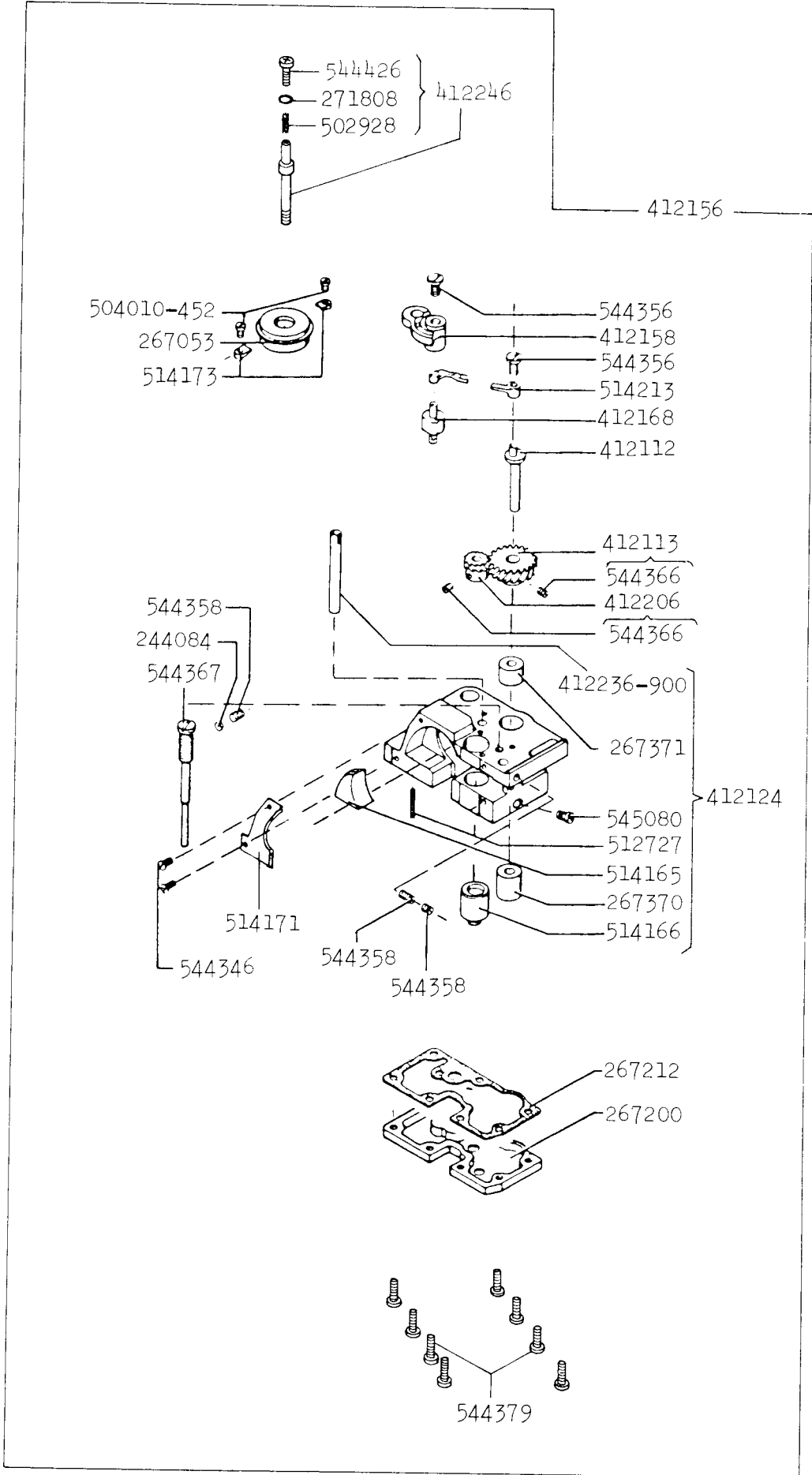


| No.        | 212U141A<br>442A<br>211U157A<br>165A<br>166A<br>566A | Description   |
|------------|--|---|
| 202337     | * * * - - -  | Presser Bar Position Guide  |
| 202401     | * * * - - -  | Take-up Lever Oiling Felt   |
| 202671     | * * * - - -  | Presser Bar Lifter  |
| 206608     | * * * - - -  | Presser Bar Lifting Releasing Lever Bracket Spring                |
| 207072     | * * * - - -  | Presser Bar Bushing (upper)                                       |
| 240067     | * * * * * *  | Knee Lifter Connection Lever                                      |
| 240564     | * * * * * *  | Knee Lifter Connection Lever Lifting Rod                          |
| 267238     | * * * - - -  | Presser Bar Lifting Releasing Lever Bracket                       |
| 267251     | * * * * * *  | Presser Bar Spring (flat)   |
| 267289     | * * * * * *  | Knee Lifter Lifting Lever Spring                                  |
| 412102     | * * * * * *  | Presser Bar with 500256   |
| 411120     | * * * * * *  | Knee Lifter Connection Lifting Rod Stop Collar with<br>545205-452 |
| 412145     | * * * - - -  | Presser Bar Spring Bracket with 545295                            |
| 412146     | * * * - - -  | Presser Bar Position Guide Lever with 545295                      |
| 412154     | * * * - - -  | Knee Lifter Lifting Lever   |
| 412228     | * * * - - -  | Presser Bar Bushing (upper)                                       |
| 500256     | * * * * * *  | Presser Foot Screw  |
| 544341     | * * * * * *  | Knee Lifter Connection Lever Hinge Screw                          |
| 544345     | * * * * * *  | Presser Bar Lifter Hinge Screw                                    |
| 544357     | * * * * * *  | Presser Bar Spring Regulating Screw                               |
| 544362     | * * * * * *  | Knee Lifter Lifting Lever Hinge Screw                             |
| 544373     | * * * - - -  | Knee Lifter Lifting Lever Spring Stop Screw                       |
| 544375     | * * * - - -  | Presser Bar Lifting Releasing Lever Bracket Guide Screw           |
| 544384     | * * * * * *  | Presser Bar Spring Support Screw                                  |
| 545114     | * * * - - -  | Take-up Lever Oiling Felt Screw                                   |
| 545205-452 | * * * * * *  | Knee Lifter Connection Lever Lifting Rod Stop Collar<br>Set Screw |
| 545295     | * * * - - -  | Presser Bar Position Guide Lever Pinch Screw                      |
| 545295     | * * * - - -  | Presser Bar Spring Bracket Pinch Screw                            |
| 545370     | * * * - - -  | Presser Bar Position Guide Set Screw                              |
| 545370     | * * * - - -  | Presser Bushing Set Screw (upper)                                 |
| 545370     | * * * - - -  | Presser Bar Bushing Set Screw (lower)                             |

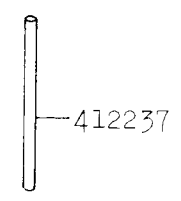
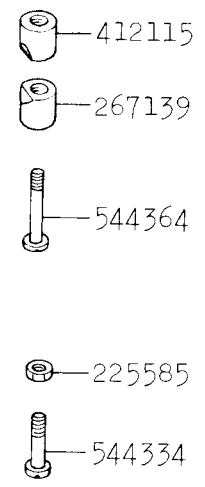
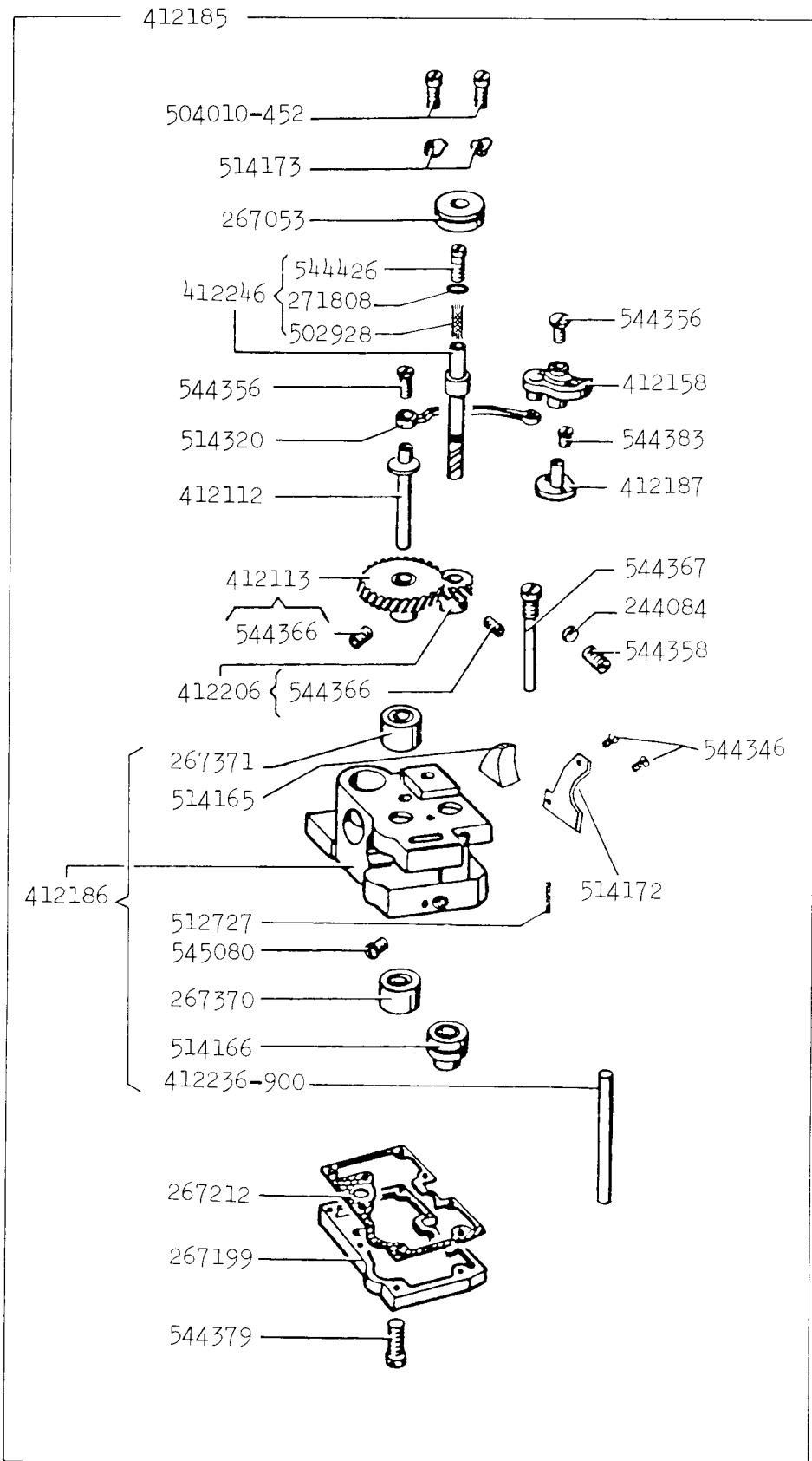
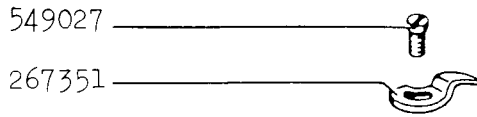




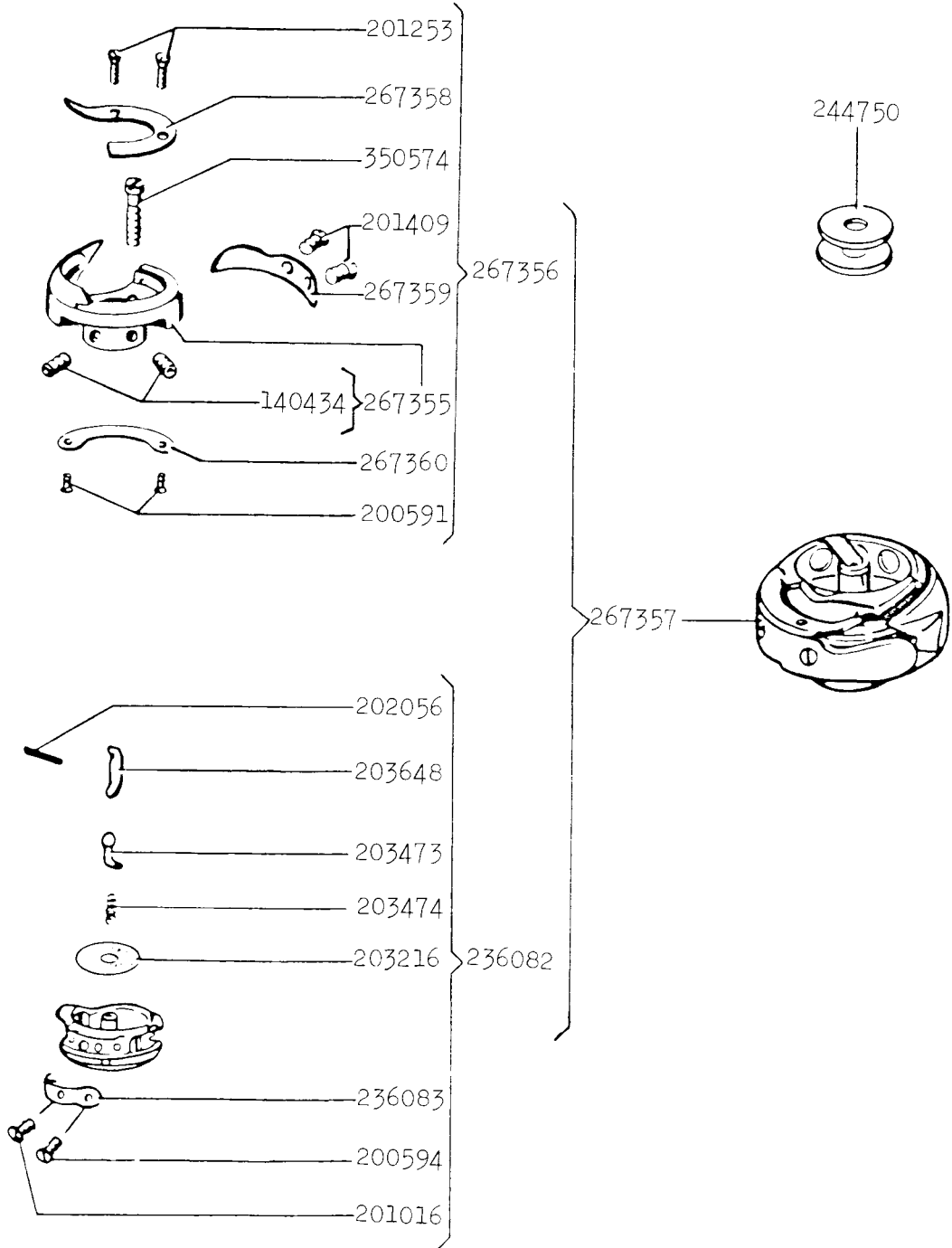
| No.    | 2120141A<br>442A<br>2110157A<br>165A<br>166A<br>566A | Description   |
|--------|--|---|
| 223703 | * * * * *  | Tension Release Lever   |
| 223704 | * * * * *  | Tension Release Plunger (2)   |
| 224040 | * * - - -  | Thread Guide (lower)  |
| 236060 | * * * * *  | Tension Disc Position Pin (2)   |
| 267265 | * * * * *  | Tension Release Lever Rod   |
| 267288 | * * - - -  | Thread Retainer   |
| 267316 | * * * * *  | Thread Guide (2)  |
| 267368 | * * * * *  | Thread Controller Spring  |
| 412091 | * * * * *  | Tension Stud (2)  |
| 412103 | * * * * *  | Thread Controller Stud with 204925  |
| 412190 | * * - - -  | Tension Bracket with 236060 (2), 412091 (2)   |
| 412197 | * * - - -  | Tension Bracket complete 223703, 223704 (2), 267368, 412103,<br>412190, 412200, 412201, 412202, 412203 (4), 412204 (2),<br>540682 (2), 541187 (3), 544343 (2), 544354 |
| 412200 | * * * * *  | Tension Release Lever Spring  |
| 412201 | * * * * *  | Thread Controller Spring Stop   |
| 412202 | * * * * *  | Thread Controller Disc  |
| 412203 | * * * * *  | Tension Disc (4)  |
| 412204 | * * * * *  | Tension Release Washer (2)  |
| 540682 | * * - - -  | Tension Spring (2)  |
| 541187 | * * * * *  | Tension Thumb Nut (3)   |
| 544343 | * * * * *  | Tension Release Lever Screw (2)   |
| 544347 | * * * * *  | Thread Guide Screw (3)  |
| 544354 | * * * * *  | Thread Controller Disc Screw  |
| 549168 | * * * * *  | Tension Bracket Screw   |
| 549339 | * * * * *  | Thread Controller Stud Set Screw  |



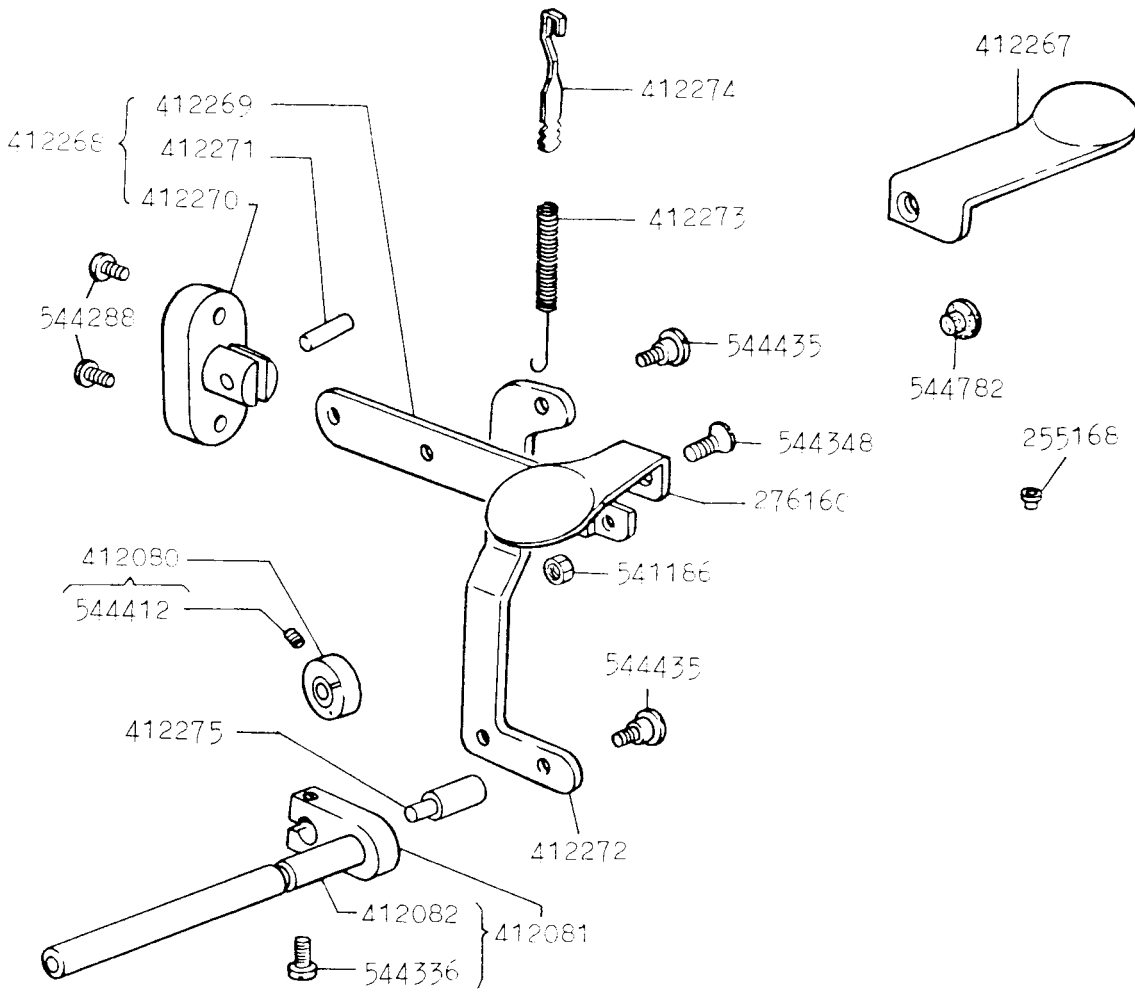
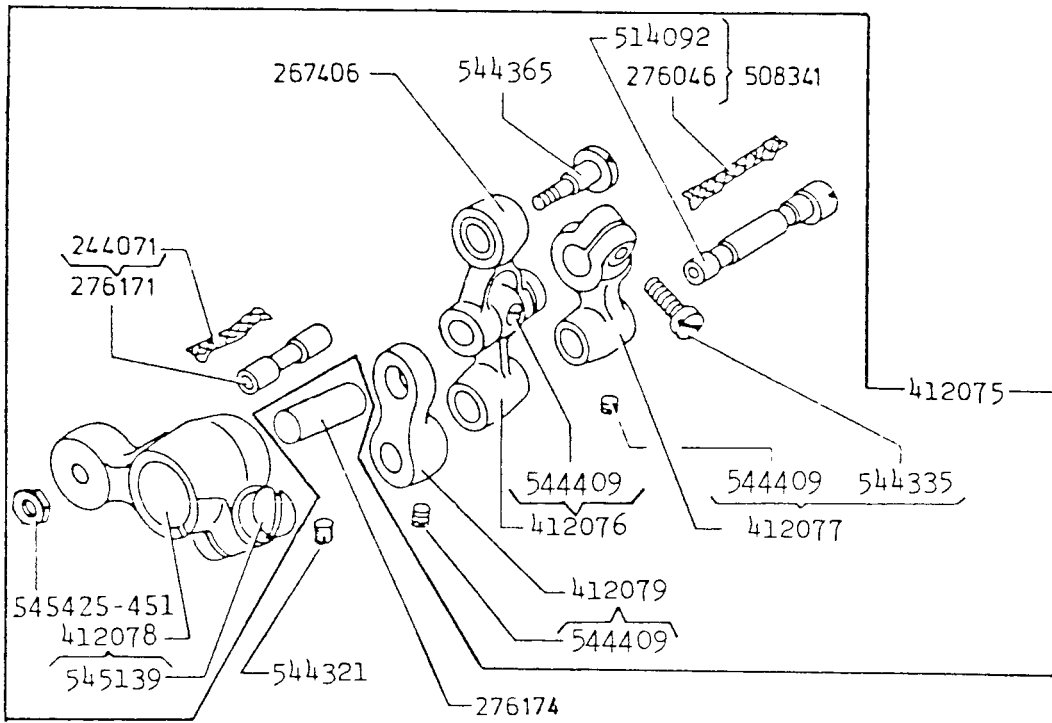
| No.        | 212U141A<br>442A<br>211U157A<br>165A<br>166A<br>566A | Description   |
|------------|--|---|
| 225585     | * * * * *  | Hook Saddle Screw Washer  |
| 244084     | * * * - - *  | Hook Saddle Regulating Screw Check Screw Packing  |
| 267053     | * * * - - *  | Hook Ball Bearing   |
| 267139     | * * * - - *  | Pinch Sleeve (lower)  |
| 267200     | * * * - - *  | Hook Saddle Oil Reservoir   |
| 267212     | * * * - - *  | Hook Saddle Oil Reservoir Gasket  |
| 267351     | * * * - - -  | Bobbin Case Opener  |
| 267370     | * * * - - *  | Bobbin Case Opener Driving Cam Shaft Bushing (lower)  |
| 267371     | * * * - - *  | Bobbin Case Opener Driving Cam Shaft Bushing (upper)  |
| 271808     | * * * - - -  | Hook Shaft Oil Filter Felt Holder Seal  |
| 412112     | * * * - - *  | Bobbin Case Opener Cam Shaft  |
| 412113     | * * * - - *  | Bobbin Case Opener Driving Cam Shaft Gear (spiral) with<br>544366 (2)   |
| 412115     | * * * - - *  | Pinch Sleeve (upper)  |
| 412124     | * * * - - *  | Hook Saddle (right) with 267370, 267371, 412236-900<br>512727, 514165, 514166, 545080   |
| 412156     | * * * - - -  | Hook Saddle (right) complete 244084, 267053, 267200,<br>267212, 412112, 412113, 412124, 412158, 412168,<br>412206, 412246, 504010-452(2), 514171, 514173(2),<br>514213, 544346 (2), 544356 (2), 544358 (3), 544367,<br>544379 (8) |
| 412158     | * * * - - -  | Bobbin Case Opener Crank  |
| 412168     | * * * - - -  | Bobbin Case Opener Crank Hinge Stud   |
| 412206     | * * * - - -  | Hook Driving Pinion (spiral) with 544366 (2)  |
| 412236-900 | * * * - - *  | Hook Saddle Oil Gauge Sleeve  |
| 412237     | * * * - - *  | Hook Saddle Oil Gauge   |
| 412246     | * * * - - -  | Hook Shaft with 271808, 502928, 544426  |
| 502928     | * * * - - -  | Hook Shaft Oil Filter Felt  |
| 504010-452 | * * * - - *  | Hook Ball Bearing Retaining Screw (2)   |
| 512727     | * * * - - *  | Hook Saddle Oil Wick  |
| 514165     | * * * - - *  | Hook Saddle Foam Cushion  |
| 514166     | * * * - - *  | Hook Shaft Bushing  |
| 514171     | * * * - - *  | Hook Saddle Cover Plate   |
| 514173     | * * * - - *  | Hook Ball Bearing Retainer (2)  |
| 514213     | * * * - - *  | Bobbin Case Opener Link   |
| 544334     | * * * * * *  | Hook Saddle Screw   |
| 544346     | * * * - - *  | Hook Saddle Cover Plate Screw (2)   |
| 544356     | * * * - - *  | Bobbin Case Opener Crank Cap Screw  |
| 544356     | * * * - - *  | Bobbin Case Opener Link Cap Screw   |
| 544358     | * * * - - *  | Hook Saddle Oil Regulating Screw Check Screw  |
| 544358     | * * * - - *  | Bobbin Case Opener Crank Hinge Stud Set Screw   |
| 544358     | * * * - - *  | Bobbin Case Opener Crank Hinge Stud Set Screw<br>Check Screw  |
| 544364     | * * * - - *  | Pinch Sleeve Screw  |
| 544366     | * * * - - *  | Bobbin Case Opener Driving Cam Shaft Gear (spiral)<br>Set Screw (2)   |
| 544366     | * * * - - *  | Hook Driving Pinion (spiral) Set Screw (2)  |
| 544367     | * * * - - *  | Hook Saddle Oil Regulating Screw  |
| 544379     | * * * - - *  | Hook Saddle Oil Reservoir Screw (8)   |
| 544426     | * * * - - -  | Hook Shaft Oil Filter Holder  |
| 545080     | * * * - - *  | Hook Saddle Oil Stop Screw  |
| 549027     | * * * * * *  | Bobbin Case Opener Screw  |



| No.        | 212U141A<br>412A<br>211U137A<br>165A<br>166A<br>566A | Description  |
|------------|--|--|
| 225585     | * * * * *  | Hook Saddle Screw Washer   |
| 244084     | * * * - - *  | Hook Saddle Oil Regulating Screw Check Screw Packing   |
| 267053     | * * * - - *  | Hook Ball Bearing  |
| 267139     | * * * - - *  | Pinch Sleeve (lower)   |
| 267199     | * * - - - -  | Hook Saddle Oil Reservoir (left)   |
| 267212     | * * * - - *  | Hook Saddle Oil Reservoir Gasket   |
| 267351     | * * * - - -  | Bobbin Case Opener   |
| 267370     | * * * - - *  | Bobbin Case Opener Driving Cam Shaft Bushing (lower)   |
| 267371     | * * * - - *  | Bobbin Case Opener Driving Cam Shaft Bushing (upper)   |
| 271808     | * * * - - -  | Hook Shaft Oil Filter Felt Holder Seal   |
| 412112     | * * * - - *  | Bobbin Case Opener Cam Shaft   |
| 412113     | * * * - - *  | Bobbin Case Opener Driving Cam Shaft Gear (spiral)<br>with 544366 (2)  |
| 412115     | * * * - - *  | Pinch Sleeve (upper)   |
| 412158     | * * * - - -  | Bobbin Case Opener Crank   |
| 412185     | * * - - - -  | Hook Saddle (left) complete 244084, 267053, 267199,<br>267212, 412112, 412113, 412158, 412186, 412187,<br>412206, 412246, 504010-452 (2), 514172, 514173 (2),<br>514320, 544346 (2), 544356 (2), 544358, 544367,<br>544379 (8), 544383 (2) |
| 412186     | * * - - - -  | Hook Saddle (left) with 267370, 267371, 412236-900,<br>545080, 512727, 514165  |
| 412187     | * * - - - -  | Bobbin Case Opener Crank Hinge Stud (left)   |
| 412206     | * * * - - -  | Hook Driving Pinion (spiral) with 544366 (2)   |
| 412236-900 | * * * - - *  | Hook Saddle Oil Gauge Sleeve   |
| 412237     | * * * - - *  | Hook Saddle Oil Gauge  |
| 412246     | * * * - - -  | Hook Shaft with 271808, 502928, 544426   |
| 502928     | * * * - - -  | Hook Shaft Oil Filter Felt   |
| 504010-452 | * * * - - *  | Hook Ball Bearing Retainer Screw (2)   |
| 512727     | * * * - - *  | Hook Saddle Oil Wick   |
| 514165     | * * * - - *  | Hook Saddle Foam Cushion   |
| 514166     | * * * - - *  | Hook Shaft Bushing   |
| 514172     | * * - - - -  | Hook Saddle Cover Plate  |
| 514173     | * * * - - *  | Hook Ball Bearing Retainer (2)   |
| 514320     | * * - - - -  | Bobbin Case Opener Link (left)   |
| 544334     | * * * * * *  | Hook Saddle Screw  |
| 544346     | * * * - - *  | Hook Saddle Cover Plate Screw (2)  |
| 544356     | * * * - - *  | Bobbin Case Opener Crank Cap Screw   |
| 544356     | * * * - - *  | Bobbin Case Opener Link Cap Screw  |
| 544358     | * * * - - *  | Hook Saddle Oil Regulating Screw Check Screw   |
| 544364     | * * * - - *  | Pinch Sleeve Screw   |
| 544366     | * * * - - *  | Bobbin Case Opener Driving Cam Shaft Gear (spiral)<br>Set Screw (2)  |
| 544366     | * * * - - *  | Hook Driving Pinion (spiral) Set Screw (2)   |
| 544367     | * * * - - *  | Hook Saddle Oil Regulating Screw   |
| 544379     | * * * - - *  | Hook Saddle Oil Reservoir Screw (8)  |
| 544383     | * * - - - -  | Bobbin Case Opener Crank Hinge Stud (left) Screw (2)   |
| 544426     | * * * - - -  | Hook Shaft Oil Filter Felt Holder  |
| 545080     | * * * - - *  | Hook Saddle Oil Stop Screw   |
| 549027     | * * * * * *  | Bobbin Case Opener Screw   |

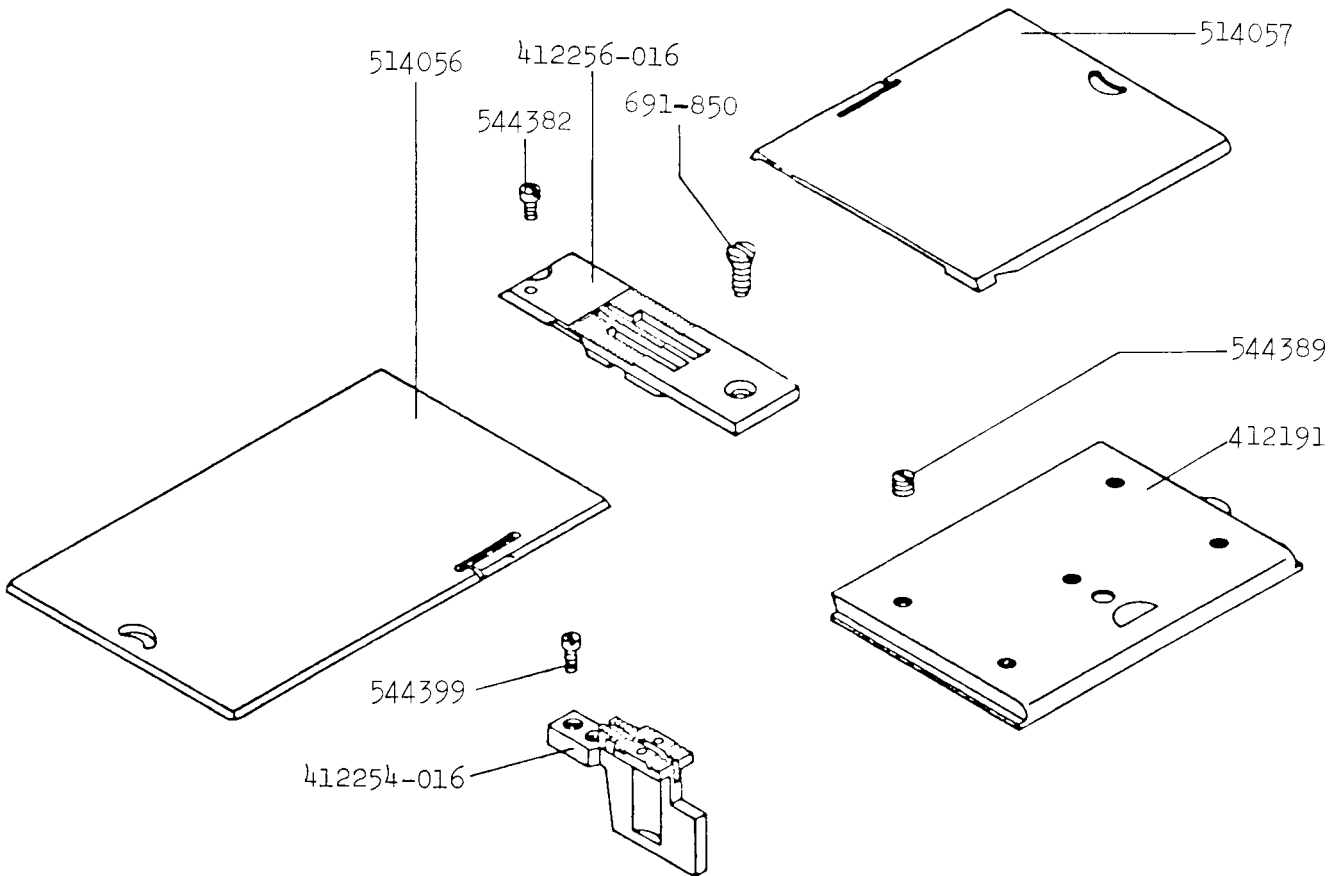
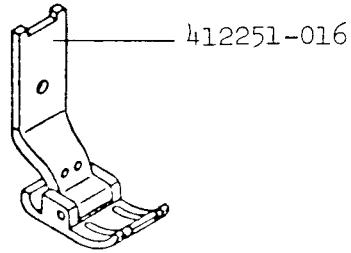
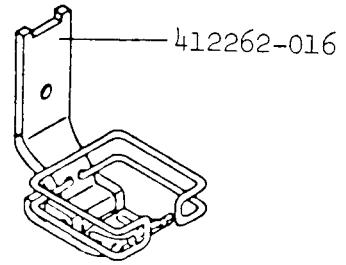
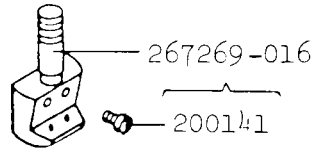
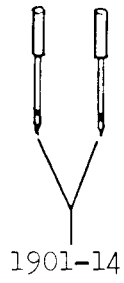


| No.    | 212U141A<br>442A<br>211U157A<br>165A<br>166A<br>566A | Description   |
|--------|--|---|
| 140434 | * * *  | Hook Set Screw (4)  |
| 200591 | * * *  | Hook Thread Guard Screw (4)   |
| 200594 | * * * * *  | Bobbin Case Tension Spring Screw (2)  |
| 201016 | * * *  | Bobbin Case Tension Spring Regulating Screw (2)   |
| 201253 | * * *  | Hook Gib Screw (4)  |
| 201409 | * * * * *  | Hook Needle Guard Screw (4)   |
| 202056 | * * * * *  | Bobbin Case Latch Pin (2)   |
| 203216 | * * * * *  | Bobbin Case Washer (cloth) (2)  |
| 203473 | * * * * *  | Bobbin Case Latch Plunger (2)   |
| 203474 | * * * * *  | Bobbin Case Latch Spring (2)  |
| 203648 | * * * * *  | Bobbin Case Latch (2)   |
| 236082 | * * - - -  | Bobbin Case (2) with 200594, 201016, 202056, 203216,<br>203473, 203474, 203648, 236081, 236083  |
| 236083 | * * - - -  | Bobbin Case Tension Spring (2)  |
| 244750 | * * * * *  | Bobbin (2)  |
| 267355 | * * * - -  | Hook (sewing) (2) with 140434   |
| 267356 | * * * - -  | Hook complete (2) 200591 (2), 201253 (2), 201409 (2),<br>267355, 267358, 267359, 267360, 350574 |
| 267357 | * * - - -  | Hook and Bobbin Case complete (2) 236082, 267356  |
| 267358 | * * * - -  | Hook Gib (2)  |
| 267359 | * * * - -  | Hook Needle Guard (2)   |
| 267360 | * * * - -  | Hook Thread Guard (2)   |
| 350574 | * * * - -  | Hook Height Adjusting Screw (2)   |

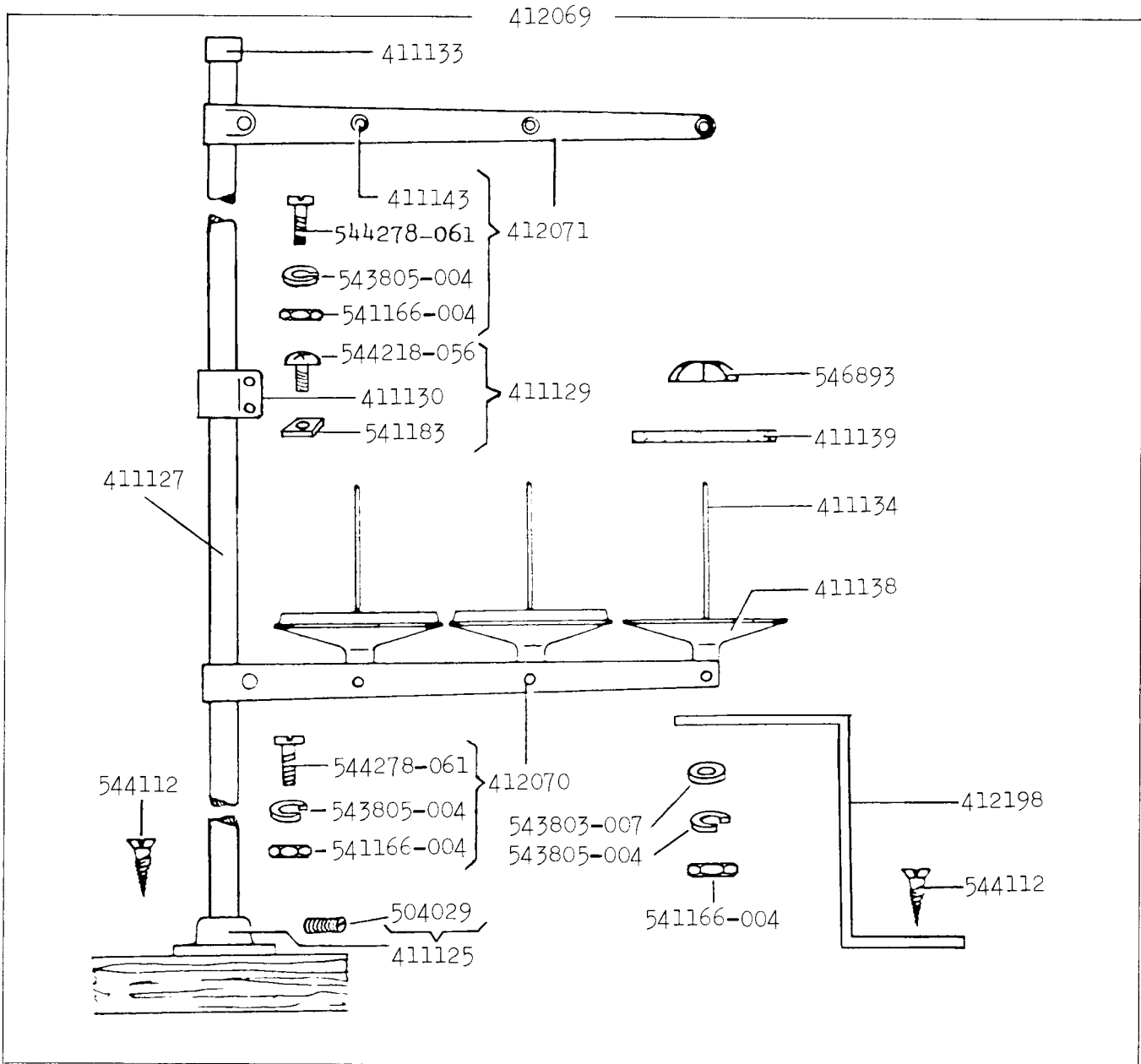




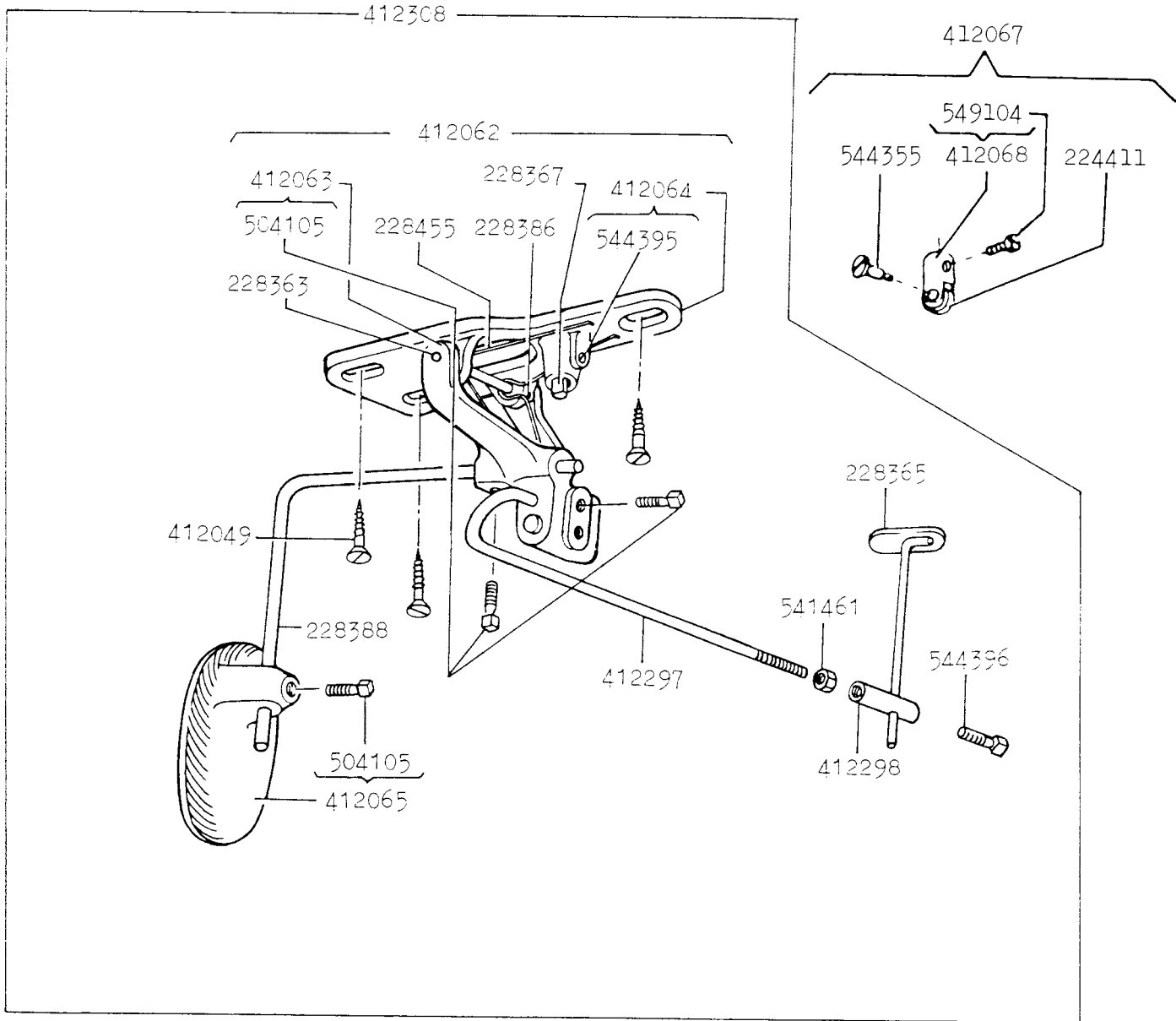
| No.        | V12<br>V42<br>V47<br>V57<br>V65<br>V66<br>V66A | Description  |
|------------|--|--|
| 244071     | * * * - * *                                    | Feed Driving Eccentric Connection Link Hinge Pin Oil Packing (wick)                              |
| 255168     | * * * - * *                                    | Bed Oil Cup (2)  |
| 267406     | * * * - * *                                    | Feed Driving Eccentric Connection Link   |
| 276046     | * * * - * *                                    | Feed Reversing Shaft Crank Hinge Stud Oil Packing (wick)   |
| 276160     | * * * - * *                                    | Feed Reversing Lever Handle  |
| 276171     | * * * - * *                                    | Feed Driving Eccentric Connection Link Hinge Pin with 244071                                     |
| 276174     | * * * - * *                                    | Feed Reversing Mechanism Support Link Stud   |
| 412075     | * * * - * -                                    | Reverse Feed complete 267406, 276171, 412076, 412077, 412078, 412079, 508341, 544365, 545425-451 |
| 412076     | * * * - * -                                    | Feed Reversing Shaft Crank Link with 544409  |
| 412077     | * * * - * -                                    | Feed Reversing Shaft Crank with 544335, 544409   |
| 412078     | * * * - * *                                    | Feed Driving Rock Shaft Crank with 545139  |
| 412079     | * * * - * -                                    | Feed Reversing Mechanism Support Link with 544409  |
| 412080     | * * * - * *                                    | Feed Reversing Lever Spring Collar with 544412 (2)   |
| 412081     | * * * - * *                                    | Feed Reversing Shaft complete 412082, 544336   |
| 412082     | * * * - * *                                    | Feed Reversing Shaft   |
| 412267     | * * * - * *                                    | Feed Reversing Lever Handle (optional)   |
| 412268     | * * * - * *                                    | Feed Reversing Lever complete 412269, 412270, 412271   |
| 412269     | * * * - * *                                    | Feed Reversing Lever   |
| 412270     | * * * - * *                                    | Feed Reversing Lever Bracket   |
| 412271     | * * * - * *                                    | Feed Reversing Lever Hinge Pin   |
| 412272     | * * * - * *                                    | Feed Reversing Lever Link  |
| 412273     | * * * - * *                                    | Feed Reversing Lever Spring  |
| 412274     | * * * - * *                                    | Feed Reversing Lever Spring Hook   |
| 412275     | * * - - - -                                    | Feed Reversing Shaft Driving Stud  |
| 508341     | * * * - * *                                    | Feed Reversing Shaft Crank Hinge Stud complete 276046, 514092                                    |
| 514092     | * * * - * *                                    | Feed Reversing Shaft Crank Hinge Stud  |
| 541186     | * * * - * *                                    | Feed Reversing Lever Handle Screw Nut  |
| 544288     | * * * - * *                                    | Feed Reversing Lever Bracket Screw (2)   |
| 544321     | * * * - * *                                    | Feed Reversing Mechanism Support Link Stud Set Screw   |
| 544335     | * * * - * *                                    | Feed Reversing Shaft Crank Pinch Screw   |
| 544336     | * * * - * *                                    | Feed Reversing Shaft Driving Stud Pinch Screw  |
| 544348     | * * * - * *                                    | Feed Reversing Lever Handle Screw  |
| 544365     | * * * - * *                                    | Feed Driving Rock Shaft Crank Hinge Screw  |
| 544409     | * * * - * *                                    | Feed Reversing Shaft Crank Hinge Stud Set Screw  |
| 544409     | * * * - * *                                    | Feed Driving Eccentric Connection Link Hinge Pin Set Screw                                       |
| 544409     | * * * - * *                                    | Feed Reversing Shaft Crank Hinge Stud Set Screw  |
| 544412     | * * * - * *                                    | Feed Reversing Lever Spring Collar Set Screw (2)   |
| 544435     | * * * - * *                                    | Feed Reversing Lever Hinge Screw (2)   |
| 544782     | * * * - * *                                    | Arm Cap (rear)   |
| 545139     | * * * - * *                                    | Feed Driving Rock Shaft Crank Pinch Screw  |
| 545425-451 | * * * - * *                                    | Feed Driving Rock Shaft Crank Hinge Screw Nut  |



| No.        | 212U141A<br>442A<br>211U157A<br>165A<br>166A<br>566A | Description  |
|------------|--|--|
| 691-850    | * * * * *  | Throat Plate Screw                                     |
| 1901-14    | * * - - -  | Needle (135x7 #14) (2)                                 |
| 200141     | * * - - -  | Needle Set Screw (2)                                   |
| 267269-008 | * * - - -  | Needle Holder with 200141 (2) (1/8", 3.2mm)            |
| 267269-012 | * * - - -  | Needle Holder with 200141 (2) (3/16", 4.8mm)           |
| 267269-016 | * * - - -  | Needle Holder with 200141 (2) (1/4", 6.4mm) (standard) |
| 267269-020 | * * - - -  | Needle Holder with 200141 (2) (5/16", 7.9mm)           |
| 267269-024 | * * - - -  | Needle Holder with 200141 (2) (3/8", 9.5mm)            |
| 267271-100 | * * - - -  | Needle Holder with 200141 (2) (1", 25.4mm)             |
| 412191     | * * - - -  | Attachment Slide Plate                                 |
| 412251-008 | * * - - -  | Presser Foot complete (1/8", 3.2mm)                    |
| 412251-012 | * * - - -  | Presser Foot complete (3/16", 4.8mm)                   |
| 412251-016 | * * - - -  | Presser Foot complete (1/4", 6.4mm) (standard)         |
| 412251-020 | * * - - -  | Presser Foot complete (5/16", 7.9mm)                   |
| 412251-024 | * * - - -  | Presser Foot complete (3/8", 9.5mm)                    |
| 412251-100 | * * - - -  | Presser Foot complete (1", 25.4mm)                     |
| 412266-008 | * * - - -  | Feed Dog (1/8", 3.2mm)                                 |
| 412253-012 | * * - - -  | Feed Dog (3/16", 4.8mm)                                |
| 412254-016 | * * - - -  | Feed Dog (1/4", 6.4mm) (standard)                      |
| 412254-020 | * * - - -  | Feed Dog (5/16", 7.9mm)                                |
| 412254-024 | * * - - -  | Feed Dog (3/8", 9.5mm)                                 |
| 412255-100 | * * - - -  | Feed Dog (1", 25.4mm)                                  |
| 412256-008 | * * - - -  | Throat Plate (1/8", 3.2mm)                             |
| 412256-012 | * * - - -  | Throat Plate (3/16", 4.8mm)                            |
| 412256-016 | * * - - -  | Throat Plate (1/4", 6.4mm) (standard)                  |
| 412256-020 | * * - - -  | Throat Plate (5/16", 7.9mm)                            |
| 412256-024 | * * - - -  | Throat Plate (3/8", 9.5mm)                             |
| 412256-100 | * * - - -  | Throat Plate (1", 25.4mm)                              |
| 412262-008 | * * - - -  | Presser Foot with Finger Guard (1/8", 3.2mm)           |
| 412262-012 | * * - - -  | Presser Foot with Finger Guard (3/16", 4.8mm)          |
| 412262-016 | * * - - -  | Presser Foot with Finger Guard (1/4", 6.4mm)           |
| 412262-020 | * * - - -  | Presser Foot with Finger Guard (5/16", 7.9mm)          |
| 412262-024 | * * - - -  | Presser Foot with Finger Guard (3/8", 9.5mm)           |
| 412262-100 | * * - - -  | Presser Foot with Finger Guard (1", 25.4mm)            |
| 514056     | * * - - -  | Bed Slide (front)                                      |
| 514057     | * * - - -  | Bed Slide (back)                                       |
| 544382     | * * - - -  | Throat Plate Clamp Screw                               |
| 544389     | * * - - -  | Attachment Slide Plate Lock Screw                      |
| 544399     | * * * * *  | Feed Dog Screw (2)                                     |



| No.        | 212U141A<br>442A<br>211U157A<br>165A<br>166A<br>566A | Description  |
|------------|--|--|
| 411125     | * * * * *  | Thread Unwinder Foot With 504029   |
| 411127     | * * * * *  | Thread Unwinder Rod (2)  |
| 411129     | * * * * *  | Thread Unwinder Rod Connection Complete 411130, 541183,<br>544218-056                                      |
| 411130     | * * * * *  | Thread Unwinder Rod Connection (2)   |
| 411133     | * * * * *  | Thread Unwinder Rod Cap  |
| 411134     | * * * * *  | Thread Unwinder Spool (3)  |
| 411138     | * * * * *  | Thread Unwinder Spool Carrier Plate (3)  |
| 411139     | * * * * *  | Thread Unwinder Spool Cushion (3)  |
| 411143     | * * * * *  | Thread Unwinder Thread Guide Bushing (3)   |
| 412069     | * * * * *  | Thread Unwinder Complete 411125, 411127, 411129, 411133,<br>411138, 411139, 412070, 412071, 544112, 546893 |
| 412070     | * * * * *  | Thread Unwinder Spool Carrier Arm With 541166-001,<br>543805-004, 544278-061                               |
| 412071     | * * * * *  | Thread Unwinder Thread Guide With 411143, 541166-001,<br>543805-004, 544278-061                            |
| 412198     | * * * * *  | Thread Unwinder Spool Carrier Arm Holder Plate   |
| 504029     | * * * * *  | Thread Unwinder Rod Set Screw (2)  |
| 541166-004 | * * * * *  | Thread Unwinder Spool Nut (3)  |
| 541166-004 | * * * * *  | Thread Unwinder Spool Carrier Arm Screw Nut  |
| 541166-004 | * * * * *  | Thread Unwinder Thread Guide Nut   |
| 541183     | * * * * *  | Thread Unwinder Rod Connection Screw Nut (2)   |
| 543803-007 | * * * * *  | Thread Unwinder Spool Washer (3)   |
| 543805-004 | * * * * *  | Thread Unwinder Spool Spring Washer (3)  |
| 543805-004 | * * * * *  | Thread Unwinder Spool Carrier Arm Screw Spring Washer  |
| 543805-004 | * * * * *  | Thread Unwinder Thread Guide Spring Washer (3)   |
| 544112     | * * * * *  | Thread Unwinder Wood Screw (3)   |
| 544112     | * * * * *  | Thread Unwinder Spool Carrier Arm Holder Plate Wood<br>Screw   |
| 544218-056 | * * * * *  | Thread Unwinder Rod Connection Screw (2)   |
| 544278-061 | * * * * *  | Thread Unwinder Spool Carrier Arm Screw  |
| 544278-061 | * * * * *  | Thread Unwinder Thread Guide Screw   |
| 546893     | * * * * *  | Thread Unwinder Spool Holder (3)   |



| No.    | 212U141A<br>442A<br>211U157A<br>165A<br>166A<br>566A | Description   |
|--------|--|---|
| 224411 | * * * * *  | Knee Lifter Connection Lever Lifting Rod Roller   |
| 228363 | * * * * *  | Knee Lifter Rock Lever Hinge Pin  |
| 228365 | * * * * *  | Knee Lifter Rock Lever Rod  |
| 228367 | * * * * *  | Knee Lifter Rock Lever Stop Stud  |
| 228386 | * * * * *  | Knee Lifter Rock Lever Spring   |
| 228388 | * * * * *  | Knee Lifter Rock Lever Knee Plate Arm   |
| 228455 | * * * * *  | Knee Lifter Rock Lever Position Spring  |
| 412049 | * * * * *  | Wood Screw (3)  |
| 412062 | * * * * *  | Knee Lifter Rock Lever Bracket complete 228363, 228367,<br>228386, 228455, 412063, 412064 |
| 412063 | * * * * *  | Knee Lifter Rock Lever with 504105 (2)  |
| 412064 | * * * * *  | Knee Lifter Rock Lever Bracket with 544395  |
| 412065 | * * * * *  | Knee Lifter Rock Lever Knee Plate with 504105   |
| 412067 | * * * * *  | Knee Lifter Connection Lever Lifting Rod Roller<br>complete 224411, 412068, 544355        |
| 412068 | * * * * *  | Knee Lifter Connection Lever Lifting Rod Roller<br>Bracket with 549104                    |
| 412296 | * * * * *  | Knee Lifter Rock Lever Extension complete 412297,<br>412298, 544396                       |
| 412297 | * * * * *  | Knee Lifter Rock Lever Extension  |
| 412298 | * * * * *  | Knee Lifter Rock Lever Holder   |
| 412308 | * * * * *  | Knee Lifter Rock Lever complete 228365, 228388, 412049 (3),<br>412062, 412065, 412296     |
| 504105 | * * * * *  | Knee Lifter Rock Lever Extension Set Screw  |
| 504105 | * * * * *  | Knee Lifter Rock Lever Knee Plate Arm Set Screw   |
| 504105 | * * * * *  | Knee Lifter Rock Lever Knee Plate Set Screw   |
| 541461 | * * * * *  | Knee Lifter Rock Lever Holder Lock Nut  |
| 544355 | * * * * *  | Knee Lifter Connection Lever Lifting Rod Roller Hinge<br>Screw                            |
| 544395 | * * * * *  | Knee Lifter Rock Lever Stop Stud Set Screw  |
| 544396 | * * * * *  | Knee Lifter Rock Lever Rod Set Screw  |
| 549104 | * * * * *  | Knee Lifter Connection Lever Lifting Rod Roller Pinch<br>Screw                            |

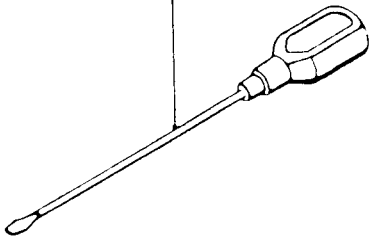
1901-14



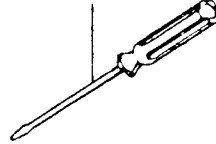
244750



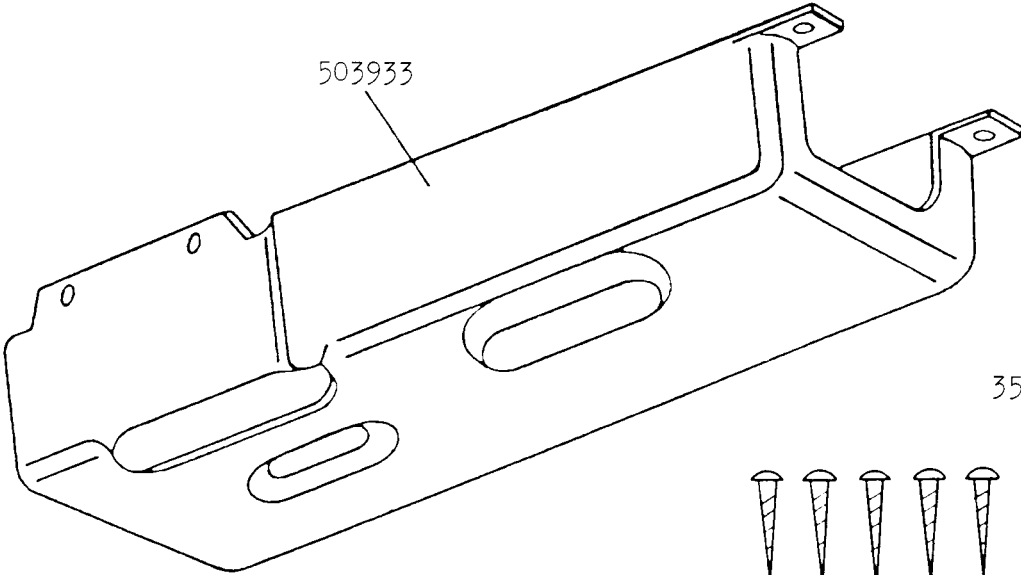
548701



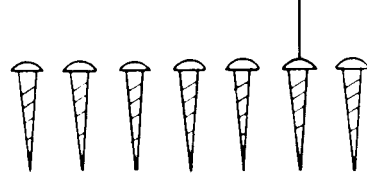
541514



503933

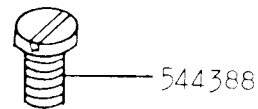
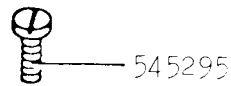
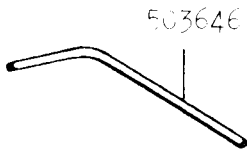
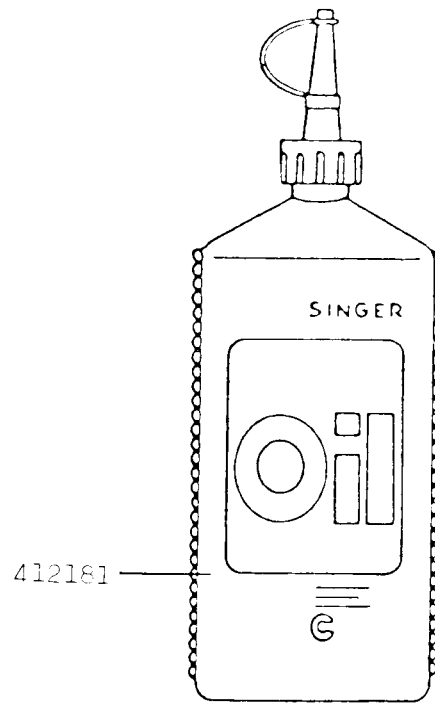
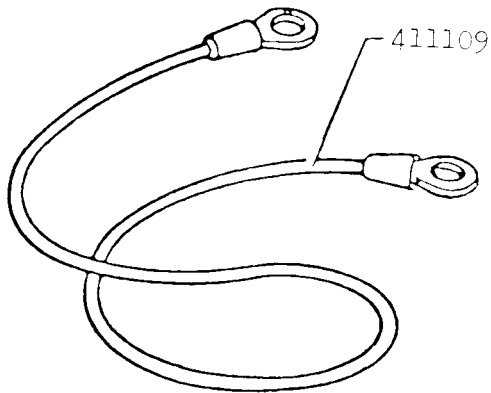
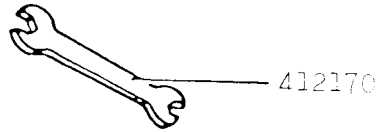
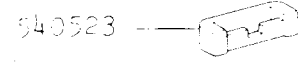
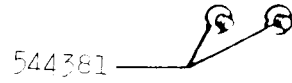
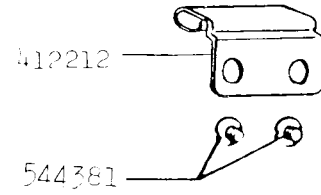
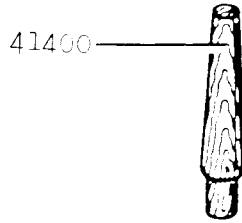
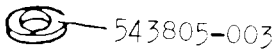
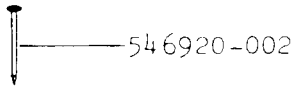
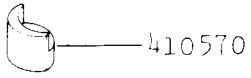
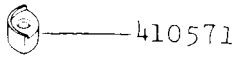


350708



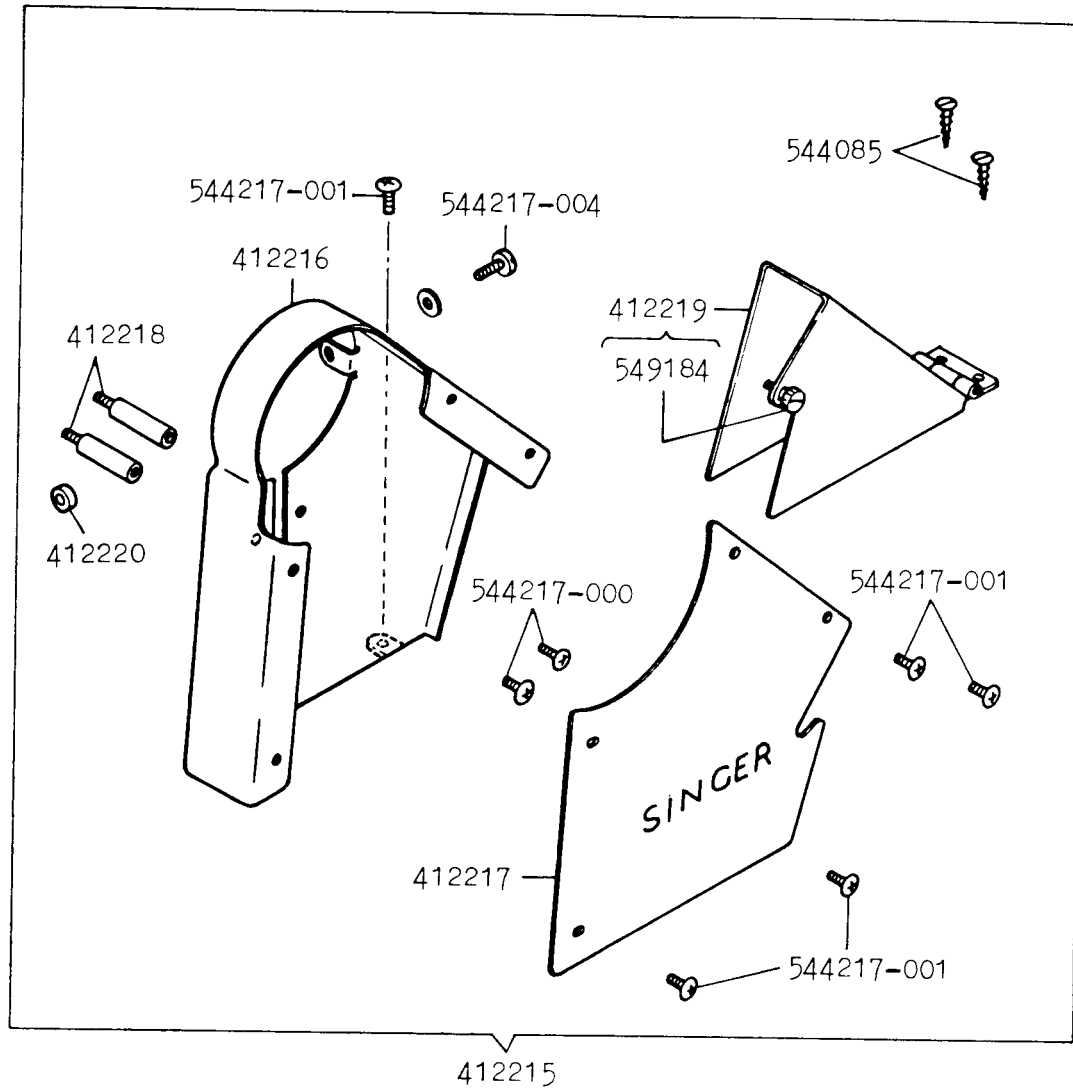


| No.     | 212U141A<br>442A<br>211U157A<br>165A<br>166A<br>566A | Description              |
|---------|--|--------------------------|
| 1901-14 | * * - - - -  | Needle (135 x 7 #14) (5) |
| 244750  | * * * * * -  | Bobbin (4)               |
| 350708  | * * * * * *  | Drip Pan Screw Nail (7)  |
| 503933  | * * * * * *  | Drip Pan                 |
| 541514  | * * * * * *  | Screw Driver (small)     |
| 548701  | * * * * * *  | Screw Driver (long)      |



| No.        | 212U141A<br>442A<br>211U157A<br>165A<br>166A<br>566A | Description                          |
|------------|--|--------------------------------------|
| 41400      | * * * * *  | Machine Rest Pin (wood)              |
| 410570     | * * * * *  | Machine Rest (front) (2)             |
| 410571     | * * * * *  | Machine Rest (back) (2)              |
| 411109     | * * * * *  | Machine Grounding Wire               |
| 412170     | * * * * *  | Wrench                               |
| 412181     | * * * - - -  | Oiler (250cc, C-Type)                |
| 412212     | * * - - - -  | Machine Hinge Connection (2)         |
| 503646     | * * * * *  | Wrench (3/32 inch, Hexagon)          |
| 540523     | * * * * *  | Machine Hinge Connection Cushion (2) |
| 543805-003 | * * * * *  | Machine Grounding Wire Lock Washer   |
| 544381     | * * - - - -  | Bed Hinge Connection Screw (4)       |
| 544388     | * * - - - -  | Attachment Screw (large)             |
| 545295     | * * * * *  | Attachment Screw (small)             |
| 546920-002 | * * * * *  | Nail (4)                             |

OPTIONAL PARTS



| No.        | 212U141A<br>442A<br>211U157A<br>165A<br>166A<br>566A | Description   |
|------------|--|---|
|            |  | <u>OPTION</u>   |
| 412215     | * * * * *  | Belt Guard Cpl. 412216, 412217, 412218 (2), 412219,<br>412220, 544085 (2), 544217-001 (7), 544217-004 |
| 412216     | * * * * *  | Belt Guard  |
| 412217     | * * * * *  | Belt Guard Plate  |
| 412218     | * * * * *  | Belt Guard Screw Stud (2)   |
| 412219     | * * * * *  | Belt Guard (lower) with 549184  |
| 412220     | * * * * *  | Belt Guard Screw Collar   |
| 544085     | * * * * *  | Belt Guard (lower) Wood Screw (2)   |
| 544217-001 | * * * * *  | Belt Guard Screw (3)  |
| 544217-001 | * * * * *  | Belt Guard Plate Screw (4)  |
| 544217-004 | * * * * *  | Belt Guard Screw (long)   |
| 549184     | * * * * *  | Belt Guard (lower) Thumb Screw  |