

ILLUSTRATED

PARTSLIST

FOR

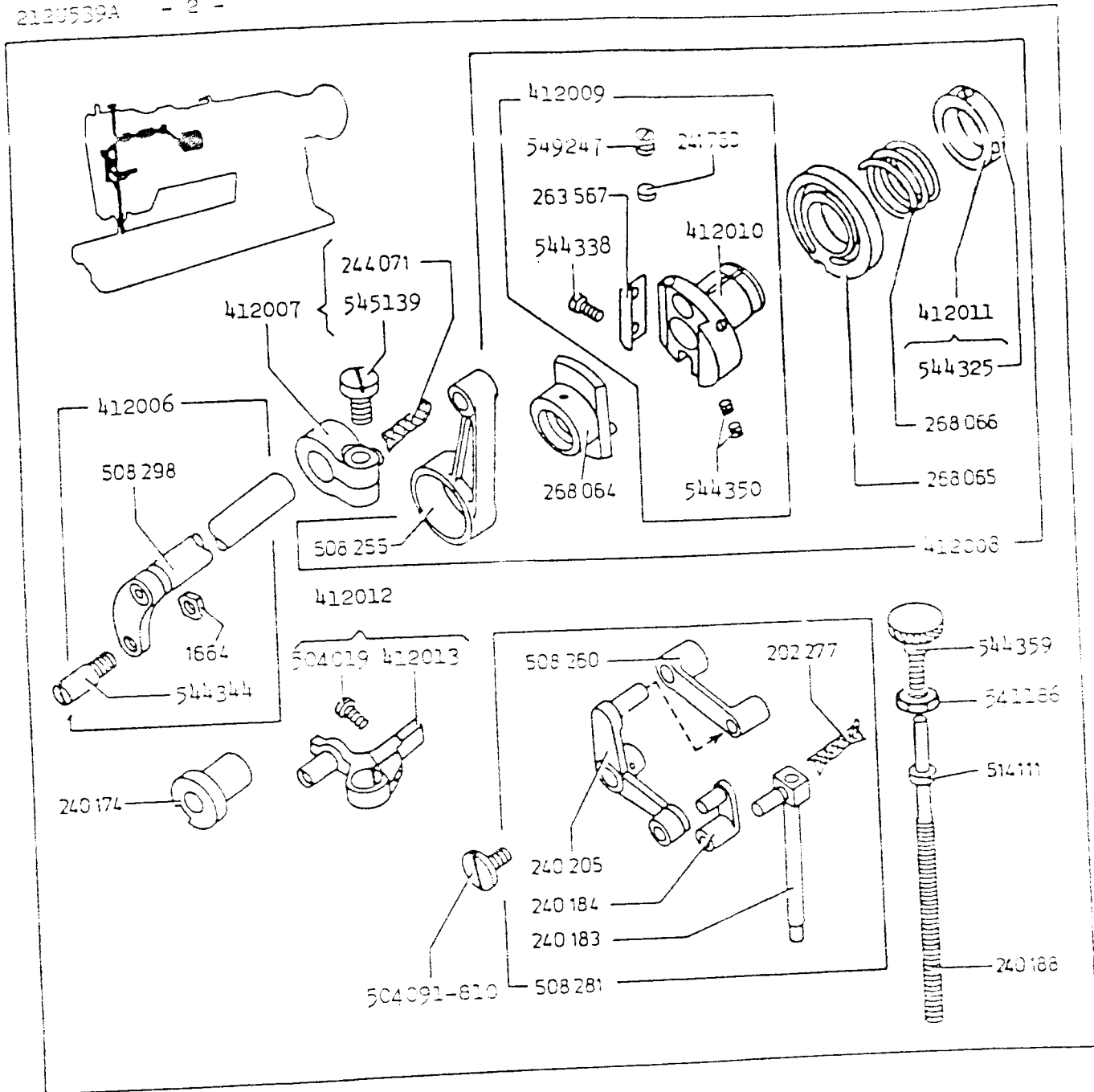
SINGER*

MACHINE

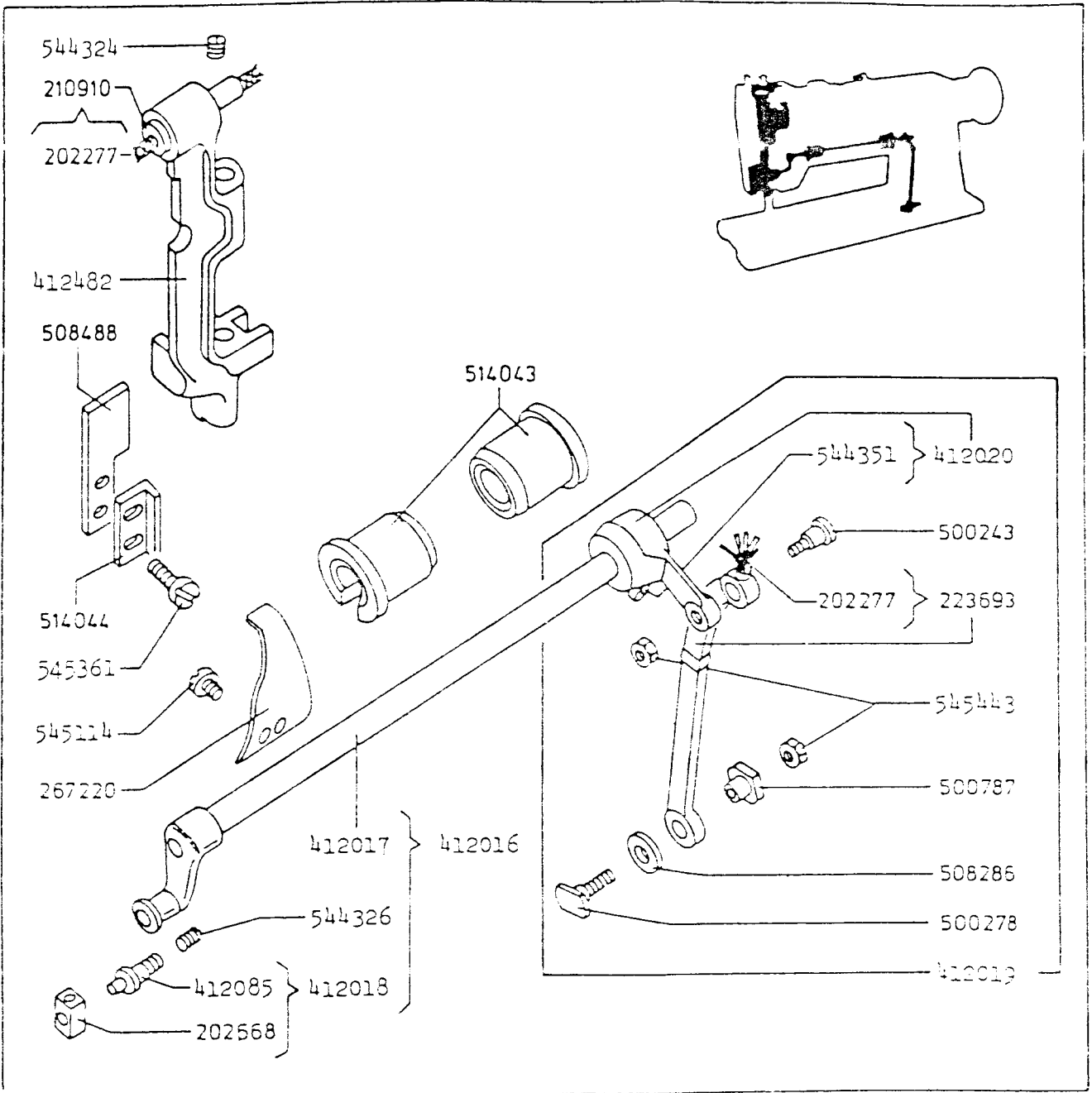
212U539A

* A Trademark of THE SINGER COMPANY
Copyright © 1983 THE SINGER COMPANY
All Rights Reserved Throughout the World

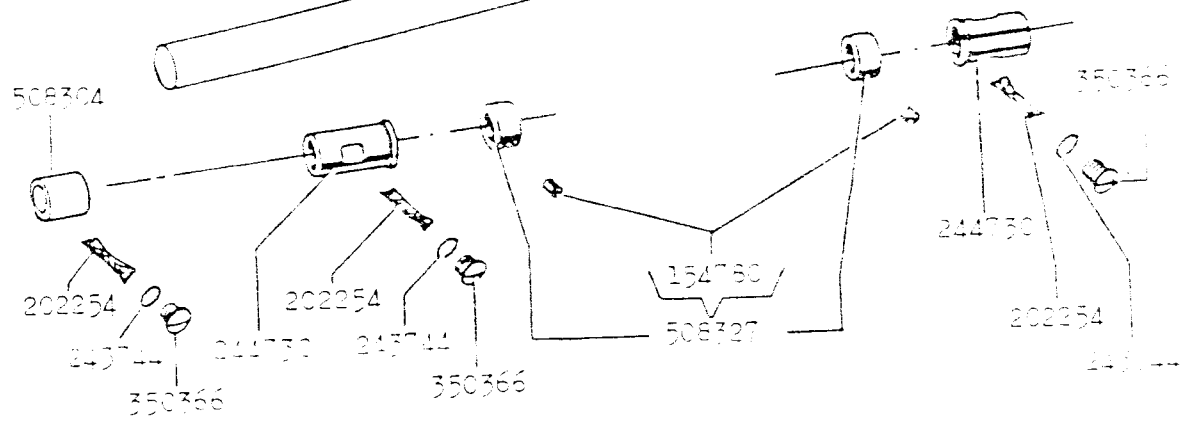
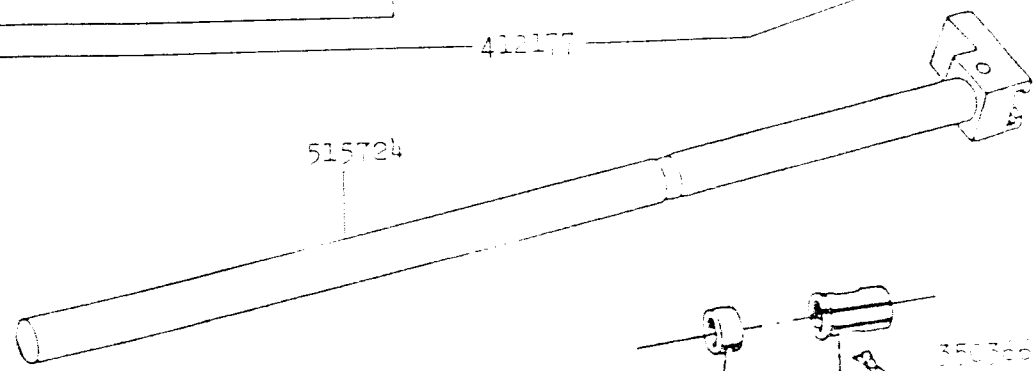
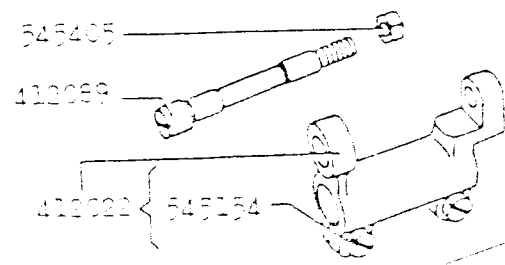
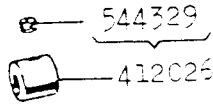
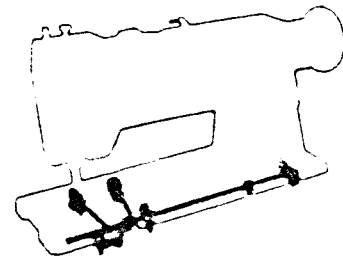
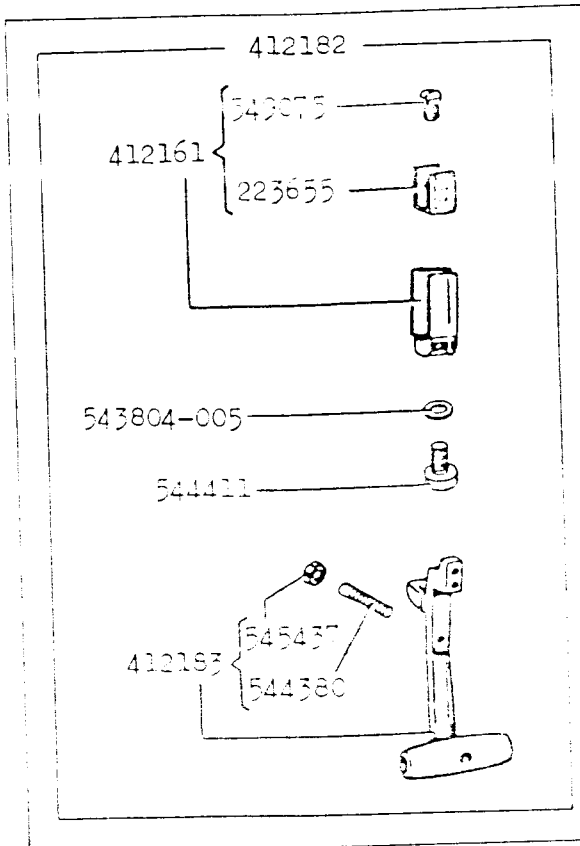
No.	212U117A	541A	539A	211U166A	566A	567A	Description
141566	*	*	*	*	*	*	Machine Pulley Position Screw
141567	*	*	*	*	*	*	Machine Pulley Set Screw
202253	*	*	*	*	*	*	Arm Shaft Connecting Belt Pulley Spring Flange (2)
202330	*	*	*	*	*	*	Needle Bar Connecting Stud Wick
202399	*	*	*	*	*	*	Take-up Lever Driving Stud with 244071
202552	*	*	*	*	*	*	Needle Bar Connecting Link
204329	*	*	*	*	*	*	Arm Shaft Bushing (front) Oil Pad (felt) (lower)
235706	*	*	*	*	*	*	Take-up Lever Hinge Stud Oil Wick
244071	*	*	*	*	*	*	Take-up Lever Driving Stud Oil Wick
244747	*	*	*	*	*	*	Arm Shaft Bushing (front) with 412234
267158	*	*	*	*	*	*	Arm Shaft
267160	*	*	*	*	*	*	Arm Shaft Bushing (front) Oil Pad (felt) (upper)
267161	*	*	*	*	*	*	Arm Shaft Connecting Belt
267221	*	*	*	*	*	*	Needle Bar Connecting Link Stud with 267466
267224	*	*	*	*	*	*	Needle Bar Crank Friction Washer
267466	*	*	*	*	*	*	Needle Bar Connecting Link Stud Wick
272142	*	*	*	*	*	*	Machine Pulley Ball Bearing (back)
412002	-	-	*	*	*	*	Needle Bar Connecting Stud with 202330, 544380
412005	*	*	*	*	*	*	Arm Shaft Connecting Belt Pulley with 202253 (2), 544322, 544330
412118	-	*	*	-	*	*	Needle Bar Crank
412129	-	*	*	-	*	*	Arm Shaft, Needle Bar Crank complete 267158, 412118, 544323, 544358
412130	-	*	*	-	*	*	Arm Shaft, Needle Bar Crank, Needle Bar Connecting Link Stud complete 267221, 412129, 544327, 544332
412225	*	*	*	*	*	*	Take-up Lever Hinge Stud with 235706
412226	*	*	*	*	*	*	Take-up Lever Hinge Stud Wearing Washer
412234	*	*	*	*	*	*	Arm Shaft Bushing (front) Oil Wick
412239	*	*	*	*	*	*	Take-up Lever Guard
412481	-	-	*	-	-	-	Arm Shaft, Needle Bar Crank, Take-up Lever complete 202399, 202552, 412002, 412130, 412225, 412226, 514154
514154	-	*	*	-	-	-	Take-up Lever
514314	-	-	*	*	*	*	Machine Pulley with 141566, 141567, 272142
544322	*	*	*	*	*	*	Arm Shaft Connecting Belt Pulley Set Screw
544323	*	*	*	*	*	*	Needle Bar Crank Position Screw
544324	*	*	*	*	*	*	Arm Shaft Bushing (front) Set Screw
544327	*	*	*	*	*	*	Needle Bar Connecting Link Stud Set Screw
544330	*	*	*	*	*	*	Arm Shaft Connecting Belt Pulley Position Screw
544332	*	*	*	*	*	*	Needle Bar Connecting Link Stud Set Screw
544358	*	*	*	*	*	*	Needle Bar Crank Neck Screw
545370	*	*	*	*	*	*	Take-up Lever Hinge Stud Set Screw
549027	*	*	*	*	*	*	Take-up Lever Guard Screw (3)
549380	*	*	*	*	*	*	Needle Bar Connecting Stud Pinch Screw



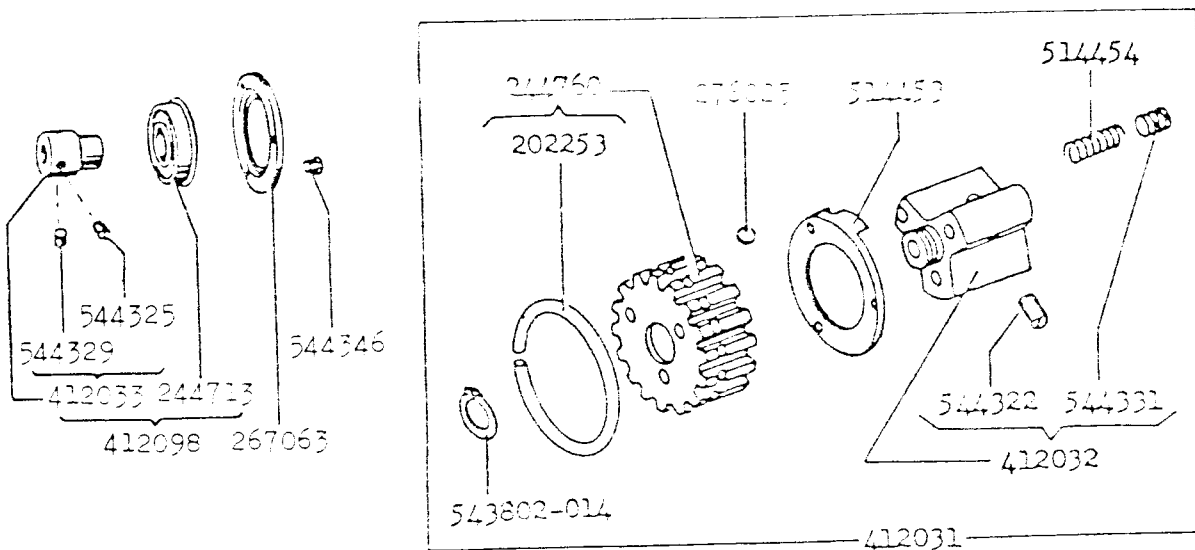
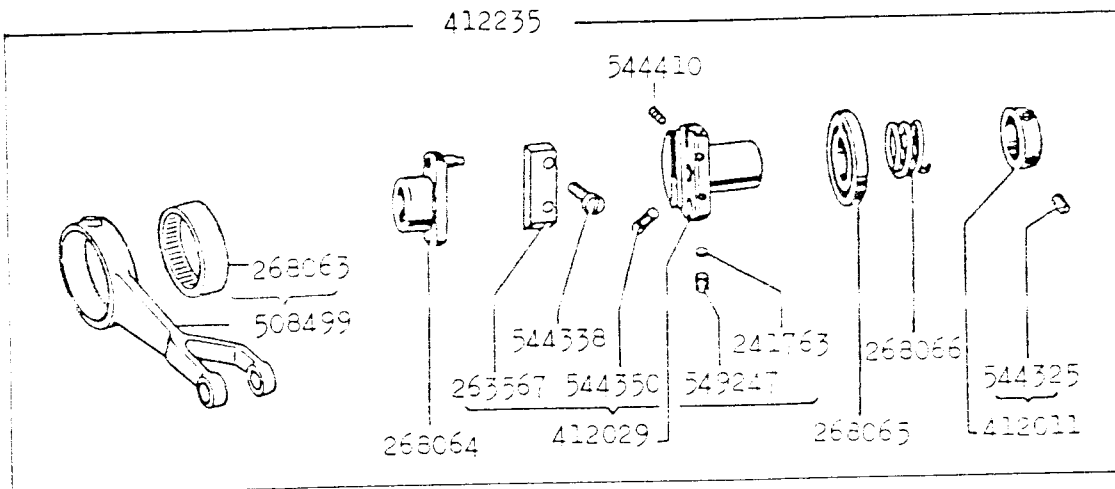
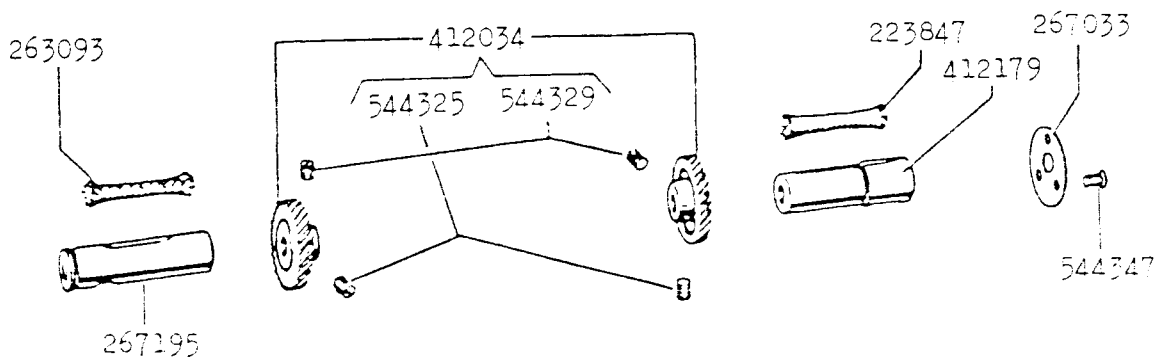
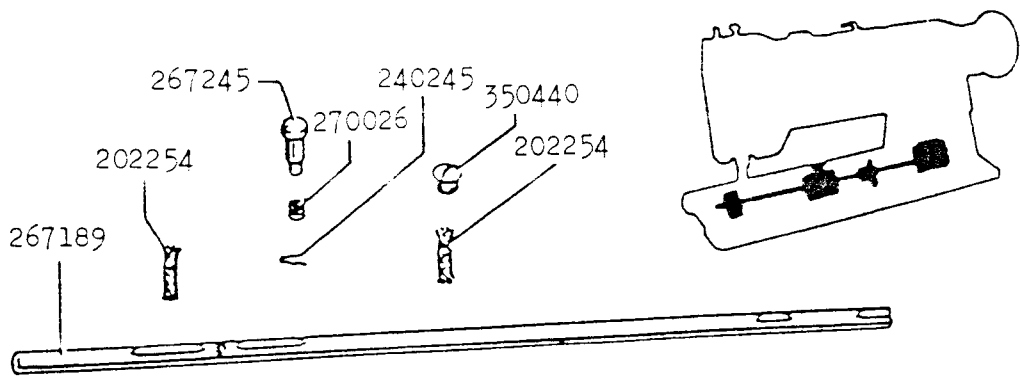
No.						Description	
	212U141A	541A	539A	211U166A	560A		567A
1664	-	-	*	*	*	*	Lifting Bell Crank Link Screw Stud Nut
202277	-	-	*	*	*	*	Vibrating Presser Bar Wick
240174	-	-	*	*	*	*	Lifting Rock Shaft Bushing (2)
240183	-	-	*	*	*	*	Vibrating Presser Bar
240184	-	-	*	*	*	*	Vibrating Presser Bar Connecting Link
240188	-	-	*	*	*	*	Vibrating Presser Bar Extension Spring
240205	-	-	*	*	*	*	Lifting Bell Crank
241763	-	-	*	*	*	*	Eccentric Friction Plate Screw Set Screw (2)
244071	-	-	*	*	*	*	Lifting Eccentric Connection Crank Oil Wick
263567	-	-	*	*	*	*	Lifting Eccentric Friction Plate
268064	-	-	*	*	*	*	Lifting Eccentric
268065	-	-	*	*	*	*	Lifting Eccentric Adjusting Disc
268066	-	-	*	*	*	*	Lifting Eccentric Adjusting Disc Spring
412006	-	-	*	*	*	*	Lifting Rock Shaft complete 1664, 508298, 544344
412007	-	-	*	*	*	*	Lifting Eccentric Connection Crank with 244071, 545139
412008	-	-	*	*	*	*	Lifting Eccentric with 263064, 268065, 268066, 412009, 412011, 508255
412009	-	-	*	*	*	*	Lifting Eccentric Flange complete 241763 (2), 263567, 412010, 544338 (2), 544350 (4), 549247 (2)
412010	-	-	*	*	*	*	Lifting Eccentric Flange
412011	-	-	*	*	*	*	Lifting Eccentric Adjusting Disc Spring Collar with 544325 (2)
412012	-	-	*	*	*	*	Presser Bar Lifting Bracket complete 412013, 504019
412013	-	-	*	*	*	*	Presser Bar Lifting Bracket
504019	-	-	*	*	*	*	Presser Bar Lifting Bracket Pinch Screw
504091-810	-	-	*	*	*	*	Lifting Bell Crank Cap Screw
508255	-	-	*	*	*	*	Lifting Eccentric Connection
508260	-	-	*	*	*	*	Lifting Bell Crank Link
508281	-	-	*	*	*	*	Vibrating Presser Bar with Bell Crank and Lifting Bell Crank complete 202277, 240183, 240184, 240205
508298	-	-	*	*	*	*	Lifting Rock Shaft
514111	-	-	*	*	*	*	Vibrating Presser Bar Extension
541186	-	-	*	*	*	*	Vibrating Presser Bar Thumb Screw Lock Nut
544325	-	-	*	*	*	*	Lifting Eccentric Adjusting Disc Spring Collar Set Screw (2)
544338	-	-	*	*	*	*	Lifting Eccentric Friction Plate Screw (2)
544344	-	-	*	*	*	*	Lifting Bell Crank Link Screw Stud
544350	-	-	*	*	*	*	Lifting Eccentric Flange Set Screw (4)
544359	-	-	*	*	*	*	Vibrating Presser Bar Thumb Screw (pressure regulating)
545139	-	-	*	*	*	*	Lifting Eccentric Connection Crank Pinch Screw
549247	-	-	*	*	*	*	Lifting Eccentric Friction Plate Screw Set Screw (2)



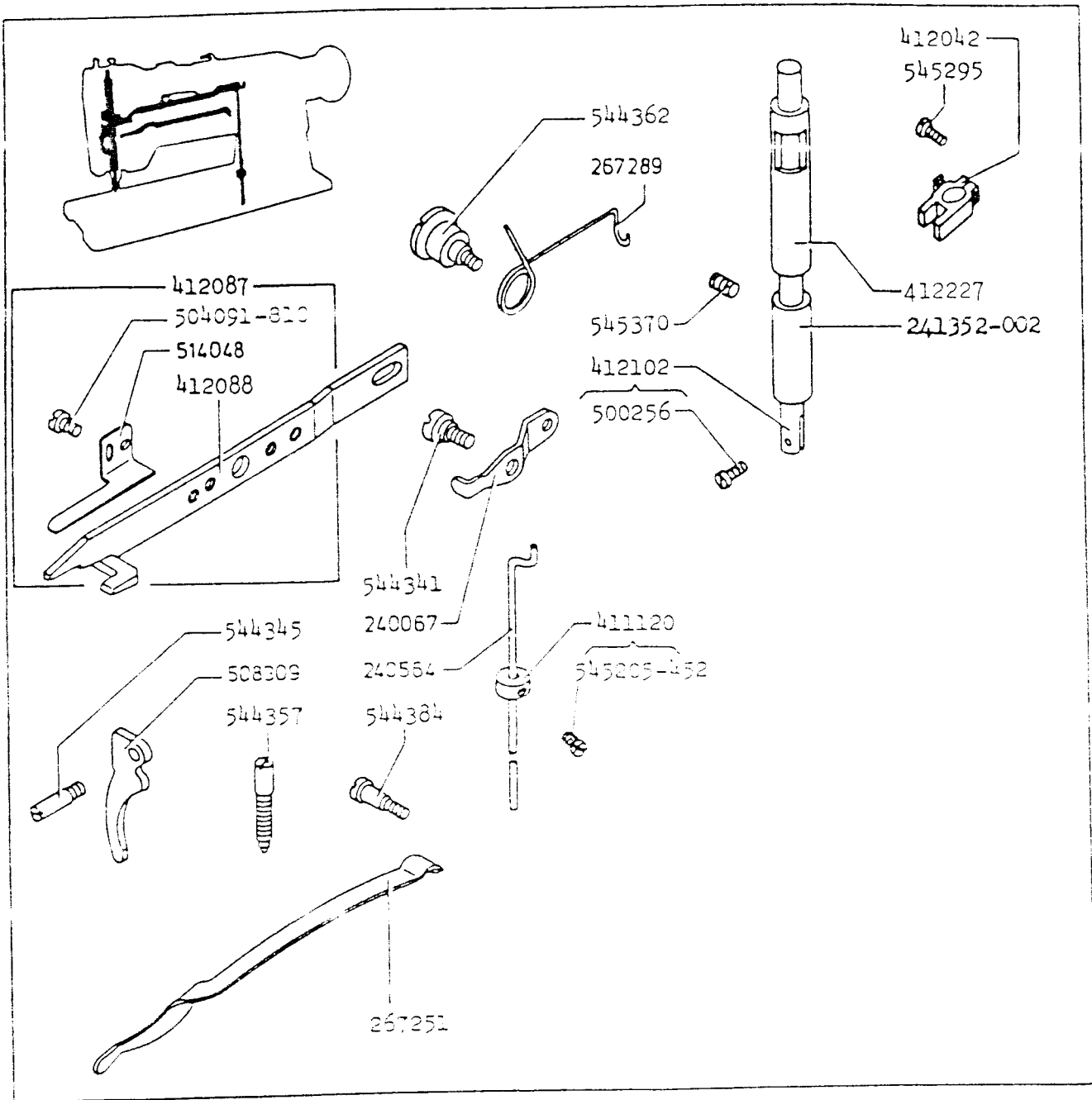
No.	212U41A	541A	539A	211U166A	566A	567A	Description
202277	-	-	*	*	*	*	Needle Bar Rock Frame Hinge Stud Oil Wick
202277	-	-	*	*	*	*	Needle Bar Rock Frame Rock Shaft Crank Connection Oil Wick
202668	-	-	*	*	*	*	Needle Bar Rock Frame Rock Shaft Slide Block
210910	-	-	*	*	*	*	Needle Bar Rock Frame Hinge Stud with 202277
223693	-	-	*	*	*	*	Needle Bar Rock Frame Rock Shaft Crank Connection with 202277
267220	*	*	*	*	*	*	Oil Guard
412016	-	-	*	*	*	*	Needle Bar Rock Frame Rock Shaft complete 412017 412018, 544326
412017	-	-	*	*	*	*	Needle Bar Rock Frame Rock Shaft
412018	-	-	*	*	*	*	Needle Bar Rock Frame Rock Shaft Slide Block complete 202668, 412085
412019	-	-	*	*	*	*	Needle Bar Rock Shaft Connection Link Crank complete 223693, 412020, 500243, 500276, 500787, 508286, 545443 (2)
412020	-	-	*	*	*	*	Needle Bar Rock Shaft Connection Link Crank with 544351
412085	-	-	*	*	*	*	Needle Bar Rock Frame Rock Shaft Slide Block Stud
412482	-	-	*	-	-	-	Needle Bar Rock Frame
500243	-	-	*	*	*	*	Needle Bar Rock Shaft Crank Hinge Screw
500276	-	-	*	*	*	*	Needle Bar Rock Shaft Crank Link Slide Screw
500787	-	-	*	*	*	*	Needle Bar Rock Shaft Crank Link Slide Screw Nut
508286	-	-	*	*	*	*	Needle Bar Rock Shaft Crank Link Slide Screw Spacer
508488	-	-	*	*	*	*	Presser Bar Guide
514043	-	-	*	*	*	*	Needle Bar Rock Shaft Bushing (2)
514044	-	-	*	*	*	*	Needle Bar Rock Frame Position Bracket
544324	-	-	*	*	*	*	Needle Bar Rock Frame Hinge Stud Set Screw
544326	-	-	*	*	*	*	Needle Bar Rock Frame Rock Shaft Slide Block Stud Set Screw
544351	-	-	*	*	*	*	Needle Bar Rock Shaft Connection Link Crank Bush Screw
545114	*	*	*	*	*	*	Oil Guard Screw (2)
545361	-	-	*	*	*	*	Presser Bar Guide Screw (2)
545443	-	-	*	*	*	*	Needle Bar Rock Shaft Crank Hinge Screw
545443	-	-	*	*	*	*	Needle Bar Rock Shaft Crank Link Slide Screw Lock Nut



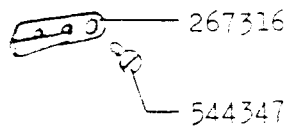
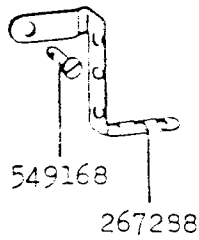
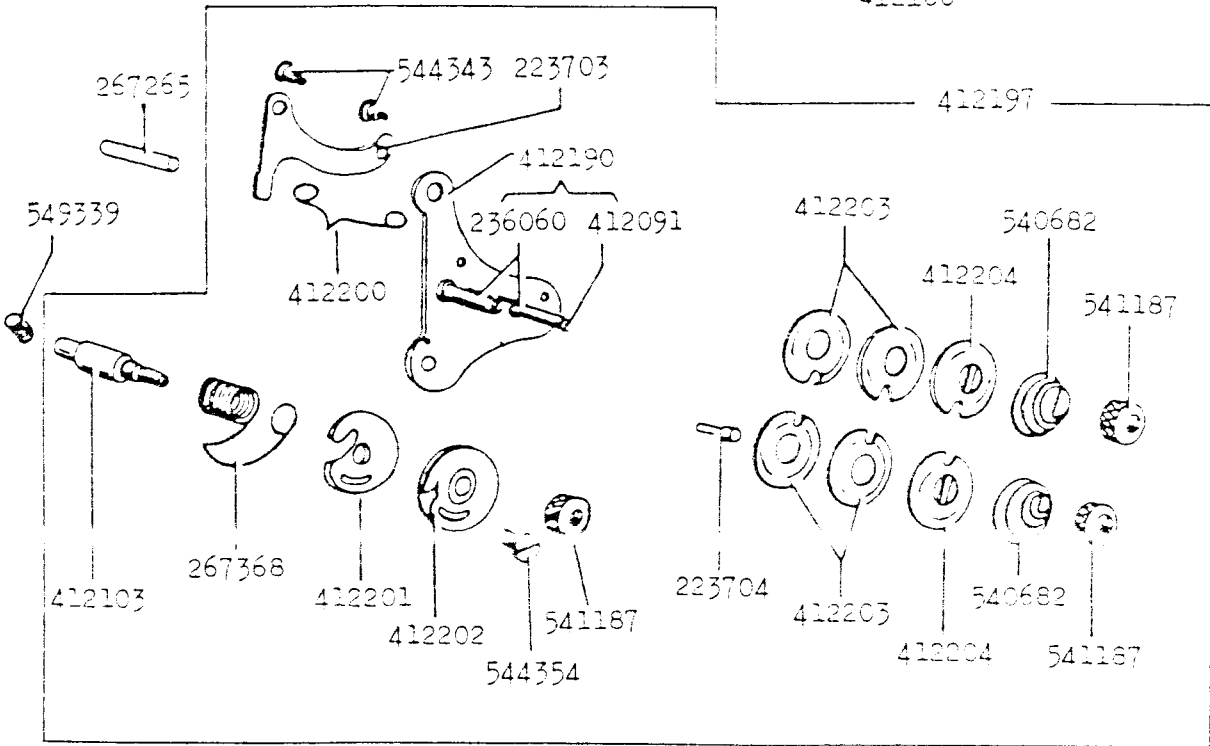
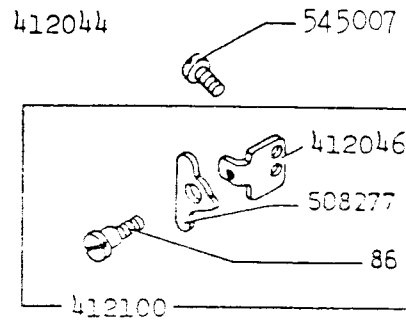
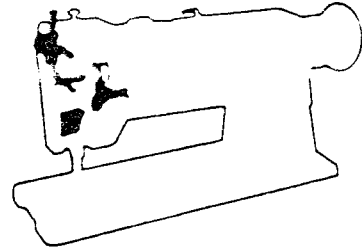
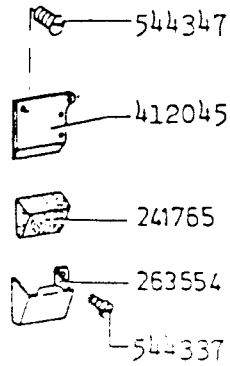
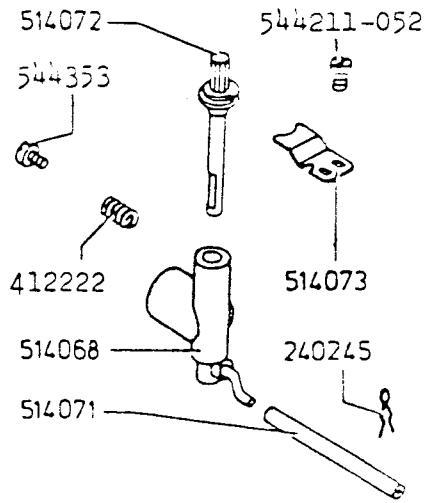
No.	212U141A 541A 539A 211U166A 566A 567A	Description
154730	* * * * *	Feed Driving Rock Shaft Stop Collar Set Screw (4)
202254	* * * * *	Bed Oil Wick (front)
202254	* * * * *	Bed Oil Wick (center)
202254	* * * * *	Bed Oil Wick (back)
223655	* * * * *	Feed Lifting Eccentric Fork Oiling Felt
243744	* * * * *	Bed Oil Stop Screw Gasket (front)
243744	* * * * *	Bed Oil Stop Screw Gasket (center)
243744	* * * * *	Bed Oil Stop Screw Gasket (back)
244730	* * * * *	Feed Driving Rock Shaft Bushing (center)
244730	* * * * *	Feed Driving Rock Shaft Bushing (back)
350366	* * * * *	Bed Oil Stop Screw (front)
350366	* * * * *	Bed Oil Stop Screw (center)
350366	* * * * *	Bed Oil Stop Screw (back)
412022	* * * * *	Feed Driving Rock Frame with 545154 (2)
412026	* * * * *	Feed Lifting Eccentric with 544329
412089	* * * * *	Feed Bar Hinge Screw (driving)
412161	* * * - - -	Feed Lifting Eccentric Fork with 223655, 549075
412177	* * * - - -	Feed Driving Rock Frame complete 412022, 412089, 412132, 545405
412132	* * * - - -	Feed Bar complete 412161, 412133, 543804-305, 544411
412133	* * * - - -	Feed Bar with 544380, 545437
508304	* * * * *	Feed Driving Rock Shaft Bushing (front)
508327	* * * * *	Feed Driving Rock Shaft Stop Collar (2) with 154730 (2)
515724	* * * - - -	Feed Driving Rock Shaft
543804-005	* * * * *	Feed Lifting Eccentric Fork Screw Washer
544329	* * * * *	Feed Lifting Eccentric Set Screw
544380	* * * - - -	Feed Dog Support Screw
544411	* * * * *	Feed Lifting Fork Screw
545154	* * * * *	Feed Driving Rock Frame Pinch Screw (2)
545405	* * * * *	Feed Bar Hinge Screw Nut
545437	* * * - - -	Feed Dog Support Screw Nut
549075	* * * * *	Feed Lifting Eccentric Fork Oiling Felt Screw



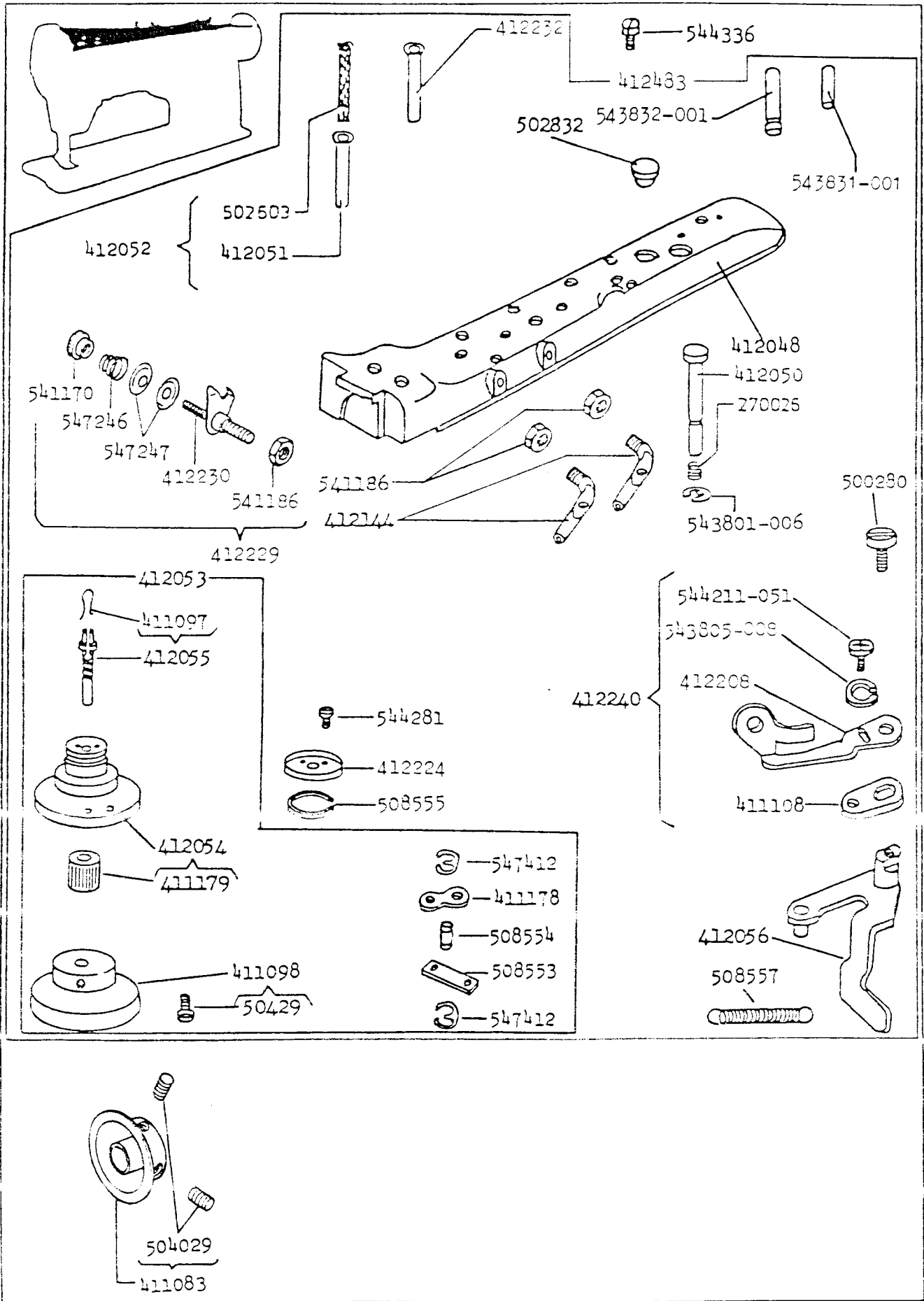
No.	212U141A 541A 539A 211U16A 566A 567A	Description
202253	* * * * *	Safty Clutch Belt Pulley Spring
202254	* * * * *	Bed Oil Wick (front)
202254	* * * * *	Bed Oil Wick (back)
223847	* * * * *	Hook Saddle Bearing (right) Oil Packing (wick)
240245	* * * * *	Feed Regulating Stud Retaining Spring
241763	* * * * *	Feed Driving Eccentric Plate Screw Set Screw Packing (brass) (2)
244713	* * * * *	Hook Driving Shaft Ball Bearing
244760	- - * * *	Safty Clutch Belt Pulley with 202253
263093	* * * * *	Hook Saddle Bearing (left) Oil Packing (wick)
263567	* * * * *	Feed Driving Flange Friction Plate
267033	* * * * *	Feed Driving Eccentric Connection Friction Washer
267063	* * * * *	Hook Driving Shaft Ball Bearing Retaining Washer
267189	* * * * *	Hook Driving Shaft
267195	* * * * *	Hook Saddle Bearing (left)
267245	* * * * *	Feed Regulating Stud
268063	* * * * *	Feed Driving Eccentric Connection Needle Bearing
268064	* * * * *	Feed Driving Eccentric
268065	* * * * *	Feed Driving Eccentric Adjusting Disc
268066	* * * * *	Feed Driving Eccentric Adjusting Disc Spring
270026	* * * * *	Feed Regulating Stud Spring
276025	- - * * *	Safty Clutch Driving Ball (7/32 in diameter) (3)
350440	* * * * *	Bed Oil Screw
412011	* * * * *	Feed Driving Eccentric Adjusting Disc Spring Collar with 544325 (2)
412029	* * * * *	Feed Driving Flange with 241763 (2), 263567, 544350, 544388 (2), 544410, 549247 (2)
412031	- - * * *	Safty Clutch Complete 241763, 276025 (3), 412032, 514453, 514454 (3), 543902-014
412032	- - * * *	Safty Clutch Over Load Pulley with 544322 (2), 544331 (3)
412033	* * * * *	Hook Driving Shaft Ball Bearing Collar with 544325, 544329
412034	* * * * *	Hook Driving Gear (spiral) (2) with 544325, 544329
412098	* * * * *	Hook Driving Shaft Ball Bearing complete 244713, 412033
412179	* * * * *	Hook Saddle Bearing (right)
412235	* * * * *	Feed Driving Eccentric complete 268064, 268065, 268066, 412011, 412029, 508199
508199	* * * * *	Feed Driving Eccentric Connection with 268063
514150	- - * * *	Safty Clutch Disc
514454	- - * * *	Safty Clutch Driving Ball Spring (3)
543902-014	- - * * *	Safty Clutch Over Load Pulley Retaining Pin
544322	- - * * *	Safty Clutch Over Load Pulley Set Screw (2)
544325	* * * * *	Hook Driving Gear Set Screw (2)
544325	* * * * *	Feed Driving Eccentric Adjusting Disc Spring Collar Set Screw (2)
544325	* * * * *	Hook Driving Shaft Ball Bearing Collar Set Screw
544329	* * * * *	Hook Driving Gear Position Screw (2)
544329	* * * * *	Hook Driving Shaft Ball Bearing Collar Position Screw
544331	- - * * *	Safty Clutch Over Load Pulley Adjusting Screw (3)
544338	* * * * *	Feed Driving Flange Friction Plate Screw (2)
544350	* * * * *	Hook Driving Shaft Ball Bearing Retaining Washer Screw (3)
544350	* * * * *	Feed Driving Eccentric Connection Friction Washer Screw (3)
544350	* * * * *	Feed Driving Flange Set Screw
544410	* * * * *	Feed Driving Flange Position Screw
549247	* * * * *	Feed Driving Eccentric Friction Plate Screw Set Screw (2)



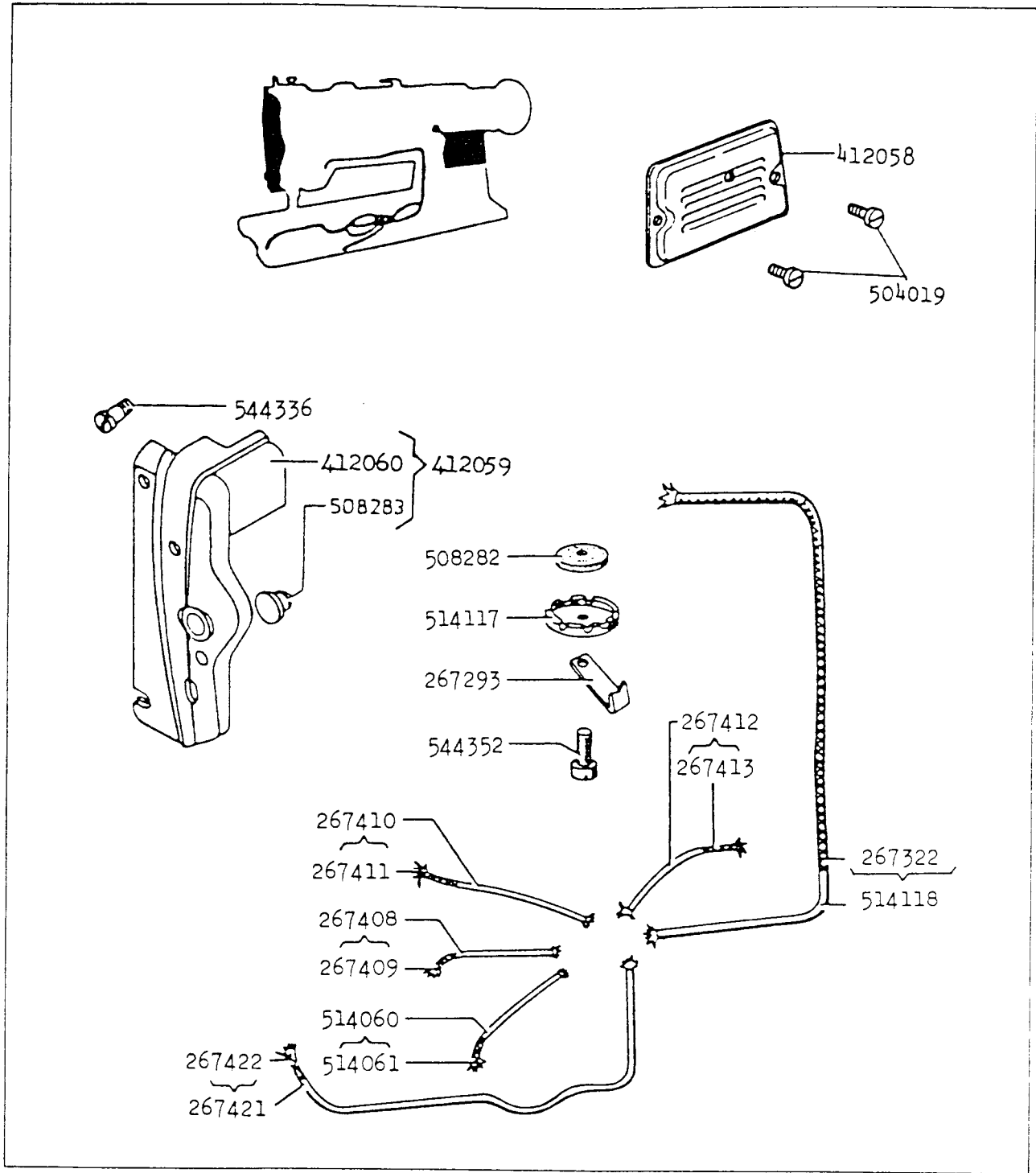
No.	212U141A	541A	539A	211U166A	566A	567A	Description
240067	*	*	*	*	*	*	Knee Lifter Connection Lever
240564	*	*	*	*	*	*	Knee Lifter Connection Lever Lifting Rod
241352-002	-	-	*	*	*	*	Presser Bar Bushing (lower)
267251	*	*	*	*	*	*	Presser Bar Spring (flat)
267289	*	*	*	*	*	*	Knee Lifter Lifting Lever Return Spring
411120	*	*	*	*	*	*	Knee Lifter Connection Lever Lifting Rod Stop Collar with 545205-452
412042	-	-	*	*	*	*	Presser Bar Spring Bracket with 545295
412087	-	-	*	*	*	*	Knee Lifter Lifting Lever complete 412088, 504091-810, 514048
412088	-	-	*	*	*	*	Knee Lifter Lifting Lever
412102	*	*	*	*	*	*	Presser Bar with 500256
412227	-	-	*	*	*	*	Presser Bar Bushing (upper)
500256	*	*	*	*	*	*	Lifting Presser Foot Screw
504091-810	-	-	*	*	*	*	Tension Release Actuating Spring Screw
508309	-	-	*	*	*	*	Presser Bar Lifter
514048	-	-	*	*	*	*	Tension Release Actuating Spring
544341	*	*	*	*	*	*	Knee Lifter Connection Lever Hinge Screw
544345	*	*	*	*	*	*	Presser Bar Lifter Hinge Screw
544357	*	*	*	*	*	*	Presser Bar Spring Regulating Screw
544362	*	*	*	*	*	*	Knee Lifter Lifting Lever Pinch Screw
544384	*	*	*	*	*	*	Presser Bar Spring Support Screw
545205-452	*	*	*	*	*	*	Knee Lifter Connection Lever Lifting Rod Stop Collar Set Screw
545295	*	*	*	*	*	*	Presser Bar Spring Bracket Pinch Screw
545370	*	*	*	*	*	*	Presser Bar Bushing (lower) Set Screw



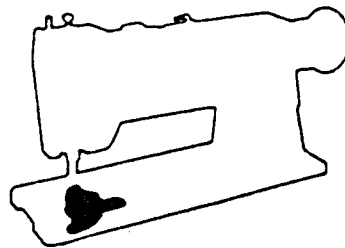
No.	2120141A	541A	539A	2110166A	560A	567A	Description
86	-	-	*	*	*	*	Tension Release Bell Crank Hinge Screw
223703	*	*	*	*	*	*	Tension Release Lever
223704	*	*	*	*	*	*	Tension Release Plunger (2)
236060	*	*	*	*	*	*	Tension Disc Position Pin (2)
240245	-	-	*	*	*	*	Thread Lubricating Reservoir Oil Tube Clamp
241765	-	-	*	*	*	*	Thread Lubricator Oil Pad (felt)
263554	-	-	*	*	*	*	Thread Lubricator Oil Pad Holder
267265	*	*	*	*	*	*	Tension Release Lever Rod
267288	*	*	*	-	-	-	Thread Retainer
267316	*	*	*	*	*	*	Thread Guide
267368	*	*	*	*	*	*	Thread Controller Spring
412044	-	-	*	*	*	*	Thread Lubricator Oil Pad Holder complete 241765, 263554, 412045, 544337 (2)
412045	-	-	*	*	*	*	Thread Lubricator Plate
412046	-	-	*	*	*	*	Tension Release Bracket
412091	*	*	*	*	*	*	Tension Stud (2)
412100	-	-	*	*	*	*	Tension Release Bracket complete 86, 412046, 508277
412103	*	*	*	*	*	*	Thread Controller Stud
412190	*	*	*	-	-	-	Tension Bracket with 236060 (2), 412091 (2)
412197	*	*	*	-	-	-	Tension Bracket complete 223703, 223704 (2), 267368, 412103, 412190, 412200, 412201, 412202, 412203 (4), 412204 (2), 540682 (2), 541187 (3), 544343 (2), 544354
412200	*	*	*	*	*	*	Tension Release Lever Spring
412201	*	*	*	*	*	*	Thread Controller Spring Stop
412202	*	*	*	*	*	*	Thread Controller Disc
412203	*	*	*	*	*	*	Tension Disc (4)
412204	*	*	*	*	*	*	Tension Release Washer (2)
412222	-	-	*	*	*	*	Thread Lubricating Reservoir Clamping Spring
508277	-	-	*	*	*	*	Tension Release Bell Crank
514063	-	-	*	*	*	*	Thread Lubricating Reservoir
514071	-	-	*	*	*	*	Thread Lubricating Reservoir Oil Tube
514072	-	-	*	*	*	*	Thread Lubricating Reservoir Stud
514073	-	-	*	*	*	*	Thread Lubricating Regulator Spring
540682	*	*	*	-	-	-	Tension Spring (2)
541187	*	*	*	*	*	*	Tension Thumb Nut (3)
544211-052	-	-	*	*	*	*	Thread Lubricating Regulator Spring Set Screw (2)
544337	-	-	*	*	*	*	Thread Lubricator Oil Pad Holder Screw (2)
544343	*	*	*	*	*	*	Tension Release Lever Hinge Screw (2)
544347	-	-	*	*	*	*	Thread Lubricator Plate Screw (2)
544347	*	*	*	*	*	*	Thread Guide Screw
544352	*	*	*	*	*	*	Bed Oil Tube Clamp Screw
544353	-	-	*	*	*	*	Thread Lubricating Reservoir Clamping Spring Screw
544354	*	*	*	*	*	*	Thread Controller Disc Screw
545007	-	-	*	*	*	*	Tension Release Bracket Screw (2)
549168	*	*	*	*	*	*	Thread Retainer Screw
549339	*	*	*	*	*	*	Tension Controller Stud Set Screw



No.							Description
	212U	41A	541A	539A	211U	566A 567A	
50429	*	*	*	*	*	*	Bobbin Winder Shaft Friction Wheel Set Screw (2)
270026	-	-	*	*	*	*	Presser Bar Lifting Regulating Stud Spring
411083	*	*	*	*	*	*	Bobbin Winder Driving Wheel with 504029
411097	*	*	*	*	*	*	Bobbin Snap Spring
411098	*	*	*	*	*	*	Bobbin Winder Shaft Friction Wheel with 504029
411108	*	*	*	*	*	*	Bobbin Winder Shaft Bushing (Ecc.) Trip Lever (Short)
411178	*	*	*	*	*	*	Bobbin Winder Bushing (Ecc.) Connection Lever
411179	*	*	*	*	*	*	Bobbin Winder Shaft Bushing (Ecc.) Bearing
412048	-	-	*	*	*	*	Arm Cover (Top)
412050	-	-	*	*	*	*	Presser Bar Lifting Regulating Stud
412051	-	-	*	*	*	*	Arm Cover (Top) Oil Pipe
412052	-	-	*	*	*	*	Arm Cover (Top) Oil Pipe complete 412051, 502603
412053	*	*	*	*	*	*	Bobbin Winder Shaft Bushing (Ecc.) complete 411098, 411178, 412054, 412055, 508553, 508554, 547412
412054	*	*	*	*	*	*	Bobbin Winder Shaft Bushing (Ecc.) with 411179
412055	*	*	*	*	*	*	Bobbin Winder Shaft with 411097
412056	*	*	*	*	*	*	Bobbin Winder Bushing (Ecc.) Rocking Lever
412144	*	*	*	*	*	*	Thread Guide (Arm Top Cover) (2)
412208	*	*	*	*	*	*	Bobbin Winder Shaft Bushing (Ecc.) Trip Lever (Long)
412224	*	*	*	*	*	*	Bobbin Winder Bushing (Ecc.) Thread Guard
412229	*	*	*	*	*	*	Bobbin Winder Tension complete 412230, 541170, 541186, 547246, 547247
412230	*	*	*	*	*	*	Bobbin Winder Tension Stud with 547245-900
412232	-	-	*	*	*	*	Arm Cover (Top) Oil Pipe
412240	*	*	*	*	*	*	Bobbin Winder Shaft Bushing (Ecc.) Trip Lever complete 411108, 412208, 543805-008, 544211-051
412483	-	-	*	-	-	-	Arm Cover (Top) complete 270026, 412048, 412050, 412052, 412053, 412056, 412144 (2), 412224, 412229, 412232, 412240, 500280, 502832, 508555, 508557, 541186 (2), 543801-006, 543831-001, 543832-001, 544281
500280	*	*	*	*	*	*	Bobbin Winder Shaft Bushing (Ecc.) Trip Lever Cap Screw
502603	-	-	*	*	*	*	Arm Cover (Top) Oil Pipe Wick
502832	*	*	*	*	*	*	Arm Cover (Top) Plug
504029	*	*	*	*	*	*	Bobbin Winder Driving Wheel Set Screw (2)
508553	*	*	*	*	*	*	Bobbin Winder Bushing (Ecc.) Spring Shackle
508554	*	*	*	*	*	*	Bobbin Winder Bushing (Ecc.) Link Stud
508555	*	*	*	*	*	*	Bobbin Winder Bushing (Ecc.) Snap Ring
508557	*	*	*	*	*	*	Bobbin Winder Bushing (Ecc.) Spring
541170	*	*	*	*	*	*	Bobbin Winder Tension Nut
541186	*	*	*	*	*	*	Thread Guide (Arm Top Cover) Lock Nut (2)
541186	*	*	*	*	*	*	Bobbin Winder Tension Lock Nut
543801-006	-	-	*	*	*	*	Presser Bar Lifting Regulating Stud Retaining Washer
543805-008	*	*	*	*	*	*	Bobbin Winder Shaft Bushing (Ecc.) Trip Lever Screw Washer
543831-001	*	*	*	*	*	*	Bobbin Winder Bushing (Ecc.) Rocking Lever Stop Pin
543832-001	*	*	*	*	*	*	Bobbin Winder Shaft Bushing (Ecc.) Coil Spring Stud
544211-051	*	*	*	*	*	*	Bobbin Winder Shaft Bushing (Ecc.) Trip Lever Screw
544281	*	*	*	*	*	*	Bobbin Winder Shaft Bushing (Ecc.) Thread Guard Screw (2)
544336	*	*	*	*	*	*	Arm Cover (Top) Screw (6)
547246	*	*	*	*	*	*	Bobbin Winder Tension Spring
547247	*	*	*	*	*	*	Bobbin Winder Tension Disc (2)
547412	*	*	*	*	*	*	Bobbin Winder Shaft Bushing (Ecc.) Link Lock Washer (2)

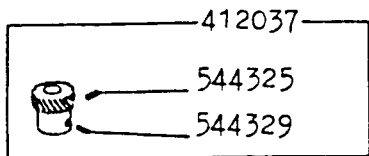


No.	212U141A 541A 539A 211U166A 566A 567A	Description
267293	* * * * *	Feed Driving Eccentric Connection Oil Tube Support
267322	* * * * *	Bed Oil Supply Tube Oil Wick
267408	* * * - - -	Hook Saddle Bearing (right) Oil Tube with 267409
267409	* * * - - -	Hook Saddle Bearing (right) Oil Tube Wick
267410	* * * - - -	Feed Driving Rock Shaft Bushing (left) Oil Tube with 267411
267411	* * * * * *	Feed Driving Rock Shaft Bushing (left) Oil Tube Wick
267412	* * * - - -	Feed Driving Rock Shaft Bushing (right) Oil Tube with 267413
267413	* * * - - -	Feed Driving Rock Shaft Bushing (right) Oil Tube Wick
267421	* * * - - -	Hook Saddle Bearing (left) Oil Tube with 267422
267422	* * * - - -	Hook Saddle Bearing (left) Oil Tube Wick
412058	* * * * * *	Arm Cover (side)
412059	- - * * * *	Face Plate complete 412060, 508283
412060	- - * * * *	Face Plate Body
504019	* * * * * *	Arm Cover (side) Screw (2)
508282	* * * * * *	Bed Oil Tube Clamp Oiling Felt
508283	* * * * * *	Face Plate Plug
514060	* * * - - -	Feed Driving Eccentric Connection Oil Tube with 514061
514061	* * * - - -	Feed Driving Eccentric Connection Oil Tube Wick
514117	* * * * * *	Bed Oil Tube Clamp
514118	* * * - - -	Bed Oil Supply Tube with 267322
544336	* * * * * *	Face Plate Screw (2)
544352	* * * * * *	Bed Oil Tube Clamp Screw

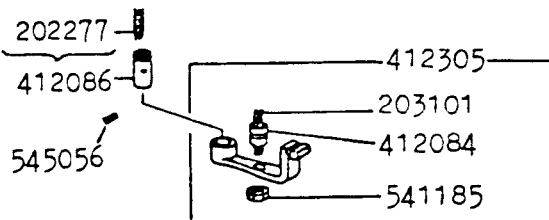



- 510007 
- 225585 
- 544334 

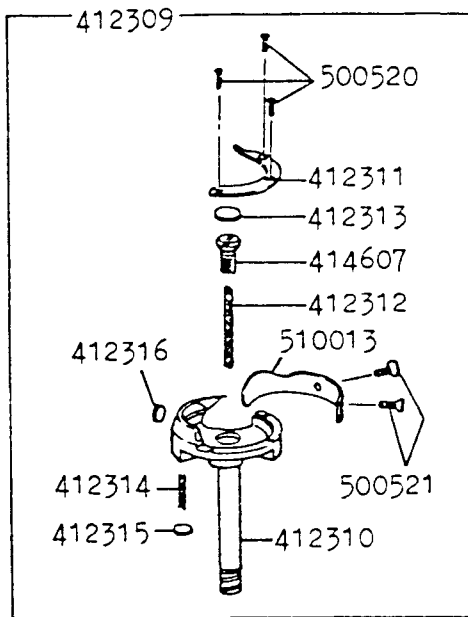
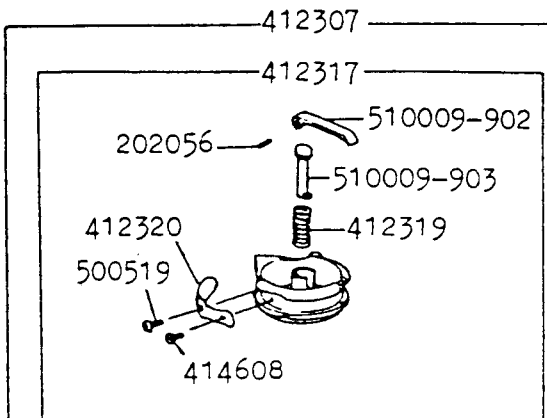
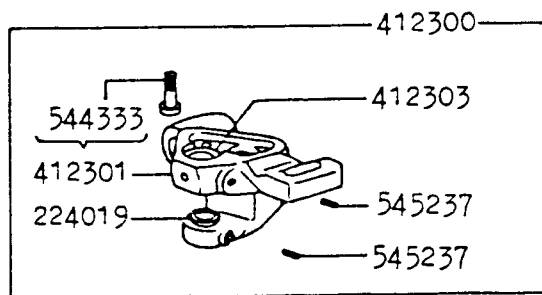
412299



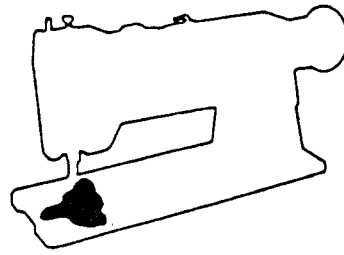
- 224022 
- 549027 
- 412304 



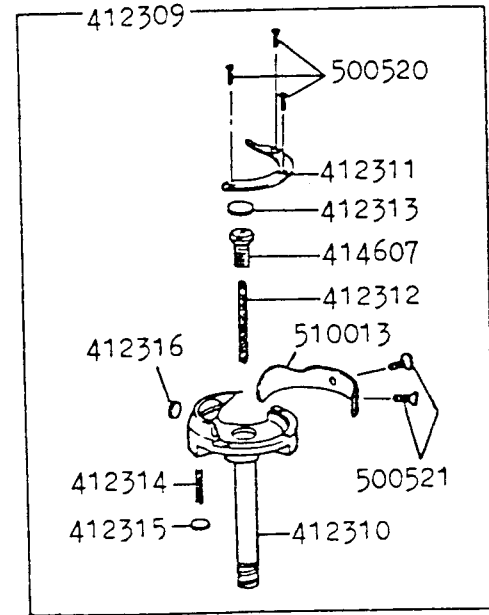
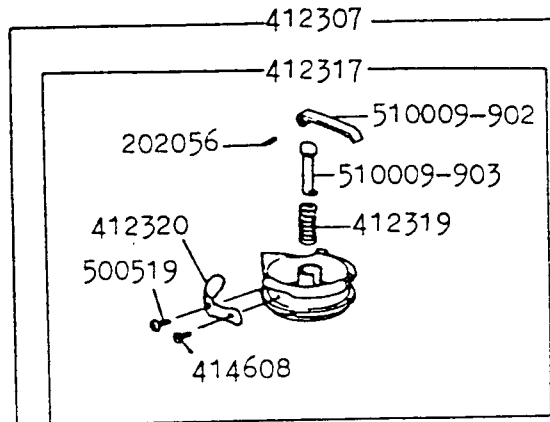
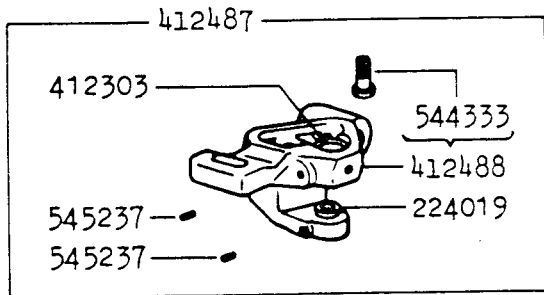
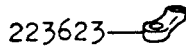
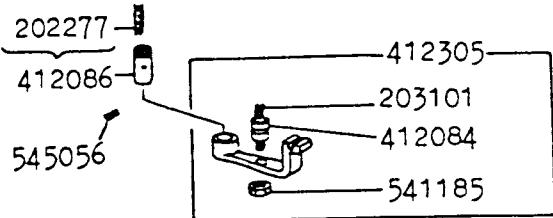
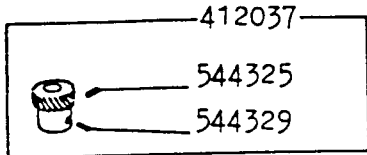
- 223623 



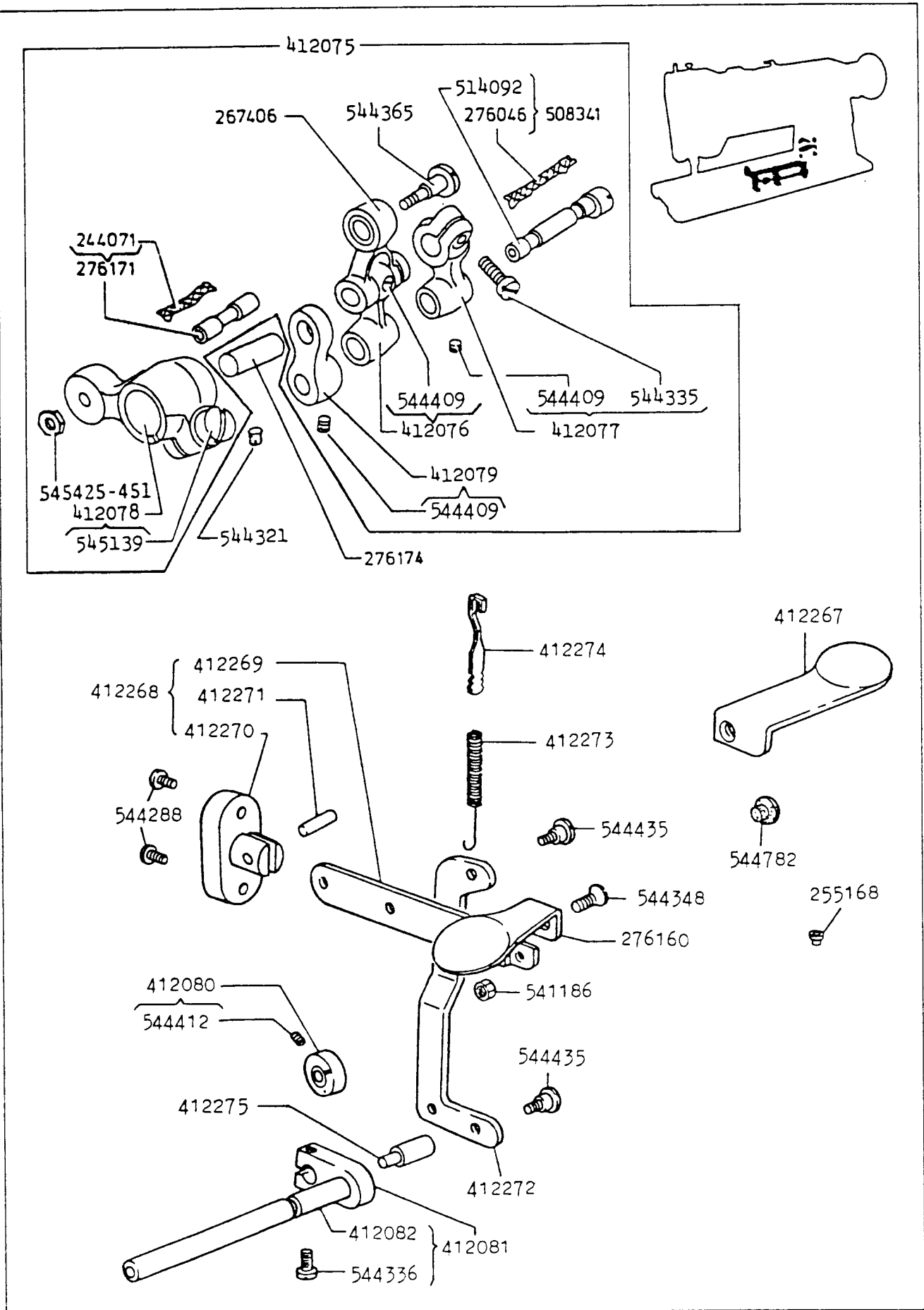
No.	212U141A 541A 539A 211U166A 566A 567A	Description
202056	* * * * *	Bobbin Case Latch Pin
202277	- - * * - *	Bobbin Case Opener Lever Hinge Stud Oil Packing Wick
203101	- - * * - *	Bobbin Case Opener Lever Driving Screw Stud Oil Packing Wick
223623	- - * * - *	Bobbin Case Opener Lever Link
224019	- - * * - *	Hook Bushing (lower)
224022	- - * * - *	Hook Driving Pinion Thrust Washer
225585	* * * * *	Hook Saddle Screw Washer
412037	- - * * - *	Hook Driving Pinion with 544325, 544329
412084	- - * * - *	Bobbin Case Opener Lever Driving Screw Stud
412086	- - * * - *	Bobbin Case Opener Lever Hinge Stud
412299	- - * - - *	Hook Saddle and Hook complete 223623, 224022, 412037 412086, 412300, 412304, 412305, 412307, 545056, 549027
412300	- - * - - *	Hook Saddle complete 224019, 412301, 412303, 545237 (2)
412301	- - * - - *	Hook Saddle with 544333
412303	- - * - - *	Hook Bushing (upper)
412304	- - * - - *	Bobbin Case Opener
412305	- - * - - *	Bobbin Case Opener Lever with 203101, 412084, 541185
412307	- - * - - *	Hook and Bobbin Case complete 412309, 412307
412309	- - * - - *	Hook complete 412310, 412311, 412312, 412313, 412314, 412315, 412316, 414607, 500520, 500521, 510013
412310	- - * - - *	Hook Body
412311	- - * - - *	Hook Gib
412312	- - * - - *	Hook Shaft Oil Wick
412313	- - * - - *	Hook Shaft Oil Cap
412314	- - * - - *	Hook Oil Wick
412315	- - * - - *	Hook Oil Wick Cap
412316	- - * - - *	Hook Oil Hole Cap
412317	- - * - - *	Bobbin Case with 202056, 412319, 412320, 414608, 500519, 510009-902, 510009-903
412319	- - * - - *	Bobbin Case Latch Spring
412320	- - * - - *	Bobbin Case Tension Spring
414607	- - * - - *	Hook Shaft Oil Wick Holder
414608	- - * - - *	Bobbin Case Tension Spring Screw
500519	- * * - * *	Bobbin Case Tension Spring Regulating Screw
500520	- * * - * *	Hook Gib Screw (3)
500521	- * * - * *	Hook Needle Guard Screw (2)
510007	- * * - * *	Bobbin
510009-902	- * * - * *	Bobbin Case Latch
510009-903	- * * - * *	Bobbin Case Latch Plunger
510013	- * * - * *	Hook Needle Guard
541185	- - * * - *	Bobbin Case Opener Lever Driving Screw Stud Nut
544325	- - * * - *	Hook Driving Pinion Set Screw
544329	- - * * - *	Hook Driving Pinion Position Screw
544333	- - * * - *	Hook Saddle Pinch Screw
544334	* * * * *	Hook Saddle Screw
545056	- - * * - *	Bobbin Case Opener Lever Hinge Stud Set Screw
545237	- - * * - *	Hook Bushing (lower) Set Screw
545237	- - * * - *	Hook Bushing (upper) Set Screw
549027	* * * * *	Bobbin Case Opener Screw



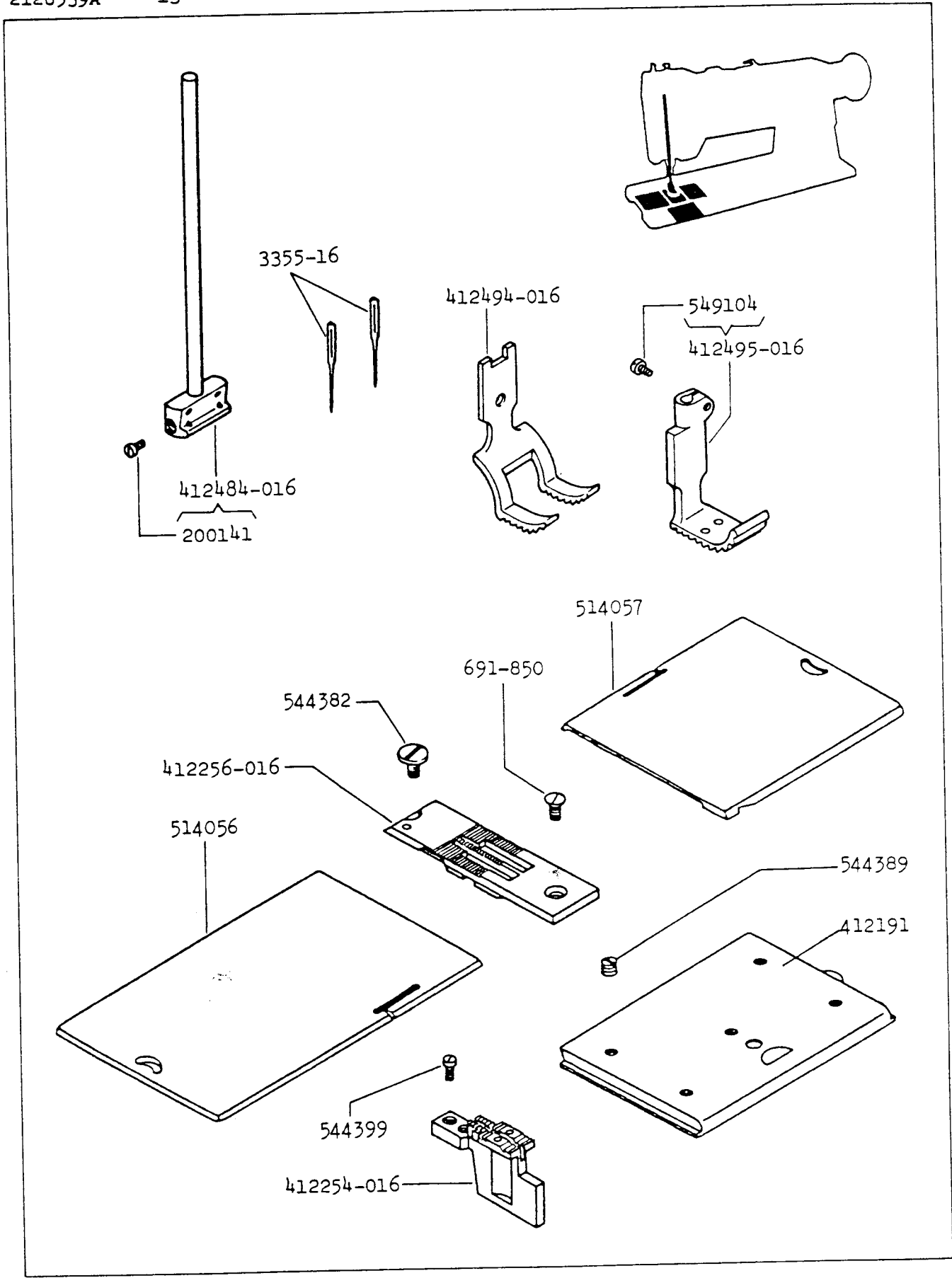
412486



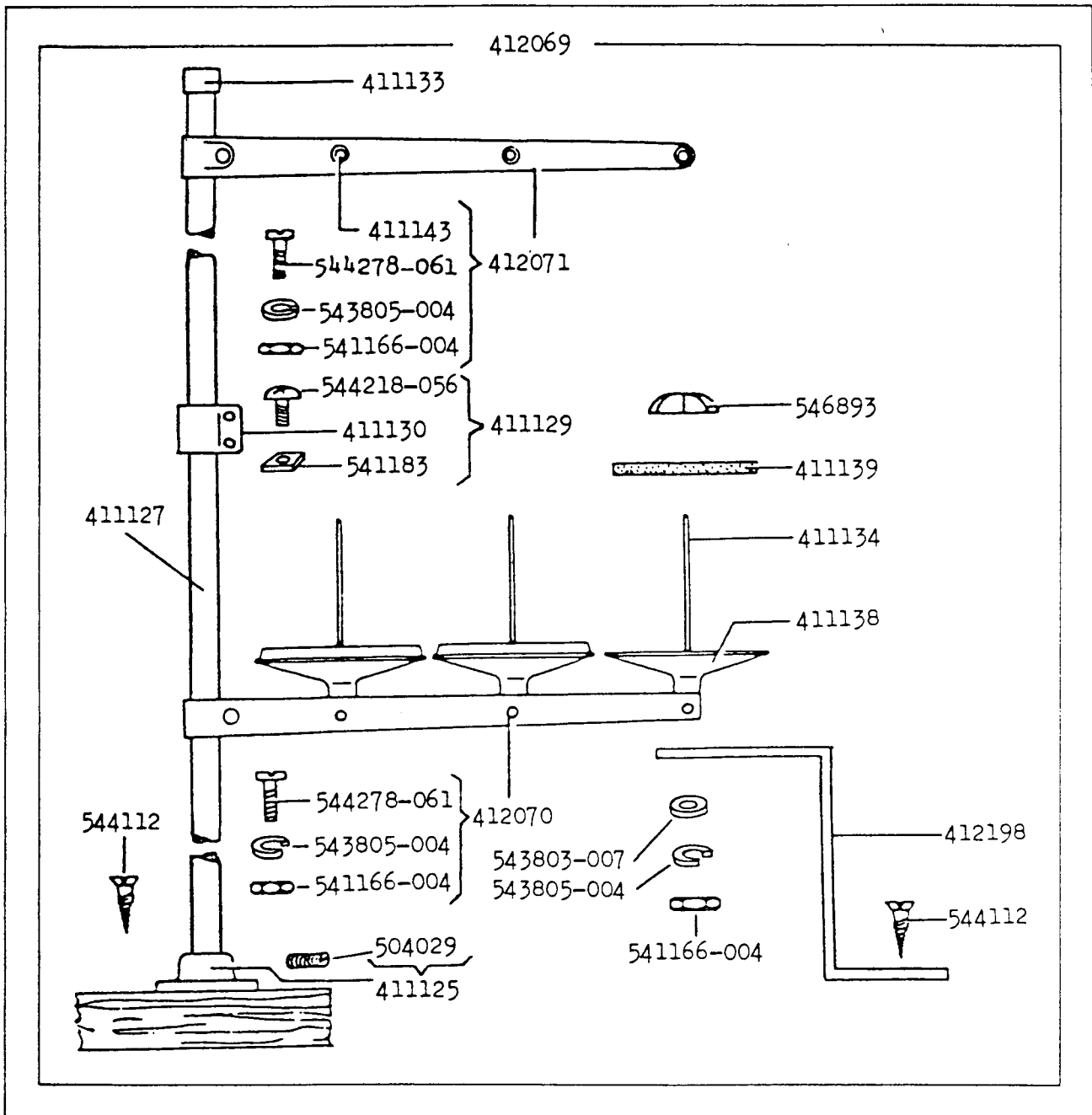
No.							Description
	212U141A	541A	539A	211U166A	566A	567A	
202056	*	*	*	*	*	*	Bobbin Case Latch Pin
202277	-	-	*	*	-	*	Bobbin Case Opener Lever Hinge Stud Oil Packing Wick
203101	-	-	*	*	-	*	Bobbin Case Opener Lever Driving Screw Stud Oil Packing Wick
223623	-	-	*	*	-	*	Bobbin Case Opener Lever Link
224019	-	-	*	*	-	*	Hook Bushing (lower)
224022	-	-	*	*	-	*	Hook Driving Pinion Thrust Washer
225585	*	*	*	*	*	*	Hook Saddle Screw Washer
412037	-	-	*	*	-	*	Hook Driving Pinion with 544325, 544329
412084	-	-	*	*	-	*	Bobbin Case Opener Lever Driving Screw Stud
412086	-	-	*	*	-	*	Bobbin Case Opener Lever Hinge Stud
412303	-	-	*	*	-	*	Hook Bushing (upper)
412304	-	-	*	*	-	*	Bobbin Case Opener
412305	-	-	*	*	-	*	Bobbin Case Opener Lever with 203101, 412084, 541185
412307	-	-	*	*	-	*	Hook and Bobbin Case complete 412309, 412307
412309	-	-	*	*	-	*	Hook complete 412310, 412311, 412312, 412313, 412314, 412315, 412316, 414607, 500520, 500521, 510013
412310	-	-	*	*	-	*	Hook Body
412311	-	-	*	*	-	*	Hook Gib
412312	-	-	*	*	-	*	Hook Shaft Oil Wick
412313	-	-	*	*	-	*	Hook Shaft Oil Cap
412314	-	-	*	*	-	*	Hook Oil Wick
412315	-	-	*	*	-	*	Hook Oil Wick Cap
412316	-	-	*	*	-	*	Hook Oil Hole Cap
412317	-	-	*	*	-	*	Bobbin Case with 202056, 412319, 412320, 414608, 500519 510009-902, 510009-903
412319	-	-	*	*	-	*	Bobbin Case Latch Spring
412320	-	-	*	*	-	*	Bobbin Case Tension Spring
412486	-	-	*	*	-	*	Hook Saddle and Hook complete 223623, 224022, 412037 412086, 412304, 412305, 412307, 412487, 545056, 549027
412487	-	-	*	*	-	*	Hook Saddle complete 224019, 412303, 412488, 545237 (2)
412488	-	-	*	*	-	*	Hook Saddle with 544333
414607	-	-	*	*	-	*	Hook Shaft Oil Wick Holder
414608	-	-	*	*	-	*	Bobbin Case Tension Spring Screw
500519	-	*	*	*	-	*	Bobbin Case Tension Spring Regulating Screw
500520	-	*	*	*	-	*	Hook Gib Screw (3)
500521	-	*	*	*	-	*	Hook Needle Guard Screw (2)
510007	-	*	*	*	-	*	Bobbin
510009-902	-	*	*	*	-	*	Bobbin Case Latch
510009-903	-	*	*	*	-	*	Bobbin Case Latch Plunger
510013	-	*	*	*	-	*	Hook Needle Guard
541185	-	-	*	*	-	*	Bobbin Case Opener Lever Driving Screw Stud Nut
544325	-	-	*	*	-	*	Hook Driving Pinion Set Screw
544329	-	-	*	*	-	*	Hook Driving Pinion Position Screw
544333	-	-	*	*	-	*	Hook Saddle Pinch Screw
544334	*	*	*	*	*	*	Hook Saddle Screw
545056	-	-	*	*	-	*	Bobbin Case Opener Lever Hinge Stud Set Screw
545237	-	-	*	*	-	*	Hook Bushing (lower) Set Screw
545237	-	-	*	*	-	*	Hook Bushing (upper) Set Screw
549027	*	*	*	*	*	*	Bobbin Case Opener Screw



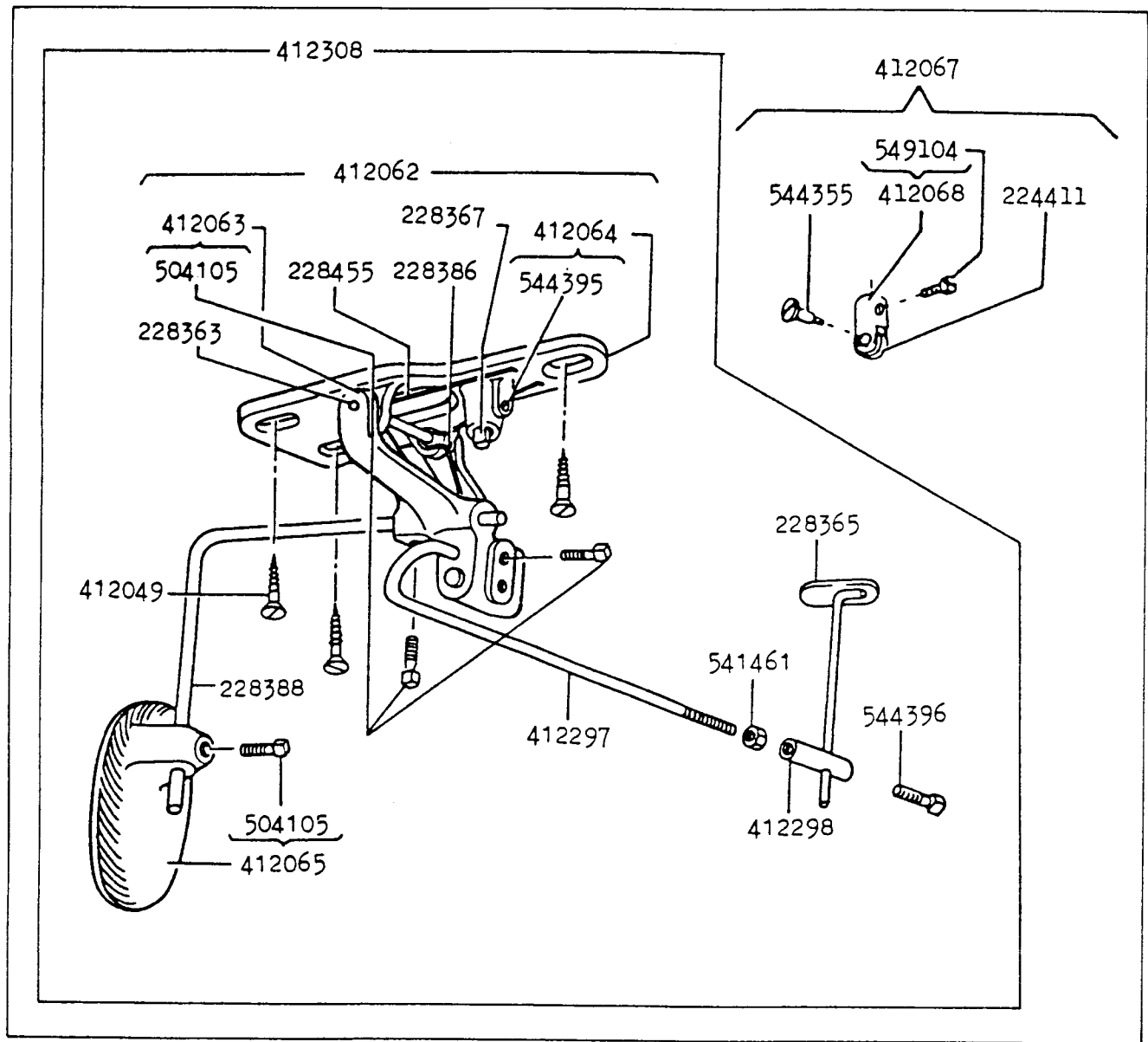
No.	212U141A 541A 539A 211U166A 566A 567A	Description
244071	* * * * - -	Feed Driving Eccentric Connection Link Hinge Pin Oil Packing (wick)
255168	* * * * - -	Bed Oil Cup (2)
267406	* * * * - -	Feed Driving Eccentric Connection Link
276046	* * * * - -	Feed Reversing Shaft Crank Hinge Stud Oil Packing (wick)
276160	* * * * - -	Feed Reversing Lever Handle
276171	* * * * - -	Feed Driving Eccentric Connection Link Hinge Pin with 244071
276174	* * * * - -	Feed Reversing Mechanism Support Link Stud
412075	* * * * - -	Reverse Feed complete 267406, 276171, 412076, 412077, 412078, 412079, 508341, 544365, 545425-451
412076	* * * * - -	Feed Reversing Shaft Crank Link with 544409
412077	* * * * - -	Feed Reversing Shaft Crank with 544335, 544409
412078	* * * * - -	Feed Driving Rock Shaft Crank with 545139
412079	* * * * - -	Feed Reversing Mechanism Support Link with 544409
412080	* * * * - -	Feed Reversing Lever Spring Collar with 544412 (2)
412081	* * * * - -	Feed Reversing Shaft complete 412082, 544336
412082	* * * * - -	Feed Reversing Shaft
412267	* * * * - -	Feed Reversing Lever Handle (optional)
412268	* * * * - -	Feed Reversing Lever complete 412269, 412270, 412271
412269	* * * * - -	Feed Reversing Lever
412270	* * * * - -	Feed Reversing Lever Bracket
412271	* * * * - -	Feed Reversing Lever Hinge Pin
412272	* * * * - -	Feed Reversing Lever Link
412273	* * * * - -	Feed Reversing Lever Spring
412274	* * * * - -	Feed Reversing Lever Spring Hook
412275	* * * - - -	Feed Reversing Shaft Driving Stud
508341	* * * * - -	Feed Reversing Shaft Crank Hinge Stud complete 276046, 514092
514092	* * * * - -	Feed Reversing Shaft Crank Hinge Stud
541186	* * * * - -	Feed Reversing Lever Handle Screw Nut
544288	* * * * - -	Feed Reversing Lever Bracket Screw (2)
544321	* * * * - -	Feed Reversing Mechanism Support Link Stud Set Screw
544335	* * * * - -	Feed Reversing Shaft Crank Pinch Screw
544336	* * * * - -	Feed Reversing Shaft Driving Stud Pinch Screw
544348	* * * * - -	Feed Reversing Lever Handle Screw
544365	* * * * - -	Feed Driving Rock Shaft Crank Hinge Screw
544409	* * * * - -	Feed Reversing Shaft Crank Hinge Stud Set Screw
544409	* * * * - -	Feed Driving Eccentric Connection Link Hinge Pin Set Screw
544409	* * * * - -	Feed Reversing Shaft Crank Hinge Stud Set Screw
544412	* * * * - -	Feed Reversing Lever Spring Collar Set Screw (2)
544435	* * * * - -	Feed Reversing Lever Hinge Screw (2)
544782	* * * * - -	Arm Cap (rear)
545139	* * * * - -	Feed Driving Rock Shaft Crank Pinch Screw
545425-451	* * * * - -	Feed Driving Rock Shaft Crank Hinge Screw Nut



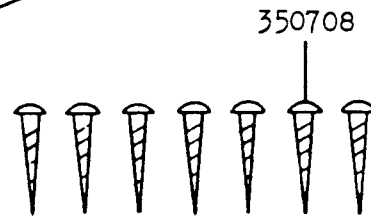
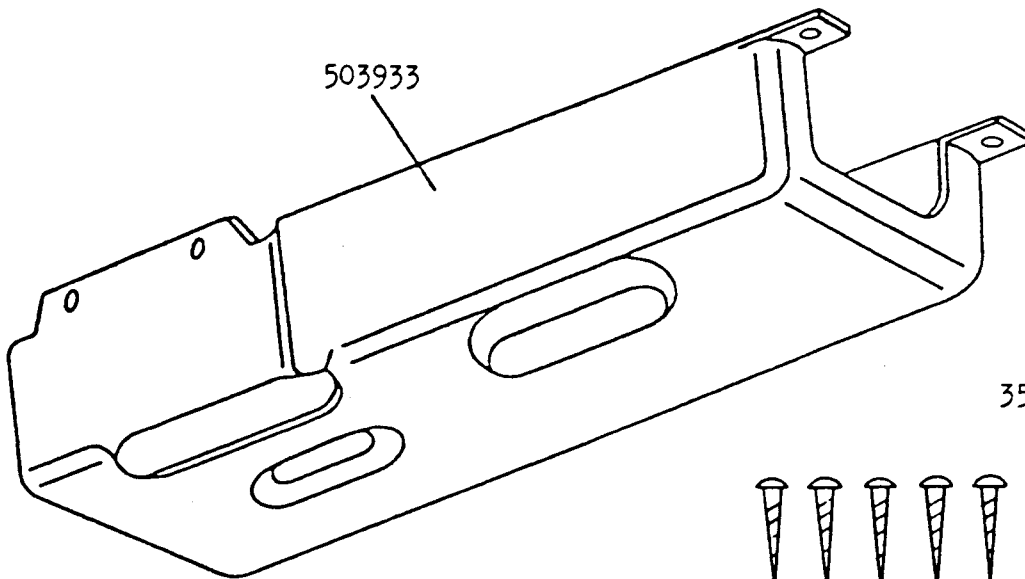
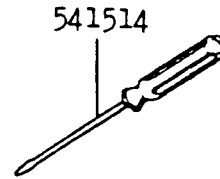
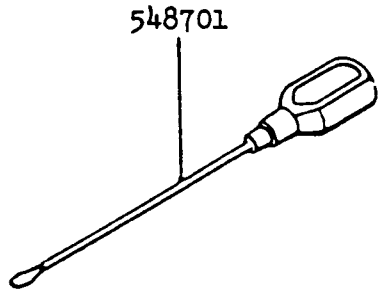
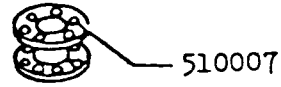
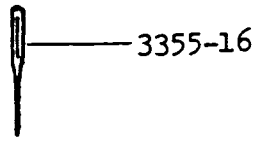
No.	212U141A	541A	539A	211U166A	566A	567A	Description
691-850	*	*	*	*	*	*	Throat Plate Screw
3355-16	-	-	*	-	-	-	Needle (2)
200141	*	*	*	-	-	-	Needle Set Screw (2)
412191	*	*	*	-	-	-	Attachment Slide Plate
412266-008	*	*	*	-	-	-	Feed Dog (1/8", 3.2 mm)
412253-012	*	*	*	-	-	-	Feed Dog (3/16", 4.8 mm)
412254-016	*	*	*	-	-	-	Feed Dog (1/4", 6.4 mm) (Standard)
412254-020	*	*	*	-	-	-	Feed Dog (5/16", 7.9 mm)
412254-024	*	*	*	-	-	-	Feed Dog (3/8", 9.5 mm)
412256-008	*	*	*	-	-	-	Throat Plate (1/8", 3.2 mm)
412256-012	*	*	*	-	-	-	Throat Plate (3/16", 4.8 mm)
412256-016	*	*	*	-	-	-	Throat Plate (1/4", 6.4 mm) (Standard)
412256-020	*	*	*	-	-	-	Throat Plate (5/16", 7.9 mm)
412256-024	*	*	*	-	-	-	Throat Plate (3/8", 9.5 mm)
412484-008	-	-	*	-	-	-	Needle Bar with 200141 (2) (1/8", 3.2 mm)
412484-012	-	-	*	-	-	-	Needle Bar with 200141 (2) (3/16", 4.8 mm)
412484-016	-	-	*	-	-	-	Needle Bar with 200141 (2) (1/4", 6.4 mm) (Standard)
412484-020	-	-	*	-	-	-	Needle Bar with 200141 (2) (5/16", 7.9 mm)
412484-024	-	-	*	-	-	-	Needle Bar with 200141 (2) (3/8", 9.5 mm)
412494-008	-	-	*	-	-	-	Lifting Presser Foot (1/8", 3.2 mm)
412494-012	-	-	*	-	-	-	Lifting Presser Foot (3/16", 4.8 mm)
412494-016	-	-	*	-	-	-	Lifting Presser Foot (1/4", 6.4 mm) (Standard)
412494-020	-	-	*	-	-	-	Lifting Presser Foot (5/16", 7.9 mm)
412494-024	-	-	*	-	-	-	Lifting Presser Foot (3/8", 9.5 mm)
412495-008	-	-	*	-	-	-	Vibrating Presser Foot with 549104 (1/8", 3.2 mm)
412495-012	-	-	*	-	-	-	Vibrating Presser Foot with 549104 (3/16", 4.8 mm)
412495-016	-	-	*	-	-	-	Vibrating Presser Foot with 549104 (1/4", 6.4 mm) (Standard)
412495-020	-	-	*	-	-	-	Vibrating Presser Foot with 541904 (5/16", 7.9 mm)
412495-024	-	-	*	-	-	-	Vibrating Presser Foot with 541904 (3/8", 9.5 mm)
514056	*	*	*	-	-	-	Bed Slide (front)
514057	*	*	*	-	-	-	Bed Slide (back)
544389	*	*	*	-	-	-	Attachment Slide Plate Lock Screw
544399	*	*	*	*	*	*	Feed Dog Screw (2)
549104	-	-	*	*	*	*	Vibrating Presser Foot Pinch Screw



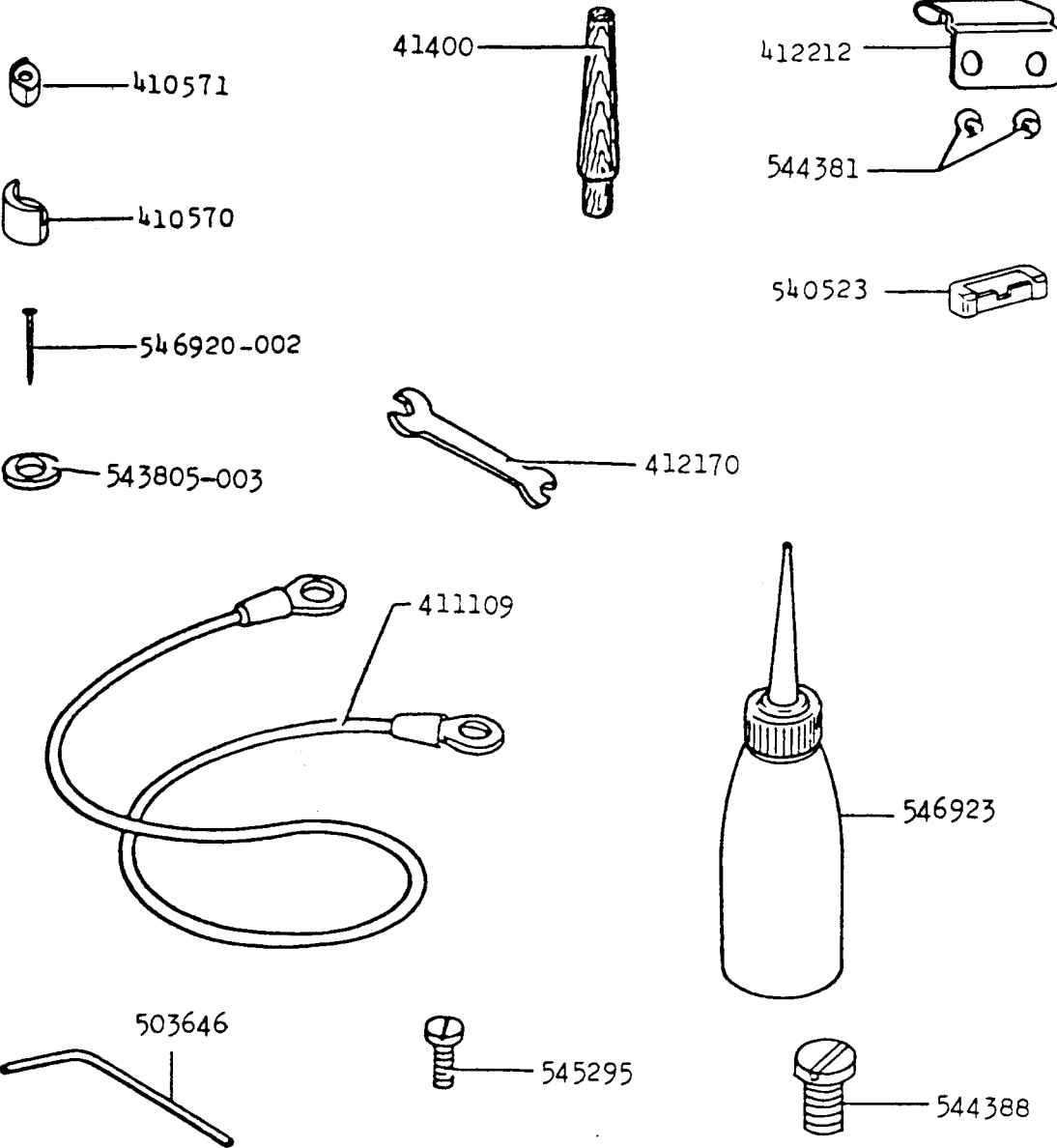
No.	212U141A 541A 539A 211U166A 566A 567A	Description
411125	* * * * *	Thread Unwinder Foot with 504029
411127	* * * * *	Thread Unwinder Rod (2)
411129	* * * * *	Thread Unwinder Rod Connection complete 411130, 541183, 544218-056
411130	* * * * *	Thread Unwinder Rod Connection (2)
411133	* * * * *	Thread Unwinder Rod Cap
411134	* * * * *	Thread Unwinder Spool (3)
411138	* * * * *	Thread Unwinder Spool Carrier Plate (3)
411139	* * * * *	Thread Unwinder Spool Cushion (3)
411143	* * * * *	Thread Unwinder Thread Guide Bushing (3)
412069	* * * * *	Thread Unwinder complete 411125, 411127, 411129, 411133, 411138, 411139, 412070, 412071, 544112, 546893
412070	* * * * *	Thread Unwinder Spool Carrier Arm with 541166-001, 543805-004, 544278-061
412071	* * * * *	Thread Unwinder Thread Guide with 411143, 541166-001, 543805-004, 544278-061
412198	* * * * *	Thread Unwinder Spool Carrier Arm Holder Plate
504029	* * * * *	Thread Unwinder Rod Set Screw (2)
541166-004	* * * * *	Thread Unwinder Spool Nut (3)
541166-004	* * * * *	Thread Unwinder Spool Carrier Arm Screw Nut
541166-004	* * * * *	Thread Unwinder Thread Guide Nut
541183	* * * * *	Thread Unwinder Rod Connection Screw Nut (2)
543803-007	* * * * *	Thread Unwinder Spool Washer (3)
543805-004	* * * * *	Thread Unwinder Spool Spring Washer (3)
543805-004	* * * * *	Thread Unwinder Spool Carrier Arm Screw Spring Washer
543805-004	* * * * *	Thread Unwinder Thread Guide Spring Washer (3)
544112	* * * * *	Thread Unwinder Wood Screw (3)
544112	* * * * *	Thread Unwinder Spool Carrier Arm Holder Plate Wood Screw
544218-056	* * * * *	Thread Unwinder Rod Connection Screw (2)
544278-061	* * * * *	Thread Unwinder Spool Carrier Arm Screw
544278-061	* * * * *	Thread Unwinder Thread Guide Screw
546893	* * * * *	Thread Unwinder Spool Holder (3)



No.	212U141A 541A 539A 211U166A 566A 567A	Description
224411	* * * * *	Knee Lifter Connection Lever Lifting Rod Roller
228363	* * * * *	Knee Lifter Rock Lever Hinge Pin
228365	* * * * *	Knee Lifter Rock Lever Rod
228367	* * * * *	Knee Lifter Rock Lever Stop Stud
228386	* * * * *	Knee Lifter Rock Lever Spring
228388	* * * * *	Knee Lifter Rock Lever Knee Plate Arm
228455	* * * * *	Knee Lifter Rock Lever Position Spring
412049	* * * * *	Wood Screw (3)
412062	* * * * *	Knee Lifter Rock Lever Bracket complete 228363, 228367, 228386, 228455, 412063, 412064
412063	* * * * *	Knee Lifter Rock Lever with 504105 (2)
412064	* * * * *	Knee Lifter Rock Lever Bracket with 544395
412065	* * * * *	Knee Lifter Rock Lever Knee Plate with 504105
412067	* * * * *	Knee Lifter Connection Lever Lifting Rod Roller complete 224411, 412068, 544355
412068	* * * * *	Knee Lifter Connection Lever Lifting Rod Roller Bracket with 549104
412296	* * * * *	Knee Lifter Rock Lever Extension complete 412297, 412298, 544396
412297	* * * * *	Knee Lifter Rock Lever Extension
412298	* * * * *	Knee Lifter Rock Lever Holder
412308	* * * * *	Knee Lifter Rock Lever complete 228365, 228388, 412049 (3), 412062, 412065, 412296
504105	* * * * *	Knee Lifter Rock Lever Extension Set Screw
504105	* * * * *	Knee Lifter Rock Lever Knee Plate Arm Set Screw
504105	* * * * *	Knee Lifter Rock Lever Knee Plate Set Screw
541461	* * * * *	Knee Lifter Rock Lever Holder Lock Nut
544355	* * * * *	Knee Lifter Connection Lever Lifting Rod Roller Hinge Screw
544395	* * * * *	Knee Lifter Rock Lever Stop Stud Set Screw
544396	* * * * *	Knee Lifter Rock Lever Rod Set Screw
549104	* * * * *	Knee Lifter Connection Lever Lifting Rod Roller Pinch Screw

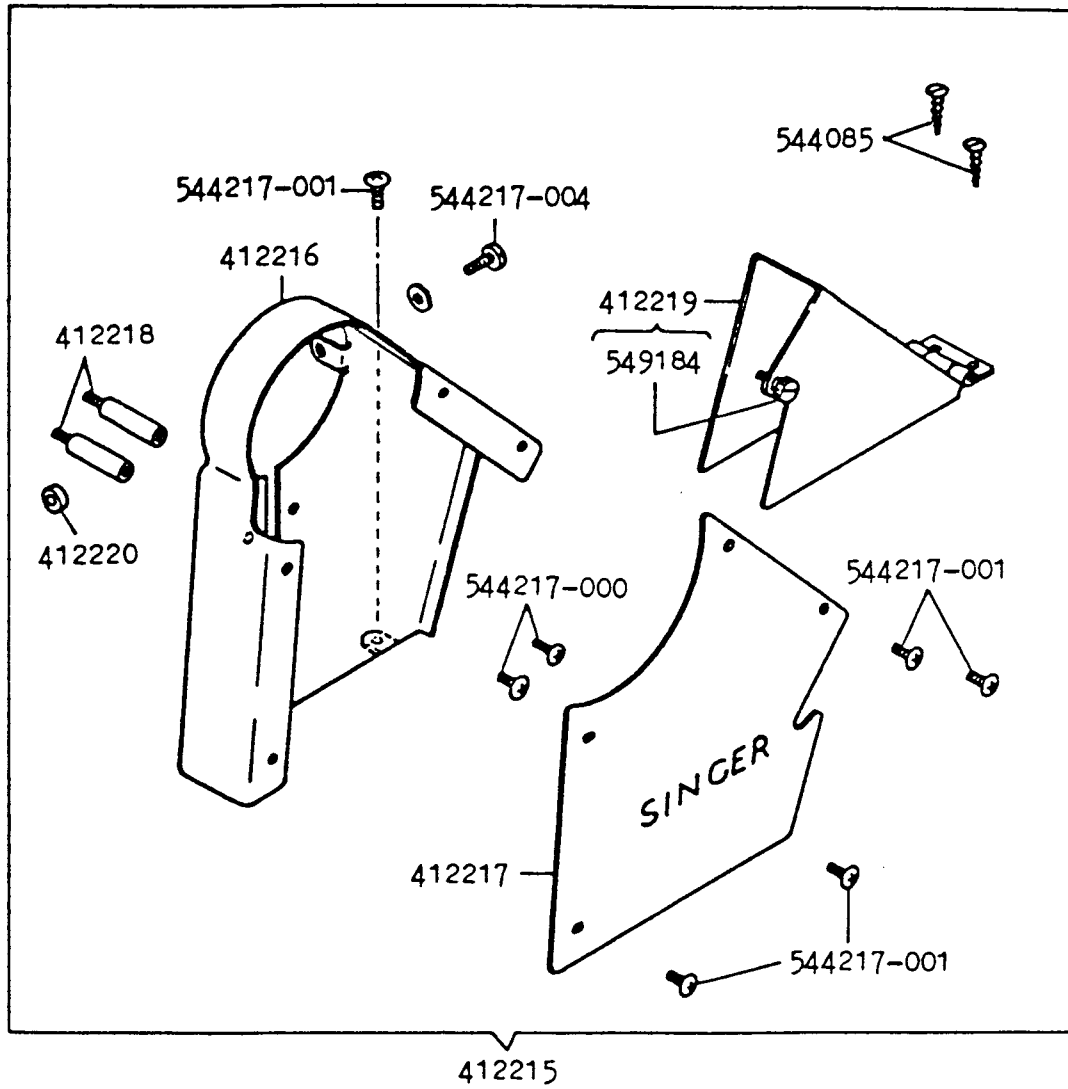


No.	212U141A 541A 539A 211U166A 566A 567A	Description
3355-16	- - *	Needle (5)
350708	* * * * *	Drip Pan Screw Nail (7)
503933	* * * * *	Drip Pan
510007	- * * - * *	Bobbin (4)
541514	* * * * *	Screw Driver (small)
548701	* * * * *	Screw Driver (long)



No.	212U	41A	541A	539A	211U	66A	566A	567A	Description
41400	*	*	*	*	*	*	*	*	Machine Rest Pin (wood)
410570	*	*	*	*	*	*	*	*	Machine Rest (front) (2)
410571	*	*	*	*	*	*	*	*	Machine Rest (back) (2)
411109	*	*	*	*	*	*	*	*	Machine Grounding Wire
412170	*	*	*	*	*	*	*	*	Wrench
412212	*	*	*	-	-	-	-	-	Machine Hinge Connection (2)
503646	*	*	*	*	*	*	*	*	Wrench (3/32 inch, Hexagon)
540523	*	*	*	*	*	*	*	*	Machine Hinge Connection Cushion (2)
543805-003	*	*	*	*	*	*	*	*	Machine Grounding Wire Lock Washer
544381	*	*	*	-	-	-	-	-	Machine Hinge Connection Screw (4)
544388	*	*	*	-	-	-	-	-	Attachment Screw (large)
545295	*	*	*	*	*	*	*	*	Attachment Screw (small)
546920-002	*	*	*	*	*	*	*	*	Nail (4)
546923	-	-	*	*	*	*	*	*	Oiler (130 cc, A type)

OPTIONAL PARTS



No.	212U141A 541A 539A 211U166A 566A 567A	Description
<u>OPTION</u>		
412215	* * * * *	Belt Guard Cpl. 412216, 412217, 412218 (2), 412219,
412216	* * * * *	412220, 544085 (2), 544217-001 (7), 544217-004
412217	* * * * *	Belt Guard
412218	* * * * *	Belt Guard Plate
412219	* * * * *	Belt Guard Screw Stud (2)
412220	* * * * *	Belt Guard (lower) with 549184
544085	* * * * *	Belt Guard Screw Collar
544217-001	* * * * *	Belt Guard (lower) Wood Screw (2)
544217-001	* * * * *	Belt Guard Screw (3)
544217-004	* * * * *	Belt Guard Plate Screw (4)
549184	* * * * *	Belt Guard Screw (long)
		Belt Guard (lower) Thumb Screw