

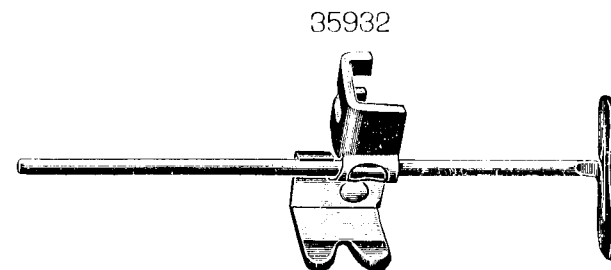
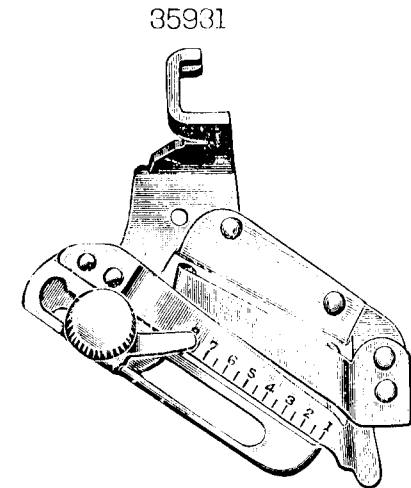
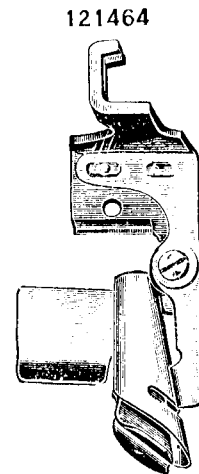
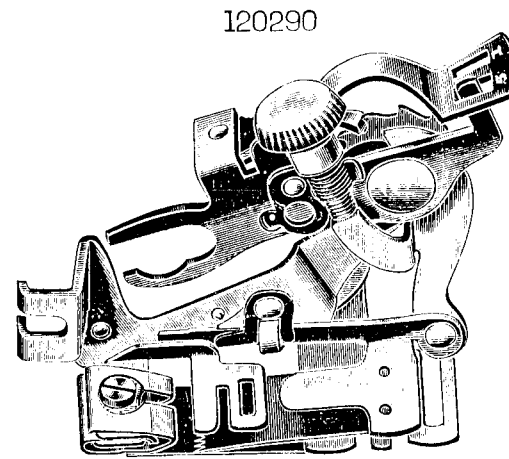
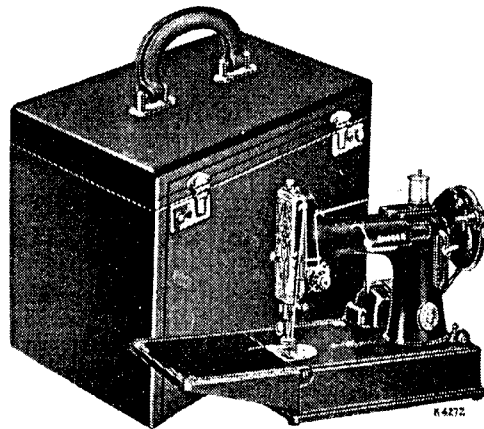
**SINGER**  
**221K1**

RECEIVED  
MAR 27 1950  
COST DEPT.

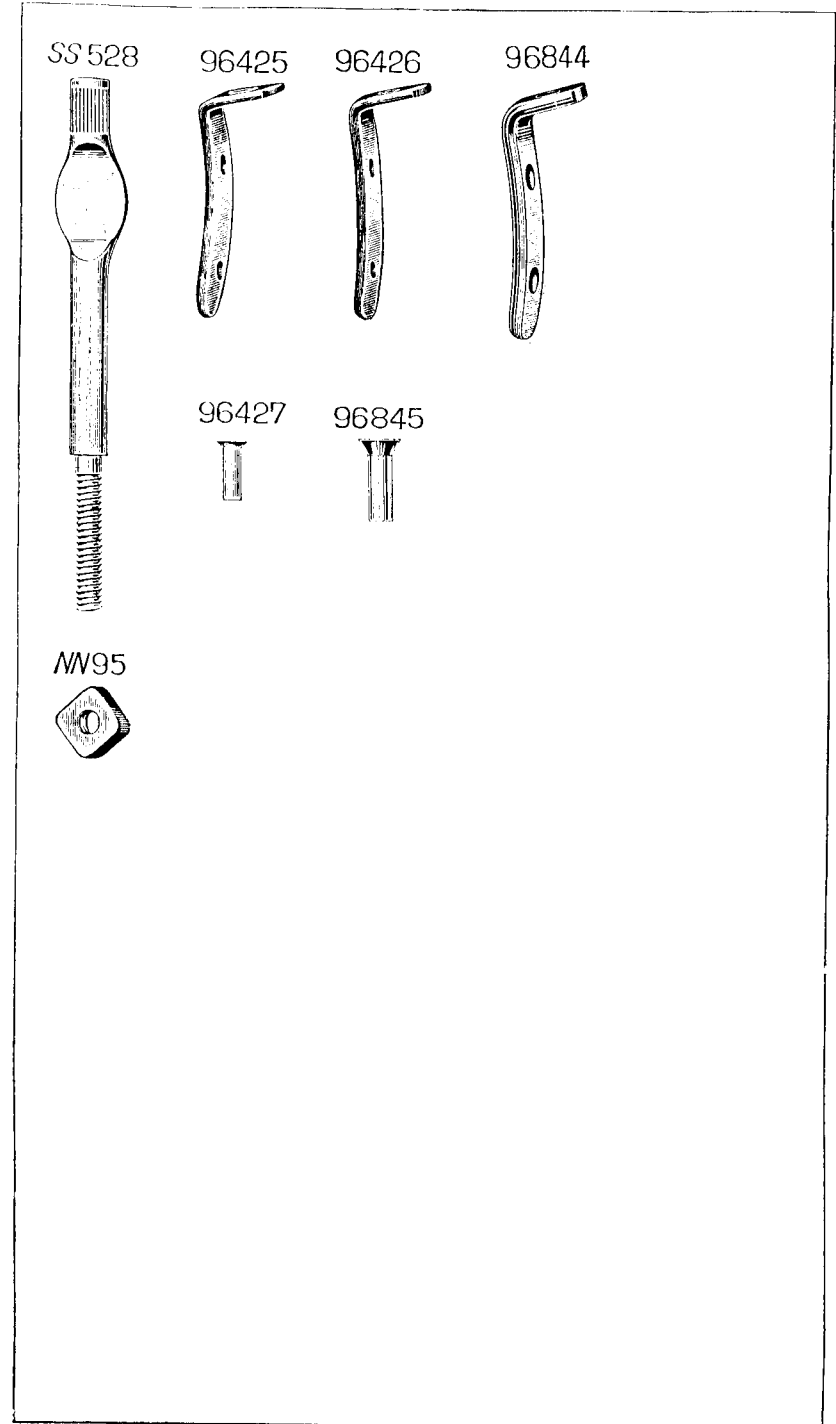
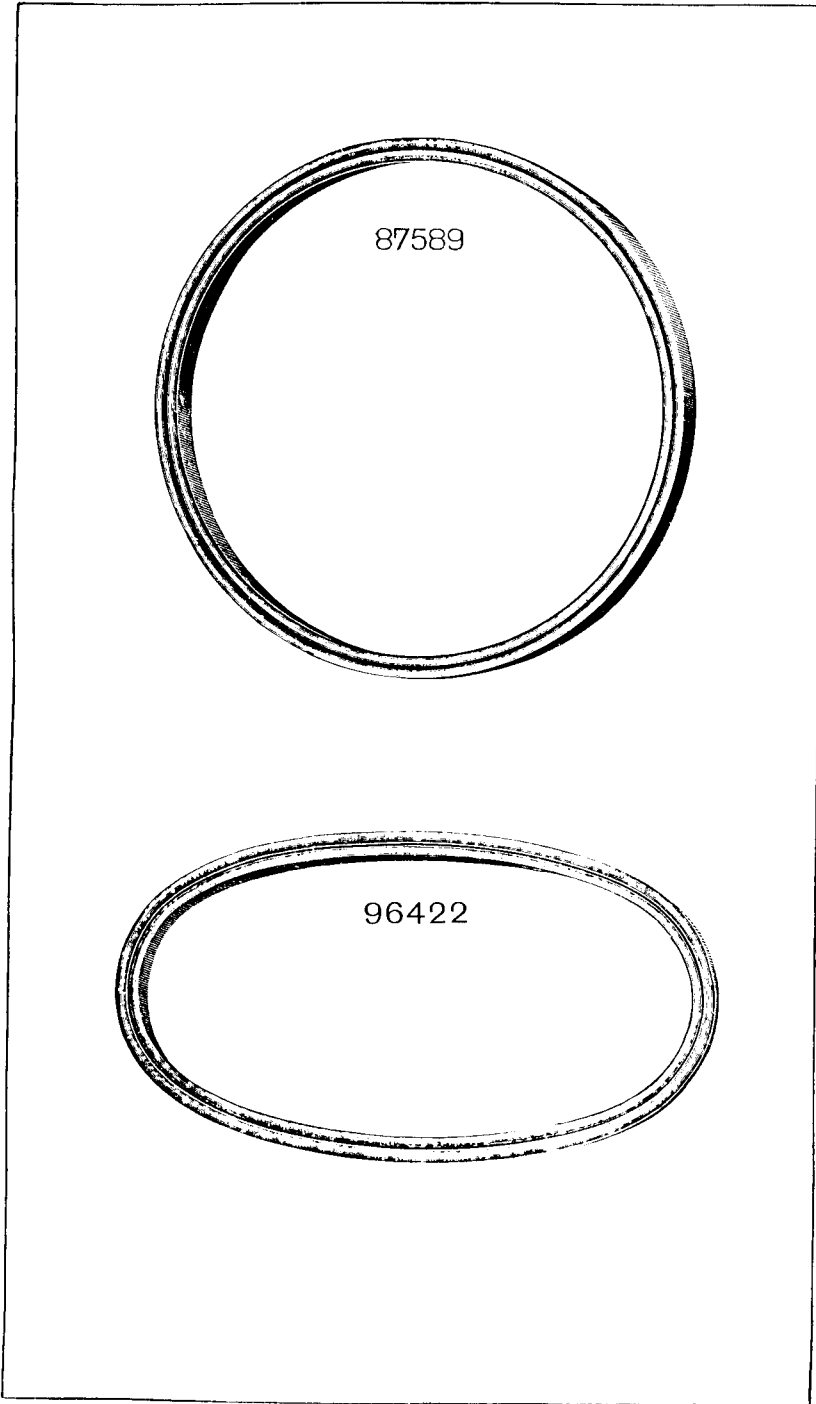
# Illustrated List of Parts

FOR

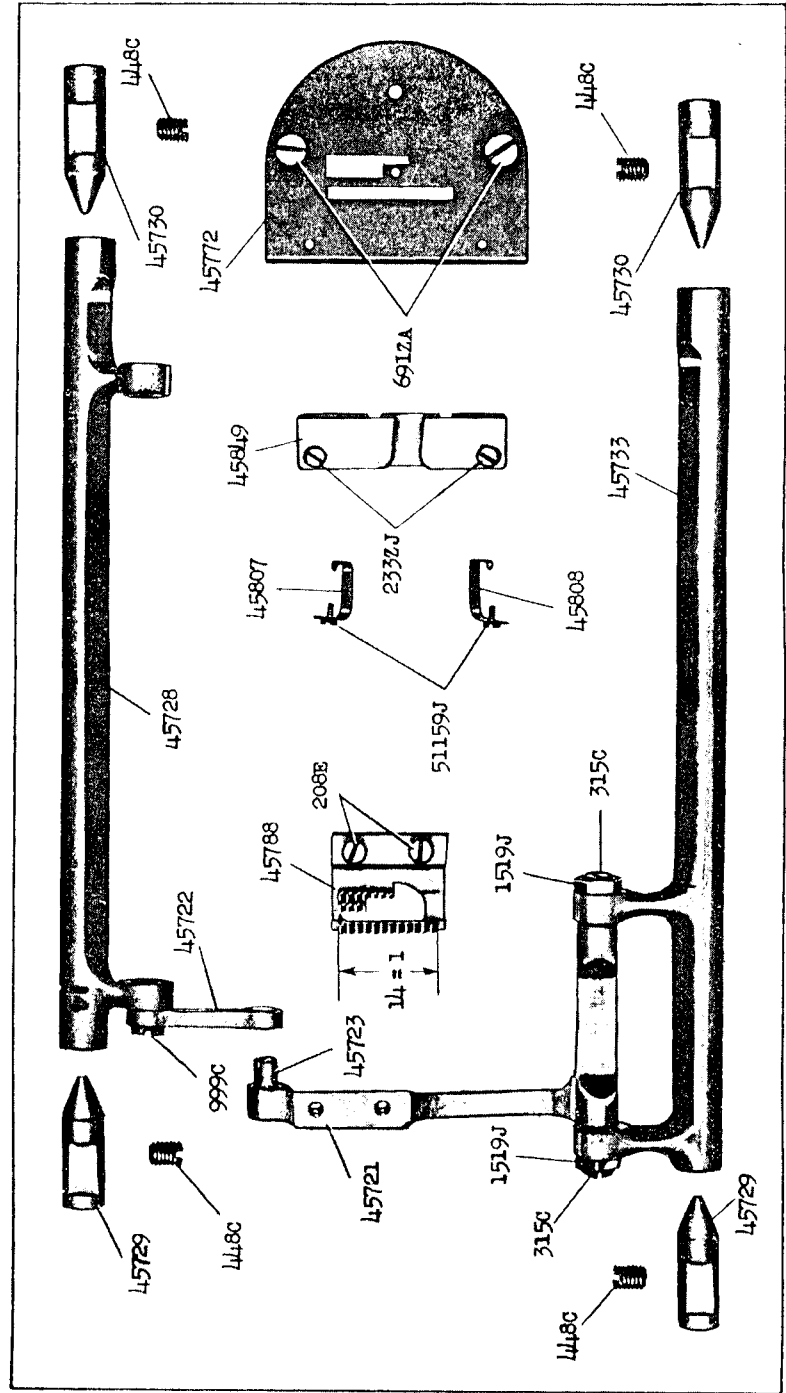
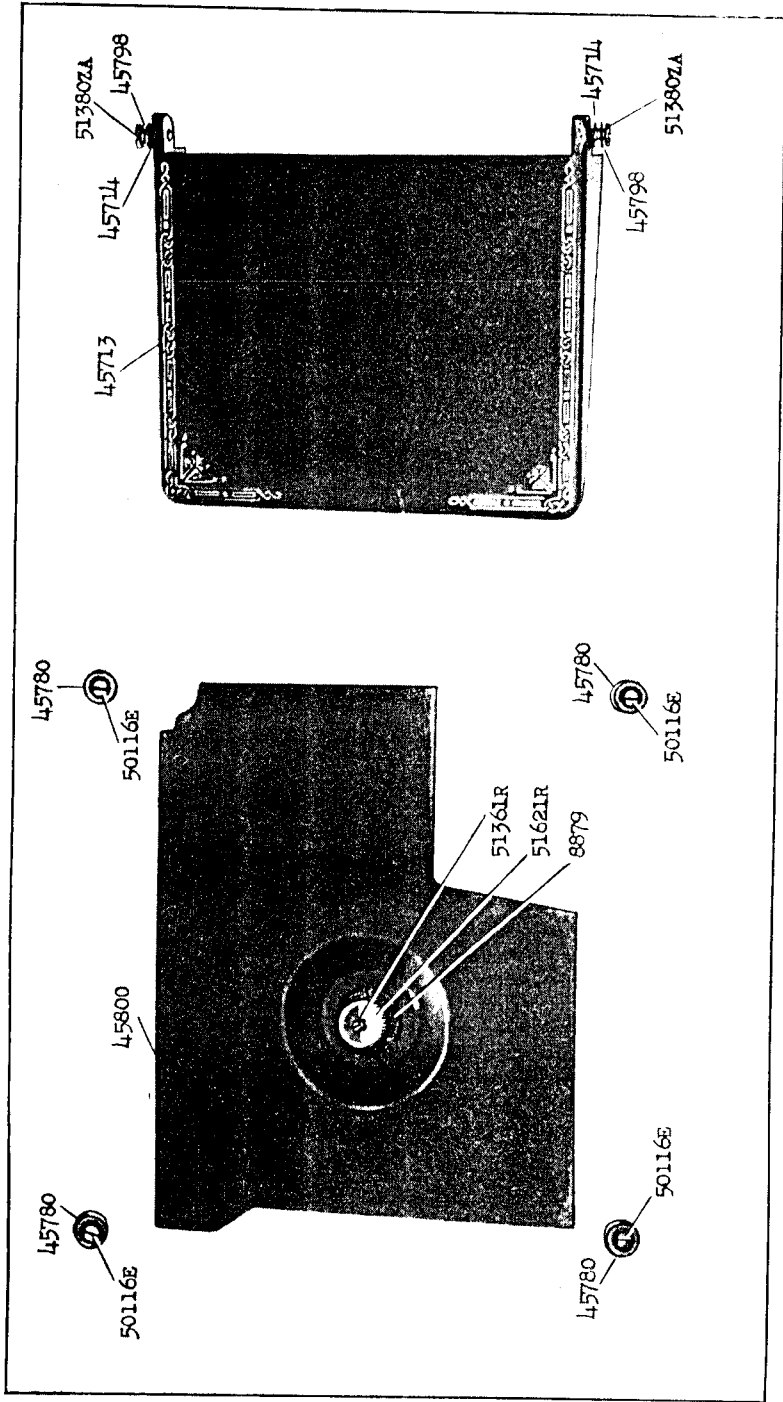
## No. 221K1 Machine

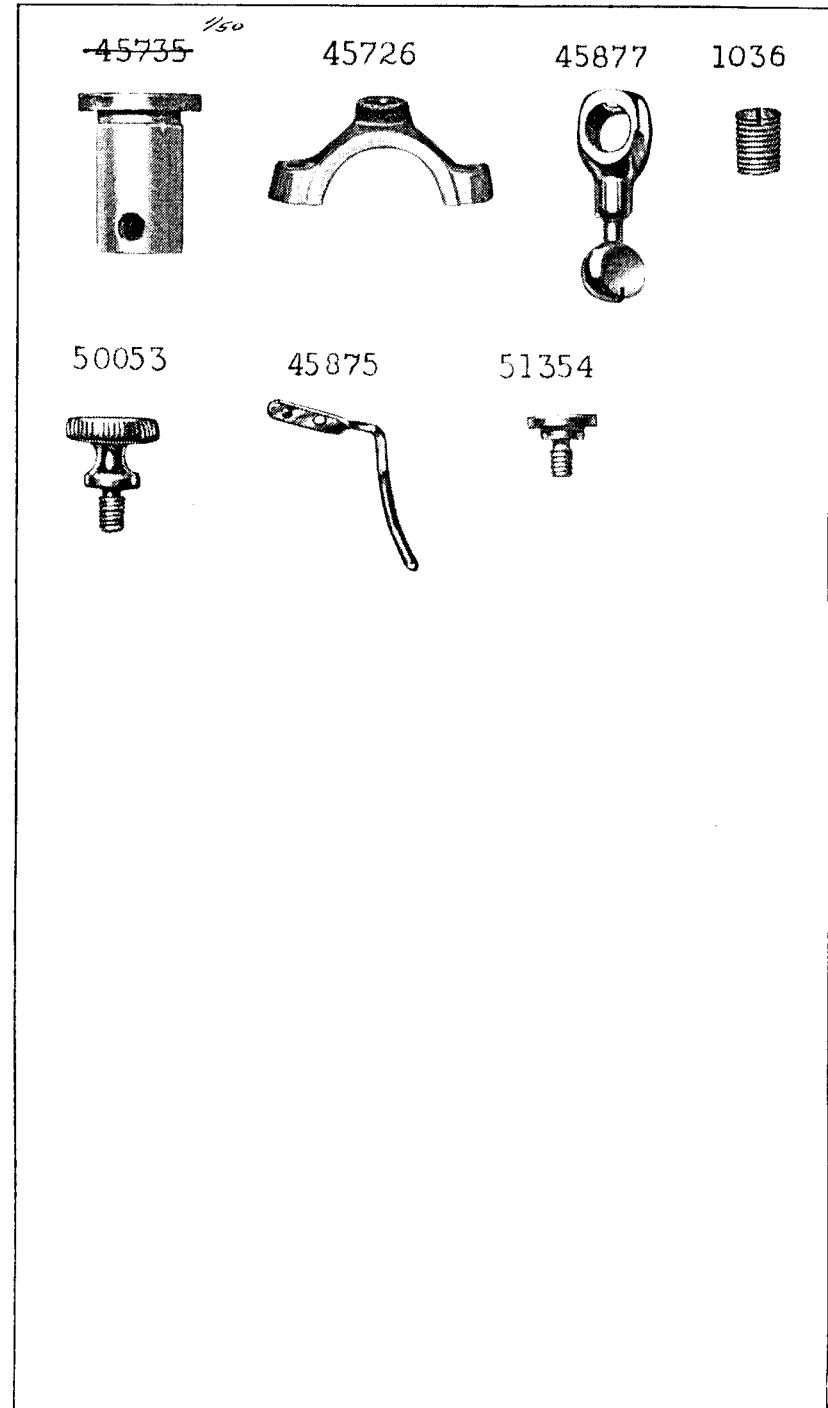
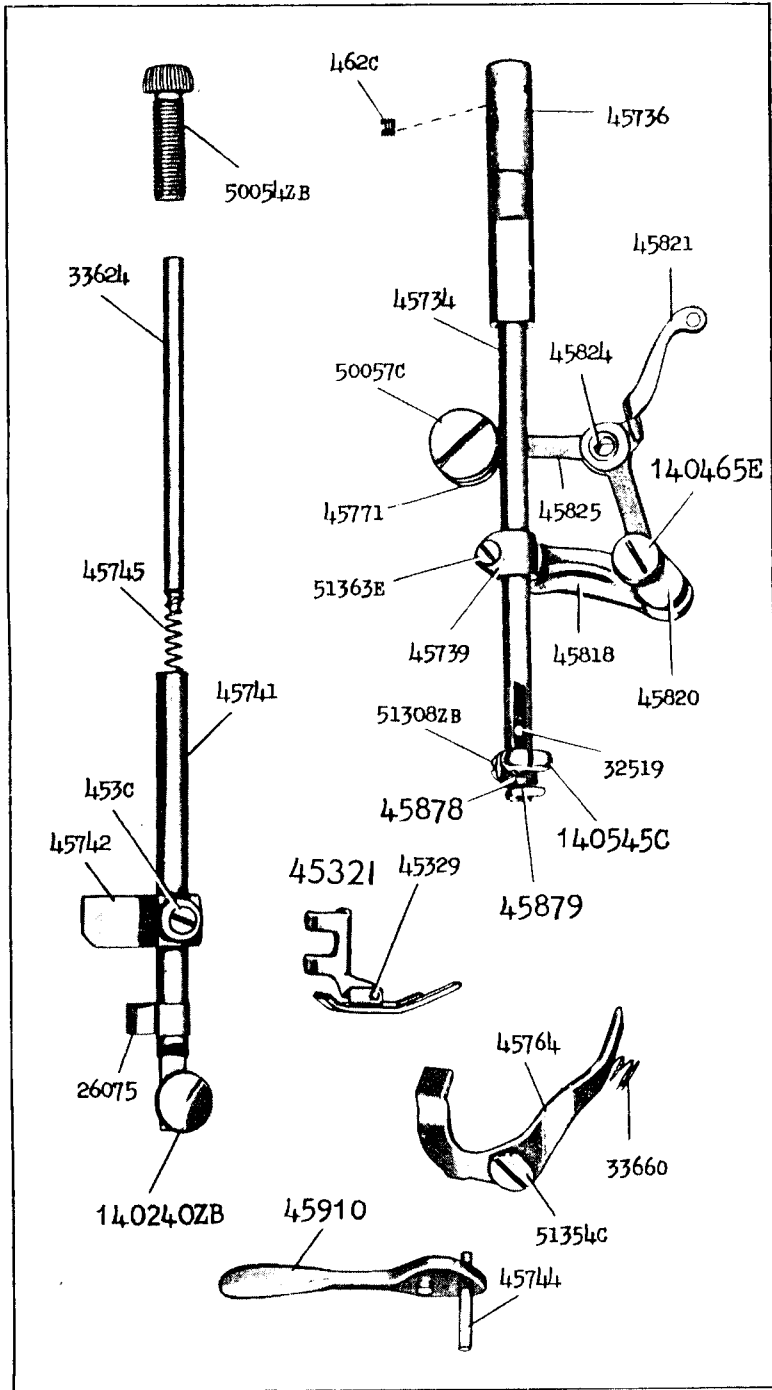


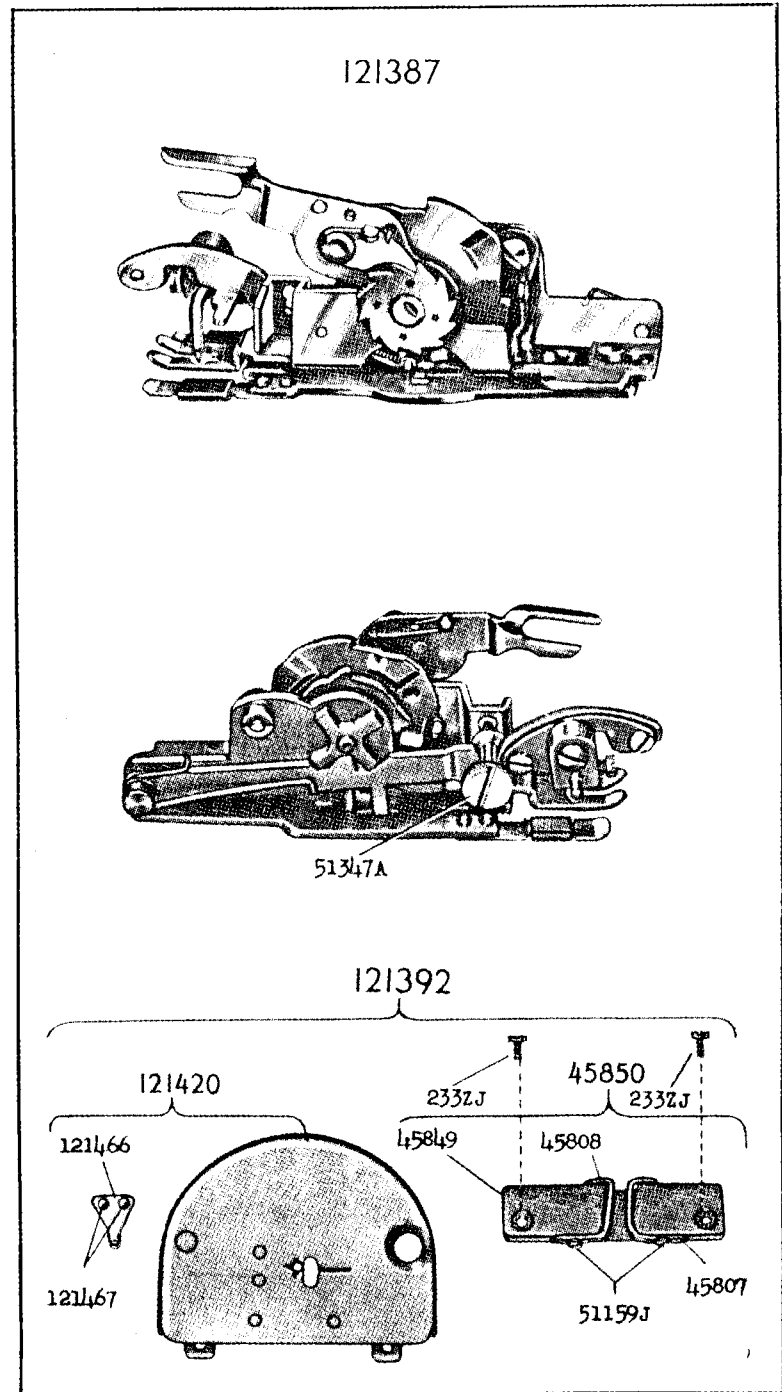
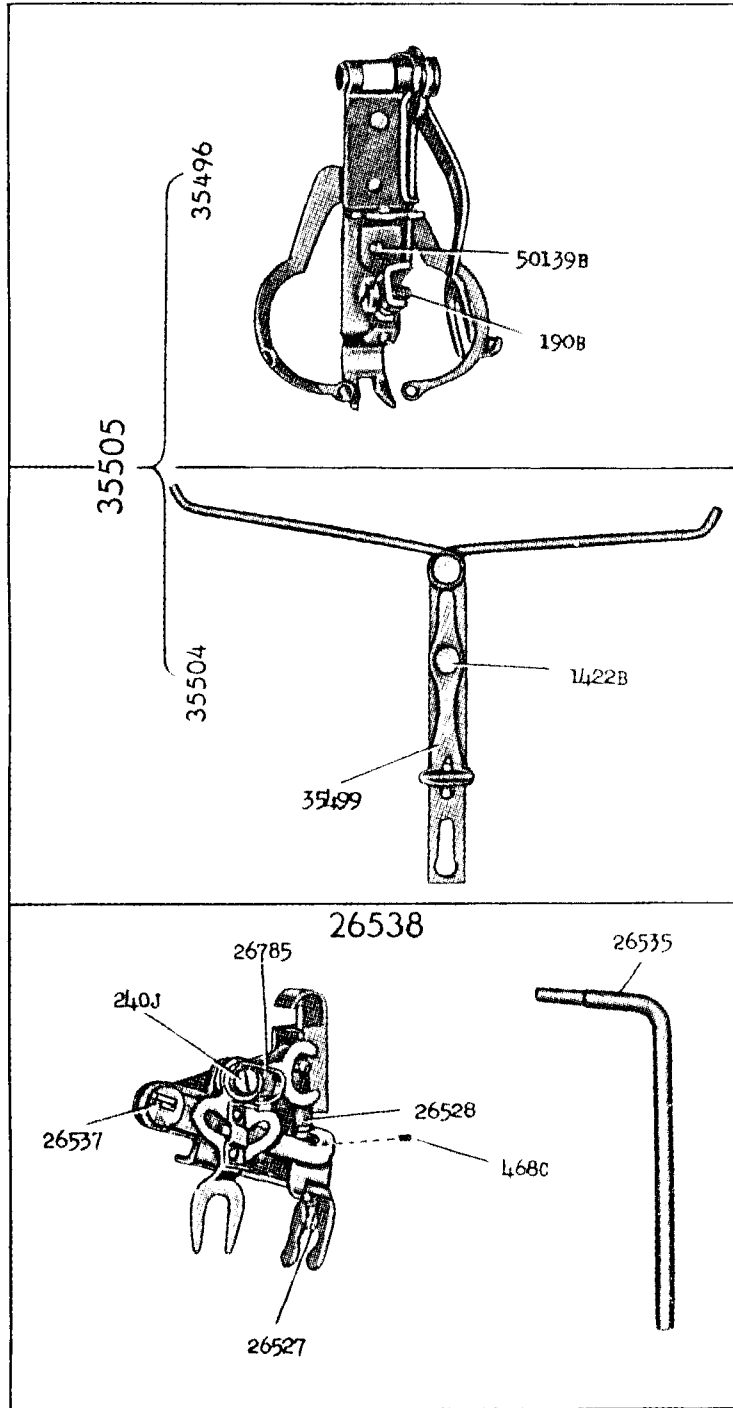
\*\* A-Trade Mark of  
THE SINGER MANUFACTURING COMPANY

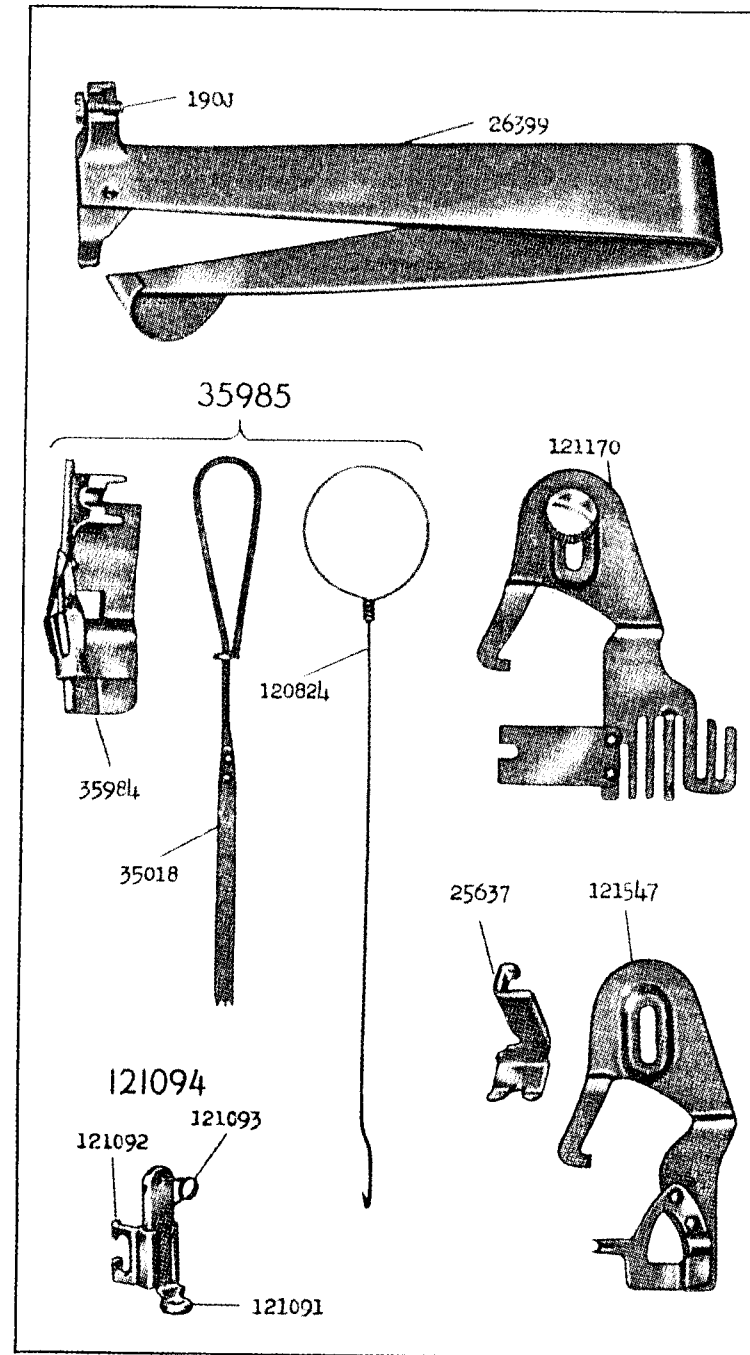
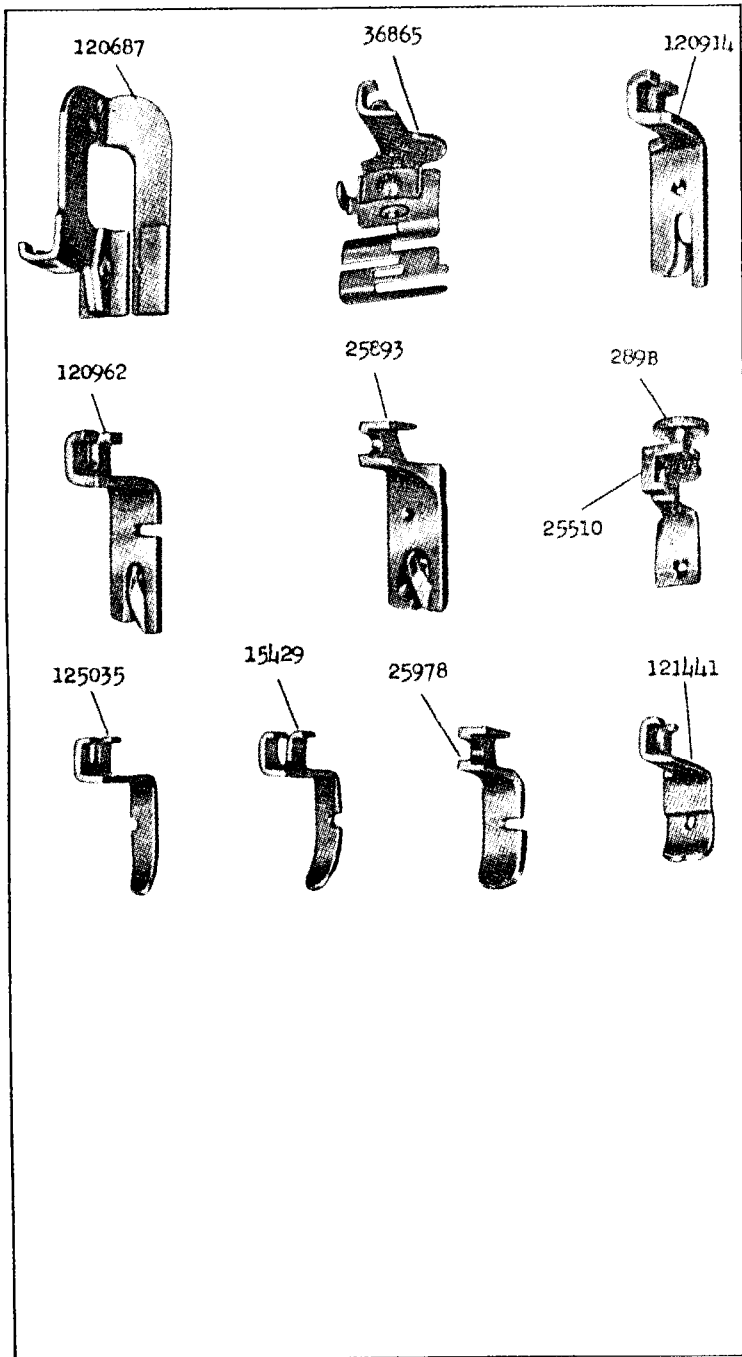




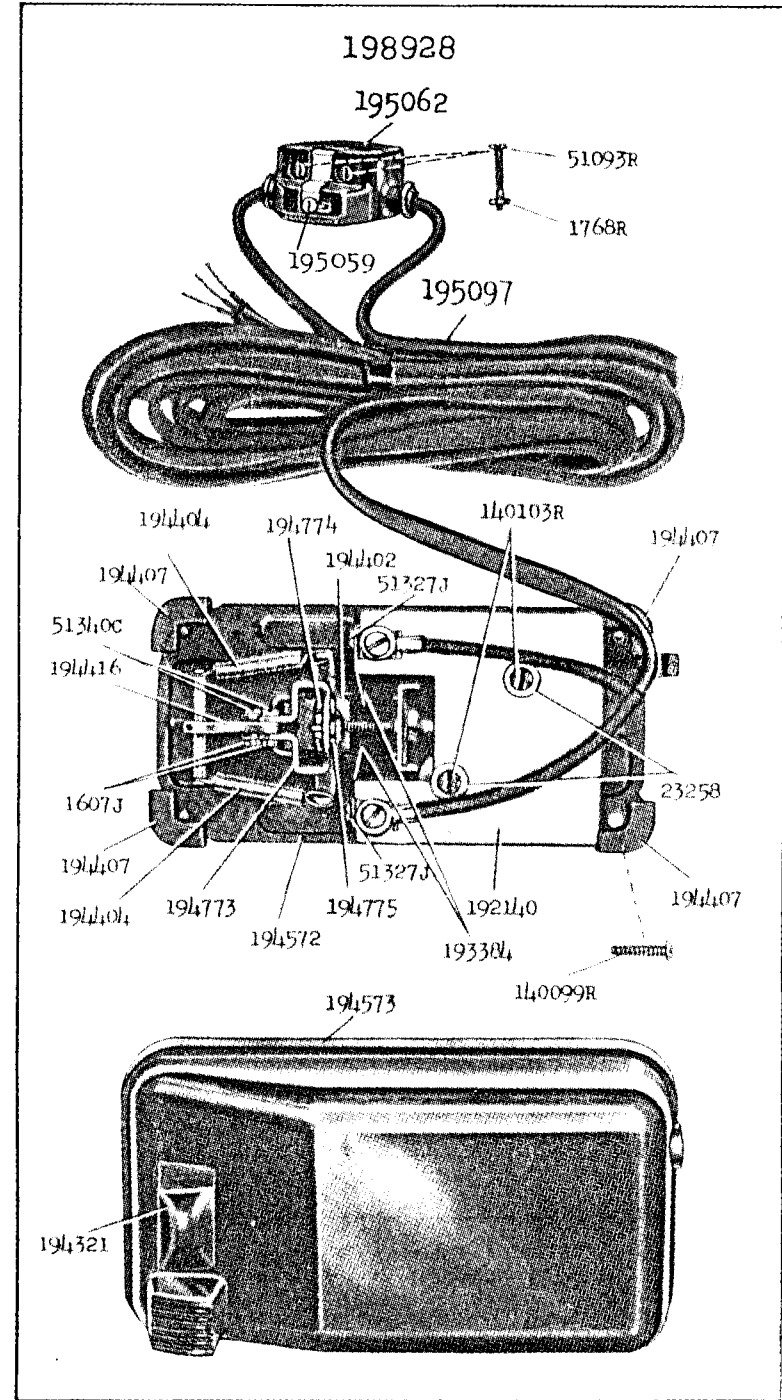
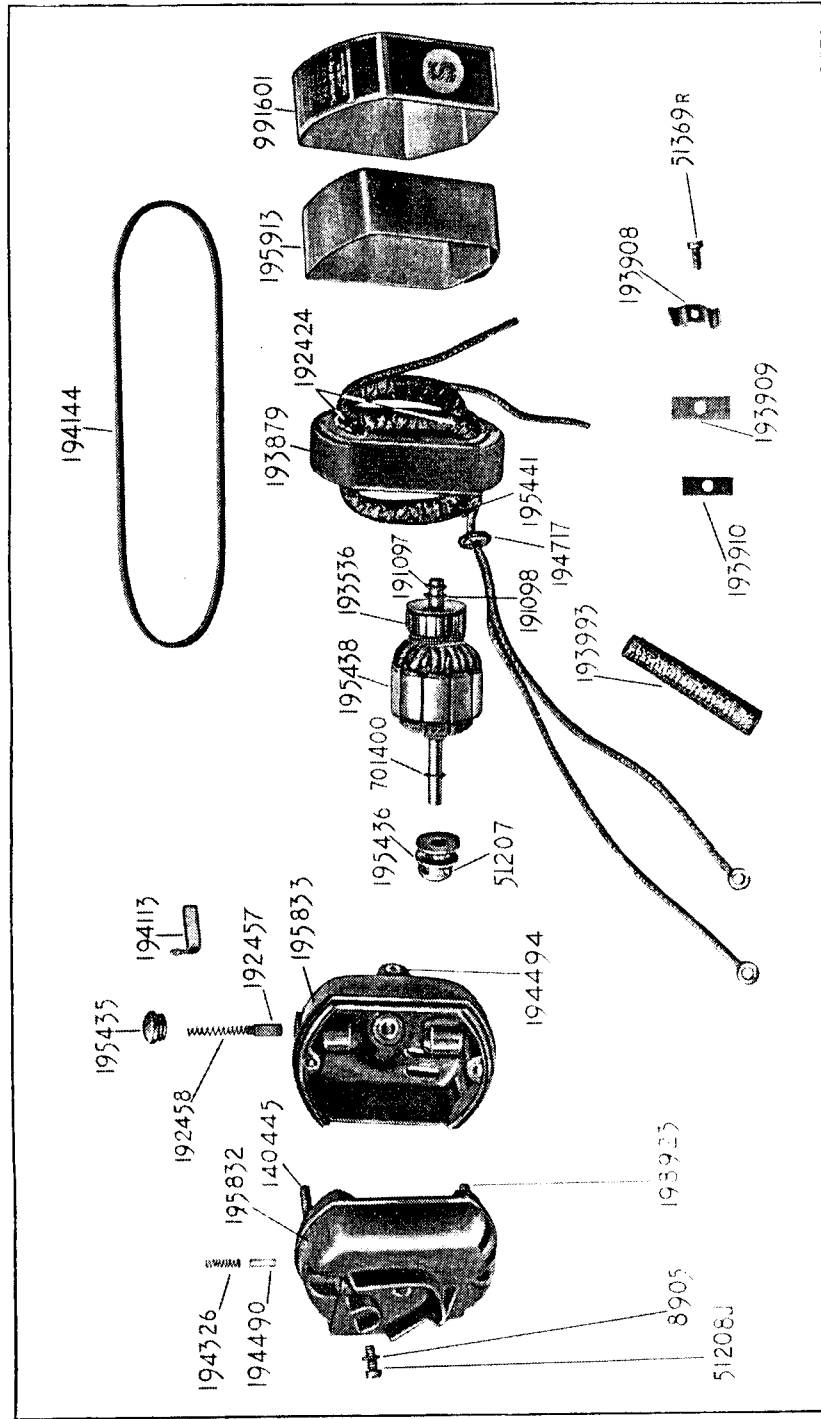


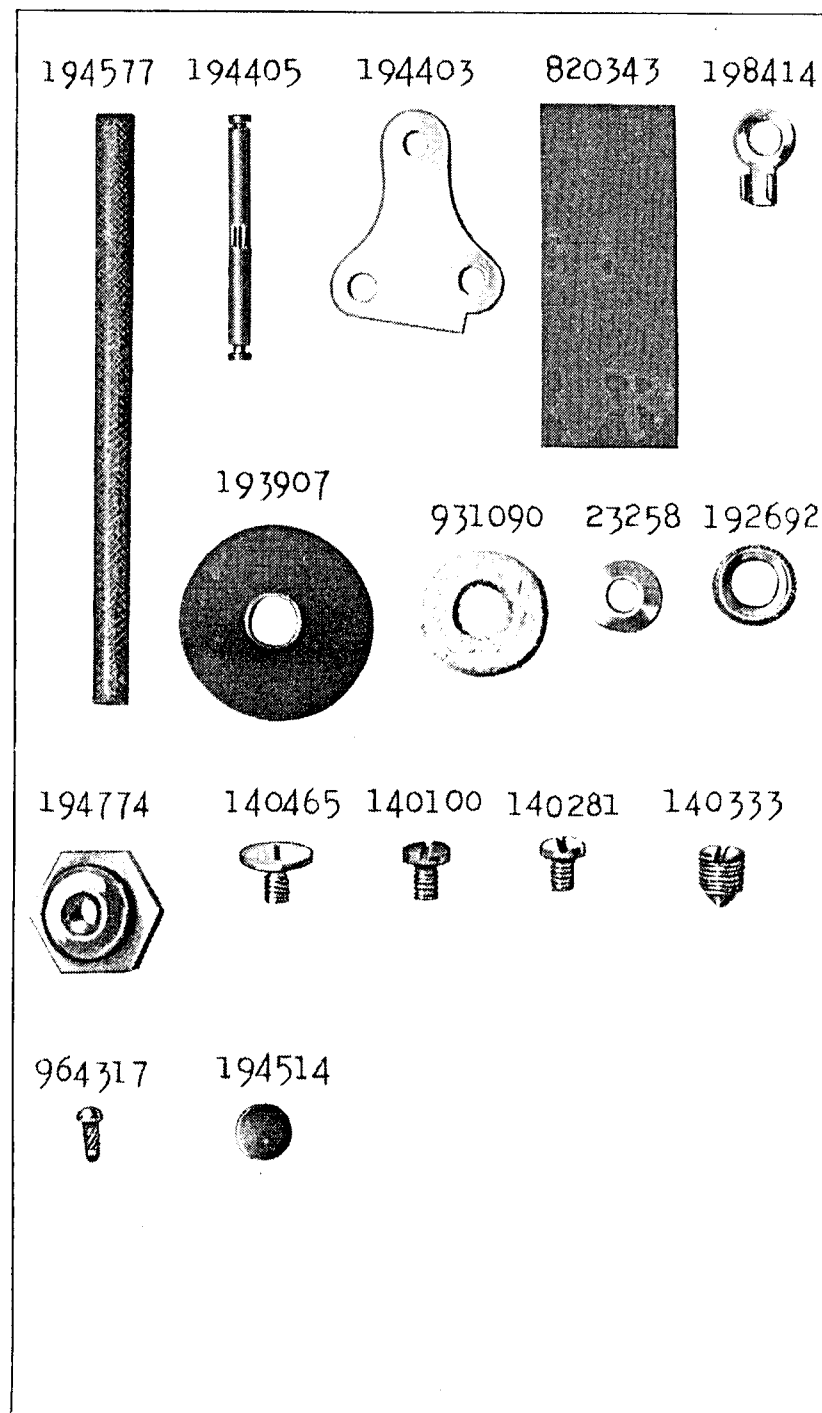
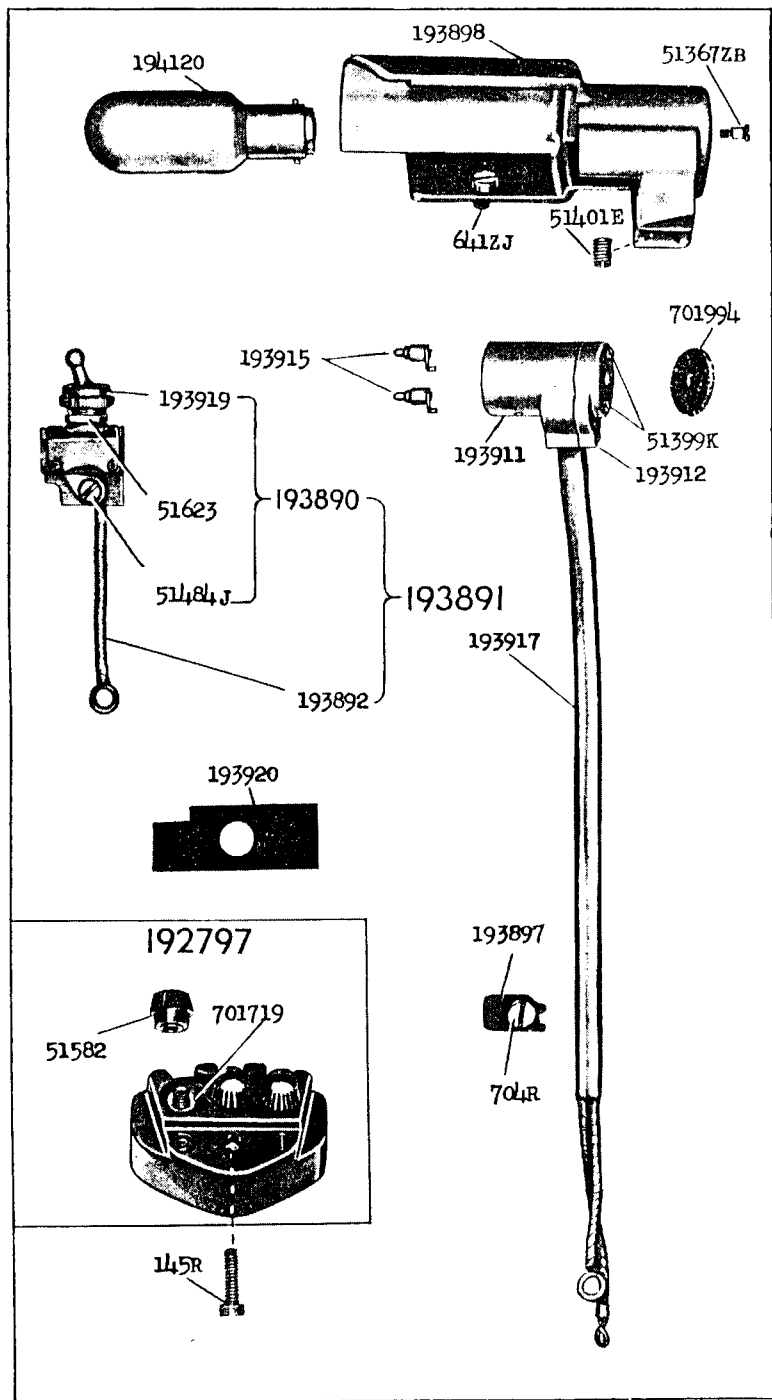


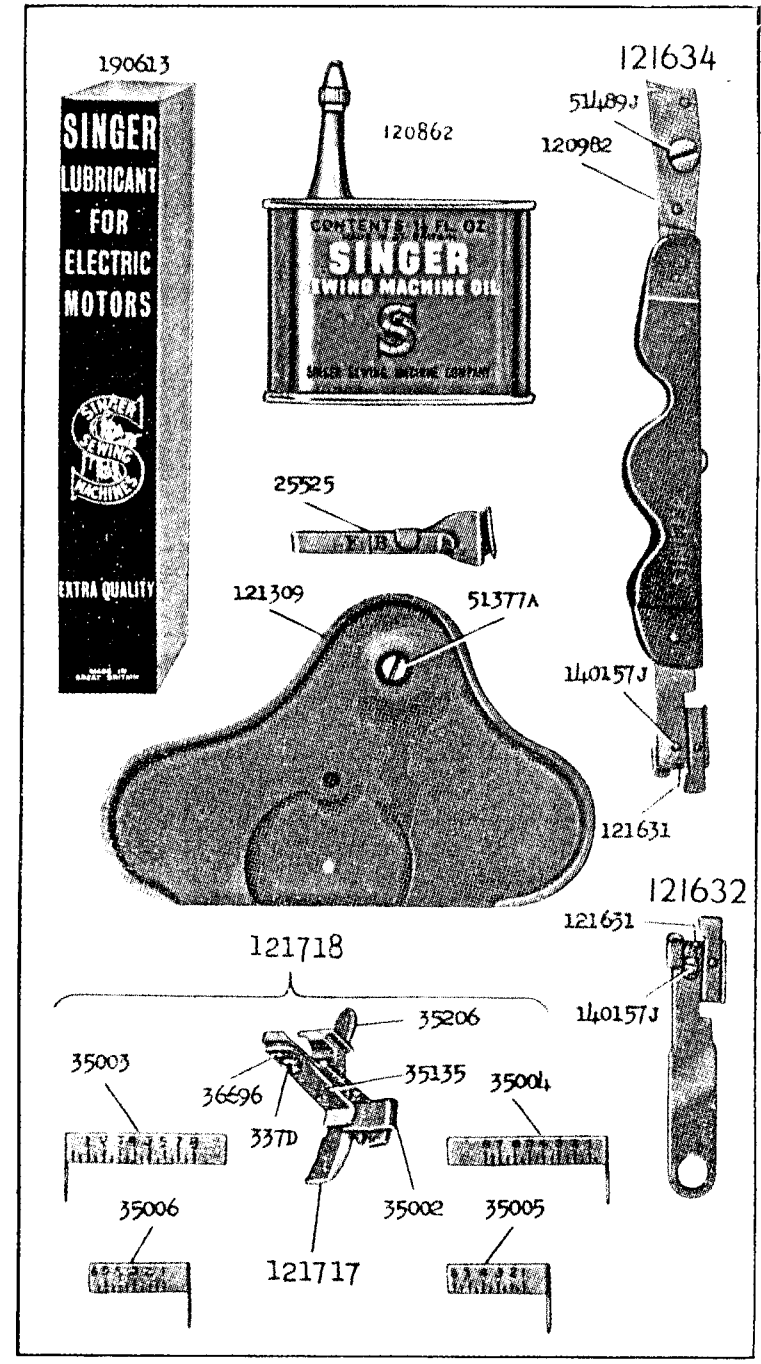
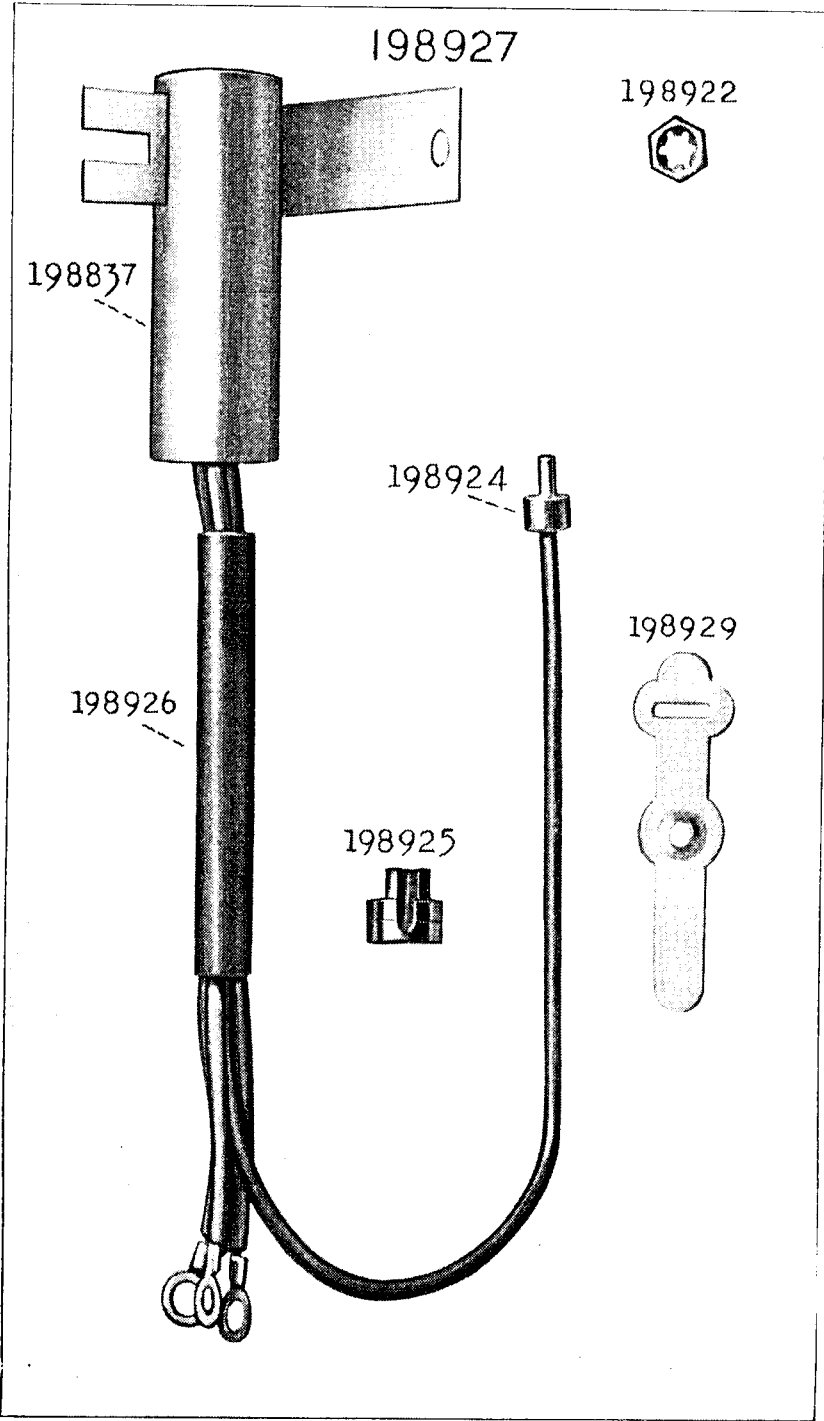


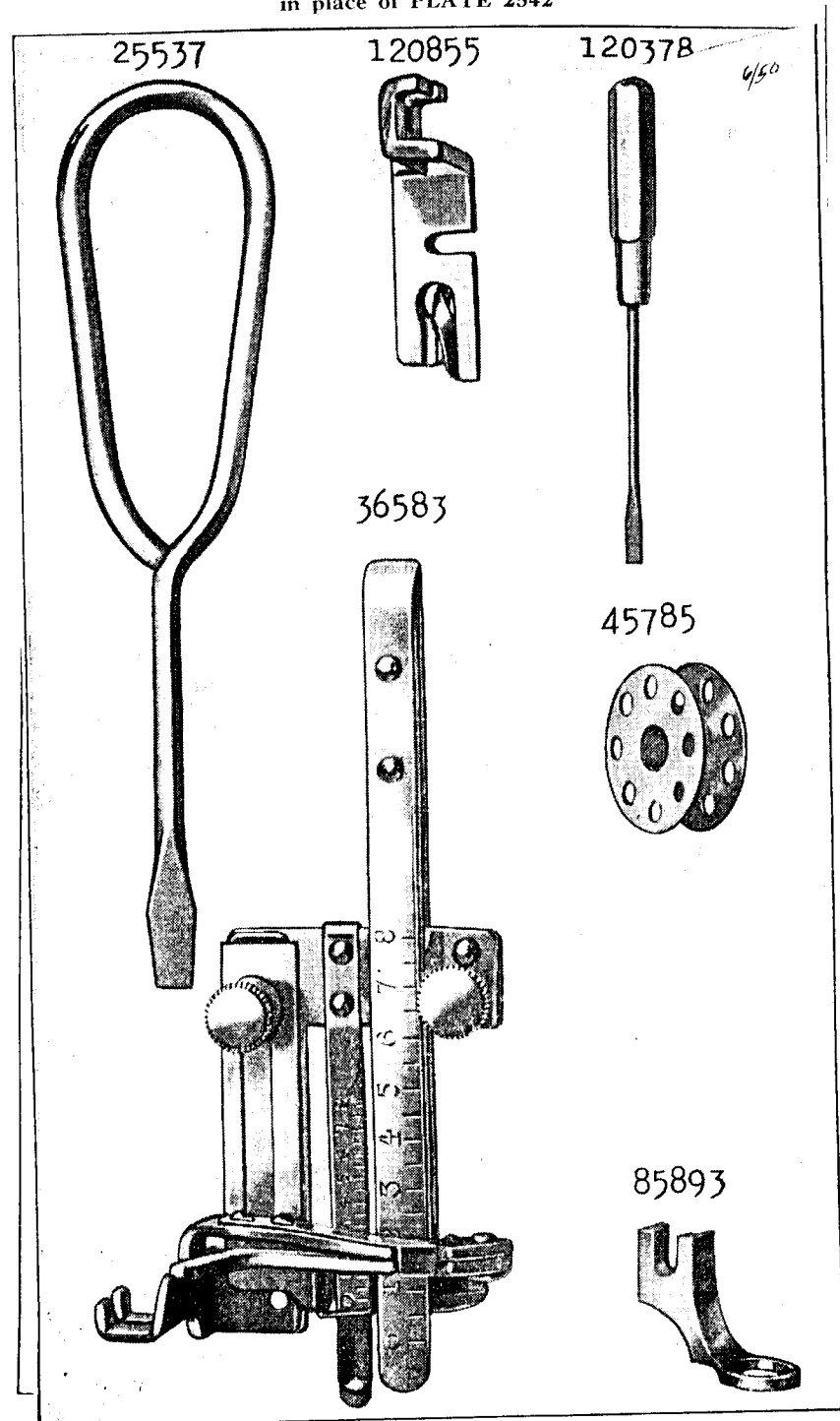
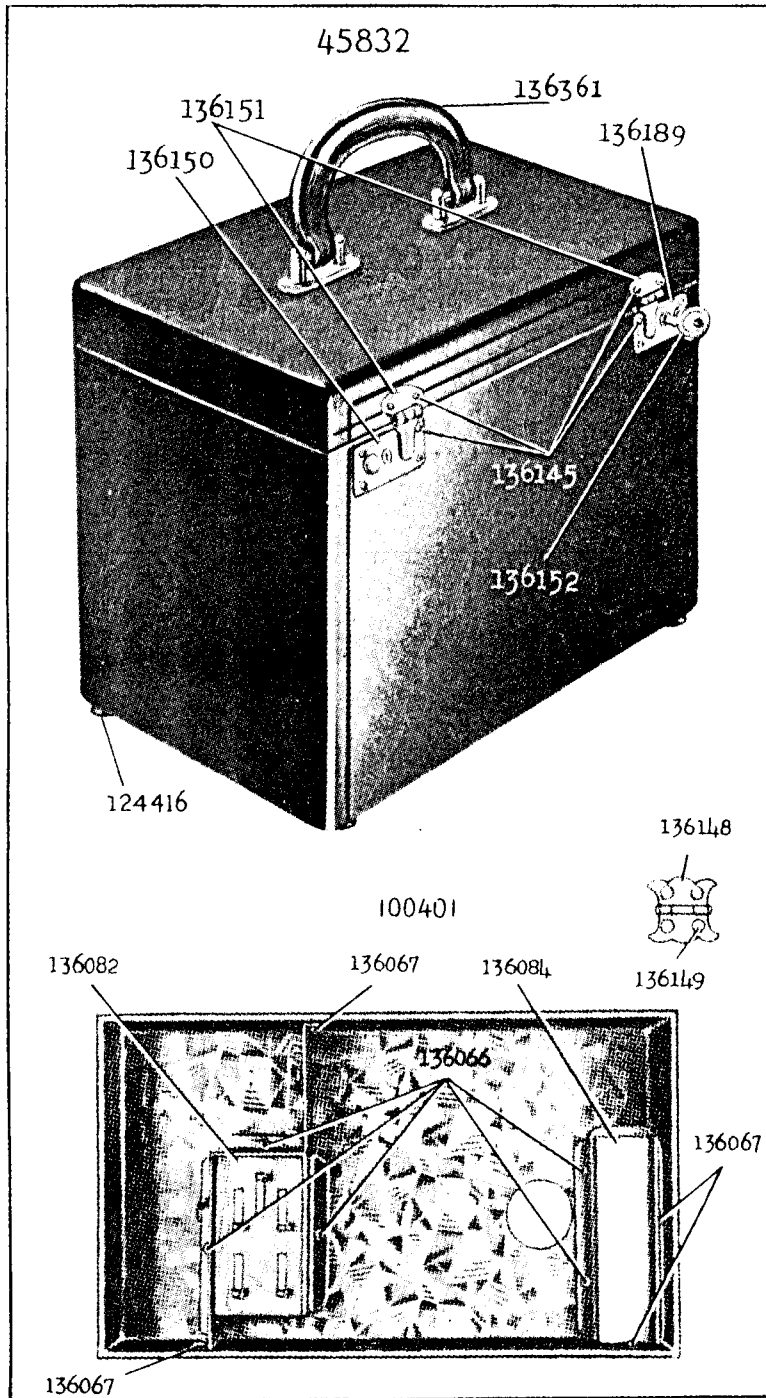












LIST OF PARTS  
FOR  
No. 221K1 MACHINE

CONTENTS

	Page
Attachments ... ..	44
Bobbin Winder Parts ... ..	43
Carrying Case ... ..	49
Machine Parts ... ..	31
Motor Parts ... ..	37
Numerical List of Parts ... ..	53
Singerlight ... ..	42

# INSTRUCTIONS FOR ORDERING

In ordering from this List, the prefix and affix letters with the part number **MUST BE** quoted exactly as they are shown in the first column.

A number always indicates the same part in whatever List it may appear, or for whatever machine.

The affix letters (where shown) indicate the style of finish, as follows:

- A. Hardened, Polished, Nickel Plated and Buffed.
- A.A. Buffed and Chromium Plated.
- A.B. Hardened, Polished, Buffed and Chromium Plated.
- A.C. Brown Baking Enamel Finish.
- A.D. Grey Baking Enamel Finish.
- A.E. Hardened, Bright Rumbled and Nickel Plated.
- A.F. Hardened, Bright Rumbled and Nickel Plated, Bright Rumbled and Chromium Plated.
- A.J. Polished, Nickel Plated and Chromium Plated.
- A.K. Hardened, Polished, Nickel Plated and Chromium Plated.
- A.L. Heat Treated for Toughness.
  - B. Polished, Nickel Plated and Buffed.
  - C. Hardened only.
- C.R. Hardened and Merlized.
  - D. Polished only.
  - E. Soft, not Polished.
  - F. Hardened and Polished.
- F.J. Hardened, Polished and Nickel Plated.
- G. Bright Rumbled and Nickel Plated.
- H. Blued.
- J. Nickel Plated only.
- K. Hardened and Nickel Plated.
- L. Brass Plated.
- M. Oxidized.
- N. Japanned, Dull.
- P. Japanned, Bright.
- P.P. Wrinkle Finish.
- R. Merlized.
- S. Cadmium Plated.
- T. Copper Plated.
- T.A. Hardened, Polished, Copper and Nickel Plated and Buffed.
- T.B. Copper and Nickel Plated and Polished.
- T.J. Copper and Nickel Plated only.
- T.K. Hardened, Copper and Nickel Plated.
- T.L. Copper and Brass Plated.
- T.M. Copper Plated and Oxidized.
  - U. Zinc Plated.
  - V. Silver Plated.
- W. Polished and Nickel Plated.
- X. Black Oxide for Iron and Steel.
- X.C. Hardened and Black Oxide for Iron and Steel.
- Y. Black Nickel Plated only.
- Z. Chromium Plated.
- Z.A. Hardened, Polished, Nickel Plated, Buffed and Chromium Plated.
- Z.B. Polished, Nickel Plated, Buffed and Chromium Plated.
- Z.C. Hardened and Chromium Plated.
- Z.D. Polished and Chromium Plated.
- Z.G. Bright Rumbled, Nickel Plated, Bright Rumbled and Chromium Plated.
- Z.J. Nickel and Chromium Plated.
- Z.T. Copper and Chromium Plated.

Parts marked with an asterisk (\*) are furnished only when the repairs are made at Factory.

## PARTS COMPLETE FOR MACHINE No. 221K1

Portable Family Machine, Rotary Hook, Motor Driven and Singerlight.

No.	Plate	
*45701		Arm ... ..
*45814		" 45701 with 45706, 45707, <del>45705</del> , 45773 two each 15405 and 45704

NOTE: Due to the accuracy required for gear alignment, Arm cannot be supplied separately and can only be sent as a unit, Arm and Bed assembled.

9046	2525	Arm Dowel Pin (2) ... ..
51472e	2525	" Screw (3) ... ..
45880	2525	" Shaft (horizontal) ... ..
45886		" " ( " ) 45880 with 45740 ... ..
45881	2525	" " ( " ) Bevel Gear with 1259c and 140333c ... ..
1259c	2525	" " ( " ) " " Set Screw ... ..
140333c	2538	" " ( " ) " " Position Screw ... ..
45704	2525	" " ( " ) Bushing ... ..
45705	2525	" " (upright) ... ..
45852	2525	" " ( " ) Bevel Gear (lower) with two 1259c ... ..
1259c	2525	" " ( " ) " " ( " ) Set Screw ... ..
45853	2525	" " ( " ) " " (upper) with two 1259c ... ..
1259c	2525	" " ( " ) " " ( " ) Set Screw ... ..
45706	2525	" " ( " ) Bushing (lower) ... ..
45707	2525	" " ( " ) " (upper) ... ..
45708	2527	" Top Cover ... ..
45795	2527	" " " 45708 with 45709 ... ..
330r	2527	" " " Screw ... ..
45709	2527	" " " Spool Pin ... ..
8879	2526	" " " " Washer (cloth) ... ..
45817	2525	Balance Wheel ... ..
*45855		Bed ... ..
*45856		" 45855 with 45759, 45760 and two 448c ... ..
NOTE: Due to the accuracy required for gear alignment, Bed cannot be supplied separately and can only be sent as a unit, Arm and Bed assembled.		
45712		Bed Cover Plate (bottom) ... ..
45800	2526	" " " ( " ) 45712 with 45799 ... ..
*45799		" " " ( " ) Felt ... ..
51361r	2526	" " " ( " ) Screw ... ..
51621r	2526	" " " ( " ) " Thumb Nut ... ..
8879	2526	" " " ( " ) " " Washer (cloth) ... ..

No.	Plate		
15780	2526	<b>Bed Cushion</b> (rubber)	
50116e	2526	" " Screw	
45713	2526	" Extension	
51380r	2526	" " Hinge Screw (2)	
45798	2526	" " " " Washer (2)	
45714	2526	" " " " Friction Washer (2)	
51350zb	2525	<b>Clamp Stop Motion Clamp Screw</b>	
248za	2525	" " " " Stop Screw	
45716	2525	" " " " Washer	
45717	2525	" " " " Flanged Bushing	
15765	...	" " " " " 45717 with 51350zb	
51351c	2525	" " " " " Screw	
15718		<b>Face Plate</b>	
45719	2527	" " 15718 with 45842 and 13961a	
50684zb	2527	" " Thumb Screw	
45875	2530	" " Thread Guard (lower)	
45842	2527	" " " " ( " ) 45875 with 125424	
125424	2527	" " " " " ( " ) Rivet	
45874	2527	" " " " " (upper)	
139615	...	" " " " " ( " ) 45874 with 125424	
125424	2527	" " " " " ( " ) Rivet	
45724	2528	<b>Feed Bar</b>	
45722	2528	" " Connecting Link	
999c	2528	" " " " Hinge Screw	
45723	2528	" " " " " Stud	
315c	2528	" " Screw Centre	
15445	...	" " " " " 315c with 1519j (2)	
1519j	2528	" " " " " Nut	
45724	2525	" Cam and Feed Lifting Eccentric with 50275c	
50275c	2525	" " " " " " Set Screw	
45788	2528	" Dog, 12 teeth (14 teeth to the inch) for 45772	
208al	2528	" " Screw (2)	
45727	2525	" Forked Connection	
45754	...	" " " " 45727 with 4832	
51353c	2525	" " " " Hinge Screw (eccentric)	
1520j	2525	" " " " " Nut	
1832	2525	" " " " Roller with 1085e	
1085e	2525	" " " " " Screw Stud	
45725	2525	" Lifting Connecting Rod with 45726 and two 171al	
*45726	2530	" " " " " Cap...	
171al	2525	" " " " " " Screw	
51352c	2525	" " " " " Hinge Screw (eccentric)	
1520j	2525	" " " " " " Nut	

No.	Plate		
15728	2528	<b>Feed Lifting Rock Shaft</b>	
15729	2528	" " " " Centre (left)	
448c	2525	" " " " " ( " ) Set Screw	
15730	2528	" " " " " (right)	
448c	2525	" " " " " ( " ) Set Screw	
15731	2525	" Regulator	
50353c	2525	" " " Hinge Screw	
8217	2525	" " " " Friction Washer	
45732	2525	" Reversing Handle	
15791	...	" " " " 45732 with 51622zb (2)	
1735e	2525	" " " " Lock Nut	
15733	2528	" Rock Shaft	
15729	2528	" " " Centre (left)	
448c	2525	" " " " ( " ) Set Screw	
15730	2528	" " " (right)	
448c	2525	" " " " ( " ) Set Screw	
15731	2529	<b>Needle Bar</b> (hollow) with 32549	
*15735	2530	" " Bushing (lower) <i>No. Counselor's</i>	
15736	2529	" " " (upper)	
462c	2525	" " " " ( " ) Set Screw	
15818	2529	" " Connecting Link	
45819	...	" " " " 45818 with 45739	
45739	2529	" " " Stud with 51363c	
51363c	2529	" " " " Clamping Screw	
45740	2525	" " Crank with 1036al and 1134al	
1134al	2525	" " " Position Screw	
45877	2530	" Clamp Body with 440545zc	
45878	2529	" " " 45877 with 51308zj	
45879	2529	" " Gib and Thread Guard	
51308zj	2529	" " Position Screw	
440545zc	2529	" " Thumb Screw	
32549	2529	" Stop Pin	
45741	2529	<b>Presser Bar</b>	
45742	2529	" " Guide Bracket with 453c	
453c	2529	" " " " Set Screw	
45910	2529	" " Lifter	
45744	2529	" " " Hinge Pin	
45745	2529	" " Spring	
45843	...	" " " 45745 with 33624	
45329	2529	<b>Presser Foot Hinge Pin</b>	
45319	...	" " Plate	
45320	...	" " Shank	
45321	2529	<b>Presser Foot</b> (hinged), complete, Nos. 45319, 45320 and 45329	
440240zb	2529	" " Thumb Screw	

No.	Plate	
50054zb	2529	<b>Pressure Regulating Thumb Screw</b> ... ..
33624	2529	" " " " Extension Pin ... ..
45827	2525	<b>Rotating Hook</b> with two 462al ... ..
45829	---	" " 45827 with 45752, 45761, 45831, 200145c, 200596f and 200614c
45828	---	" " 45827 with 45831, 200596f and 200614c (for Agents only)
45830	2525	" " and Bobbin Case complete, Nos. 45751 and 45829
45785	2542	" " Bobbin ... ..
*45750	---	" " Case ... ..
45751	2525	<b>Rotating Hook Bobbin Case</b> , complete, Nos. 45750, 45789, 200592c, 200964e, 201016f, 206736 and 210736 ... ..
45752	2525	<b>Rotating Hook Bobbin Case Base</b> ... ..
206735	2525	" " " " Latch ... ..
206736	2525	" " " " " 206735 with 206731 and 206737
206731	2525	" " " " Fulcrum Pin ... ..
206737	2525	" " " " Lever ... ..
210736	2525	" " " " Spring ... ..
200964e	2525	" " " " Stop Screw ... ..
45849	2528	" " " " Position Plate ... ..
45850	2532	" " " " " 45849 with 45807, 45808 and two 51159j
45807	2528	" " " " Position Plate Spring (back) ... ..
45808	2528	" " " " " " (front) ... ..
51159j	2528	" " " " " " Screw ... ..
233zj	2532	" " " " " " Screw (2) ... ..
45789	2525	" " " " Tension Spring ... ..
201016f	2525	" " " " " " Regulating Screw
200592c	2525	" " " " " " Screw
45833	2525	" " Collar and Counterbalance with 447c ... ..
447c	2525	" " " " " Set Screw ... ..
45831	2525	" " Gib ... ..
200614c	2525	" " " Hinge Screw ... ..
200596f	2525	" " " Screw ... ..
462al	2525	" " Set Screw ... ..
45834	2525	" " Shaft ... ..
45854	2525	" " Bevel Gear with two 1259c ... ..
1259c	2525	" " " " " Set Screw ... ..
45759	2525	" " " Bushing (back) ... ..
448c	2525	" " " " ( " ) Set Screw ... ..
45760	2525	" " " " (front) ... ..
448c	2525	" " " " ( " ) Set Screw ... ..
45761	2525	" " Loop Guard ... ..
200145c	2525	" " " " Screw ... ..

No.	Plate	
15863	2527	<b>Slack Thread Regulator and Tension Thread Guide</b> ... ..
335zb	2527	" " " " " " " " Screw
45900	---	<b>Set of Mated Gears</b> (upper shaft), complete, Nos. 45853 and 45881
45901	---	<b>Set of Mated Gears</b> (lower shaft), complete, Nos. 45852 and 45851
45826	2527	<b>Spool Holder Spring</b> ... ..
45763	2525	<b>Stitch Indicator Plate</b> ... ..
51384zb	2525	" " " " Screw (2) ... ..
51622zb	2525	" " Regulating Thumb Nut ... ..
2102	2527	<b>Tension Disc</b> ... ..
45866	2527	" " Indicator ... ..
45864	2527	" " " Flange ... ..
45865	2527	" " " Stop Washer ... ..
51681zb	2527	" " Regulating Thumb Nut with 45339 ... ..
45339	2527	" " " " Engaging Pin ... ..
45741	2529	" " Releasing Lever ... ..
51354c	2529	" " " Hinge Screw ... ..
33660	2529	" " " Spring ... ..
45868	2527	" " Pin ... ..
45869	2527	" " Spring ... ..
140167zb	2527	" " Stud (P. 2001 stud only) ... ..
45870	---	" " 140167zb with 51681zb ... ..
457c	2527	" " Set Screw ... ..
45871	2527	<b>Tension</b> (graduated), complete, Nos. 45864 to 45866, <del>45868</del> to 45870, 45873, 66774 and two 2102 ... ..
26075	2529	<b>Thread Cutter and Holder</b> ... ..
8422	2527	" " Guard (head of arm, upper) ... ..
45782	2527	" " " (head of arm, lower) ... ..
45820	2529	" " Take-up Crank ... ..
1036al	2530	" " " Set Screw ... ..
*45821	2529	" " Lever ... ..
45822	---	" " " complete, Nos. 45821, 45824 and 45825
45823	---	" " " 45822 with 45771, 45819, 45820, 50057c and 140465e
140465e	2529	" " " Cap Screw ... ..
*45824	2529	" " " Hinge Stud ... ..
*45825	2529	" " " Link ... ..
50057c	2529	" " " " Hinge Screw ... ..
45771	2529	" " " " " Washer ... ..
66774	2527	" " Spring ... ..
45873	2527	" " " Thread Guard ... ..
45772	2528	<b>Throat Plate</b> for 45788 ... ..
691za	2528	" " " Screw (2) ... ..
*45773	---	<b>Trade Mark</b> ... ..
15405	---	" " Rivet ... ..



# Motor Parts

## SERIES C.A.K. 6 MOTORS

Volts.	Cycles.	Amperes.	Motor Catalogue No.
12	D.C.	4.2	C.A.K. 6-1
32	D.C.	1.0	C.A.K. 6-3
50	D.C. & 25 to 75	.7	C.A.K. 6-5
95-100	D.C. & 25 to 75	.4	C.A.K. 6-6
100-110	D.C. & 25 to 75	.4	C.A.K. 6-7
110-120	D.C. & 25 to 75	.4	C.A.K. 6-8
150-165	D.C. & 25 to 75	.35	C.A.K. 6-9
190-210	D.C. & 25 to 75	.25	C.A.K. 6-10
210-230	D.C. & 25 to 75	.25	C.A.K. 6-11
230-250	D.C. & 25 to 75	.25	C.A.K. 6-12
120-130	D.C. & 25 to 75	.35	C.A.K. 6-14
130-145	D.C. & 25 to 75	.35	C.A.K. 6-15

No.	Plate				
195487		Armature, complete, for C.A.K. 6-3 Motor	...	...	...
195725		" " " C.A.K. 6-3 S.I. Motor	...	...	...
195488		" " " C.A.K. 6-5 Motor	...	...	...
195726		" " " C.A.K. 6-5 S.I. Motor	...	...	...
195489		" " " C.A.K. 6-6 Motor	...	...	...
195727		" " " C.A.K. 6-6 S.I. Motor	...	...	...
195437		" " " C.A.K. 6-7 Motor	...	...	...
195728		" " " C.A.K. 6-7 S.I. Motor	...	...	...
195491		" " " C.A.K. 6-8 Motor	...	...	...
195729		" " " C.A.K. 6-8 S.I. Motor	...	...	...
195493		" " " C.A.K. 6-9 Motor	...	...	...
193730		" " " C.A.K. 6-9 S.I. Motor	...	...	...
195496		" " " C.A.K. 6-10 Motor	...	...	...
195731		" " " C.A.K. 6-10 S.I. Motor	...	...	...
195438	2535	" " " C.A.K. 6-11 Motor	...	...	...
195732		" " " C.A.K. 6-11 S.I. Motor	...	...	...
195868		" " " C.A.K. 6-12 Motor	...	...	...
195733		" " " C.A.K. 6-12 S.I. Motor	...	...	...
195518		" " " C.A.K. 6-14 Motor	...	...	...
195734		" " " C.A.K. 6-14 S.I. Motor	...	...	...
195492		" " " C.A.K. 6-15 Motor	...	...	...
195735		" " " C.A.K. 6-15 S.I. Motor	...	...	...
191097	2535	Armature Shaft Thrust Washer (fibre)	...	...	...
191098	2535	" " " " (paper)	...	...	...
701400	2535	" " " " (pulley end)	...	...	...
194144	2535	Belt (moulded)	...	...	...
192457	2535	Brush (carbon, $\frac{7}{32}$ " sq.), for C.A.K. 6-3, C.A.K. 6-3 S.I., C.A.K. 6-5, C.A.K. 6-5 S.I., C.A.K. 6-6, C.A.K. 6-6 S.I., C.A.K. 6-7, C.A.K. 6-7 S.I., C.A.K. 6-8, C.A.K. 6-8 S.I., C.A.K. 6-11, C.A.K. 6-14 S.I., C.A.K. 6-15 and C.A.K. 6-15 S.I. Motors	...	...	...
193799		Brush (carbon, $\frac{7}{32}$ " sq.), for C.A.K. 6-9, C.A.K. 6-9 S.I., C.A.K. 6-10, C.A.K. 6-10 S.I., C.A.K. 6-11, C.A.K. 6-11 S.I., C.A.K. 6-12 and C.A.K. 6-12 S.I. Motors	...	...	...
195435	2535	Brush Cap	...	...	...
194113	2535	" Holder Tube	...	...	...
192458	2535	" Spring	...	...	...
193536	2535	Commutator, complete	...	...	...
193907	2538	" Oil Sling	...	...	...

No.	Plate	
195833	2535	End Cover (Commutator end) ... ..
195832	2535	" " (pulley end) ... ..
140445	2535	" " Fastening Screw ... ..
198923	2535	" " " " for 198927 ... ..
195465	---	Field Coils, assembled, for 195464 ... ..
193879	2535	" Core, complete ... ..
195464	---	" " with Coils, No. 195465, complete, for C.A.K. 6-3 Motor
195747	---	" Coils, assembled, for 195736 ... ..
195736	---	" Core with Coils, No. 195747, complete, for C.A.K. 6-3 S.I. Motor
195468	---	" Coils, assembled, for 195467 ... ..
195467	---	" Core with Coils, No. 195468, complete, for C.A.K. 6-5 Motor
195748	---	" Coils, assembled, for 195737 ... ..
195737	---	" Core with Coils, No. 195748, complete, for C.A.K. 6-5 S.I. Motor
195470	---	" Coils, assembled, for 195469 ... ..
195469	---	" Core with Coils, No. 195470, complete, for C.A.K. 6-6 Motor
195749	---	" Coils, assembled, for 195738 ... ..
195738	---	" Core with Coils No. 195749, complete, for C.A.K. 6-6 S.I. Motor
195440	---	" Coils, assembled, for 195439 ... ..
195439	---	" Core with Coils, No. 195440, complete, for C.A.K. 6-7 Motor
195750	---	" Coils, assembled, for 195739 ... ..
195739	---	" Core with Coils, No. 195750, complete, for C.A.K. 6-7 S.I. Motor
195474	---	" Coils, assembled, for 195473 ... ..
195473	---	" Core with Coils, No. 195474, complete, for C.A.K. 6-8 Motor
195751	---	" Coils, assembled, for 195740 ... ..
195740	---	" Core with Coils, No. 195751, complete, for C.A.K. 6-8 S.I. Motor
195478	---	" Coils, assembled, for 195477 ... ..
195477	---	" Core with Coils, No. 195478, complete, for C.A.K. 6-9 Motor
195752	---	" Coils, assembled, for 195741 ... ..
195741	---	" Core with Coils, No. 195752, complete, for C.A.K. 6-9 S.I. Motor
195484	---	" Coils, assembled, for 195483 ... ..
195483	---	" Core with Coils, No. 195484, complete, for C.A.K. 6-10 Motor
195753	---	" Coils, assembled, for 195742 ... ..
195742	---	" Core with Coils, No. 195753, complete for C.A.K. 6-10 S.I. Motor
195442	---	" Coils, assembled, for 195441 ... ..
195441	2535	" Core with Coils, No. 195442, complete, for C.A.K. 6-11 Motor
195754	---	" Coils, assembled, for 195743 ... ..

No.	Plate	
195743	---	Field Core with Coils, No. 195754, complete, for C.A.K. 6-11 S.I. Motor
195482	---	" Coils, assembled, for 195481 ... ..
195481	---	" Core with Coils, No. 195482, complete, for C.A.K. 6-12 Motor
195755	---	" Coils, assembled, for 195744 ... ..
195744	---	" Core with Coils, No. 195755, complete, for C.A.K. 6-12 S.I. Motor
195520	---	" Coils, assembled, for 195519 ... ..
195519	---	" Core with Coils, No. 195520, complete, for C.A.K. 6-14 Motor
195756	---	" Coils, assembled, for 195745 ... ..
195745	---	" Core with Coils, No. 195756, complete, for C.A.K. 6-14 S.I. Motor
195476	---	" Coils, assembled, for 195475 ... ..
195475	---	" Core with Coils, No. 195476, complete, for C.A.K. 6-15 Motor
195757	---	" Coils, assembled, for 195746 ... ..
195746	---	" Core with Coils, No. 195757, complete, for C.A.K. 6-15 S.I. Motor
820343	2538	" Coil Insulation ... ..
<del>195474</del>	<del>2535</del>	" " Retainer ... ..
194717	2535	" " Lead Strain Relief ... ..
193908	2535	" " " Clamp ... ..
193909	2535	" " " " Insulation ... ..
193910	2535	" " " " Insulating Plate ... ..
51369r	2535	" " " " Screw ... ..
†991601	2535	" Core Shield and Nameplate ... ..
195913	2535	" " " " " Insulation ... ..
†When ordering, state motor with which it is to be used.		
193993	2535	Motor Lead Tube ... ..
195436	2535	" Pulley with 51207r ... ..
51207r	2535	" " Set Screw ... ..
51208r	2535	" Screw ... ..
8905	2535	" " Washer ... ..
194326	2535	Oil Lubricating Spring ... ..
194494	2535	" " Tube ... ..
194499	2535	" " Wick ... ..
*193700	---	Three-pin Terminal Body (male half) ... ..
51582	2537	" " " " ( " " ) Post Thumb Nut ... ..
701719	2537	" " " " ( " " ) " Washer ... ..
192797	2537	Three-pin Terminal Body (male half), complete, Nos. 193700, three each 51582 and 701719 ... ..
145r	2537	Three-pin Terminal Body (male half) Screw ... ..
190013	2540	Tube filled with Singer Lubricant for Electric Motors ... ..

## FOOT CONTROLLERS

No.	Plate	
198928	2536	Controller (moulded, foot), complete with grounding terminal, for 150 to 250 volts, A.C. or D.C. Motor, Nos. 194321, 194571, 194573, 195097, 899287, two 964317, four each 140099r and 194407 ...
194583	---	Controller, complete, for 32 to 55 volts, A.C. or D.C. Motor, Nos. 194321, 194569, 194573, 194574, 899287, two 964317, four each 140099r and 194407 ...
194584	---	Controller, complete, for 95 to 145 volts, A.C. or D.C. Motor, Nos. 194321, 194570, 194573, 194574, 899815, two 964317, four each 140099r and 194407 ...
194585	---	Controller, complete, for 150 to 250 volts, A.C. or D.C. Motor, Nos. 194321, 194571, 194573, 194574, 899287, two 964317, four each 140099r and 194407 ...
194572	2536	Controller Base with two 194419 ...
194569	---	" " 194572 with 192211, 194418, 194774, 194775 two each 23258, 140100r, 140103r, 194404, 194514 and 931090 ...
194570	---	Controller Base 194572 with 192140, 194418, 194774, 194775, two each 23258, 140100r, 140103r, 194404, 194514 and 931090 ...
194571	---	Controller Base 194572 with 192141, 194418, 194774, 194775, two each 23258, 140100r, 140103r, 194404, 194514 and 931090 ...
194407	2536	Controller Base Cushion (rubber) ...
140099r	2536	" " Screw ...
194573	2536	" Cover ...
194321	2536	" Foot Pedal ...
194517	---	" Lead Cord (long) 8 feet, for 194522 ...
194576	---	" " " (short) 3 feet, 10 inches, for 194575 ...
194522	---	" " " 194517 and plug for 194574 ...
194575	---	" " " 3 feet 10 inches, complete, from three pin terminal to controller, Nos. 194576, 194577, 194604, two each 191960 and 191961 for 194574 ...
194574	---	Controller Lead Cord, complete, from lamp socket to three-pin terminal and controller, Nos. 194521, 194522 and 194575 ...
*195094	---	Controller Lead Cord (short) 3 feet 10 inches ...
195093	---	" " " 3 feet 10 inches, long, complete, Nos. 194577, 194604, 195094, two each 191960 and 191961 ...
*195098	---	Controller Lead Cord (long) 8 feet with plug ...
195097	2536	" " with Ground Connection, complete, from lamp socket to three-pin terminal and controller, Nos. 194525, 195062, 195093 and 195098 ...
194525	---	Controller Lead Identification Tube (red) ...
194577	2538	" " Cord Insulating Sleeve 2 $\frac{11}{16}$ inches long ...
*194604	---	" " Insulating Sleeve 3 $\frac{3}{8}$ inches long ...
191960	---	" " Terminal Clip Body (controller end) ...
191961	---	" " " " " Cap (controller end) ...

## FOOT CONTROLLERS

No.	Plate	
192211	---	Controller Resistance Unit, 32 to 55 volts ...
192140	2536	" " " 95 to 145 volts ...
192141	---	" " " 150 to 250 volts ...
194774	2536	" " " Adjusting Nut ...
194775	2536	" " " " " Lock Spring ...
194403	2538	" " " Bell Crank for 194416 ...
194416	2536	" " " " " complete, Nos. 194405 and two 194403 ...
51340c	2536	Controller Resistance Unit Bell Crank Hinge Screw ...
1607j	2527	" " " " " " " Nut ...
194404	2536	" " " " " " Spring ...
194402	2536	" " " " " " Bracket ...
140100r	2538	" " " " " " Screw ...
194418	---	Controller Resistance Unit Bell Crank Spring Bracket 194402 with 194416, 194773, two each 1607j and 51340c ...
194514	2538	Controller Resistance Unit Bell Crank Spring Bracket Screw Insulating Disc ...
194405	2538	Controller Resistance Unit Bell Crank Spring Position Pin ...
194419	---	" " " Insert Nut (brass) ...
140103r	2536	" " " Screw ...
931090	2538	" " " " Washer (asbestos) ...
23258	2538	" " " " (steel) ...
194773	2536	" " " Yoke ...
51340c	2536	" " " " Hinge Screw ...
1607j	2527	" " " " " Nut ...
*899815	---	Name Plate for 194584 ...
*899287	---	" " " 194583, 194585 and 198928 ...
964317	2538	" " Drive Screw ...
*192644	---	Three-Pin Terminal (female half) Housing (lower) ...
*194520	---	" " " ( " " ) " (upper) ...
51093r	2536	" " " ( " " ) " Screw ...
1768r	2536	" " " ( " " ) " Nut ...
192692	2538	" " " ( " " ) Insert Clamp ...
192691	---	" " " ( " " ) " Sleeve ...
194521	---	Three-Pin Terminal (female half), complete, Nos. 192644, 194520, two each 1768r, 51093r, three each 192691 and 192692 ...
195062	2536	Three-Pin Terminal (female half) with Ground Connection, complete, Nos. 195063, 195067, two each 1768r, 51093r and 195059 ...
*195068	---	Three-Pin Terminal (female half) Housing (lower) with three 195058
195067	---	" " " ( " " ) " ( " ) 195068 with three each 140125 and 195057 ...
*195057	---	Three-Pin Terminal (female half) Housing (lower) Contact Prong
*195058	---	" " " ( " " ) " ( " ) Insert ...
*195064	---	" " " ( " " ) " (upper) with 195065
195063	---	" " " ( " " ) " ( " ) 195064 with 140281 and 195066 ...

No.	Plate	Description
*195066	---	Three-Pin Terminal (female half) Housing (upper) Ground Contact Prong
*195065	---	" " " ( " " ) " ( " ) Insert
195059	2536	" " " ( " " ) " Snap Ring
140281	2538	" " " ( " " ) " (upper) Ground Contact Prong Screw

### RADIO INTERFERENCE SUPPRESSOR

No.	Plate	Description
198924	2539	Ground Lead Terminal Plug
198925	2539	Insulating Plug for 198927
198926	2539	Lead Insulating Tubing
198414	2538	" Terminal Clip
198837	2539	Radio Interference Suppressor only
198922	2539	" " " Pal Nut
198838	---	" " " Nos. 198837, 198924, 198926 and three 198414
198929	2539	" " " Lead Fastening Clip
198927	2539	" " " complete, Nos. 198838, 198922, 198923, 198925 and 198929

### Singerlight

No.	Plate	Description
193911	2537	Singerlight Lamp Socket
194024	---	" " " 193911 with 193912, 193917, two each 51399K and 193915
193912	2537	" " " Cap
51399k	2537	" " " Screw
701994	2537	" " " Insulating Washer (felt)
51367zb	2537	" " " Screw
193915	2537	" " " Terminal complete
193916	---	" " " Lead
193917	2537	Singer Lead (lead insulated), complete, Nos. 192954, 192955 and 193916
193897	2537	Singerlight Lead Clamping Plate
704r	2537	" " " " Screw
192954	---	" " " Terminal Clip Body
192955	---	" " " " Cap
51401e	2537	" " " Set Screw
193898	2537	" Shade and Lamp Socket Housing with 51401e
193890	2537	" Toggle Switch with 51484j, 51623 and 193919
193893	---	" " " Lead
193892	2537	Singerlight Toggle Switch Lead, complete, Nos. 192954, 192955 and 193893

No.	Plate	Description
192954	---	Singerlight Toggle Switch Lead Terminal Clip Body
192955	---	" " " " " " " " Cap
51484j	2537	" " " " " " " " Screw
193891	2537	Singerlight Toggle Switch with Lead, complete, Nos. 193890 and 193892
51623	2537	Singerlight Toggle Switch Lock Nut
193919	2537	" " " " Thumb Nut
193920	2537	" " " " Insulation
193918	---	Singerlight (less lamp and switch), complete, Nos. 51367zb, 193898, 194024 and 701994
641zj	2537	Singerlight Screw

### SINGERLIGHT LAMP

No.	Plate	Description
194120	2537	Singerlight Lamp

NOTE: In ordering it is necessary to state the exact voltage required.

Example--194120, 240 Volts.

### Bobbin Winder Parts

(The Belt Guard is an Integral Part of the Machine Arm)

No.	Plate	Description
45838	---	Frame
45859	2527	" 45838 with 45860 and 45862
51355x	2527	" Hinge Screw
45775	2527	" " " Friction Washer (under head of screw)
45842	2527	" " " Washer (between frame and belt guard)
*45860	---	Pulley
*45861	---	Spindle
*45862	---	" 45861 with 45836 and 45837
*45836	---	" Bobbin Retaining Spring
*45837	---	" " " " Collar
45857	2527	Tension Bracket
45858	2527	Tension Bracket, complete, Nos. 1607r, 45846, 45847, 45857, 51497zb and two 45845
1423r	2527	Tension Bracket Screw
45845	2527	" Disc
51497zb	2527	" " Screw
1607r	2527	" " " Nut
45846	2527	" " " Washer
45847	2527	" " " Spring

# Attachments and Accessories

950

(Supplied with Machine) *to Great Britain*

No.	Plate						
121464	930	Binder ...	...	...	...	...	...
121441	2533	Gathering Foot (double toe)	...	...	...	...	...
35931	930	Hemmer (adjustable)	...	...	...	...	...
120855	2542	Hemmer Foot, $\frac{5}{8}$ " hem	...	...	...	...	...
15 x 1	---	Needles (6)	...	...	...	...	...
35932	930	Quilter	...	...	...	...	...
45785	2542	Rotating Hook Bobbin (3)	...	...	...	...	...
25537	2542	Screw Driver (machine)	...	...	...	...	...
120378	2542	Screw Driver (tension)	...	...	...	...	...
8879	2526	Spool Pin Washer (cloth)	...	...	...	...	...
120862	2540	Tin of Oil (1 $\frac{1}{2}$ oz.)	...	...	...	...	...
121547	2534	Under Braider ...	...	...	...	...	...
36865	2533	Edge Stitcher ...	...	...	...	...	...

36865  
150

No.	Plate						
25525	2540	Bias Gauge	...	...	...	...	...
120914	2533	Feller (foot)	...	...	...	...	...
120962	2533	Hemmer (foot) flat bottom, for $\frac{1}{4}$ " hem	...	...	...	...	...
25893	2533	" ( " ) for $\frac{1}{4}$ " hem <i>Delete 950</i>	...	...	...	...	...
120290	930	Ruffler	...	...	...	...	...
121170	2534	" Shirring Plate	...	...	...	...	...
36583	2542	Tucker	...	...	...	...	...

## ART WORK AND DARNING

No.	Plate						
85893	2543	Embroidery Foot (for Art Work)	...	...	...	...	...
121309	2540	Feed Cover Plate with 51377a	...	...	...	...	...
51377a	---	" " " Screw	...	...	...	...	...
121091	2534	Darning Foot	...	...	...	...	...
121092	2534	" " Shank	...	...	...	...	...
121093	2534	" " Spring	...	...	...	...	...
121094	2534	Darning Foot (spring), complete, Nos. 121091 to 121093	...	...	...	...	...

## BRAIDER

No.	Plate						
25510	2533	Braider	...	...	...	...	...
25637	2534	" Foot	...	...	...	...	...

## CORDING ATTACHMENT

for guiding the cord under a groove in the presser foot, for cording Sun Bonnets, Blouses, etc.

When ordering, send samples of material and cord, and state the number of cords to the inch.

No.	Plate						
26399	2534	Cording Attachment	...	...	...	...	...

## CORDING FEET

For Stitching on Edge and Inserting Cord

No.	Plate						
15429	2533	Presser Foot (left toe)	...	...	...	...	...
125035	2533	" " (right toe)	...	...	...	...	...

## DARNING PRESSER

No.	Plate						
86493	---	Needle Clamp with 140545k	...	...	...	...	...
140545k	2529	" " Screw	...	...	...	...	...
86494	---	" " Stripper Spring	...	...	...	...	...
86495	---	" " " " Eyelet	...	...	...	...	...
<del>86496</del>	<del>2542</del>	<del>Darning Presser, complete, Nos. 86493 to 86495</del>	...	...	...	...	...

150

## EDGE STITCHER

No.	Plate						
36865	2533	Edge Stitcher <i>Delete 950</i>	...	...	...	...	...

## EMBROIDERY ATTACHMENT

For One Thread

No.	Plate						
*120876	---	Driving Lever with 120877 and two 9859	...	...	...	...	...
22232	---	" " Friction Washer	...	...	...	...	...
26784	---	" " Hinge Stud	...	...	...	...	...
26523	---	" " Washer	...	...	...	...	...
*26524	---	Frame with 26525	...	...	...	...	...
*26525	---	" Block	...	...	...	...	...
26527	2531	Looper	...	...	...	...	...
468c	2531	" Set Screw	...	...	...	...	...

## EMBROIDERY ATTACHMENT

No.	Plate	
26528	2531	Scroll with 468c ... ..
*26529	—	" Carrier with 26531 ... ..
22232	—	" " Friction Washer ... ..
26530	—	" " Hinge Stud ... ..
26531	—	" " Pin ... ..
*26532	—	" Cover ... ..
*26533	—	" Driving Lever with 26534 ... ..
26534	—	" " " Stud ... ..
26535	2531	Spool Pin, for Arm of Machine ... ..
*120877	—	Thread Bracket ... ..
9859	—	" " Rivet ... ..
26537	2531	" Eyelet ... ..
26785	2531	" Retaining Spring ... ..
240j	2531	" " " Screw ... ..
26538	2531	Embroidery Attachment, complete, Nos. 240j, 26523, 26524, 26527 to 26530, 26532, 26533, 26535, 26537, 26784, 26785, 120876 and two 22232... ..

## EMBROIDERY ATTACHMENT

## For Two Threads

No.	Plate	
*35483	—	Body ... ..
*35484	—	" Block ... ..
12152	—	" " Rivet ... ..
*35485	—	Driving Lever ... ..
*35486	—	" " Arm (lower) ... ..
*35487	—	" " " (upper) ... ..
*35488	—	Driving Lever Arm Guide ... ..
35489	—	" " " Hinge Stud ... ..
*35490	—	" " " Spring ... ..
35491	—	" " " Hinge Stud ... ..
*35492	—	Thread Carrier (left) ... ..
35493	—	" " ( " ) Hinge Stud ... ..
*35494	—	" " (right) ... ..
50139b	2531	" " ( " ) Hinge Screw ... ..
*35495	—	" " Friction Plate ... ..
35496	2531	Embroidery Attachment, Nos. 190b, 12152, 35483 to 35488, 35490 to 35495, 35498, 50139b and two 35189 ... ..
190b	2534	Embroidery Attachment Screw ... ..

## EMBROIDERY ATTACHMENT

No.	Plate	
*35497	—	Spool Bracket ... ..
35498	—	" " Stud ... ..
1422b	2531	" " Tension Regulating Thumb Screw ... ..
35499	2531	" " " Spring ... ..
35500	—	" " " " Position Pin ... ..
35500	—	" " " Thread Guide Pin ... ..
*35501	—	" " " Wire ... ..
35502	—	" " " Hinge Stud ... ..
35503	—	" " " " Washer ... ..
35504	2531	Spool Bracket, complete, Nos. 1422b, 35497, 35499, 35502, 35503, two each 35500 and 35501 ... ..
35505	2531	Embroidery Attachment, complete, Nos. 35496 and 35504 ... ..

## HEMSTITCHING AND PICOTING ATTACHMENT

No.	Plate	
121387	2532	Hemstitching and Picoting Attachment with 51347a ... ..
51347a	2532	" " " " Thumb Screw ... ..
121420	2532	" " " " Throat Plate with 121466 and two 121467 ... ..
121466	2532	" " " " " Plate Needle Guide ... ..
121467	2532	" " " " " " " Rivet ... ..
121392	2532	" " " " " " 121420 with 45850 and two 233zj ... ..

## IMITATION HEMSTITCHING ATTACHMENT

No.	Plate	
120687	2533	with Yielding Presser Plate ... ..

## NEEDLE THREADER (UNIVERSAL)

No.	Plate	
121631	2540	Needle Threader Hook ... ..
140157j	2540	" " " Screw ... ..
121632	2540	Needle Threader with 140157j and three 121631 ... ..

**NEEDLE THREADER AND SEAM RIPPER**

No.	Plate	
121631	2540	Needle Threader Hook
140157j	2540	" " " Screw
120982	2540	" " and Seam Ripper Knife Blade
51489j	2540	" " " " " " " Screw
121634	2540	Needle Threader and Seam Ripper, complete, Nos. 51489j, 120982, 140157j and three 121631

**PRESSER FEET**

No.	Plate	
121717	2540	Presser Foot with 36696
35002	2540	" " Extension
35003	2540	" " Graduated Adjustable Guide (long, left)
35004	2540	" " " " " (short, right)
35005	2540	" " " " " (short, right, flush)
35006	2540	" " " " " " " Clamp
35135	2540	" " " " " " " Lever
35206	2540	" " " " " " " Screw
35116	2540	" " " " " " " Steady Pin

**Presser Foot**

for Cording and Slide Fastener Work.

No.	Plate	
121875		Presser Foot
140347w		" " Adjusting Thumb Screw
121876		" " Body
121877		Presser Foot (adjustable for sewing on the right or left side of the needle), complete, Nos. 121875, 121876 and 140347w

NOTE: When ordering No. 35985 state size required.

**EMBROIDERY HOOPS (Plain)  
(BIRCH)**

No.	Plate	
87586		Round, 5½" diam. × 7 <sup>m</sup> / <sub>m</sub> high
96416		" 7" " × 7 <sup>m</sup> / <sub>m</sub> " "
87589	1221	" 8" " × 7 <sup>m</sup> / <sub>m</sub> " "
87593		" 10" " × 7 <sup>m</sup> / <sub>16</sub> " " "
87595		" 12" " × ½" " "
96422	1221	Oval, 9" × 4½" × 7 <sup>m</sup> / <sub>m</sub> high
87597		" 12" × 5½" × 7 <sup>m</sup> / <sub>m</sub> " "

**EMBROIDERY HOOPS (with Clamp)  
(BIRCH)**

No.	Plate	
96417		Round, 5½" diam. × 7 <sup>m</sup> / <sub>m</sub> high, with SS528j, NX95j, two 96425 and four 96427
96418		" 7" " × 7 <sup>m</sup> / <sub>m</sub> " " SS528j, NX95j, two 96426 and four 96427
96419		" 8" " × 7 <sup>m</sup> / <sub>m</sub> " " SS528j, NX95j, two 96426 and four 96427
96420		" 10" " × 7 <sup>m</sup> / <sub>16</sub> " " " SS528j, NX95j, two 96426 and four 96427
96421		" 12" " × ½" " " SS528j, NX95j, two 96844 and four 96845
96423		Oval, 9" × 11" × 7 <sup>m</sup> / <sub>m</sub> high, with SS528j, NX95j, 96425, 96426 and four 96427
96424		" 12" × 5½" × 7 <sup>m</sup> / <sub>m</sub> " " SS528j, NX95j, 96425, 96426 and four 96427
96425	2399	Clamping Bracket for 96417, 96423 and 96424
96426	2399	" " " 96418 to 96420, 96423 and 96424
96844	2399	" " " 96421
96427	2399	" " Rivet for 96417 to 96420, 96423 and 96424
96845	2399	" " " 96421
SS528j	2399	" " Screw
NX95j	2399	" " Nut

**Portable Carrying Case  
No. 45832**

No.	Plate	
136148	2541	Cover Hinge with four 136149
136149	2541	" " Rivet ⅝", for 136148
136150	2541	" Lock (left) with four 136145
136189	2541	" " (right) with four 136145
136151	2541	" " Hasp with two 136145
136145	2541	" " Rivet ⅝", for 136151
136152	2541	" " Key
136145	2541	" " Rivet ⅝", for 136150 and 136189
124446	2541	Dome (bottom)
136359		Handle, for 136361
136360		" Post, complete, for 136361
136361	2541	Handle, complete, Nos. 136359 and two 136360
96947		Oil Holder (wire) with two wood screws ⅜" No. 8 R.H.
100401	2541	Tray with 136082 and 136084
136082	2541	" Hole Cover with two 136067 and three 136066, for 100401
136084	2541	" " " " two each 136066 and 136067, for 100401
136067	2541	" " " Rivet 1", for 136082 and 136084
136066	2541	" " " Rivet ⅝", for 136082 and 136084

## Numerical List of Parts

No.	Plate	
XX95j	2399	Embroidery Hoop Clamping Bracket Screw Nut, for 96417 to 96421, 96423 and 96424
145r	2537	Three-Pin Terminal Body (male half) Screw
171al	2525	Feed Lifting Connecting Rod Cap Screw for 45725 ... ..
190j	2534	Corder Screw for 26399 ... ..
190b	2534	Embroidery Attachment Screw for 35496 ...
208al	2528	Feed Dog Screw ... ..
233zj	2532	Rotating Hook Bobbin Case Position Plate Screw ... ..
233zj	2532	Hemstitching and Picoting Attachment Throat Plate Screw ... ..
240j	2531	Embroidery Attachment Thread Retaining Spring Screw for 26538 ... ..
248za	2525	Clamp Stop Motion Clamp Stop Screw ...
315c	2528	Feed Bar Screw Centre for 15445 ... ..
330r	2527	Arm Top Cover Screw ... ..
335zb	2527	Slack Thread Regulator and Tension Thread Guide Screw ... ..
337d	2540	Presser Foot Graduated Adjustable Guide Clamp Screw for 121718 ... ..
447c	2525	Rotating Hook Collar and Counterbalance Set Screw for 45833 ... ..
448c	2525	Feed Lifting Rock Shaft Centre (left) Set Screw ... ..
448c	2525	Feed Lifting Rock Shaft Centre (right) Set Screw ... ..
448c	2525	Feed Rock Shaft Centre (left) Set Screw ...
448c	2525	Feed Rock Shaft Centre (right) Set Screw ...
448c	2525	Rotating Hook Shaft Bushing (back) Set Screw for 45856 ... ..
448c	2525	Rotating Hook Shaft Bushing (front) Set Screw for 45856 ... ..
453c	2529	Presser Bar Guide Bracket Set Screw for 45742 ... ..
457c	2527	Tension Stud Set Screw ... ..
462c	2525	Needle Bar Bushing (upper) Set Screw ...
462al	2525	Rotating Hook Set Screw for 45827
468c	2531	Embroidery Attachment Loper Set Screw for 26528 ... ..
SS528j	2399	Embroidery Hoop Clamping Bracket Screw for 96417 to 96421, 96423 and 96424 ...
641zj	2537	Singerlight Screw ... ..
691za	2528	Throat Plate Screw ... ..
704r	2537	Singerlight Lead Clamping Plate Screw ...
999c	2528	Feed Bar Connecting Link Hinge Screw ...



No.	Plate	
1036al	2530	Thread Take-up Crank Set Screw for 45740 ...
1085e	2525	Feed Forked Connection Roller Screw Stud for 1832 ...
1134al	2525	Needle Bar Crank Position Screw for 45740 ...
1259e	2525	Arm Shaft (horizontal) Bevel Gear Set Screw for 45881 ...
1259e	2525	Arm Shaft (upright) Bevel Gear (lower) Set Screw for 45852 ...
1259e	2525	Arm Shaft (upright) Bevel Gear (upper) Set Screw for 45853 ...
1259e	2525	Rotating Hook Shaft Bevel Gear Set Screw for 45854 ...
1122b	2531	Embroidery Attachment Spool Bracket Tension Regulating Thumb Screw for 35504 ...
1123r	2527	Bobbin Winder Tension Bracket Screw ...
1519r	2528	Feed Bar Screw Centre Nut for 15145 ...
1520j	2525	Feed Lifting Connecting Rod Hinge Screw Nut ...
1520j	2525	Feed Forked Connection Hinge Screw Nut ...
1607j	2527	Controller Resistance Unit Bell Crank Hinge Screw Nut for 194418 ...
1607j	2527	Controller Resistance Unit Yoke Hinge Screw Nut for 194418 ...
1607r	2527	Bobbin Winder Tension Disc Screw Nut for 45858 ...
1735e	2525	Feed Reversing Handle Lock Nut ...
1768r	2536	Three Pin Terminal (female half) Housing Screw Nut for 194521 and 195062 ...
1832	2525	Feed Forked Connection Roller with 1085e, for 45754 ...
2102	2527	Tension Disc for 45871 ...
8217	2525	Feed Regulator Hinge Screw Friction Washer
8422	2527	Thread Guard (head of arm, upper) ...
8879	2526	Arm Top Cover Spool Pin Washer (cloth) ...
8879	2526	Bed Cover Plate (bottom) Screw Thumb Nut Washer (cloth) ...
8905	2535	Motor Screw Washer ...
9046	2525	Arm Dowel Pin ...
9859		Embroidery Attachment Thread Bracket Rivet for 120876 ...
12152		Embroidery Attachment Body Block Rivet for 35496 ...
15405		Trade Mark Rivet for 45814 ...
15429	2533	Presser Foot (left toe) for stitching on edge and inserting cord ... (Attachments)
15445		Feed Bar Screw Centre 315c with 1519r ...

No.	Plate	
22232		Embroidery Attachment Driving Lever Friction Washer for 26538 ...
22232		Embroidery Attachment Scroll Carrier Friction Washer for 26538 ...
23258	2538	Controller Resistance Unit Screw Washer (steel) for 194569 to 194571 ...
25510	2533	Braider ... (Attachments)
25525	2540	Bias Gauge ... (Attachments)
25537	2542	Screw Driver (machine) ... (Accessories)
25637	2534	Braider Foot ... (Attachments)
25893	2533	Hemmer (foot) for 1" hem ... (Attachments)
25978	2533	Presser Foot (single toe) for gathering ... (Attachments)
26075	2529	Thread Cutter and Holder ...
26399	2534	Cording Attachment for guiding the cord under a groove in the presser foot, for cording Sun Bonnets, Blouses, etc. ... (Attachments)
26523		Embroidery Attachment Driving Lever Washer for 26538 ...
26524		Embroidery Attachment Frame with 26525, for 26538 ...
26525		Embroidery Attachment Frame Block for 26524 ...
26527	2531	Embroidery Attachment Loper for 26538 ...
26528	2531	Embroidery Attachment Scroll with 468c, for 26538 ...
26529		Embroidery Attachment Scroll Carrier with 26531, for 26538 ...
26530		Embroidery Attachment Scroll Carrier Hinge Stud for 26538 ...
26531		Embroidery Attachment Scroll Carrier Pin for 26529 ...
26532		Embroidery Attachment Scroll Cover for 26538 ...
26533		Embroidery Attachment Scroll Driving Lever with 26534, for 26538 ...
26534		Embroidery Attachment Scroll Driving Lever Stud for 26533 ...
26535	2534	Embroidery Attachment Spool Pin for Arm of Machine, for 26538 ...
26537	2534	Embroidery Attachment Thread Eyelet for 26538 ...
26538	2534	Embroidery Attachment, complete, for one thread, Nos. 240j, 26523, 26524, 26527 to 26530, 26532, 26533, 26535, 26537, 26784, 26785, 120876 and two 22232 ...

No.	Plate	
26784		Embroidery Attachment Driving Lever Hinge Stud for 26538
26785	2531	Embroidery Attachment Thread Retaining Spring for 26538
32519	2529	Needle Stop Pin for 45734
33624	2529	Pressure Regulating Thumb Screw Extension Pin for 45813
33660	2529	Tension Releasing Lever Spring
35002	2540	Presser Foot Extension for 121718
35003	2540	Presser Foot Graduated Adjustable Guide (long, left) for 121718
35004	2540	Presser Foot Graduated Adjustable Guide (long, right) for 121718
35005	2540	Presser Foot Graduated Adjustable Guide (short, right) for 121718
35006	2540	Presser Foot Graduated Adjustable Guide (short, right, flush) for 121718
35135	2540	Presser Foot Graduated Adjustable Guide Clamp for 121718
35206	2540	Presser Foot Graduated Adjustable Guide Clamp Lever for 121718
*35483		Embroidery Attachment Body for 35496
*35484		Embroidery Attachment Body Block for 35496
*35485		Embroidery Attachment Driving Lever for 35496
*35486		Embroidery Attachment Driving Lever Arm (lower) for 35496
*35487		Embroidery Attachment Driving Lever Arm (upper) for 35496
*35488		Embroidery Attachment Driving Lever Arm Guide for 35496
35489		Embroidery Attachment Driving Lever Arm Hinge Stud for 35496
*35490		Embroidery Attachment Driving Lever Arm Spring for 35496
35491		Embroidery Attachment Driving Lever Hinge Stud for 35496
*35492		Embroidery Attachment Thread Carrier (left) for 35496
35493		Embroidery Attachment Thread Carrier (left) Hinge Stud for 35496
*35494		Embroidery Attachment Thread Carrier (right) for 35496

No.	Plate	
*35495	---	Embroidery Attachment Thread Carrier Friction Plate for 35496
35496	2531	Embroidery Attachment, Nos. 1900b, 12152, 35483 to 35488, 35490 to 35495, 35498, 50139b and two 35489, for 35505
*35497	---	Embroidery Attachment Spool Bracket for 35504
35498	---	Embroidery Attachment Spool Bracket Stud for 35496
35499	2531	Embroidery Attachment Spool Bracket Tension Spring for 35504
35500		Embroidery Attachment Spool Bracket Tension Spring Position Pin for 35504
35500	---	Embroidery Attachment Spool Bracket Thread Guide Pin for 35504
*35501	---	Embroidery Attachment Spool Bracket Wire for 35504
35502	---	Embroidery Attachment Spool Bracket Wire Hinge Stud for 35504
35503		Embroidery Attachment Spool Bracket Wire Hinge Stud Washer for 35504
35504	2531	Embroidery Attachment Spool Bracket complete, Nos. 1422b, 35497, 35499, 35502, 35503, two each 35500 and 35501, for 35505
35505	2531	Embroidery Attachment, complete, for two threads, Nos. 35496 and 35504
35931	930	Hemmer (adjustable) (Accessories)
35932	930	Quilter (Accessories)
35985	2534	Tubular Trimming Attachment complete, for making $\frac{3}{8}$ ", $\frac{1}{2}$ " and $\frac{5}{8}$ " Trimmings (Attachments)
36583	2542	Tucker (Attachments)
36696	2540	Presser Foot Graduated Adjustable Guide Clamp Steady Pin, for 121717
36865	2533	Edge Stitcher (Attachments)
45319		Presser Foot Plate for 45321
45320		Presser Foot Shank for 45321
45321	2529	Presser Foot (hinged), complete, Nos. 45319, 45320 and 45329
45329	2529	Presser Foot Hinge Pin for 45321
45339	2527	Tension Regulating Thumb Nut Engaging Pin for 51681zb
*45701	---	Arm for 45814
45704	2525	Arm Shaft (horizontal) Bushing for 45814
45705	2525	Arm Shaft (upright)

No.	Plate	
45706	2525	Arm Shaft (upright) Bushing (lower) for 45814 ... ..
45707	2525	Arm Shaft (upright) Bushing (upper) for 45814 ... ..
45708	2527	Arm Top Cover for 45795 ... ..
45709	2527	Arm Top Cover Spool Pin for 45795 ... ..
45712	-	Bed Cover Plate (bottom) for 45800 ... ..
45713	2526	Bed Extension ... ..
45714	2526	Bed Extension Hinge Screw Friction Washer ... ..
45716	2525	Clamp Stop Motion Clamp Washer ... ..
45717	2525	Clamp Stop Motion Flanged Bushing for 45765 ... ..
45718	-	Face Plate for 45719 ... ..
45719	2527	Face Plate 45718 with 45842 and 139615 ... ..
45721	2528	Feed Bar ... ..
45722	2528	Feed Bar Connecting Link ... ..
45723	2528	Feed Bar Connecting Link Hinge Stud ... ..
45724	2525	Feed Cam and Feed Lifting Eccentric with 50275c ... ..
45725	2525	Feed Lifting Connecting Rod with 45726 and two 171al ... ..
*45726	2530	Feed Lifting Connecting Rod Cap for 45725
45727	2525	Feed Forked Connection for 45754 ... ..
45728	2528	Feed Lifting Rock Shaft ... ..
45729	2528	Feed Lifting Rock Shaft Centre (left) ... ..
45729	2528	Feed Rock Shaft Centre (left) ... ..
45730	2528	Feed Lifting Rock Shaft Centre (right) ... ..
45730	2528	Feed Rock Shaft Centre (right) ... ..
45731	2525	Feed Regulator ... ..
45732	2525	Feed Reversing Handle for 45794 ... ..
45733	2528	Feed Rock Shaft ... ..
45734	2529	Needle Bar (hollow) with 32519 ... ..
*45735	2530	Needle Bar Bushing (lower) for 45814 <i>No Canceled</i>
45736	2529	Needle Bar Bushing (upper) ... ..
45739	2529	Needle Bar Connecting Stud with 51363c, for 45819 ... ..
45740	2525	Needle Bar Crank with 1036al and 1131al for 45886 ... ..
45741	2529	Presser Bar ... ..
45742	2529	Presser Bar Guide Bracket with 453c ... ..
45744	2529	Presser Bar Lifter Hinge Pin ... ..
45745	2529	Presser Bar Spring for 45813 ... ..
*45750	-	Rotating Hook Bobbin Case for 45751 ... ..
45751	2525	Rotating Hook Bobbin Case, complete, Nos. 45750, 45789, 200592c, 200964e, 201016f, 206736 and 210736, for 45830 ... ..

No.	Plate	
45752	2525	Rotating Hook Bobbin Case Base for 45829
45754		Feed Forked Connection 45727 with 1832 ... ..
45759	2525	Rotating Hook Shaft Bushing (back) for 45856
45760	2525	Rotating Hook Shaft Bushing (front) for 45956
45761	2525	Rotating Hook Loop Guard for 45829 ... ..
45763	2525	Stitch Indicator Plate ... ..
45764	2529	Tension Releasing Lever <i>45909</i> ... ..
45765		Clamp Stop Motion Flanged Bushing 45717 with 51350zb ... ..
45771	2529	Thread Take up Lever Link Hinge Screw Washer for 45823 ... ..
45772	2528	Throat Plate for 45788 ... ..
*45773		Trade Mark for 45814 ... ..
45775	2527	Bobbin Winder Frame Hinge Screw Friction Washer (under head of screw) ... ..
45780	2526	Bed Cushion (rubber) ... ..
45782	2527	Thread Guard (head of arm, lower) ... ..
45785	2542	Rotating Hook Bobbin ... ..
45788	2528	Feed Dog, 12 teeth (11 teeth to the inch) for 45772 ... ..
45789	2525	Rotating Hook Bobbin Case Tension Spring for 45751 ... ..
45794		Feed Reversing Handle 45732 with 51622zb
45795	2527	Arm Top Cover 45708 with 45709 ... ..
45798	2526	Bed Extension Hinge Screw Washer ... ..
*45799	-	Bed Cover Plate (bottom) Felt for 45800 ... ..
45800	2526	Bed Cover Plate (bottom) 45712 with 45799
45807	2528	Rotating Hook Bobbin Case Position Plate Spring (back) for 45850 ... ..
45808	2528	Rotating Hook Bobbin Case Position Plate Spring (front) for 45850 ... ..
45812	2527	Bobbin Winder Frame Hinge Screw Washer (between frame and belt guard) ... ..
45813		Presser Bar Spring 45745 with 33624 <i>150</i>
*45814		Arm 45701 with 45706, 45707, <del>45795</del> , 45773, two each 45405 and 45704 ... ..

*NOTE: Due to the accuracy required for gear alignment, Arm cannot be supplied separately and can only be sent as a unit, Arm and Bed assembled.*

45817	2525	Balance Wheel ... ..
45818	2529	Needle Bar Connecting Link for 45819 ... ..
45819		Needle Bar Connecting Link 45818 with 45739, for 45823 ... ..
45820	2529	Thread Take-up Crank for 45823 ... ..
*45821	2529	Thread Take-up Lever for 45822 ... ..
45822		Thread Take-up Lever, complete, Nos. 45821, 45821 and 45825, for 45823 ... ..

No.	Plate	
45823		Thread Take-up Lever 45822 with 45771, 45819, 45820, 50057c and 140465e ...
*45824	2529	Thread Take-up Lever Hinge Stud for 45822
*45825	2529	Thread Take-up Lever Link for 45822 ...
45826	2527	Spool Holder Spring ...
45827	2525	Rotating Hook with two 462a, for 45828 and 45829 ...
45828		Rotating Hook 45827 with 45831, 200596f and 200614c (for Agents only) ...
45829		Rotating Hook 45827 with 45752, 45761, 45831, 200145c, 200596f and 200614c, for 45830
45830	2525	Rotating Hook and Bobbin Case, complete, Nos. 45751 and 45829 ...
45831	2525	Rotating Hook Gib for 45828 and 45829 ...
45832	2541	Portable Carrying Case, complete ...
45833	2525	Rotating Hook Collar and Counterbalance with 417c ...
45834	2525	Rotating Hook Shaft ...
*45836		Bobbin Winder Spindle Bobbin Retaining Spring for 45862 ...
*45837		Bobbin Winder Spindle Bobbin Retaining Spring Collar for 45862 ...
45838		Bobbin Winder Frame for 45859 ...
45842	2527	Face Plate Thread Guard (lower) 45875 with 125424, for 45719 ...
45845	2527	Bobbin Winder Tension Disc for 45858 ...
45846	2527	Bobbin Winder Tension Disc Screw Washer for 45858 ...
45847	2527	Bobbin Winder Tension Disc Spring for 45858
45849	2528	Rotating Hook Bobbin Case Position Plate for 45850 ...
45850	2532	Rotating Hook Bobbin Case Position Plate 45849 with 45807, 45808 and two 51159j
45852	2525	Arm Shaft (upright) Bevel Gear (lower) with two 1259c for 45901 ...
45853	2525	Arm Shaft (upright) Bevel Gear (upper) with two 1259c for 45900 ...
45854	2525	Rotating Hook Shaft Bevel Gear with two 1259c for 45901 ...
*45855		Bed for 45856 ...
*45856		Bed 45855 with 45759, 45760 and two 448c ...
<i>NOTE: Due to the accuracy required for gear alignment, Arm cannot be supplied separately and can only be sent as a unit, Arm and Bed assembled.</i>		
45857	2527	Bobbin Winder Tension Bracket for 45858 ...
45858	2527	Bobbin Winder Tension Bracket, complete, Nos. 1607r, 45846, 45847, 45857, 514972b and two 45845 ...

No.	Plate	
45859	2527	Bobbin Winder Frame 45838 with 45860 and 45862 ...
*45860		Bobbin Winder Pulley for 45859 ...
*45861		Bobbin Winder Spindle for 45862 ...
*45862		Bobbin Winder Spindle 45861 with 45836 and 45837 for 45859 ...
45863	2527	Slack Thread Regulator and Tension Thread Guide ...
45864	2527	Tension Indicator Flange for 45871 ...
45865	2527	Tension Indicator Flange Stop Washer for 45871 ...
45866	2527	Tension Indicator for 45871 ...
45868	2527	Tension Releasing Pin for 45871 ...
45869	2527	Tension Spring for 45871 ...
45870		Tension Stud 140167zb with 51681zb, for 45871 ...
45871	2527	Tension (graduated), complete, Nos. 45864 to 45866, 45868 to 45870, 45873, 66774 and two 2102 ...
45873	2527	Thread Take-up Spring Thread Guard for 45871
45874	2527	Face Plate Thread Guard (upper) for 139615
45875	2530	Face Plate Thread Guard (lower) for 45842 ...
45877	2530	Needle Clamp Body with 140545c, for 45878
45878	2529	Needle Clamp Body 45877 with 51308zj ...
45879	2529	Needle Clamp Gib and Thread Guard ...
45880	2525	Arm Shaft (horizontal) for 45886 ...
45881	2525	Arm Shaft (horizontal) Bevel Gear with 1259c and 140333c for 45900 ...
45886		Arm Shaft (horizontal) 45880 with 45740 ...
45900		Set of Mated Gears (upper shaft), complete, Nos. 45853 and 45884 ...
45901		Set of Mated Gears (lower shaft), complete,
45909		Tension Releasing Lever <sup>sl</sup> ...
45910	2529	Presser Bar Lifter ...
50053b	2530	Under Braider Screw for 121547 ...
50054zb	2529	Pressure Regulating Thumb Screw ...
50057c	2529	Thread Take-up Lever Link Hinge Screw for 45823 ...
50116c	2526	Bed Cushion Screw ...
50139b	2534	Embroidery Attachment Thread Carrier (right) Hinge Screw for 35496 ...
50275c	2525	Feed Cam and Feed Lifting Eccentric Set Screw for 45724 ...
50353c	2525	Feed Regulator Hinge Screw ...
50684zb	2527	Face Plate Thumb Screw ...
51093r	2536	Three-Pin Terminal (female half) Housing Screw for 194524 and 195062 ...

No.	Plate	
51159j	2528	Rotating Hook Bobbin Case Position Plate Spring Screw for 45850
51207r	2535	Motor Pulley Set Screw for 195436
51208r	2535	Motor Screw
51308zj	2529	Needle Clamp Position Screw for 45878
51340c	2536	Controller Resistance Unit Bell Crank Hinge Screw for 194418
51340c	2536	Controller Resistance Unit Yoke Hinge Screw for 194418
51347a	2532	Hemstitching and Pivoting Attachment Thumb Screw for 121387
51350zb	2525	Clamp Stop Motion Clamp Screw for 45765
51351c	2525	Clamp Stop Motion Flanged Bushing Screw
51352c	2525	Feed Lifting Connecting Rod Hinge Screw (eccentric)
51353c	2525	Feed Forked Connection Hinge Screw (eccentric)
51354c	2529	Tension Releasing Lever Hinge Screw
51355x	2527	Bobbin Winder Frame Hinge Screw
51361r	2526	Bed Cover Plate (bottom) Screw
51363e	2529	Needle Bar Connecting Stud Clamping Screw for 45739
51367zb	2537	Singerlight Lamp Socket Screw for 193918
51369r	2535	Field Coil Lead Clamp Screw
51377a	2540	Feed Cover Plate Screw for 121309
51380r	2526	Bed Extension Hinge Screw
51384zb	2525	Stitch Indicator Plate Screw
51399k	2537	Singerlight Lamp Socket Cap Screw for 194024
51401e	2537	Singerlight Lead Set Screw for 193898
51472e	2525	Arm Screw
51484j	2537	Singerlight Toggle Switch Lead Terminal Screw for 193890
51489j	2540	Needle Threader and Seam Ripper Knife Blade Screw for 121634
51497zb	2527	Bobbin Winder Tension Disc Screw for 45858
51582	2537	Three-Pin Terminal Body (male half) Post Thumb Nut for 192797
51621r	2526	Bed Cover Plate (bottom) Screw Thumb Nut
51622zb	2525	Stitch Regulating Thumb Nut for 45794
51623	2537	Singerlight Toggle Switch Lock Nut for 193890
51681zb	2527	Tension Regulating Thumb Nut with 45339 for 45870
66774	2527	Thread Take-up Spring for 45871
85893	2542	Embroidery Foot (for Art Work)

(Attachments)

No.	Plate	
<del>86403</del>		<del>Darning Presser Needle Clamp with 140545k for 86406</del>
<del>86404</del>		<del>Darning Presser Needle Clamp Stripper Spring for 86406</del>
<del>86405</del>		<del>Darning Presser Needle Clamp Stripper Spring Eyelet for 86406</del>
<del>86406</del>	2542	<del>Darning Presser, complete, Nos. 86403 to 86495 (Attachments)</del>
87586		Embroidery Hoop (round, birch), 5 $\frac{3}{8}$ " diam., 7 $\frac{m}{m}$ high
87589	1221	Embroidery Hoop (round, birch), 8" diam., 7 $\frac{m}{m}$ high
87593		Embroidery Hoop (round, birch), 10" diam., $\times \frac{7}{16}$ " high
87595		Embroidery Hoop (round, birch), 12" diam., $\times \frac{1}{2}$ " high
87597		Embroidery Hoop (oval, birch), 12" $\times$ 5 $\frac{1}{2}$ " 7 $\frac{m}{m}$ high
96416		Embroidery Hoop (round, birch), 7" diam., $\times 7\frac{m}{m}$ high
96417		Embroidery Hoop (round, birch), 5 $\frac{3}{8}$ " diam., $\times 7\frac{m}{m}$ high with SS528j, NN95j, two 96425 and four 96427
96418		Embroidery Hoop (round, birch), 7" diam., $\times 7\frac{m}{m}$ high with SS528j, NN95j, two 96426 and four 96427
96419		Embroidery Hoop (round, birch), 8" diam., 7 $\frac{m}{m}$ high with SS528j, NN95j, two 96426 and four 96427
96420		Embroidery Hoop (round, birch), 10" diam., $\times \frac{7}{16}$ " high with SS528j, NN95j, two 96426 and four 96427
96421		Embroidery Hoop (round, birch), 12" diam., $\times \frac{1}{2}$ " high with SS528j, NN95j, two 96844 and four 96845
96422	1221	Embroidery Hoop (oval, birch) 9" $\times$ 4 $\frac{1}{2}$ " $\times$ 7 $\frac{m}{m}$ high
96423		Embroidery Hoop (oval, birch), 9" $\times$ 4 $\frac{1}{2}$ " $\times$ 7 $\frac{m}{m}$ high with SS528j, NN95j, 96425, 96426 and four 96427
96424		Embroidery Hoop (oval, birch), 12" $\times$ 5 $\frac{1}{2}$ " 7 $\frac{m}{m}$ high with SS528j, NN95j, 96425, 96426 and four 96427
96425	2399	Embroidery Hoop Clamping Bracket for 96417, 96423 and 96424
96426	2399	Embroidery Hoop Clamping Bracket for 96418 to 96420, 96423 and 96424

No.	Plate	
96427	2399	Embroidery Hoop Clamping Bracket Rivet for 96417 to 96420, 96423 and 96424 ...
96844	2399	Embroidery Hoop Clamping Bracket for 96421 ...
96845	2399	Embroidery Hoop Clamping Bracket Rivet for 96421 ...
96947		Carrying Case Oiler Holder (wire) with two wood screws $\frac{3}{8}$ " No. 8 R.H., for 45832 ...
100401	2541	Carrying Case Tray with 136082 and 136084, for 45832 ...
120290	930	Ruffler ... (Attachments)
120378	2542	Screw Driver (tension) ... (Accessories)
120687	2533	Imitation Hemstitching Attachment with Yielding Presser Plate ... (Attachments)
120824	2534	Tubular Trimming Attachment Strip Wire for 35985 ...
120855	2542	Hemmer (foot) flat bottom for $\frac{3}{4}$ " hem ... (Accessories)
120862	2540	Tin of Oil ( $1\frac{1}{2}$ oz.) ... (Accessories)
*120876		Embroidery Attachment Driving Lever with 120877 and two 9859, for 26538 ...
*120877		Embroidery Attachment Thread Bracket for 120876 ...
120914	2533	Feller (foot) ... (Attachments)
120962	2533	Hemmer (foot) flat bottom for $\frac{1}{4}$ " hem ... (Attachments)
120982	2540	Needle Threader and Seam Ripper Knife Blade for 121634 ...
121091	2534	Darning Foot for 121094 ...
121092	2534	Darning Foot Shank for 121094 ...
121093	2534	Darning Foot Spring for 121094 ...
121094	2534	Darning Foot (spring), complete, Nos. 121091 to 121093 ... (Attachments)
121170	2534	Ruffler Shirring Plate ... (Attachments)
121309	2540	Feed Cover Plate with 51377a ... (Attachments)
121387	2532	Hemstitching and Picoting Attachment with 51347a ... (Attachments)
121392	2532	Hemstitching and Picoting Attachment Throat Plate 121420 with 45850 and two 233zj, for 121387 ...
121420	2532	Hemstitching and Picoting Attachment Throat Plate with 121466 and two 121467, for 121392 ...
121441	2533	Gathering Foot (double toe) ... (Accessories)
121464	930	Binder, complete ... (Accessories)

No.	Plate	
121466	2532	Hemstitching and Picoting Attachment Throat Plate Needle Guide for 121420 ...
121467	2532	Hemstitching and Picoting Attachment Throat Plate Needle Guide Rivet for 121420 ...
121547	2534	Under Braider ... (Accessories)
121631	2540	Needle Threader Hook for 121632 and 121634
121632	2540	Needle Threader (universal), with 140157j and three 121631 ...
121634	2540	Needle Threader and Seam Ripper, complete, Nos. 51489j, 120982, 140157j and three 121631 ...
121875		Presser Foot for 121877 ...
121876		Presser Foot Body for 121877 ...
121877		Presser Foot (adjustable for sewing on the right or left side of the needle), complete, Nos. 121875, 121876 and 140347w, for Cording and Slide Fastener Work ...
125035	2533	Presser Foot (right toe) for stitching on edge and inserting cord ... (Attachments)
125424	2527	Face Plate Thread Guard (lower) Rivet for 45842 ...
125424	2527	Face Plate Thread Guard (upper) Rivet for 139615 ...
136066	2541	Carrying Case Tray Hole Cover Rivet $\frac{3}{16}$ " for 136082 and 136084 ...
136067	2541	Carrying Case Tray Hole Cover Rivet $\frac{1}{4}$ " for 136082 and 136084 ...
136082	2541	Carrying Case Tray Hole Cover with two 136067 and three 136066 for 100401 ...
136084	2541	Carrying Case Tray Hole Cover with two each 136066 and 136067, for 100401 ...
136145	2541	Carrying Case Cover Lock Hasp Rivet $\frac{3}{16}$ " for 136151 ...
136145	2541	Carrying Case Cover Lock Rivet $\frac{3}{16}$ " for 136150 and 136189 ...
136148	2541	Carrying Case Cover Hinge with four 136149, for 45832 ...
136149	2541	Carrying Case Cover Hinge Rivet $\frac{3}{16}$ " for 136148
136150	2541	Carrying Case Cover Lock (left) with four 136145, for 45832 ...
136151	2541	Carrying Case Cover Lock Hasp with two 136145, for 45832 ...
136152	2541	Carrying Case Cover Lock Key, for 45832 ...
136189	2541	Carrying Case Cover Lock (right) with four 136145, for 45832 ...

No.	Plate	
136359	---	Carrying Case Handle for 136361 ... ..
136360	---	Carrying Case Handle Post, complete, for 136361 ... ..
136361	2541	Carrying Case Handle, complete, Nos. 136359 and two 136360, for 45832 ... ..
139615	---	Face Plate Thread Guard (upper) 45874 with 125424 for 45719 ... ..
140099r	2536	Controller Base Screw for 191583 to 191585 and 198928 ... ..
140100r	2538	Controller Resistance Unit Bell Crank Spring Bracket Screw for 191569 to 191571 ... ..
140103r	2536	Controller Resistance Unit Screw for 191569 to 191571 ... ..
140157j	2510	Needle Threader Hook Screw for 121632 and 121634 ... ..
140167zb	2527	Tension Stud for 45870 ... ..
<i>150</i> 140347w		Presser Foot Thumb Screw ... .. Presser Foot Adjusting Thumb Screw for 121877 ... .. 195063 ... ..
140333c	2538	Arm Shaft (horizontal) Bevel Gear ... .. Screw, for 45881 ... ..
140445	2535	End Cover Fastening Screw ... ..
140465e	2529	Thread Take-up Lever Cap Screw for 45823 ... ..
140545ze	2529	Needle Clamp Thumb Screw for 45877 ... ..
<i>150</i> <del>140545k</del>	<del>2529</del>	<del>Needle Clamp Screw for 86493 ... ..</del>
190613	2540	Tube filled with Singer Lubricant for Electric Motors ... ..
191097	2535	Armature Shaft Thrust Washer (dibret) ... ..
191098	2535	Armature Shaft Thrust Washer (paper) ... ..
191960	---	Controller Lead Terminal Clip Body (Controller end) for 191575 and 195093 ... ..
191961	---	Controller Lead Terminal Clip Body Cap (controller end) for 191575 and 195093 ... ..
192140	2536	Controller Resistance Unit for 95 to 115 volts, for 191570 ... ..
192141	---	Controller Resistance Unit for 150 to 250 volts, for 191571 ... ..
192211	---	Controller Resistance Unit, for 32 to 55 volts, for 191569 ... ..
192424	2535	Field Coil Retainer <i>obsolete</i> ... ..
192457	2535	Brush (carbon, $\frac{7}{32}$ " sq.), for C.A.K. 6-3, C.A.K. 6-3 S.L., C.A.K. 6-5, C.A.K. 6-5 S.L., C.A.K. 6-6, C.A.K. 6-6 S.L., C.A.K. 6-7, C.A.K. 6-7 S.L., C.A.K. 6-8, C.A.K. 6-8 S.L., C.A.K. 6-11, C.A.K. 6-11 S.L., C.A.K. 6-15 and C.A.K. 6-15 S.L. Motors ... ..

No.	Plate	
192458	2535	Brush Spring ... ..
*192614	-	Three-Pin Terminal (female half) Housing (lower) for 194521 ... ..
192691	-	Three-Pin Terminal (female half) Insert Sleeve for 194521 ... ..
192692	2538	Three-Pin Terminal (female half) Insert Clamp for 194521 ... ..
192797	2537	Three-Pin Terminal Body (male half), complete, Nos. 193700, three each 51582 and 701719 ... ..
192954	---	Singerlight Lead Terminal Clip Body, for 193917 ... ..
192954	---	Singerlight Toggle Switch Lead Terminal Clip Body, for 193892 ... ..
192955	---	Singerlight Lead Terminal Clip Body Cap, for 193917 ... ..
192955	---	Singerlight Toggle Switch Lead Terminal Clip Body Cap, for 193892 ... ..
193536	2535	Commutator, complete ... ..
*193700	---	Three-Pin Terminal Body (male half), for 192797 ... ..
193799	---	Brush (carbon, $\frac{7}{32}$ " sq.), for C.A.K. 6-9, C.A.K. 6-9 S.L., C.A.K. 6-10, C.A.K. 6-10 S.L., C.A.K. 6-11, C.A.K. 6-11 S.L., C.A.K. 6-12 and C.A.K. 6-12 S.L. Motors ... ..
193879	2535	Field Core, complete ... ..
193890	2537	Singerlight Toggle Switch with 51484j, 51623 and 193919, for 193891 ... ..
193891	2537	Singerlight Toggle Switch with Lead, complete, Nos. 193890 and 193892 ... ..
193892	2537	Singerlight Toggle Switch Lead, complete, Nos. 192954, 192955 and 193893, for 193891 ... ..
193893	-	Singerlight Toggle Switch Lead, for 193892 ... ..
193897	2537	Singerlight Lead Clamping Plate ... ..
193898	2537	Singerlight Shade and Lamp Socket Housing with 51401e, for 193918 ... ..
193907	2538	Commutator Oil Slings ... ..
193908	2535	Field Coil Lead Clamp ... ..
193909	2535	Field Coil Lead Clamp Insulation ... ..
193910	2535	Field Coil Lead Clamp Insulating Plate ... ..
193911	2537	Singerlight Lamp Socket for 194024 ... ..
193912	2537	Singerlight Lamp Socket Cap for 194024 ... ..
193915	2537	Singerlight Lamp Socket Terminal, complete, for 194024 ... ..
193916	---	Singerlight Lead, for 193917 ... ..
193917	2537	Singerlight Lead (lead insulated), complete, Nos. 192954, 192955 and 193916, for 194024 ... ..

5/51  
196168

No.	Plate	
193918	-	Singerlight (less lamp and switch), complete, Nos. 51367zb, 193898, 194024 and 701994
193919	2537	Singerlight Toggle Switch Thumb Nut, for 193890
193920	2537	Singerlight Toggle Switch Insulation
193993	2535	Motor Lead Tube
194024	-	Singerlight Lamp Socket 193911 with 193912, 193917, two each 51399k and 193915, for 193918
194113	2535	Brush Holder Tube
194120	2537	Singerlight Lamp
<i>NOTE. In ordering it is necessary to state the exact voltage required.</i>		
194144	2535	Belt (moulded)
194321	2536	Controller Foot Pedal for 194583 to 194585 and 198928
194326	2535	Oil Lubricating Spring
194402	2536	Controller Resistance Unit Bell Crank Spring Bracket, for 194418
194403	2538	Controller Resistance Unit Bell Crank, for 194416
194404	2536	Controller Resistance Unit Bell Crank Spring for 194569 to 194571
194405	2538	Controller Resistance Unit Bell Crank Spring Position Pin for 194416
194407	2536	Controller Base Cushion (rubber), for 194583 to 194585 and 198928
194416	2536	Controller Resistance Unit Bell Crank, complete, Nos. 194405 and two 194403, for 194418
194418	-	Controller Resistance Unit Bell Crank Spring Bracket 194402 with 194416, 194773, two each 1607j and 51340c, for 194569 to 194571
194419	-	Controller Resistance Unit Insert Nut (brass)
194490	2535	Oil Lubricating Wick
194494	2535	Oil Lubricating Tube
194514	2538	Controller Resistance Unit Bell Crank Spring Bracket Screw Insulating Disc for 194569 to 194571
194517	-	Controller Lead Cord (long) 8 feet, for 194522
194520	-	Three-Pin Terminal (female half) Housing (upper) for 194531
194521	-	Three-Pin Terminal (female half), complete, Nos. two each 1768r, 51093r and three 192692, for 194574
194522	-	Controller Lead Cord 194517 and plug, for 194574

No.	Plate	
194525	-	Controller Lead Identification Tube (red), for 195097
194569	-	Controller Base 194572 with 192211, 194418, 194774, 194775, two each 23258, 140100r, 140103r, 194404, 194514 and 931090, for 194583
194570	-	Controller Base 194572 with 192140, 194418, 194774, 194775, two each 23258, 140100r, 140103r, 194404, 194514 and 931090, for 194584
194571	-	Controller Base 194572 with 192141, 194418, 194774, 194775, two each 23258, 140100r, 140103r, 194404, 194514 and 931090, for 194585 and 198928
194572	2536	Controller Base with two 194419, for 194569 to 194571
194573	2536	Controller Cover for 194583 to 194585 and 198928
194574	-	Controller Lead Cord, complete, from lamp socket to three pin terminal and controller Nos. 194521, 194522 and 194575, for 194583 to 194585
194575	-	Controller Lead Cord 3 feet 10 inches, complete, from three pin terminal to controller, Nos. 194576, 194577, 194604, two each 191960 and 191961, for 194574
194576	-	Controller Lead Cord (short) 3 feet 10 inches, for 194575
194577	2538	Controller Lead Cord Insulating Sleeve 2 $\frac{11}{16}$ " long, for 194575 and 195093
194583	-	Controller, complete, for 32 to 55 volts, A.C. or D.C. Motor, Nos. 194321, 194569, 194573, 194574, 899287, two 964317, four each 140099r and 194407
194584	-	Controller, complete, for 95 to 145 volts, A.C. or D.C. Motor, Nos. 194321, 194570, 194573, 194574, 899815, two 964317, four each 140099r and 194407
194585	-	Controller, complete, for 150 to 250 volts, A.C. or D.C. Motor, Nos. 194321, 194571, 194573, 194574, 899287, two 964317, four each 140099r and 194407
194604	-	Controller Lead Insulating Sleeve 3 $\frac{3}{16}$ " long, for 194575 and 195093
194717	2535	Field Coil Lead Strain Relief
194773	2536	Controller Resistance Unit Yoke for 194418
194774	2536	Controller Resistance Unit Adjusting Nut for 194569 to 194571



No.	Plate	
194775	2536	Controller Resistance Unit Adjusting Nut Lock Spring for 194569 to 194571 ...
*195057		Three-Pin Terminal (female half) Housing (lower) Contact Prong for 195067 ...
*195058		Three-Pin Terminal (female half) Housing (lower) Insert for 195068 ...
195059	2536	Three-Pin Terminal (female half) Housing Snap Ring for 195062 ...
195062	2536	Three-Pin Terminal (female half) with Ground Connection, complete, Nos. 195063, 195067 two each 1768r, 51093r and 195059, for 195097 ...
195063		Three-Pin Terminal (female half) Housing (upper) 195064 with 110281 and 195066, for 195062 ...
*195064		Three-Pin Terminal (female half) Housing (upper) with 195065 for 195063 ...
*195065		Three-Pin Terminal (female half) Housing (upper) Insert for 195064 ...
*195066		Three-Pin Terminal (female half) Housing (upper) Ground Contact Prong for 195063 ...
195067		Three-Pin Terminal (female half) Housing (lower) 195068 with three each 110125 and 195057, for 195062 ...
*195068		Three-Pin Terminal (female half) Housing (lower) with three 195058, for 195067 ...
195093		Controller Lead Cord 3 feet 10 inches long, complete, Nos. 194577, 194604, 195094, two each 191960 and 191961 for 195097 ...
*195094		Controller Lead Cord (short) 3 feet 10 inches, for 195093 ...
195097	2536	Controller Lead Cord with Ground Connection, complete, from lamp socket to three pin terminal and controller, Nos. 194525, 195062, 195093 and 195098, for 198928 ...
*195098		Controller Lead Cord (long) 8 feet, with plug for 195097 ...
195435	2535	Brush Cap ...
195436	2535	Motor Pulley with 51207r ...
195437		Armature, complete, for C.A.K. 6-7 Motor ...
195438	2535	Armature, complete, C.A.K. 6-11 Motor ...
195439		Field Core with Coils No. 195440, complete, for C.A.K. 6-7 Motor ...
195440		Field Coils assembled for 195439 ...
195441	2535	Field Core with Coils No. 195442, complete, for C.A.K. 6-11 Motor ...

No.	Plate	
195442		Field Coils assembled for 195440 ...
195464		Field Core with Coils No. 195465, complete, for C.A.K. 6-3 Motor ...
195465		Field Coils assembled for 195464 ...
195467		Field Core with Coils No. 195468, complete, for C.A.K. 6-5 Motor ...
195468		Field Coils assembled for 195467 ...
195469		Field Core with Coils No. 195470, complete, for C.A.K. 6-6 Motor ...
195470		Field Coils assembled for 195469 ...
195473		Field Core with Coils No. 195474, complete, for C.A.K. 6-8 Motor ...
195474		Field Coils assembled for 195473 ...
195475		Field Core with Coils No. 195476, complete, for C.A.K. 6-15 Motor ...
195476		Field Coils assembled for 195475 ...
195477		Field Core with Coils No. 195478, complete, for C.A.K. 6-9 Motor ...
195478		Field Coils assembled for 195477 ...
195481		Field Core with Coils No. 195482, complete, for C.A.K. 6-12 Motor ...
195482		Field Coils assembled for 195481 ...
195483		Field Core with Coils No. 195484, complete, for C.A.K. 6-10 Motor ...
195484		Field Coils assembled for 195483 ...
195487		Armature, complete, for C.A.K. 6-3 Motor ...
195488		Armature, complete, for C.A.K. 6-5 Motor ...
195489		Armature, complete, for C.A.K. 6-6 Motor ...
195491		Armature, complete, for C.A.K. 6-8 Motor ...
195492		Armature, complete, for C.A.K. 6-15 Motor ...
195493		Armature, complete, for C.A.K. 6-9 Motor ...
195496		Armature, complete, for C.A.K. 6-40 Motor ...
195518		Armature, complete, for C.A.K. 6-14 Motor ...
195519		Field Core with Coils No. 195520, complete, for C.A.K. 6-14 Motor ...
195520		Field Coils assembled, for 195519 ...
195525		Armature, complete, for C.A.K. 6-3 S.I. Motor ...
195526		Armature, complete, for C.A.K. 6-5 S.I. Motor ...
195527		Armature, complete, for C.A.K. 6-6 S.I. Motor ...
195528		Armature, complete, for C.A.K. 6-7 S.I. Motor ...
195529		Armature, complete, for C.A.K. 6-8 S.I. Motor ...
195530		Armature, complete, for C.A.K. 6-9 S.I. Motor ...
195531		Armature, complete, for C.A.K. 6-10 S.I. Motor ...
195532		Armature, complete, for C.A.K. 6-11 S.I. Motor ...

No.	Plate	
195733		Armature, complete, for C.A.K. 6-12 S.I. Motor ... ..
195734		Armature, complete, for C.A.K. 6-14 S.I. Motor ... ..
195735		Armature, complete, for C.A.K. 6-15 S.I. Motor ... ..
195736		Field Core with Coils No. 195747, complete, for C.A.K. 6-3 S.I. Motor ... ..
195737		Field Core with Coils No. 195748, complete, for C.A.K. 6-5 S.I. Motor ... ..
195738		Field Core with Coils No. 195749, complete, for C.A.K. 6-6 S.I. Motor ... ..
195739		Field Core with Coils No. 195750, complete, for C.A.K. 6-7 S.I. Motor ... ..
195740		Field Core with Coils No. 195751, complete, for C.A.K. 6-8 S.I. Motor ... ..
195741		Field Core with Coils No. 195752, complete, for C.A.K. 6-9 S.I. Motor ... ..
195742		Field Core with Coils No. 195753, complete, for C.A.K. 6-10 S.I. Motor ... ..
195743		Field Core with Coils No. 195754, complete, for C.A.K. 6-11 S.I. Motor ... ..
195744		Field Core with Coils No. 195755, complete, for C.A.K. 6-12 S.I. Motor ... ..
195745		Field Core with Coils No. 195756, complete, for C.A.K. 6-14 S.I. Motor ... ..
195746		Field Core with Coils No. 195757, complete, for C.A.K. 6-15 S.I. Motor ... ..
195747		Field Coils assembled for 195736 ... ..
195748		Field Coils assembled for 195737 ... ..
195749		Field Coils assembled for 195738 ... ..
195750		Field Coils assembled for 195739 ... ..
195751		Field Coils assembled for 195740 ... ..
195752		Field Coils assembled for 195741 ... ..
195753		Field Coils assembled for 195742 ... ..
195754		Field Coils assembled for 195743 ... ..
195755		Field Coils assembled for 195744 ... ..
195756		Field Coils assembled for 195745 ... ..
195757		Field Coils assembled for 195746 ... ..
195832	2535	End Cover (pulley end) ... ..
195833	2535	End Cover (commutator end) ... ..
195868		Armature, complete, for C.A.K. 6-12 Motor
195913	2535	Field Coil Retainer Insulation.
196168		Field Coil Retainer
198414	2538	Radio Interference Suppressor Lead Terminal Clip for 198838 ... ..
198837	2539	Radio Interference Suppressor only for 198838

No.	Plate	
198838		Radio Interference Suppressor, Nos. 198837, 198924, 198926 and three 198414, for 198927 ... ..
198922	2539	Radio Interference Suppressor Pal Nut for 198927 ... ..
198923	2535	End Cover Fastening Screw for 198927 ... ..
198924	2539	Radio Interference Suppressor Ground Lead Terminal Plug for 198838 ... ..
198925	2539	Radio Interference Insulating Plug for 198927
198926	2539	Radio Interference Suppressor Lead Insulating Tubing for 198838 ... ..
198927	2539	Radio Interference Suppressor, complete, Nos. 198838, 198922, 198923, 198925 and 198929 ... ..
198928	2536	Controller (moulded, foot), complete, with grounding terminal, for 150 to 250 volts, A.C. or D.C. Motor, Nos. 194321, 194571, 194573, 195097, 899287, two 964317, four each 140099r and 194407 ... ..
198929	2539	Radio Interference Suppressor Lead Fastening Clip for 198927 ... ..
200145c	2525	Rotating Hook Loop Guard Screw for 45829
200592c	2525	Rotating Hook Bobbin Case Tension Spring Screw for 45751 ... ..
200596f	2525	Rotating Hook Gib Screw for 45828 and 45829 ... ..
200611c	2525	Rotating Hook Gib Huge Screw for 45828 and 45829 ... ..
200964c	2525	Rotating Hook Bobbin Case Latch Stop Screw for 45751 ... ..
201016f	2525	Rotating Hook Bobbin Case Tension Spring Regulating Screw for 45751 ... ..
206731	2525	Rotating Hook Bobbin Case Latch Fulcrum Pin for 206736 ... ..
206735	2525	Rotating Hook Bobbin Case Latch for 206736
206736	2525	Rotating Hook Bobbin Case Latch 206735 with 206731 and 206737 for 45751 ... ..
206737	2525	Rotating Hook Bobbin Case Latch Lever for 206736 ... ..
210736	2525	Rotating Hook Bobbin Case Latch Spring for 45751 ... ..
701400	2535	Armature Shaft Thrust Washer (pulley end)
701719	2537	Three-Pin Terminal Body (male half) Post Washer for 192797 ... ..
701994	2537	Singerlight Lamp Socket Insulating Washer (felt) for 193918 ... ..
820343	2538	Field Coil Insulation ... ..

No.	Plate	
*899287	-	Name Plate for 194583, 194585 and 198928
*899815		Name Plate for 194584 ... ..
931090	2538	Controller Resistance Unit Screw Washer (asbestos) for 194569 to 194571 ...
964317	2538	Name Plate Drive Screw for 194583 to 194585 and 198928 ... ..
†991601	2535	Field Core Shield and Name Plate ...

†When ordering, state motor with which it is to be used.