

SINGER
231-25

Form 19809

(1141)

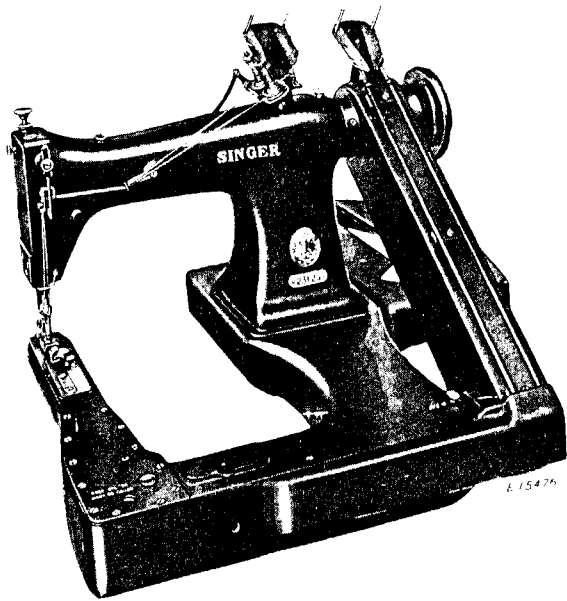
Printed in U. S. A.

SINGER*

231-25

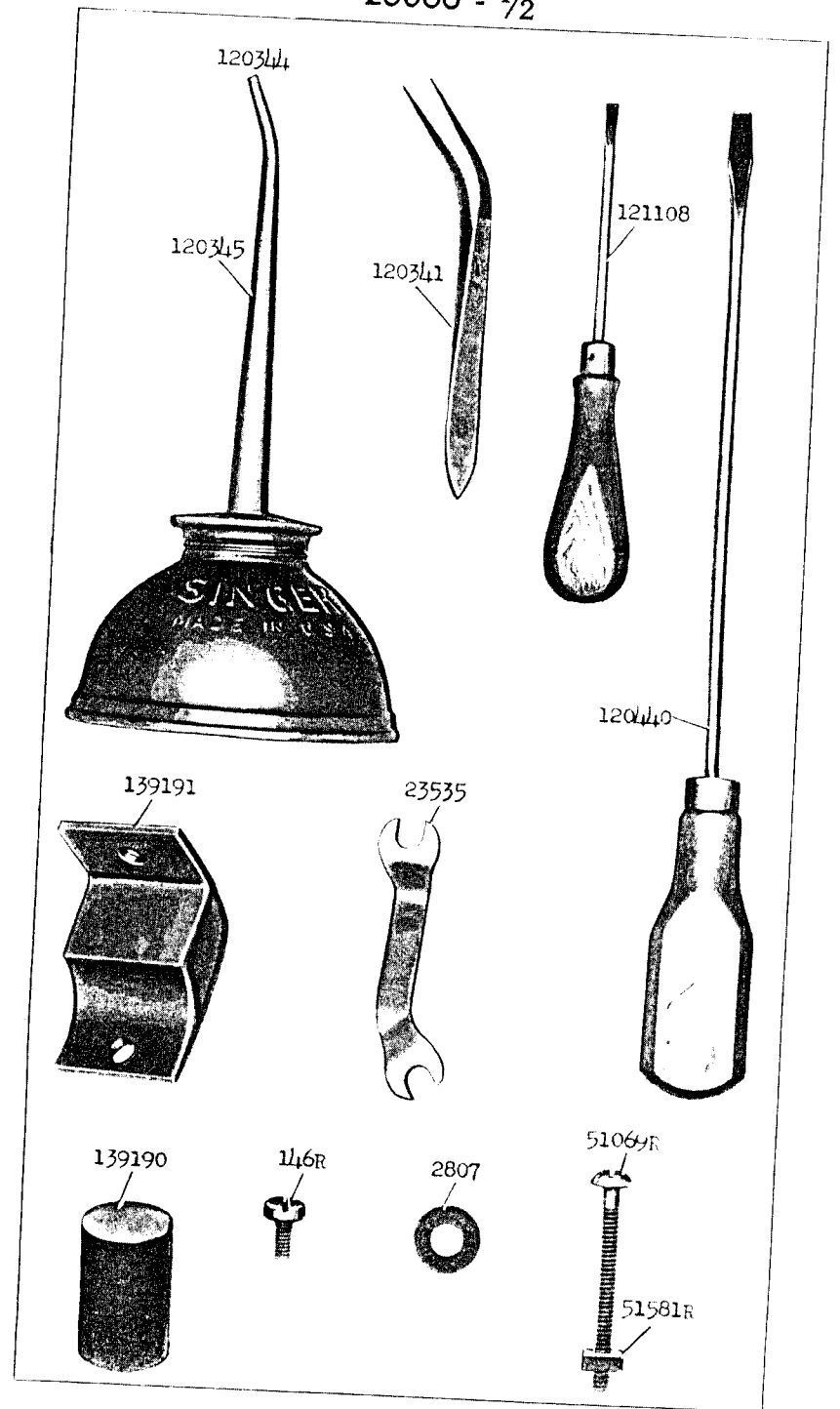
* A TRADE-MARK OF

THE SINGER COMPANY



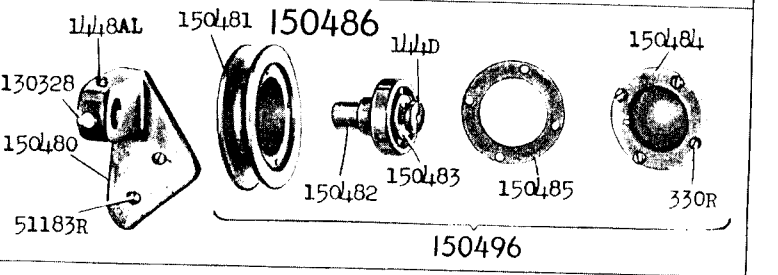
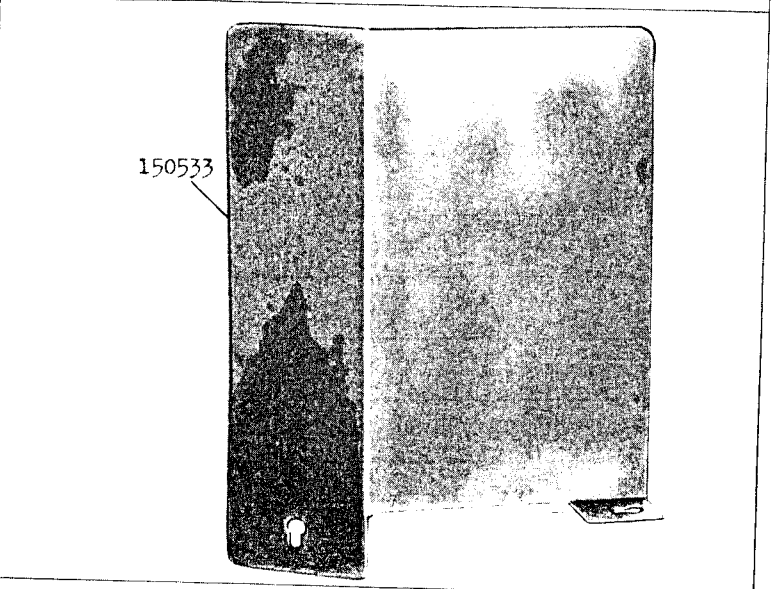
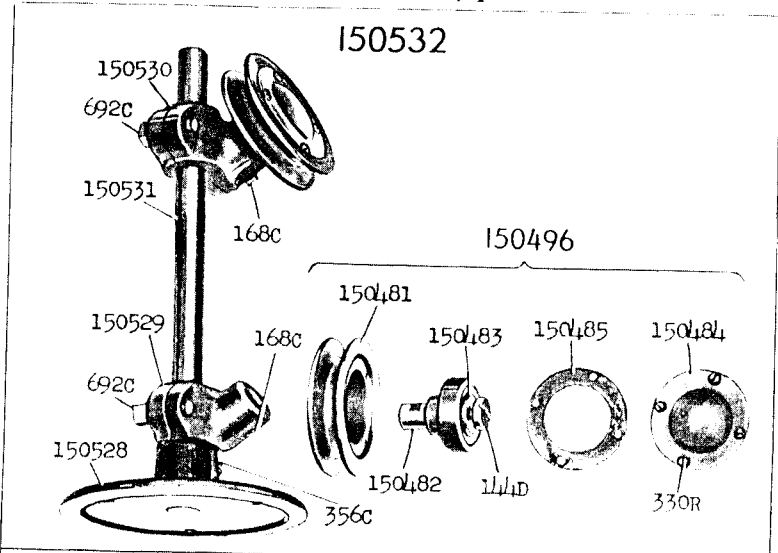
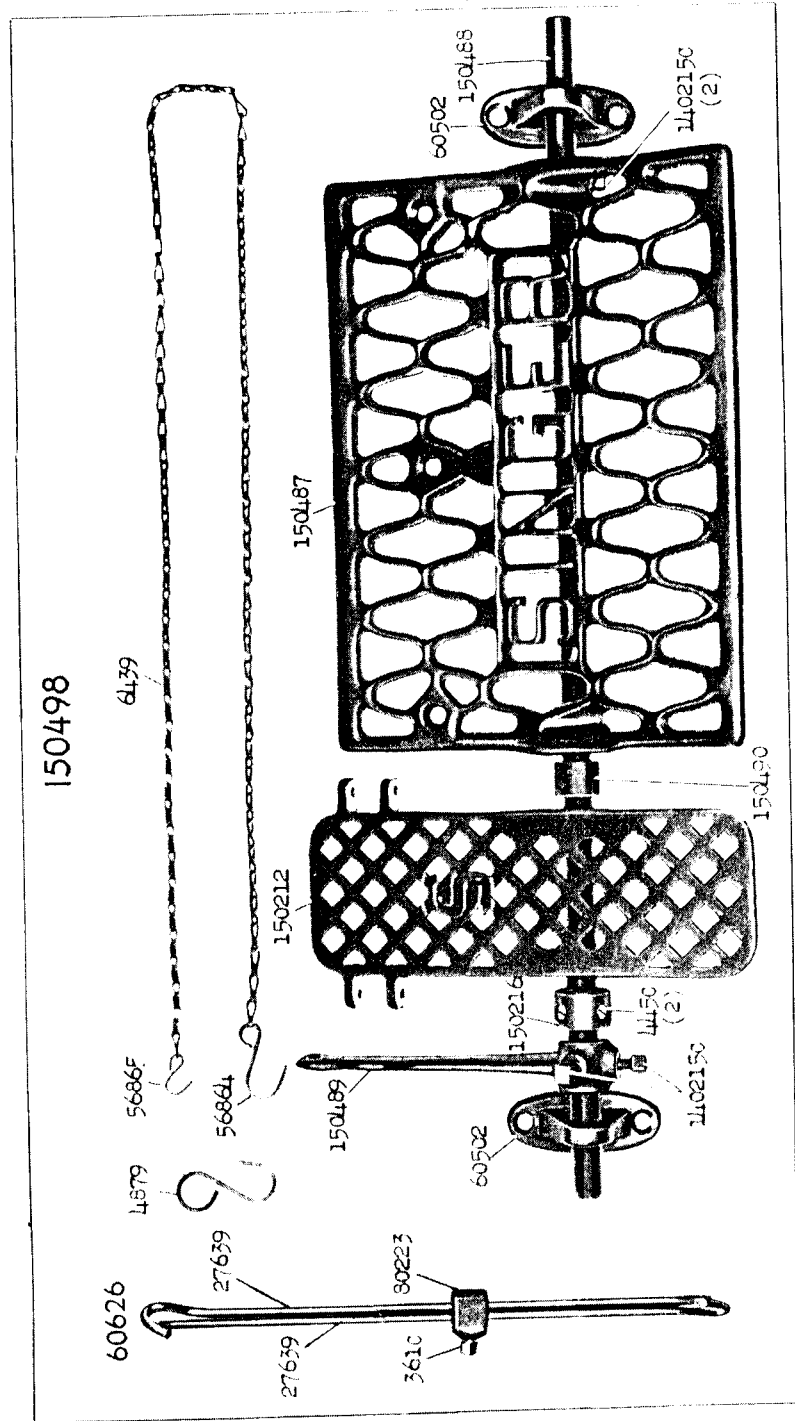
Copyright, U. S. A., 1939 and 1941
 by The Singer Company
 All Rights Reserved for all Countries

23086 - 1/2



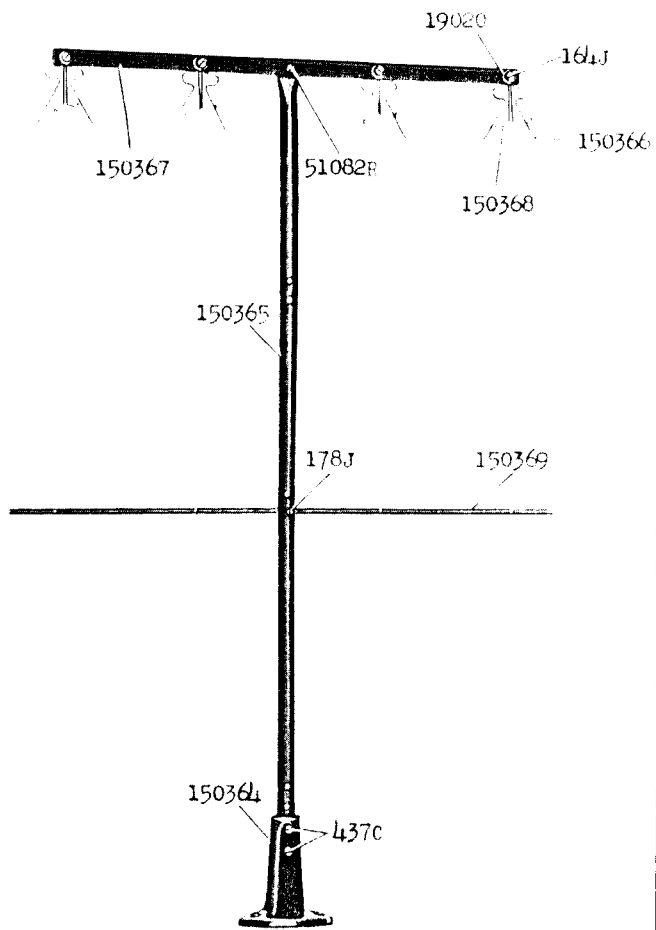
23089 - 1/4

23090 - 1/4

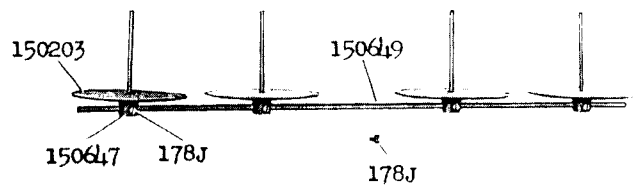


23092 - 1/6

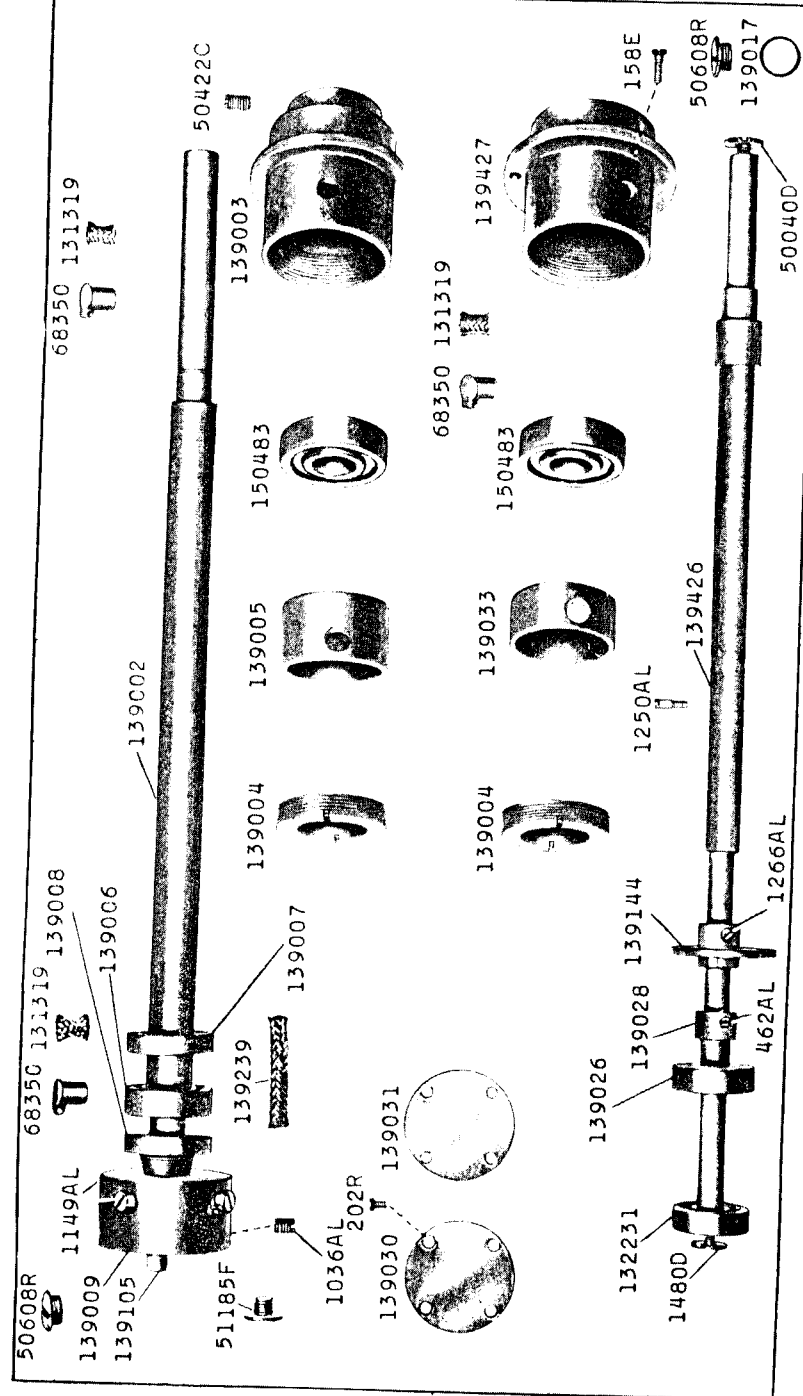
150370



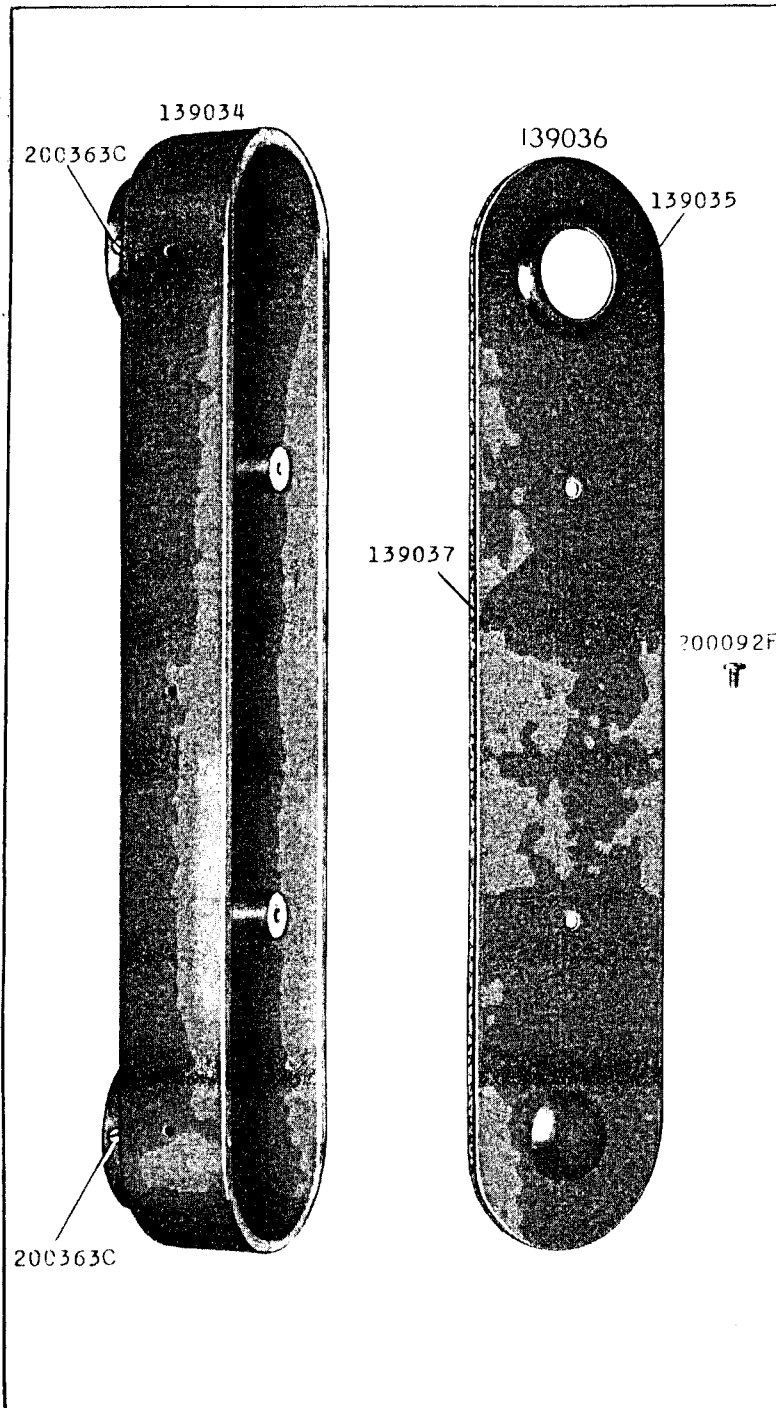
150662



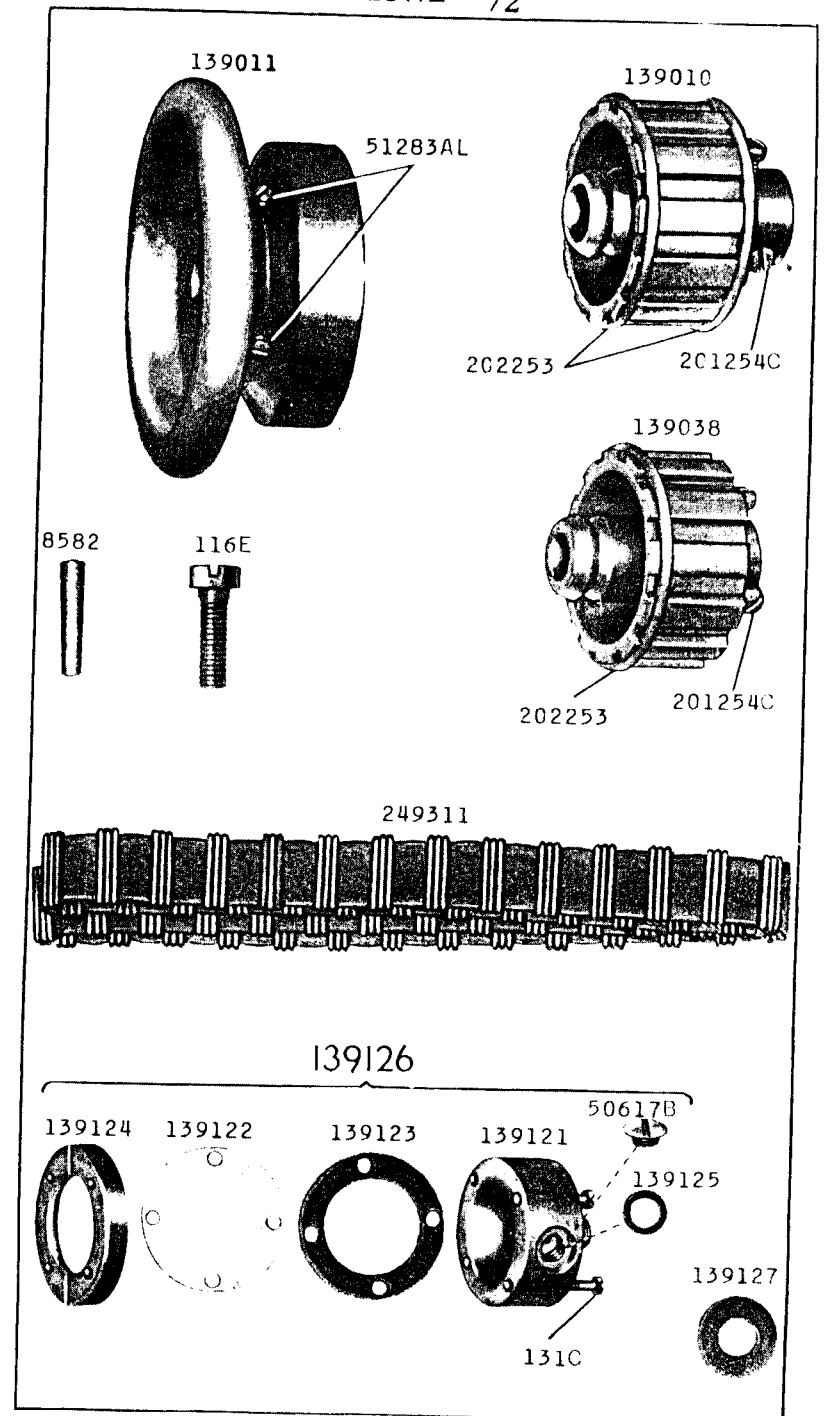
23110 - 1/3



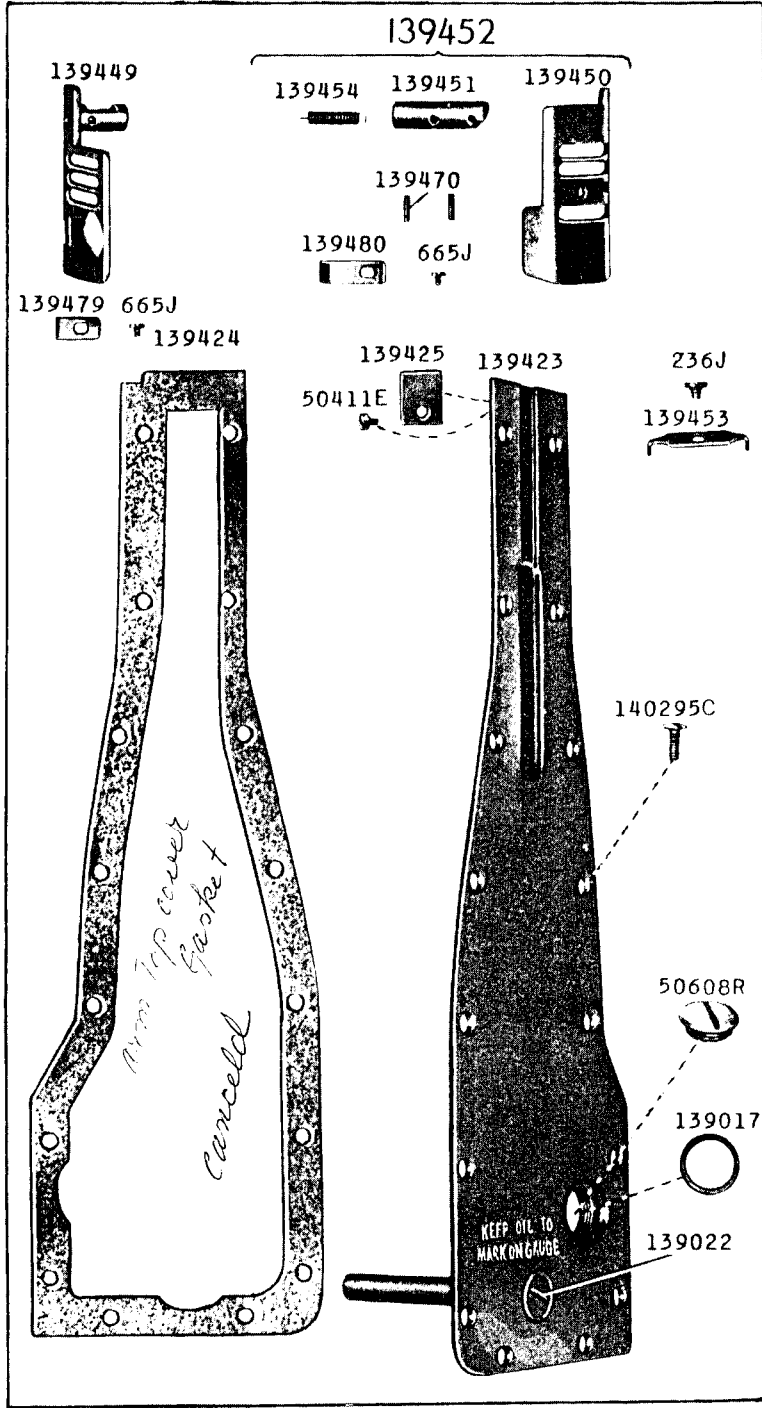
23111 - 1/3



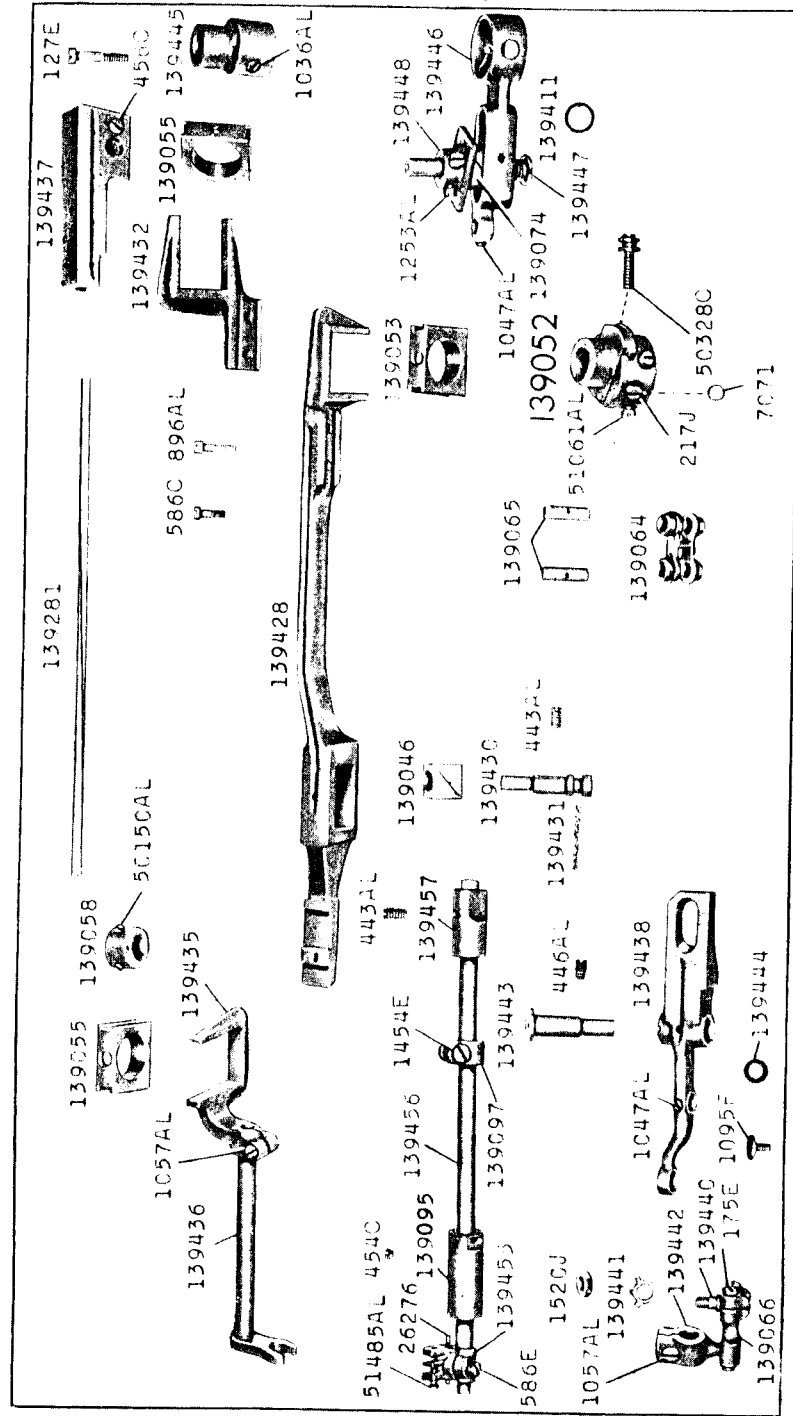
23112 - 1/2



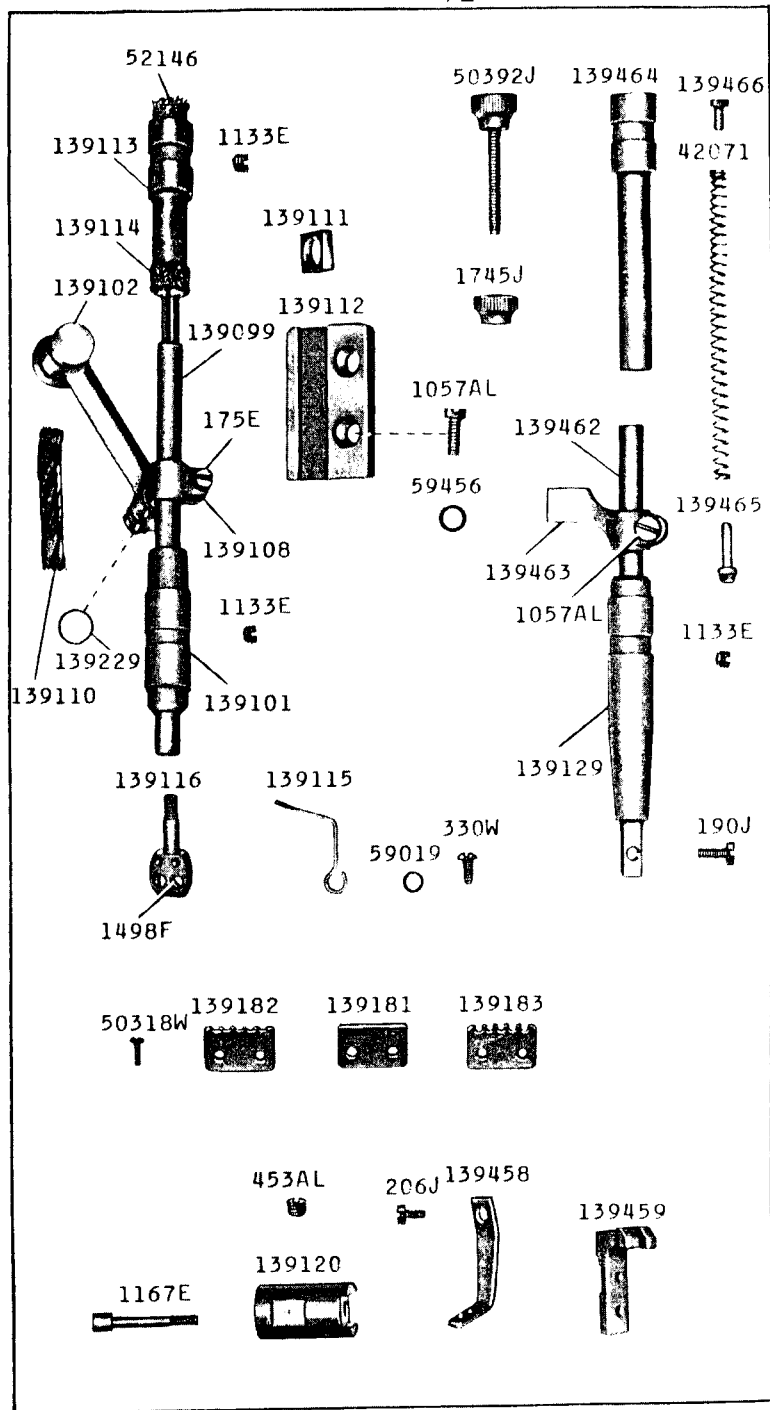
23115 - 1/2



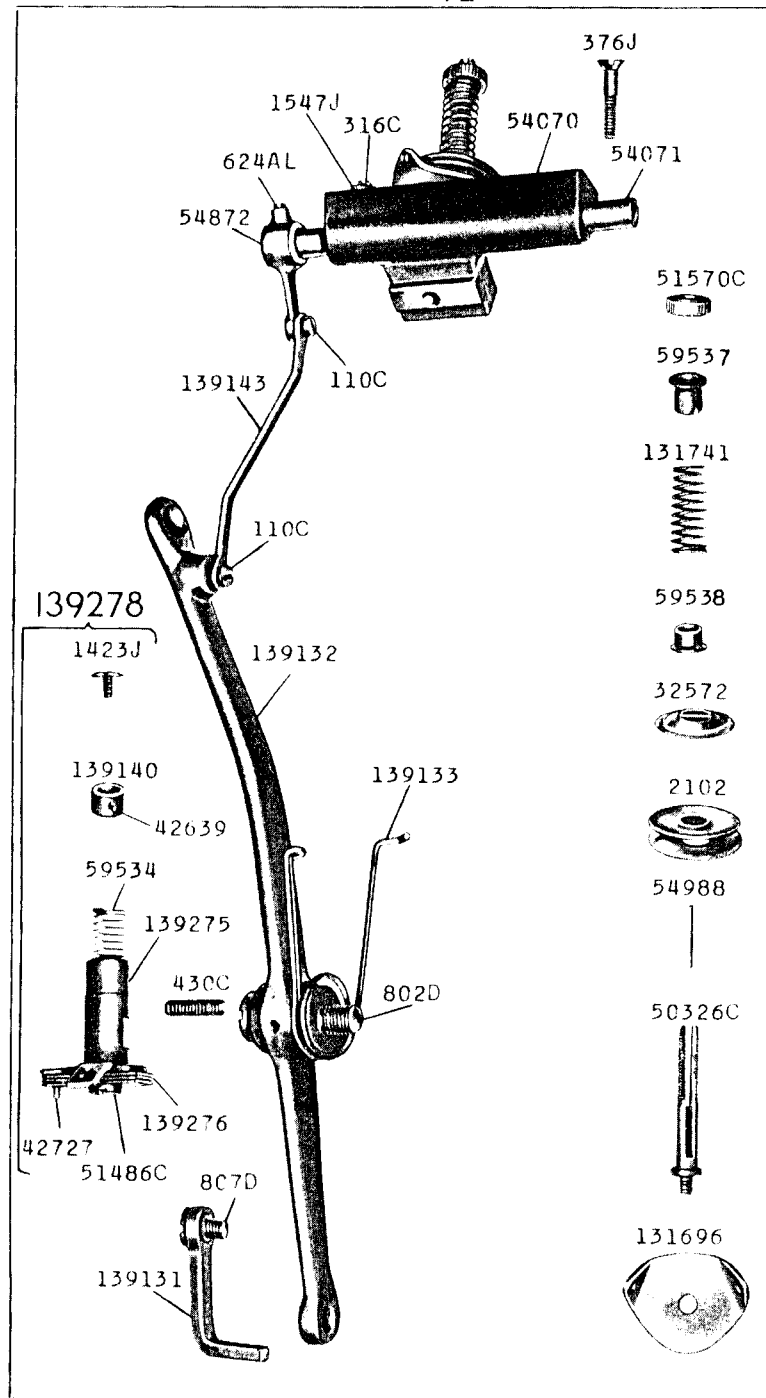
23116 - 1/3



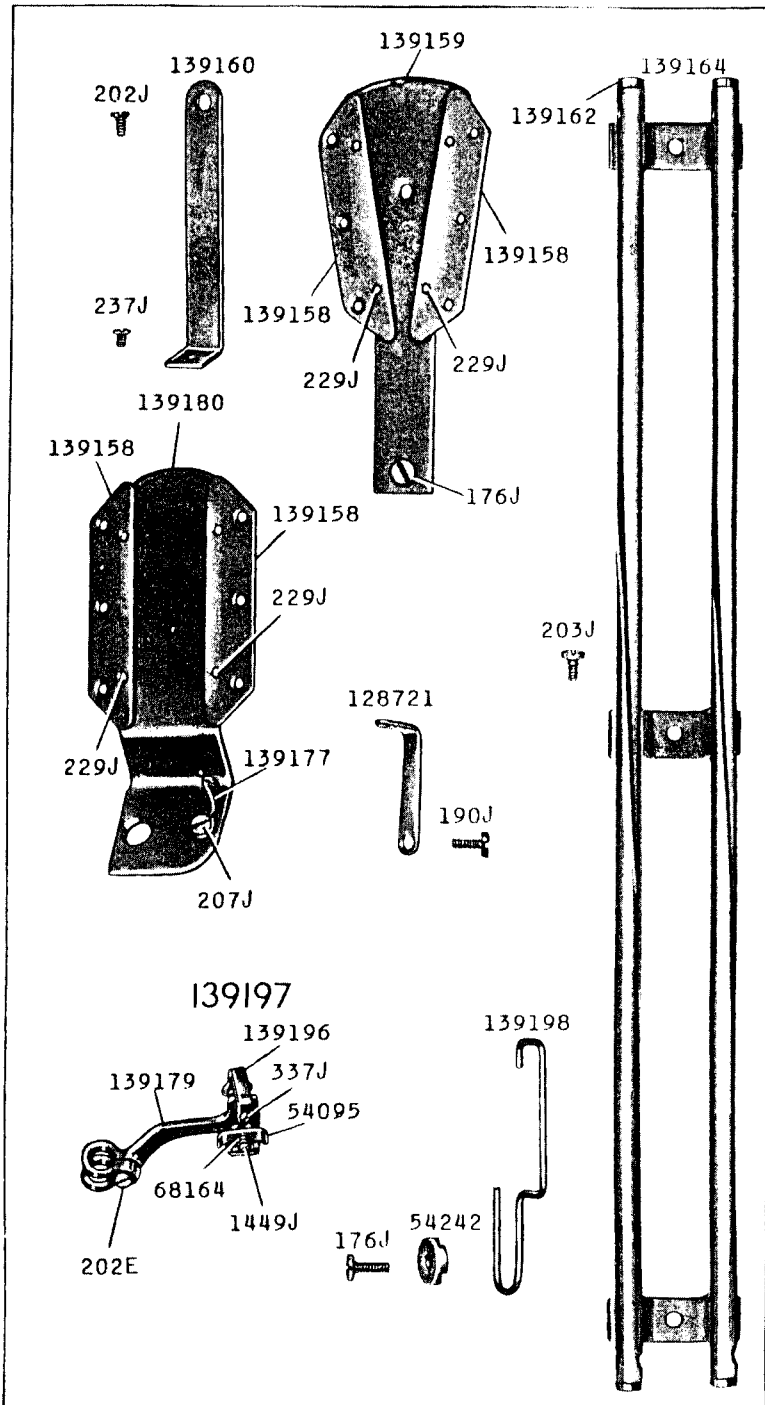
23117 - 1/2



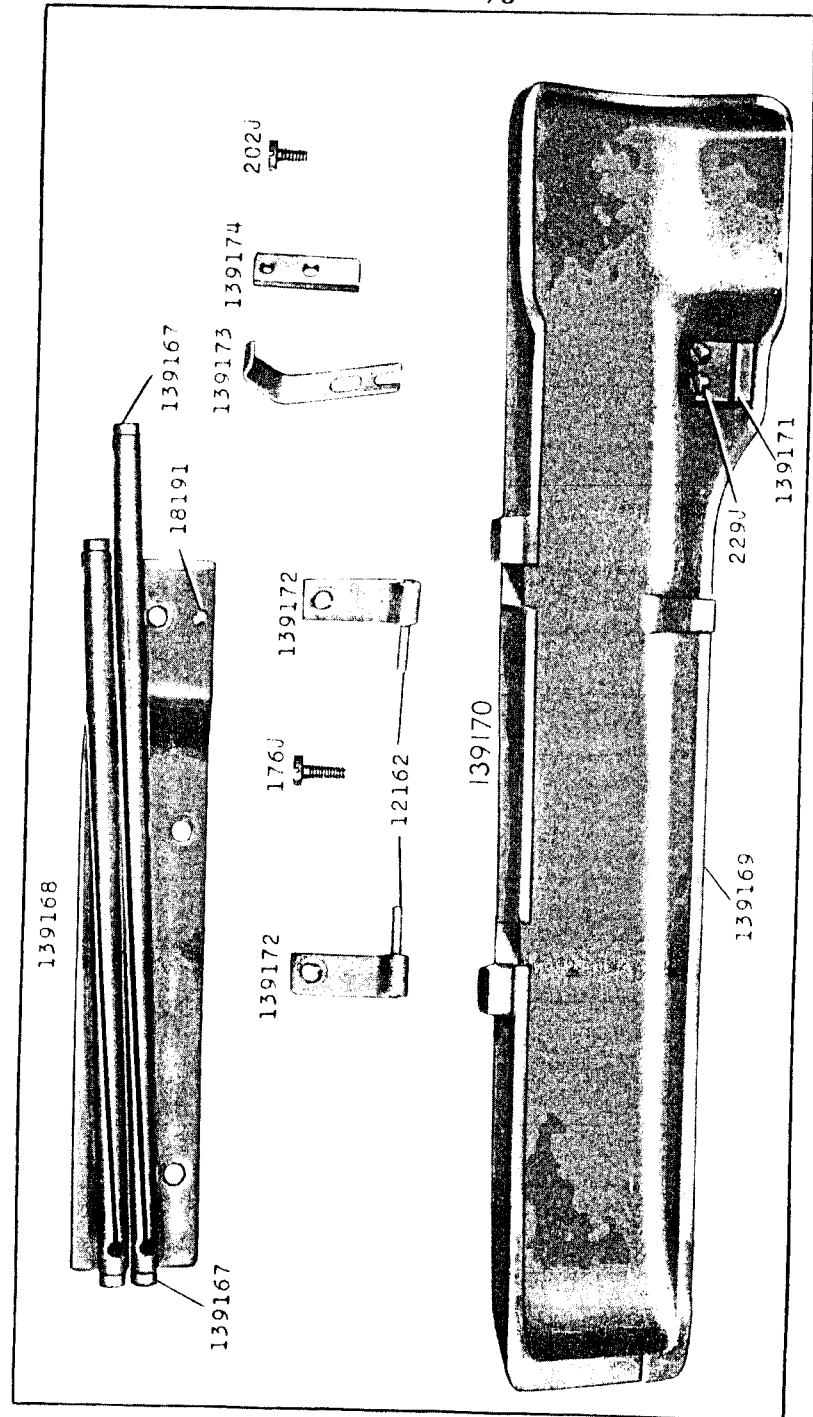
23118 - 1/2



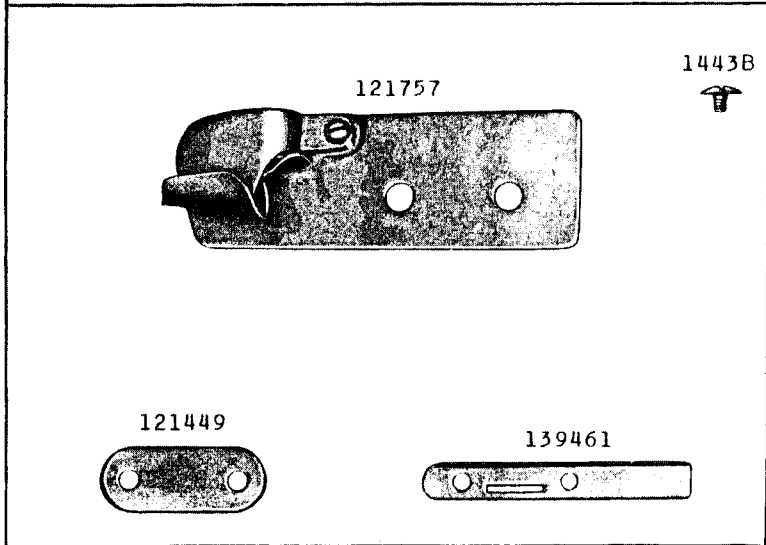
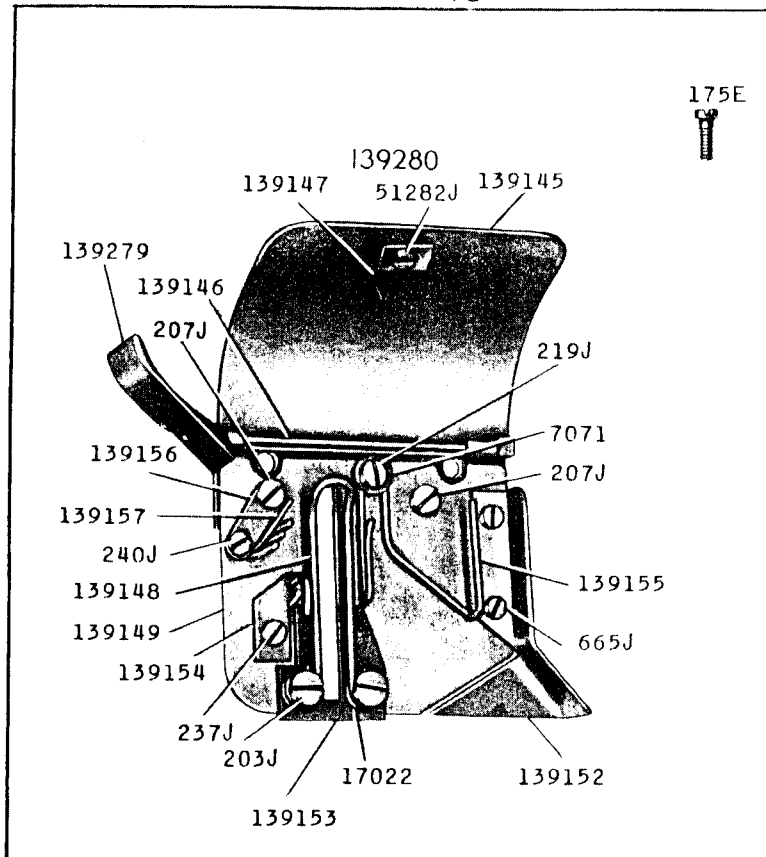
23119 - 1/2



23120 - 2/3



23121 - 2/3



23122 - 1/4

