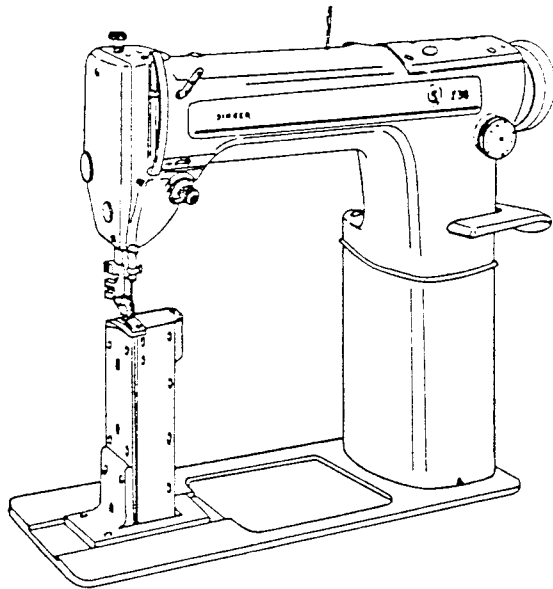


SINGER
238D300A

MACHINE PARTS CHART

SINGER



238D300A

MADE IN JAPAN

NUMERICAL LIST OF PARTS FOR MACHINE - 238D300A

<u>Part No.</u>	<u>Description</u>
2102-001	Tension Disk (2)
6759-75	Needle
11170	Presser Bar Spring Washer
45343	Tension Thread Guide
52130	Thread Take-up Lever Thread Eyelet Bushing
52454	Thread Retainer
56073	Bell Crank Spring
125314	Tension Spring
143058	Needle Bar Connecting Stud Slide Block
146610	Presser Bar Lifting Lever Spring
410904	Needle Bar Thread Guard
445486	Feed Bar
504002	Thread Take-up Lever Link Hinge Stud Set Screw Arm Shaft (horizontal) Flanged Bushing (front) Set Screw Arm Shaft (horizontal) Flanged Bushing (center) Set Screw Arm Shaft (horizontal) Flanged Bushing (back) Set Screw Rotating Hook Shaft Bushing Set Screw (3) Feed Regulator Hinge Stud Set Screw
504007	Feed Rock Shaft Collar Set Screw (2) Feed Lifting Rock Shaft Collar Set Screw (4) Rotating Hook Shaft Collar Set Screw (4)
504013	Feed Bar Carrier Clamping Screw (2) Feed Bar Hinge Pin Clamping Screw
504047	Tension Stud Set Screw
504066	Arm Shaft (horizontal) Bevel Gear Set Screw (2)
504074	Feed Regulating Stud Head Cap Screw
504083	Presser Bar Guide and Pressure Regulating Thumb Screw
504084	Feed Dog Screw
504094	Thread Retainer Set Screw Feed Rock Shaft Flanged Bushing (front) Set Screw
504095	Thread Take-up Crank Set Screw Thread Take-up Crank Clamping Screw
504099	Bell Crank Bracket Set Screw (2) Arm Top Cover Screw (4)
504100	Presser Bar Lifting Lever Connecting Rod Screw
504101	Arm Shaft (upright) Bevel Gear (upper) Set Screw (2) Arm Shaft (upright) Bevel Gear (lower) Set Screw (2) Rotating Hook Shaft Bevel Gear Set Screw (4) Rotating Hook Driving Shaft Bevel Gear Set Screw (2) Arm Shaft (horizontal) Collar Set Screw (2)

<u>Part No.</u>	<u>Description</u>
504112	Needle Set Screw
504118	Needle Bar Connecting Link Cap Screw
504119	Machine Pulley Set Screw (2)
504120	Needle Bar Crank Position Screw
504129	Presser Bar Bushing (lower) Set Screw Needle Bar Bushing (upper) Set Screw Needle Bar Bushing (lower) Set Screw
504145	Oil Returning Tube Holder Set Screw
504509	Presser Bar Lifting Lever Connecting Rod Nut
505151	Tension Releasing Lever Hinge Pin
505152	Tension Releasing Lever Spring
505387	Presser Bar Lifting Lever Connecting Rod Joint
505417	Bell Crank
505427	Rotating Hook Shaft Collar (2)
505575	Presser Bar Spring
505633	Feed Forked Connection Slide Block
505649	Presser Bar Bushing (lower)
531002-451	Thrad Take-up Spring Regulator Set Screw
531005	Bed Leg (long)
531006	Bed Leg (short) (3)
531012	Plastic Tube w/Wick for Lubricating Feed Conn. Rod (lower bearings) (2)
531015-451	Arm Top Cover Cpl.
531017	Feed Lifting Rock Shaft Crank Connecting Rod Felt
531018	Arm Shaft (horizontal) and Needle Bar Crank Cpl.
531019	Arm Shaft (horizontal) Flanged Bushing (back)
531020	Feed Lifting Cam
531022	Feed Rock Cam
531024	Arm Shaft and Bevel Gear (lower) Ass'y
531025	Arm Shaft (upright)
531026	Feed Regulator and Rock Shaft Crank Connecting Rod Cpl.
531028	Feed Rock Shaft Crank Connecting Rod Cpl.
531030	Feed Connecting Link Stud
531031	Feed Bar Cpl.
531032	Feed Forked Connection
531033	Feed Bar Carrier Cpl.
531034	Feed Bar Hinge Pin
531035	Feed Bar Carrier
531036	Feed Lifting Rock Shaft Crank Connecting Rod Cpl.

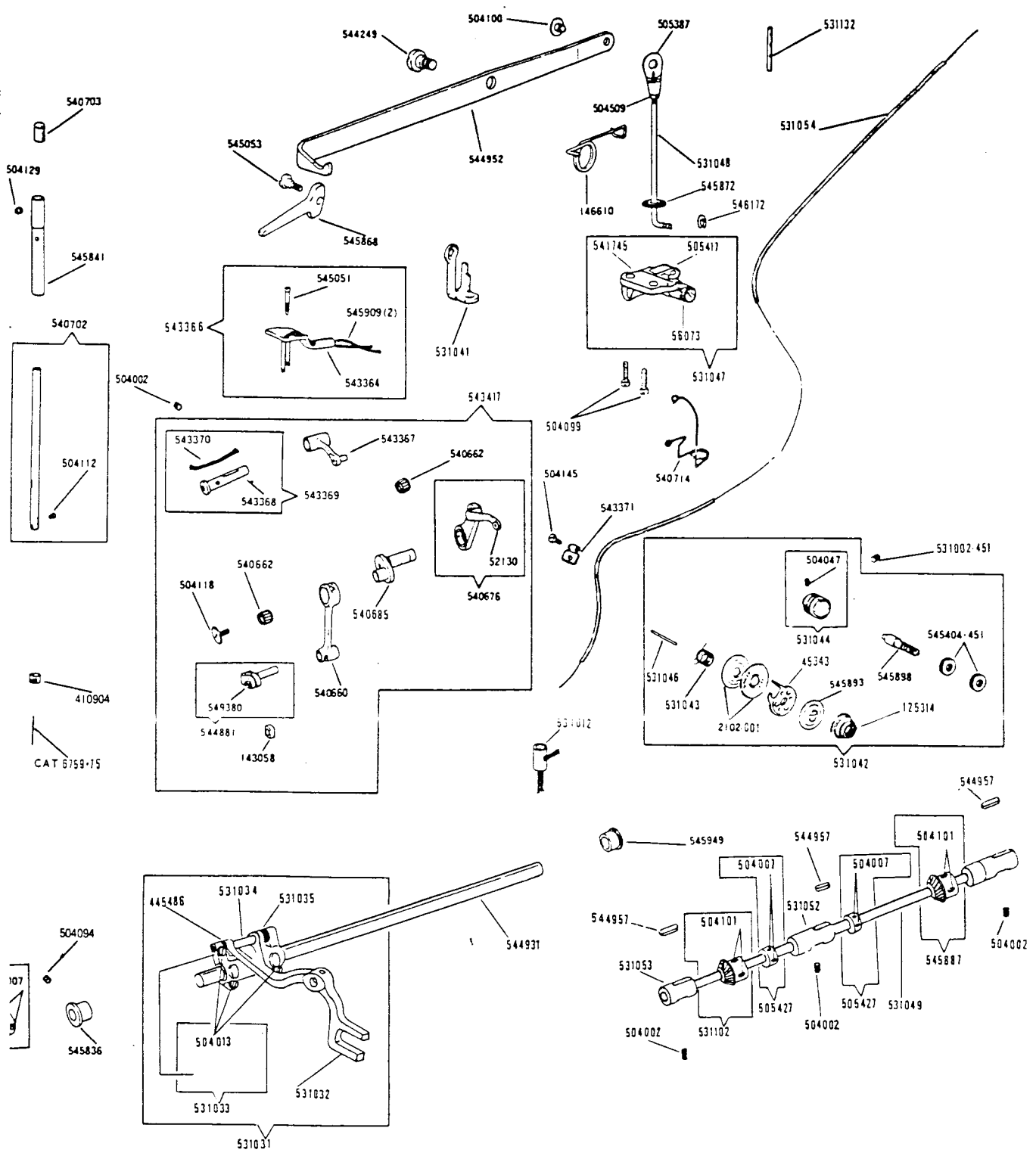
<u>Part No.</u>	<u>Description</u>
531037	Feed Lifting Rock Shaft Crank (front) Cpl.
531038	Feed Reverse Lever Spring Extension
531040	Feed Reverse Lever Hinge Stud
531041	Presser Bar Lifting Lever Link
531042	Tension Cpl.
531043	Thread Take-up Spring
531044	Thread Take-up Spring Regulator Cpl.
531046	Tension Releasing Pin
531047	Bell Crank Cpl.
531048	Presser Bar Lifting Lever Connecting Rod
531049	Rotating Hook Drive Shaft
531050	Rotating Hook Driving Shaft Bevel Gear
531052	Rotating Hook Shaft Bushing (center)
531053	Rotating Hook Shaft Bushing (front)
531054	Oil Returning Tube Cpl.
531057	Roller Presser Bar and Bar Cpl.
531058	Roller Presser Bar
531059	Roller Arm Bracket
531060	Roller with Supporter
531065-451	Roller Arm Screw
531068	Roller Arm Bracket Positioning Block
531070-451	Roller Arm Bracket Position Block Screw
531071	Roller Arm Bracket Ret. Headed Pin
531072	Compression Spring
531073-451	Roller Arm Bracket Stopper Screw (2)
531075-451	Hook Shaft Supporter with Hook Shaft Bushing
531078-451	Hook Shaft Supporter Bushing Set Screw
531079	Hook Shaft Supporter Felt
531082-451	Rotating Hook Clamping Screw
531083	Hook and Bobbin Case Cpl.
531084	Needle Guard
531089	Bobbin Case Tension Spring
531090-451	Bobbin Case Tension Spring Regulating Screw
531091	Hook Gib
531092-451	Hook Gib Set Screw (2)
531093	Rotating Hook Collar
531095-451	Rotating Hook Collar Set Screw (2)
531096	Rotating Hook Opener Cpl.

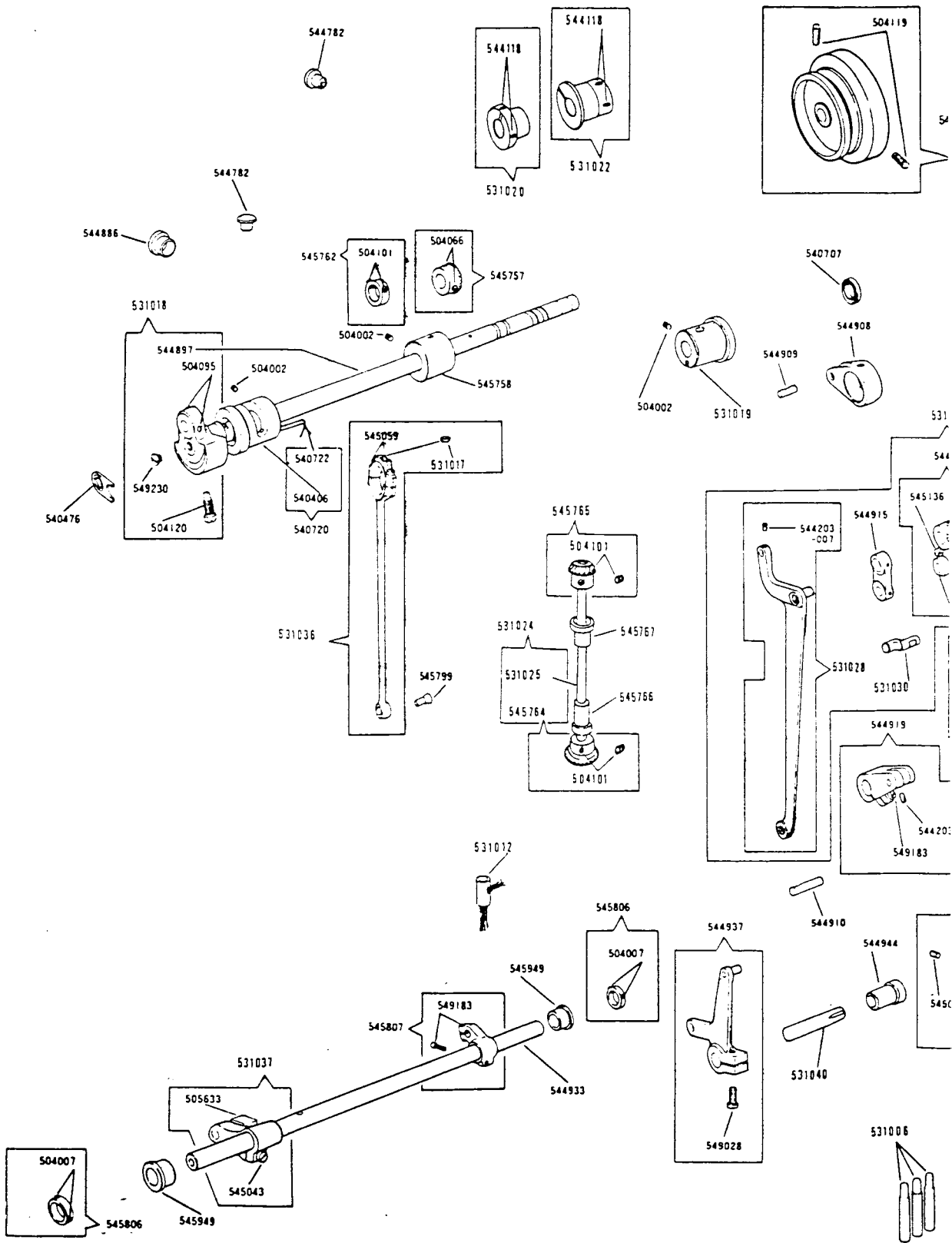
<u>Part No.</u>	<u>Description</u>
531097	Rotating Hook Opener
531099	Rotating Hook Opener Bracket
531100-451	Rotating Hook Opener Bracket Screw (2)
531101-451	Rotating Hook Opener Hinge Screw
531102	Rotating Hook Shaft Bevel Gear (left)
531105	Feed Plate and Dog cpl.
531106	Feed Plate
531108-001	Feed Dog
531109	Supporter Plate
531110-451	Supporter Plate Clamping Screw (2)
531111-451	Sqaure Block Hinge Screw
531112	Square Block
531113-451	Square Block Hinge Screw Nut
531114-451	Side Cover Plate
531115-451	Side Cover Plate Clamping Screw (4)
531116	Needle Plate
531117-451	Needle Plate Clamping Screw (2)
531118-451	Hook Shaft Supporter Front Cover Plate
531119-451	Hook Shaft Supporter Front Cover Plate Clamping Screw (4) Hook Shaft Supporter Back Cover Plate Clamping Screw (4)
531120-451	Hook Shaft Supporter Back Cover Plate
531121-451	Hook Shaft Supporter Cover Plate Screw (2)
531122	Bobbin
531123-451	Feed Bar and Feed Plate Hinge Screw
531124-451	Feed Bar and Feed Plate Hinge Screw Nut
531125-451	Side Cover Plate Bracket
531126-451	Side Cover Plate Bracket Clamping Screw (4)
531127	Side Plate
53128-451	Hook Shaft Supporter Plate Bracket Clamping Screw (2) Feed Plate Braacket Clamping Screw (2) Side Cover Plate Bracket Clamping Screw (2)
531129-451	Spring Washer (6)
531132	Arm Spool Pin and Thread Eyelet
531138	Feed Plate Bracket
531140-451	Bobbin Case Tension Spring Screw
540406	Arm Shaft (horizontal) Flanged Bushing (front)
540435	Feed Regulating Stud Lock Pin
540476	Thread Take-up Crank Bearing Plate
540525	Needle Bar Bushing (lower)

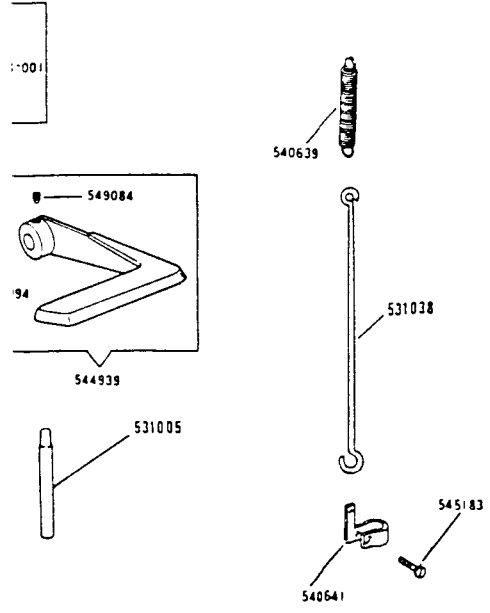
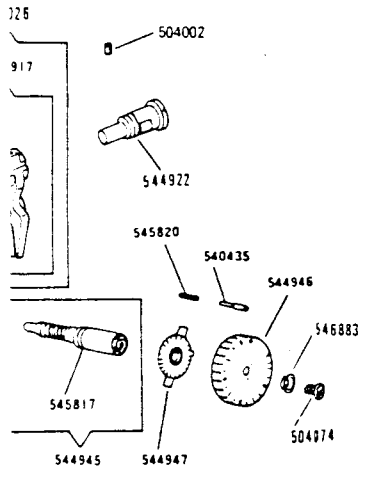
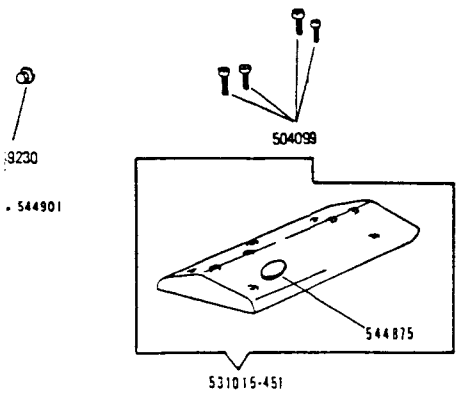
<u>Part No.</u>	<u>Description</u>
540528	Needle Bar Bushing (lower) Felt
540549	Thread Guard (side of arm)
540619-050	Face Plate Cpl.
540639	Feed Reverse Lever Spring Extension Spring
540641	Feed Reverse Lever Spring Extension Bracket
540660	Needle Bar Connecting Link
540662	Needle Bar Connecting Link Roller Bearing Thread Take-up Lever Roller Bearing
540676	Thread Take-up Lever Cpl.
540685	Thread Take-up Crank
540702	Needle Bar
540703	Needle Bar Bushing (upper) Felt
540707	Arm Shaft (horizontal) Flanged Bushing (back) Oil Seal
540714	Oil Returning Tube Hold Wire
540720	Arm Shaft (horizontal) Flanged Bushing (front) Cpl.
540722	Arm Shaft (horizontal) Flanged Bushing (front) Oil Drain Tube Tape
541745	Bell Crank Bracket
543364	Oil Wick Holder and Pipe
543366	Oil Wick Holder Cpl.
543367	Thread Take-up Lever Link
543368	Thread Take-up Lever Link Hinge Stud
543369	Thread Take-up Lever Link Hinge Stud Cpl.
543370	Thread Take-up Lever Link Hinge Stud Oil Wick (cotton)
543371	Oil Returning Tube Holder
543417	Thread Take-up Cpl.
544066	Face Plate Screw (2)
544118	Feed Lifting Cam Screw (2) Feed Rock Cam Screw (2)
544203-001	Feed Rock Shaft Crank Pin Set Screw
544203-007	Feed Rock Cam Link Pin Set Screw
544249	Presser Bar Lifting Lever Hinge Screw
544493	Thread Take-up Lever Guard Screw Thread Take-up Lever Oil Guard Screw
544782	Face Plate Plug (small) Arm Shaft (horizontal) Flanged Bushing (center) Screw Hole Plug Arm Shaft (horizontal) Flanged Bushing (front) Screw Hole Plug
544873-451	Thread Take-up Lever Guard

<u>Part No.</u>	<u>Description</u>
544875	Face Plate Plug (large) Arm Top Cover Plug
544881	Needle Bar Connecting Stud Cpl.
544886	Arm Shaft (horizontal) Flanged Bushing (front) Screw Hole Plug
544897	Arm Shaft (horizontal) Cpl.
544901	Machine Pulley Cpl.
544908	Feed Rock Cam Link
544909	Feed Rock Cam Link Pin
544910	Feed Rock Shaft Crank Pin
544915	Feed Connecting Link
544917	Feed Regulator Cpl.
544919	Feed Rock Shaft Crank Cpl.
544922	Feed Regulator Hinge Stud
544931	Feed Rock Shaft
544933	Feed Lifting Rock Shaft
544937	Feed Reverse Lever Crank
544939	Feed Reverse Lever
544944	Feed Reverse Lever Hinge Stud Bushing
544945	Feed Regulating Stud
544946	Feed Regulating Stud Head
544947	Feed Regulating Latch Plate
544948	Presser Bar Guide Bracket Cpl.
544952	Presser Bar Lifting Lever
544956	Rotating Hook Shaft Bushing (back)
544957	Rotating Hook Shaft Bushing Oil Felt (3)
544975	Thread Take-up Lever Oil Guard Cpl.
544980	Tension Releasing Lever
545040	Face Plate Screw
545043	Feed Lifting Rock Shaft Crank (front) Clamping Screw
545051	Oil Wick Holder Screw
545053	Presser Bar Lifter Hinge Screw
545059	Feed Lifting Rock Shaft Crank Connecting Rod Cap Screw (2)
545094	Feed Reverse Lever Hinge Stud Screw
545099	Presser Bar Guide Bracket Clamping and Tension Release Screw
545136	Feed Regulator Screw
545183	Feed Reverse Lever Spring Extension Bracket Screw
545404-451	Tension Regulating Thumb Nut (2)
545757	Arm Shaft (horizontal) Bevel Gear

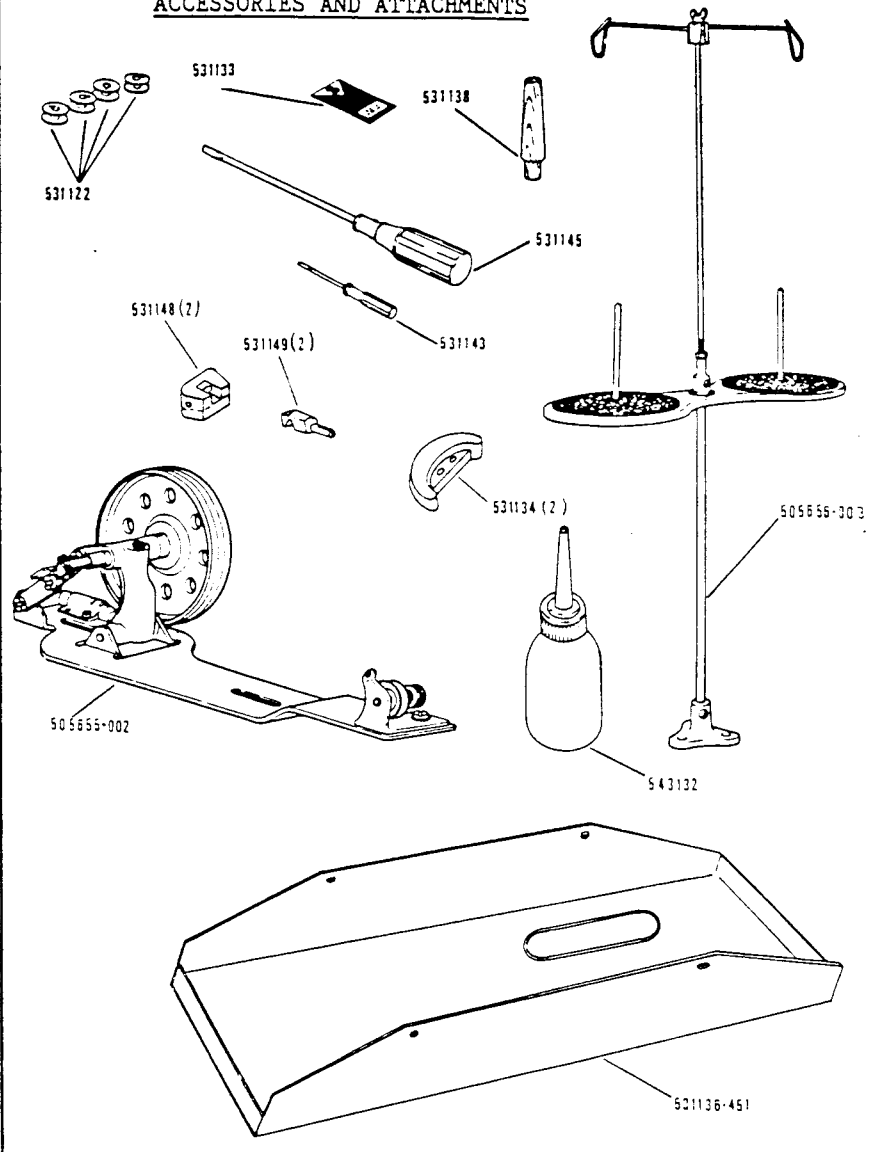
<u>Part No.</u>	<u>Description</u>
545758	Arm Shaft (horizontal) Bushing (center)
545762	Arm Shaft (horizontal) Collar
545764	Arm Shaft (upright) Bevel Gear (lower)
545765	Arm Shaft (upright) Bevel Gear (upper)
545766	Arm Shaft (upright) Bushing (lower)
545767	Arm Shaft (upright) Bushing (upper)
545799	Feed Lifting Rock Shaft Crank Connecting Rod Hinge Stud
545806	Feed Lifting Rock Shaft Collar Cpl. (2)
545807	Feed Lifting Rock Shaft Crank (back) Cpl.
545820	Feed Regulating Stud Lock Pin Spring
545836	Feed Rock Shaft Flanged Bushing (front)
545837	Feed Rock Shaft Collar Cpl.
545841	Needle Bar Bushing (upper)
545868	Presser Bar Lifter
545872	Presser Bar Lifting Lever Connecting Rod Oil Mist Retaining Disc
545887	Rotating Hook Shaft Bevel Gear (right)
545893	Tension Releasing Disk
545898	Tension Stud Cpl.
545901	Thread Eyelet (side of arm)
545909	Thread Take-up Lever Oil Guard Wick (cotton) Oil Wick (cotton) (2)
545935	Needle Bar Bushing (lower) Thread Eyelet
545949	Feed Rock Shaft Flanged Bushing (back) Feed Lifting Rock Shaft Flanged Bushing (2)
546172	Presser Bar Lifting Lever Connecting Rod Snap Ring
546883	Feed Regulating Stud Head Plate Retainer
546925	Face Plate Gasket
549028	Feed Reverse Lever Crank Clamping Screw
549084	Feed Reverse Lever Set Screw
549128	Thread Eyelet (side of arm) Screw
549183	Feed Lifting Rock Shaft Crank (back) Clamping Screw (2) Feed Rock Shaft Crank Clamping Screw
549230	Arm Shaft (horizontal) Screw Plug (2)
549336	Thread Guard (side of arm) Screw
549380	Needle Bar Connecting Stud Clamping Screw



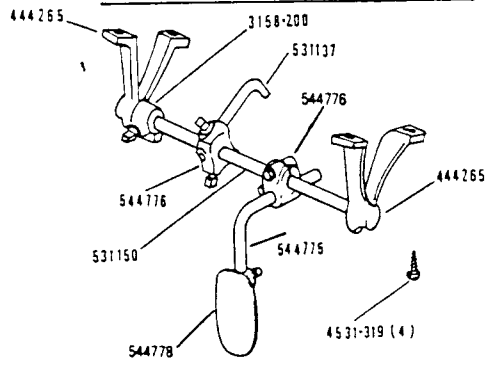




ACCESSORIES AND ATTACHMENTS



KNEE LIFTER ROCK SHAFT CPL.



ACCESSORIES AND ATTACHMENTS

<u>Part No.</u>	<u>Description</u>
505655-002	Universal Bobbin Winder Cpl.
505656-003	Thread Unwinder (for two spools) Cpl.
531122	Bobbin (4)
531133	Needle Cat. No. 6759-75 #11
531134	Machine Base Cushion (2)
531136-451	Drip Pan
531138	Machine Rest Pin (wood)
531143	Screw Driver (small)
531145	Screw Driver (long)
531148	Machine Hinge Connection Cushion (2)
531149	Machine Hinge Connection (2)
543132	Oil Spout

KNEE LIFTER ROCK SHAFT CPL.

<u>Part No.</u>	<u>Description</u>
3158-200	Rock Shaft Collar
4531-319	Wood Screw (4)
444265	Rock Shaft Knee Arm Hub (2)
531150	Rock Shaft
531137	Rock Shaft Hook
544775	Rock Shaft Knee Arm
544776	Rock Shaft Crank
544778	Rock Shaft Knee Arm Plate