

SINGER
240W12

REVISED COPY
MACHINE NO. 240W12

11-19-58

Dept. 33
40
53
61
70
83
86
88(3)

Mr. R.W. Hewey
Mr. H.J. Carter

92 Mr. F. Parry
Mr. F. Breul (2)
Mr. E. Koons
Mr. E. Poffenberger
Mr. J. Lombardo


REVISED COPY
MACHINE NO. 240w12

243601P Cloth Plate

Note: Cloth Plate 243601X will be furnished in place of 243601P if so specified on order.

243602 - Cloth Plate Gasket .
222119X " " Position Pin
691X " " Screw (3)
25878 Edge Guide
51224X " " Thumb Screw
243760 Face Plate
243761 " " 243760 with 243712, 243773 and two 200137X
200166X " " Screw (2)
243615 Feed Bar with 200394C and 243634
243616 " " Carrier with 243618 and two 243620
243617 " " " Hinge Stud
243618 " " " " " Bearing
200364C " " " " " Set Screw
243619 " " Hinge Stud
243620 " " " " Bearing
243681 " " " " Collar with 200141F
200141F " " " " " Set Screw
200394C " " " " Set Screw
243621 " " Slide Block
243794 Feed Dog, for Umbrella Seaming and Necktie Work, for 243795
243631 " " Adjusting Plate
202F " " " " Screw
176D " " Screw
243632 " Driving Connection Link with 243633
243633 " " " " Bearing
243634 " " " " Hinge Stud

REVISED COPY
MACHINE NO. 240w12

| | |
|----------|--|
| 243762 | Feed Driving Link |
| 243743 | " Lubricating Wick |
| 243637 | " Regulating Connection |
| 243638 | " " " Hinge Pin |
| 243789 | " " Crank with 200066D |
| 243640 | " " " Bushing |
| 200425C | " " " " Position Screw |
| 350589AL | " " " " " " Check Screw |
| 243790 | " " " Eccentric Stud |
| 243641 | " " " Link with 243642 |
| 243642 | " " " " Bearing |
| 200066D | " " " Pinch Screw |
| 243643 | " " " Wheel (indexed) with 243638 |
| 350642C | " " " Lock Screw |
| 243763 | " " " " " Lever |
| 1467X | " " " " " " Cap Screw |
| 213949 | " " " " " Washer |
| *243764 | Frame with 243665, 244026 and three 222119X |
| 243646 | " End Cover |
| 243745 | " " " 243646 with 243744 and 350366X |
| 243647 | " " " Gasket |
| 350366X | " " " Oil Stop Screw |
| 243744 | " " " " " " Gasket (vellumoid) |
| 200099X | " " " Screw (4) |
| 350366X | " Oil Stop Screw |
| 243765 | Looper  |
| 243649 | " Safety Guard |
| 243710 | " " " Compression Spring |

REVISED COPY
MACHINE NO. 240w12

| | |
|-----------|---|
| 243654 | Needle Bar with 9611 and 200141F |
| 243655 | " " Bushing (2) |
| 243656 | " " Connecting Link |
| 243657 | " " " Stud with 200086ALX and 206758 |
| 206758 | " " " " Oil Packing (wick) |
| 200086ALX | " " " " Pinch Screw |
| 243658 | " " Driving Connection with 243657 and 243660 |
| 243659 | " " " " Bushing (lower) |
| 243660 | " " " " " (upper) |
| 243766 | " " " Crank with 200058D |
| 243767 | " " " " 243766 with 243606 |
| 243606 | " " " " Ball Bearing |
| 200058D | " " " " Pinch Screw |
| 243768 | " " " Shaft with 12509 |
| 243769 | " " " " 243768 with 243609 |
| 243609 | " " " " Ball Bearing |
| 243770 | " " " " Oil Control Rod |
| 350643X | " " " " " Metering Screw |
| 201753X | " " " " " " " Nut |
| 243771 | " " " " Oiling Wick |
| 12509 | " " " " Pin |
| 243772 | " " " Oiling Felt |
| 243773 | " " " " Retainer |
| 9611 | " " Thread Tube |
| 200141F | " Set Screw |
| 243665 | Oil Lever Indicator |
| 243666 | " Reservoir Cover |
| 243667 | " " " Gasket |
| 200064X | " " " Screw (12) |
| 243774 | Presser Bar with 200110D |

REVISED COPY
MACHINE NO. 240w12

| | |
|----------|---|
| 243775 | Presser Bar Bushing |
| 243673 | " " Lifter |
| 200201C | " " " Hinge Screw |
| 243776 | " " Lifting Bracket with 200110D |
| 200110D | " " " " Pinch Screw |
| ✓243777 | " " " " Rock Shaft |
| 202510 | " " " " " Collar with 200141F |
| 200141F | " " " " " Set Screw |
| 243778 | " " " " " Crank with 200141XC |
| 200141XC | " " " " " Set Screw |
| 243779 | " " " " " Clamp Collar with 200089X |
| 200089X | " " " " Shaft Crank Clamp Collar Pinch Screw |
| 243749 | " " " " " Spring |
| 244026 | " " " " " Stop Pin |
| 243780 | " " Spring |
| 243781 | " " " Guide Rod |
| 1121X | " " Thumb Screw (pressure regulating) |
| 243675 | " Feet, for Umbrella Seaming and Necktie Work |
| 200110D | " " Screw |
| 2102 | Tension Disc (2) |
| 13710 | " Spring |
| 350557C | " Stud |
| 243782 | " Thread Guide |
| 1560F | " Thumb Nut |
| 243696 | Tension complete, Nos. 156CF, 13710, 350557C and two 2102 |
| 243791 | Thread Guide with 243792 and 243793 |
| 243792 | " " Eyelet Bushing |
| 243793 | " " " " Retaining Ring |
| 243698 | " Measuring Adjusting Knob (indexed) |

REVISED COPY
MACHINE NO. 240w12

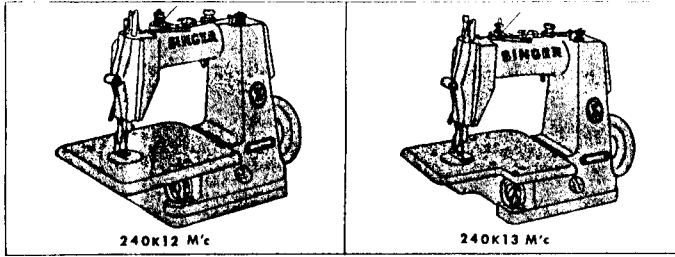
| | |
|----------|--|
| 200241C | Thread Measuring Adjusting Knob Hinge Screw |
| 243700 | " " " " Spring |
| 243701 | " " Pull-off Finger |
| 200136C | " " " " Screw |
| 243702 | " " Thread Guide |
| 222119X | " " " " Hinge Pin |
| 2455 | " Nipper Disc (2) |
| 243784 | " " Rod with 243706 and 243707 |
| 201754XC | " " " Nut |
| 201669E | " " " " Lock Nut |
| *243706 | " " " Operating Sleeve |
| 243707 | " " " " Plug |
| 243785 | " " " Spring |
| 350644X | " " Screw Bushing |
| 1623C | " " " " Lock Nut |
| 243786 | " " Thread Guide |
| 210683 | " Retainer Bracket with 200397X |
| 200137X | " " " Screw (2) |
| 210993 | " " Sleeve |
| 210992 | " " Spring |
| 243711 | " " Stud |
| 210958 | " " " Collar |
| 200397X | " " " Set Screw |
| 243712 | Thread Retainer Bracket complete, Nos. 210683, 210958, 210992 210993 and 243711 |
| 243795 | Throat Plate, for 243794 |
| 244X | " " Screw (2) |

REVISED COPY
MACHINE NO. 24Cw12

ACCESSORIES

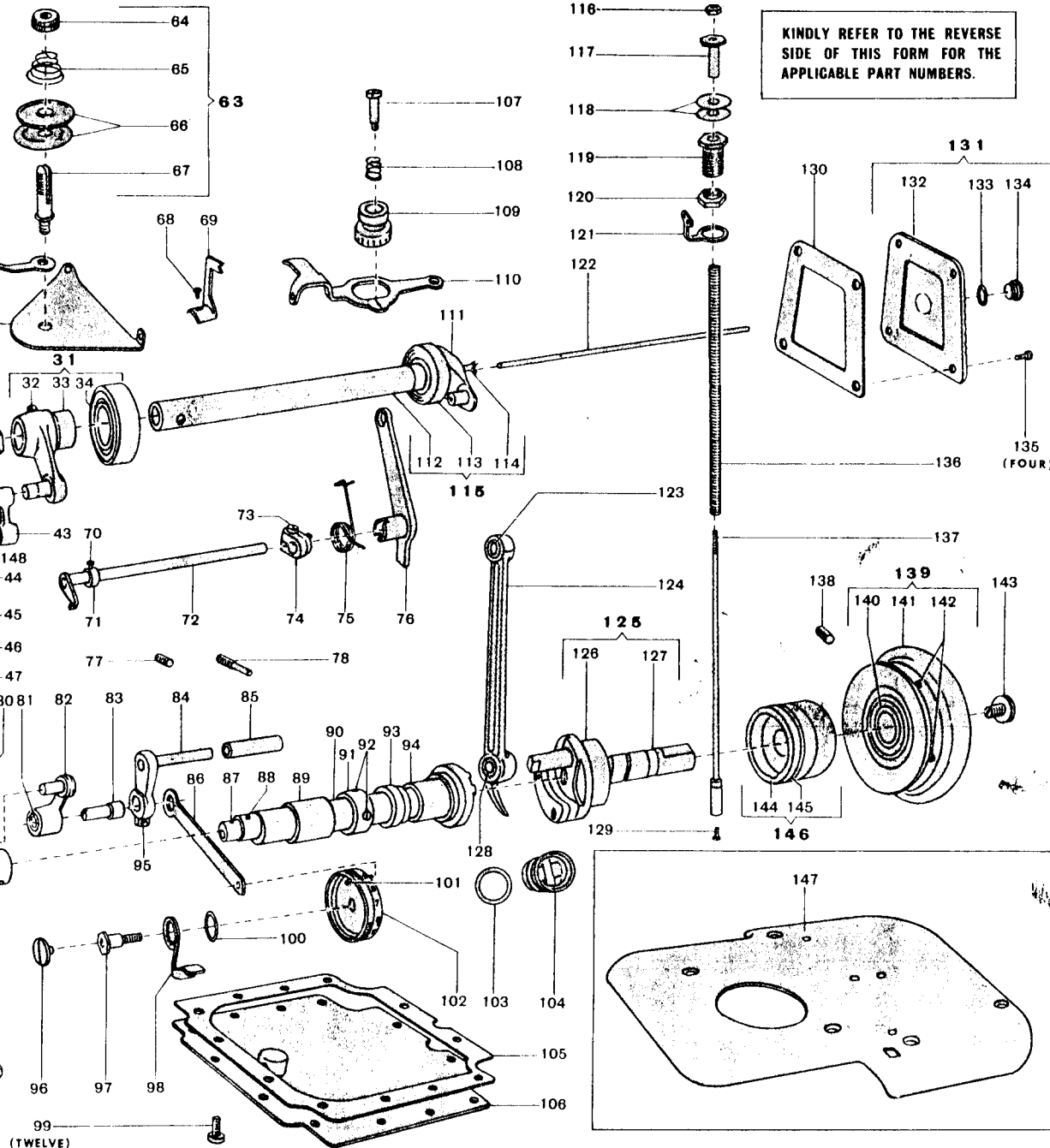
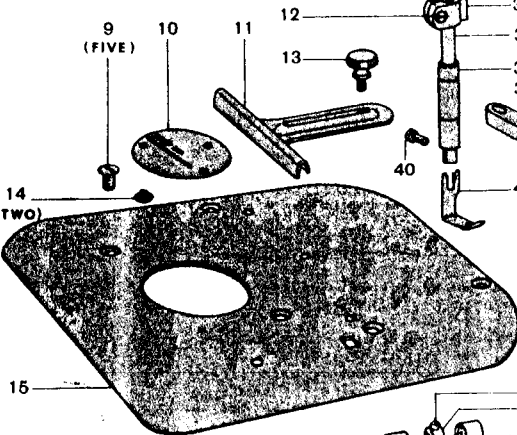
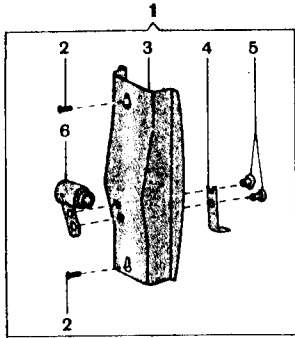
- 228720 Drip Pan with four each 228721 and wood screws 1-1/4 in.
No. 8, R.H.B.
- 228730 Knee Lifter Rock Lever complete
- 24 x 1 Needles, six, size #11
- 16C727 Oil Container (filled, 5 oz. Mfg. Oil, light grade, not
stainless) Nos. 16C725 and 16C726
- 16C728 " " Spout
- 225498 Screw Driver (7-1/4 in. long)
- 228476 " "
- 228775 Thread Unwinder (for one spool) complete
- 243787 Wrench
- 24C566 Wrench, (1/16 in. Hex.)

SINGER 240k12 & 240k13



240K12 M/c

240K13 M/c



KINDLY REFER TO THE REVERSE SIDE OF THIS FORM FOR THE APPLICABLE PART NUMBERS.

*A Trademark of THE SINGER MANUFACTURING COMPANY

THE SINGER MANUFACTURING COMPANY
Copyright under International Copyright Union

Form K6466 (1162)
Printed in Great Britain

* SCREW # 200394

LIST OF PARTS FOR 240K12 & 240K13 MACHINES

| Illustr. Ref. No. | Part No. | Description |
|-------------------|----------|---|
| 1 | 243761 | Face Plate Complete |
| 2 | 200166 | Face Plate Screw |
| 3 | 243760 | Face Plate |
| 4 | 243773 | Needle Bar Oiling Felt Retainer |
| 5 | 200137 | Thread Retainer Bracket Screw |
| 6 | 243712 | Thread Retainer Bracket Complete |
| 7 | 243673 | Presser Bar Lifter |
| 8 | 200201 | Presser Bar Lifter Hinge Screw |
| 9 | 691 | Cloth Plate Screw (4) |
| 9 | 691 | Looper Safety Guard Post Screw |
| 10 | 243795 | Throat Plate for 240K12 Machine |
| 10 | 243797 | Throat Plate for 240K13 Machine |
| 11 | 25878 | Edge Guide |
| 12 | 200110 | Presser Bar Lifting Bracket Pinch Screw |
| 13 | 51224 | Edge Guide Thumb Screw |
| 14 | 244 | Throat Plate Screw |
| 15 | 243601 | Cloth Plate for 240K12 Machine |
| 16 | 243619 | Feed Bar Hinge Stud |
| 17 | 243617 | Feed Bar Carrier Hinge Stud |
| 18 | 243602 | Cloth Plate Gasket |
| 19 | 243710 | Looper Safety Guard Compression Spring |
| 20 | 243649 | Looper Safety Guard |
| 21 | 243650 | Looper Safety Guard Post |
| 22 | 1121 | Presser Bar Thumb Screw (pressure regulating) |
| 23 | 243791 | Thread Guide |
| 24 | 243781 | Presser Bar Spring Guide Rod |
| 25 | 243780 | Presser Bar Spring for 240K12 Machine |
| 25 | 243788 | Presser Bar Spring for 240K13 Machine |
| 26 | 243792 | Thread Guide Eyelet Bushing |
| 27 | 243793 | Thread Guide Eyelet Bushing Retaining Ring |
| 28 | 243782 | Tension Thread Guide |
| 29 | 350643 | Needle Bar Driving Shaft Oil Metering Screw |
| 30 | 201753 | Needle Bar Driving Shaft Oil Metering Screw Nut |
| 31 | 243767 | Needle Bar Driving Crank Complete |
| 32 | 200058 | Needle Bar Driving Crank Pinch Screw |
| 33 | 243766 | Needle Bar Driving Crank |
| 34 | 243606 | Needle Bar Driving Crank Ball Bearing |
| 35 | 243776 | Presser Bar Lifting Bracket |
| 36 | 243774 | Presser Bar |
| 37 | 243775 | Presser Bar Bushing |
| 38 | 243772 | Needle Bar Oiling Felt |
| 39 | 9611 | Needle Bar Thread Tube |
| 40 | 200110 | Presser Foot Screw |
| 41 | 200086 | Needle Bar Connecting Stud Pinch Screw |
| 42 | 243675 | Presser Foot for 240K12 Machine |
| 42 | 243691 | Presser Foot for 240K13 Machine |
| 43 | 243656 | Needle Bar Connecting Link |
| 44 | 243657 | Needle Bar Connecting Stud |
| 45 | 243655 | Needle Bar Bushing |
| 46 | 243654 | Needle Bar |
| 47 | 200141 | Needle Set Screw |
| 48 | Cat. III | Needle, size II (24x1) |
| 49 | 200141 | Feed Bar Hinge Stud Collar Set Screw |
| 50 | 243681 | Feed Bar Hinge Stud Collar |
| 51 | 243616 | Feed Bar Carrier |
| 52 | 243634 | Feed Driving Connection Link Hinge Stud |
| 53 | 243620 | Feed Bar Hinge Stud Bearing |
| 54 | 243618 | Feed Bar Carrier Hinge Stud Bearing |
| 55 | 176 | Feed Dog Screw |
| 56 | 243794 | Feed Dog for 240K12 Machine |
| 56 | 243796 | Feed Dog for 240K13 Machine |
| 57 | 202 | Feed Dog Adjusting Plate Screw |
| 58 | 243631 | Feed Dog Adjusting Plate |
| 59 | 243765 | Looper |
| 60 | 243615 | Feed Bar |
| 61 | 243621 | Feed Bar Slide Block |
| 62 | 243762 | Feed Driving Link |
| 63 | 243696 | Tension Complete |
| 64 | 1560 | Tension Thumb Nut |
| 65 | 13710 | Tension Spring |
| 66 | 2102 | Tension Disc |
| 67 | 350557 | Tension Stud |
| 68 | 200136 | Thread Measuring Pull-off Finger Screw |
| 69 | 243701 | Thread Measuring Pull-off Finger |
| 70 | 200141 | Presser Bar Lifting Rock Shaft Collar Set Screw |
| 71 | 202510 | Presser Bar Lifting Rock Shaft Collar |
| 72 | 243777 | Presser Bar Lifting Rock Shaft |
| 73 | 200089 | Presser Bar Lifting Rock Shaft Crank Clamp Collar Pinch Screw |
| 74 | 243779 | Presser Bar Lifting Rock Shaft Crank Clamp Collar |

| Illustr. Ref. No. | Part No. | Description |
|-------------------|----------|--|
| 75 | 243749 | Presser Bar Lifting Rock Shaft Crank Spring |
| 76 | 243778 | Presser Bar Lifting Rock Shaft Crank |
| 77 | 350589 | Feed Regulating Crank Bushing Position Screw Check Screw |
| 78 | 200425 | Feed Regulating Crank Bushing Position Screw |
| 79 | 243633 | Feed Driving Connection Link Bearing |
| 80 | 243632 | Feed Driving Connection Link for 240K12 Machine |
| 80 | 243726 | Feed Driving Connection Link for 240K13 Machine |
| 81 | 243642 | Feed Regulating Crank Link Bearing |
| 82 | 243641 | Feed Regulating Crank Link |
| 83 | 243790 | Feed Regulating Crank Eccentric Stud |
| 84 | 243789 | Feed Regulating Crank |
| 85 | 243640 | Feed Regulating Crank Bushing |
| 86 | 243637 | Feed Regulating Connection for 240K12 Machine |
| 86 | 243727 | Feed Regulating Connection for 240K13 Machine |
| 87 | 350750 | Looper Set Screw (short) |
| 88 | 350589 | Looper Set Screw (long) |
| 89 | 243653 | Looper Shaft Bearing (front) |
| 90 | 243740 | Looper Shaft Complete |
| 91 | 243742 | Looper Shaft End Thrust Adjusting Collar |
| 92 | 200392 | Looper Shaft End Thrust Adjusting Collar Set Screw |
| 93 | 243741 | Looper Shaft End Thrust Bushing |
| 94 | 243652 | Looper Shaft Bearing (back) |
| 95 | 200066 | Feed Regulating Crank Pinch Screw |
| 96 | 1467 | Feed Regulating Wheel Lock Screw Lever Cap Screw |
| 97 | 350642 | Feed Regulating Wheel Lock Screw |
| 98 | 243763 | Feed Regulating Wheel Lock Screw Lever |
| 99 | 200064 | Oil Reservoir Cover Screw |
| 100 | 213949 | Feed Regulating Wheel Lock Screw Washer |
| 101 | 243658 | Feed Regulating Connection Hinge Pin |
| 102 | 243643 | Feed Regulating Wheel (Indexed) for 240K12 Machine |
| 102 | 243728 | Feed Regulating Wheel (Indexed) for 240K13 Machine |
| 103 | 243799 | Oil Level Indicator Oil Seal |
| 104 | 243798 | Oil Level Indicator |
| 105 | 243667 | Oil Reservoir Cover Gasket |
| 106 | 243666 | Oil Reservoir Cover |
| 107 | 200241 | Thread Measuring Adjusting Knob Hinge Screw |
| 108 | 243700 | Thread Measuring Adjusting Knob Spring |
| 109 | 243698 | Thread Measuring Adjusting Knob (Indexed) |
| 110 | 243702 | Thread Measuring Thread Guide |
| 111 | 12509 | Needle Bar Driving Shaft Pin |
| 112 | 243768 | Needle Bar Driving Shaft |
| 113 | 243609 | Needle Bar Driving Shaft Ball Bearing |
| 114 | 243771 | Needle Bar Driving Shaft Oiling Wick |
| 115 | 243769 | Needle Bar Driving Shaft Complete |
| 116 | 201669 | Thread Nipper Rod Nut Lock Nut |
| 117 | 201754 | Thread Nipper Rod Nut |
| 118 | 2455 | Thread Nipper Disc |
| 119 | 350644 | Thread Nipper Screw Bushing |
| 120 | 1623 | Thread Nipper Screw Bushing Lock Nut |
| 121 | 243786 | Thread Nipper Thread Guide |
| 122 | 243770 | Needle Bar Driving Shaft Oil Control Rod |
| 123 | 243660 | Needle Bar Driving Connection Bushing (upper) |
| 124 | 243658 | Needle Bar Driving Connection |
| 125 | 243608 | Machine Pulley Shaft Complete |
| 126 | 243609 | Machine Pulley Shaft Ball Bearing |
| 127 | 243607 | Machine Pulley Shaft |
| 128 | 243659 | Needle Bar Driving Connection Bushing (lower) |
| 129 | 243707 | Thread Nipper Rod Operating Sleeve Plug |
| 130 | 243647 | Frame End Cover Gasket |
| 131 | 243745 | Frame End Cover Complete |
| 132 | 243646 | Frame End Cover |
| 133 | 243744 | Frame End Cover Oil Stop Screw Gasket |
| 134 | 350366 | Frame End Cover Oil Stop Screw |
| 135 | 200099 | Frame End Cover Screw |
| 136 | 243785 | Thread Nipper Rod Spring |
| 137 | 243784 | Thread Nipper Rod |
| 138 | 200958 | Machine Pulley Shaft Sleeve Set Screw |
| 139 | 243731 | Machine Pulley Complete for 3/8" "V" Belt |
| 139 | 243732 | Machine Pulley Complete for 5/16" Belt |
| 140 | 243606 | Machine Pulley Ball Bearing |
| 141 | 243604 | Machine Pulley for 243731 |
| 141 | 243605 | Machine Pulley for 243732 |
| 142 | 200379 | Machine Pulley Set Screw |
| 143 | 350419 | Machine Pulley Adjusting Screw |
| 144 | 243611 | Machine Pulley Shaft Sleeve |
| 145 | 243613 | Machine Pulley Shaft Sleeve Oil Seal |
| 146 | 243612 | Machine Pulley Shaft Sleeve Complete |
| 147 | 243725 | Cloth Plate for 240K13 Machine |
| 148 | 206758 | Needle Bar Connecting Stud Oil Packing (wick) |
| 149 | 243743 | Feed Lubricating Wick |