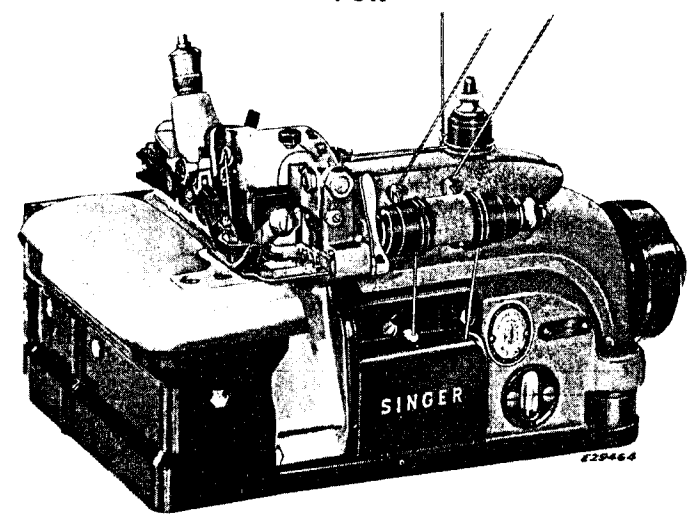


SINGER
246-16

LIST OF PARTS COMPLETE

FOR



MACHINE NO. 246-16

FOR INTERMITTANT GATHERING ON LIGHT AND MEDIUM WEIGHT FABRICS. ONE NEEDLE, ONE LOOPER. THREE THREAD TIGHT STITCH. GATHERING FEED. TRIMMER.

No.	Plate	Name
164001	24855	Chip Guard
1209J	24855	Chip Guard Screw (lower)
140509AL	24855	Chip Guard Screw (upper)
164593	24855	Cloth Plate.....
164002	24855	Cloth Plate Extension
51408AL	24855	Cloth Plate Extension Screw (2)
1700J	24855	Cloth Plate Extension Screw Nut
931084	24855	Cloth Plate Extension Screw Nut Lock Washer
164205	24855	Cloth Plate Lock Spring
1700J	24855	Cloth Plate Lock Spring Nut
931084	24855	Cloth Plate Lock Spring Nut Lock Washer
1250AL	24855	Cloth Plate Lock Spring Screw Stud
164104	24855	Cloth Plate Plunger
164105	24855	Cloth Plate Plunger Spring
624AL	24855	Cloth Plate Plunger Set Screw
164106	24855	Cloth Plate Position Collar with two 624AL
624AL	24855	Cloth Plate Position Collar Set Screw (2)

No.	Plate	Name
164594	24855	Cloth Plate with Extension complete, Nos. 164002, 164205, 164593 and two each 1700J, 51408AL and 931084
164003	24908	Feed Bar Hinge Pin (eccentric)
164686	24908	Feed Bar Hinge Pin Collar with two 735AL
735AL	24908	Feed Bar Hinge Pin Collar Set Screw (2)
1389AL	24908	Feed Bar Hinge Pin Set Screw
164004	24908	Feed Bar Slide Block (back) (2)
1628C	24908	Feed Bar Slide Block (back) Nut
17022	24908	Feed Bar Slide Block (back) Nut Washer
164005	24908	Feed Bar Slide Block (front)
164687	24908	Feed (back) Bar with 164010
164007	24908	Feed (back) Bar Connection
164008	24908	Feed (back) Bar Connection Bearing
164009	24908	Feed (back) Bar Connection Hinge Screw Stud
1671C	24908	Feed (back) Bar Connection Hinge Screw Stud Nut
164010	24908	Feed (back) Bar Connection Hinge Screw Stud Position Pin
164688	-----	Feed (back) and (front) Bars with Controlling Lever complete, Nos. 164005, 164006, 164007, 164008, 164009, 164664, 164665, 164687, 164690, 164694, 164698 and two each 1671C and 164004
164866	24909	Feed (back) Dog Section (left)
164012	24909	Feed (back) Dog Section (right)
1100AL	24909	Feed (back) Dog Section (right) Screw
164867	24909	Feed (back) Dog complete, Nos. 1100AL, 164012 and 164866
1454F	24909	Feed (back) Dog Screw
164020	24908	Feed (back) Eccentric
	NOTE:	Feed (back) Eccentric No. 164020 is furnished in 6 to 16, 18, 20, 22, 24, 28, 32 and 36 stitches to the inch unless otherwise stated, No. 164020 (14 stitches to the inch) is supplied regularly.
164006	24908	Feed (front) Bar with 164010
164868	24909	Feed (front) Dog
164690	24908	Feed (front) Dog Controlling Lever
164691	24910	Feed (front) Dog Controlling Lever Ball Joint
164692	24910	Feed (front) Dog Controlling Lever Ball Joint Position Plate (back)
164693	24910	Feed (front) Dog Controlling Lever Ball Joint Position Plate (front)
190X	24910	Feed (front) Dog Controlling Lever Ball Joint Position Screw (2)
164694	24908	Feed (front) Dog Controlling Lever Connection

No.	Plate	Name
164664	24908	Feed (front) Dog Controlling Lever Connection Bearing
164665	24908	Feed (front) Dog Controlling Lever Connection Hinge Screw Stud
1671C	24908	Feed (front) Dog Controlling Lever Connection Hinge Screw Stud Nut
164010	24908	Feed (front) Dog Controlling Lever Connection Hinge Screw Stud Pin
164695	24908	Feed (front) Dog Controlling Lever Connection Stud
1700X	24908	Feed (front) Dog Controlling Lever Connection Stud Nut
164696	24908	Feed (front) Dog Controlling Lever Segment
164697	-----	Feed (front) Dog Controlling Lever Segment 164696 with 164700 and two 50388AL
164698	-----	Feed (front) Dog Controlling Lever Segment 164697 with 1454F, 164701, 164702 and 164703
164699	24908	Feed (front) Dog Controlling Lever Segment Bracket
164700	-----	Feed (front) Dog Controlling Lever Segment Bracket 164699 with 1700X and 164695
164701	24908	Feed (front) Dog Controlling Lever Segment Guide
164702	24908	Feed (front) Dog Controlling Lever Segment Guide Adjusting Cam
164703	24908	Feed (front) Dog Controlling Lever Segment Guide Adjusting Cam Roller
1454F	24908	Feed (front) Dog Controlling Lever Segment Guide Adjusting Cam Roller Screw
50388AL	24908	Feed (front) Dog Controlling Lever Segment Screw (2)
1454F	24909	Feed (front) Dog Screw
164020	24908	Feed (front) Eccentric
	NOTE:	Feed (front) Eccentric No. 164020 is furnished in 6 to 16, 18, 20, 22, 24, 28, 32 and 36 stitches to the inch unless otherwise stated, No. 164020 (14 stitches to the inch) is supplied regularly.
164520	24908	Feed Eccentric Cover
164704	24908	Feed Eccentric Cover Bracket
164705	-----	Feed Eccentric Cover Bracket 164704 with 164023
157AL	24908	Feed Eccentric Cover Bracket Screw
629K	24908	Feed Eccentric Cover Hinge Screw
164401	24908	Feed Eccentric Cover Latch Spring

No.	Plate	Name
227J	24908	Feed Eccentric Cover Latch Spring Screw (2).....
164023	24908	Feed Eccentric Oil Wick
164706	24908	Feed Eccentric Cover complete, Nos. 629K, 164401, 164520, 164705 and two 227J
164025	24904	Feed Lifting and Knife (movable) Lever Eccentric
164707	24910	Gathering Device Indicator Plate
140077X	24910	Gathering Device Indicator Plate Screw (4)
164708	24910	Gathering Device Lever and Indicator
164856	-----	Gathering Device Lever and Indicator 164708 with 164691, 164692, 164693 and two 190X
103X	24910	Gathering Device Lever and Indicator Chain Screw
164709	24910	Gathering Device Lever and Indicator Extension
50117AL	24910	Gathering Device Lever and Indicator Extension Screw
50113X	24911	Gathering Device Lever and Indicator Extension Stop Screw
164710	24910	Gathering Device Lever and Indicator Guide Plate
140764X	24910	Gathering Device Lever and Indicator Guide Plate Screw (2)
140185X	24910	Gathering Device Lever and Indicator Hinge Screw
164711	24910	Gathering Device Lever and Indicator Spring
50101X	24910	Gathering Device Lever and Indicator Spring Screw
164712	24910	Gathering Device Lever and Indicator Stop (lower)
1209X	24910	Gathering Device Lever and Indicator Stop (lower) Screw
1547X	24910	Gathering Device Lever and Indicator Stop (lower) Screw Nut
164713	24910	Gathering Device Lever and Indicator Stop (upper)
1209X	24910	Gathering Device Lever and Indicator Stop (upper) Screw
1547X	24910	Gathering Device Lever and Indicator Stop (upper) Screw Nut
164871	24909	Gathering Plate (swing-up)
164872	24909	Gathering Plate (swing-up) Holder
164873	24909	Gathering Plate (swing-up) Holder Housing with 50292C
1517J	24909	Gathering Plate (swing-up) Holder Housing Nut
442AL	24909	Gathering Plate (swing-up) Holder Housing Stop Screw

No.	Plate	Name
1628J	24909	Gathering Plate (swing-up) Holder Housing Stop Screw Nut
164874	24909	Gathering Plate (swing-up) Holder Housing Support
50409C	24909	Gathering Plate (swing-up) Holder Housing Support Hinge Screw
49204	24909	Gathering Plate (swing-up) Holder Housing Support Hinge Screw Friction Washer
1655J	24909	Gathering Plate (swing-up) Holder Housing Support Hinge Screw Nut
164875	24909	Gathering Plate (swing-up) Holder Housing Support Joint
1259AL	24911	Gathering Plate (swing-up) Holder Housing Support Set Screw
1264C	24909	Gathering Plate (swing-up) Holder Stop Screw
164876	24909	Gathering Plate (swing-up) Lifter
50318J	24909	Gathering Plate (swing-up) Lifter Adjusting Screw
1772J	24909	Gathering Plate (swing-up) Lifter Adjusting Screw Nut
164886	24909	Gathering Plate (swing-up) Lifter Lever (adjustable) with 1772J and 50318J
140180J	24909	Gathering Plate (swing-up) Lifter Lever Screw
50169C	24909	Gathering Plate (swing-up) Lifter Screw (2)
165034	24909	Gathering Plate (swing-up) Lifting Lever with 853AL
853AL	24909	Gathering Plate (swing-up) Lifting Lever Set Screw
217J	24909	Gathering Plate (swing-up) Screw
164877	-----	Gathering Plate (swing-up) Tension Spring
164878	24909	Gathering Plate (swing-up) Tension Spring Pressure Adjusting Head (hexagon)
50292C	24909	Gathering Plate (swing-up) Tension Spring Pressure Adjusting Head Set Screw
164880	24909	Gathering Plate (swing-up) with Holder, Holder Housing and Housing Support complete, Nos. 217J, 442AL, 1264C, 1517J, 1628J, 1655J, 49204, 50409C, 140180J, 164871, 164872, 164873, 164874, 164875, 164876, 164877, 164878, 164886, 165034 and two 50169C
164550	24912	Knife (movable)
164027	24912	Knife (movable) Clamp
140050C	24912	Knife (movable) Clamp Screw
164028	24912	Knife (movable) Guard (lower)
164458	24912	Knife (movable) Guard (upper)

No.	Plate	Name
164029	24912	Knife (movable) Holder
198J	24912	Knife (movable) Holder Screw
164030	24912	Knife (movable) Holder Screw Bearing
164714	24912	Knife (movable) Lever with 620AL
164715	-----	Knife (movable) Lever 164714 with 132583, 164035, 164136 and 164153
164032	24912	Knife (movable) Lever Bearing
447AL	24912	Knife (movable) Lever Bearing Set Screw (long)
624AL	24912	Knife (movable) Lever Bearing Set Screw (short)
164373	24911	Knife (movable) Lever Cover and Presser Bar (upright) Housing with 1259AL
50073J	24911	Knife (movable) Lever Cover and Presser Bar (upright) Housing Screw (2)
164716	-----	Knife (movable) Lever Cover and Presser Bar (upright) Housing complete, Nos. 50060K, 164137, 164139, 164142, 164143, 164144, 164194, 164373 and 164723
164180	24912	Knife (movable) Lever Guide
164181	24912	Knife (movable) Lever Guide Holder with two 140239AL
164210	24912	Knife (movable) Lever Guide Holder 164181 with 197J, 164177, 164180 and 164182
164182	24912	Knife (movable) Lever Guide Holder Thread Tube
140239AL	24912	Knife (movable) Lever Guide Holder Thread Tube Set Screw (holder end)
447AL	24912	Knife (movable) Lever Guide Holder Thread Tube Set Screw (machine frame end)
197J	24912	Knife (movable) Lever Guide Screw
132583	24912	Knife (movable) Lever Hinge Pin with 132584
132584	24912	Knife (movable) Lever Hinge Pin Oil Wick
620AL	24912	Knife (movable) Lever Hinge Pin Set Screw
164034	24912	Knife (movable) Lever Hinge Stud
164035	-----	Knife (movable) Lever Hinge Stud 164034 with 164036 and 164269
164036	24912	Knife (movable) Lever Hinge Stud Oil Wick (long)
164269	-----	Knife (movable) Lever Hinge Stud Oil Wick (short)
447AL	24912	Knife (movable) Lever Hinge Stud Set Screw (back)
1143AL	24912	Knife (movable) Lever Hinge Stud Set Screw (top)
164728	24912	Knife (stationary) (2)
164744	24912	Knife (stationary) Clamping Gib
140788C	24912	Knife (stationary) Clamping Gib Screw ..
3146	24912	Knife (stationary) Clamping Gib Screw Washer

No.	Plate	Name
164746	24912	Knife (stationary) Holder
164747	-----	Knife (stationary) Holder (adjustable) complete, Nos. 742F, 164745 and 164746
164748	24912	Knife (stationary) Holder (adjustable) with Gib complete, Nos. 3146, 140788C, 164744 and 164747
164590	24912	Knife (stationary) Holder Adjusting Stud
190E	24912	Knife (stationary) Holder Adjusting Stud Cap Screw
39541	24912	Knife (stationary) Holder Adjusting Stud Cap Screw Washer
164745	24912	Knife (stationary) Holder Body with two 50611C
50611C	24912	Knife (stationary) Holder Position Screw (2)
742F	24912	Knife (stationary) Holder Screw
164042	24912	Knife (stationary) Holder Sleeve
140088R	24912	Knife (stationary) Holder Sleeve Screw ..
175032	24912	Knife (stationary) Holder Sleeve Screw Washer
164043	24912	Knife (stationary) Holder Spring
164525	24912	Knife (stationary) Spring Stud
164462	24912	Lint Stripper with 735AL
735AL	24912	Lint Stripper Screw
164045	24913	Looper (left hand)
164046	24913	Looper (left hand) Carrier with 460AL, 50379F and 164202
164660	24913	Looper (left hand) Carrier Holder with 1083C, 140393AL and 140596AL
164661	-----	Looper (left hand) Carrier Holder 164660 with 1324C, 59456 and 164046
1083C	24913	Looper (left hand) Carrier Holder Clamping Screw
140596AL	-----	Looper (left hand) Carrier Holder Set Screw (left)
140393AL	24913	Looper (left hand) Carrier Holder Set Screw (right)
1324C	24913	Looper (left hand) Carrier Screw
460AL	24913	Looper (left hand) Carrier Screw Set Screw
59456	24913	Looper (left hand) Carrier Screw Washer
164048	24913	Looper (left hand) Driving Shaft
164049	24913	Looper (left hand) Driving Shaft Bushing (back)
140394E	24913	Looper (left hand) Driving Shaft Bushing (back) Cap Screw
164293	24913	Looper (left hand) Driving Shaft Bushing (back) Cap Screw Washer
164737	24913	Looper (left hand) Driving Shaft Bushing (front)
164051	24913	Looper (left hand) Driving Shaft Crank with 1083C

No.	Plate	Name
1083C	24913	Looper (left hand) Driving Shaft Crank Clamping Screw
164052	24904	Looper (left hand) Driving Shaft Crank Connection with two each 171AL and 140159AL
164215	-----	Looper (left hand) Driving Shaft Crank 164051 with 164052
171AL	24904	Looper (left hand) Driving Shaft Crank Connection Cap (lower) Screw (2)
140159AL	24904	Looper (left hand) Driving Shaft Crank Connection Cap (upper) Screw (2).....
164067	24913	Looper (left hand) Driving Shaft Crank Key
1324C	24913	Looper (left hand) Driving Shaft Crank Key Screw.....
45057	24913	Looper (left hand) Driving Shaft Crank Key Screw Washer
164053	24913	Looper (left hand) Driving Shaft Crank Thrust Bearing.....
164739	24913	Looper (left hand) Driving Shaft Oil Ring (rubber)
164740	24913	Looper (left hand) Driving Shaft Oil Ring Spacer
50379F	24913	Looper (left hand) Set Screw
164202	24913	Looper (left hand) Stop Pin.....
164054	24909	Looper (left hand) Thread Tube
853AL	24909	Looper (left hand) Thread Tube Set Screw
164055	24913	Looper (right hand)
164056	24913	Looper (right hand) Carrier with 50370AL
164828	24913	Looper (right hand) Carrier Connection ..
164829	-----	Looper (right hand) Carrier Connection and Guide Bar Nos. 1700J, 50420AL, 164785, 164786 and 164828
164597	24913	Looper (right hand) Carrier Connection Guide Bar Bracket with two 462AL
914C	24913	Looper (right hand) Carrier Connection Guide Bar Bracket Screw (left)
1057AL	24913	Looper (right hand) Carrier Connection Guide Bar Bracket Screw (right).....
164785	24913	Looper (right hand) Carrier Connection Guide Bar Oil Controlling Screw Seat (Brass)
50420AL	24913	Looper (right hand) Carrier Connection Guide Bar Oil Plug Screw
1700J	24913	Looper (right hand) Carrier Connection Guide Bar Oil Plug Screw Nut
164786	24913	Looper (right hand) Carrier Connection Guide Bar Oil Wick
462AL	24913	Looper (right hand) Carrier Connection Guide Bar Set Screw (2)
164061	-----	Looper (right hand) Carrier Connection Hinge Stud with 1019AL

No.	Plate	Name
1443J	24913	Looper (right hand) Carrier Connection Hinge Stud Cap Screw.....
164397	24913	Looper (right hand) Carrier Connection Hinge Stud Adjusting Pin
1019AL	-----	Looper (right hand) Carrier Connection Hinge Stud Adjusting Pin Set Screw.....
132565	24913	Looper (right hand) Carrier Hinge Pin
50370AL	24913	Looper (right hand) Carrier Hinge Pin Set Screw
164062	24913	Looper (right hand) Driving Lever with 1083C and two 140596AL
164830	-----	Looper (right hand) Driving Lever 164062 with 1443J, 1700J, 132565, 164056, 164061, 164068, 164397, 164597 and 164829
1083C	24913	Looper (right hand) Driving Lever Clamping Screw
140596AL	24913	Looper (right hand) Driving Lever Set Screw (2)
164063	24913	Looper (right hand) Driving Shaft
164049	24913	Looper (right hand) Driving Shaft Bushing (back)
140394E	24913	Looper (right hand) Driving Shaft Bushing (back) Cap Screw
164293	24913	Looper (right hand) Driving Shaft Bushing (back) Cap Screw Washer
164738	24913	Looper (right hand) Driving Shaft Bushing (front)
164066	24913	Looper (right hand) Driving Shaft Crank with 1083C
164216	-----	Looper (right hand) Driving Shaft Crank 164066 with 164052
1083C	24913	Looper (right hand) Driving Shaft Crank Clamping Screw
164052	24904	Looper (right hand) Driving Shaft Crank Connection with two each 171AL and 140159AL
171AL	24904	Looper (right hand) Driving Shaft Crank Connection Cap (lower) Screw (2)
140159AL	24904	Looper (right hand) Driving Shaft Crank Connection Cap (upper) Screw (2)
164067	24913	Looper (right hand) Driving Shaft Crank Key
1324C	24913	Looper (right hand) Driving Shaft Crank Key Screw
45057	24913	Looper (right hand) Driving Shaft Crank Key Screw Washer
164053	24913	Looper (right hand) Driving Shaft Crank Thrust Bearing
164739	24913	Looper (right hand) Driving Shaft Oil Ring (rubber)

No.	Plate	Name
164740	24913	Looper (right hand) Driving Shaft Oil Ring Spacer
164068	24913	Looper (right hand) Locking Screw Stud ..
1700J	24913	Looper (right hand) Locking Screw Stud Nut
164219	24913	Looper (right hand) Position Collar with 904AL
904AL	24913	Looper (right hand) Position Collar Set Screw.....
*164072	-----	Machine Frame.....
*164526	-----	Machine Frame complete, Nos. 140396E, 164072, 164077, 164528 and three 140395C
164074	24914	Machine Frame Bottom Cover.....
164075	24914	Machine Frame Bottom Cover Gasket
914C	24914	Machine Frame Bottom Cover Screw (13)
*164527	-----	Machine Frame Bracket
*164528	-----	Machine Frame Bracket 164527 with 164207 and two 187E
164207	24915	Machine Frame Bracket Key.....
187E	24915	Machine Frame Bracket Key Screw (2).....
140396E	24915	Machine Frame Bracket Screw (large)
164077	24915	Machine Frame Bracket Screw (large) Washer (fiber)
164229	24915	Machine Frame Bracket Screw (large) Washer (felt).....
140395C	24915	Machine Frame Bracket Screw (small) (3)
164717	24910	Machine Frame Cover (back)
50571J	24910	Machine Frame Cover (back) Screw (long) (2)
914J	24910	Machine Frame Cover (back) Screw (short)
164718	-----	Machine Frame Cover (back) 164717 with 1637K and 140228C
164719	24910	Machine Frame Cover (back) 164718 with 103X, 50101X, 50117AL, 140185X, 164709, 164710, 164711, 164712, 164713, 164856 and two each 1209X, 1547X and 140764X
164081	24915	Machine Frame Oil Lead
140088E	24915	Machine Frame Oil Lead Screw
1698J	24915	Machine Frame Oil Lead Screw Nut
164720	24915	Machine Frame Oil Plug Bracket with 447AL
164721	24915	Machine Frame Oil Plug Bracket Oil Tube
447AL	24915	Machine Frame Oil Plug Bracket Oil Tube Set Screw
140346AL	24915	Machine Frame Oil Plug Bracket Set Screw
164083	24915	Machine Frame Oil Screen.....
206J	24915	Machine Frame Oil Screen Screw (3)
164608	24915	Machine Frame Oil Splash Guard (internal)

No.	Plate	Name
164605	24915	Machine Frame Oil Splash Guard (internal) Oil Pad
164606	24915	Machine Frame Oil Splash Guard (internal) Oil Pad Fastener
164609	24915	Machine Frame Oil Splash Guard (internal) complete, Nos. 164605, 164606 and 164603
164085	24911	Machine Frame Oil Splash Guard (top)
51023W	24911	Machine Frame Oil Splash Guard (top) Screw
164086	24915	Machine Frame Oil Tube with 164087
447AL	24915	Machine Frame Oil Tube Set Screw
164087	24915	Machine Frame Oil Tube Wick
164089	24904	Machine Frame Rotary Shaft
164090	-----	Machine Frame Rotary Shaft 164089 with 164097, 164215, 164216, 164217 and two each 164093 and 164232
139026	24904	Machine Frame Rotary Shaft Ball Bearing
164092	24904	Machine Frame Rotary Shaft Ball Bearing Housing
51369C	24904	Machine Frame Rotary Shaft Ball Bearing Housing Screw (3)
164093	24904	Machine Frame Rotary Shaft Ball Sleeve (two pieces) (2)
164232	24904	Machine Frame Rotary Shaft Ball Sleeve Guide (2)
164958	24904	Machine Frame Rotary Shaft Bushing (front)
164959	-----	Machine Frame Rotary Shaft Bushing (front) Oil Ring (rubber)
164960	-----	Machine Frame Rotary Shaft Bushing (front) Oil Ring Spacer
1036AL	24904	Machine Frame Rotary Shaft Bushing (front) Set Screw
164095	24904	Machine Frame Rotary Shaft Bushing (intermediate)
51332C	24904	Machine Frame Rotary Shaft Bushing (intermediate) Set Screw
164096	24904	Machine Frame Rotary Shaft Counterbalance with 1036AL
1036AL	24904	Machine Frame Rotary Shaft Counterbalance Set Screw
164097	24904	Machine Frame Rotary Shaft Key
51649C	24904	Machine Frame Rotary Shaft Nut
131056	24904	Machine Frame Rotary Shaft Nut Washer ..
164098	24904	Machine Frame Rotary Shaft Oil Return and Ball Bearing Grease Retainer
164099	24904	Machine Frame Rotary Shaft Screw Stud ..
164100	24904	Machine Frame Rotary Shaft Thrust Bearing
164101	24772	Machine Frame Top Cover
164214	-----	Machine Frame Top Cover 164101 with 330J, 164103 and two 164418

No.	Plate	Name
164102	24772	Machine Frame Top Cover Gasket
164103	24772	Machine Frame Top Cover Oil Lead
330J	24772	Machine Frame Top Cover Oil Lead Screw
51369J	24772	Machine Frame Top Cover Screw (3)
164231	24904	Machine Pulley (round and "V" belt) with two 448AL
164071	24904	Machine Pulley Cap
140416X	24904	Machine Pulley Cap Screw.....
448AL	24904	Machine Pulley Set Screw (2)
164109	24911	Needle Clamp
51720C	24911	Needle Clamping Nut
164110	24911	Needle Driving Shaft with 164118.....
164275	-----	Needle Driving Shaft 164110 with 51720C, 164109 and 164117.....
164111	24911	Needle Driving Shaft Bushing
164112	24911	Needle Driving Shaft Bushing Cap
164113	24911	Needle Driving Shaft Bushing Oil Lead....
452AL	24911	Needle Driving Shaft Bushing Oil Lead Hole Plug Screw
164114	24911	Needle Driving Shaft Crank with 1083C and two 140596AL
164115	24911	Needle Driving Shaft Crank Ball.....
1083C	24911	Needle Driving Shaft Crank Clamping Screw
164217	24904	Needle Driving Shaft Crank Connection with 164115
157AL	24904	Needle Driving Shaft Crank Connection Cap (lower) Screw (2)
171AL	24904	Needle Driving Shaft Crank Connection Cap (upper) Screw (2)
140596AL	24911	Needle Driving Shaft Crank Set Screw (2)
164117	24911	Needle Holder
164118	24911	Needle Stop Pin.....
164119	24904	Oil Agitator
164120	24915	Oil Cooler with two 164125
164121	24915	Oil Cooler Cover
164123	24915	Oil Cooler Cover 164121 with 164135
164122	24915	Oil Cooler Cover Gasket
145J	24915	Oil Cooler Cover Screw.....
164124	24915	Oil Cooler Gasket
164125	24915	Oil Cooler Oil Pipe (outlet, left)
164125	24915	Oil Cooler Oil Pipe (outlet, right)
164126	24915	Oil Cooler Oil Tube with 138269 and 164128
164736	-----	Oil Cooler Oil Tube 164126 with 51630 and 164127
164127	24915	Oil Cooler Oil Tube Coupling
51630	24915	Oil Cooler Oil Tube Lock Nut.....
*138269	-----	Oil Cooler Oil Tube Sleeve
164128	24915	Oil Cooler Oil Tube Wick
51139J	24915	Oil Cooler Screw (long) (2)

No.	Plate	Name
1324J	24915	Oil Cooler Screw (short)
164131	24915	Oil Sight Gauge Background Disc
164132	24915	Oil Sight Gauge Background Disc Gasket
164133	24915	Oil Sight Gauge Window
164132	24915	Oil Sight Gauge Window Gasket
164134	24915	Oil Sight Gauge Window Retainer
164132	24915	Oil Sight Gauge Window Retainer Gasket
1485AL	24915	Oil Sight Gauge Window Retainer Screw (2)
164135	24915	Oil Cup for filling machine
164607	24912	Oil Deflector
164136	24912	Presser Bar Bracket
164137	24911	Presser Bar Lifting Bracket with 462AL, 624AL and 51846
51846	24911	Presser Bar Lifting Bracket Roller and Stud
624AL	24911	Presser Bar Lifting Bracket Set Screw (long)
462AL	24911	Presser Bar Lifting Bracket Set Screw (short)
164723	24911	Presser Bar Lifting Lever
164139	24911	Presser Bar Lifting Lever Spring
140228C	24910	Presser Bar Lifting Lever Stop Screw
1637K	24910	Presser Bar Lifting Lever Stop Screw Nut
164350	24912	Presser Bar (swing-out).....
164141	24912	Presser Bar (swing-out) Lifting Screw Stud
1700J	24912	Presser Bar (swing-out) Lifting Screw Stud Nut
164142	24911	Presser Bar (swing-out) Opening Lever ..
50060K	24911	Presser Bar (swing-out) Opening Lever Hinge Screw
140510C	24912	Presser Bar (swing-out) Pivot Screw
164351	24912	Presser Bar (swing-out) Pivot Screw Lock Washer
51362AL	24912	Presser Bar (swing-out) Pivot Screw Lock Washer Screw
164143	24911	Presser Bar (upright)
164144	24911	Presser Bar (upright) Spring
164416	-----	Presser Bar (upright) Spring (heavy)
164887	24909	Presser Foot Body
164146	24909	Presser Foot Chaining-off Finger
164147	24909	Presser Foot Clamping Plate
50225J	24909	Presser Foot Clamping Plate Screw
164888	24909	Presser Foot complete, Nos. 50225J, 164146, 164147 and 164887
164194	24911	Pressure Regulating Thumb Screw.....
2102	24772	Tension (heavy) Disc (4)
164155	24772	Tension (heavy) Regulating Thumb Nut (2)
50133C	24772	Tension (heavy) Screw Stud (2)
164156	-----	Tension (heavy) Screw Stud 50133C and 164155 (2)
164161	24772	Tension (heavy) Spring (2)

No.	Plate	Name
59537	24772	Tension (heavy) Spring Bushing (2)
164158	24772	Tension (heavy) Spring Cover (2)
164162	24772	Tension (heavy) complete, Nos. 59537, 164156, 164158, 164161 and two 2102 (2)
2102	24772	Tension (light) Disc (2)
164155	24772	Tension (light) Regulating Thumb Nut
50133C	24772	Tension (light) Screw Stud
164156	-----	Tension (light) Screw Stud 50133C with 164155
164157	24772	Tension (light) Spring
59537	24772	Tension (light) Spring Bushing
164158	24772	Tension (light) Spring Cover
164160	24772	Tension (light) complete, Nos. 59537, 164156, 164157, 164158 and two 2102
164285	24772	Tension (looper thread) Thread Guide (left)
164286	24772	Tension (looper thread) Thread Guide (right)
164159	24772	Tension (needle thread) Thread Guide
164418	24772	Tension Thread Eyelet (2)
164091	24913	Thread (looper, right hand) Stripper and Take-up with 164555
164163	24761	Thread (looper, right hand) Stripper and Take-up Eyelet (adjustable)
1443J	24761	Thread (looper, right hand) Stripper and Take-up Eyelet (adjustable) Screw
164555	-----	Thread (looper, right hand) Stripper and Take-up Guide Wire
187E	24913	Thread (looper, right hand) Stripper and Take-up Screw
17022	24913	Thread (looper, right hand) Stripper and Take-up Screw Washer
164164	24761	Thread (looper, right hand) Thread Eyelet (movable)
1423J	24761	Thread (looper, right hand) Thread Eyelet Screw
164165	24761	Thread (looper, right hand) Thread Eyelet (stationary)
1607J	24761	Thread (looper, right hand) Thread Eyelet (stationary) Nut
164166	24761	Thread (looper, right hand) Tube
624AL	24761	Thread (looper, right hand) Tube Set Screw
164167	24761	Thread (looper) Plate with 624AL
164168	24761	Thread (looper) Plate Cover
164206	-----	Thread (looper) Plate Cover 164168 with 164169 and 164170
164169	24761	Thread (looper) Plate Cover Hinge
164170	24761	Thread (looper) Plate Cover Hinge Pin
164171	24761	Thread (looper) Plate Cover Spring (2) ...
332J	24761	Thread (looper) Plate Cover Spring Screw (2)

No.	Plate	Name
896AL	24761	Thread (looper) Plate Screw (2)
164173	24761	Thread (looper) Plate Thread Bushing
50318W	24761	Thread (looper) Plate Thread Bushing Screw
164174	-----	Thread (looper) Plate complete, Nos. 1423J, 1443J, 1607J, 50318W, 164163, 164164, 164165, 164166, 164167, 164173, 164206 and two each 332J and 164171
164175	24913	Thread (looper) Take-up (left)
164176	24913	Thread (looper) Take-up Plate
190E	24913	Thread (looper) Take-up Screw (lower)
1443J	24913	Thread (looper) Take-up Screw (upper)
164151	24912	Thread (needle) Controller
164153	24912	Thread (needle) Controller Lever
1443J	24912	Thread (needle) Controller Screw (2)
164177	24912	Thread Eyelet (needle thread)
140239AL	24912	Thread Eyelet (needle thread) Set Screw
164870	24909	Throat Plate
164882	24909	Throat Plate Guide with 853AL
1454E	24909	Throat Plate Guide Screw
1094F	24909	Throat Plate Screw (2)

PARTS REQUIRED FOR SHORTENING LENGTH OF STITCH AT THE WILL OF THE OPERATOR.

NOTE: To be furnished only when so ordered.

No.	Plate	Name	In place of
164820	24916	Feed Dog Section (left)	
164821	24916	Feed Dog Section (right).....	
1100AL	24916	Feed Dog Section (right) Screw	
164822	24916	Feed Dog complete, Nos. 1100AL, 164820 and 164821	164867 and 164868
164733	24917	Machine Frame Cover (back) 164718 with 103X, 50101X, 50117AL, 140185X, 164710, 164711, 164712, 164713, 164732, 164856 and two each 1209X, 1547X and 140764X.....	164719
164734	24916	Presser Foot Body	164887
164220	24916	Presser Foot Chain Cutter Friction Plate	
164221	24916	Presser Foot Chain Cutter Knife	
51306E	24916	Presser Foot Chain Cutter Knife Screw	
164146	24916	Presser Foot Chaining-off Finger	
164147	24916	Presser Foot Clamping Plate	
50225J	24916	Presser Foot Clamping Plate Screw	
164149	24916	Presser Foot Guide	
50169J	24916	Presser Foot Guide Screw....	
164735	24916	Presser Foot with Chain Cutter complete, Nos. 50169J, 50225J, 51306E, 164146, 164147, 164149, 164220, 164221 and 164734	164888
164732	24917	Stitch Regulating Device Controlling Lever	164709
164227	24916	Throat Plate	164870
164591	24916	Throat Plate Guide with 853AL	164882

ACCESSORIES

No.	Plate	Name
164203	24918	Feed Eccentric Extractor (not regularly furnished with Machine)
164592	-----	Gauge (not regularly furnished with Machine)
160725	24918	Oil Container
160727	24918	Oil Container (filled 5 oz. mfg. oil, light grade, not stainless) Nos. 160725 and 160726.....
160726	24918	Oil Container Cap
160728	24918	Oil Container Spout, for use when filling Oil Reservoir
164198	24918	Presser Bar Lifting Chain Spring (under table)
26026	24918	Screw Driver
164196	24918	Threader (6)
164204	24918	Tweezers
164197	24918	Wrench (socket)
10875	24918	Wrench (flat)
164831	24918	Wrench for 1700

BELT GUARD (Adjustable)

No.	Plate	Name
164183	24919	Belt Guard
164199	24919	Belt Guard Bracket (back)
164200	24919	Belt Guard Bracket (front)
51326J	24919	Belt Guard Screw (2)
164201	24919	Belt Guard (adjustable) complete, Nos. 164183, 164199, 164200, and two each 51326J and wood screws 3/4 in. No. 7 F.H.

CHIP CHUTE

No.	Plate	Name
168198	24919	Chip Chute with four wood screws 3/8 in. No. 6 R.H. blacked

KNEE LIFTER PARTS

No.	Plate	Name
59324	24920	Chain (8 in. long) with 56865
56865	24920	Chain Hook (small)
2763	24920	Rock Shaft
12242	24920	Rock Shaft Hanger with two wood screws 1 in. No. 10 (2)
143283	24920	Rock Shaft Knee Arm
143284	24920	Rock Shaft Knee Arm Hub with 356C and 140351AL
140351AL	24920	Rock Shaft Knee Arm Hub Clamping Screw
143285	-----	Rock Shaft Knee Arm complete, Nos. 2767, 143283 and 143284
2767	24920	Rock Shaft Knee Arm Plate with 356C
356C	24920	Rock Shaft Knee Arm Plate Set Screw
356C	24920	Rock Shaft Knee Arm Set Screw.....
6337	24920	Rock Shaft Lifting Bracket with two 356C
164729	24920	Rock Shaft Lifting Bracket Hook
356C	24920	Rock Shaft Lifting Bracket Hook Set Screw
356C	24920	Rock Shaft Lifting Bracket Set Screw
2770	24920	Rock Shaft Stop Dog with 140219C (2)
140219C	24920	Rock Shaft Stop Dog Set Screw
164727	24920	Knee Lifter complete, Nos. 2763, 6337, 59324, 143285, 164729 and two each 2770 and 12242

MACHINE BASE

No.	Plate	Name
164184	24919	Machine Base with two wood screws 3/4 in. No. 8 R.H. and 1-1/4 in. No. 6 F.H....
164188	24919	Machine Cushion (large) (2)
164189	24919	Machine Cushion (small) (2)
164190	24919	Machine Pad (felt)
140418E	24904	Machine Screw Stud (back)
657E	24904	Machine Screw Stud (front)

**THREAD UNWINDER NO. 151031
FOR THREE SPOOLS**

No.	Plate	Name
228692	-----	Spool Pin (3)
201528X	-----	Spool Pin Nut (3)
395243	-----	Spool Pin Washer (3)
151023	24764	Spool Rest with 858AL and three each 201528X, 228692 and 395243 (three spools)

**THREAD UNWINDER NO. 151031
FOR THREE SPOOLS
(Continued)**

No.	Plate	Name
150203	24764	Spool Rest Cushion (felt) (3)
858AL	24764	Spool Rest Hub Set Screw
151024	24764	Spool Rest Rod
1122C	24764	Spool Rest Rod Set Screw (2)
151025	24764	Spool Rest Stand with two 1122C and three wood screws 1 in. No. 12 F.H.
151026	24764	Thread Guide (lower)
50311AL	24764	Thread Guide (lower) Holder Set Screw
151027	24764	Thread Guide (lower) Support with 50311AL
151028	24764	Thread Guide (upper, hollow) (2)
151029	24764	Thread Guide (upper) Holder with four 453AL
453AL	24764	Thread Guide Set Screw (3)
151030	24764	Thread Guide Rod
453AL	24764	Thread Guide Rod Set Screw
151031	24764	Thread Unwinder complete, Nos. 151023, 151024, 151025, 151026, 151027, 151029, 151030, two 151028 and three 150203

**THREAD UNWINDER NO. 151163
FOR FOUR SPOOLS**

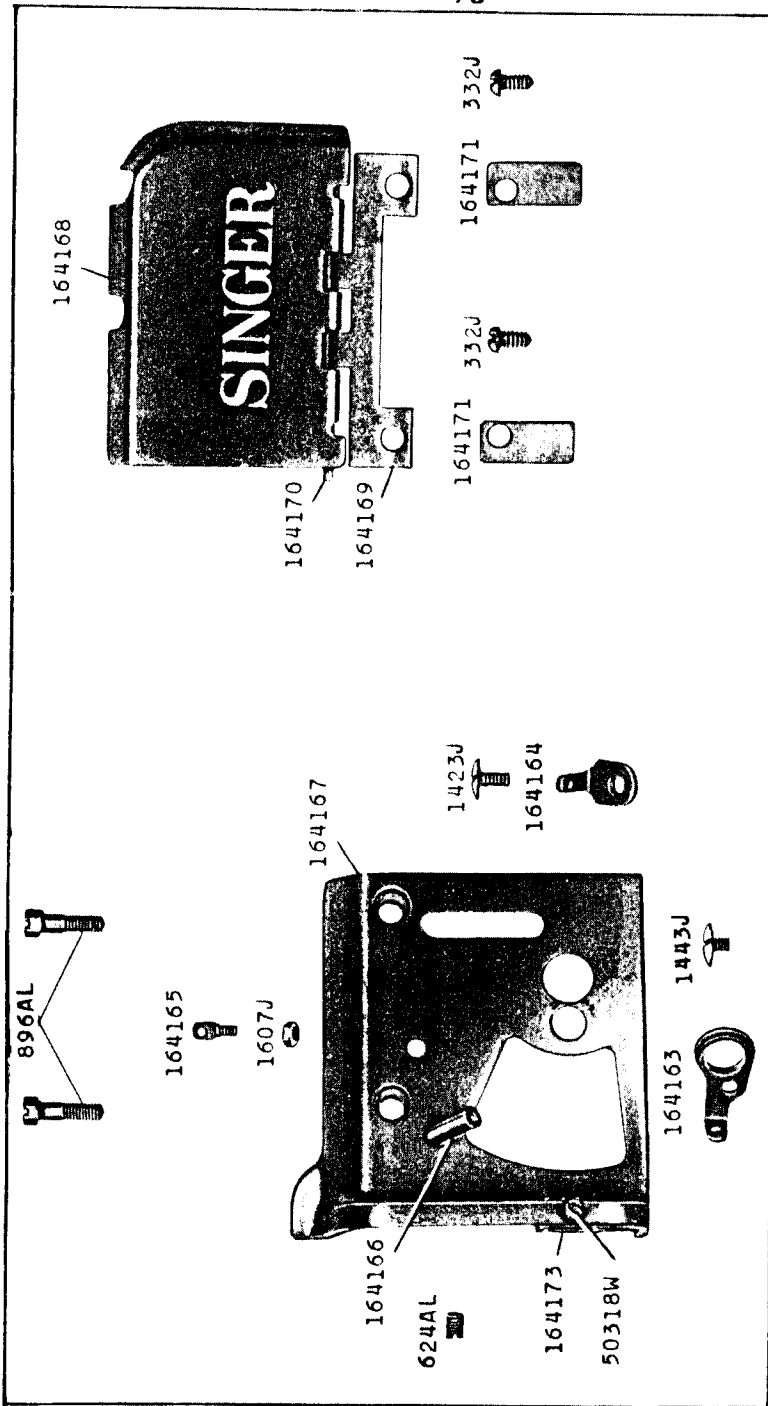
No.	Plate	Name
228692	24867	Spool Pin (3)
228764	24867	Spool Pin
201528X	-----	Spool Pin Nut (3)
395243	-----	Spool Pin Washer (3)
151023	24867	Spool Rest with 858AL and three each 201528X, 228692 and 395243 (three spools)
228765	24867	Spool Rest with 201254C (one spool)
150203	24867	Spool Rest Cushion (felt) (4)
858AL	24867	Spool Rest Hub Set Screw
151024	24867	Spool Rest Rod
1122C	24867	Spool Rest Rod Set Screw (2)
201254C	24867	Spool Rest Set Screw
151025	24867	Spool Rest Stand with two 1122C and three wood screws 1 in. No. 12 F.H.
151026	24867	Thread Guide (lower)
50311C	24867	Thread Guide (lower) Holder Set Screw
151027	24867	Thread Guide (lower) Support with 50311C
151028	24867	Thread Guide (upper, hollow) (2)
151162	24867	Thread Guide (upper, solid)
151029	24867	Thread Guide (upper) Holder with four 453AL

**THREAD UNWINDER NO. 151163
FOR FOUR SPOOLS
(Continued)**

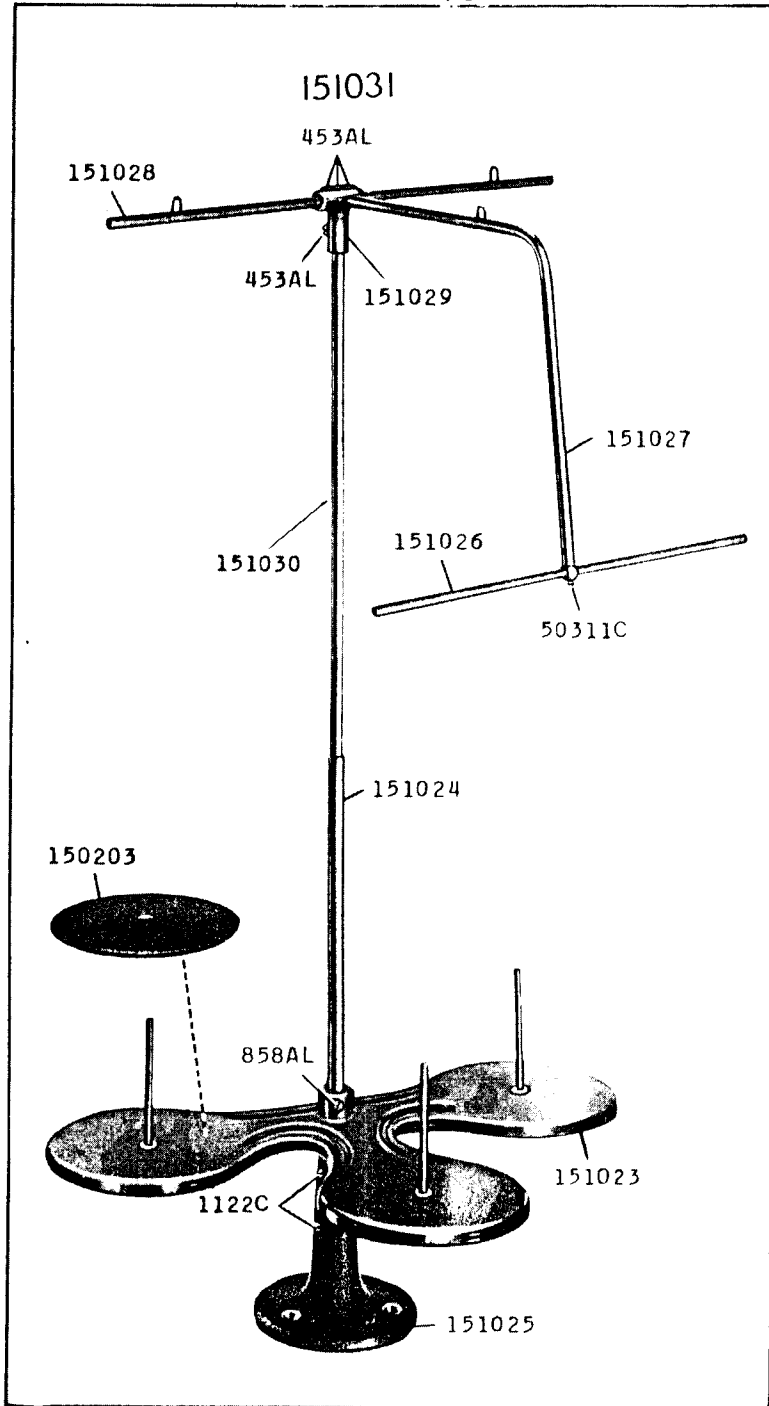
No.	Plate	Name
453AL	24867	Thread Guide Set Screw (3)
151030	24867	Thread Guide Rod
453AL	24867	Thread Guide Rod Set Screw
151163	24867	Thread Unwinder complete, Nos. 151023, 151024, 151025, 151026, 151027, 151029, 151030, 151162, 228764, two 151028 and four 150203

NUMERICAL LIST OF PARTS

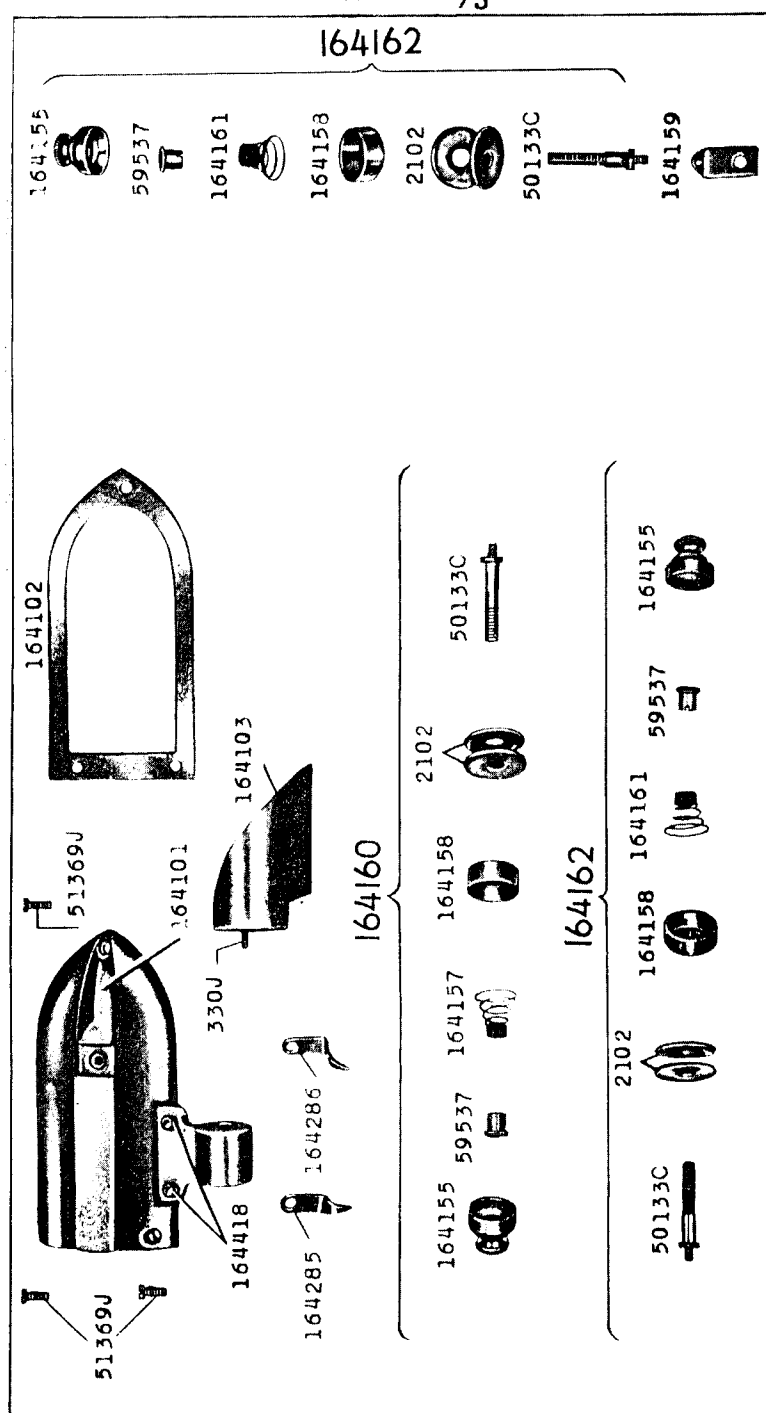
No.	Plate	Name
103X	24910	Gathering Device Lever and Indicator Chain Screw for 164719 and 164733
145J	24915	Oil Cooler Cover Screw
157AL	24908	Feed Eccentric Cover Bracket Screw
157AL	24904	Needle Driving Shaft Crank Connection Cap (lower) Screw
171AL	24904	Looper (left hand) Driving Shaft Crank Connection Cap (lower) Screw for 164052
171AL	24904	Looper (right hand) Driving Shaft Crank Connection Cap (lower) Screw for 164052
171AL	24904	Needle Driving Shaft Crank Connection Cap (upper) Screw
187E	24915	Machine Frame Bracket Key Screw for 164528
187E	24913	Thread (looper, right hand) Stripper and Take-up Screw
190X	24910	Feed (front) Dog Controlling Lever Ball Joint Position Screw for 164856
190E	24912	Knife (stationary) Holder Adjusting Stud Cap Screw
190E	24913	Thread (looper) Take-up Screw (lower)
197J	24912	Knife (movable) Lever Guide Screw for 164210
198J	24912	Knife (movable) Holder Screw
206J	24915	Machine Frame Oil Screen Screw
217J	24909	Gathering Plate (swing-up) Screw for 164880
227J	24908	Feed Eccentric Cover Latch Spring Screw for 164706
330J	24772	Machine Frame Top Cover Oil Lead Screw for 164214
332J	24761	Thread (looper) Plate Cover Spring Screw for 164174
356C	24920	Knee Lifter Rock Shaft Knee Arm Set Screw for 143284
356C	24920	Knee Lifter Rock Shaft Knee Arm Plate Set Screw for 2767
356C	24920	Knee Lifter Rock Shaft Lifting Bracket Hook Set Screw for 6337
356C	24920	Knee Lifter Rock Shaft Lifting Bracket Set Screw for 6337
442AL	24909	Gathering Plate (swing-up) Holder Housing Stop Screw for 164880
447AL	24912	Knife (movable) Lever Bearing Set Screw (long)
447AL	24912	Knife (movable) Lever Guide Holder Thread Tube Set Screw (machine frame end)
447AL	24912	Knife (movable) Lever Hinge Stud Set Screw (back)



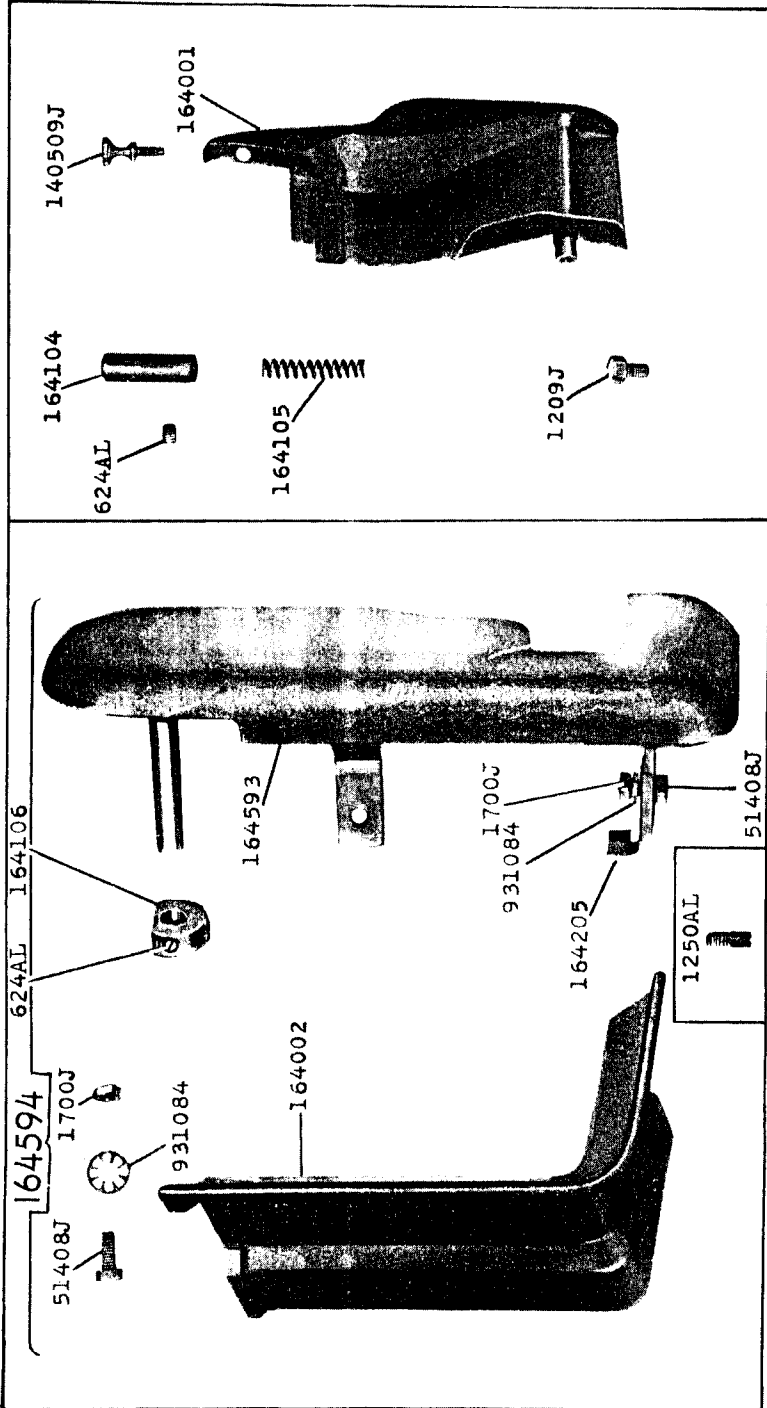
24764 - 1/6



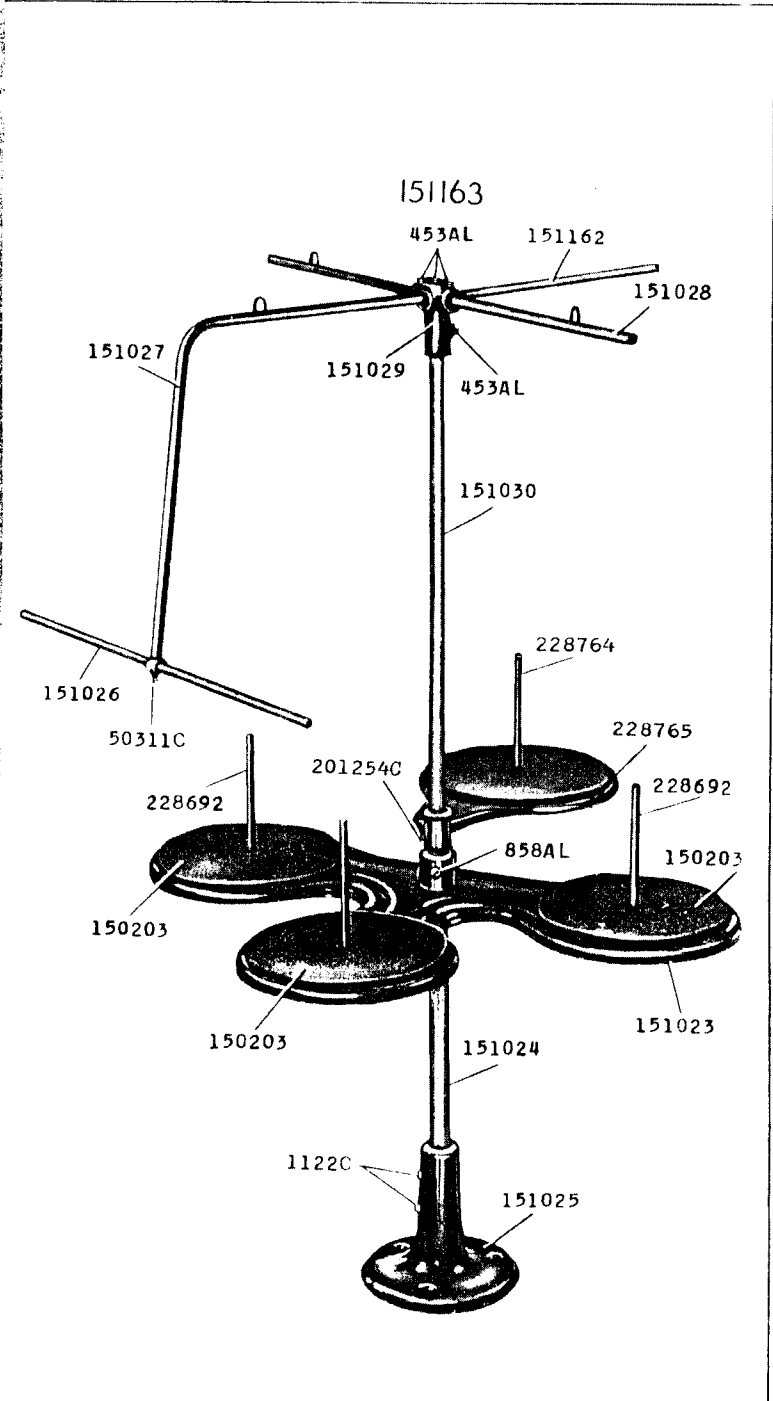
24772 - 1/3



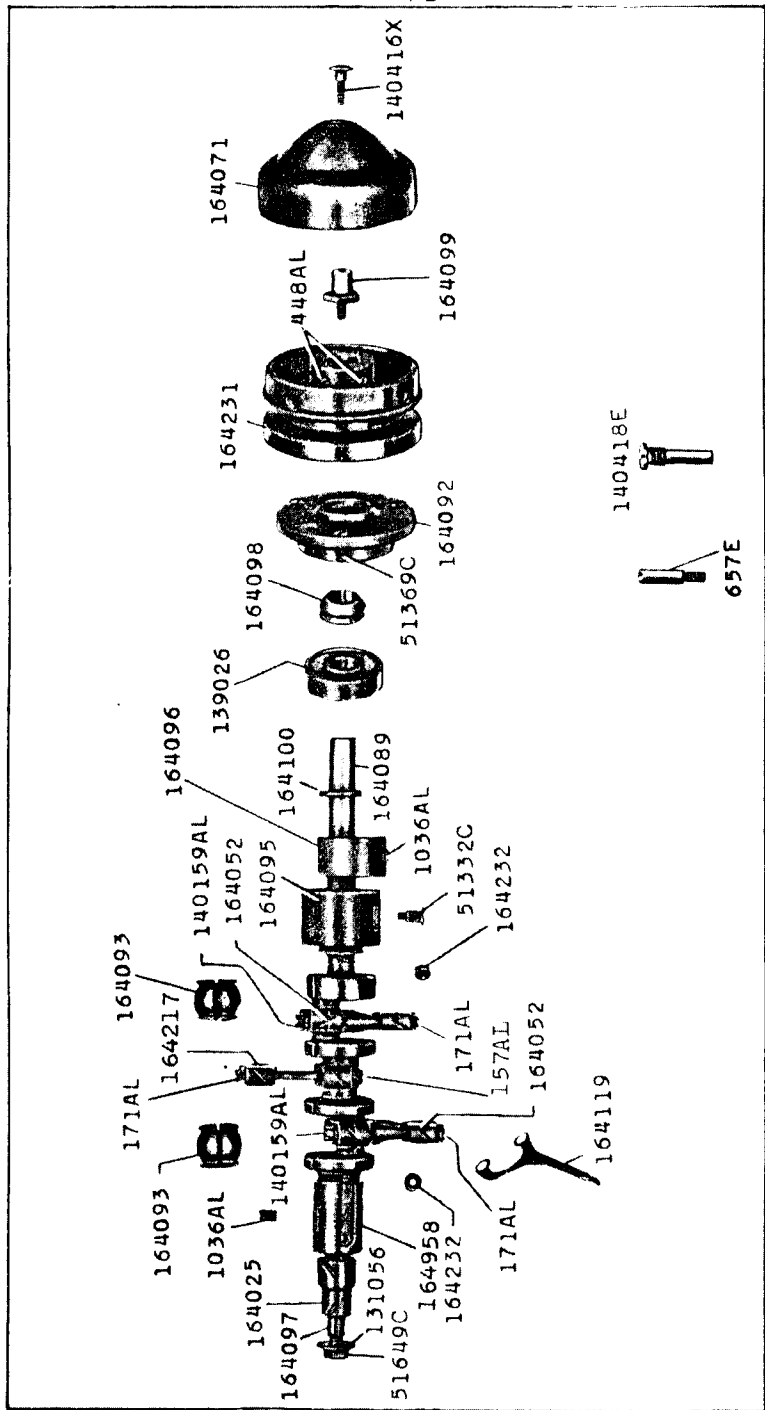
24855-1/2



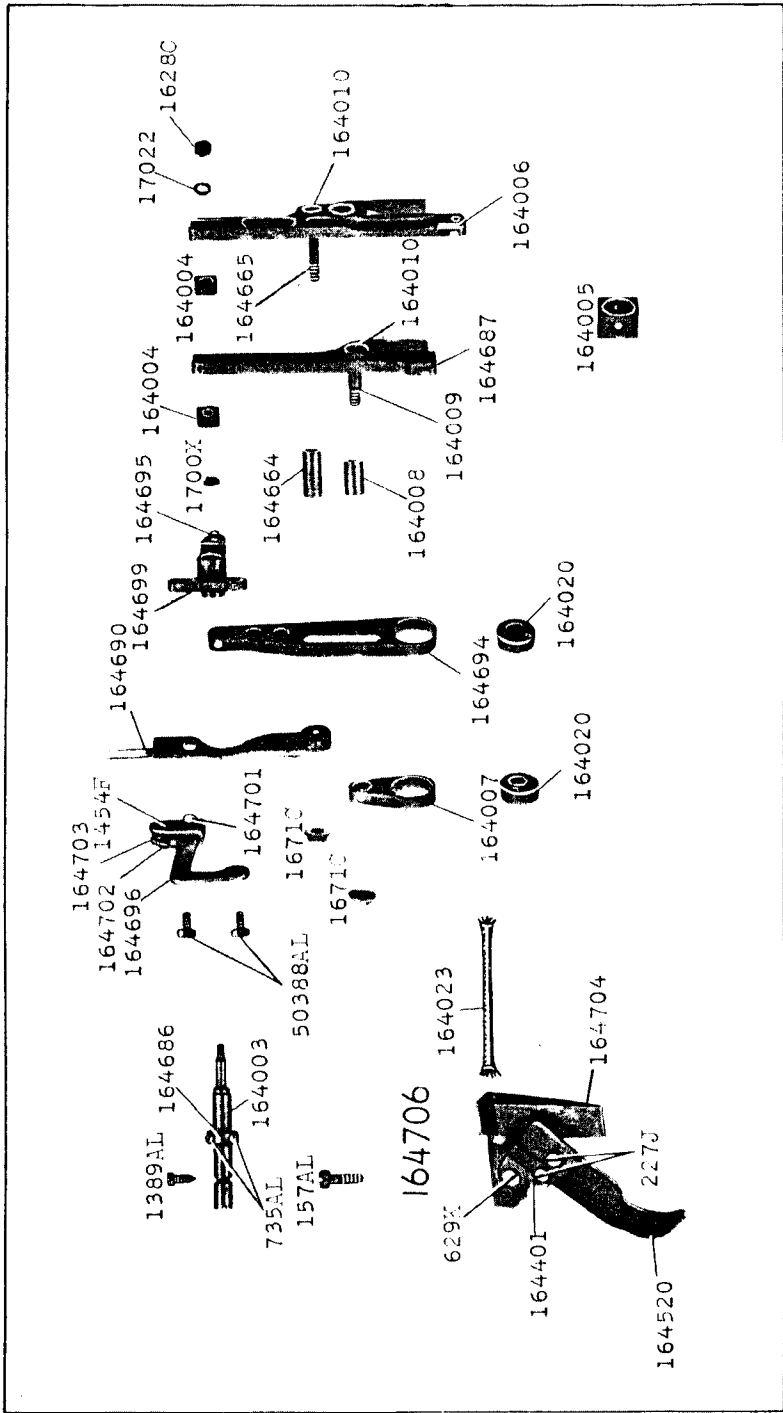
24867 - 1/6



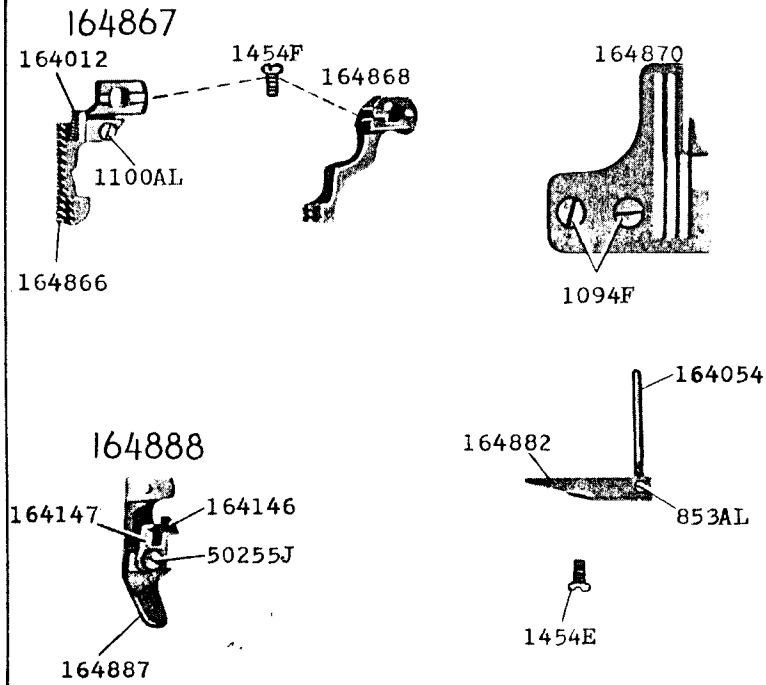
24904-1/3



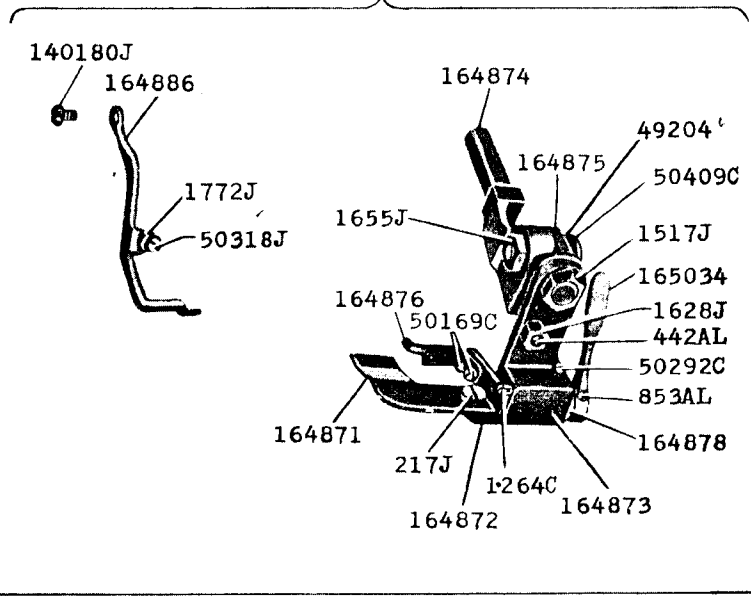
24908-1/3



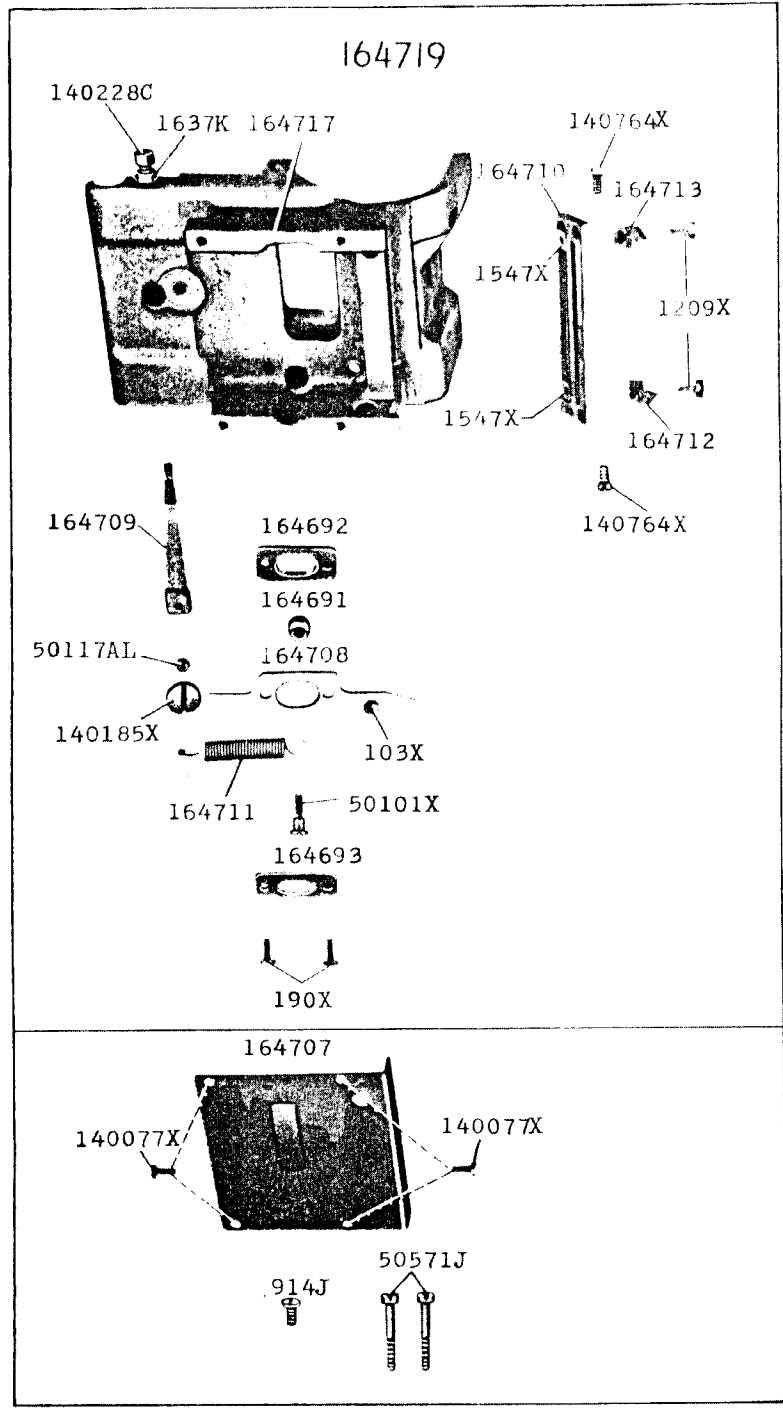
24909-1/2



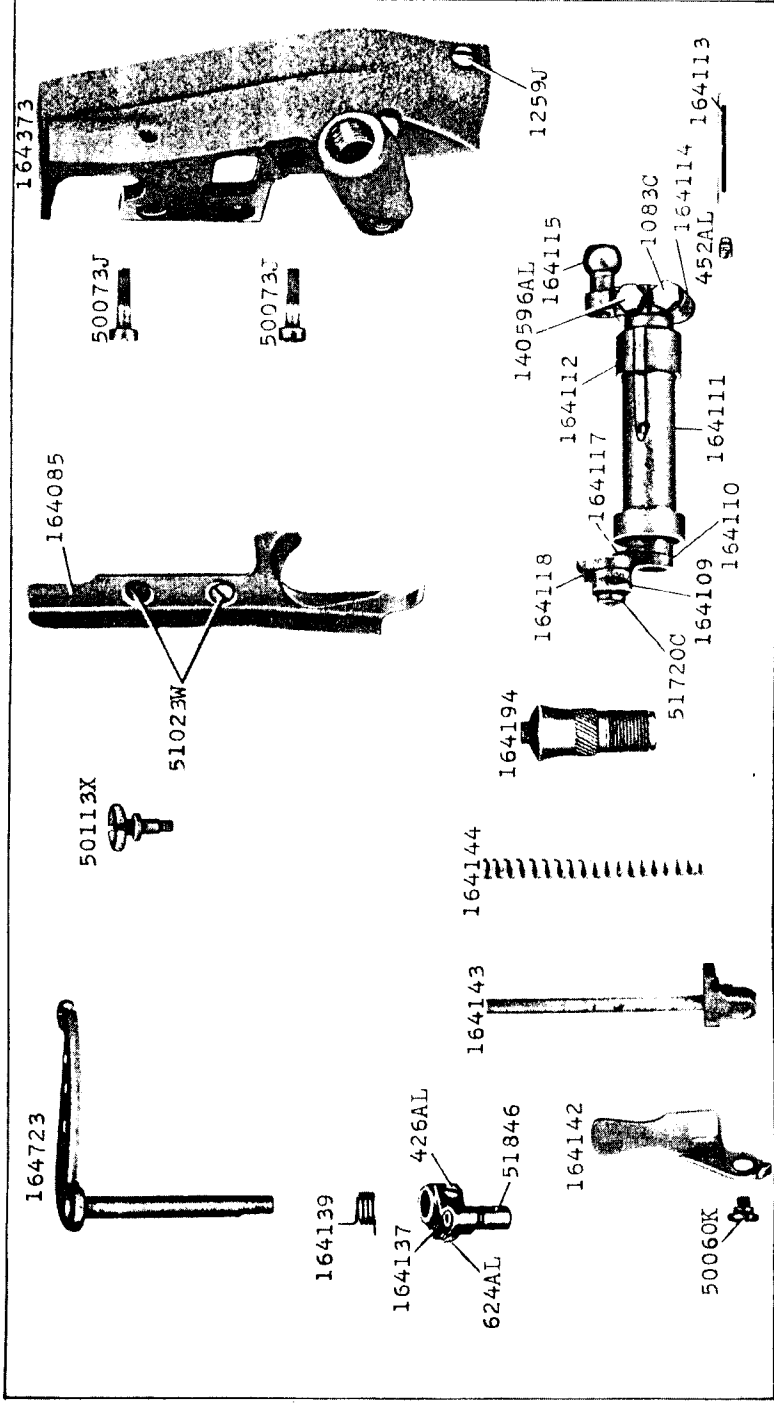
164880



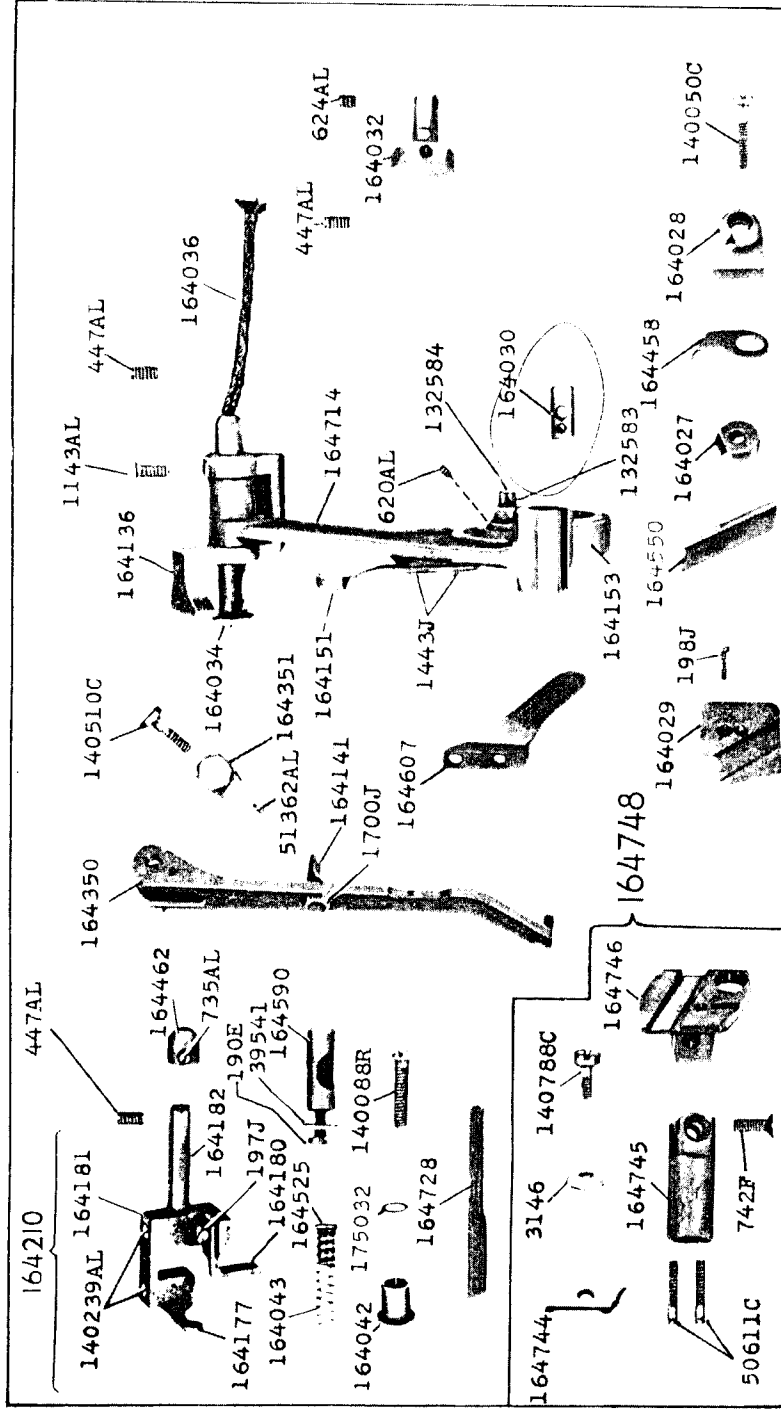
24910-1/3



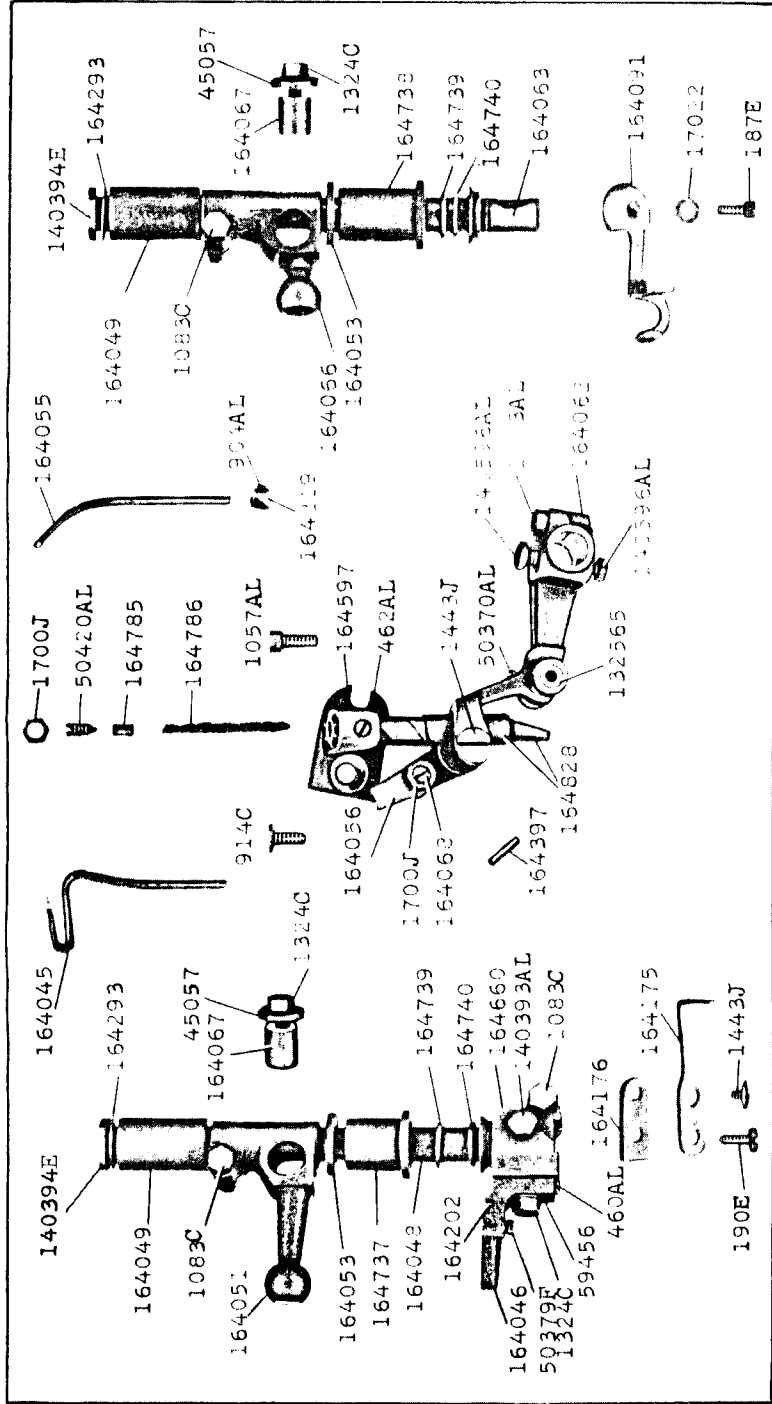
24911-1/2



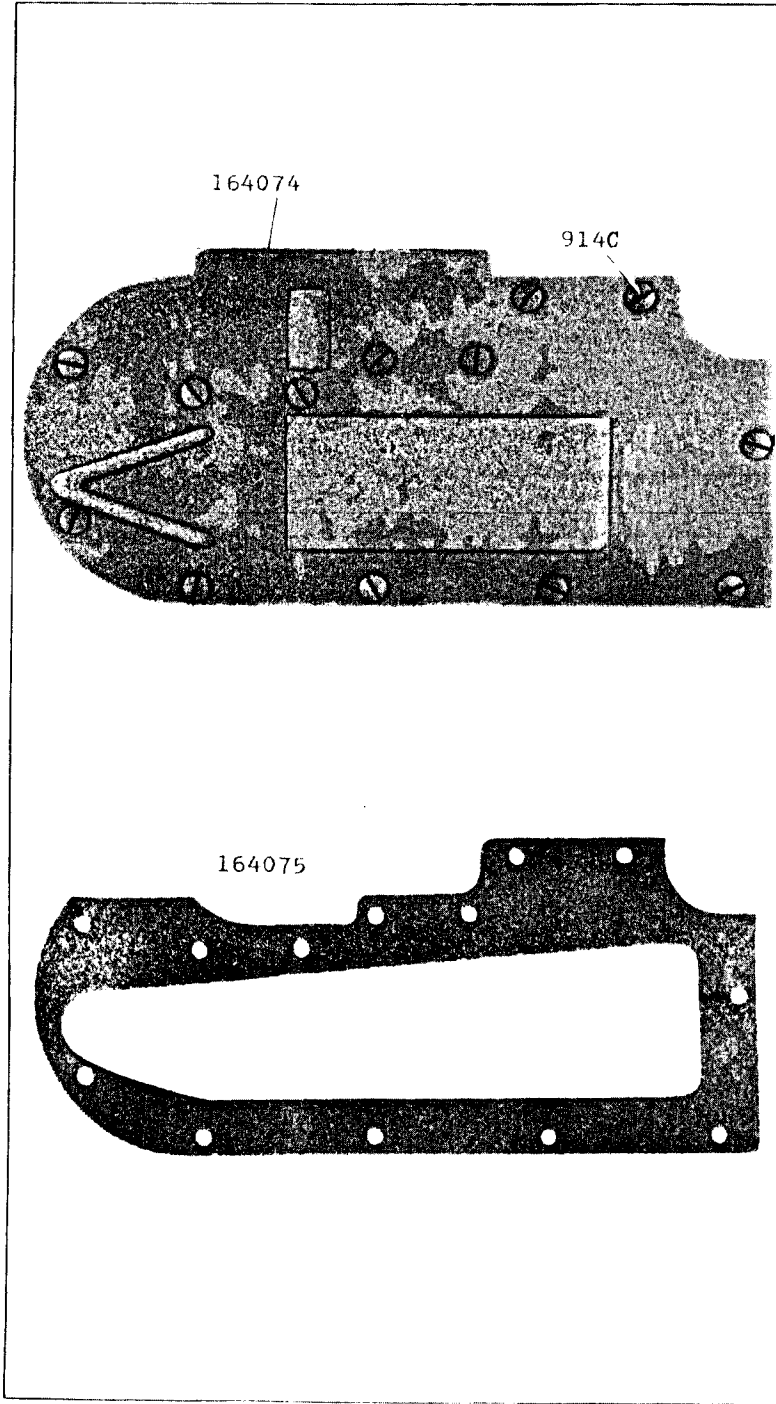
24912-1/2

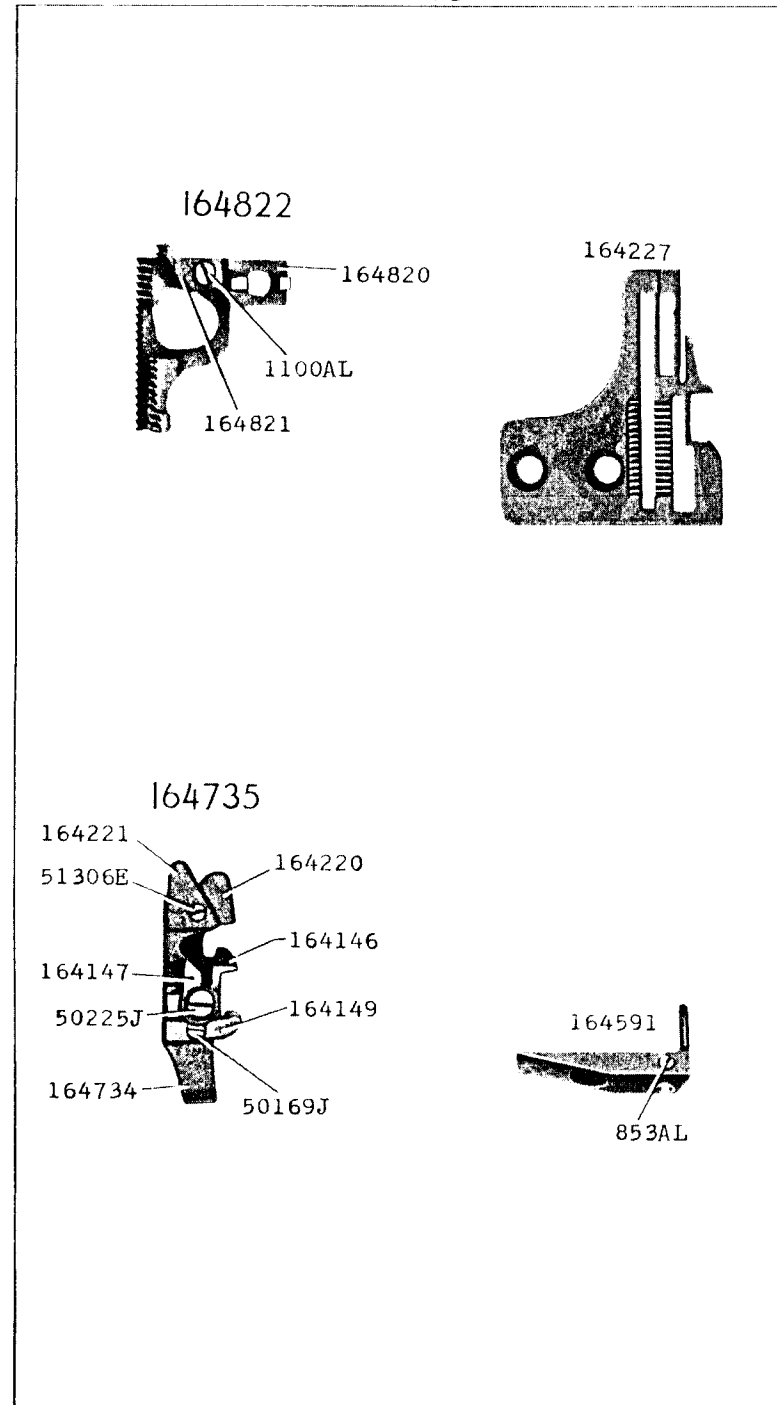
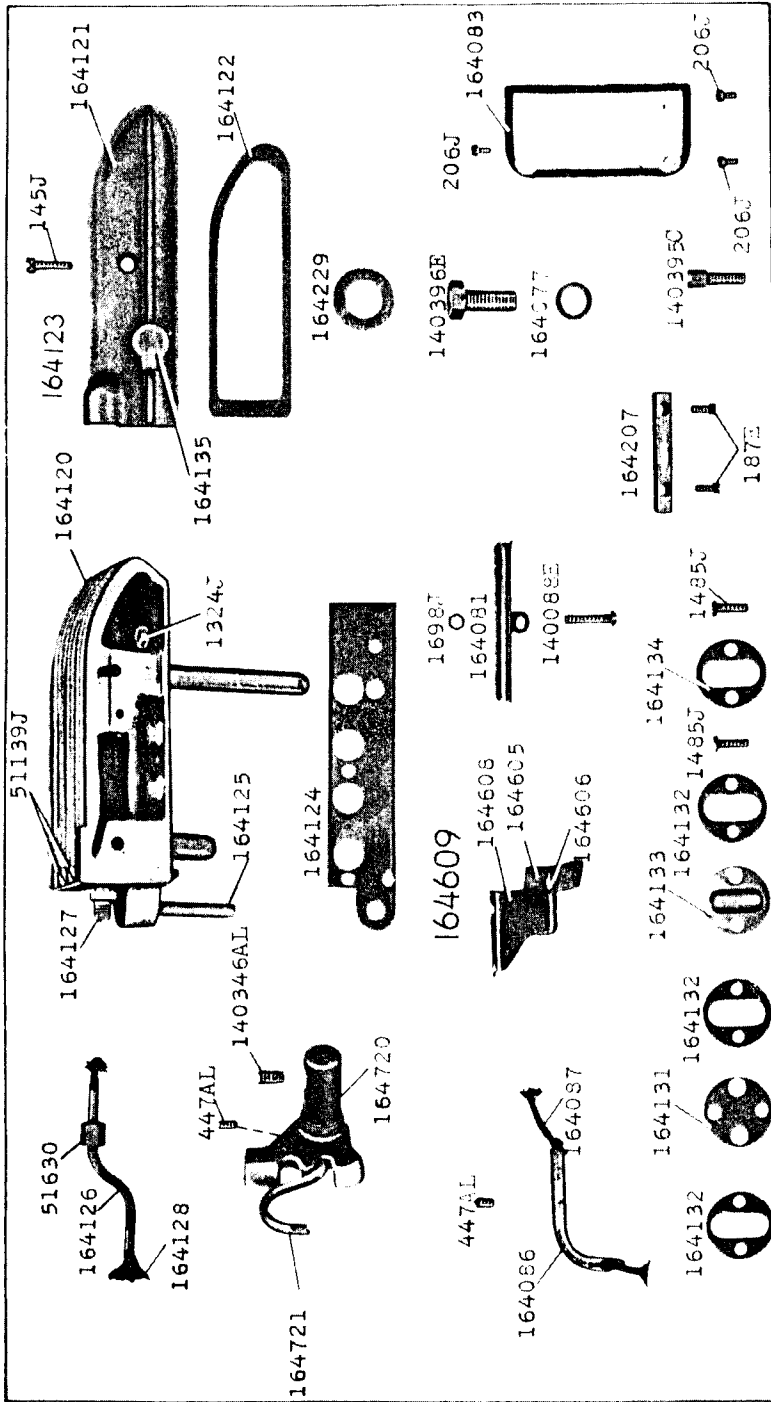


24913-1/2



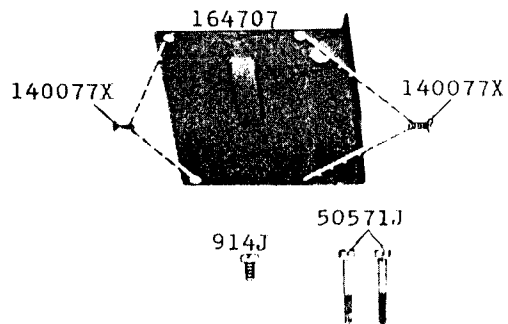
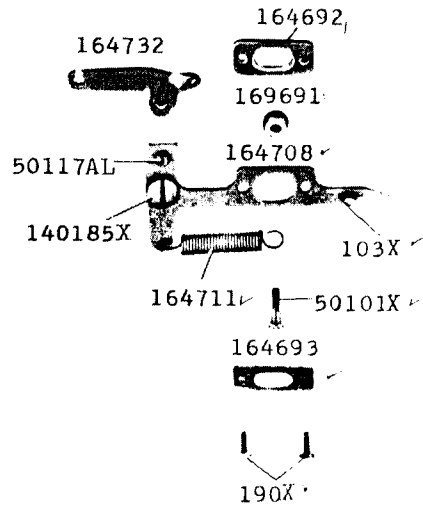
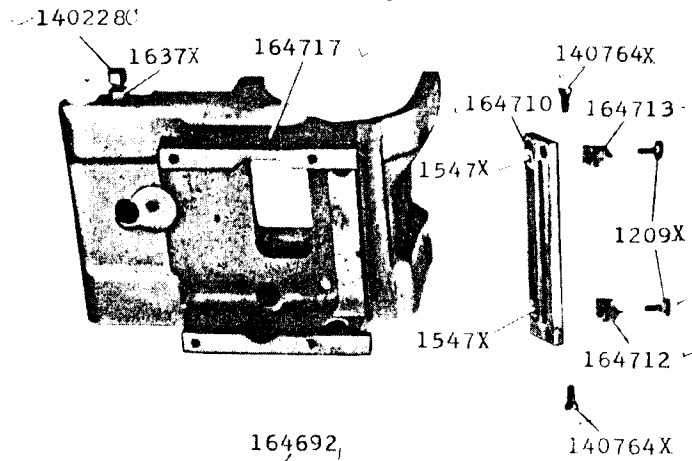
24914-1/2



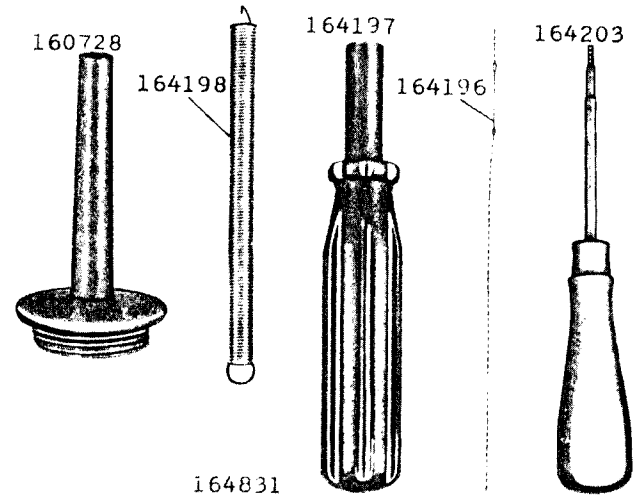


24917-1/3

164733



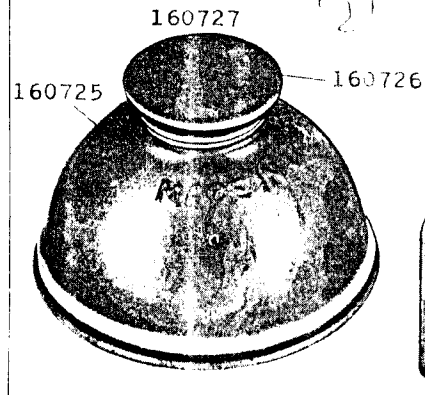
24918-1/2



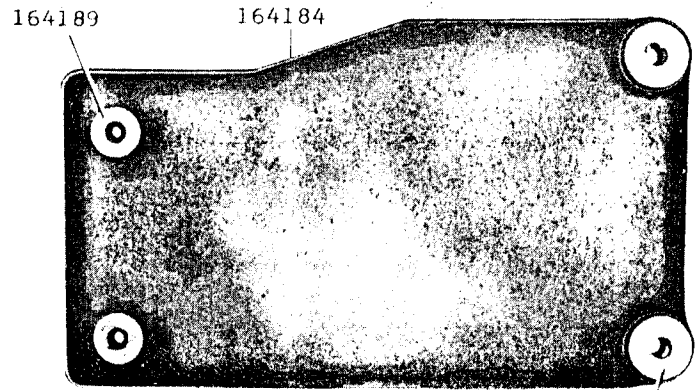
164831

26026

10875

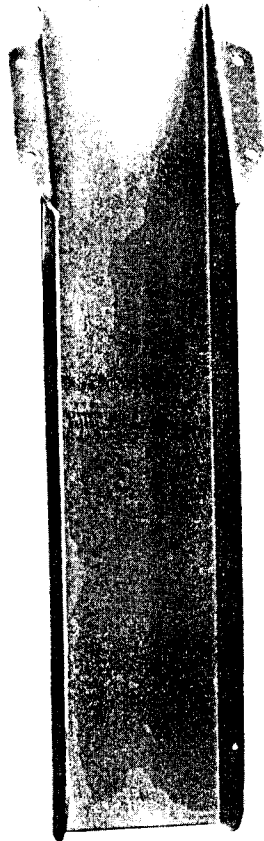


24919-1/3



168198

164188



164190



164201

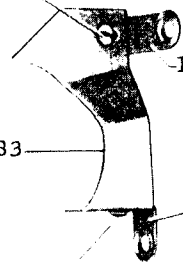
51326J

164199

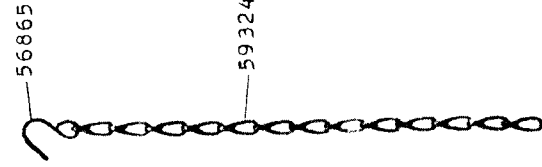
164183

164200

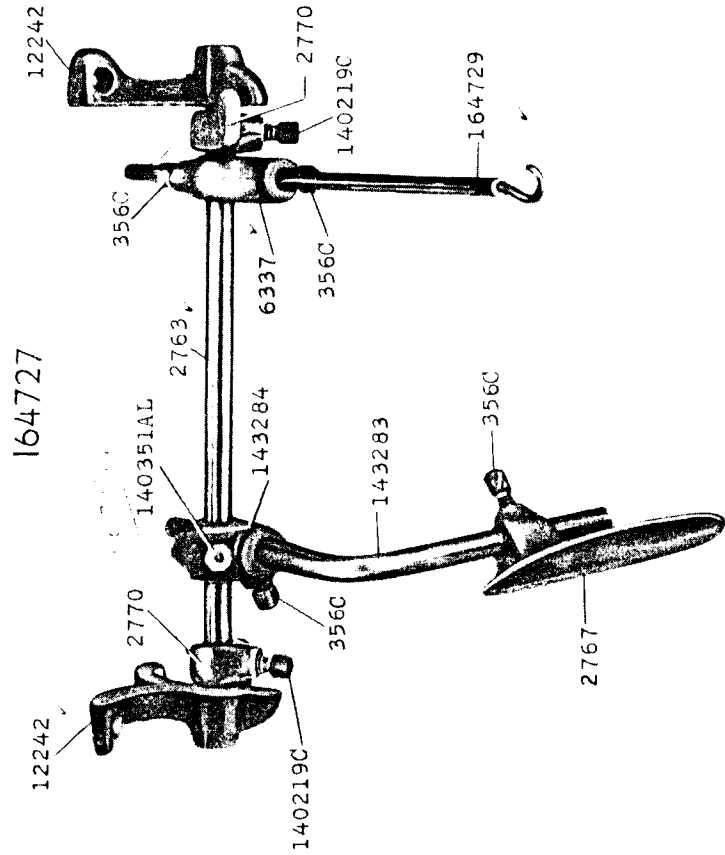
51326J



24920-1/3



59324



164727

12242

2770

140219C

356C

140351AL

2763

143284

6337

356C

143283

2767

356C

12242

2770

140219C

164729