

**SINGER**  
**251-5**

*Walson*  
Form 21029  
(1059)  
Printed in U. S. A.

# LIST OF PARTS



*Special request  
184035*

## SINGER

### MACHINE No. 251-5

---

THE SINGER MANUFACTURING COMPANY

## INSTRUCTIONS FOR OILING

Before starting the machine, fill the oil reservoir in the base to the HIGH MARK with "TYPE A" or "TYPE C" OIL, sold by Singer Sewing Machine Company,

The reservoir holds approximately 1½ pints.

When in operation, the oil level in the reservoir should be inspected at least twice a month or as often as is necessary to keep it from going below the LOW MARK in the reservoir. Refill to HIGH MARK with "TYPE A" OIL.

"TYPE C" OIL is to be used, when an oil is desired which will produce a minimum of stain, even after a long period of storage.

## INDEX

	Page
Accessories .....	21
Bobbin Winders .....	21
Knee Lifter .....	23
Machine Base and Oil Reservoir .....	24
Machine No. 251-5 .....	7
Thread Unwinder .....	24
Numerical List .....	25

## INSTRUCTIONS FOR ORDERING

In ordering from this list, use ONLY the part NUMBER in the FIRST column.

The number stamped on a Sewing Machine Part is in every case the number of the single part only.

Every combination of parts sent out as such has its specific number, which, although not stamped on the parts, must be used when ordering the combination.

Each number always indicates the SAME PART in whatever list it appears, or for whatever machine.

The letters after some of the numbers indicate the style of finish only, as follows:

- A—Hardened, Polished, Nickel Plated and Buffed
- B—Polished, Nickel Plated and Buffed
- C—Hardened Only
- D—Polished Only
- E—Soft, Not Polished
- F—Hardened and Polished
- G—Bright Rumbled and Nickel Plated
- H—Blued
- J—Nickel Plated Only
- K—Hardened and Nickel Plated
- L—Brass Plated
- M—Oxidized
- R—Phosphate Coating Formed on Surface of Iron or Steel
- S—Cadmium Plated
- T—Copper Plated
- U—Zinc Plated
- V—Silver Plated
- W—Polished and Nickel Plated
- X—Black Oxide for Iron and Steel
- Y—Black Nickel Plated Only
- Z—Chromium Plated
- A.A—Buffed and Chromium Plated
- A.B—Hardened, Polished, Buffed and Chromium Plated
- A.E—Hardened, Bright Rumbled and Nickel Plated
- A.F—Hardened, Bright Rumbled, Nickel Plated, Bright Rumbled and Chromium Plated
- A.G—Alumilite (Plain)
- A.H—Alumilite (Dyed) Color Must be Stated
- A.J—Polished, Nickel Plated and Chromium Plated
- A.K—Hardened, Polished, Nickel Plated and Chromium Plated
- A.L—Heat Treated for Toughness
- A.L.D—Heat Treated for Toughness and Polished
- A.L.X—Heat Treated for Toughness and Black Oxide

## INSTRUCTIONS FOR ORDERING

- A.S—Black Moulded Phenolic
- A.T—Beige Moulded Phenolic
- A.U—Brown Moulded Phenolic
- A.W—Hardened then Flame Coated with Tungsten Carbide
- B.A—Chrome Nickel Satin Finish
- B.B—Hardened and Chrome Nickel, Satin Finished
- C.R—Hardened and Phosphate Coating Formed on Surface of Steel
- F.J—Hardened, Polished and Nickel Plated
- T.A—Hardened, Polished, Copper and Nickel Plated and Buffed
- T.B—Copper and Nickel Plated and Polished
- T.J—Copper and Nickel Plated Only
- T.K—Hardened, Copper and Nickel Plated
- T.L—Copper and Brass Plated
- T.M—Copper Plated and Oxidized
- X.C—Hardened and Black Oxide for Iron and Steel
- Z.A—Hardened, Polished Nickel Plated, Buffed and Chromium Plated
- Z.B—Polished, Nickel Plated, Buffed and Chromium Plated
- Z.C—Hardened and Chromium Plated
- Z.D—Polished and Chromium Plated
- Z.G—Bright Rumbled, Nickel Plated, Bright Rumbled and Chromium Plated
- Z.J—Nickel and Chromium Plated
- Z.T—Copper and Chromium Plated

These letters MUST BE USED when they appear in the list; and AFTER the number as in the list.

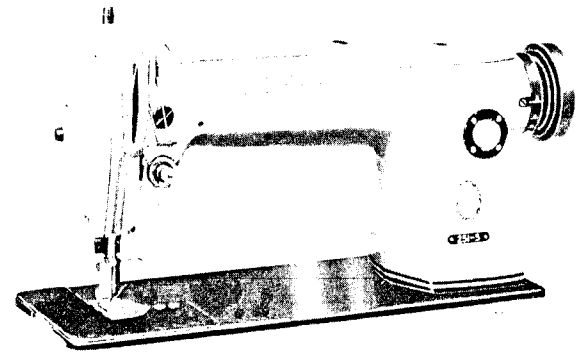
In this series:

1 to 1500, 50001 to 51500 and 140001 to 142,000 are screw numbers  
1501 to 1800 and 51500 to 51800 are nut numbers  
1801 to 2000 and 51801 to 52000 are roller numbers  
2001 to 50000 and 52001 to 140000 and 142001 to 190000 are Sewing Machine Parts, 190001 and upward are numbers of Electrical Parts.

The figures in the second column refer only to the plates, illustrating the parts, and are NOT TO BE USED in ordering.

Parts marked with an asterisk (\*) are furnished only when repairs are made at the factory.

**LIST OF PARTS COMPLETE  
FOR**



**MACHINE NO. 251-5**

FOR SEWING AND TRIMMING, LIGHT, MEDIUM AND HEAVY FABRICS. HAS VERTICAL TRIMMER THAT TRIMS FROM 1/16" TO 1/4" FROM LINE OF STITCHING. NEEDLE BAR STROKE 1-13/64". PRESSER BAR LIFT 5/16". MAXIMUM STITCH LENGTH 5-1/2 TO THE INCH.

No.	Plate	Name
*147199	-----	Arm .....
		NOTE: Due to the accuracy required for gear alignment, Arm cannot be supplied separately and can only be sent out as a unit, Arm and Bed assembled.
8582	8252	Arm Dowel Pin (2) .....
140640E	8252	Arm Hole Plug (back of arm) .....
147109	8252	Arm Hole Plug Gasket .....
140705E	8252	Arm Screw (back) .....
146552	8252	Arm Screw (front and intermediate) (2) ..
140315E	8252	Arm Screw Stud (back) (2) .....
147200	8252	Arm Shaft (horizontal) and Needle Bar Crank with 1036AL, 140542AL and 140609AL .....
143008	8252	Arm Shaft (horizontal) Bushing (center)
140296AL	8252	Arm Shaft (horizontal) Bushing (center) Set Screw .....
147201	8252	Arm Shaft (horizontal) Counterweight (back) with 446AL and 966E .....

No.	Plate	Name
147202	8252	Arm Shaft (horizontal) Counterweight (front) with 446AL and 966E .....
966E	8252	Arm Shaft (horizontal) Counterweight Clamping Screw (2) .....
446AL	8252	Arm Shaft (horizontal) Counterweight Position Screw (2) .....
140610X	8252	Arm Shaft (horizontal) Counterweight Oil Plug Screw .....
147112	8252	Arm Shaft (horizontal) Flanged Bushing (back) .....
146790	8252	Arm Shaft (horizontal) Flanged Bushing (back) Oil Sump Tube .....
207E	8252	Arm Shaft (horizontal) Flanged Bushing (back) Oil Sump Tube Holder Screw .....
140297AL	8252	Arm Shaft (horizontal) Flanged Bushing (back) Set Screw .....
147005	8252	Arm Shaft (horizontal) Flanged Bushing (front) .....
140279AL	8252	Arm Shaft (horizontal) Flanged Bushing (front) Set Screw .....
144D	8252	Arm Shaft (horizontal) Screw (back) .....
140640E	8252	Arm Shaft (horizontal) Screw Plug (front) .....
147109	8252	Arm Shaft (horizontal) Screw Plug Washer (fiber) .....
143013	8252	Arm Shaft (upright) .....
147006	8252	Arm Shaft (upright) Bevel Gear (lower) right hand spiral with two 1259AL .....
1259AL	8252	Arm Shaft (upright) Bevel Gear (lower) Set Screw (2) .....
143015	8252	Arm Shaft (upright) Bevel Gear (upper) left hand spiral with two 1259AL .....
1259AL	8252	Arm Shaft (upright) Bevel Gear (upper) Set Screw (2) .....
143016	8252	Arm Shaft (upright) Bushing (lower) .....
140298AL	8252	Arm Shaft (upright) Bushing (lower) Set Screw .....
147111	8252	Arm Shaft (upright) Bushing (upper) .....
50504AL	8252	Arm Shaft (upright) Bushing (upper) Set Screw .....
147203	8252	Arm Side Shield .....
147008	8253	Arm Side Shield Wick .....
16709	8253	Arm Side Shield Wick Spring Holder .....
147204	8253	Arm Side Shield complete, Nos. 16709, 147008 and 147203 .....
152X	8253	Arm Side Shield Screw (2) .....
51701X	8253	Arm Side Shield Screw Nut (2) .....
52239	8254	Arm Spool Pin and Thread Eyelet .....
8879	8254	Arm Spool Pin Washer (cloth) .....

NOTE: When ordering No. 8879, state color required.

No.	Plate	Name
147011	8255	Arm Top Cover (back) for 147013 .....
147012	8256	Arm Top Cover (back) for 147014 .....
147013	-----	Arm Top Cover with Stitch Regulator Plunger complete, Nos. 64519, 146511, 147011 and 147105 .....
NOTE: No. 147013 is regularly furnished with this machine.		
147014	8256	Arm Top Cover with Stitch Regulator Plunger complete, Nos. 64519, 143244, 146511, 147012 and 147105 .....
140607X	8256	Arm Top Cover Stitch Regulator Plunger Hole Plug Screw for plugging the Plunger hole when Plunger is removed to prevent tampering with the stitch set .....
147015	8255	Arm Top Cover (back) Gasket .....
51369R	8255	Arm Top Cover (back) Screw (4) .....
147205	8255	Arm Top Cover (front) .....
147206	8255	Arm Top Cover (front) Gasket .....
51369R	8255	Arm Top Cover (front) Screw (4) .....
143244	8256	Arm Top Cover Spool Pin with Spool Rest, 3-1/2 in. long .....
147105	8255	Arm Top Cover Stitch Regulator Plunger .....
64519	8255	Arm Top Cover Stitch Regulator Plunger Spring .....
146511	8255	Arm Top Cover Stitch Regulator Plunger Stop Ring .....
*147017	-----	Bed .....
NOTE: Due to the accuracy required for gear alignment, Bed cannot be supplied separately and can only be sent out as a unit, Arm and Bed assembled.		
143024	8252	Bed Hole Plug .....
143268	8252	Bed Leg (back) .....
1518J	8252	Bed Leg (back) Nut (2) .....
147207	8257	Bed Raising Plate .....
1423X	8257	Bed Raising Plate Screw (2) .....
12431X	8257	Bed Slide .....
4307	8257	Bed Slide Spring .....
725X	8257	Bed Slide Spring Screw (2) .....
12432	8257	Bed Slide complete, Nos. 4307, 12431X and two 725X .....
143373	8258	Bell Crank .....
143374	8258	Bell Crank Bracket .....
158R	8258	Bell Crank Bracket Screw (2) .....
143104	8258	Bell Crank Hinge Pin .....
143375	-----	Bell Crank complete, Nos. 143104, 143373 and 143374 .....
147208	8259	Face Plate .....
147209	8259	Face Plate Gasket .....
147210	-----	Face Plate complete, Nos. 143377, 147208, 147232, 147234, 147235 and two 152X .....

No.	Plate	Name
152X	8259	Face Plate Screw (4) .....
147283	8260	Feed Bar .....
147354	-----	Feed Bar 147283 with 147290, 147355, 147356, 272110 and two 1423C .....
147355	8260	Feed Bar Carrier with two each 158E and 140788E .....
158E	8260	Feed Bar Carrier Clamping Screw (2) ....
143031	8260	Feed Bar Carrier Oil Wick .....
143032	8260	Feed Bar Carrier Oil Wick Holder .....
147024	-----	Feed Bar Carrier Oil Wick Holder 143032 with 143031 .....
228E	8260	Feed Bar Carrier Oil Wick Holder Screw (2).....
272110	8260	Feed Bar Connecting Link .....
1423C	8260	Feed Bar Connecting Link Cap Screw (2)
147288	8260	Feed Bar Connecting Link Oil Wick .....
272111	8260	Feed Bar Connecting Link Oil Wick Clamp .....
147035	8260	Feed Bar Connecting Link Oil Wick Holder .....
50579J	8260	Feed Bar Connecting Link Oil Wick Holder Screw .....
147289	-----	Feed Bar Connecting Link Oil Wick Holder 147035 with 147288 .....
147356	8260	Feed Bar Hinge Pin (eccentric) .....
140788E	8260	Feed Bar Hinge Pin Clamping Screw (2)
149025	8261	Feed Dog, 9 teeth (12 teeth to the inch)
50117AL	8261	Feed Dog Screw (2) .....
147126	8252	Feed Eccentric with 1375AL and two 1036AL .....
1375AL	8252	Feed Eccentric Body Position Screw.....
1036AL	-----	Feed Eccentric Body Set Screw (2) .....
140256AL	8252	Feed Eccentric Stop Screw (7 stitch) ....
140257AL	8252	Feed Eccentric Stop Screw (5-1/2 stitch)
140258AL	8252	Feed Eccentric Stop Screw (14 stitch)...
		NOTE: No. 140257AL is regularly furnished with this machine.
143036	8252	Feed Lifting Eccentric and Arm Shaft (horizontal) Bevel Gear, right hand spiral with 1259AL, 140333AL and 143088 .....
140333AL	8252	Feed Lifting Eccentric Position Screw
1259AL	8252	Feed Lifting Eccentric Set Screw .....
147025	8260	Feed Lifting Rock Shaft .....
147030	-----	Feed Lifting Rock Shaft Nos. 197E, 140359E, 143236, 147025, 147038, 147039, 147047 and two 147037 .....
143052	8260	Feed Lifting Rock Shaft and Feed Rock Shaft Oil Wick Holder .....
197E	8260	Feed Lifting Rock Shaft and Feed Rock Shaft Oil Wick Holder Screw .....

No.	Plate	Name
147028	8260	Feed Lifting Rock Shaft Bushing (2).....
447AL	8260	Feed Lifting Rock Shaft Bushing Set Screw (2) .....
143039	8260	Feed Lifting Rock Shaft Cap .....
223E	8260	Feed Lifting Rock Shaft Cap Screw (2)
147029	8260	Feed Lifting Rock Shaft Collar with two 460AL (2) .....
460AL	8260	Feed Lifting Rock Shaft Collar Set Screw (4).....
143040	8252	Feed Lifting Rock Shaft Connecting Rod
140230C	8252	Feed Lifting Rock Shaft Connecting Rod Hinge Screw .....
1518J	8252	Feed Lifting Rock Shaft Connecting Rod Hinge Screw Nut .....
147031	8260	Feed Lifting Rock Shaft Crank (back) with 966E .....
966E	8260	Feed Lifting Rock Shaft Crank (back) Clamping Screw .....
147290	8260	Feed Lifting Rock Shaft Crank (front) with 140915AL .....
140915AL	8260	Feed Lifting Rock Shaft Crank (front) Clamping Screw .....
140359E	8260	Feed Lifting Rock Shaft Oil Plug Screw
143236	8260	Feed Lifting Rock Shaft Oil Plug Screw Washer (Fiber) .....
147038	8260	Feed Lifting Rock Shaft Oil Wick (long)
147037	8260	Feed Lifting Rock Shaft Oil Wick (short) (2).....
147039	8260	Feed Lifting Rock Shaft Oil Wick .....
147047	8260	Feed Lifting Rock Shaft Oil Wick Clamping Plate .....
197E	8260	Feed Lifting Rock Shaft Oil Wick Clamping Plate Screw .....
147040	8260	Feed Rock Shaft.....
147041	-----	Feed Rock Shaft Nos. 197E, 140359E, 143236, 147039, 147040, 147046, 147047 and two 147045 .....
147042	8260	Feed Rock Shaft Bushing (back) .....
447AL	8260	Feed Rock Shaft Bushing (back) Set Screw.....
147043	8260	Feed Rock Shaft Bushing (front) .....
447AL	8260	Feed Rock Shaft Bushing (front Set Screw .....
143048	8260	Feed Rock Shaft Cap.....
223E	8260	Feed Rock Shaft Cap Screw (2) .....
147029	8260	Feed Rock Shaft Collar with two 460AL
460AL	8260	Feed Rock Shaft Collar Set Screw (2) ..
143049	8252	Feed Rock Shaft Connecting Rod .....
140230C	8252	Feed Rock Shaft Connecting Rod Hinge Screw .....
1518J	8252	Feed Rock Shaft Connecting Rod Hinge Screw Nut.....

No.	Plate	Name
147044	8260	Feed Rock Shaft Crank with 157J .....
157J	8260	Feed Rock Shaft Crank Clamping Screw
140359E	8260	Feed Rock Shaft Oil Plug Screw .....
143236	8260	Feed Rock Shaft Oil Plug Screw Washer (fiber) .....
147046	8260	Feed Rock Shaft Oil Wick (long) .....
147045	8260	Feed Rock Shaft Oil Wick (short) (2) ....
147039	8260	Feed Rock Shaft Oil Wick .....
147047	8260	Feed Rock Shaft Oil Wick Clamping Plate .....
197E	8260	Feed Rock Shaft Oil Wick Clamping Plate Screw .....
147211	8262	Knife (narrow) .....
147495	8262	Knife (wide) .....
		NOTE: No. 147495 is tied on Arm.
620AL	8262	Knife Adjusting Screw .....
147212	8262	Knife Bar .....
147213	8263	Knife Bar Crank (back) with 50135C and 50443C .....
50443C	8263	Knife Bar Crank (back) Clamping Screw
50135C	8263	Knife Bar Crank (back) Position Screw
147214	8252	Knife Bar Crank (back) Connection .....
147215	-----	Knife Bar Crank (back) Connection 147214 with 147216, 147217 and three 223C .....
147216	8252	Knife Bar Crank (back) Connection Eccentric with 1375C and two 1036AL
147217	8252	Knife Bar Crank (back) Connection Eccentric End Plate .....
223C	8252	Knife Bar Crank (back) Connection Eccentric End Plate Screw (3) .....
1375C	8252	Knife Bar Crank (back) Connection Eccentric Position Screw .....
1036AL	8252	Knife Bar Crank (back) Connection Eccentric Set Screw (2) .....
50227X	8252	Knife Bar Crank (back) Connection Hinge Screw .....
1620X	8252	Knife Bar Crank (back) Connection Hinge Screw Nut .....
147218	8263	Knife Bar Crank (front) with 50135C and 50443C .....
147219	-----	Knife Bar Crank (front) 147218 with 1735C, 2297, 147220 and 147221 .....
50443C	8263	Knife Bar Crank (front) Clamping Screw
147220	8263	Knife Bar Crank (front) Coupling Pin ....
147221	8263	Knife Bar Crank (front) Coupling Pin Nut .....
1735C	8263	Knife Bar Crank (front) Coupling Pin Nut Lock Nut .....
2297	8263	Knife Bar Crank (front) Coupling Pin Spring .....

No.	Plate	Name
50135C	8263	Knife Bar Crank (front) Position Screw
147222	8263	Knife Bar Crank Shaft .....
147223	-----	Knife Bar Crank Shaft 147222 with 197E 143031, 147047, 147227, two each 140359E, 143236 and four 147226 .....
147224	8263	Knife Bar Crank Shaft Bushing (back)
624AL	8263	Knife Bar Crank Shaft Bushing (back) Set Screw .....
147225	8263	Knife Bar Crank Shaft Bushing (front)....
440AL	8263	Knife Bar Crank Shaft Bushing (front) Set Screw .....
147227	8263	Knife Bar Crank Shaft Feeder Oil Wick
147047	8263	Knife Bar Crank Shaft Feeder Oil Wick Clamping Plate .....
197E	8263	Knife Bar Crank Shaft Feeder Oil Wick Clamping Plate Screw .....
140359E	8263	Knife Bar Crank Shaft Oil Plug Screw (2)
143236	8263	Knife Bar Crank Shaft Oil Plug Screw Washer (fiber) (2) .....
143031	-----	Knife Bar Crank Shaft Oil Wick (long) ..
147226	8263	Knife Bar Crank Shaft Oil Wick (short) (4) .....
147228	8262	Knife Bar Gib (lower) .....
147229	8262	Knife Bar Gib (upper) .....
147230	8259	Knife Bar Release Lever .....
147231	8259	Knife Bar Release Lever Bracket .....
147232	-----	Knife Bar Release Lever Bracket 147231 with 147230 and 147233 .....
152X	8259	Knife Bar Release Lever Bracket Screw (2) .....
147233	8259	Knife Bar Release Lever Hinge Pin.....
147234	8259	Knife Bar Release Lever Plunger .....
143377	8259	Knife Bar Release Lever Plunger Retainer .....
147235	8259	Knife Bar Release Lever Spring.....
147236	8262	Knife Bar Retaining Plate (lower).....
208AL	8262	Knife Bar Retaining Plate (lower) Screw (2).....
147237	8262	Knife Bar Retaining Plate (upper) .....
208AL	8262	Knife Bar Retaining Plate (upper) Screw (2) .....
147238	8262	Knife Bar Spring .....
147239	8262	Knife Bar Spring Screw Stud .....
1607X	8262	Knife Bar Spring Screw Stud Nut .....
593E	8262	Knife Bar Spring Screw .....
147240	-----	Knife Bar complete, Nos. 2291, 24109, 147212, 147239, 147241, two 208AL and three each 185XC and 1607X .....
147241	8262	Knife Holder with 620AL .....
24109	8262	Knife Holder Handle .....
185XC	8262	Knife Holder Handle Screw .....



No.	Plate	Name
208AL	8262	Knife Holder Screw (2) .....
1607X	8262	Knife Holder Screw Nut (2) .....
185XC	8262	Knife Screw (2) .....
2291	8262	Knife Screw Washer .....
147139	8256	Machine Pulley, small rim diameter (disc power) "V" belt groove 2.9 in. diam., with two 51283AL .....
		NOTE: No. 147139 is regularly furnished.
51283AL	8256	Machine Pulley Set Screw (2) .....
147140	8256	Machine Pulley, large rim diameter (disc power) "V" belt groove 2.9 in. diam., with two 51283AL .....
127135	8264	Needle Bar (hollow) with 140239AL .....
147242	-----	Needle Bar 127135 with 147244 .....
127279	8264	Needle Bar Bushing (lower) .....
1133E	8264	Needle Bar Bushing (lower) Set Screw ..
147243	8264	Needle Bar Bushing (upper) .....
1133E	8264	Needle Bar Bushing (upper) Set Screw ..
147492	8264	Needle Bar Connecting Link .....
140231C	8264	Needle Bar Connecting Link Cap Screw
143056	8264	Needle Bar Connecting Link Roller Bearing (18) .....
143057	8264	Needle Bar Connecting Stud with 140706C
140706C	8264	Needle Bar Connecting Stud Clamping Screw .....
147053	8253	Needle Bar Connecting Stud Oil Wick ....
143058	8264	Needle Bar Connecting Stud Slide Block .....
140542AL	8252	Needle Bar Crank Position Screw .....
143196	8253	Needle Bar Oil Wick .....
147244	8264	Needle Bar Thread Guide .....
140239AL	8264	Needle Set Screw .....
146591	8231	Oil Flow Body .....
143061	8231	Oil Flow Body Gasket (2) .....
143062	8231	Oil Flow Window .....
143063	8231	Oil Flow Window Cap .....
50257J	8231	Oil Flow Window Cap Screw (4) .....
143370	8231	Oil Lead .....
51369E	8231	Oil Lead Screw .....
143064	8231	Oil Pipe for 147106 .....
143384	8231	Oil Pipe for Oiling Rotating Hook Shaft (front) Bearing .....
143065	8231	Oil Pipe Clamping Sleeve .....
143066	8231	Oil Pipe Clamping Sleeve Nut .....
147106	8231	Oil Pipe complete from Oil Pump to Arm Shaft (horizontal) Center Bearing, Nos. 143064, 143065 and 143066 .....
143124	8231	Oil Pipe Clamping Sleeve .....
143125	8231	Oil Pipe Clamping Sleeve Nut .....
143126	8231	Oil Pipe Clamping Sleeve Nut Adaptor
143070	8231	Oil Pump (centrifugal) Body with 143126

No.	Plate	Name
143071	8231	Oil Pump (centrifugal) Body Position Pin (2) .....
157E	8231	Oil Pump (centrifugal) Body Screw (3) ..
143072	8231	Oil Pump (centrifugal) Cover .....
143073	8231	Oil Pump (centrifugal) Impeller .....
50123E	8252	Oil Pump (centrifugal) Impeller Locking Screw .....
143074	8231	Oil Pump (centrifugal) Screen .....
143075	8231	Oil Pump (centrifugal) Screen Frame .....
189E	8231	Oil Pump (centrifugal) Screen Frame Screw (4) .....
147107	8253	Oil Removing Wick (head end) .....
147054	8253	Oil Removing Wick (head end) Hinge Plate and Cover .....
147055	8253	Oil Removing Wick (head end) Hinge Plate and Cover Gasket .....
1364X	8253	Oil Removing Wick (head end) Hinge Plate and Cover Screw (4) .....
146745	8253	Oil Removing Wick (head end) Holder Body .....
140553E	8253	Oil Removing Wick (head end) Holder Body Hinge Screw .....
146700	8253	Oil Removing Wick (head end) Holder Body Stop and Spring Clip .....
228E	8253	Oil Removing Wick (head end) Holder Body Stop and Spring Clip Screw .....
146698	8253	Oil Removing Wick (head end) Holder Body Spring .....
147056	8253	Oil Removing Wick (head end) Holder Body complete, Nos. 228E, 140553E, 146698, 146700, 146745, 147054, 147055 and 147107 .....
147141	8253	Oil Wick, 11 in. long for oiling Take-up Lever, Take-up Lever Link, Needle Bar Connecting Link and Thread Take-up Lever Link Hinge Bearing (2) .....
147245	8253	Oil Wick Holder with two 147141 .....
140232	8253	Oil Wick Holder Screw .....
147057	8265	Presser Bar (hollow) .....
147058	8265	Presser Bar Bushing (lower) .....
1133E	8265	Presser Bar Bushing (lower) Set Screw
147246	8265	Presser Bar Guide Bracket with 140608AL .....
140608AL	8265	Presser Bar Guide Bracket Clamping Screw .....
147247	8258	Presser Bar Lifter .....
69XC	8258	Presser Bar Lifter Hinge Screw .....
147248	8258	Presser Bar Lifting Lever with 448AL ..
143108	8258	Presser Bar Lifting Lever Connecting Rod .....
1611X	8258	Presser Bar Lifting Lever Connecting Rod Nut .....

No.	Plate	Name
1611X	8258	Presser Bar Lifting Lever Connecting Rod Lock Nut .....
143191	8258	Presser Bar Lifting Lever Connecting Rod Oil Mist Retaining Disc (felt) .....
143109	8258	Presser Bar Lifting Lever Connecting Rod Swivel .....
802X	8258	Presser Bar Lifting Lever Hinge Screw
147249	8265	Presser Bar Lifting Lever Link .....
147250	8258	Presser Bar Lifting Lever Pin .....
448AL	8258	Presser Bar Lifting Lever Pin Set Screw .....
146610	8258	Presser Bar Lifting Lever Spring .....
147063	8265	Presser Bar Spring .....
26276	8261	Presser Foot Hinge Pin .....
147251	8261	Presser Foot Plate .....
		NOTE: When ordering No. 147251, state required distance of trimmed edge from seam.
147460	8261	Presser Foot Shank.....
161160	8261	Presser Foot Shank Spring.....
147253	8261	Presser Foot (spring hinged) complete, for 1/8 in. and 5/32 in. trimming margin, Nos. 26276, 147251, 147460 and 161160
		NOTE: When ordering No. 147253, state required distance of trimmed edge from seam.
26276	8261	Presser Foot Hinge Pin.....
147264	8261	Presser Foot Plate .....
		NOTE: When ordering No. 147264, state required distance of trimmed edge from seam.
147460	8261	Presser Foot Shank .....
161160	8261	Presser Foot Shank Spring .....
147254	8261	Presser Foot (spring hinged) complete, for 3/16 in., 1/4 in., 9/32 in. and 5/16 in. trimming margin, Nos. 26276, 147264, 147460 and 161160 .....
		NOTE: When ordering No. 147254, state required distance of trimmed edge from seam.
		NOTE: No. 147253, 1/8 in. gauge and No. 147254, 3/16 in. gauge are sent with this machine unless other gauges are specified on order.
127033	8267	Presser Foot for 1/16 in. and 3/32 in. trimming margin .....
		NOTE: When ordering No. 127033, state size of trim required.
140390AL	8261	Presser Foot Screw .....
147255	8265	Pressure Regulating Screw and Presser Bar Guide .....
143340	8266	Rotating Hook with 143301 and two 1253AL .....
143341	8266	Rotating Hook 143340 with 143351, 270083 and four 1053E .....

No.	Plate	Name
143342	8266	Rotating Hook 143341 with 40274, 143346 and three 1367E .....
143344	8266	Rotating Hook 143342 with 52237 .....
270010	8266	Rotating Hook Bobbin (3) .....
52235	8266	Rotating Hook Bobbin Case .....
52236	-----	Rotating Hook Bobbin Case 52235 with 591F, 1380E and 40394 .....
40392	8266	Rotating Hook Bobbin Case Latch .....
125320	8266	Rotating Hook Bobbin Case Latch Lever
2974	8266	Rotating Hook Bobbin Case Latch Lever Fulcrum Pin .....
2975	8266	Rotating Hook Bobbin Case Latch Spring .....
592E	8266	Rotating Hook Bobbin Case Latch Stop Screw .....
40393	8266	Rotating Hook Bobbin Case Latch Hinge Nos. 2974, 40392 and 125320 .....
591F	8266	Rotating Hook Bobbin Case Tension Regulating Screw .....
40394	8266	Rotating Hook Bobbin Case Tension Spring .....
1380E	8266	Rotating Hook Bobbin Case Tension Spring Screw .....
52237	8266	Rotating Hook Bobbin Case complete, Nos. 592E, 2975, 40393 and 52236 .....
143346	8266	Rotating Hook Bobbin Case Holder .....
147064	8266	Rotating Hook Bobbin Case Holder Position Bracket .....
704J	8266	Rotating Hook Bobbin Case Holder Position Bracket Screw.....
140551C	8266	Rotating Hook Oil Flow Regulating Thumb Screw .....
143383	8266	Rotating Hook Oil Flow Regulating Thumb Screw Spring .....
233E	8266	Rotating Hook Oil Flow Regulating Thumb Screw Spring Screw .....
143301	8266	Rotating Hook Oil Wick (felt).....
40274	8266	Rotating Hook Section.....
1367E	8266	Rotating Hook Section Screw (3) .....
1253AL	8266	Rotating Hook Set Screw (2) .....
143347	8266	Rotating Hook Shaft with 143350 .....
147130	-----	Rotating Hook Shaft 143347 with 147131
147065	8266	Rotating Hook Shaft Bevel Gear (left hand spiral) with two 1259AL .....
1259AL	8266	Rotating Hook Shaft Bevel Gear Set Screw (2) .....
143082	8266	Rotating Hook Shaft Bushing (back) .....
140259AL	8266	Rotating Hook Shaft Bushing (back) Set Screw .....
143382	8266	Rotating Hook Shaft Bushing (front).....

No.	Plate	Name
1285AL	8266	Rotating Hook Shaft Bushing (front) Set Screw .....
143042	8266	Rotating Hook Shaft Oil Filter Wick .....
143349	8266	Rotating Hook Shaft Oil Filter Wick Holder .....
143350	8266	Rotating Hook Shaft Oil Filter complete, Nos. 143042 and 143349 .....
147131	8266	Rotating Hook Shaft Oil Retainer Collar with two 50429AL .....
50429AL	8266	Rotating Hook Shaft Oil Sling Set Screw (2) .....
270083	8266	Rotating Hook Thread Guard .....
1053E	8266	Rotating Hook Thread Guard Screw (4)
143351	8266	Rotating Hook Wiper (leather) .....
147256	8265	Slack Thread Regulator .....
190J	8265	Slack Thread Regulator Screw .....
147092	8265	Stitch Length Indicator Plate .....
402X	8265	Stitch Length Indicator Plate Screw .....
143085	8252	Stitch Regulator .....
143134	-----	Stitch Regulator 143085 with 140549E, 143086 and 143378 .....
143086	8252	Stitch Regulator Locking Slide .....
143087	8252	Stitch Regulator Locking Slide Ratchet Wheel .....
143088	-----	Stitch Regulator Locking Slide Ratchet Wheel Pin .....
143378	8252	Stitch Regulator Locking Slide Spring ..
140549E	8252	Stitch Regulator Locking Slide Spring Screw .....
2102	8254	Tension Disc (2) .....
1560C	8254	Tension Regulating Thumb Nut .....
1560C	8254	Tension Regulating Thumb Nut Lock Nut .....
147151	8254	Tension Releasing Disc .....
147159	8254	Tension Releasing Lever Body .....
147160	-----	Tension Releasing Lever (adjustable) 147159 with 50123X and 147161 .....
50123X	8254	Tension Releasing Lever (adjustable) Screw .....
12398	8254	Tension Releasing Lever Hinge Pin ....
147161	8254	Tension Releasing Lever Segment .....
12329	8254	Tension Releasing Lever Spring .....
32574	8254	Tension Releasing Pin .....
147152	8254	Tension Spring .....
140873C	8254	Tension Stud .....
147292	-----	Tension Stud 140873C with two 1560C
50305C	8254	Tension Stud Set Screw .....
147293	8254	Tension complete, Nos. 32574, 52083, 52394, 147151, 147152, 147292 and two 2102 .....
147257	8254	Thread Eyelet (side of arm) lower .....

No.	Plate	Name
208AL	8254	Thread Eyelet (side of arm) lower Screw
147090	8254	Thread Eyelet (side of arm) upper .....
147069	8254	Thread Guard (side of arm) .....
52454	8254	Thread Retainer .....
624AL	8254	Thread Retainer Set Screw .....
147386	-----	Thread Take-up Crank, Thread Take-up Lever with 147079, and Thread Take-up Lever Link with 147193 and eighteen 143056 .....
147258	-----	Thread Take-up Crank, Thread Take-up Lever with 147079, and Thread Take-up Lever Link with 140231C, 143057, 143058, 147193, 147492 and thirty-six 143056 .....
147345	8264	Thread Take-up Crank, Thread Take-up Lever with 147079, Thread Take-up Lever Link and Thread Take-up Lever Link Hinge Stud complete, Nos. 147075 and 147258 .....
140609AL	8252	Thread Take-up Crank Clamping Screw
140610X	8252	Thread Take-up Crank Clamping Screw Hole Plug Screw .....
147070	8252	Thread Take-up Crank Clamping Screw Hole Plug Screw Gasket .....
1036AL	8252	Thread Take-up Crank Set Screw .....
147193	8264	Thread Take-up Crank Wearing Plate ..
147156	8257	Thread Take-up Lever Guard .....
147077	8257	Thread Take-up Lever Guard Gasket ....
152X	8257	Thread Take-up Lever Guard Screw (2)
147073	8264	Thread Take-up Lever Link Hinge Stud
147074	8264	Thread Take-up Lever Link Hinge Stud Oil Wick .....
435AL	8264	Thread Take-up Lever Link Hinge Stud Set Screw .....
147075	-----	Thread Take-up Lever Link Hinge Stud 147073 with 147074 .....
147296	8253	Thread Take-up Lever Oil Guard with 143196 and 147053 .....
217E	8253	Thread Take-up Lever Oil Guard Screw
143056	8264	Thread Take-up Lever Roller Bearing (18) .....
147079	8264	Thread Take-up Lever Thread Eyelet Bushings .....
52394	8254	Thread Take-up Spring .....
52083	8254	Thread Take-up Spring Regulator with 50305C .....
448AL	8254	Thread Take-up Spring Regulator Set Screw .....
147259	8261	Throat Plate Body .....

No.	Plate	Name
147260	8261	Throat Plate Cutting Bar (small needle hole) No. 53 Drill, No. 5 Needle Position for 147261 .....
		NOTE: No. 147260 3/16 in. gauge (tied to the Arm of Machine) is also sent with Machine unless another gauge is specified on order.
		NOTE: When ordering No. 147260, state required distance of trimmed edge from seam.
50438D	8261	Throat Plate Cutting Bar Screw (2) .....
127035	8261	Throat Plate Slide .....
50438D	8261	Throat Plate Slide Screw .....
147262	8267	Throat Plate Cutting Bar (large needle hole) No. 46 Drill, No. 5 Needle Position for 147263 .....
		NOTE: When ordering No. 147262, state required distance of trimmed edge from seam.
147261	8261	Throat Plate (small needle hole) complete, for 3/32 in., 1/8 in., 5/32 in., 3/16 in. and 1/4 in. trim No. 53 Drill, No. 5 Needle Position, Nos. 127035, 147259, 147260 and three 50438D .....
		NOTE: No. 147261 1/8 in. gauge is sent with this Machine unless another gauge is specified on order.
		NOTE: When ordering No. 147261, state required distance of trimmed edge from seam.
147263	8267	Throat Plate (large needle hole) complete, for 3/32 in., 1/8 in., 5/32 in., 3/16 in. and 1/4 in. trim, No. 46 Drill, No. 5 Needle Position, Nos. 127035, 147259, 147262 and three 50438D .....
		NOTE: When ordering No. 147263, state required distance of trimmed edge from seam.
142032	8267	Throat Plate Cutting Bar (small needle hole) No. 53 Drill, No. 5 Needle Position, for 147294 .....
147294	8267	Throat Plate (small needle hole) complete, for 1/16 in. trim, No. 53 Drill, No. 5 Needle Position, Nos. 127035, 142032, 147259 and three 50438D .....
52131	8267	Throat Plate Cutting Bar (large needle hole) No. 46 Drill, No. 5 Needle Position, for 147295 .....
147295	8267	Throat Plate (large needle hole) complete, for 1/16 in. trim No. 46 Drill, No. 5 Needle Position, Nos. 52131, 127035, 147259 and three 50438D .....
1454XC	8261	Throat Plate Screw (2) .....

## ACCESSORIES

No.	Plate	Name
25878	8268	Edge Guide .....
50190J	8268	Edge Guide Thumb Screw .....
143308	8268	Machine Base and Oil Reservoir Cushion (4) .....
12361	8268	Machine Hinge Connection (2) .....
41400	8268	Machine Rest Pin (wood) .....
121741	8268	One quart can filled with light grade stainless oil .....
228476	8268	Screw Driver .....
120440	8268	Screw Driver.....
259477	8268	Screw Driver 5 in. long .....
146057	8268	Wrench (socket) for 140609 .....
		NOTE: No. 146057 is not regularly furnished.
129090	8268	Wrench for 1607 .....
8908	8268	Wrench .....
		NOTE: No. 8908 is not regularly furnished.
11140	8268	Wrench .....
		NOTE: No. 11140 is not regularly furnished.

BOBBIN WINDER  
(For Round Belt)

No.	Plate	Name
259428	23253	Brake (leather) .....
259429	23253	Brake Clamp .....
200113F	23253	Brake Clamp Screw .....
225453	23253	Frame with 202277 and 259660 .....
225454	23253	Frame Hinge Pin .....
202277	23253	Frame Oil Packing (wick) .....
259660	23253	Frame Oil Well Washer.....
225455	23253	Frame Spring .....
225456	23253	Frame Spring Plunger.....
225368	23253	Pulley with 200380C .....
200380C	23253	Pulley Set Screw .....
225381	23253	Spindle .....
225444	23253	Stop Latch .....
200056E	23253	Stop Latch Screw.....
225458	23253	Stop Latch Thumb Lever .....
225459	23253	Stop Latch Thumb Lever Hinge Stud ..
225459	23253	Stop Latch Thumb Lever Joint Stud.....
202478	23253	Stop Latch Trip Lever .....
200299X	23253	Stop Latch Trip Lever Hinge Screw.....
225461	23253	Tension Bracket with 201499X .....
200082D	23253	Tension Bracket Screw .....
228026	23253	Tension Bracket Screw Washer .....
2102	23253	Tension Disc (2) .....
13710	23253	Tension Spring .....
201499X	23253	Tension Stud .....

**BOBBIN WINDER**  
(For Round Bobt)  
(Continued)

No.	Plate	Name
201572X	23253	Tension Stud Thumb Nut.....
225462	23253	Bobbin Winder Tension Bracket complete, Nos. 13710, 201572X, 225461 and two 2102.....
259430	23253	Bobbin Winder and Tension Bracket Base .....
259431	23253	Bobbin Winder (round belt) complete, Nos. 200056E, 200082D, 200113F, 200299X, 202478, 225368, 225381, 225444, 225453, 225454, 225455, 225456, 225458, 225462, 228026, 259428, 259429, 259430 and two each 225459 and wood screws 3/4 in. No. 12 R.H.B.

**BOBBIN WINDER No. 259462**  
(Swinging Automatic, Right Hand)  
For "V" Belt Drive

No.	Plate	Name
259428	23253	Brake (leather) .....
259429	23253	Brake Clamp .....
200113F	23253	Brake Clamp Screw .....
225453	23253	Frame with 202277 and 259660 .....
225454	23253	Frame Hinge Pin.....
202277	23253	Frame Oil Packing (wick) .....
259660	23253	Frame Oil Well Washer .....
225455	23253	Frame Spring.....
225456	23253	Frame Spring Plunger.....
259461	23253	Pulley with 200380C .....
200380C	23253	Pulley Set Screw .....
225381	23253	Spindle.....
225444	23253	Stop Latch.....
200056E	23253	Stop Latch Screw .....
225458	23253	Stop Latch Thumb Lever .....
225459	23253	Stop Latch Thumb Lever Hinge Stud .....
225459	23253	Stop Latch Thumb Lever Joint Stud .....
202478	23253	Stop Latch Trip Lever.....
200299X	23253	Stop Latch Trip Lever Hinge Screw .....
225461	23253	Tension Bracket with 201499X .....
200082D	23253	Tension Bracket Screw .....
228026	23253	Tension Bracket Screw Washer .....
2102	23253	Tension Disc (2) .....
13710	23253	Tension Spring.....
201499X	23253	Tension Stud .....
201572X	23253	Tension Stud Thumb Nut.....

**BOBBIN WINDER No. 259462**  
(Swinging Automatic, Right Hand)  
For "V" Belt Drive  
(Continued)

No.	Plate	Name
225462	23253	Bobbin Winder Tension Bracket complete, Nos. 13710, 201572X, 225461 and two 2102 .....
259662	23253	Bobbin Winder and Tension Bracket Base .....
259462	23253	Bobbin Winder complete, for "V" Belt Drive, Nos. 200056E, 200082D, 200113F, 200299X, 202478, 225381, 225444, 225453, 225454, 225455, 225456, 225458, 225462, 228026, 259428, 259429, 259461, 259662, two each 225459 and wood screws 3/4 in. No. 12 R.H.B. ....

**KNEE LIFTER**

No.	Plate	Name
143179	8245	Bell Crank Plunger.....
143280	23284	Rock Shaft .....
143302	-----	Rock Shaft 143280 with 143286, 147482 and 147483 .....
147482	23284	Rock Shaft Crank with 140351AL and 143282 .....
140350C	23284	Rock Shaft Crank Adjusting Screw .....
143282	-----	Rock Shaft Crank Adjusting Screw 140350C with 51649J .....
51649J	23284	Rock Shaft Crank Adjusting Screw Lock Nut .....
140351AL	23284	Rock Shaft Crank Clamping Screw.....
143283	23284	Rock Shaft Knee Arm.....
147489	23284	Rock Shaft Knee Arm Hub with 140351AL and 140737C .....
140351AL	23284	Rock Shaft Knee Arm Hub Clamping Screw .....
140737C	23284	Rock Shaft Knee Arm Set Screw .....
147488	-----	Rock Shaft Knee Arm complete, Nos. 2767, 143283 and 147489 .....
2767	23284	Rock Shaft Knee Arm Plate with 356C ..
356C	23284	Rock Shaft Knee Arm Plate Set Screw .....
143286	23284	Rock Shaft Spring .....
147483	23284	Rock Shaft Stop Dog with 140351AL .....
140351AL	23284	Rock Shaft Stop Dog Clamping Screw .....
143288	23284	Rock Shaft complete, Nos. 143302 and 147488 .....

### MACHINE BASE AND OIL RESERVOIR

No.	Plate	Name
143256	8245	Machine Base and Oil Reservoir .....
143257	8245	Machine Base and Oil Reservoir Gasket (cork) .....
50741	8245	Machine and Machine Base and Oil Reservoir Screw (for shipping purposes)
140343E	8245	Machine and Machine Base and Oil Reservoir Screw Hole Plug Screw .....
143359	8245	Machine Base and Oil Reservoir Screw Retainer (for shipping purposes) .....
143360	8245	Machine Base and Oil Reservoir Screw Cotter Pin (for shipping purposes) .....

### THREAD UNWINDER

For Two Spools or Two Large Cones of Thread

No.	Plate	Name
228764	24193	Spool Pin (2).....
228766	24193	Spool Rest with 201254C.....
150203	24193	Spool Rest Cushion (felt) (2) .....
228767	24193	Spool Rest Rod .....
201254C	24193	Spool Rest Set Screw .....
228768	24193	Spool Stand .....
228769	24193	Thread Guide (2).....
228770	24193	Thread Guide Holder.....
228774	24193	Thread Guide Rod .....
228776	24193	Thread Unwinder complete, for two spools, Nos. 228766, 228767, 228768, 228770, 228774, two each 150203, 228764, 228769 and three wood screws 7/8 in. No. 12 .....
27739	-----	Thread Cone (wood) for large cones .....
225390	-----	Thread Cone Holder, for inverted cones

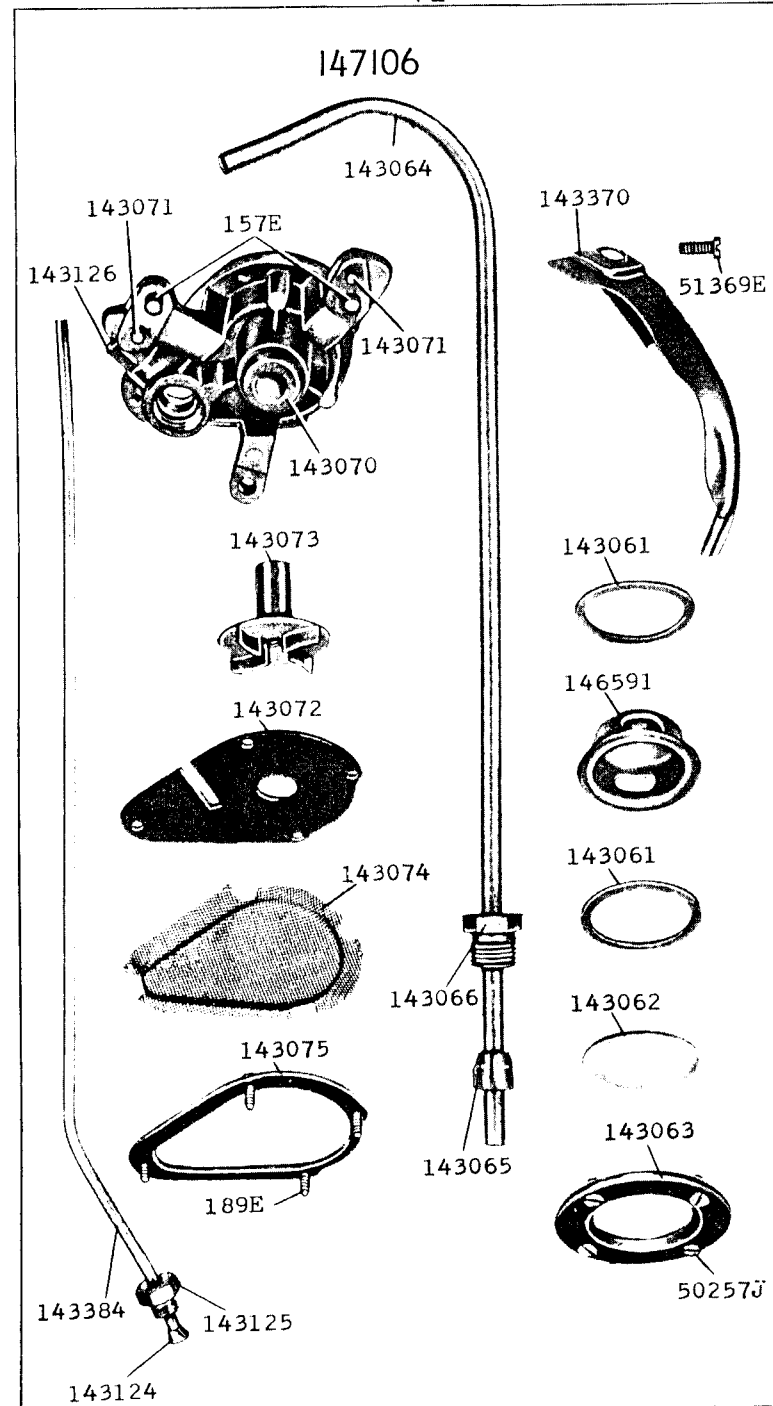
NOTE: No. 27739 and 225390 are used with, but not included in 228776.

### NUMERICAL LIST OF PARTS

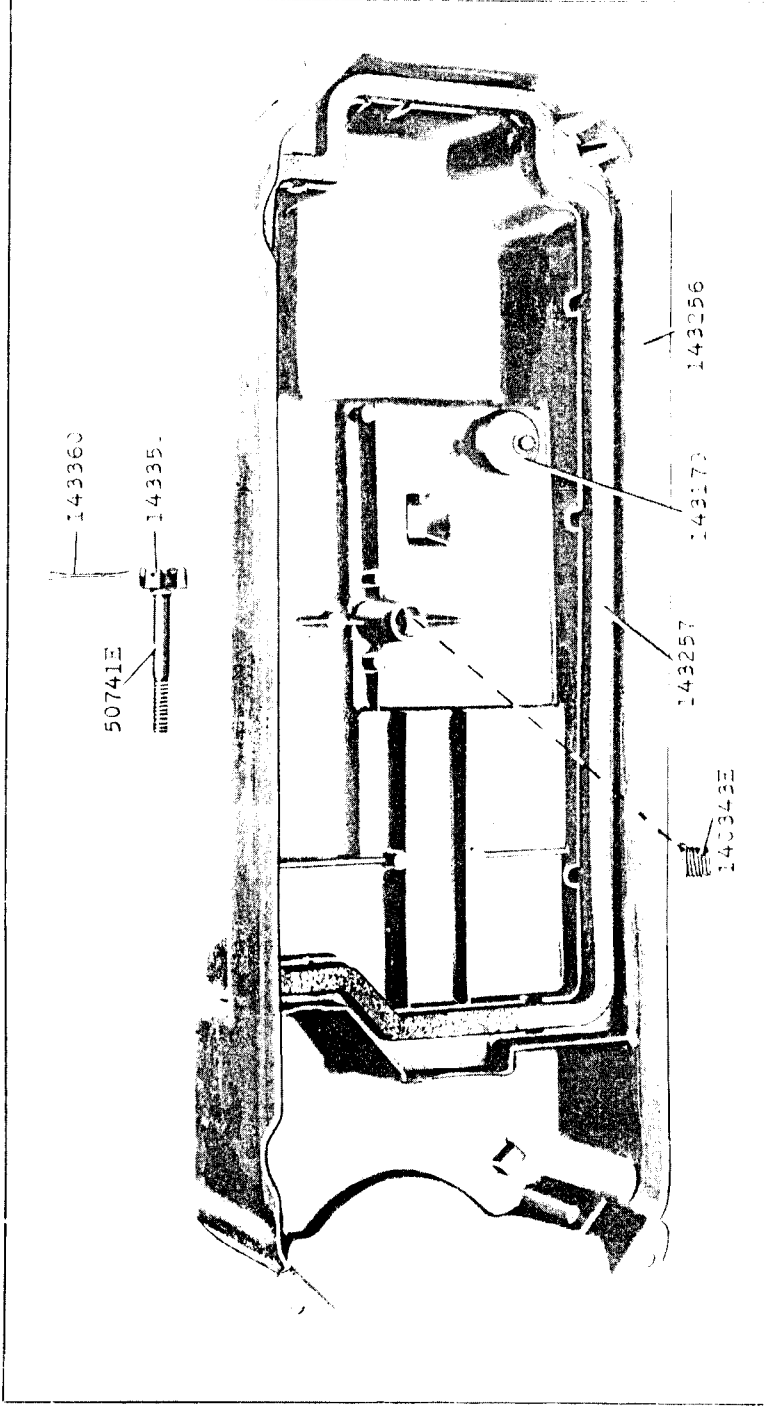
No.	Plate	Name
69XC	8258	Presser Bar Lifter Hinge Screw.....
144D	8252	Arm Shaft (horizontal) Screw (back) .....
152X	8253	Arm Side Shield Screw .....
152X	8259	Face Plate Screw .....
152X	8259	Knife Bar Release Lever Bracket Screw for 147210.....
152X	8257	Thread Take-up Lever Guard Screw .....
157J	8260	Feed Rock Shaft Crank Clamping Screw for 147044 .....
157E	8231	Oil Pump (centrifugal) Body Screw .....
158R	8258	Bell Crank Bracket Screw .....
158E	8260	Feed Bar Carrier Clamping Screw for 147355.....
185XC	8262	Knife Holder Handle Screw for 147240..
185XC	8262	Knife Screw for 147240.....
189E	8231	Oil Pump (centrifugal) Screen Frame Screw.....
190J	8265	Slack Thread Regulator Screw .....
197E	8260	Feed Lifting Rock Shaft and Feed Rock Shaft Oil Wick Holder Screw .....
197E	8260	Feed Lifting Rock Shaft Oil Wick Clamp- ing Plate Screw for 147030.....
197E	8260	Feed Rock Shaft Oil Wick Clamping Plate Screw for 147041 .....
197E	8263	Knife Bar Crank Shaft Feeder Oil Wick Clamping Plate Screw for 147223 .....
207E	8252	Arm Shaft (horizontal) Flanged Bushing (back) Oil Sump Tube Holder Screw .....
208AL	8262	Knife Bar Retaining Plate (lower) Screw
208AL	8262	Knife Bar Retaining Plate (upper) Screw
208AL	8262	Knife Holder Screw for 147240 .....
208AL	8254	Thread Eyelet (side of arm) lower Screw
217E	8253	Thread Take-up Lever Oil Guard Screw
223E	8260	Feed Lifting Rock Shaft Cap Screw .....
223E	8260	Feed Rock Shaft Cap Screw .....
223C	8252	Knife Bar Crank (back) Connection Eccentric End Plate Screw for 147215..
228E	8260	Feed Bar Carrier Oil Wick Holder Screw
228E	8253	Oil Removing Wick (head end) Holder Body Stop and Spring Clip Screw for 147056 .....
233E	8266	Rotating Hook Oil Flow Regulating Thumb Screw Spring Screw .....
356C	23284	Knee Lifter Rock Shaft Knee Arm Plate Set Screw for 2767 .....
402X	8256	Stitch Length Indicator Plate Screw .....
435AL	8264	Thread Take-up Lever Link Hinge Stud Set Screw .....
440AL	8263	Knife Bar Crank Shaft Bushing (front) Set Screw .....

No.	Plate	Name
228476	8268	Screw Driver (Accessories) .....
228764	24193	Thread Unwinder Spool Pin for 228776..
228766	24193	Thread Unwinder Spool Rest with 201254C, for 228776 .....
228767	24193	Thread Unwinder Spool Rest Rod for 228776 .....
228768	24193	Thread Unwinder Spool Stand for 228776
228769	24193	Thread Unwinder Thread Guide for 228776 .....
228770	24193	Thread Unwinder Thread Guide Holder for 228776 .....
228774	24193	Thread Unwinder Thread Guide Rod for 228776 .....
228776	24193	Thread Unwinder complete, for two spools Nos. 228766, 228767, 228768, 228770, 228774, two each 150203, 228764, 228769 and three wood screws 7/8 in. No. 12 .....
259428	23253	Bobbin Winder Brake (leather) for 259431 and 259462 .....
259429	23253	Bobbin Winder Brake Clamp for 259431 and 259462 .....
259430	23253	Bobbin Winder and Tension Bracket Base for 259431 .....
259431	23253	Bobbin Winder (round belt) complete, Nos. 200056E, 200082D, 200113F, 200299X, 202478, 225368, 225381, 225444, 225453, 225454, 225455, 225456, 225458, 225462, 228026, 259428, 259429, 259430 and two each 225459 and wood screws 3/4 in. No. 12 R.H.B. ....
259461	23253	Bobbin Winder Pulley with 200380C, for 259462 .....
259462	23253	Bobbin Winder (swinging automatic, right hand) complete "V" belt drive, Nos. 200056E, 200082D, 200113F, 200299X, 202478, 225381, 225444, 225453, 225454, 225455, 225456, 225458, 225462, 228026, 259428, 259429, 259461, 259662, two each 225459 and wood screws 3/4" No. 12 R.H.B. ....
259477	8268	Screw Driver 5" long (Accessories) ....
259660	23253	Bobbin Winder Frame Oil Well Washer for 225453 .....
259662	23253	Bobbin Winder and Tension Bracket Base for 259462 .....
270010	8266	Rotating Hook Bobbin .....
270083	8266	Rotating Hook Thread Guard for 143341
272110	8260	Feed Bar Connecting Link for 147354....
272111	8260	Feed Bar Connecting Link Oil Wick Clamp .....

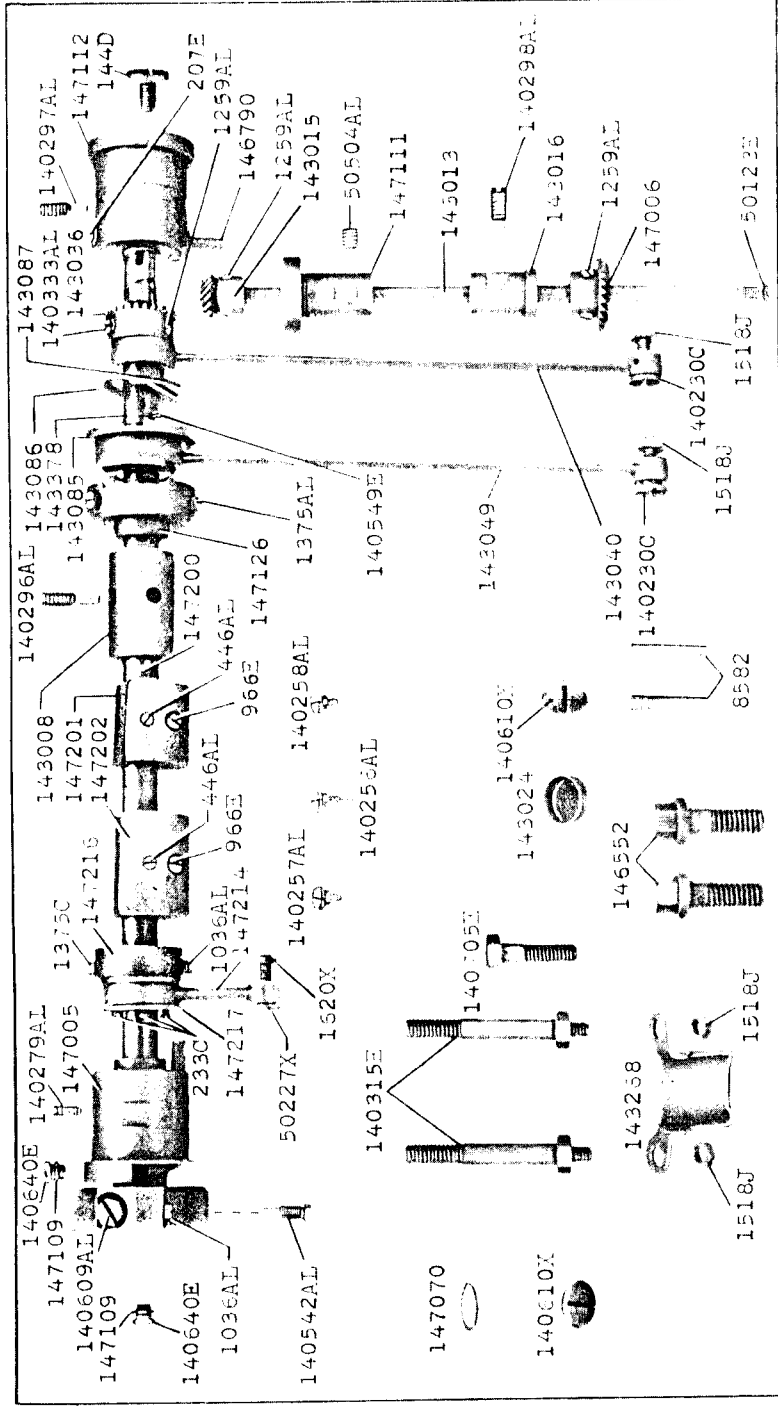
8231-1/2



8245-1/3

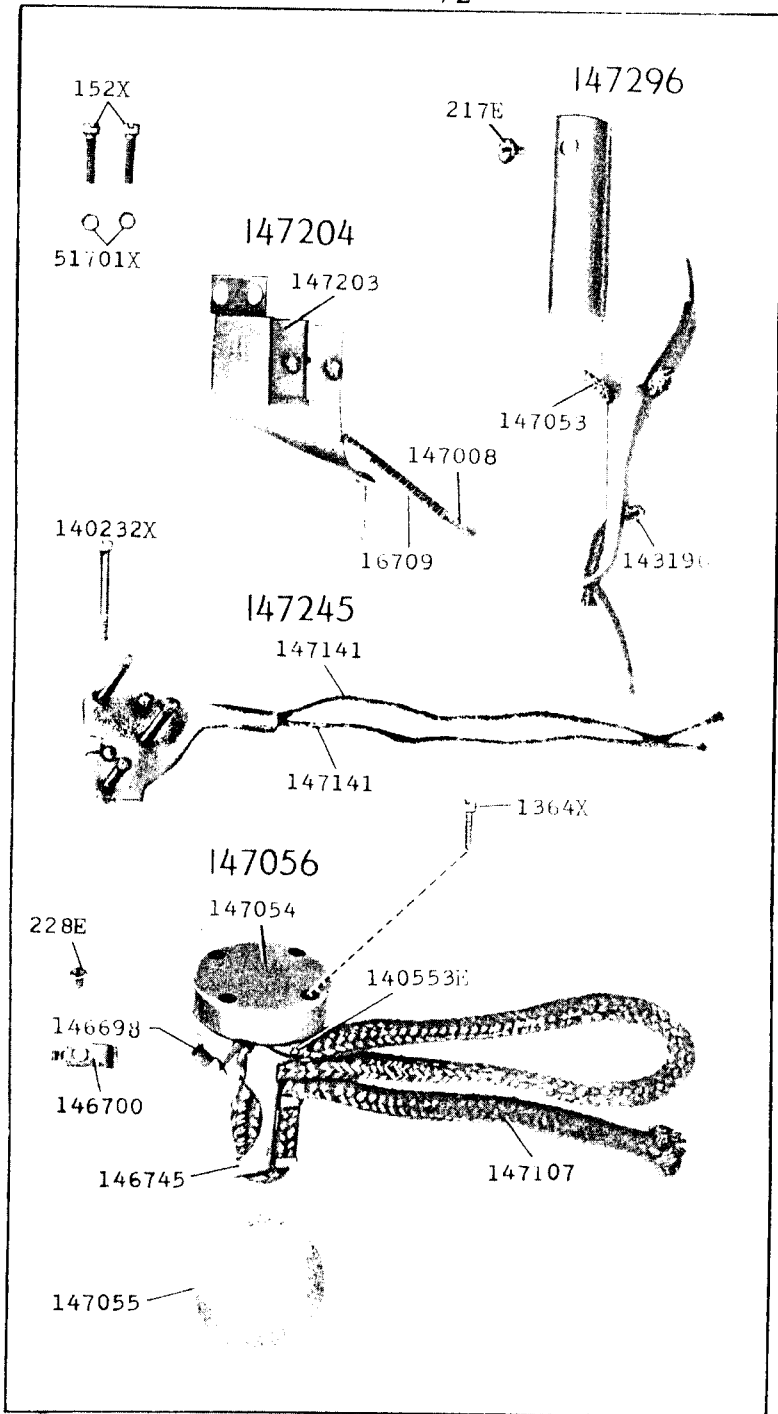


8252-1/3

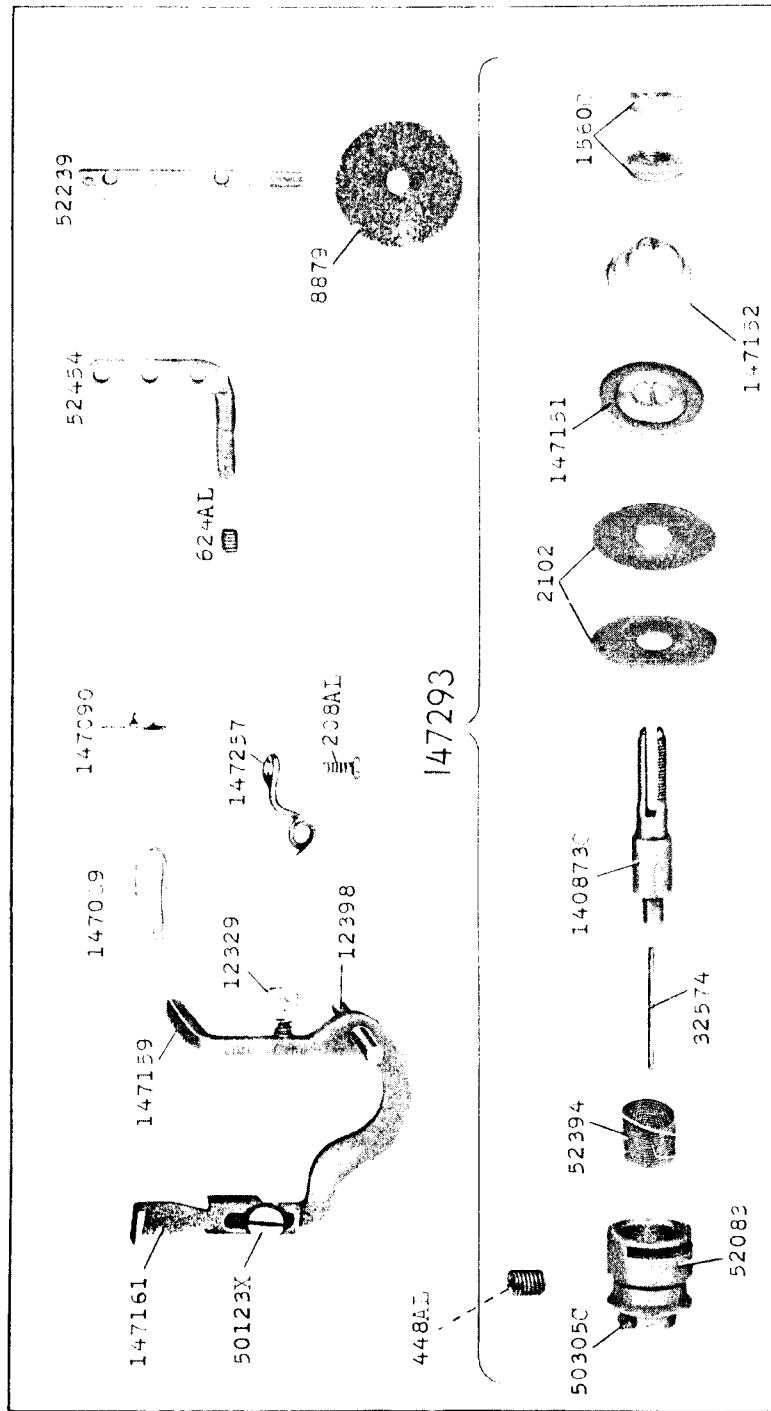




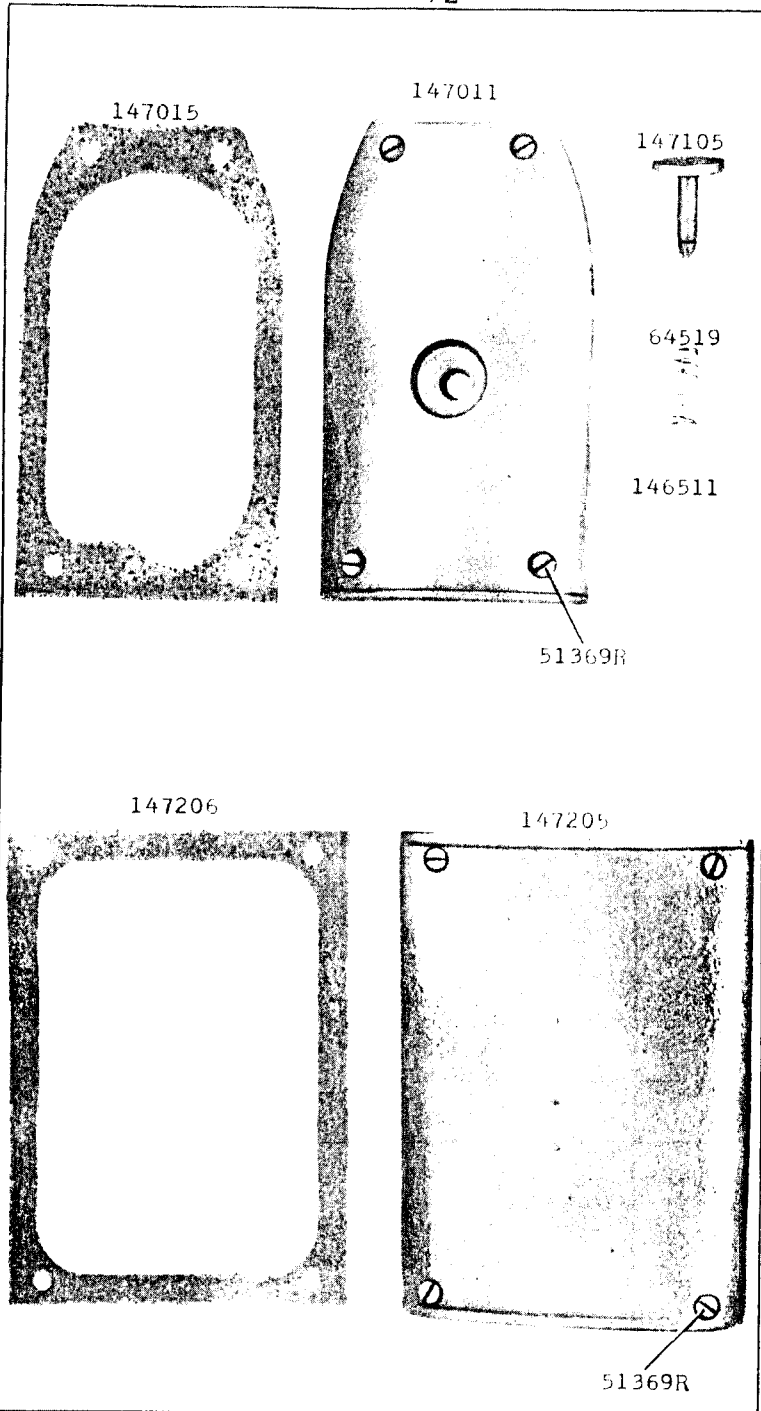
8253-1/2



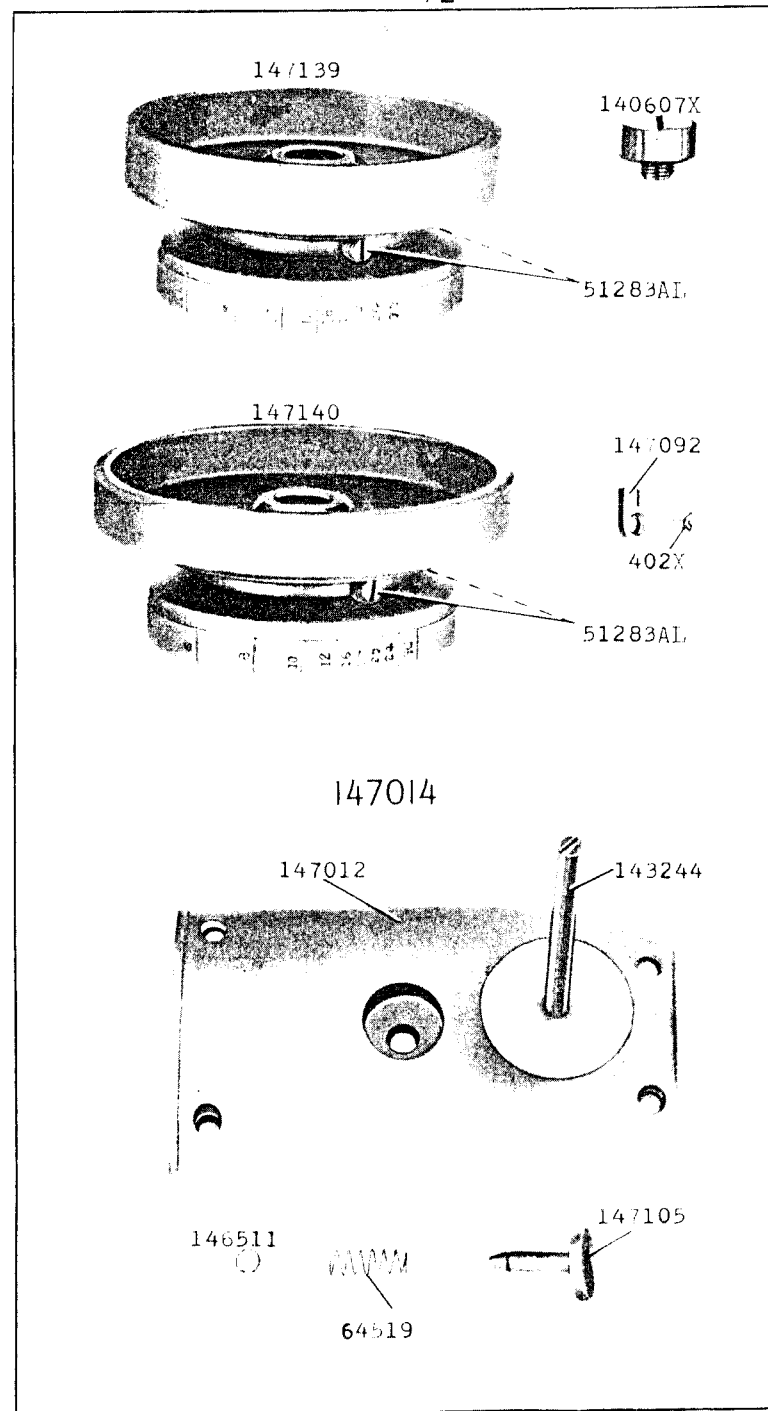
8254-2/3



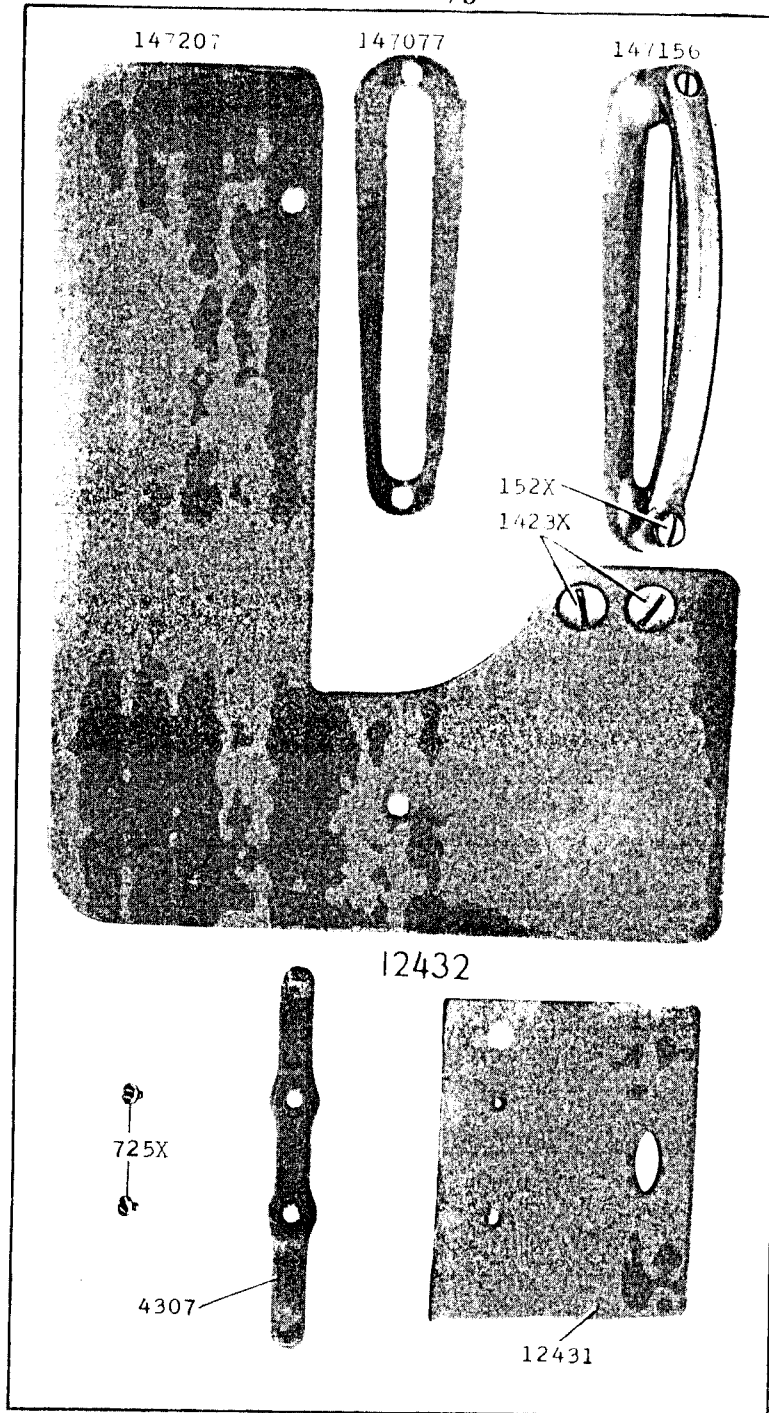
8255-1/2



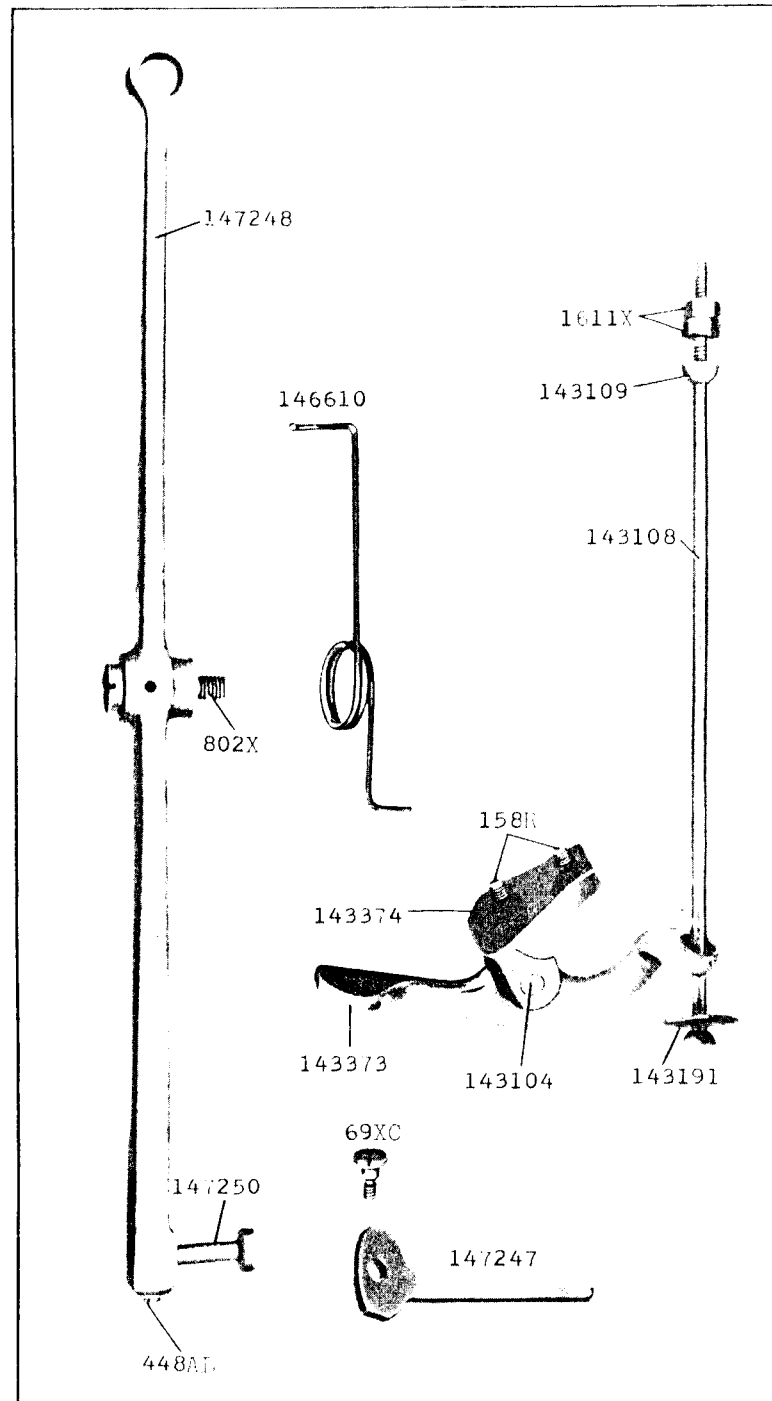
8256-1/2



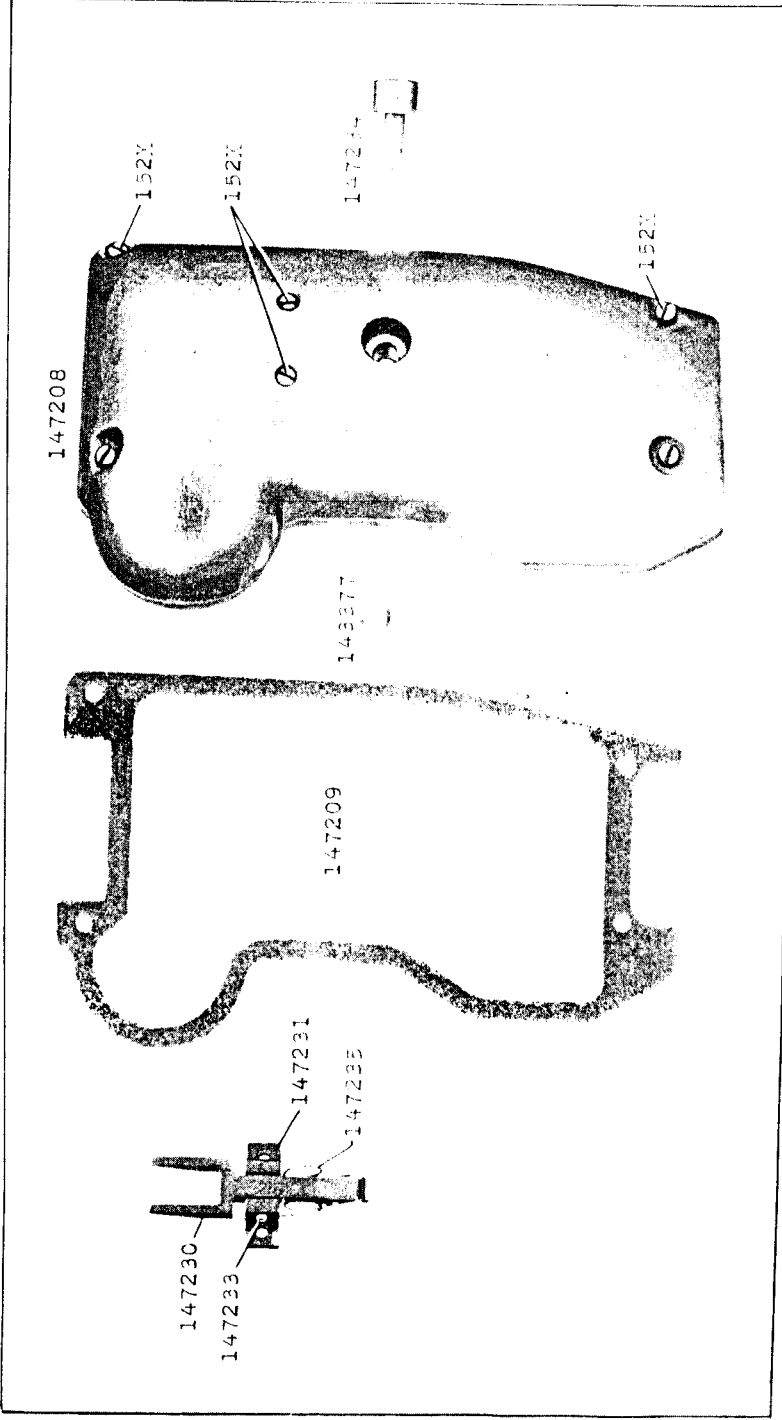
8257-2/3



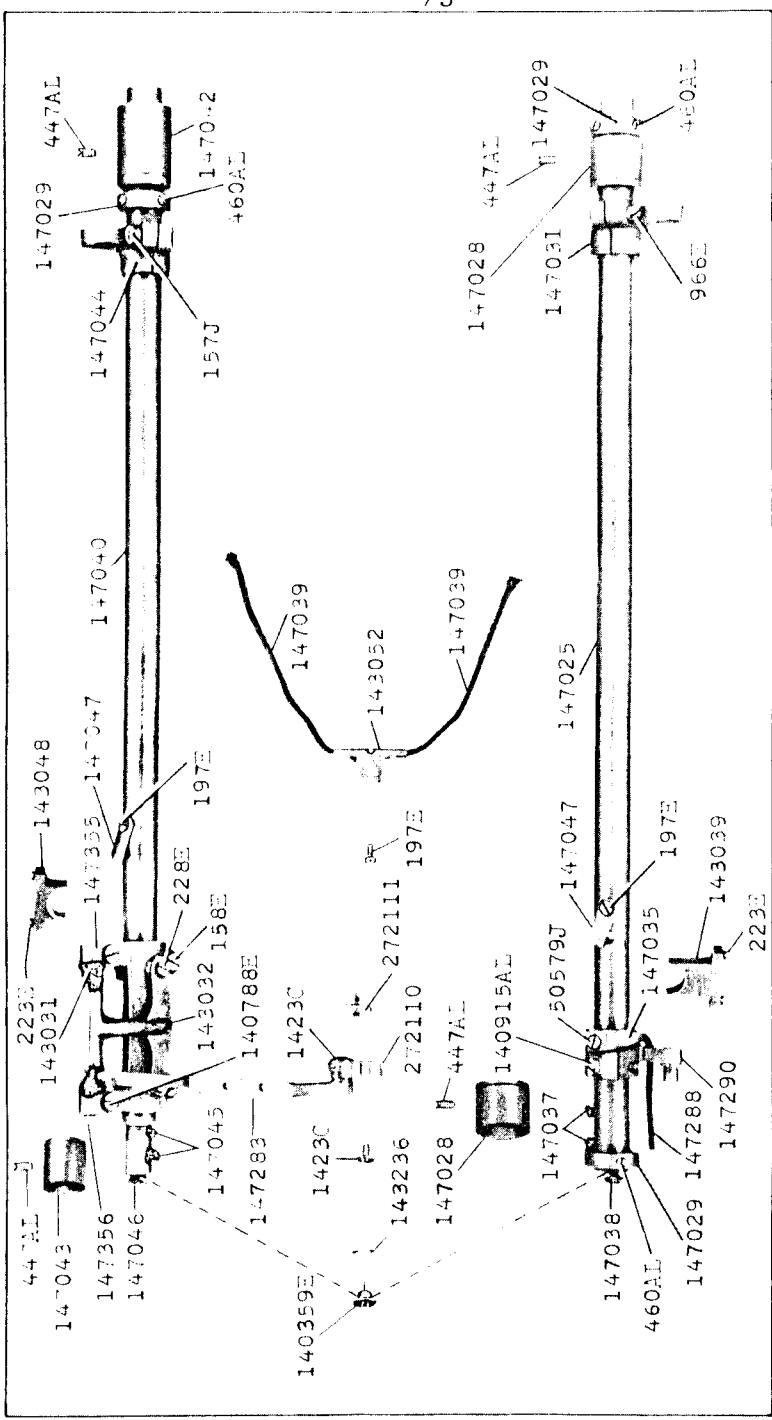
8258-1/2



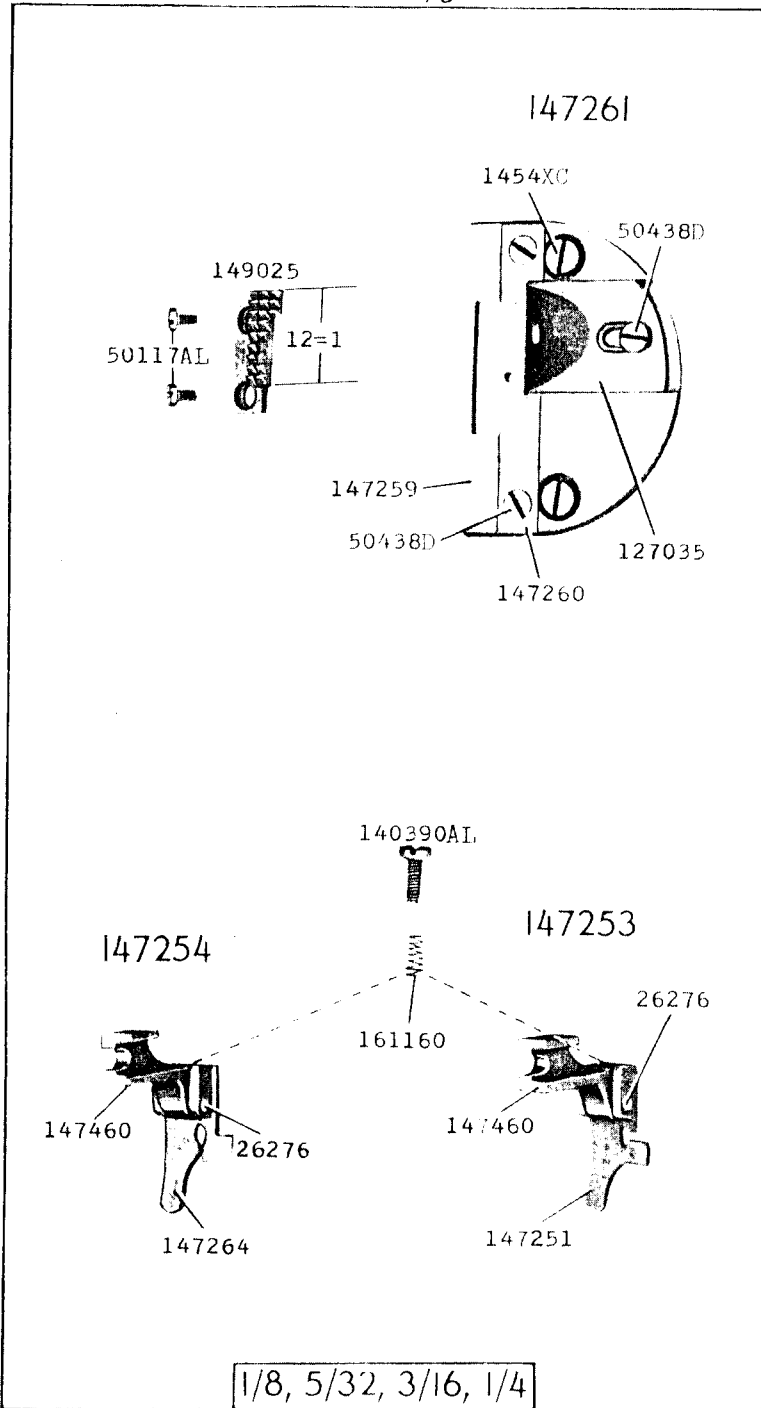
8259-1/2



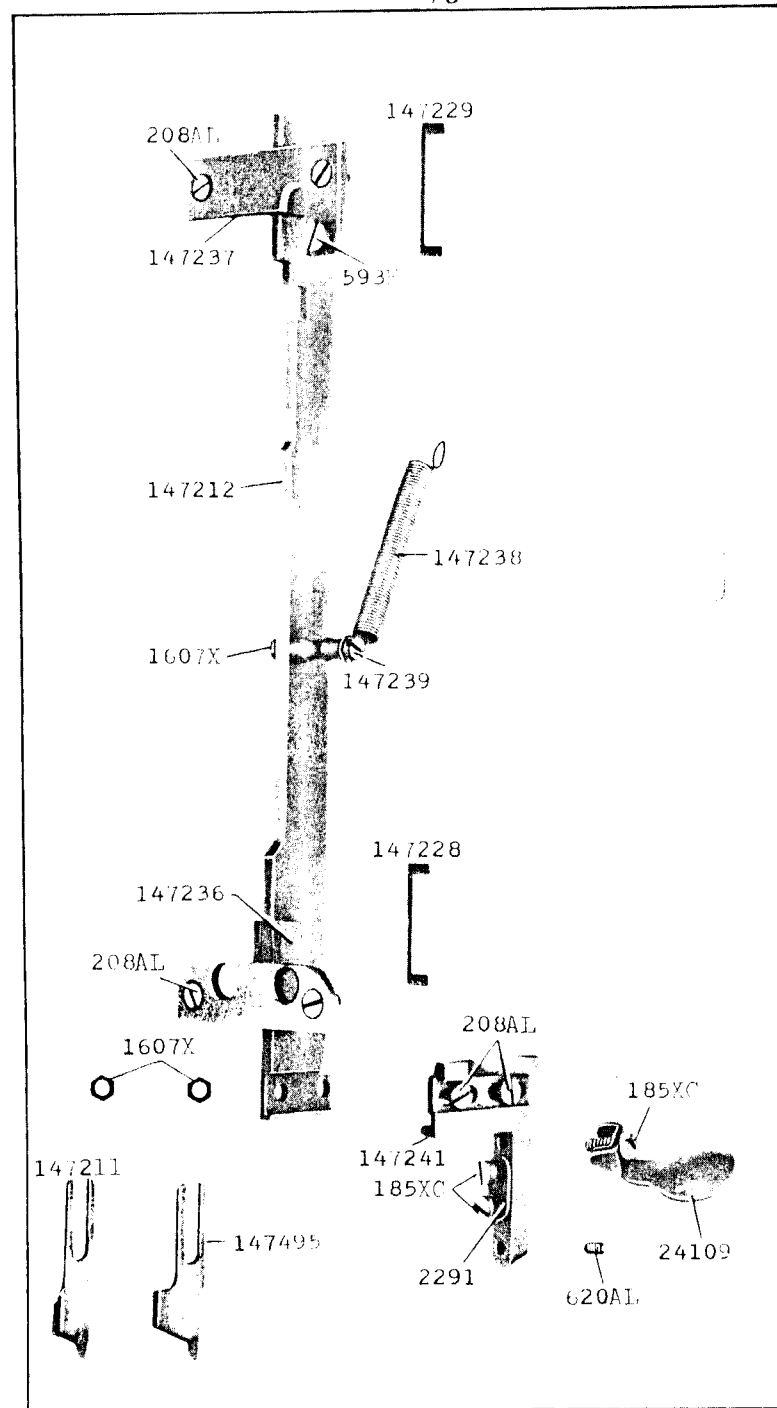
8260-1/3



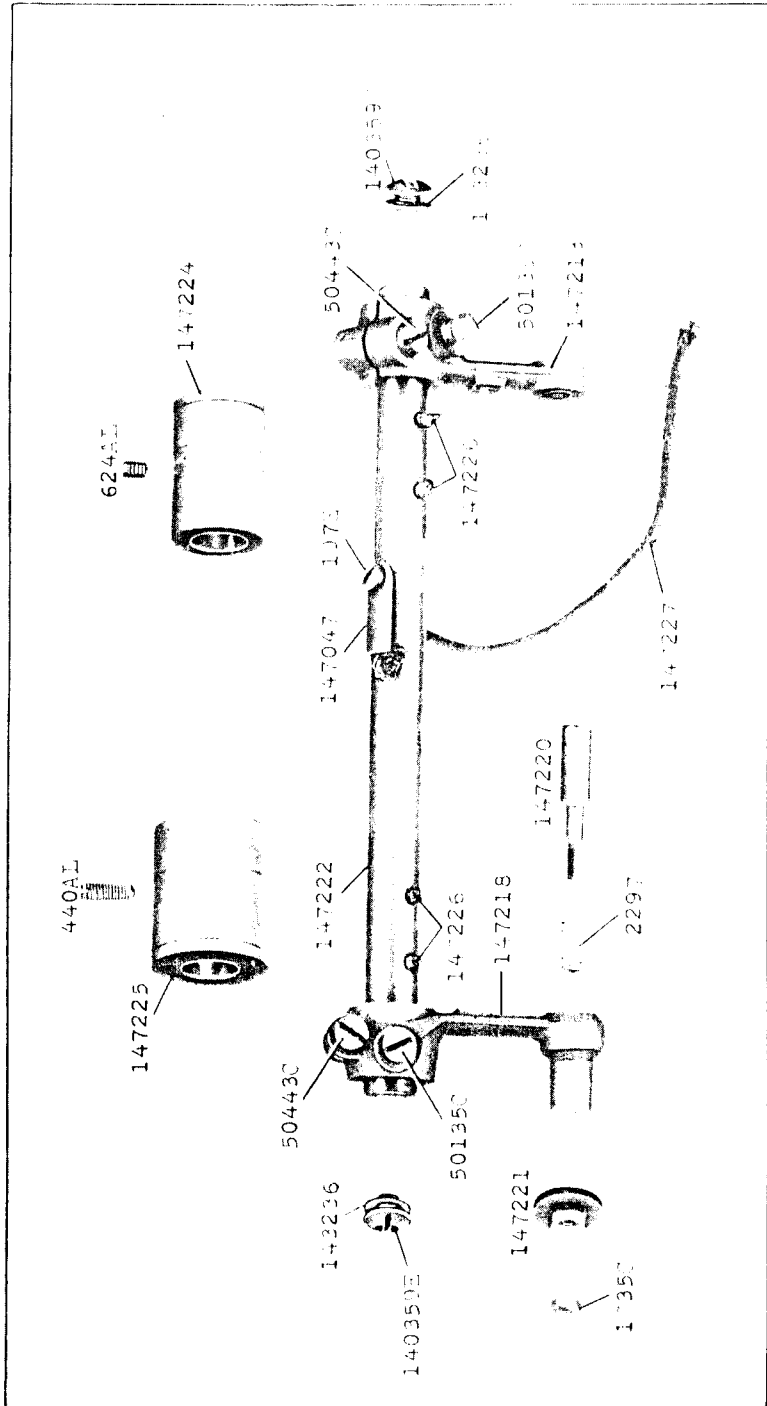
8261-2/3



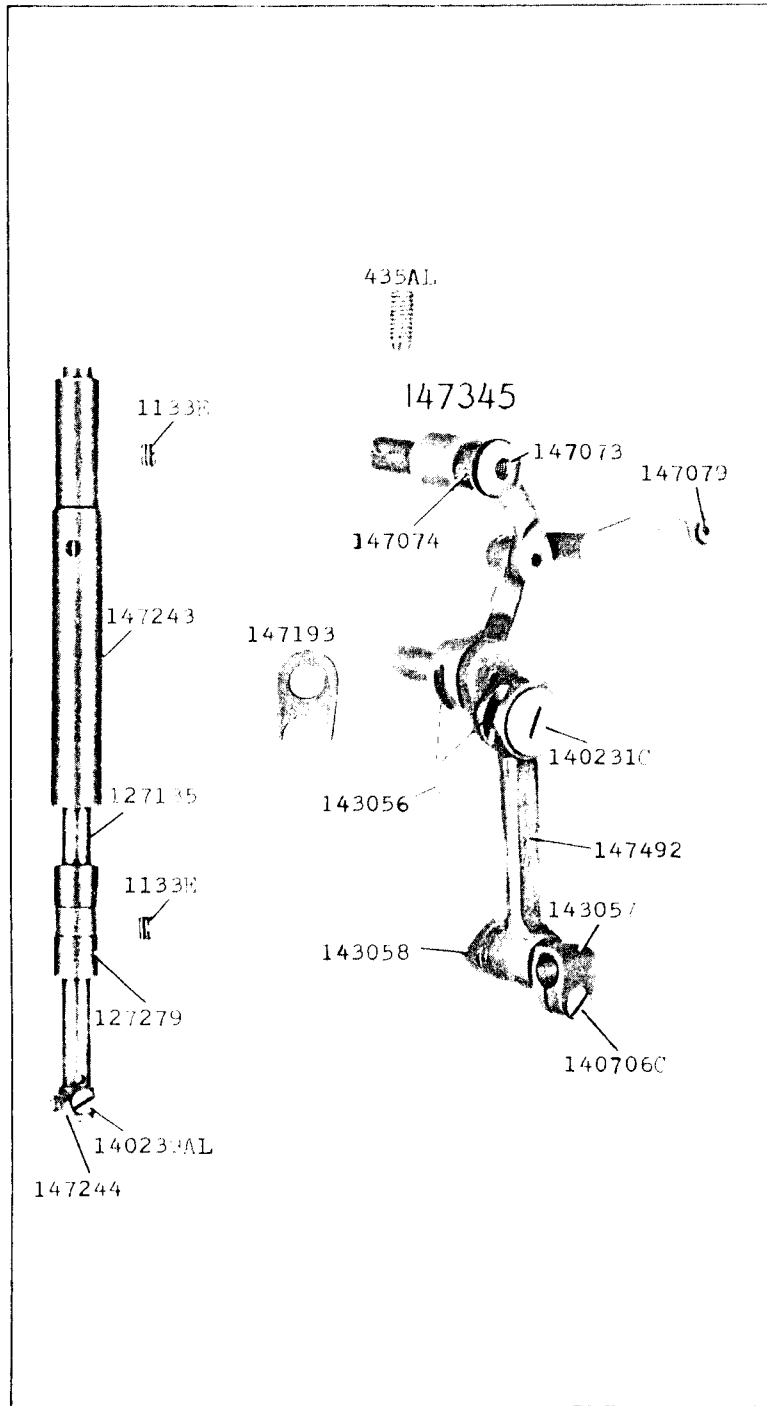
8262-2/3



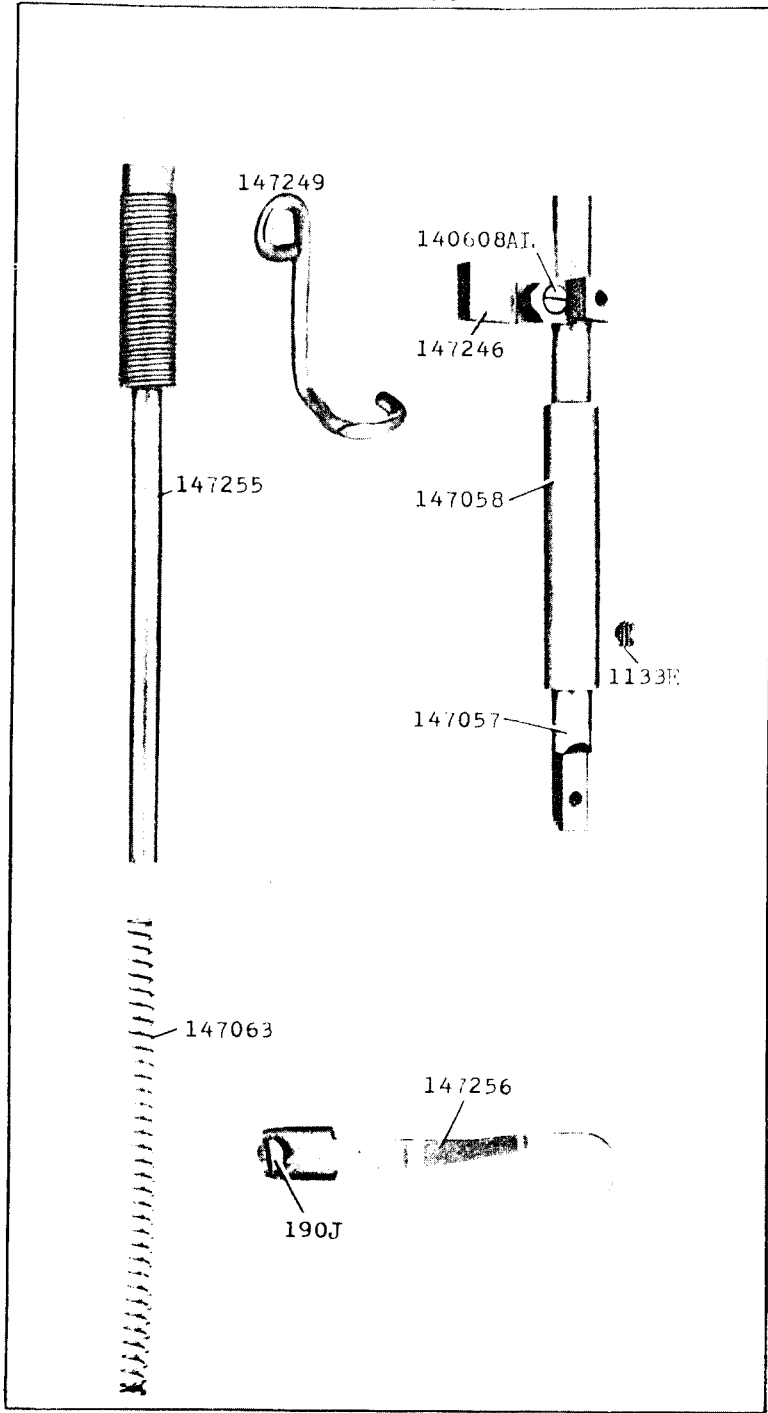
8263-2/3



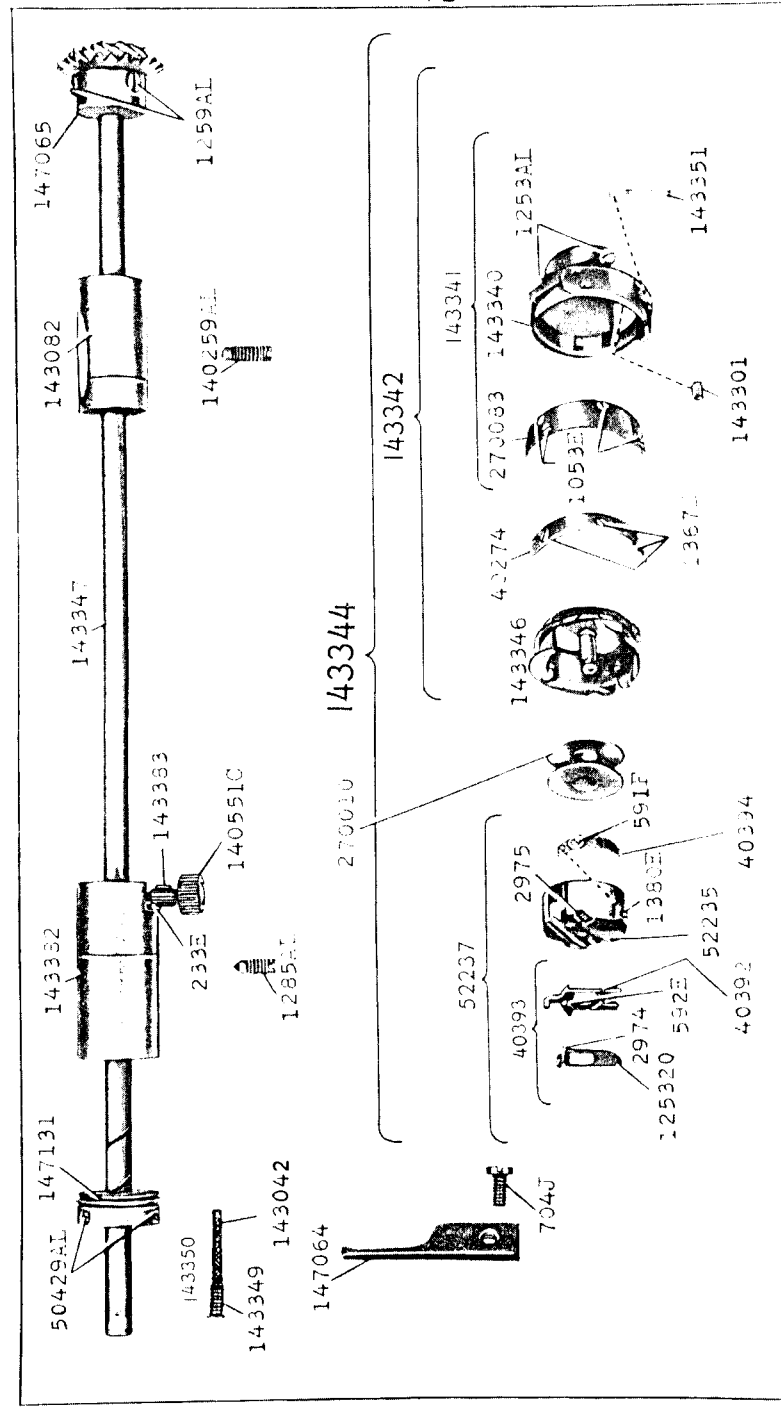
8264 2/3



8265-2/3



8266-1/2

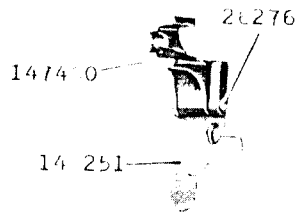
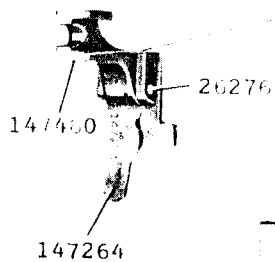


8267-2/3

147254

14110

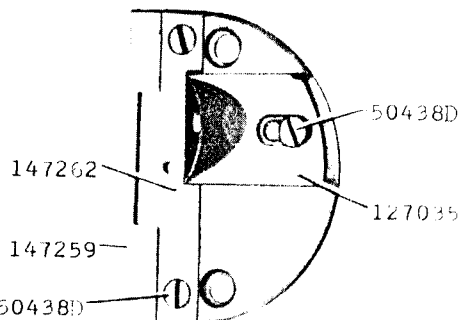
147253



147263

14251

147264



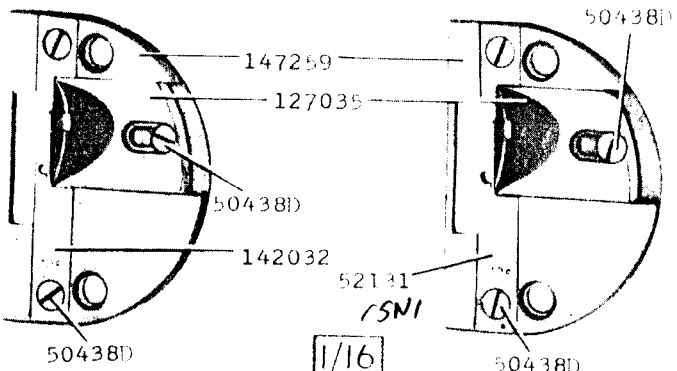
1/8, 5/32, 3/16, 1/4

127033



147294

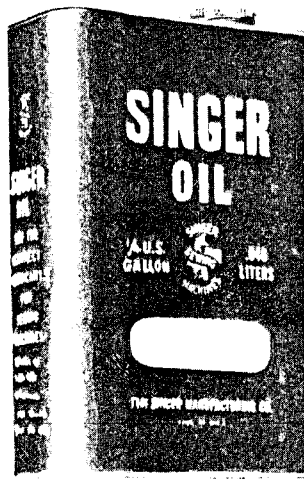
147295



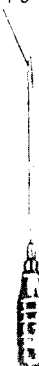
1/16

8268-1/2

121741



228476



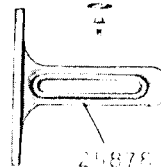
259477



120440



70190J

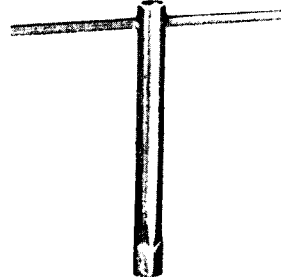


12361



143308

146057



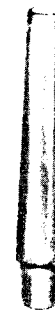
8908



11140

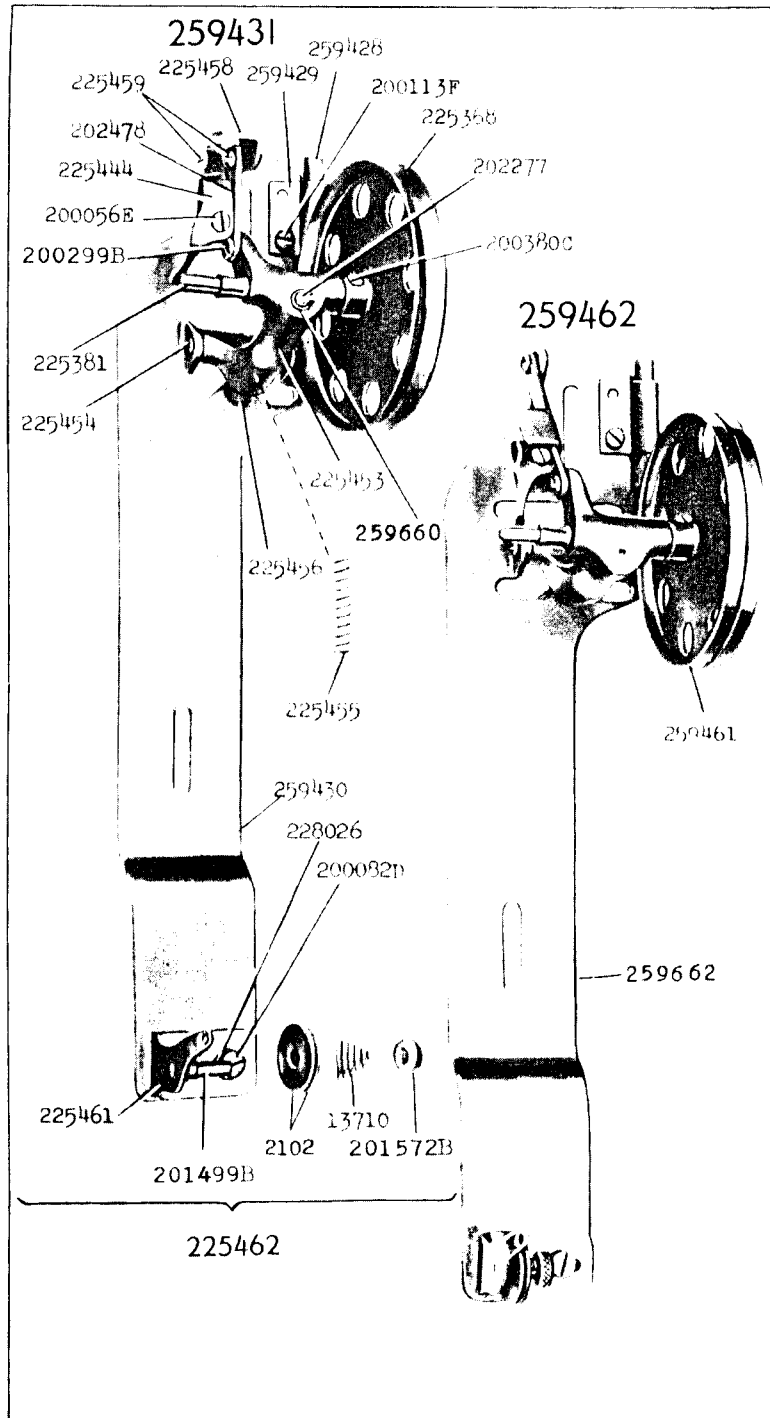


41400

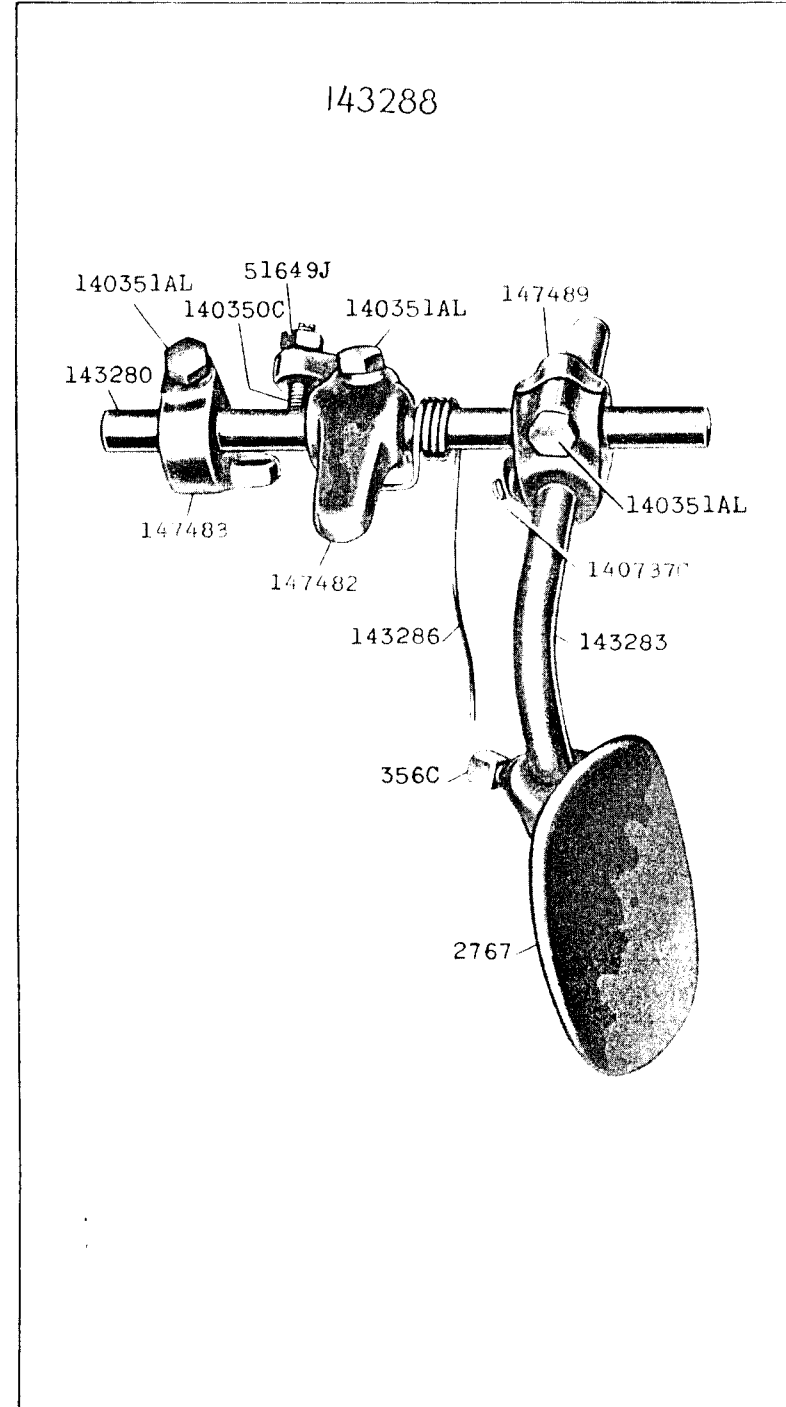




23253 - 3/8



23284 - 1/2



24193 1/6

228776

