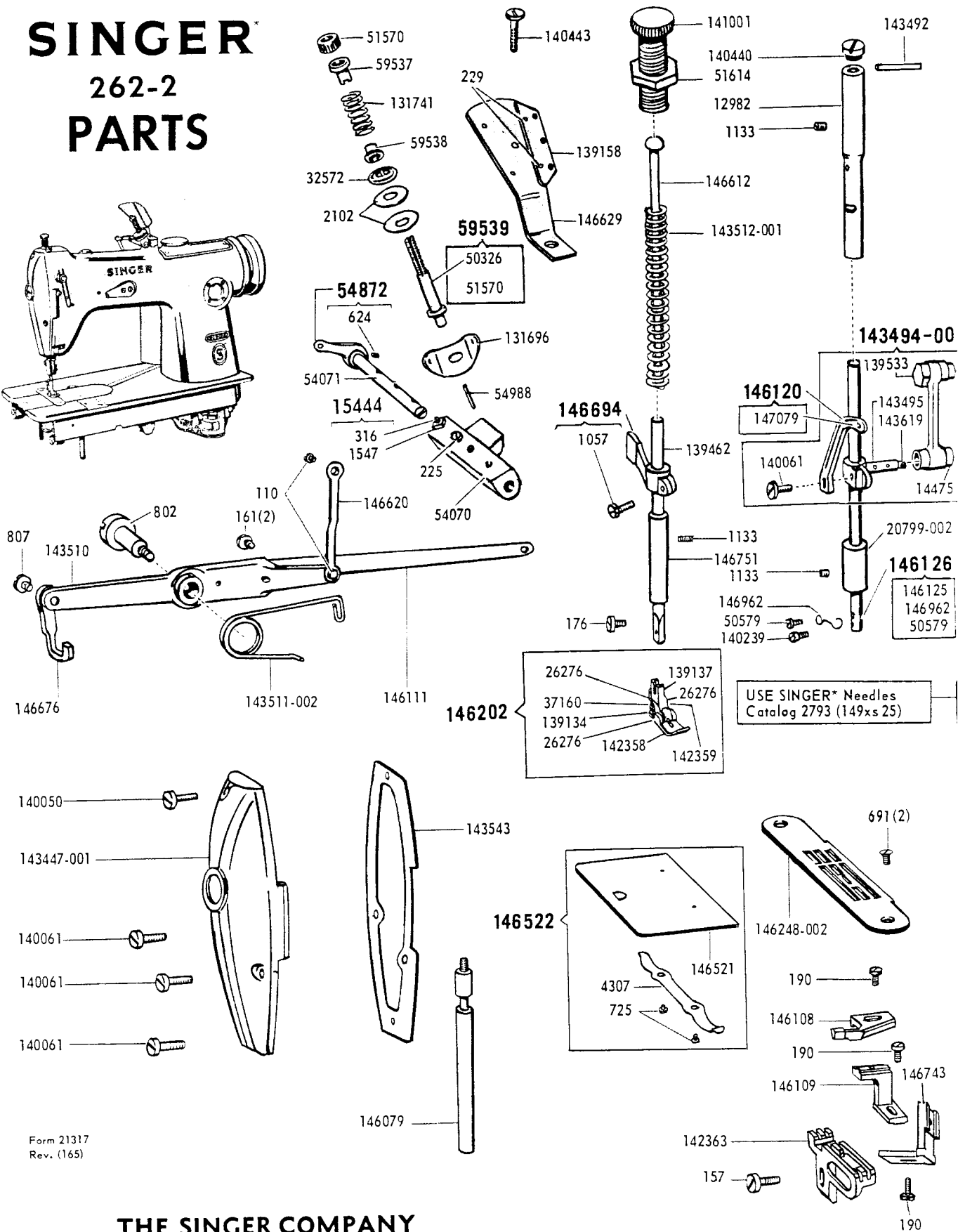
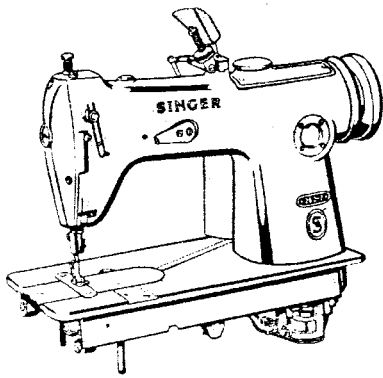


SINGER
262-2

SINGER® 262-2 PARTS



Form 21317
Rev. (165)

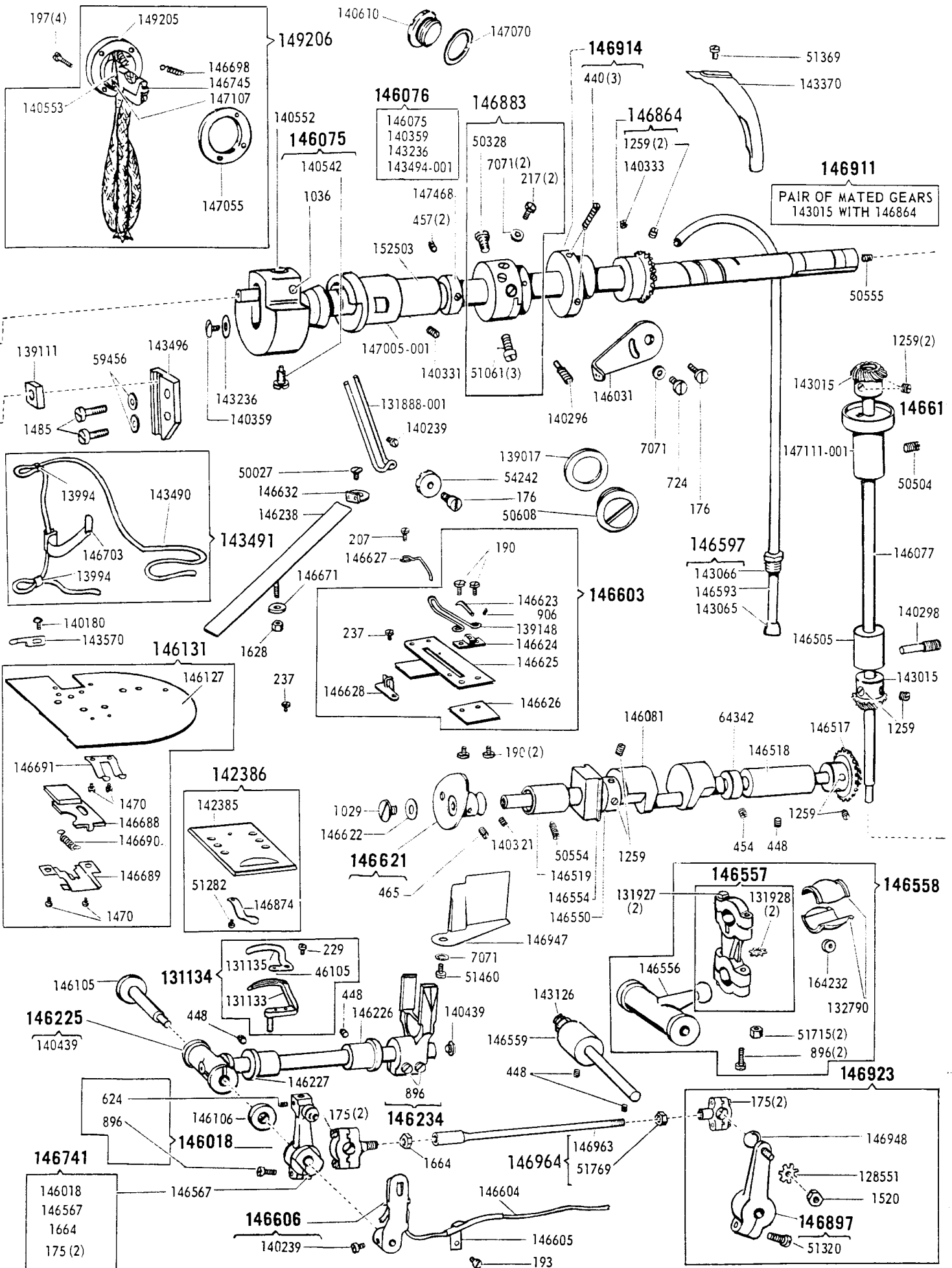
THE SINGER COMPANY

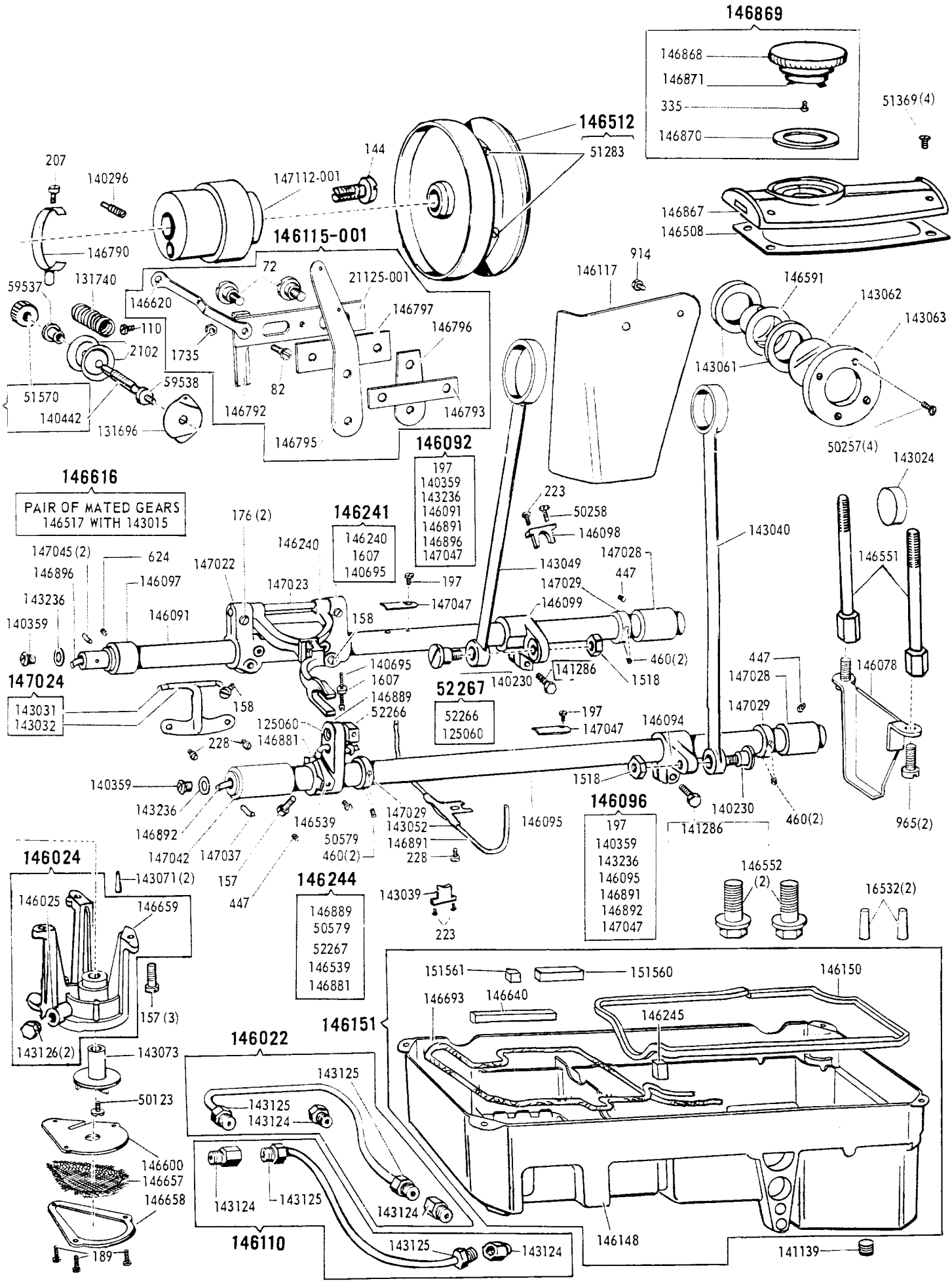
Copyright © 1964 by The Singer Company
Copyright Under International Copyright Union
All Rights Reserved under Inter-American Copyright Union

*A Trademark of THE SINGER COMPANY

Insert in Form 21265(163), Singer Service Manual Class 262

Printed in U. S.

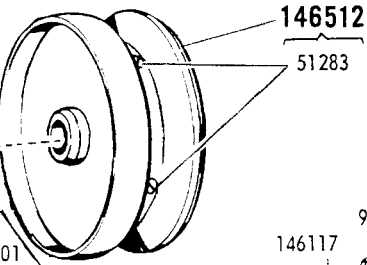
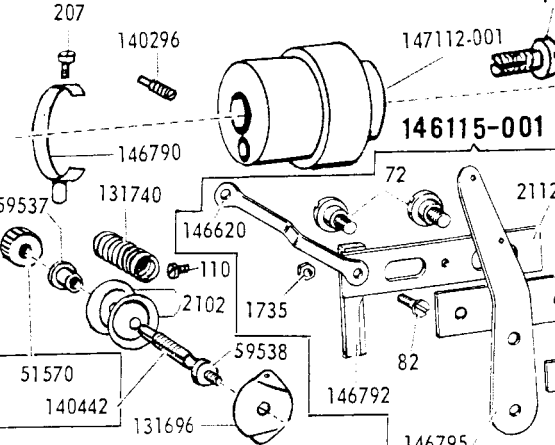
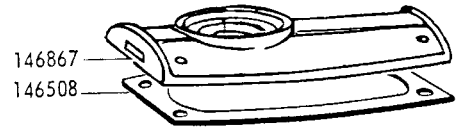




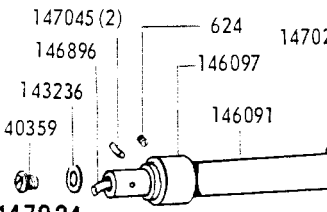
146869

- 146868
- 146871
- 335
- 146870

51369(4)



146616
PAIR OF MATED GEARS
146517 WITH 143015



146092

- 197
- 140359
- 143236
- 146091
- 146891
- 146896
- 147047

146241

- 146240
- 1607
- 140695

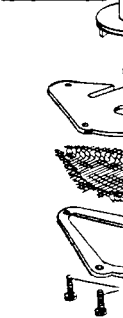
147024

- 143031
- 143032

146024



146022

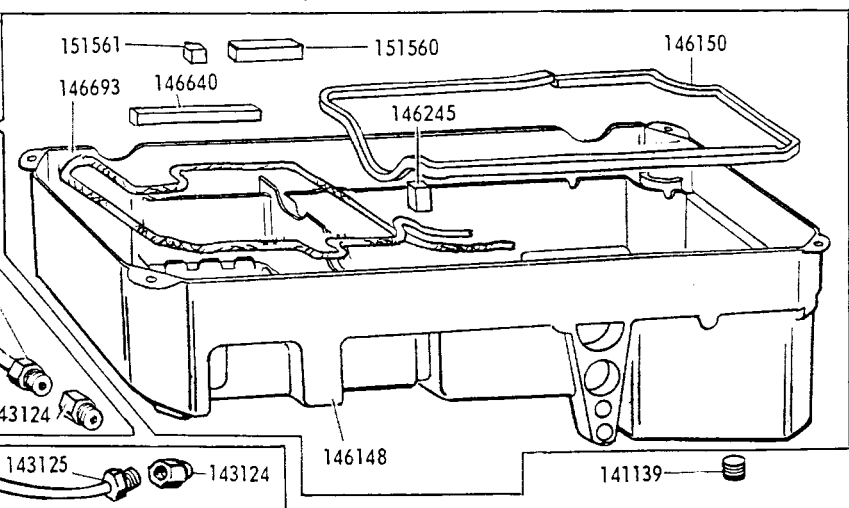


146244

- 146889
- 50579
- 52267
- 146539
- 146881

146096

- 197
- 140359
- 143236
- 146095
- 146891
- 146892
- 147047



LIST OF PARTS 262-2 MACHINE

| PART NO. | DESCRIPTION | PART NO. | DESCRIPTION | PART NO. | DESCRIPTION |
|----------|---|------------|---|-------------|---|
| 72(803) | Tension (looper thread) Releaser Slide Hinge Screw (2) | 896(830) | Looper Holder Clamping Screw | 52267 | Feed Lifting Rock Shaft Slide Block 52266 with 125060 |
| 82(803) | Tension (looper thread) Releaser and Releaser Slide Screw | 906(830) | Thread (looper) Take-up Stripper Set Screw | 54070 | Tension (needle thread) Bracket |
| 110(803) | Tension (looper thread) Releaser Slide Connecting Link Hinge Screw | 914(809) | Tension (looper thread) Thread Guard Screw | 54071 | Tension (needle thread) Releasing Shaft |
| 110(803) | Tension (needle thread) Releasing Shaft Crank Connecting Link Hinge Screw (2) | 965(805) | Bed Leg (back) Screw (2) | 54242 | Slack Thread Controller Clamp |
| 144(804) | Arm Shaft (horizontal) Screw (back) | 1029(809) | Thread (looper) Take-up Screw | 54872 | Tension (needle thread) Releasing Shaft Crank with 624(830) |
| 157(805) | Oil Pump (centrifugal) Body Screw (3) | 1036(830) | Needle Bar Connecting Link Hinge Stud Position Set Screw | 54988 | Tension (needle thread) Releasing Pin |
| 157(809) | Feed Dog Screw | 1057(830) | Presser Bar Guide Bracket Clamping Screw | 59359 | Tension (needle thread) Screw Stud 50326(803) with 51570(803) |
| 157(819) | Feed Lifting Rock Shaft Crank (front) Clamping Screw | 1133(830) | Needle Bar Bushing (lower) Set Screw | 59456 | Needle Bar Connecting Stud Slide Block Guide Screw Washer (2) |
| 158(805) | Feed Bar Carrier Clamping Screw (2) | 1133(830) | Needle Bar Bushing (upper) Set Screw | 59537 | Tension (looper thread) Spring Bushing (large) |
| 161(811) | Presser Bar Lifting Lever Extension Screw (2) | 1133(830) | Presser Bar Bushing (lower) Set Screw | 59537 | Tension (needle thread) Spring Bushing (large) |
| 175(830) | Looper Ball Crank Pitman End Bearing (left) Cap Screw (2) | 1259(830) | Bed Rotary Shaft Bevel Gear Set Screw (2) | 59538 | Tension (looper thread) Spring Bushing (small) |
| 175(830) | Looper Ball Crank Pitman End Bearing (right) Body Cap Screw (2) | 1259(830) | Arm Shaft (upright) Bevel Gear (upper) Set Screw (2) | 59538 | Tension (needle thread) Spring Bushing (small) |
| 176(809) | Slack Thread Controller Clamp Screw | 1259(830) | Arm Shaft (horizontal) Bevel Gear Set Screw (2) | 59539 | Tension (needle thread) Screw Stud 50326(803) with 51570(803) |
| 176(809) | Presser Foot Screw | 1259(830) | Looper Avoiding Eccentric Set Screw (2) | 64342 | Bed Rotary Shaft Collar with 454(830) |
| 176(809) | Thread (needle) Eyelet (side of arm) Position Screw | 1470(819) | Arm shaft (upright) Bevel Gear (lower) Set Screw (2) | 125060 | Feed Bar Slide Block Hinge Stud |
| 176(805) | Feed Bar Carrier Hinge Pin Clamping Screw (2) | 1485(805) | Bed Slide (right) Latch Guide Screw (2) | 126150 | Looper Holder Rock Shaft Bracket Screw Washer (2) |
| 189(805) | Oil Pump (centrifugal) Screen Frame Screw (3) | 1470(819) | Bed Slide (right) Spring Screw (2) | 128551 | Looper Ball Crank Pitman Ball Screw Stud (right) Nut Locking Plate |
| 190(805) | Thread (looper) Take-up Stripper Plate Support Plate Screw (4) | 1485(805) | Needle Bar Connecting Stud Slide Block Guide Screw (2) | 131133 | Looper |
| 190(809) | Thread (looper) Take-up Stripper Staple Screw (2) | 1518(809) | Feed Rock Shaft Connecting Rod Hinge Screw Nut | 131134 | Looper 131133 with 229(809) and 131135 |
| 190(809) | Needle Guard Holder Bracket Screw | 1518(809) | Feed Lifting Rock Shaft Connecting Rod Hinge Screw Nut | 131135 | Looper Needle Guard with 46195 |
| 190(809) | Needle Guard Holder Screw | 1520(809) | Looper Ball Crank Pitman Ball Screw Stud (right) Nut | 131696 | Tension (looper thread) Thread Guide |
| 190(809) | Needle Guard Screw | 1520(809) | Looper Ball Crank Pitman Ball Screw Stud (right) Nut | 131696 | Tension (needle thread) Thread Guide |
| 193(805) | Oil Wick Holder Tube Bracket Screw | 1547(809) | Tension (needle thread) Releasing Shaft Stop Screw Nut | 131740 | Tension (looper thread) Spring |
| 197(811) | Oil Removing Wick (head end) Hinge Plate and Cover Screw (4) | 1607(819) | Feed Dog Stop Screw Nut | 131741 | Tension (needle thread) Spring |
| 197(805) | Feed Lifting Rock Shaft Oil Wick Clamping Plate Screw | 1628(819) | Thread (looper) Thread Tube Screw Stud Nut | 131888-001 | Slack Thread Controller |
| 197(805) | Feed Rock Shaft Oil Wick Clamping Plate Screw | 1664(809) | Looper Ball Crank Pitman End Bearing (left) Nut | 131928 | Looper Ball Crank Connection Cap (upper) Screw Stud Nut Lock Washer (2) |
| 207(805) | Arm Shaft (horizontal) Flanged Bushing (back) Oil Sump Tube Holder Screw | 1735(803) | Looper Ball Crank Pitman End Bearing (left) Nut | 132790 | Looper Ball Crank Connection Ball Sleeve (two pieces) |
| 207(830) | Thread (looper) Take-up Thread Guide (left) Screw | 2102 | Tension (looper thread) Releaser and Releaser Slide Link Nut | 139017 | Arm Hole Plug Screw Washer (for use with 50608) |
| 217(809) | Feed Eccentric Clamping Washer Screw (2) | 2102 | Tension (needle thread) Disc (2) | 139111 | Needle Bar Connecting Stud Slide Block |
| 223(805) | Feed Lifting Rock Shaft Cap Screw (2) | 4307 | Tension Disc (looper thread) (2) | 139134 | Presser Foot Plate (back) (3, 3/2" to 5, 3/2" gauges) |
| 223(805) | Feed Rock Shaft Cap Screw (short) | 7071 | Bed Slide (left) Spring | 139137 | Presser Foot Shank |
| 225(819) | Tension (needle thread) Screw stud Hole Plug | 7071 | Thread (needle) Eyelet (side of arm) Position Screw Washer | 139148 | Thread (looper) Take-up Stripper Staple |
| 228(805) | Feed Lifting Rock Shaft and Feed Rock Shaft Oil Wick Holder Screw | 12982 | Feed Eccentric Clamping Washer (2) | 139158 | Thread (needle) Thread Guide |
| 228(805) | Feed Bar Carrier Oil Wick Holder Screw (2) | 13994 | Looper Ball Crank Pitman Rod Oil Shield Screw Washer | 139462 | Presser Bar |
| 229(809) | Looper Needle Guard Screw | 14475 | Needle Bar Bushing (upper) | 139533 | Needle Bar Connecting Link Screw Cap |
| 229(809) | Thread (needle) Thread Guide Screw (2) | 15444 | Looper Ball Crank Pitman Rod Oil Shield Screw Washer | 140050(809) | Face Plate Screw (upper) |
| 231(805) | Looper Holder Rock Shaft Bracket Oil Plug Screw (back) | 16532 | Needle Bar Bushing (lower) | 140061(809) | Face Plate Screw (lower) (3) |
| 237(809) | Thread (looper) Take-up Thread Guide (right) Screw | 20799-302 | Tension (looper thread) Releaser Slide | 140061(805) | Needle Bar Connecting stud Clamping Screw |
| 237(809) | Thread (looper) Take-up Stripper Plate screw | 21125-J01 | Presser Foot Plate (back) Hinge Pin | 140180(809) | Thread Guide (front of arm) Screw |
| 316(803) | Tension (needle thread) Releasing Shaft Stop Screw | 26276 | Presser Foot Plate (front) Hinge Pin | 140228(830) | Feed Rock Shaft Crank Clamping Screw |
| 335(819) | Arm Top Cover and Stitch Regulator Cap Latch Screw | 26276 | Presser Foot Plate Connection Hinge Pin | 140230(803) | Feed Lifting Rock Shaft Connecting Rod Hinge Screw |
| 440(830) | Feed Lifting Eccentric Set Screw (3) | 26276 | Tension (needle thread) Releasing Disc | 140230(803) | Feed Rock Shaft Connecting Rod Hinge Screw |
| 447(830) | Feed Lifting Rock Shaft Bushing (back) Set Screw | 32572 | Presser Foot Plate Connection Spring | 140239(809) | Needle Set Screw |
| 447(830) | Feed Lifting Rock Shaft Bushing (front) Set Screw | 37160 | Looper Needle Guard Pin | 140239(830) | Slack Thread Controller Position Screw |
| 447(830) | Feed Rock Shaft Bushing (back) Set Screw | 46105 | Thread (looper) Thread Tube Thread Guide Screw | 140296(830) | Oil Wick Position Bracket Screw |
| 448(830) | Looper Holder Rock Shaft Bushing (front) Set Screw | 50123(805) | Oil Pump (centrifugal) Impeller Locking Screw | 140296(830) | Arm Shaft (horizontal) Flanged Bushing (back) Set Screw |
| 448(830) | Looper Holder Rock Shaft Bushing (back) Set Screw | 50257(809) | Oil Flow Window Cap Screw (4) | 140296(830) | Arm Shaft (horizontal) Bushing (center) Set Screw |
| 448(830) | Looper Ball Crank Hinge Pin Set Screw (2) | 50258(805) | Feed Rock Shaft Cap Screw (long) | 140298(830) | Arm Shaft (upright) Bushing (lower) Set Screw |
| 448(830) | Bed Rotary Shaft Bushing (back) Set Screw | 50326(803) | Tension (needle thread) screw Stud | 140321(830) | Bed Rotary Shaft Oil Plug Screw |
| 454(830) | Bed Rotary Shaft Collar Set Screw | 50328(803) | Feed Regulating Screw | 140331(830) | Arm Shaft (horizontal) Flanged Bushing (front) Set Screw |
| 457(830) | Arm Shaft (horizontal) Thrust Collar Set Screw (2) | 50504(830) | Arm Shaft (upright) Bushing (upper) Set Screw | 140333(830) | Arm Shaft (horizontal) Bevel Gear Position Screw |
| 460(830) | Feed Rock Shaft Collar Set Screw (2) | 50554(830) | Bed Rotary Shaft Bushing (front) Set Screw | 140359(805) | Arm Shaft (horizontal) Screw Plug (front) |
| 460(830) | Feed Lifting Rock Shaft Collar Set Screw (4) | 50555(805) | Arm Shaft (horizontal) Plug Screw | 140359(805) | Feed Rock Shaft Oil Plug Screw |
| 465(830) | Thread (looper) Take-up Set Screw | 50579(809) | Feed Bar Slide Block Oil Wick Holder Screw | 140359(805) | Feed Lifting Rock Shaft Oil Plug Screw |
| 624(830) | Tension (needle thread) Releasing Shaft Crank Set Screw | 50579(819) | Needle Bar Thread Guide Screw | 140439(805) | Looper Holder Rock shaft Oil Plug Screw |
| 624(830) | Looper Set Screw | 50608(813) | Arm Hole Plug Screw (for access to Needle Bar Bushing Oil Wick) | 140440(819) | Needle Bar Bushing (upper) Oil Plug Screw |
| 624(830) | Feed Rock Shaft Bushing (front) Set Screw | 51061(830) | Feed Eccentric Body Set Screw (3) | 140442(803) | Tension (looper thread) Screw Stud |
| 691(806) | Throat Plate Screw (2) | 51282(819) | Attachment Slide Spring Screw | 140443(809) | Tension (needle thread) Bracket Screw |
| 724(809) | Thread (needle) Eyelet (side of arm) Screw | 51283(830) | Machine Pulley Set Screw (2) | 140542(830) | Needle Bar Crank Position Screw |
| 725(819) | Bed Slide (left) Spring Screw (2) | 51320(830) | Looper Ball Crank Arm Clamping Screw | 140552(830) | Needle Bar Connecting Link Hinge Stud Clamping Screw |
| 802(819) | Presser Bar Lifting Lever Hinge Screw | 51369(813) | Arm Top Cover Screw (4) | 140553(805) | Oil Removing Wick (head end) Holder Body Hinge Screw |
| 807(819) | Presser Bar Guide Bracket Lifter Hinge Screw | 51369(805) | Oil Lead Screw | 140610 | Arm Hole Plug Screw |
| 896(830) | Looper Ball Crank Connection Cap (lower) screw (2) | 51460(805) | Looper Ball Crank Pitman Rod Oil Shield Screw | 140640(805) | Looper Holder Rock Shaft Bracket Oil Plug screw(front) |
| 896(830) | Looper Avoiding Eccentric Connection Clamping Screw (2) | 51570(803) | Tension (needle thread) Regulating Thumb Nut | 140695(819) | Feed Dog Stop Screw |
| | | 51570(803) | Tension (looper thread) Regulating Thumb Nut | 140734(805) | Looper Holder Rock Shaft Bracket Screw (2) |
| | | 51614(818) | Pressure Regulating Thumb Screw Nut | 141001(818) | Pressure Regulating Thumb Screw |
| | | 51715(830) | Looper Ball Crank Connection Cap (upper) Screw Stud Nut (2) | 141139(869) | Machine Base and Oil Reservoir Drain Plug |
| | | 51769(803) | Looper Ball Crank Pitman Rod Nut | 141286(805) | Feed Lifting Rock Shaft Crank (back) Clamping Screw |
| | | 52266 | Feed Bar Slide Block | | |

| PART NO. | DESCRIPTION | PART NO. | DESCRIPTION | PART NO. | DESCRIPTION | |
|-------------|--|---|--|----------------------------------|--|----------------------------------|
| 142358 | Presser Foot Plate (front) | 146115-001 | Tension (looper thread) Releaser, Nos. 82(803), 1735(803), 21125-001, 146620, 146792, 146793, 146795, 146796, 146797 and two 72(803) | 146626 | Thread (looper) Take-up Stripper Plate Support Plate (2) NOTE: One No. 146626 screwed onto Machine Bed. | |
| 142359 | Presser Foot Plate Connection | 146117 | Tension (looper thread) Thread Guard | 146627 | Thread (looper) Take-up Thread Guide (left) | |
| 142363 | Feed Dog, for use with 120202 and 146248-001 or 146248-002 | 146120 | Thread (needle) Take-up with 147079 | 146628 | Thread (looper) Take-up Thread Guide (right) | |
| 142385 | Attachment Slide | 146125 | Needle Bar (hollow) with 140239(830) | 146629 | Thread (needle) Thread Guide Bracket | |
| 142386 | Attachment Slide complete, Nos. 51282(819), 142385 and 146874 | 146126 | Needle Bar complete, Nos. 50579(819), 146125 and 146962 | 146632 | Thread (looper) Thread Tube Thread Guide | |
| 143015 | Arm Shaft (upright) Bevel Gear (upper) left hand Spiral with two 1259(830) | 146127 | Bed Slide (right) Body | 146640 | Machine Pad (felt) | |
| 143015 | Arm Shaft (upright) Bevel Gear (lower) left hand Spiral with two 1259(830) | 146131 | Bed Slide (right) complete, Nos. 146127, 146688, 146689, 146690, 146691 and four 1470(819) | 146657 | Oil Pump (centrifugal) Screen | |
| 143024 | Bed Hole Plug | 146148 | Machine Base and Oil Reservoir with 141139(869) | 146658 | Oil Pump (centrifugal) Screen Frame | |
| 143031 | Feed Bar Carrier Oil Wick (felt) (For oiling Feed Bar Connecting Link) | 146150 | Machine Base and Oil Reservoir Gasket | 146659 | Oil Pump (centrifugal) Body | |
| 143032 | Feed Bar Carrier Oil Wick Holder | 146151 | Machine Base and Oil Reservoir | 146671 | Thread (looper) Thread Tube Screw Stud Nut Washer | |
| 143039 | Feed Lifting Rock Shaft Cap | 146148 with 146150, 146245, 146640, 146693, 151560 and 151561 (Agents only) | 146150 | Presser Bar Guide Bracket Lifter | 146676 | Presser Bar Guide Bracket Lifter |
| 143040 | Feed Lifting Rock Shaft Connecting Rod | 146202 | Presser Foot (triple hinged) complete, Nos. 37100, 139134 (3 32" to 5 32" gauges), 139137, 142358, 142359 and three 2027s for use with 142363 and 146248-001 or 146248-002 NOTE: No. 146202 is furnished as regular to the machine. | 146688 | Bed Slide (right) Latch | |
| 143049 | Feed Rock Shaft Connecting Rod | 146225 | Looper Holder Rock Shaft with 140439(805) | 146689 | Bed Slide (right) Latch Guide | |
| 143052 | Feed Lifting Rock Shaft and Feed Rock Shaft Oil Wick Holder | 146226 | Looper Holder Rock Shaft Bushing (back) | 146690 | Bed Slide (right) Latch Spring | |
| 143061 | Oil Flow Body Gasket (2) | 146227 | Looper Holder Rock Shaft Bushing (front) | 146691 | Bed Slide (right) Spring | |
| 143062 | Oil Flow Window | 146234 | Looper Avoiding Eccentric Connection (forked) with two 89(830) | 146693 | Machine Base and Oil Reservoir Oil Return Wick | |
| 143063 | Oil Flow Window Cap | 146238 | Thread (looper) Thread Tube | 146694 | Presser Bar Guide Bracket with 1057(830) | |
| 143065 | Oil Pipe Clamping Sleeve | 146240 | Feed Bar | 146698 | Oil Removing Wick (head end) Holder Body Spring | |
| 143066 | Oil Pipe Clamping Sleeve Nut | 146241 | Feed Bar 146240 with 1607(819) and 146695(819) | 146703 | Needle Bar Bushing (lower and upper) Oil Wick Clamp and Retainer | |
| 143071 | Oil Pump (centrifugal) Body Position Pin (2) | 146244 | Feed Lifting Rock Shaft Crank (front) 146889 with 50597(809), 52267, 146539 and 146581 | 146730 | Looper Ball Crank Pitman End Bearing (left) and two 175(830) (for Agents only) | |
| 143073 | Oil Pump (centrifugal) Impeller | 146245 | Machine Base and Oil Reservoir Oil Return Wick Position Pad (felt) | 146741 | Looper Holder 146018 with 1604(809), 146567 and two 175(830) | |
| 143124 | Oil Pipe Clamping Sleeve (4) | 146247 | Throat Plate for use with 142357 and 146202 | 146743 | Needle Guard Holder Bracket | |
| 143125 | Oil Pipe Clamping Sleeve Nut (4) | 146248-002 | Throat Plate for use with 146202 | 146745 | Oil Removing Wick (head end) Holder Body | |
| 143126 | Looper Holder Rock Shaft Bracket | 146505 | Arm Shaft (upright) Bushing (lower) | 146751 | Presser Bar Bushing (lower) | |
| 143126 | Oil Pipe Clamping Sleeve Adaptor | 146508 | Arm Top Cover Gasket | 146790 | Arm Shaft (horizontal) Flanged Bushing (back) Oil Sump Tube | |
| 143126 | Oil Pipe Clamping Sleeve Adaptor for 146024 (2) | 146512 | Machine Pulley with two 51283(830) | 146792 | Tension (looper thread) Releaser | |
| 143126 | Oil Pipe Clamping Sleeve Adaptor (fastened to Looper Ball Crank Hinge Pin) | 146517 | Bed Rotary Shaft Bevel Gear, right hand spiral with two 1259(830) | 146793 | Tension (looper thread) Releaser Fastening Plate | |
| 143236 | Feed Rock Shaft Oil Plug Screw Washer (fiber) | 146519 | Bed Rotary Shaft Bushing (back) | 146795 | Tension (looper thread) Uncurler | |
| 143236 | Feed Lifting Rock Shaft Oil Plug Screw Washer (fiber) | 146521 | Bed Rotary Shaft Bushing (front) | 146796 | Tension (looper thread) Uncurler Plate (back) | |
| 143236 | Arm Shaft (horizontal) Screw Plug, (front) Washer (fiber) | 146522 | Bed Slide (left) | 146797 | Thread (looper) Uncurler (front) | |
| 143372 | Oil Lead | 146539 | Bed Slide (left) complete, Nos. 4307, 146521 and two 725(819) | 146864 | Arm Shaft (horizontal) Bevel Gear, with 140333(830) and two 1259(830) | |
| 143447-001 | Face Plate | 146550 | Feed Bar Slide Block Oil Wick Holder | 146867 | Arm Top Cover | |
| 143490 | Needle Bar Bushing (lower and upper) Oil Wick | 146551 | Looper Avoiding Eccentric with two 1259(830) | 146868 | Arm Top Cover and Stitch Regulator Cap | |
| 143491 | Needle Bar Bushing (lower and upper) Oil Wick complete, Nos. 143490, 146703 and two 13994 | 146552 | Arm Screw Stud (back) (2) | 146869 | Arm Top Cover and Stitch Regulator Cap complete, Nos. 335(819), 146868, 146870 and 146871 | |
| 143492 | Needle Bar Bushing (lower and upper) Oil Wick Guide Tube (inside face of arm) | 146553 | Arm Screw (front) (2) | 146870 | Arm Top Cover and Stitch Regulator Cap Gasket | |
| 143494-001 | Needle Bar Connecting Link with 129533 and 143495 | 146554 | Looper Avoiding Eccentric Slide Block | 146871 | Arm Top Cover and Stitch Regulator Cap Latch | |
| 143495 | Needle Bar Connecting Stud with 140061(805) and 146517 | 146556 | Looper Ball Crank | 146874 | Attachment Slide Spring | |
| 143496 | Needle Bar Connecting Stud Slide Block Guide | 146557 | Looper Ball Crank Connection with two 131428 (Agents only) | 146881 | Feed Bar Slide Block Oil Wick | |
| 143510 | Presser Bar Lifting Lever | 146558 | Looper Ball Crank Connection with 132796, 146555, 164232 and two 131925 (for Agents only) | 146883 | Feed Eccentric (adjustable) complete, Nos. 50328(803), two each 217(809), 7071 and three 51061(830) | |
| 143511-002 | Presser Bar Lifting Lever Spring | 146559 | Looper Ball Crank Hinge Pin | 146889 | Feed Lifting Rock Shaft Crank (front) with 137(819) | |
| 143512-001 | Presser Bar Spring | 146567 | Looper Holder Bushing (eccentric) | 146891 | Feed Rock Shaft Oil Wick | |
| 143543 | Face Plate Gasket | 146591 | Oil Flow Body | 146891 | Feed Lifting Rock Shaft Oil Wick | |
| 143570 | Thread Guide (front of arm) | 146593 | Oil Pipe | 146892 | Feed Lifting Rock Shaft Oil Wick (long) | |
| 143619 | Needle Bar Connecting Stud Oil Wick (felt) | 146597 | Oil Pipe complete from Oil Pump to Arm Shaft (horizontal) Center Bearing 146593 with 143055 and 143086 (Agents only) | 146896 | Looper Ball Crank Arm with 51320(830) | |
| 144443(804) | Tension (needle thread) Bracket Screw | 146600 | Oil Pump (centrifugal) Cover | 146911 | Pair of Mated Gears for Upper Shaft, Nos. 143015 and 146864 (for Agents only) | |
| 146013 | Looper Holder with 924(830) and 896(830) | 146603 | Thread (looper) Take-up Stripper Plate 146625 with 237(804), 13-148, 146623, 146624, 146626, 146628 and two 190(809) | 146914 | Feed Lifting Eccentric with three 440(830) | |
| 146022 | Oil Pipe with two each 143124 and 143125 for oiling Looper Rock Shaft Hinge Pin | 146604 | Oil Wick for oiling Looper Ball Crank Pitman End Bearing (left) | 146919 | Looper Ball Crank Pitman Head (right) 146948 with two 175(830) (for Agents only) | |
| 146024 | Oil Pump (centrifugal) Body 146659 with 146025 and two 143126 | 146605 | Oil Wick Holder | 146923 | Looper Ball Crank Arm 146897 with 1320(809), 123551 and 146919 | |
| 146025 | Oil Pump (centrifugal) Body Plug | 146606 | Oil Wick Position Bracket with 140239(830) | 146947 | Looper Ball Crank Pitman Rod Oil Shield | |
| 146031 | Thread (needle) Eyelet (side of arm) | 146612 | Presser Bar Spring Guide Pin | 146948 | Looper Ball Crank Pitman Ball Screw Stud (right) | |
| 146075 | Arm shaft (horizontal) with 1330(830) and 140542(830) | 146616 | Pair of Mated Gears for lower Shaft (Nos. 143015 and 146517) (for Agents only) | 146962 | Needle Bar Thread Guide | |
| 146077 | Arm shaft (upright) | 146618 | Tension (looper thread) Screw Stud 140442(809) with 31570(302) | 146963 | Looper Ball Crank Pitman Rod | |
| 146078 | Bed Leg (back) | 146620 | Tension (looper thread) Releaser | 146964 | Looper Ball Crank Pitman Rod 146963 with 51769(803) | |
| 146079 | Bed Leg (front, long) | 146622 | Slide Connecting Link | 147005-001 | Arm Shaft (horizontal) Flanged Bushing (front) | |
| 146081 | Bed Rotary Shaft | 146623 | Tension (needle thread) Releasing Shaft Crank Connecting Link | 147022 | Feed Bar Carrier with two each 158(805) and 176(805) | |
| 146091 | Feed Rock Shaft | 146624 | Thread (looper) Take-up with 455(430) | 147023 | Feed Bar Carrier Hinge Pin | |
| 146092 | Feed Rock Shaft, Nos. 197(805), 140359(805), 143236, 146091, 146891, 146896, 147047 and length of 122" Wicking | 146625 | Thread (looper) Take-up Stripper Washer (fiber) | 147024 | Feed Bar Carrier Oil Wick Holder 143032 with 143031 | |
| 146094 | Feed Lifting Rock Shaft Crank with 140228(830) | 146626 | Thread (looper) Take-up Stripper Washer (fiber) | 147028 | Feed Rock Shaft Bushing (back) | |
| 146095 | Feed Lifting Rock Shaft | 146627 | Thread (looper) Take-up Stripper Washer (fiber) | 147028 | Feed Lifting Rock Shaft Bushing (back) | |
| 146096 | Feed Lifting Rock Shaft, Nos. 197(805), 140359(805), 143236, 146095, 146891, 146892, 147047 and length of 122" Wicking | 146628 | Thread (looper) Take-up Stripper Washer (fiber) | 147029 | Feed Rock Shaft Collar with two 460(830) | |
| 146097 | Feed Rock Shaft Bushing (front) | 146629 | Thread (looper) Take-up Stripper Washer (fiber) | 147029 | Feed Lifting Rock Shaft Collar with two 460(830) (2) | |
| 146098 | Feed Rock Shaft Cap | 146633 | Thread (looper) Take-up Stripper Washer (fiber) | 147037 | Feed Lifting Rock Shaft Oil Wick (short) (2) (for Agents) | |
| 146099 | Feed Rock Shaft Crank with 140228(830) | 146634 | Thread (looper) Take-up Stripper Washer (fiber) | | | |
| 146103 | Looper Holder Hinge Pin | 146635 | Thread (looper) Take-up Stripper Washer (fiber) | | | |
| 146106 | Looper Holder Hinge Pin Spacer | 146636 | Thread (looper) Take-up Stripper Washer (fiber) | | | |
| 146108 | Needle Guard | 146637 | Thread (looper) Take-up Stripper Washer (fiber) | | | |
| 146109 | Needle Guard Holder | 146638 | Thread (looper) Take-up Stripper Washer (fiber) | | | |
| 146110 | Oil Pipe with two each 143124 and 143125 | 146639 | Thread (looper) Take-up Stripper Washer (fiber) | | | |
| 146111 | Presser Bar Lifting Lever Extension | 146640 | Thread (looper) Take-up Stripper Washer (fiber) | | | |

| PART NO. | DESCRIPTION |
|------------|--|
| 147042 | Feed Lifting Rock Shaft Bushing (front) |
| 147045 | Feed Rock Shaft Oil Wick (short) (2) For Agents |
| 147047 | Feed Lifting Rock Shaft Oil Wick Clamping Plate |
| 147047 | Feed Rock Shaft Oil Wick Clamping Plate |
| 147055 | Oil Removing Wick (head end) Hinge Plate and Cover Gasket |
| 147070 | Arm Hole Plug Screw Washer (for use with 140610) |
| 147079 | Thread (needle) Take-up Thread Eyelet Bushing |
| 147107 | Oil Removing Wick (head end) |
| 147109 | Looper Holder Rock Shaft Bracket |
| | Oil Plug Screw (front) Washer (fiber) |
| 147111-001 | Arm Shaft (upright) Bushing (upper) |
| 147112-001 | Arm Shaft (horizontal) Flanged Bushing (back) |
| 147468 | Arm Shaft (horizontal) Thrust Collar with two 457(830) |
| 149205 | Oil Removing Wick (head end) Hinge Plate and Cover |
| 149206 | Oil Removing Wick (head end) Holder Body complete, Nos. 140553(805), 146698, 146745, 147055, 147107 and 149205 |
| 151560 | Machine Pad (felt, left back) |
| 151561 | Machine Pad (felt, left front) |
| 152503 | Arm Shaft (horizontal) Bushing (center) |
| 164232 | Looper Ball Crank Connection Ball Sleeve Guide |

ACCESSORIES

| PART NO. | DESCRIPTION |
|--|-------------------------------------|
| 12361 | Machine Hinge Connection (2) |
| 151159 | Machine Rest Pad (rubber) |
| 232333(805) | Machine Rest Pad Nail |
| 41564 | Machine Rest Pin |
| 120344 | Oiler (with spout) |
| 121741 | Quart Can (light grade) Oil |
| 120341 | Tweezers (curved) |
| KNEE LIFTER PARTS | |
| 146168 | Chain, length 13-1/2 in. with hooks |
| 12501 | Chain Pulley |
| 141054(850) | Chain Pulley Hinge Screw Stud |
| 1608(850) | Chain Pulley Hinge Screw Stud Nut |
| 146169 | Rock Shaft |
| 146171 | Rock Shaft Crank Gollar |
| 143283 | Rock Shaft Knee Arm |
| 147489 | Rock Shaft Knee Arm Hub |
| 2767 | Rock Shaft Knee Arm Plate |
| 146236 | Rock Shaft Lifting Lever |
| 146768 | Rock Shaft Spring |
| 1115(819) | Rock Shaft Spring Screw |
| 147483 | Rock Shaft Stop Dog (2) |
| FOOT LIFTER | |
| (Furnished on request in place of Knee Lifter Parts) | |
| 150452 | Foot Lifter Treadle, complete |