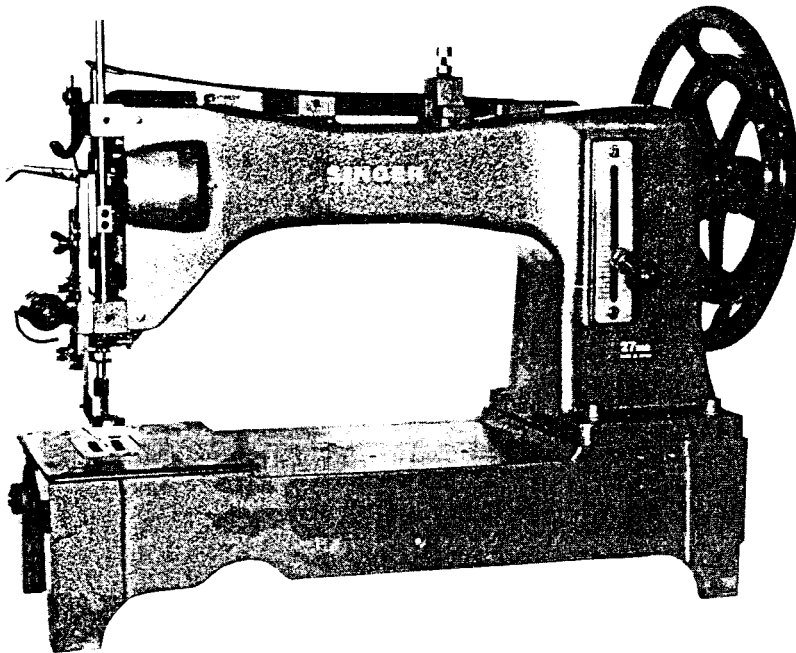


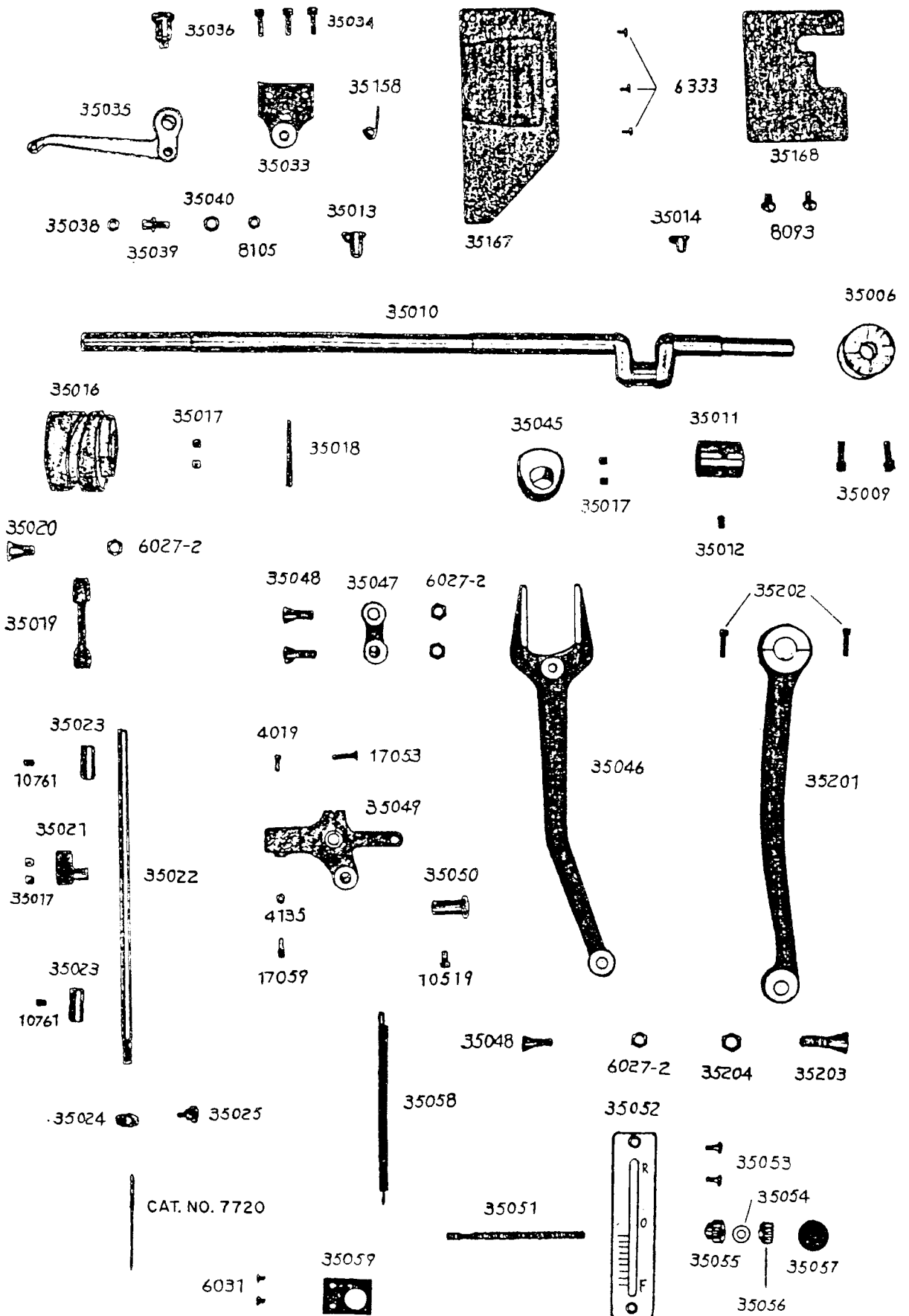
**SINGER**  
**27B2B**

# SINGER

## PARTS LIST MODEL 27B2B

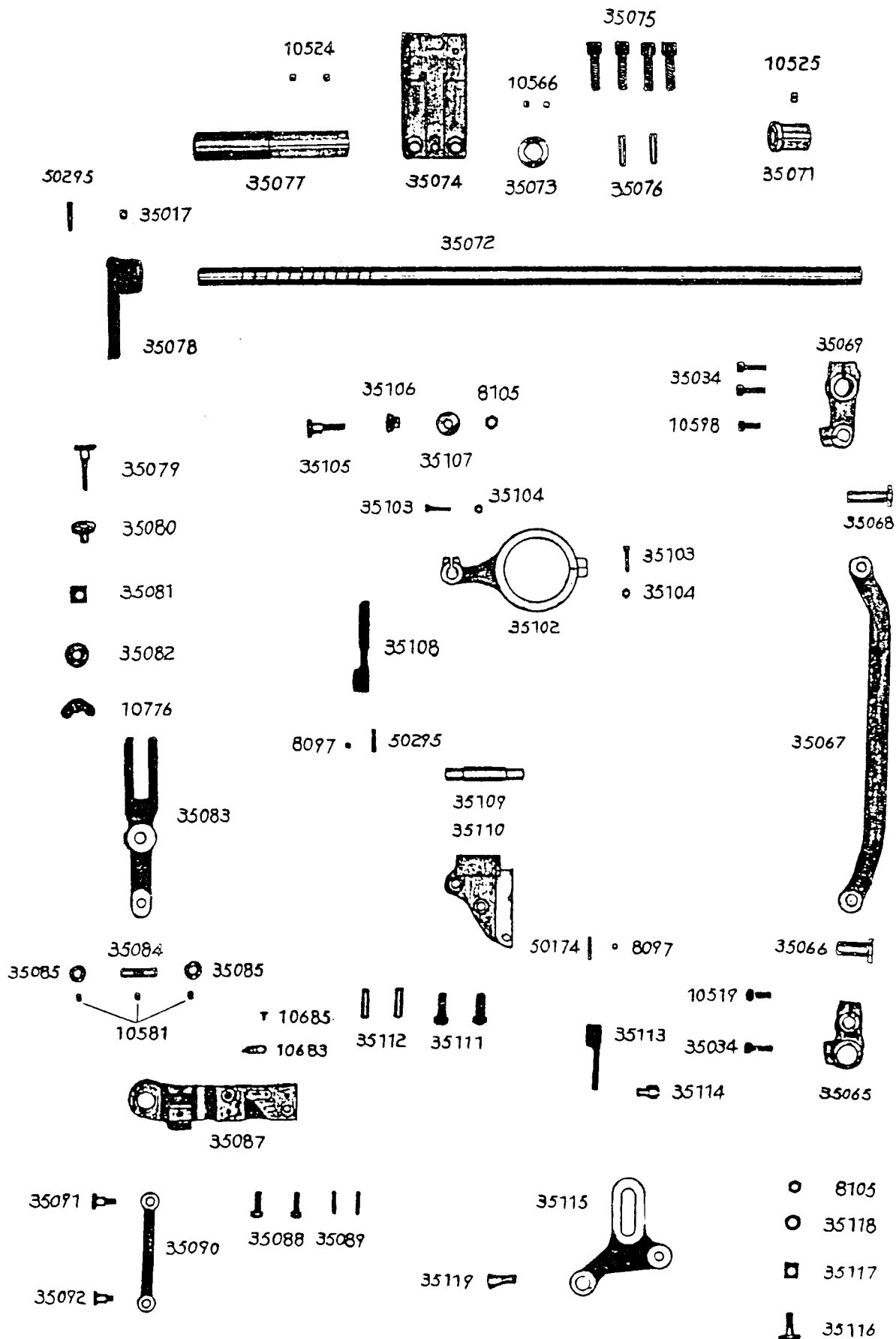


1. RELATIVE PARTS FOR ARM SHAFT, TAKE UP LEVER, NEEDLE BAR & FEEDING MECHANISM



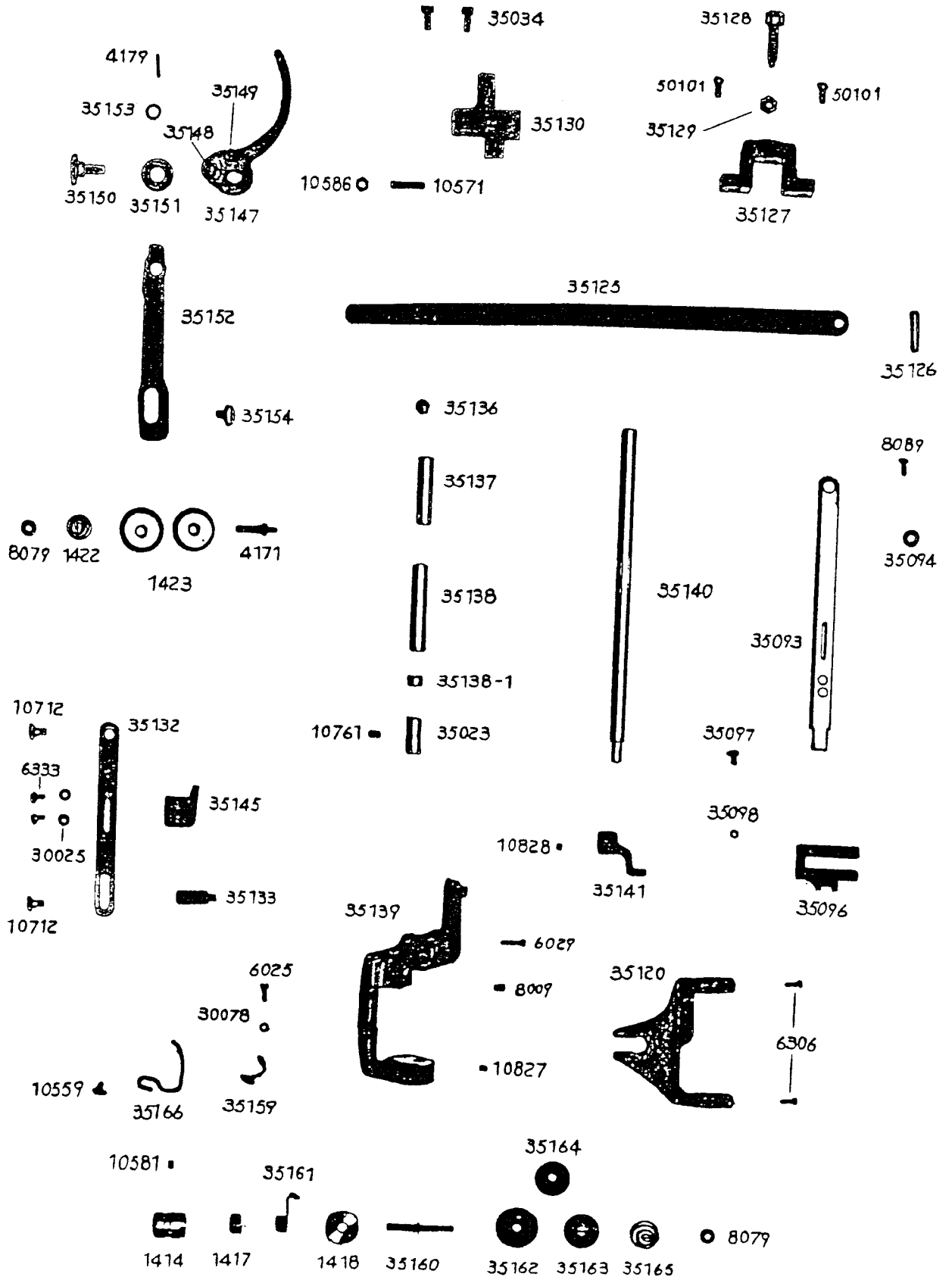
NOTE! WHEN ORDERING PARTS, PREFIX ALL NUMBERS WITH CS, EXAMPLE CS -

2. RELATIVE PARTS FOR UPPER FEEDING MECHANISM



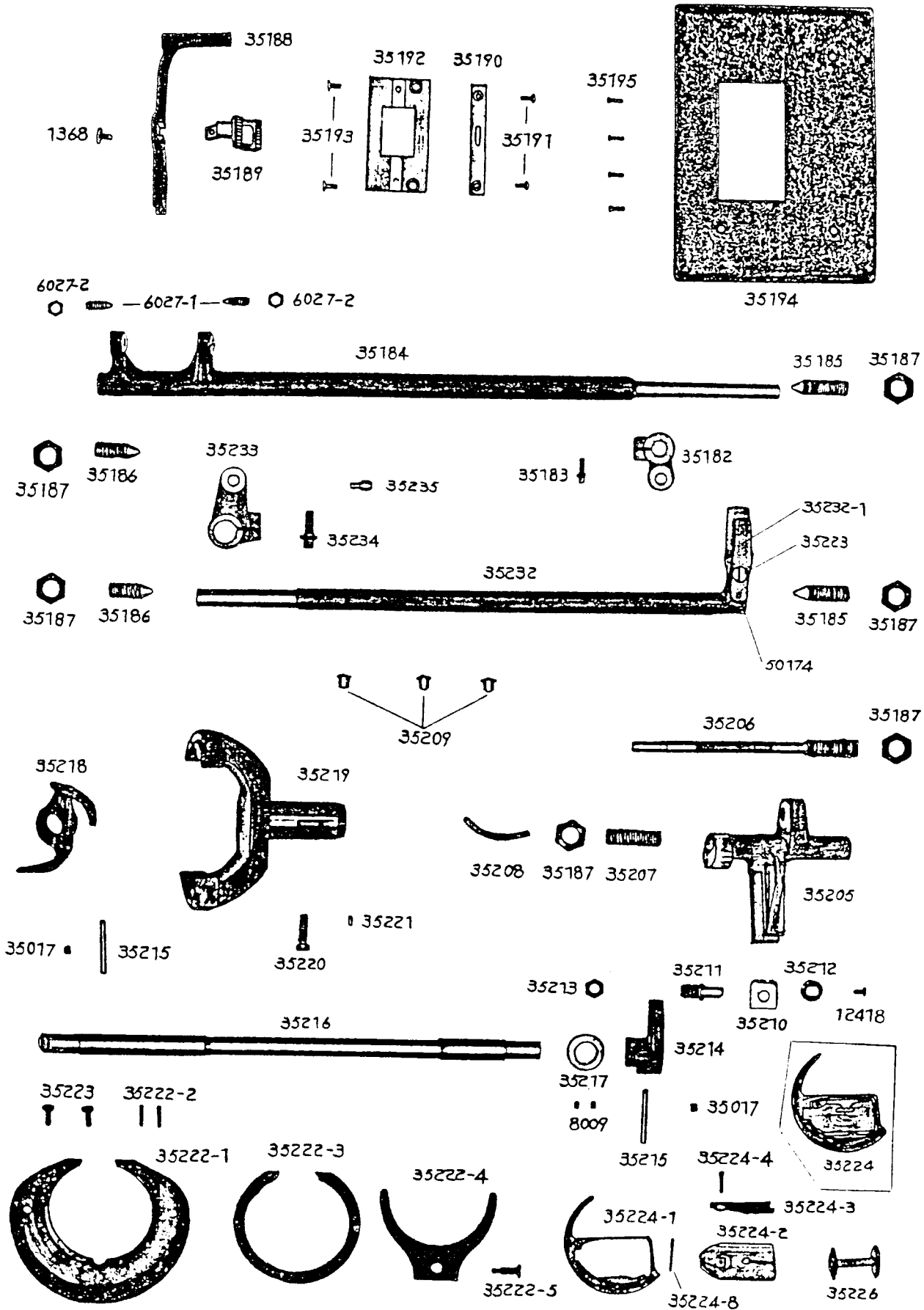
NOTE! WHEN ORDERING PARTS, PREFIX ALL NUMBERS WITH CS, EXAMPLE CS -

3. RELATIVE PARTS FOR PRESSER & THREAD TENSION



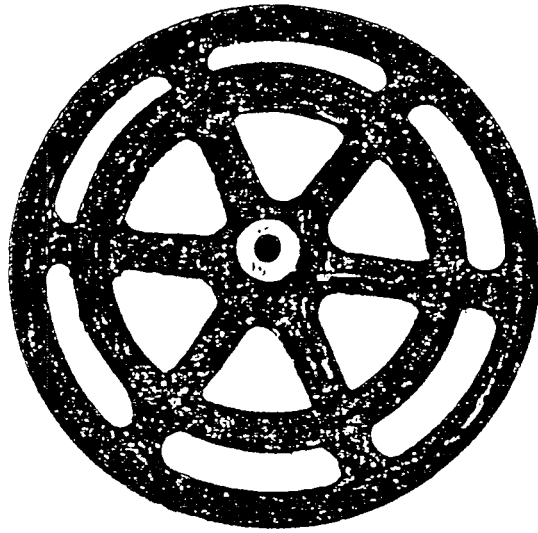
NOTE! WHEN ORDERING PARTS, PREFIX ALL NUMBERS WITH CS, EXAMPLE CS -

4. RELATIVE PARTS FOR LOWER FEEDING, NEEDLE PLATE & HOOK



NOTE! WHEN ORDERING PARTS, PREFIX ALL NUMBERS WITH CS, EXAMPLE CS -

5. BALANCE WHEEL, BELT GUARD, OIL BOX & PRESSER LIFTER LIFTING LEVER



10699

35157-2



35157-7

35157-8

35223

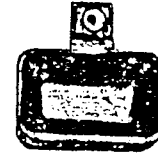


35157-3

8100



35157-9



35157-1

35157-7

8100



35157-4

8100

35008

11154



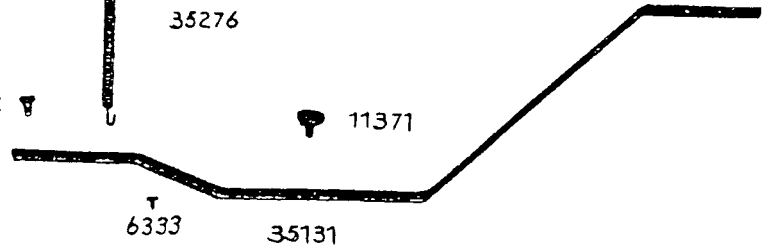
35009

10712



35276

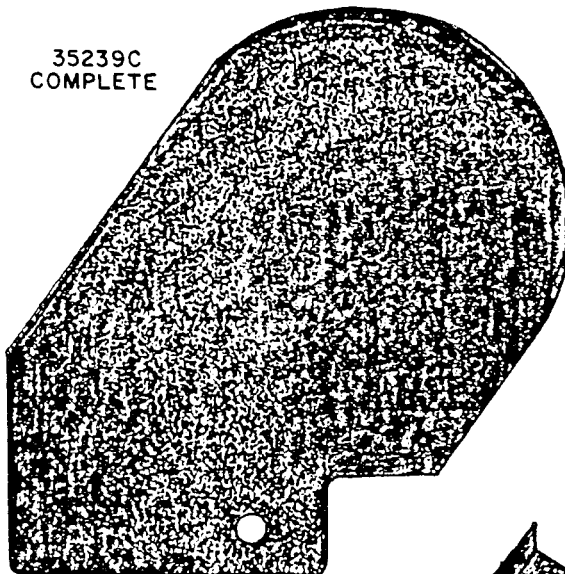
11371



6333

35131

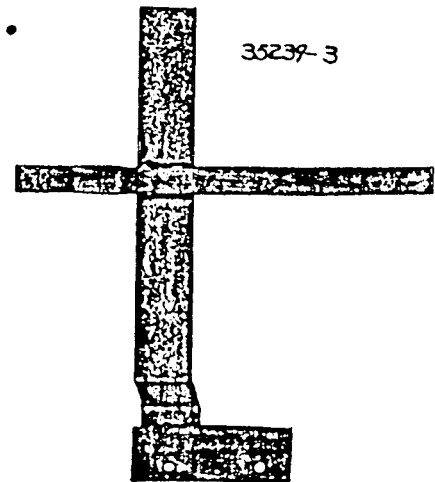
35239C  
COMPLETE



6339



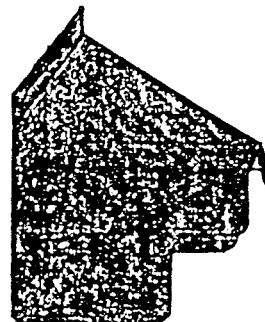
35239-3



13005



35239-2



10519

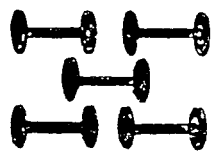
13005

NOTE! WHEN ORDERING PARTS, PREFIX ALL NUMBERS WITH CS, EXAMPLE CS -

6. ACCESSORIES



8132



35226



15571



1870



CAT. NO.  
7720



35225



8123



8118



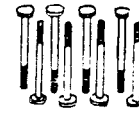
8120



0040

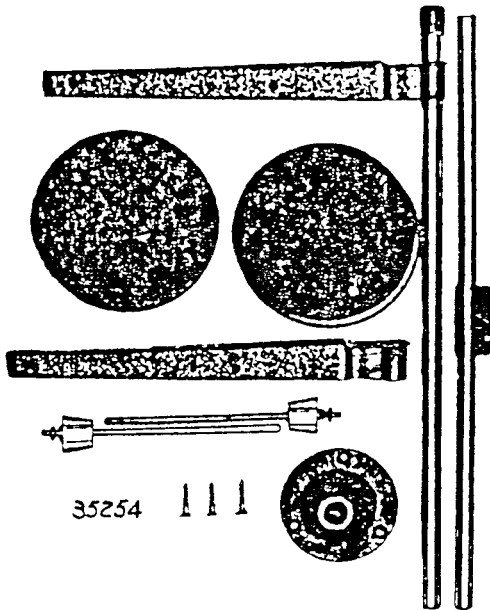
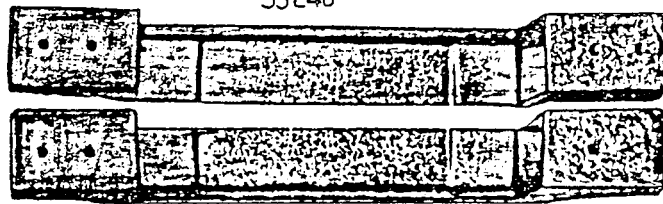


0058

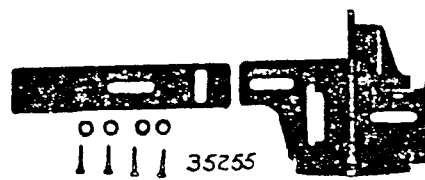


35241

35240



35254



35255

35277



11376



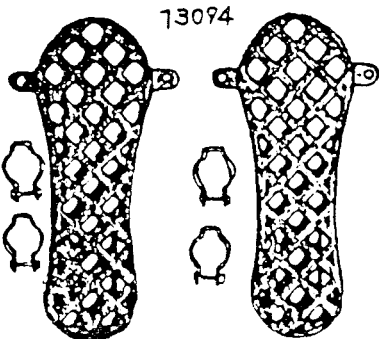
11378



11379



11377



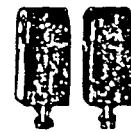
13094



35278



35279



35280



NOTE! WHEN ORDERING PARTS, PREFIX ALL NUMBERS WITH CS, EXAMPLE CS -