

Singer 31-15

Singer 31-20

Form 8930, Revised

(442)

Printed in U. S. A.

**LIST
OF
PARTS**



SINGER
MACHINES
Nos. 31-15 and 31-20**

THE SINGER MANUFACTURING COMPANY

**A Trade Mark of THE SINGER MANUFACTURING COMPANY

INSTRUCTIONS FOR OILING

To ensure easy running and prevent unnecessary wear of the parts which are in movable contact, the machine requires oiling and when in continuous use, "TYPE B" or "TYPE D" OIL, sold by Singer Sewing Machine Company, should be applied at least twice each day to all oil holes marked "OIL", as instructed in Form 7829 for 31-20 machine and Form 8268 for 31-15 machine.

"TYPE D" OIL should be used when an oil is desired which will produce a minimum of stain on fabrics, even after a long period of storage.

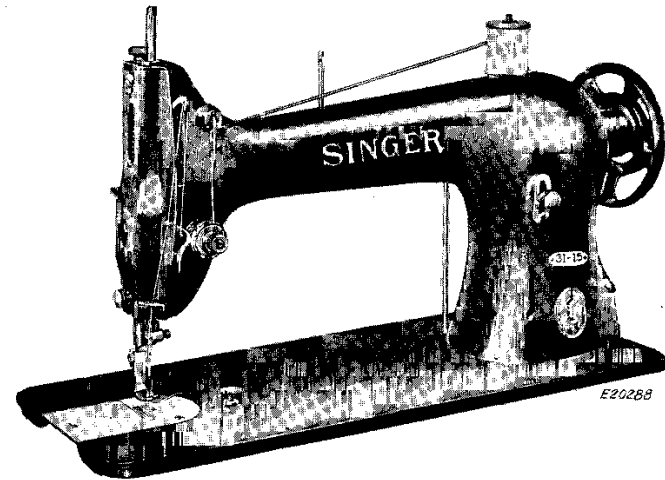
Apply a few drops of oil to the small felt pad on the side of bobbin case each time a bobbin is replaced.

Copyright, U. S. A., 1935, 1936, 1939, 1941 and 1942,
by The Singer Manufacturing Company
All Rights Reserved for all Countries

INDEX

	Page
Attachments and Accessories.....	19
Belt Guards.....	19
Binders.....	19 to 25
Bobbin Winders.....	25 to 28
Corders.....	28
Edge Folders on Shank.....	29
Feed Dogs.....	29
Finger Guards.....	30
Guides.....	31
Hemmers.....	31 to 34
Hemstitcher.....	34
Knee Lifter Parts.....	34
Lap Seam Feller.....	35
Machine Base.....	36
Machine No. 31-15.....	7
Machine No. 31-20.....	13
Numerical List of Parts.....	45
Obsolete Parts.....	42
Piping Attachment.....	36
Presser Feet.....	36 to 38
Quilter.....	39
Ruffler (Power).....	39
Throat Plates.....	40
Tucker.....	40

LIST OF PARTS COMPLETE
FOR



MACHINE No. 31-15

FOR CLOTH, TAILORING, ETC; DROP FEED.

SINGER Needles should be used
in SINGER Machines
These Needles and their Containers
are marked with the
Company's Trade Mark "SIMANCO.**" 1

Needles in Containers marked
"FOR SINGER MACHINES"
are NOT SINGER made needles. 2

No.	Plate	Name
*12355	-----	Arm with 15404 and two 15405.....
8582	22307	" Dowel Pin.....
12453	22307	" Oil Tube for intermediate bearing
12454	22307	" " " with 132590, for oiling
		12409.....
11119	22307	Arm Oil Tube with 52045 for oiling
		12408.....
24131	22307	Arm Oil Tube with 52045 for oiling
		20283.....
132590	22307	Arm Oil Tube Packing (braided cotton)
52045	22307	Arm Oil Tube Packing (braided cotton)
748E	22307	" Screw (back) (2).....
854E	22307	" " (front) (2).....
12427	22303	" Shaft.....
44122	-----	" " 12427 with 20188, 20283 and
		127152.....
44189	-----	Arm Shaft 44122 with 20197.....
12357	22303	" " Flanged Bushing (back).....
448AL	22303	" " " " " " " Set
		Screw.....
144D	22303	Arm Shaft Screw.....
12480	22305	" Side Cap.....
219J	22305	" " " " " " " Screw.....

PARTS FOR MACHINE NO. 31-15

No.	Plate	Name
12193	22307	Arm Side Cover.....
51224J	22307	" " " Thumb Screw.....
52239	22307	" " Spool Pin and Thread Eyelet.....
8879	22307	" " Washer (cloth).....
12358	22303	Balance Wheel (power) light rim, 2 3/16 in. pulley, with two 448AL
139631	-----	Balance Wheel (power) "V" belt groove (outside diam. of belt groove 2.9 in.) with two 443AL.....
4370	-----	Balance Wheel (stand) heavy rim, 2 3/4 in. pulley, with two 448AL.
2135	22303	Balance Wheel (stand) heavy rim, 2 1/2 in. pulley, for 3022.....
2862	-----	Balance Wheel (stand) heavy rim, 3 in. pulley, for 3022.....
24297	22303	Balance Wheel Oil Cover, for use with 2135 and 2862.....
210J	22303	Balance Wheel Oil Cover Screw.....
448AL	22303	" " " Set Screw for 4370 and 12358 (2).....
443AL	-----	Balance Wheel Set Screw for 139631 (2).....
*12360	-----	Bed.....
256J	22303	Clamp Stop Motion Clamp Screw.....
248A	22303	" " " Stop Screw...
2020	22303	" " " Washer.....
*3023	-----	" " " Flanged Bushing....
4933	22303	" " " 3023 with two 462AL.....
*56827	-----	Clamp Stop Motion Flanged Bushing 3023 with 256J.....
2022	-----	Clamp Stop Motion Flanged Bushing Pin Set
462AL	22303	" " " Screw (2).....
3022	22303	Clamp Stop Motion complete, Nos. 248A, 256J, 2020 and 4933.....
20197	22303	Crank Connecting Rod with two 896AL..
896AL	22303	" " " Cap Screw (2)...
908C	22303	" " " Hinge Screw.....
1619E	22303	" " " Nut
20057	22304	Face Plate.....
20058	-----	Face Plate complete, Nos. 12150, 20057 and 139615.....
190J	22304	Face Plate Screw.....
12150	22304	" " " Thread Guard (lower) with 12152.....
12152	22304	Face Plate Thread Guard (lower) Rivet
45874	-----	" " " (upper)
139615	22304	" " " 45874 with 125424.....
125424	22304	Face Plate Thread Guard (upper) Rivet
51224J	22304	" " " Thumb Screw.....
12368	22305	Feed Bar.....
313C	22305	" " " Screw Center (2).....
56813	-----	" " " 313C with 1519J (2).....
1519J	22305	Feed Bar Screw Center Nut (2).....
52165	22303	" " " Connecting Link.....
375C	22303	" " " Hinge Screw (2).
1518J	22303	" " " Nut
44252	22304	Feed Dog, for cloth, 12 teeth (12 teeth to the inch).....
208AL	22304	Feed Dog Screw (2).....

PARTS FOR MACHINE NO. 31-15

No.	Plate	Name
20283	22303	Feed and Feed Lifting Eccentric with 446AL.....
446AL	22303	Feed and Feed Lifting Eccentric Set Screw.....
127152	22303	Feed and Feed Lifting Eccentric Sleeve.....
20284	22303	Feed Forked Connection.....
375C	22303	" " " Hinge Screw...
1518J	22303	" " " Nut
43993	-----	Feed Forked Connection complete, Nos. 20284, 52165, 56886 and two each 375C and 1518J.....
44125	22305	Feed Lifting Rock Shaft.....
44126	22305	Feed Lifting Rock Shaft complete, Nos. 12376 and 44125.....
12376	22305	Feed Lifting Rock Shaft Crank with 157J and 1813.....
157J	22305	Feed Lifting Rock Shaft Crank Clamp- ing Screw.....
1813	22305	Feed Lifting Rock Shaft Crank Roller and Stud.....
43976	22303	Feed Lifting Rock Shaft Crank Con- necting Rod with two 966E.....
966E	22303	Feed Lifting Rock Shaft Crank Con- necting Rod Cap Screw (2).....
375C	22303	Feed Lifting Rock Shaft Crank Con- necting Rod Hinge Screw.....
1518J	22303	Feed Lifting Rock Shaft Crank Con- necting Rod Hinge Screw Nut.....
307C	22305	Feed Lifting Rock Shaft Screw Center (2).....
56814	-----	Feed Lifting Rock Shaft Screw Center 307C with 1513J (2).....
1513J	22305	Feed Lifting Rock Shaft Screw Center Nut (2).....
3039	22303	Feed Regulator.....
56886	-----	" " " 3039 with 818D.....
1128E	22303	" " " Hinge Screw.....
818D	22303	" " " Thumb Screw.....
12379	22305	" " " Rock Shaft.....
20333	-----	Feed Rock Shaft complete, Nos. 12379 and 29633.....
29633	22305	Feed Rock Shaft Crank with 157J.....
157J	22305	" " " Clamping Screw.
307C	22305	" " " Screw Center (2).....
56814	-----	" " " 307C with 1513J (2).....
1513J	22305	Feed Rock Shaft Screw Center Nut (2).
12381	22306	Needle Bar (hollow).....
43997	22306	" " " Connecting Link with 794E and 12384.....
794E	22306	Needle Bar Connecting Link Adjusting Screw.....
12384	22306	Needle Bar Connecting Stud with 453AL and 1904.....
1904	22306	Needle Bar Connecting Stud Roller (roller only).....
453AL	22306	Needle Bar Connecting Stud Set Screw.
20188	22303	" " " Crank with 858AL and 1065AL.....
1065AL	22303	Needle Bar Crank Position Screw.....
858AL	22303	" " " Set Screw.....
936E	22306	" " " Screw Bushing (2).....
4302	22306	" " " Thread Guard.....

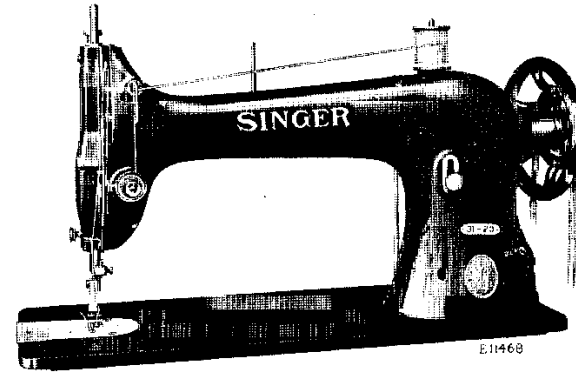
No.	Plate	Name
233D	22306	Needle Bar Thread Guard Screw.....
4303	22306	" Clamp with 808F.....
808F	22306	" Screw.....
*24104	-----	Oscillating Rock Shaft.....
24105	22303	Oscillating Rock Shaft complete, Nos. 4784, 12388 and 24104.....
139602	-----	Oscillating Rock Shaft 24105 with 908C.....
12388	22303	Oscillating Rock Shaft Hinge Pin.....
448AL	22303	" Set Screw.....
4784	22303	Oscillating Rock Shaft Oil Pad.....
12389	22305	" Shaft.....
19496	-----	" " Crank for 19447.....
44134	22305	" " " 44135....
19447	-----	Oscillating Shaft Crank complete, Nos. 457AL, 1518E, 19449 and 19496.....
44135	22305	Oscillating Shaft Crank complete, Nos. 1518E, 19449, 44134 and two 453AL.....
2049	-----	Oscillating Shaft Crank Pin.....
457AL	-----	" Set Screw for 19447.....
453AL	22305	Oscillating Shaft Crank Set Screw for 44135 (2).....
19448	22305	Oscillating Shaft Crank Slide Block..
226J	22305	" Cap Screw.....
12424	22305	Oscillating Shaft Crank Slide Block Cap Screw Washer.....
988C	22305	Oscillating Shaft Crank Slide Block Screw Stud.....
1518E	22305	Oscillating Shaft Crank Slide Block Screw Stud Nut.....
19449	-----	Oscillating Shaft Crank Slide Block complete, Nos. 226J, 988C, 12424 and 19448.....
12391	22306	Presser Bar (hollow).....
20059	22306	" Guide Bracket with 453AL.
453AL	22306	Presser Bar Guide Bracket Set Screw..
52016	22306	" " Lifter.....
689C	22306	" " " Screw.....
1520J	22306	" " " Nut.....
12327	22306	" " Lifting and Releasing Lever Bracket.....
11167	22306	Presser Bar Spring (light) .051 wire.
Note: No. 11167 is sent with this machine unless another Spring is specified on order.		
12139	-----	Presser Bar Spring (medium) .055 wire
20023	-----	" " " (heavy) .063 wire.
11170	22306	" " " Washer.....
12143	22306	" " Foot for 44252 and 44253.....
190J	22306	Presser Foot Screw.....
688J	22306	Pressure Regulating Thumb Screw.....
2996	22306	Shuttle Bobbin.....
15140	22306	" Case Latch.....
2973	22306	" " " Lever.....
2974	22306	" " " " Fulcrum Pin.....
2975	22306	Shuttle Bobbin Case Latch Spring....
592E	22306	" Stop Screw.....
15141	-----	Shuttle Bobbin Case Hinge, Nos. 2973, 2974 and 15140.....

No.	Plate	Name
24412	22307	Shuttle Bobbin Case Position Plate...
391J	22307	" Screw (2).....
62740	22306	Shuttle Bobbin Case complete, Nos. 591F, 592E, 2975, 15141 and 15278
12393	22306	Shuttle Body.....
591F	22306	" Tension Regulating Screw.....
15278	22306	" Spring.....
19292	22306	Shuttle, 1 11/16 in. diam., Nos. 2996, 12393, and 62740.....
12444	22305	Shuttle Driver with two 1266AL.....
2049	-----	" " Pin.....
1266AL	22305	" " Set Screw (2).....
2531	22307	" Race Back.....
2532	22307	" " Position Pin (2)...
2533	22307	" " " Spring.....
907D	22307	" " " Screw.....
24413	22307	" " Body.....
25000	-----	" " 24413 with 24414 and two 1053E.....
24962	-----	Shuttle Race Body 25000 with two 2532
24414	22307	" Cap.....
1053E	22307	" " Screw (2).....
24415	22307	Shuttle Race complete, Nos. 907D, 2531, 2533, 24412, 24962 and two 391J.....
145D	22307	Shuttle Race Screw (2).....
12431	22304	" Slide.....
12432	22304	Shuttle Race Slide complete, Nos. 4307, 12431 and two 725J.....
4307	22304	Shuttle Race Slide Spring.....
725J	22304	" Screw (2)..
20060	22306	Slack Thread Regulator.....
225F	22306	" Adjusting Screw.....
2102	22304	Tension Disc (2).....
1560C	22304	" Regulating Thumb Nut.....
32572	22304	" Releasing Disc.....
43944	22304	" " Lever.....
12398	22304	" " " Hinge Pin...
12329	22304	" " " Spring.....
32574	22304	" " Pin.....
50327C	22304	" Screw Stud.....
44141	-----	" " 50327C with 1560C.
43945	22304	" Spring.....
44118	22304	Tension complete, Nos. 7336, 32572, 32574, 43945, 43946, 44141 and two 2102.....
52454	22304	Thread Retainer.....
624AL	22304	" Set Screw.....
12404	22306	" Take-up Crank.....
3094	22303	" " Wedge.....
690E	22303	" " " Screw.....
12408	22308	" " Lever.....
775E	22306	" " " Cap Screw.....
12166	22306	" " " Hinge Pin.....
12409	22306	" " " Link.....
11204	22306	" " " Hinge Pin..
435AL	22306	" " " " Set Screw.....
12410	-----	Thread Take-up Lever complete, Nos. 12166, 12408 and 12409.....
43946	22304	Thread Take-up Spring.....

No.	Plate	Name
7336	22304	Thread Take-up Spring Regulator.....
448AL	22304	" " " " " " Set
43990	-----	Screw.....
		Thread Take-up complete, Nos. 775E,
		11204, 12404, 12410 and 43997....
44256XC	22304	Throat Plate, large needle hole, for
		44252 and 44253.....
691XC	22304	Throat Plate Screw (2).....
*15404	-----	Trade Mark.....
15405	-----	" " Rivet (2).....
139622	22341	Drip Pan with four 1 in. wire nails..

LIST OF PARTS COMPLETE

FOR



MACHINE No. 31-20

FOR CLOTH. THROAT PLATE FLUSH WITH BED.

DROP FEED.

No.	Plate	Name
*12355	-----	Arm with 15404 and two 15405.....
8582	22317	" Dowel Pin.....
12453	22317	" Oil Tube for intermediate bearing
12454	22317	" " " " with 132590 for oiling
		12409.....
11119	22317	Arm Oil Tube with 52045 for oiling
		12408.....
24131	22317	Arm Oil Tube with 52045 for oiling
		20283.....
132590	22317	Arm Oil Tube Packing (braided cotton)
52045	22317	" " " " (braided cotton)
748E	22317	" Screw (back) (2).....
854E	22317	" " (front) (2).....
12427	22303	" Shaft.....
44122	-----	Arm Shaft 12427 with 20188, 20283 and
		127152.....
44189	-----	Arm Shaft 44122 with 20197.....
12357	22303	" " Flanged Bushing (back).....
448AL	22303	" " " " " " Set
		Screw.....
144D	22303	Arm Shaft Screw.....
12480	22315	" Side Cap.....
219J	22315	" " " " Screw.....

PARTS FOR MACHINE NO. 31-20

No.	Plate	Name
12193	22317	Arm Side Cover.....
51224J	22317	" " Thumb Screw.....
52239	22317	" Spool Pin and Thread Eyelet.....
8879	22317	" " Washer (cloth).....
12358	22303	Balance Wheel (power) light rim,, 2 3/16 in. pulley, with two 448AL
139631	-----	Balance Wheel (power) "v" belt groove (outside diam. of belt 2.9 in.) with two 443AL.....
4370	-----	Balance Wheel (stand) heavy rim, 2 3/4 in. pulley, with two 448AL.
2135	22303	Balance Wheel (stand) heavy rim, 2 1/2 in. pulley, for 3022.....
2862	-----	Balance Wheel (stand) heavy rim, 3 in. pulley, for 3022.....
24297	22303	Balance Wheel Oil Cover for 2135 and 2862.....
210J	22303	Balance Wheel Oil Cover Screw.....
448AL	22303	" " Set Screw for 4370 and 12358 (2).....
443AL	-----	Balance Wheel Set Screw for 139631 (2).....
*12360	-----	Bed.....
256J	22303	Clamp Stop Motion Clamp Screw.....
248A	22303	" " " Stop Screw... " " " Washer.....
2020	22303	" " " Washer.....
*3023	-----	" " " Flanged Bushing.....
4933	22303	" " " 3023 with two 462AL.....
*56827	-----	Clamp Stop Motion Flanged Bushing 3023 with 256J.....
2022	-----	Clamp Stop Motion Flanged Bushing Pin 462AL 22303 Set
3022	22303	Screw (2)..... Clamp Stop Motion complete, Nos. 248A, 256J, 2020 and 4933.....
20197	22303	Crank Connecting Rod with two 896AL..
896AL	22303	" " " Cap Screw (2)....
908C	22303	" " " Hinge Screw.....
1619E	22303	" " " Nut.
20057	22304	Face Plate.....
20058	-----	Face Plate complete, Nos. 12150, 20057 and 139615.....
190J	22304	Face Plate Screw.....
12150	22304	" " Thread Guard (lower) with 12152.....
12152	22304	Face Plate Thread Guard (lower) Rivet
45874	-----	" " " (upper).....
139615	22304	" " " 45874 with 125424.....
125424	22304	Face Plate Thread Guard (upper) Rivet
51224J	22304	" " Thumb Screw.....
12368	22315	Feed Bar.....
313C	22315	" " Screw Center (2).....
56813	-----	" " " 313C with 1519J (2).....
1519J	22315	Feed Bar Screw Center Nut (2).....
52165	22303	" " Connecting Link.....
375C	22303	" " " Hinge Screw (2)..
1518J	22303	" " " Nut (2).....
44252	22304	Feed Dog, for cloth, 12 teeth (12 teeth to the inch).....
208AL	22304	Feed Dog, Screw (2).....

PARTS FOR MACHINE NO. 31-20

No.	Plate	Name
20283	22303	Feed and Feed Lifting Eccentric with 446AL.....
446AL	22303	Feed and Feed Lifting Eccentric Set Screw.....
127152	22303	Feed and Feed Lifting Eccentric Sleeve.....
20284	22303	Feed Forked Connection.....
375C	22303	Feed Forked Connection Hinge Screw... 1518J 22303 Nut
43993	-----	Feed Forked Connection complete, Nos. 20284, 52165, 56886 and two each 375C and 1518J.....
44125	22315	Feed Lifting Rock Shaft.....
44126	22315	Feed Lifting Rock Shaft complete, Nos. 12376 and 44125.....
12376	22315	Feed Lifting Rock Shaft Crank with 157J and 1813.....
157J	22315	Feed Lifting Rock Shaft Crank Clamp- ing Screw.....
1813	22315	Feed Lifting Rock Shaft Crank Roller and Stud.....
43976	22303	Feed Lifting Rock Shaft Crank Con- necting Rod with two 966E.....
966E	22303	Feed Lifting Rock Shaft Crank Con- necting Rod Cap Screw (2).....
375C	22303	Feed Lifting Rock Shaft Crank Con- necting Rod Hinge Screw.....
1518J	22303	Feed Lifting Rock Shaft Crank Con- necting Rod Hinge Screw Nut.....
307C	22315	Feed Lifting Rock Shaft Screw Center (2).....
56814	-----	Feed Lifting Rock Shaft Screw Center 307C with 1513J (2).....
1513J	22315	Feed Lifting Rock Shaft Screw Center Nut (2).....
3039	22303	Feed Regulator.....
56886	-----	" " " 3039 with 818D.....
1128E	22303	" " " Hinge Screw.....
818D	22303	" " " Thumb Screw.....
12379	22315	" " Rock Shaft.....
20333	-----	Feed Rock Shaft complete, Nos. 12379 and 29633.....
29633	22315	Feed Rock Shaft Crank with 157J.....
157J	22315	" " " Clamping Screw.
307C	22315	" " " Screw Center (2).....
56814	-----	" " " " 307C with 1513J (2).....
1513J	22315	Feed Rock Shaft Screw Center Nut (2)..
12381	22316	Needle Bar (hollow).....
43997	22316	" " Connecting Link with 794E and 12384.....
794E	22316	Needle Bar Connecting Link Adjusting Screw.....
12384	22316	Needle Bar Connecting Stud with 453AL and 1904.....
1904	22316	Needle Bar Connecting Stud Roller (roller only).....
453AL	22316	Needle Bar Connecting Stud Set Screw.
20188	22303	" " Crank with 858AL and 1065AL.....
1065AL	22303	Needle Bar Crank Position Screw.....
858AL	22303	" " Set Screw.....
936E	22316	" " Screw Bushing (2).....
4302	22316	" " Thread Guard.....

PARTS FOR MACHINE NO. 31-20

No.	Plate	Name
233D	22316	Needle Bar Thread Guard Screw.....
4303	22316	" Clamp with 808F.....
808F	22316	" Screw.....
*24104	-----	Oscillating Rock Shaft.....
24105	22303	Oscillating Rock Shaft complete, Nos. 4784, 12388 and 24104.....
139602	-----	Oscillating Rock Shaft 24105 with 908C.....
12388	22303	Oscillating Rock Shaft Hinge Pin.....
448AL	22303	" Set Screw.....
4784	22303	Oscillating Rock Shaft Oil Pad.....
12389	22315	" Shaft.....
19496	-----	" Crank for 19447.....
44134	22315	" 44135.....
19447	-----	Oscillating Shaft Crank complete, Nos. 457AL, 1518E, 19449 and 19496.....
44135	22315	Oscillating Shaft Crank complete, Nos. 1518E, 19449, 44134 and two 453AL.....
2049	-----	Oscillating Shaft Crank Pin.....
457AL	-----	" Set Screw for 19447.....
453AL	22315	Oscillating Shaft Crank Set Screw for 44135 (2).....
19448	22315	Oscillating Shaft Crank Slide Block..
226 J	22315	" Cap Screw.....
12424	22315	Oscillating Shaft Crank Slide Block Cap Screw Washer.....
988C	22315	Oscillating Shaft Crank Slide Block Screw Stud.....
1518E	22315	Oscillating Shaft Crank Slide Block Screw Stud Nut.....
19449	-----	Oscillating Shaft Crank Slide Block complete, Nos. 226J, 988C, 12424 and 19448.....
12391	22316	Presser Bar (hollow).....
20059	22316	Presser Bar Guide Bracket with 453AL..
453AL	22316	" Set Screw..
52016	22316	" Lifter.....
689C	22316	" Screw.....
1520J	22316	" Nut.....
12327	22316	" Lifting and Releasing Lever Bracket.....
11167	22316	Presser Bar Spring (light) .051 wire. Note: No. 11167 is sent with this machine unless another Spring is specified on order.
12139	-----	Presser Bar Spring (medium) .055 wire
20023	-----	" (heavy) .063 wire.
11170	22316	" Washer.....
12143	22316	" Foot for 44252 and 44253.....
190J	22316	" Screw.....
688J	22316	Pressure Regulating Thumb Screw.....
19131	22316	Shuttle Bobbin.....
20649	22316	" Case Latch.....
2973	22316	" Lever.....
2974	22316	" Fulcrum Pin.....
2975	22316	Shuttle Bobbin Case Latch Spring.....
592E	22316	" Stop Screw.....
20650	-----	Shuttle Bobbin Case Hinge, Nos. 2973, 2974 and 20649.....

PARTS FOR MACHINE NO. 31-20

No.	Plate	Name
24323	22317	Shuttle Bobbin Case Position Plate...
391J	22317	" Screw (2).....
20756	22316	Shuttle Bobbin Case complete, Nos. 591F, 592E, 2975, 20650 and 20654...
20757	22316	Shuttle Body.....
591F	22316	" Tension Regulating Screw.....
20654	22316	" Spring.....
20758	22316	Shuttle, 1 11/16 in. diam., Nos. 19131, 20756 and 20757.....
19406	22315	Shuttle Driver with two 1266AL.....
2049	-----	" Pin.....
1266AL	22315	" Set Screw (2).....
2419	22317	" Race Back.....
2532	22317	" Position Pin (2)...
2533	22317	" Spring.....
907D	22317	" Screw.....
24324	22317	" Body.....
24998	-----	" 24324 with 24009 and two 1053E.....
24999	-----	Shuttle Race Body 24998 with two 2532
24009	22317	" Cap.....
1053E	22317	" Screw (2).....
24325	22317	Shuttle Race complete, Nos. 907D, 2419, 2533, 24323, 24999 and two 391J.....
145D	22317	Shuttle Race Screw (2).....
12431	22304	" Slide.....
12432	22304	Shuttle Race Slide complete, Nos. 4307, 12431 and two 725J.....
4307	22304	Shuttle Race Slide Spring.....
725J	22304	" Screw (2)..
20060	22316	Slack Thread Regulator.....
225F	22316	" Adjusting Screw.....
2102	22304	Tension Disc (2).....
1560C	22304	" Regulating Thumb Nut.....
32572	22304	" Releasing Disc.....
43944	22304	" Lever.....
12398	22304	" Hinge Pin....
12329	22304	" Spring.....
32574	22304	" Pin.....
50327C	22304	" Screw Stud.....
44141	-----	" 50327C with 1560C.
43945	22304	" Spring.....
44118	22304	Tension complete, Nos. 7336, 32572, 32574, 43945, 43946, 44141 and two 2102.....
52454	22304	Thread Retainer.....
624AL	22304	" Set Screw.....
12404	22316	" Take-up Crank.....
3094	22303	" Wedge.....
690E	22303	" Screw.....
12408	22316	" Lever.....
775E	22316	" Cap Screw.....
12166	22316	" Hinge Pin.....
12409	22316	" Link.....
11204	22316	" Hinge Pin..
435AL	22316	" Set Screw.....
12410	-----	Thread Take-up Lever complete, Nos. 12166, 12408 and 12409.....
43946	22304	Thread Take-up Spring.....

PARTS FOR MACHINE NO. 31-20

No.	Plate	Name
7336	22304	Thread Take-up Spring Regulator.....
448AL	22304	Set
43990	-----	Screw.....
		Thread Take-up complete, Nos. 775E, 11204, 12404, 12410 and 43997....
44256XC	22304	Throat Plate, large needle hole, for 44252 and 44253.....
691XC	22304	Throat Plate Screw (2).....
*15404	-----	Trade Mark.....
15405	-----	" Rivet (2).....
139622	22341	Drip Pan with four 1 in. wire nails..

ATTACHMENTS AND ACCESSORIES

No.	Plate	Name
12361	24059	Machine Hinge Connection (2).....
41400	24059	Rest Pin (wood) 3 1/8 in. long.....
120342	24059	Oiler (copper plated) with 120343....
120343	24059	Spout, 3 1/2 in. long.....
26026	24059	Screw Driver (machine).....
26485	24059	" (shuttle tension).....
8909	24059	Wrench for 1513 and 1518.....
8908	24059	" " 1519, 1520 and 1620.....
19221	24059	" " 936 and 1619.....
4822	24059	" " 1521.....

BELT GUARDS

No.	Plate	Name
41929	22343	Belt Guard.....
8418	22343	" Button.....
8419	22343	" " Washer (leather)...
8420	-----	" " 8418 with 8419 and wood screw 1 1/4 in. No. 9 R.H.B.
41930	22343	Belt Guard Hinge (2).....
41931	22343	Belt Guard complete, Nos. 8420, 41929, two 41930 and four wood screws 3/4 in. No. 9.....

FOR BENCH STANDS

No.	Plate	Name
126356	22332	Belt Guard.....
126363	22332	" Bracket.....
126364	22332	" " Extension.....
162D	22332	" " " Screw.....
9331	22332	" " " Washer....
1480D	22332	" " Retaining Screw.....
50551J	22332	" " Set Screw.....
126365	22332	Belt Guard (adjustable) complete, Nos. 162D, 1480D, 9331, 50551J, 126356, 126363, 126364 and two wood screws 1 in. No. 10.....

BINDERS

WHEN ORDERING BINDERS SEND SAMPLE OF THE

BINDING AND THE MATERIAL TO BE BOUND

BINDER (Adjustable)

SIZE 1

No.	Plate	Name
25644	22912	Bed with 25645.....
25645	-----	Folder.....
25646	22912	" Guide (lower) with 25855.....
25855	-----	" " Screw Stud.....
25647	22912	Folder Guide (upper).....

BINDERS

No.	Plate	Name
1577D	22912	Folder Guide (upper) Thumb Nut.....
25648	22912	Pressure Spring.....
334J	22912	" " Screw.....
7071	22912	" " Washer.....
25650	22912	Binder complete, Nos. 334J, 1577D, 7071, 25644 and 25646 to 25648...
190J	22912	Binder Screw.....

BINDER (Adjustable)

SIZE 2

THIS BINDER IS THE SAME AS NO. 25650

WITH THE FOLLOWING EXCEPTIONS:

No.	Plate	Name
25651	22912	Bed with 25652, in place of 25644....
25652	-----	Folder, in place of 25645.....
25653	22912	Binder complete, Nos. 334J, 1577D, 7071, 25646 to 25648 and 25651....

BINDER (Adjustable)

SIZE 3

THIS BINDER IS THE SAME AS NO. 25650

WITH THE FOLLOWING EXCEPTIONS:

No.	Plate	Name
25654	22912	Bed with 25655, in place of 25644....
25655	-----	Folder, in place of 25645.....
25656	22912	Binder complete, Nos. 334J, 1577D, 7071, 25646 to 25648 and 25654....

BINDER (Adjustable)

FOR CAP FRONTS

FOR 31-20 MACHINE

No.	Plate	Name
26695	24060	Bed with 9558.....
25698	24060	Folder.....
9558	24060	" Steady Pin.....
26696	24060	Guide (lower) with 1141D and 9780....
1141D	24060	" " Screw Stud.....
9780	24060	" " Stud.....
1566D	24060	" " Thumb Nut.....
26697	24060	" (upper).....
152F	24060	" " Screw (2).....
7071	24060	" " Washer (2).....
25703	24060	Pressure Spring with 26698.....
26698	24060	" Lifting Button.....

BINDERS

No.	Plate	Name
334J	24060	Pressure Spring Screw.....
7071	24060	" " Washer.....
26694	24060	Binder complete, Nos. 334J, 1566D, 25698, 25703, 26695 to 26697, two 152F and three 7071.....

BINDER (English)

No.	Plate	Name
121444	24061	Feed Dog, 13 teeth (16 teeth to the inch) for 121445.....
25721	24061	Folder.....
207F	24061	" Screw.....
7071	24061	" " Washer.....
25983	24061	Presser Foot.....
26614	-----	Ribbon Tension Pin (bent).....
26615	-----	" " (straight) (4)....
26616	-----	" " Plate.....
25722	24061	Ribbon Tension complete, Nos. 26614, 26616 and four 26615.....
190J	24061	Ribbon Tension Screw.....
7071	24061	" Washer.....
121445XC	24061	Throat Plate for 121444.....
26250	24061	Binder complete, Nos. 190J, 207F, 25721, 25722, 25983, 121444, 121445XC and two 7071.....

BINDER (English)

FOR CUT CLOTH

No.	Plate	Name
19474	22916	Feed Dog, 14 teeth (16 teeth to the inch) for 26401.....
25733	22916	Folder, for 1/2 in. binding.....
207F	22916	" Screw.....
7071	22916	" " Washer.....
26400	22916	Presser Foot.....
26617	-----	Ribbon Tension Pin (bent).....
26486	-----	" " (straight) (7)....
26618	-----	" " Plate.....
25734	22916	Ribbon Tension complete, Nos. 26617, 26618 and seven 26486.....
190J	22916	Ribbon Tension Screw (2).....
7071	22916	" Washer (2).....
26401XC	22916	Throat Plate for 19474.....
26402	22916	Binder complete, Nos. 207F, 19474, 25733, 25734, 26400, 26401XC, two 190J and three 7071.....

BINDER (English)

FOR HEAVY WORK

No.	Plate	Name
121446	24062	Feed Dog (spiked teeth) 13 teeth (10 teeth to the inch) for 121447....
28334	24062	Folder.....

BINDERS

No.	Plate	Name
193J	24062	Folder Screw.....
7071	24062	" Washer.....
28676	24062	Presser Foot.....
26617	-----	Ribbon Tension Pin (bent).....
26486	-----	" (straight) (8).....
28336	-----	" Plate.....
28337	24062	Ribbon Tension complete, Nos. 26617, 28336 and eight 26486.....
233J	24062	Ribbon Tension Screw (2).....
121447XC	24062	Throat Plate for 121446.....
28678	24062	Binder complete, Nos. 193J, 7071, 28334, 28337, 28676, 121446, 121447XC and two 233J.....

BINDER (English)

FOR CARPETS

THIS BINDER IS THE SAME AS NO. 28678

WITH THE FOLLOWING EXCEPTIONS:

No.	Plate	Name
12370	24062	Feed Dog, 15 teeth (16 teeth to the inch) for 28775, in place of 121446.....
28775XC	24062	Throat Plate for 12370, in place of 121447.....
28776	24062	Binder complete, Nos. 193J, 7071, 12370, 28334, 28337, 28676, 28775XC and two 233J.....

BINDER (English)

FOR AWNINGS

No.	Plate	Name
120434	22916	Feed Dog, 7 teeth (16 teeth to the inch) for 120436.....
120433	22916	Folder.....
207F	22916	" Screw.....
7071	22916	" Washer.....
120435	22916	Presser Foot.....
26614	-----	Ribbon Tension Pin (bent).....
26615	-----	" (straight) (4).....
26616	-----	" Plate.....
25722	22916	Ribbon Tension complete, Nos. 26614, 26616 and four 26615.....
190J	22916	Ribbon Tension Screw.....
7071	22916	" Washer.....
120436XC	22916	Throat Plate for 120434.....
120437	22916	Binder complete, Nos. 190J, 207F, 25722, 120433 to 120436XC and two 7071.....

BINDERS

BINDER (English)

FOR SLIP COVERS AND GENERAL WORK

THIS BINDER IS THE SAME AS NO. 120437

WITH THE FOLLOWING EXCEPTION:

No.	Plate	Name
120458	22918	Presser Foot, in place of 120435.....
120459	22918	Binder complete, Nos. 190J, 207F, 25722, 120433, 120434, 120436XC, 120458 and two 7071.....

BINDER (English)

No.	Plate	Name
120124	22918	Feed Dog, 6 teeth (16 teeth to the inch) for 120126.....
120120	22918	Folder with 665J and 120121.....
120121	22918	" Guide.....
665J	22918	" Screw.....
220J	22918	" Screw.....
7806	22918	" Washer.....
120125	22918	Presser Foot.....
26614	-----	Ribbon Tension Pin (bent).....
26615	-----	" (straight) (6).....
120122	-----	" Plate.....
120123	22918	Ribbon Tension complete, Nos. 26614, 120122 and six 26615.....
190J	22918	Ribbon Tension Screw (2).....
7071	22918	" Washer (2).....
120126XC	22918	Throat Plate for 120124.....
120127	22918	Binder complete, Nos. 220J, 7806, 120120, 120123 to 120126XC and two each 190J and 7071.....

BINDER (Transverse) ON SHANK

FOR FOLDED OR UNFOLDED BIAS BINDING

(WITH TAPE REEL)

FOR GENERAL WORK

FOR 3/4 INCH, 7/8 INCH AND 1 INCH TAPE

No.	Plate	Name
121167	23249	Binder Folder on Shank.....
43525	23249	" Steady Pin.....
51097J	23249	" Thumb Screw.....
3146	23249	" Washer.....
121397	23249	Feed Dog, 18 teeth (16 teeth to the inch) for 121398.....
121169	23249	Presser Foot.....
121412	23249	Tape Reel Arm with 8879, 23263 and 120537.....
23263	23249	Tape Reel Arm Steady Pin.....

BINDERS

No.	Plate	Name
51097J	23249	Tape Reel Arm Thumb Screw.....
120536	23249	" " Disc with 120538 and 120539
120537	23249	" " " Pin.....
8879	23249	" " " Washer (cloth)....
120538	23249	" " " Stud (wood).....
120539	23249	" " " Sleeve (brass)...
121398XC	23249	Throat Plate with 43525, for 121397..
121168	23249	Binder (transverse) on Shank complete, for 3/4 in., 7/8 in. and 1 in. tape, Nos. 3146, 120536, 121167, 121169, 121397, 121398XC, 121412 and two 51097J.....

BINDERS ON SHANK

No.	Plate	Name
25705	22922	Binder on Shank, for 3/8 in. tape....
25706	22922	" " " " 7/16 in. tape...
25707	22922	" " " " 1/2 in. tape....
25708	22922	" " " " 9/16 in. tape....
25709	22922	" " " " 5/8 in. tape....
25710	22922	" " " " 11/16 in. tape..
25711	22922	" " " " 3/4 in. tape....
25712	22922	" " " " 13/16 in. tape..
25713	22922	" " " " 7/8 in. tape....
25714	22922	" " " " 15/16 in. tape....
25715	22922	" " " " 1 in. tape.....
28632	22922	" " " " to turn edges under.
28635	22922	" " " " for 7/8 in. binding.
28693	22922	" " " " for binding the arm holes in cotton garments.....
35066	22943	Presser Foot, for 28693.....
28970	24061	Binder on Shank, for bias binding, to turn both edges under.....
35082	24061	Binder on Shank, for raw edge bias binding, for wrappers, etc.
35208	24063	Binder on Shank, to turn in both edges, for bias or straight bind- ing, for skirts, wrappers, shirt waists, etc.....
26603	24063	Feed Dog, 20 teeth (16 teeth to the inch) for 26605, for 35208.....
52055	24063	Presser Foot, for 35208.....
26605XC	24063	Throat Plate, large needle hole, for 26603, for 35208.....
7298	24064	Presser Foot Hinge Pin.....
120143	24064	" " Plate.....
19335	24064	" " Shank.....
120144	24064	Presser Foot (hinged) complete for 35208, Nos. 7298, 19335 and 120143.....
35226	24064	Binder on Shank, for mattress work...
26603	24064	Feed Dog, 20 teeth (16 teeth to the inch) for 26605, for 35226.....
121446	24064	Feed Dog, 13 teeth (10 teeth to the inch) for 26605, for 35226.....
35231	24064	Presser Foot, for 35226.....
26605XC	24064	Throat Plate, large needle hole, for 26603 and 121446, for 35226.....
35325	24064	Binder on Shank, to turn top edge only, for shirt bosoms, skirt trimmings, etc.....

BINDERS

No.	Plate	Name
19474	24064	Feed Dog, 14 teeth (16 teeth to the inch) for 24572, for 35325.....
35066	24064	Presser Foot for 35325.....
24572XC	24064	Throat Plate, small needle hole, for 19474, for 35325.....
7298	24064	Presser Foot Hinge Pin.....
120143	24064	" " Plate.....
19335	24064	" " Shank.....
120144	24064	Presser Foot (hinged) complete for 35325, Nos. 7298, 19335 and 120143

BINDERS (Horn) ON SHANK

No.	Plate	Name
28619	24065	Binder (horn) on Shank.....
28620	24065	Presser Foot for 28619.....
35062	24065	Binder (horn) on Shank, for 7/8 in. 1 1/2 in. bindings, for tape, for mattresses.....
35063	24065	Presser Foot for 35062.....

BOBBIN WINDERS

BOBBIN WINDER

FOR 4370

No.	Plate	Name
15072	22335	Bobbin Position Pin.....
12168	22335	Bracket.....
692D	22335	" Screw.....
12169	22335	Frame.....
12171	22335	Frame complete, Nos. 333D, 5960, 5961, 5963, 12169 and 15077.....
32D	22335	Frame Hinge Screw.....
5960	22335	Friction Wheel (leather).....
5961	22335	" " Washer.....
333D	22335	" " Screw.....
15077	22335	Spindle with 15072.....
5963	22335	" Flange.....
12170	22335	Spring.....
180F	22335	" Screw.....
12172	22335	Bobbin Winder complete, Nos. 32D, 180F, 12168, 12170 and 12171.....

BOBBIN WINDER

FOR 2135 AND 2862

THIS BOBBIN WINDER IS THE SAME AS NO. 12172

WITH THE FOLLOWING EXCEPTIONS:

No.	Plate	Name
12201	22335	Frame complete, Nos. 333D, 5960, 5961, 5963, 12169 and 15077, in place of 12171.....

BOBBIN WINDERS

No.	Plate	Name
12202	22335	Bobbin Winder complete, Nos. 32D, 180F, 12168, 12170 and 12201.....

BOBBIN WINDER

FOR 12358

THIS BOBBIN WINDER IS THE SAME AS NO. 12172

WITH THE FOLLOWING EXCEPTIONS:

No.	Plate	Name
20307	22335	Frame, in place of 12169.....
20308	22335	Frame complete, Nos. 333D, 5960, 5961, 5963, 15077 and 20307, in place of 12171.....
20309	22335	Bobbin Winder complete, Nos. 32D, 180F, 12168, 12170 and 20308.....

BOBBIN WINDER

(SWINGING AUTOMATIC, RIGHT HAND)

FOR 31-15 MACHINE

No.	Plate	Name
27540	22333	Base.....
15072	22333	Bobbin Position Pin.....
27302	22333	Frame.....
50356D	22333	" Hinge Screw.....
1620J	22333	" " Nut.....
27303	-----	" Spring.....
27541	22333	Pulley.....
27538	22333	Spindle Collar with 15072 and 41828..
41828	22333	" Pin.....
27306	22333	Spool Pin.....
11241	22333	" Washer (cloth).....
27307	22333	" Stand.....
27308	22333	Spool Stand complete, Nos. 418E, 1562J, 2106, 10141, 11241, 27306, 27307 and two each 2455 and wood screws 1 in. No. 10.....
27312	22333	Stop Latch.....
35D	22333	" Hinge Screw.....
2455	22333	Tension Disc (2).....
1562J	22333	" Regulating Thumb Nut.....
418E	22333	" Screw Stud.....
10141	22333	" Spring.....
2106	22333	" Thread Guide.....
27647	22333	Bobbin Winder, Nos. 35D, 1620J, 27302, 27303, 27312, 27538, 27540, 27541, 50356D and two wood screws 1 in. No. 7.....
27544	22333	Bobbin Winder (swinging automatic, right hand) complete, Nos. 27308 and 27647.....

BOBBIN WINDER

(SWINGING AUTOMATIC, RIGHT HAND)

FOR 31-20 MACHINE

THIS BOBBIN BINDER IS THE SAME AS NO. 27544

WITH THE FOLLOWING EXCEPTIONS:

No.	Plate	Name
27567	24066	Stop Latch, in place of 27312.....
27875	24066	Bobbin Winder, Nos. 35D, 1620J, 27302, 27303, 27538, 27540, 27541, 27587, 50356D and two wood screws 1 in. No. 7, in place of 27647.....
27876	24066	Bobbin Winder (swinging automatic, right hand) complete, Nos. 27308 and 27875.....

BOBBIN WINDER

(SWINGING AUTOMATIC, RIGHT HAND)

FOR POWER TABLE

FOR ROUND BELT

No.	Plate	Name
259428	23253	Brake (leather).....
259429	23253	" Clamp.....
200113F	23253	" Screw.....
259430	23253	Bobbin Winder and Tension Bracket Base.....
225453	23253	Frame with 202277 and 225438.....
225454	23253	" Hinge Pin.....
202277	23253	" Oil Packing (wick).....
225438	23253	" Well Cap.....
225455	23253	" Spring.....
225456	23253	" Plunger.....
225368	23253	Pulley with 200380C.....
200380C	23253	" Set Screw.....
225381	23253	Spindle.....
225444	23253	Stop Latch.....
200056E	23253	" " Screw.....
225458	23253	" " Thumb Lever.....
225459	23253	" " " Hinge Stud....
225459	23253	" " " Joint Stud....
202478	23253	" " Trip Lever.....
200299H	23253	" " " Hinge Screw....
200082D	23253	Tension Bracket with 201499B.....
228026	23253	" " Screw.....
2102	23253	" " Washer.....
13710	23253	" Disc (2).....
201499B	23253	" Spring.....
201572B	23253	" Stud.....
225462	23253	" Thumb Nut.....
	23253	Bobbin Winder Tension Bracket complete, Nos. 13710, 201572B, 225461 and two 2102.....

BOBBIN WINDERS

No.	Plate	Name
259431	23253	Bobbin Winder complete for round belt, Nos. 200056E, 200082D, 200113F, 200299H, 202478, 225368, 225381, 225444, 225453 to 225456, 225456, 225462, 228026, 259428 to 259430 and two each 225459 and wood screws 3/4 in. No. 12 R.H.B.....

BOBBIN WINDER

(SWINGING AUTOMATIC, RIGHT HAND)

FOR POWER TABLE

FOR "V" BELT

THIS BOBBIN BINDER IS THE SAME AS NO. 259431

WITH THE FOLLOWING EXCEPTIONS:

No.	Plate	Name
259461	23253	Pulley with 200380C, in place of 225368.....
259462	23253	Bobbin Winder complete, for "v" belt, Nos. 200056E, 200082D, 200113F, 200299H, 202478, 225381, 225444, 225453 to 225456, 225458, 225462, 228026, 259428 to 259430, 259461 and two each 225459 and wood screws 3/4 in. No. 12 R.H.B.....

CORDERS

WHEN ORDERING CORDERS OR PARTS THEREOF, STATE SIZE

OR NUMBER OF CORDS TO THE INCH

CORDER (Adjustable)

FOR SHORT TURNS ON CUSHIONS

No.	Plate	Name
26795	24063	Cord Guide.....
26796	24063	" " Arm.....
1044D	24063	" " Hinge Screw.....
120208	24063	" " Bed with 457AL.....
457AL	24063	" " Leveling Screw.....
190J	24063	" " Screw.....
120207	24063	Corder complete, Nos. 190J, 1044D, 26795, 26796 and 120206.....
121446	24063	Feed Dog (spiked teeth) 13 teeth (10 teeth to the inch) for 26605XC...
120208	24063	Presser Foot (grooved).....
26605XC	24063	Throat Plate, large needle hole, for 121446.....

CORDER (Adjustable)

FOR CUSHIONS

No.	Plate	Name
26795	24067	Cord Guide.....
26796	24067	" " Arm.....
1044D	24067	" " Hinge Screw.....
28644	24067	" " Bed.....
190J	24067	" " Screw.....
28645	24067	Corder complete, Nos. 190J, 1044D, 26795, 26796 and 28644.....
35562	24067	Presser Foot for 28645.....

EDGE FOLDERS ON SHANK

No.	Plate	Name
28649	24068	Edge Folder on Shank.....
35175	24069	Edge Folder on Shank.....
12450	24069	Feed Dog, 11 teeth (18 teeth to the inch) for 12451 and 12464, for 35175.....
35176	24069	Presser Foot, for 35175.....
12464XC	-----	Throat Plate, large needle hole, for 12450, for 35175.....
12451XC	24069	Throat Plate, small needle hole, for 12450, for 35175.....

FEED DOGS

FOR 31-15 MACHINE

No.	Plate	Name
12455	24070	Feed Dog, 13 teeth (14 teeth to the inch) for shirt work, beveled for hemmer, for 12456 and 20398.....
12468	24070	Feed Dog, 16 teeth (16 teeth to the inch) for shirt work, beveled for hemmer, for 139616 and 139617....
20471	24070	Feed Dog, 22 teeth (22 teeth to the inch) for shirt work, beveled for hemmer, for 139616 and 139617....

FOR 31-20 MACHINE

No.	Plate	Name
20147	24060	Feed Dog, 12 teeth (14 teeth to the inch) for 19412 and 19413.....
44156	24060	Feed Dog, 24 teeth (24 teeth to the inch) for 19418 and 19419.....
44177	24060	Feed Dog, 19 teeth (22 teeth to the inch) for 19412 and 19413.....
20158	24060	Feed Dog, 16 teeth (16 teeth to the inch) for shirt work, for 19418 and 19419.....

FOR 31-15 AND 31-20 MACHINES

No.	Plate	Name
12481	24067	Feed Dog, 18 teeth (16 teeth to the inch) for 12482 and 12483.....
43978	24067	Feed Dog, 24 teeth (22 teeth to the inch) for 12482 and 12483.....
12450	24067	Feed Dog, 11 teeth (18 teeth to the inch) for cloth, for 12451 and 12464.....
44253	24067	Feed Dog, 16 teeth (16 teeth to the inch) for cloth, for 44255 and 44256.....
20348	24067	Feed Dog, 22 teeth (36 teeth to the inch) for chiffon, for 12451 and 12464.....

FINGER GUARDS

No.	Plate	Name
36818	24071	Finger Guard.....
36819	24071	" " Friction Washer.....
50316J	24071	" " Hinge Screw.....
36820	24071	" " Holder with 196J.....
196J	24071	" " Clamping Screw...
36821	24071	Finger Guard complete, Nos. 36818 to 36820 and 50316J.....
120496	24071	Finger Guard.....
120497	24071	" " Holder with 50302J.....
50302J	24071	" " Set Screw.....
236J	24071	" " Screw.....
120498	24071	Finger Guard complete, Nos. 236J, 120496 and 120497.....
120856	24071	Finger Guard.....
120858	24071	" " Holder with 50302J.....
50302J	24071	" " Screw.....
236J	24071	" " Screw (2).....
120859	24071	Finger Guard complete, Nos. 120856, 120858 and two 236J.....
120857	24071	Finger Guard.....
120858	24071	" " Holder with 50302J.....
50302J	24071	" " Screw.....
236J	24071	" " Screw (2).....
120860	24071	Finger Guard complete, Nos. 120857, 120858 and two 236J.....
121334	24071	Finger Guard.....
120497	24071	" " Holder with 50302J.....
50302J	24071	" " Set Screw.....
236J	24071	" " Screw.....
121335	24071	Finger Guard complete, Nos. 236J, 120497 and 121334.....
121618	24071	Finger Guard.....
120858	24071	" " Holder with 50302J.....
50302J	24071	" " Screw.....
236J	24071	" " Screw (2).....
121619	24071	Finger Guard complete, when machine is fitted with a Roller Presser, Nos. 120858, 121618 and two 236J.

GUIDES

No.	Plate	Name
25866	22337	Guide, for throat plate flush with bed.....
25874	22337	Guide, for throat plate raised above bed.....
25873	22337	Guide (combination).....
28658	22337	" (roller) with 1852.....
1852	22337	" Roller.....
284W	22337	" Thumb Screw (long).....
50190W	24063	" " " (short).....
3146	22337	" " " Washer for 25873...

GUIDE (Adjustable, Hinged)

28971	22337	Guide.....
28972	22337	" " Holder.....
35610	22337	" " Friction Washer.....
940W	22337	" " Hinge Screw.....
120427	22337	" " Shank.....
51224W	22337	" " Thumb Screw.....
7071	22337	" " Washer.....
120428	22337	Guide (adjustable, hinged) complete, Nos. 940W, 7071, 28971, 28972, 35610, 51224W and 120427.....

HEMMERS

HEMMER WITH LEVER FOR OPENING THE FOLDER AND RELEASING THE HEM, SO THAT IT CAN BE FINISHED WITHOUT REMOVING THE HEMMER FROM THE MACHINE. FOR SKIRTS, OVERALLS OR SIMILAR CLOSED ARTICLES.

No.	Plate	Name
28679	24072	Hemmer Bed with 28681.....
28680	-----	" " Folder (left).....
233J	24072	" " " Screw.....
2362	24072	" " " Steady Pin.....
28681	-----	" " (right).....
28685	24072	Hemmer Folder Disengaging Lever.....
94D	24072	" " Hinge Screw.....
2362	24072	Hemmer Folder Disengaging Lever Stop Pin.....
28682	24072	Hemmer Slide with 28687 and two each 2362 and 12152.....
28683	24072	Hemmer Slide Cap (left).....
28684	24072	" " (right).....
207F	24072	" " " Screw (back) (2)...
233J	24072	" " " (front) (2)...
28686	24072	" " Spring.....
28687	24072	" " " Cover.....

HEMMERS

No.	Plate	Name
12152	24072	Hemmer Slide Spring Cover Rivet (2)..
28688	24072	Hemmer complete, Nos. 94D, 28679, 28680, 28682 to 28686, two 207F and 233J.....
190J	24072	Hemmer Screw.....
18055	24072	Presser Foot Hinge Pin.....
28689	24072	" " Plate.....
28690	24072	" " Shank.....
26231	24072	" " Spring.....
28691	24072	Presser Foot (spring hinged) complete, Nos. 18055, 26231, 28689 and 28690..

HEMMERS (Foot)

No.	Plate	Name
120938	24073	Hemmer (foot) for 3/32 in. hem.....
120803	24073	" " " 1/8 in. hem.....
120804	24073	" " " 5/32 in. hem.....
120805	24073	" " " 3/16 in. hem.....
36122	24073	" " " 7/32 in. hem.....
120806	24073	" " " 1/4 in. hem.....
120807	24073	" " " 5/16 in. hem.....
121761	24073	" " " 1/8 in. hem, for hemming shirts.....
121762	24073	Hemmer (foot) for 5/32 in. hem, for hemming shirts.....
121760	24073	Hemmer (foot) for 1/8 in. hem for hemming shirts, for 121758 and 121759.....
121758	24073	Feed Dog, 13 teeth (16 teeth to the inch) for 121759, for 121760.....
121759XC	24073	Throat Plate, small needle hole, for 121758, for 121760.....
35710	24073	Hemmer (foot) for 3/32 in. hem, with guide on bottom to right of needle hole.....
35682	24073	Hemmer (foot) for 1/8 in. hem, with guide on bottom to right of needle hole.....
36524	24073	Hemmer (foot) for 5/32 in. hem, with guide on bottom to right of needle hole.....
35997	24073	Hemmer (foot) for 5/16 in. hem, with guide on bottom to right of needle hole.....
36309	24073	Hemmer (foot) for 7/32 in. hem, with guide on bottom to right of needle hole.....
36072	24073	Hemmer (foot) for 1/4 in. hem, with guide on bottom to right of needle hole.....
120898	24073	Hemmer (foot) for 1/16 in. to 1/8 in. hem, for China silk, etc.....
120911	24073	Hemmer (foot with shell hemmer) for 5/32 in. to 1/4 in. hem, for China silk, etc.....
36413	24073	Hemmer (foot) plain bottom, for 1/16 in. hem.....
36414	24073	Hemmer (foot) plain bottom for 3/32 in. hem.....
36480	24073	Hemmer (foot) plain bottom for 5/32 in. hem.....

HEMMERS

No.	Plate	Name
36416	24073	Hemmer (foot) plain bottom, for 3/16 in. hem.....
120837	24073	Hemmer (foot) plain bottom, for 1/8 in. hem, slotted for lace.....
121801	24064	Hemmer (foot) for 1/8 in. hem, for hemming shirts for 44252, 44256, 52031 and 52032.....
121802	24064	Hemmer (foot) for 5/32 in. hem, for hemming shirts, for 44252, 44256, 52031 and 52032.....
121803	24064	Hemmer (foot) wide folder, for 3/16 in. hem, for hemming shirts, for 44252, 44256, 52031 and 52032....
121804	24064	Hemmer (foot) narrow folder, for 3/16 in. hem, for hemming shirts, for 44252, 44256, 52031 and 52032....
121848	24064	Hemmer (foot) for 3/32 in. hem, for hemming shirts, for 44252, 44256, 52031 and 52032.....
121798	24064	Hemmer (foot) for 1/8 in. hem, for hemming shirts, for 44252, 44256, 52031 and 52032.....
52031	24064	Feed Dog, 19 teeth (22 teeth to the inch) for 52032, for 121801 to 121804, 121798 and 121848.....
52032XC	24064	Throat Plate, large needle hole, for 52031, for 121801 to 121804, 121798 and 121848.....

HEMMERS ON SHANK

No.	Plate	Name
26652	-----	Hemmer, for 3/32 in. hem.....
26654	-----	" Rivet.....
26653	-----	" Shank.....
26655	24074	Hemmer on Shank complete, Nos. 26652 to 26654.....
12450	24074	Feed Dog, 11 teeth (18 teeth to the inch) for 12451 and 12464, for 26655.....
26656	24074	Presser Foot, for 26655.....
12464XC	24067	Throat Plate, large needle hole, for 12450, for 26655.....
12451XC	24074	Throat Plate, small needle hole, for 12450, for 26655.....
26659	-----	Hemmer.....
26660	24074	Hemmer on Shank complete, for 3/32 in. hem, for umbrella work, Nos. 26653, 26654 and 26659.....
26661	-----	Hemmer (wide).....
26662	24074	Hemmer on Shank complete, Nos. 26653, 26654 and 26661.....
26663	-----	Hemmer.....
26664	24074	Hemmer on Shank complete, for raw edge silk, Nos. 26653, 26654 and 26663.....
26665	-----	Hemmer, for 1/8 in. hem.....
26666	24074	Hemmer on Shank complete, Nos. 26653, 26654 and 26665.....
121843	-----	Hemmer.....
28711	24065	Hemmer on Shank with 121843, for 1/8 in. to 1/2 in. hem, for towels...

HEMMERS

No.	Plate	Name
120338	24065	Hemmer.....
1443J	24065	" Screw (2).....
120339	24065	" Shank.....
120340	24065	Hemmer (adjustable) on Shank, complete, for 1/2 in. to 2 in. hem, Nos. 120338, 120339 and two 1443J.....
28627	24072	Hemmer on Shank, for 1/8 in. to 5/8 in. gauges, for Marseilles quilts.....
28628	24072	Presser Foot for 28627.....
35241	22943	Hemmer on Shank, for Canton flannel, etc.....
19474	22943	Feed Dog, 14 teeth (16 teeth to the inch) for 19475, for 35241.....
35066	22943	Presser Foot for 35241.....
7298	22943	" " Hinge Pin.....
120143	22943	" " Plate.....
19335	22943	" " Shank.....
120144	22943	Presser Foot (hinged) complete, for 35241, Nos. 7298, 19335 and 120143.....
19475XC	22943	Throat Plate, large needle hole, for 19474, for 35241.....
35863	22943	Hemmer on Shank, for canvas work.....
26603	22943	Feed Dog, 20 teeth (16 teeth to the inch) for 26605, for 35863.....
35066	22943	Presser Foot, for 35863.....
26605XC	22943	Throat Plate, large needle hole, for 26603, for 35863.....
28650	24065	Hemmer on Shank, for hemming heavy Canton Flannel.....
28653	24074	Hemmer on Shank, for 2 9/16 in. to 3 in. hem.....
28710	24068	Hemmer on Shank, for 1/8 in. hem.....
28721	24068	" " 1 1/4 in. to 2 in. hem.....
35475	24068	Hemmer on Shank, for 5/32 in. hem, with right hand lower guide, for lace.....
36776	24065	Hemmer on Shank, for 2 1/4 in. to 3 in. hem.....

HEMSTITCHER

No.	Plate	Name
28671	24067	Hemstitcher.....

KNEE LIFTER PARTS

No.	Plate	Name
5596	22305	Bell Crank.....
56848	-----	" " 5596 with 5599 and 5601.....
5599	22305	" " Bracket.....
178E	22305	" " Screw (2).....
5601	22305	" " Hinge Pin.....
5735	22305	" " Spring.....
5598	22305	Bell Crank complete, Nos. 5735 and 56848.....
12237	22305	Lifting Lever with 448AL.....
12415	22305	" " Connecting Rod.....
12416	22305	" " " Joint.....

KNEE LIFTER PARTS

No.	Plate	Name
76D	22305	Lifting Lever Connecting Rod Joint Hinge Screw.....
1521J	22305	Lifting Lever Connecting Rod Lock Nut.....
802D	22305	" " Hinge Screw.....
12241	22306	" " Link.....
766E	22306	" " Hinge Screw.....
12240	22305	" " Pin.....
448AL	22305	" " Set Screw.....
2763	22338	Rock Shaft.....
139633	-----	" " 2763 with 2770, 6337 and 139623.....
127312	22338	Rock Shaft Hanger (back) with two wood screws 1 in. No. 10 F.H., for 139624.....
12242	22338	Rock Shaft Hanger (front) with two wood screws 1 in. No. 10 F.H., for 139624.....
7539	22338	Rock Shaft Hanger with two wood screws 1 in. No. 10 F.H., for 139625 (2).....
2765	22338	Rock Shaft Knee Arm.....
2766	22338	" " " Hub with 356C.....
356C	22338	" " " Set Screw.....
2768	-----	Rock Shaft Knee Arm complete, Nos. 2765 to 2767.....
2767	22338	Rock Shaft Knee Plate with 356C.....
356C	22338	" " Set Screw.....
6337	22338	" " Lifting Bracket with two 356C.....
139623	22338	Rock Shaft Lifting Bracket Hook.....
356C	22338	" " Set Screw.....
356C	22338	Rock Shaft Lifting Bracket Set Screw.....
2770	22338	" " Stop Dog with 140219C.....
140219C	22338	" " Set Screw.....
139624	22338	Rock Shaft complete, for 139626, Nos. 2768, 12242, 127312 and 139633.....
139625	22338	Rock Shaft complete, for 139627, Nos. 2768, 139633 and two 7539.....
139626	-----	Knee Lifter complete (power table) Nos. 76D, 766E, 802D, 1521J, 5598, 12237, 12240, 12241, 12415, 12416, 139624 and two 178E.....
139627	-----	Knee Lifter complete (individual motor and foot power stands) Nos. 76D, 766E, 802D, 1521J, 5598, 12237, 12240, 12241, 12415, 12416, 139625 and two 178E.....

LAP SEAM FELLER

No.	Plate	Name
28673	24072	Lap Seam Feller (right hand) on Shank, to fold top only.....
28674	24072	Lap Seam Guide on Shank.....

2930-4

MACHINE BASE

No.	Plate	Name
19219	22309	Bed Frame Cushion (leather) (4).....
158C	22309	" " " Screw (8).....
19220	22309	" " " Spring (4).....
19226	22309	" " " Hinge Connection (2).....
19398	-----	" " " " 19226 with 211E and 19397 (2).....
19397	22309	Bed Frame Hinge Connection Cap (2)....
211E	22309	" " " " Screw (2).....
16555	22309	Bed Frame Hinge Plate (2).....
14010	22309	" " " " Rivet (6).....
20067	22309	Bed Frame with two each 16555, 19398, four each 19219, 19220, six each 14010, wood screws 1 1/4 in. No. 12 and eight 158C.....

PIPING ATTACHMENT

No.	Plate	Name
44253	24061	Feed Dog, 16 teeth (16 teeth to the inch) for cloth, for 44255 and 44256.....
120977	24061	Piping Attachment.....
1443J	24061	" " " " Screw.....
35245	24061	Piping Attachment complete, for piping house dresses, Nos. 1443J and 120977.....
52056	24061	Presser Foot.....
44256XC	24061	Throat Plate, large needle hole, for 44253.....
44255XC	-----	Throat Plate, small needle hole, for 44253.....

PRESSER FEET

No.	Plate	Name
12258	24075	Presser Foot (wide) for 44252 and 44253.....
12335	24075	Presser Foot (narrow) for 44252 and 44253.....
12142	24075	Presser Foot for 12455, 12468, 12481, 20158, 20471, 24978 and 44156.....
12144	24075	Presser Foot for 12455, 12468, 12481, 20147, 20158, 20471, 43978 and 44156.....
12259	24075	Presser Foot, for 12455, 12468, 12481, 20158, 20471, 43978 and 44156.....
12260	24075	Presser Foot, for 12450, 12455, 12468, 12481, 20147, 20158, 20348, 20471, 43978 and 44156.....
12261	24075	Presser Foot, for 12455, 12468, 12481, 20158, 20471, 43978 and 44156.....
12474	24075	Presser Foot, for 12455, 12468, 12481, 20158, 20471, 43978 and 44156.....
20020	24075	Presser Foot, for 12455, 12468, 12481, 20158, 20471, 43978 and 44156.....

No.	Plate	Name
20342	24075	Presser Foot, for 12450, 12455, 12468, 12481, 20158, 20348, 20471, 43978 and 44156.....
20343	24075	Presser Foot with guide on bottom to right of needle hole for 12450, 12455, 12468, 12481, 20158, 20348, 20471, 43978, 44156, 44252 and 44253.....
20458	24075	Presser Foot, for 12455, 12468, 12481, 20158, 20471, 43978 and 44156.....
121941	24075	Presser Foot for No. 5 Slide Fastener, for stitching at right or left of slide fastener, for heavy woolen suiting and dresses, for 12455, 12468, 12481, 20158, 20471, 43978 and 44156.....
7298	24075	Presser Foot Hinge Pin.....
19334	24075	" " " Plate.....
19335	24075	" " " Shank.....
19336	24075	Presser Foot (hinged) complete, for 12455, 12468, 12481, 20158, 20471, 43978 and 44156, Nos. 7298, 19334 and 19335.....
7298	24075	Presser Foot Hinge Pin.....
20268	24075	" " " Plate.....
20269	24075	" " " Shank.....
20270	24075	Presser Foot (hinged) complete, for 44252 and 44253, Nos. 7298, 20268 and 20269.....
62527	24075	Presser Foot Hinge Pin.....
20310	24075	" " " Plate.....
19223	24075	" " " Shank.....
20311	24075	Presser Foot (hinged) complete, for 12455, 12468, 12481, 20147, 20158, 20471, 43978 and 44156, Nos. 19223, 20310 and 62527.....
62527	24075	Presser Foot Hinge Pin.....
20344	24075	" " " Plate.....
20345	24075	" " " Shank.....
26231	24075	" " " Spring.....
20346	24075	Presser Foot (spring hinged) complete, for 12455, 12468, 12481, 20147, 20471 and 43978, Nos. 20344, 20345, 26231 and 62527.....
62527	24075	Presser Foot Hinge Pin.....
24544	24075	" " " Plate.....
24982	24075	" " " Shank.....
26231	24075	" " " Spring.....
24983	24075	Presser Foot (spring hinged) complete, for 12455, 12468, 12481, 20158, 20471, 43978 and 44156, Nos. 24544, 24982, 26231 and 62527.....
62527	24075	Presser Foot Hinge Pin.....
121943	24075	" " " Plate.....
121944	24075	" " " Shank.....
121945	24075	" " " Spring.....
121946	24075	Presser Foot complete, for No. 5 Slide Fastener, for stitching at right or left of slide fastener, for crossing seams, for 12455, 12468, 12481, 20158, 20471, 43978 and 44156, Nos. 62527 and 121943 to 121945.....

RUFFLER

No.	Plate	Name
2301	24068	Ruffling Blade Lever Disengaging Lever Stop Pin.....
26679	24068	Separating Blade.....
662J	24068	" " Screw (4).....
26724	24068	Ruffler complete, Nos. 102J, 223J, 812B, 1101C, 1621J, 1640C, 2301, 26668 to 26671, 26675, 26676, 26678, 26719, 26722, 26723 and two 337J.....

THROAT PLATES

FOR 31-15 MACHINE

No.	Plate	Name
20398XC	24070	Throat Plate, large needle hole, for 12455.....
12456XC	-----	Throat Plate, small needle hole, for 12455.....
139616XC	24070	Throat Plate, large needle hole, for 12468 and 20471.....
139617XC	-----	Throat Plate, small needle hole, for 12468 and 20471.....

FOR 31-20 MACHINE

No.	Plate	Name
19412XC	24060	Throat Plate, large needle hole, for 20147 and 44177.....
19413XC	-----	Throat Plate, small needle hole, for 20147 and 44177.....
19418XC	24060	Throat Plate, large needle hole, for 20158 and 44156.....
19419XC	-----	Throat Plate, small needle hole, for 20158 and 44156.....

FOR 31-15 AND 31-20 MACHINES

No.	Plate	Name
12464XC	24067	Throat Plate, large needle hole, for 12450 and 20348.....
12451XC	24069	Throat Plate, small needle hole, for 12450 and 20348.....
12482XC	24067	Throat Plate large needle hole, for 12481 and 43978.....
12483XC	-----	Throat Plate, small needle hole, for 12481 and 43978.....
44255XC	24067	Throat Plate, small needle hole, for 44252 and 44253.....

TUCKER

No.	Plate	Name
36655	24069	Driving Lever.....
36656	24069	" " Hinge Stud.....
36657	24069	" " Lock Spring.....
36658	24069	" " Rivet (2).....
120500	24069	Frame.....

TUCKER

No.	Plate	Name
26718	24069	Needle Clamp Body.....
1943	24069	" " Roller.....
1115F	24069	" " Screw.....
26719	24069	Needle Clamp complete, Nos. 1115F, 1943 and 26718.....
36660	24069	Tuck Guide.....
50238B	24069	" " Thumb Screw.....
36661	24069	" " Washer.....
36662	24069	" Marker (lower).....
36663	-----	" " 36662 with 36664 and two 36648.....
36664	24069	Tuck Marker (upper).....
120572	24069	" " Clamping Plate.....
50238B	24069	" " Thumb Screw.....
36648	24069	Tuck Marker Rivet (2).....
36667	24069	" Smoothing Spring.....
86354	24069	" Rivet (2).....
36561	24069	Tucker complete, Nos. 26719, 36655 to 36657, 36660, 36661, 36663, 36667, 120500, 120572 and two each 36658, 50238B and 86354.....

OBSOLETE PARTS

No.	Plate	Name
12403	24077	Arm Spool Pin and Thread Eyelet, use 52239.....
29599	24077	Arm Oil Tube Packing (felt) for 11119, 12454 and 24131.....
44212	24076	Drip Pan with four 1 in. wire nails, use 139622.....
45720	-----	Face Plate Thread Guard (upper) 45874 with 125373, use 139615.....
125373	-----	Face Plate Thread Guard (upper) Rivet
3033	24077	Feed Connecting Link, use 52165.....
120001	24077	Feed Dog (spiked teeth) 12 teeth (10 teeth to the inch) superseded by 121446, not interchangeable.....
12369	24077	Feed Dog, for cloth, 12 teeth (12 teeth to the inch) superseded by 44252, not interchangeable.....
12457	24077	Feed Dog, for cloth, 16 teeth (16 teeth to the inch) superseded by 44253, not interchangeable.....
24036	24077	Feed and Feed Lifting Eccentric Sleeve, use 127152.....
12374	24077	Feed Lifting Rock Shaft.....
12375	24077	Feed Lifting Rock Shaft complete, Nos. 3043, 12374 and 12376, use 44126.....
3043	24077	Feed Lifting Rock Shaft Crank (back) with 462AL.....
2049	-----	Feed Lifting Rock Shaft Crank (back) Pin.....
462AL	-----	Feed Lifting Rock Shaft Crank (back) Set Screw.....
12430	24077	Feed Lifting Rock Shaft Crank Connecting Rod with two 966E, use 43976.....
878J	24077	Oscillating Rock Shaft Hinge Pin Oil Hole Stop Screw.....
12459	24077	Oscillating Rock Shaft Hinge Pin Oil Hole Stop Screw Washer (leather).
460AL	24077	Oscillating Shaft Crank Set Screw, for 19447.....
229J	-----	Oscillating Shaft Crank Slide Block Cap Screw for 19449.....
2062	24077	Presser Bar Lifter, use 52016.....
2532	24077	Presser Foot Hinge Pin for 20157, 20311 and 20346.....
24545	24077	Presser Foot Shank, use 24982.....
24546	24077	Presser Foot (spring hinged) complete for 12481 and 19474, Nos. 24544, 24545, 26231 and 62527, use 24983.....
24074	-----	Shuttle Bobbin Case complete for 19292, Nos. 591F, 592E, 2975, 15098 and 15141, use 62740.....
462AL	-----	Shuttle Driver Set Screw.....
15098	24077	Shuttle Tension Spring for 24074.....
2921	24077	Tension Disc (2).....
20314	24077	" Releaser.....
29549	24077	" Releasing Lever.....
1018C	-----	" Screw Stud.....
20061	24077	" " " Bushing.....
448AL	-----	" " " Set Screw.....
20062	24077	" " " Flange.....
20063	24077	" " " Collar.....

No.	Plate	Name
2923	24077	Tension Spring.....
210958	-----	Thread Retainer Collar.....
50429AL	24077	" " Set Screw.....
210993	-----	" " Sleeve.....
12400	24077	" " Sleeve.....
52398	24077	" " Spring.....
12401	24077	" " Spring.....
52378	24077	" " Stud.....
12402	24077	" " Stud.....
460AL	24077	" " Set Screw.....
52379	-----	Thread Retainer complete, Nos. 52378, 52398, 210958 and 210993.....
12399	-----	Thread Retainer complete, Nos. 12400 to 12402, use 52379.....
430C	24077	Thread Take-up Lever Link Hinge Pin Set Screw.....
8511	24077	Thread Take-up Spring.....
1241LXC	24077	Throat Plate, large needle hole, for 12369 and 12457, superseded by 44256, not interchangeable.....
12449XC	-----	Throat Plate, small needle hole, for 12369 and 12457, superseded by 44255, not interchangeable.....
12469XC	24077	Throat Plate, large needle hole, for 12468 and 20471, use 139616.....
12470XC	-----	Throat Plate, small needle hole, for 12468 and 20471, use 139617.....

NUMERICAL LIST OF PARTS

No.	Plate	Name
32D	22335	Bobbin Winder Frame Hinge Screw for 12172, 12202 and 20309.....
35D	22333	Bobbin Winder Stop Latch Hinge Screw for 27647 and 27875.....
76D	22305	Lifting Lever Connecting Rod Joint Hinge Screw for 139626 and 139627
94D	24072	Hemmer Folder Disengaging Lever Hinge Screw for 28688.....
102J	24068	Ruffler Ruffling Blade Lever Disengaging Lever Hinge Screw for 26724.....
144D	22303	Arm Shaft Screw.....
145D	22307	Shuttle Race Screw (2).....
152F	24060	Binder Guide (upper) Screw for 26694 (2).....
157J	22305	Feed Lifting Rock Shaft Crank Clamping Screw for 12376.....
157J	22305	Feed Rock Shaft Crank Clamping Screw for 29633.....
158C	22309	Bed Frame Cushion Screw for 20067 (8).....
162D	22332	Belt Guard Extension Screw for 126365.....
178E	22305	Bell Crank Bracket Screw for 139626 and 139627 (2).....
180F	22335	Bobbin Winder Spring Screw for 12172, 12202 and 20309.....
190J	24061	Binder Ribbon Tension Screw for 26250, 26402, 120127, 120437 and 120459.....
190J	22912	Binder Screw.....
190J	24063	Corder Cord Guide Screw, for 28645 and 120207.....
190J	22304	Face Plate Screw.....
190J	24072	Hemmer Screw.....
190J	22306	Presser Foot Screw.....
193J	24062	Binder Folder Screw for 28678 and 28776.....
196J	24071	Finger Guard Holder Clamping Screw, for 36820.....
207F	24061	Binder Folder Screw for 26250, 26402, 120437 and 120459.....
207F	24072	Hemmer Slide Cap Screw (back) for 28688 (2).....
207F	22946	Quilter Guide Holder Set Screw for 25992.....
207F	22946	Quilter Guide Set Screw for 25992...
208AL	22304	Feed Dog Screw (2).....
209C	22946	Quilter Guide Set Screw for 120482 (2).....
210J	22303	Balance Wheel Oil Cover Screw.....
211E	22309	Bed Frame Hinge Connection Cap Screw, for 19398 (2).....
219J	22305	Arm Side Cap Screw.....
220J	22918	Binder Folder Screw for 120127.....
223J	24068	Ruffler Guide Screw for 26724.....
225F	22306	Slack Thread Regulator Adjusting Screw.....
226J	22305	Oscillating Shaft Crank Slide Block Cap Screw for 19449.....

SINGER Needles should be used
in SINGER Machines
These Needles and their Containers
are marked with the
Company's Trade Mark "SIMANCO.**" 1

Needles in Containers marked
"FOR SINGER MACHINES"
are NOT SINGER made needles. 2

OBSOLETE PARTS

No.	Plate	Name
12403	24077	Arm Spool Pin and Thread Eyelet, use 52239.....
29599	24077	Arm Oil Tube Packing (Felt) for 11119, 12454 and 24131.....
44212	24076	Drip Pan with four 1 in. wire nails, use 139622.....
45720	-----	Face Plate Thread Guard (upper) 45874 with 125373, use 139615....
125373	-----	Face Plate Thread Guard (upper) Rivet
3033	24077	Feed Connecting Link, use 52165.....
120001	24077	Feed Dog (spiked teeth) 12 teeth (10 teeth to the inch) superseded by 121446, not interchangeable.....
12369	24077	Feed Dog, for cloth, 12 teeth (12 teeth to the inch) superseded by 44252, not interchangeable.....
12457	24077	Feed Dog, for cloth, 16 teeth (16 teeth to the inch) superseded by 44253, not interchangeable.....
24036	24077	Feed and Feed Lifting Eccentric Sleeve, use 127152.....
12374	24077	Feed Lifting Rock Shaft.....
12375	24077	Feed Lifting Rock Shaft complete, Nos. 3043, 12374 and 12376, use 44126.
3043	24077	Feed Lifting Rock Shaft Crank (back) with 462AL.....
2049	-----	Feed Lifting Rock Shaft Crank (back) Pin.....
462AL	-----	Feed Lifting Rock Shaft Crank (back) Set Screw.....
12430	24077	Feed Lifting Rock Shaft Crank Connecting Rod with two 966E, use 43976.....
878J	24077	Oscillating Rock Shaft Hinge Pin Oil Hole Stop Screw.....
12459	24077	Oscillating Rock Shaft Hinge Pin Oil Hole Stop Screw Washer (leather).
460AL	24077	Oscillating Shaft Crank Set Screw, for 19447.....
229J	-----	Oscillating Shaft Crank Slide Block Cap Screw for 19449.....
2062	24077	Presser Bar Lifter, use 52016.....
2532	24077	Presser Foot Hinge Pin for 20157, 20311 and 20346.....
24545	24077	Presser Foot Shank, use 24982.....
24546	24077	Presser Foot (spring hinged) complete for 12481 and 19474, Nos. 24544, 24545, 26231 and 62527, use 24983.....
24074	-----	Shuttle Bobbin Case complete for 19292, Nos. 591F, 592E, 2975, 15098 and 15141, use 62740.....
462AL	-----	Shuttle Driver Set Screw.....
15098	24077	Shuttle Tension Spring for 24074.....
2921	24077	Tension Disc (2).....
20314	24077	" Releaser.....
29549	24077	" Releasing Lever.....
1018C	-----	" Screw Stud.....
20061	24077	" " " Bushing.....
448AL	-----	" " " Set Screw.....
20062	24077	" " " Flange.....
20063	24077	" " " Collar.....

OBSOLETE PARTS

No.	Plate	Name
2923	24077	Tension Spring.....
210958	-----	Thread Retainer Collar.....
50429AL	24077	" " Set Screw.....
210993	-----	" " Sleeve.....
12400	24077	" " Sleeve.....
52398	24077	" " Spring.....
12401	24077	" " Spring.....
52378	24077	" " Stud.....
12402	24077	" " Stud.....
460AL	24077	" " Set Screw.....
52379	-----	Thread Retainer complete, Nos. 52378, 52398, 210958 and 210993.....
12399	-----	Thread Retainer complete, Nos. 12400 to 12402, use 52379.....
430C	24077	Thread Take-up Lever Link Hinge Pin Set Screw.....
8511	24077	Thread Take-up Spring.....
12411XC	24077	Throat Plate, large needle hole, for 12369 and 12457, superseded by 44256, not interchangeable.....
12449XC	-----	Throat Plate, small needle hole, for 12369 and 12457, superseded by 44255, not interchangeable.....
12469XC	24077	Throat Plate, large needle hole, for 12468 and 20471, use 139616.....
12470XC	-----	Throat Plate, small needle hole, for 12468 and 20471, use 139617.....

NUMERICAL LIST OF PARTS

No.	Plate	Name
32D	22335	Bobbin Winder Frame Hinge Screw for 12172, 12202 and 20309.....
35D	22333	Bobbin Winder Stop Latch Hinge Screw for 27647 and 27875.....
76D	22305	Lifting Lever Connecting Rod Joint Hinge Screw for 139626 and 139627
94D	24072	Hemmer Folder Disengaging Lever Hinge Screw for 28688.....
102J	24068	Ruffler Ruffling Blade Lever Disengaging Lever Hinge Screw for 26724.....
144D	22303	Arm Shaft Screw.....
145D	22307	Shuttle Race Screw (2).....
152F	24060	Binder Guide (upper) Screw for 26694 (2).....
157J	22305	Feed Lifting Rock Shaft Crank Clamping Screw for 12376.....
157J	22305	Feed Rock Shaft Crank Clamping Screw for 29633.....
158C	22309	Bed Frame Cushion Screw for 20067 (8).....
162D	22332	Belt Guard Extension Screw for 126365.....
178E	22305	Bell Crank Bracket Screw for 139626 and 139627 (2).....
180F	22335	Bobbin Winder Spring Screw for 12172, 12202 and 20309.....
190J	24061	Binder Ribbon Tension Screw for 26250, 26402, 120127, 120437 and 120459.....
190J	22912	Binder Screw.....
190J	24063	Corder Cord Guide Screw, for 28645 and 120207.....
190J	22304	Face Plate Screw.....
190J	24072	Hemmer Screw.....
190J	22306	Presser Foot Screw.....
193J	24062	Binder Folder Screw for 28678 and 28776.....
196J	24071	Finger Guard Holder Clamping Screw, for 36820.....
207F	24061	Binder Folder Screw for 26250, 26402, 120437 and 120459.....
207F	24072	Hemmer Slide Cap Screw (back) for 28688 (2).....
207F	22946	Quilter Guide Holder Set Screw for 25992.....
207F	22946	Quilter Guide Set Screw for 25992...
208AL	22304	Feed Dog Screw (2).....
209C	22946	Quilter Guide Set Screw for 120482 (2).....
210J	22303	Balance Wheel Oil Cover Screw.....
211E	22309	Bed Frame Hinge Connection Cap Screw, for 19398 (2).....
219J	22305	Arm Side Cap Screw.....
220J	22918	Binder Folder Screw for 120127.....
223J	24068	Ruffler Guide Screw for 26724.....
225F	22306	Slack Thread Regulator Adjusting Screw.....
226J	22305	Oscillating Shaft Crank Slide Block Cap Screw for 19449.....

SINGER Needles should be used
in SINGER Machines
These Needles and their Containers
are marked with the
Company's Trade Mark "SIMANCO.**" 1

Needles in Containers marked
"FOR SINGER MACHINES"
are NOT SINGER made needles. 2

NUMERICAL LIST OF PARTS

No.	Plate	Name
229J	-----	Oscillating Shaft Crank Slide Block Cap Screw for 19449, obsolete....
233J	24062	Binder Ribbon Tension Screw for 28678 and 28776 (2).....
233J	24072	Hemmer Folder (left) Screw for 28688
233J	24072	Slide Cap Screw, (front) for 28688 (2).....
233D	22306	Needle Bar Thread Guard Screw.....
236J	24071	Finger Guard Screw for 120498, 120859, 120860, 121335 and 121619
248A	22303	Clamp Stop Motion Clamp Stop Screw for 3022.....
256J	22303	Clamp Stop Motion Clamp Screw for 3022 and 56827.....
284W	22337	Guide Thumb Screw (long).....
307C	22305	Feed Lifting Rock Shaft Screw Center for 56814 (2).....
307C	22305	Feed Rock Shaft Screw Center for 56814 (2).....
313C	22305	Feed Bar Screw Center for 56813 (2).
333D	22335	Bobbin Winder Friction Wheel Washer Screw for 12171, 12201 and 20308.
334J	22912	Binder Pressure Spring Screw for 25650, 25653, 25656 and 26694....
337B	22946	Presser Foot Graduated Adjustable Guide Clamp Screw for 35137 and 121949.....
337J	24068	Ruffler Ruffling Blade Clamp Screw for 26724 (2).....
356C	22338	Rock Shaft Knee Arm Hub Set Screw for 2766.....
356C	22338	Rock Shaft Knee Plate Set Screw for 2767.....
356C	22338	Rock Shaft Lifting Bracket Hook Set Screw for 6337.....
356C	22338	Rock Shaft Lifting Bracket Set Screw for 6337.....
375C	22303	Feed Connecting Link Hinge Screw. for 43993 (2).....
375C	22303	Feed Forked Connection Hinge Screw...
375C	22303	Feed Lifting Rock Shaft Crank Con- necting Rod Hinge Screw.....
391J	22307	Shuttle Bobbin Case Position Plate Screw for 24325 and 24415 (2)...
418E	22333	Bobbin Winder Tension Screw Stud for 27308.....
430C	24077	Thread Take-up Lever Link Hinge Pin Set Screw obsolete.....
435AL	22306	Thread Take-up Lever Link Hinge Pin Set Screw.....
443AL	-----	Balance Wheel Set Screw for 139631 (2).....
446AL	22303	Feed and Feed Lifting Eccentric Set Screw for 20283.....
448AL	22303	Arm Shaft Flanged Bushing (back) Set Screw.....
448AL	22303	Balance Wheel Set Screw for 4370 and 12358 (2).....
448AL	22305	Lifting Lever Pin Set Screw for 12237.....
448AL	22303	Oscillating Rock Shaft Hinge Pin Set Screw.....
448AL	-----	Tension Screw Stud Bushing Set Screw, obsolete.....

NUMERICAL LIST OF PARTS

No.	Plate	Name
448AL	22304	Thread Take-up Spring Regulator Set Screw.....
453AL	22306	Needle Bar Connecting Stud Set Screw for 12384.....
453AL	22305	Oscillating Shaft Crank Set Screw for 44135 (2).....
453AL	22306	Presser Bar Guide Bracket Set Screw for 20059.....
457AL	24063	Corder Cord Guide Bed Leveling Screw for 120206.....
457AL	-----	Oscillating Shaft Crank Set Screw for 19447.....
460AL	24077	Oscillating Shaft Crank Set Screw for 19447, obsolete.....
460AL	24077	Thread Retainer Stud Set Screw, obso- lete.....
462AL	22303	Clamp Stop Motion Flanged Bushing Set Screw for 4933 (2).....
462AL	-----	Feed Lifting Rock Shaft Crank (back) Set Screw for 3043, obsolete....
462AL	-----	Shuttle Driver Set Screw, obsolete....
591F	22306	Shuttle Tension Regulating Screw for 20756, 24074 and 62740.....
592E	22306	Shuttle Bobbin Case Latch Stop Screw for 20756, 24074 and 62740.....
602D	22946	Quilter Guide Disengaging Sleeve Spring Screw for 120485.....
624AL	22304	Thread Retainer Set Screw.....
662J	24068	Ruffler Separating Blade Screw for 26670 and 26671 (4).....
665J	22918	Binder Folder Guide Screw for 120120
665J	24075	Presser Foot Braid Guide Screw for 36182.....
665J	24075	Presser Foot Spring Guide Screw for 28726.....
688J	22306	Pressure Regulating Thumb Screw.....
689C	22306	Presser Bar Lifter Screw.....
690E	22303	Thread Take-up Crank Wedge Screw....
691XC	22304	Throat Plate Screw (2).....
692D	22335	Bobbin Winder Bracket Screw, for use with Bobbin Winders 12172, 12202 and 20309.....
725J	22304	Shuttle Race Slide Spring Screw for 12432 (2).....
748E	22307	Arm Screw (back) (2).....
766E	22306	Lifting Lever Link Hinge Screw for 139626 and 139627.....
775E	22306	Thread Take-up Lever Cap Screw for 43990.....
794E	22306	Needle Bar Connecting Link Adjusting Screw for 43997.....
802D	22305	Lifting Lever Hinge Screw for 139626 and 139627.....
808F	22306	Needle Clamp Screw for 4303.....
812B	24068	Ruffler Ruffling Blade Lever Adjust- ing Thumb Screw for 26724.....
818D	22303	Feed Regulator Thumb Screw for 56886
854E	22307	Arm Screw (front) (2).....
858AL	22303	Needle Bar Crank Set Screw for 20188
878J	24077	Oscillating Rock Shaft Hinge Pin Oil Hole Stop Screw, obsolete.....
896AL	22303	Crank Connecting Rod Cap Screw for 20197 (2).....

NUMERICAL LIST OF PARTS

No.	Plate	Name
907D	22307	Shuttle Race Back Spring Screw for 24325 and 24415.....
908C	22303	Crank Connecting Rod Hinge Screw for 139602.....
936E	22306	Needle Bar Screw Bushing (2).....
940W	22337	Guide Holder Hinge Screw for 120428
966E	22303	Feed Lifting Rock Shaft Crank Connecting Rod Cap Screw for 12430 and 43976 (2).....
988C	22305	Oscillating Shaft Crank Slide Block Screw Stud for 19449.....
1018C	-----	Tension Screw Stud, obsolete.....
1044D	24063	Corder Cord Guide Arm Hinge Screw, for 28645 and 120207.....
1053E	22307	Shuttle Race Cap Screw, for 24998 and 25000 (2).....
1065AL	22303	Needle Bar Crank Position Screw for 20188.....
1101C	24068	Ruffler Driving Lever Hinge Screw for 26724.....
1115F	24068	Ruffler Needle Clamp Screw for 26719
1115F	24069	Tucker Needle Clamp Screw for 26719.
1128E	22303	Feed Regulator Hinge Screw.....
1141D	24060	Binder Guide (lower) Screw Stud for 26696.....
1266AL	22305	Shuttle Driver Set Screw for 12444 and 19406 (2).....
1443J	24065	Hemmer Screw, for 120340 (2).....
1443J	24061	Piping Attachment Screw for 35245...
1480D	22332	Belt Guard Retaining Screw for 126365.....
1513J	22305	Feed Lifting Rock Shaft Screw Center Nut for 56814 (2).....
1513J	22305	Feed Rock Shaft Screw Center Nut for 56814 (2).....
1518J	22303	Feed Connecting Link Hinge Screw Nut for 43993 (2).....
1518J	22303	Feed Forked Connection Hinge Screw Nut.....
1518J	22303	Feed Lifting Rock Shaft Crank Connecting Rod Hinge Screw Nut.....
1518E	22305	Oscillating Shaft Crank Slide Block Screw Stud Nut for 19447 and 44135.....
1519J	22305	Feed Bar Screw Center Nut for 56813 (2).....
1520J	22306	Presser Bar Lifter Screw Nut.....
1521J	22305	Lifting Lever Connecting Rod Lock Nut for 139626 and 139627.....
1560C	22304	Tension Regulating Thumb Nut for 44141.....
1562J	22333	Bobbin Winder Tension Regulating Thumb Nut for 27308.....
1566D	24060	Binder Guide (lower) Thumb Nut for 26694.....
1577D	22912	Binder Folder Guide (upper) Thumb Nut for 25650, 25653 and 25656..
1619E	22303	Crank Connecting Rod Hinge Screw Nut.
1620J	22333	Bobbin Winder Frame Hinge Screw Nut for 27647 and 27875.....
1621J	24068	Ruffler Ruffling Blade Lever Adjusting Thumb Screw Nut for 26724....
1640C	24068	Ruffler Driving Lever Spring Adjusting Nut for 26724.....

NUMERICAL LIST OF PARTS

No.	Plate	Name
1813	22305	Feed Lifting Rock Shaft Crank Roller and Stud for 12376.....
1852	22337	Guide Roller for 28658.....
1904	22306	Needle Bar Connecting Stud Roller (roller only) for 12384.....
1943	24068	Ruffler Needle Clamp Roller for 26719
1943	24069	Tucker Needle Clamp Roller for 26719.
2020	22303	Clamp Stop Motion Clamp Washer for 3022.....
2022	-----	Clamp Stop Motion Flanged Bushing Pin
2049	-----	Feed Lifting Rock Shaft Crank (back) Pin, obsolete.....
2049	-----	Oscillating Shaft Crank Pin.....
2049	-----	Shuttle Driver Pin.....
2062	24077	Presser Bar Lifter, obsolete, use 52016.....
2102	23253	Bobbin Winder Tension Disc for 225462 (2).....
2102	22304	Tension Disc, for 44118 (2).....
2106	22333	Bobbin Winder Tension Thread Guide for 27308.....
2135	22303	Balance Wheel (stand) heavy rim, 2 1/2 in. pulley, for 3022.....
2301	24068	Ruffler Ruffling Blade Lever Disengaging Lever Stop Pin for 26724..
2362	24072	Hemmer Folder Disengaging Lever Stop Pin for 28682.....
2362	24072	Hemmer Folder (left) Steady Pin for 28682.....
2419	22317	Shuttle Race Back for 24325.....
2455	22333	Bobbin Winder Tension Disc for 27308 (2).....
2531	22307	Shuttle Race Back, for 24415.....
2532	24077	Presser Foot Hinge Pin for 20311 and 20346, obsolete.....
2532	22307	Shuttle Race Back Position Pin for 24962 and 24999 (2).....
2533	22307	Shuttle Race Back Spring for 24325 and 24415.....
2763	22338	Rock Shaft for 139633.....
2765	22338	Rock Shaft Knee Arm for 2768.....
2766	22338	Rock Shaft Knee Arm Hub with 356C for 2768.....
2767	22338	Rock Shaft Knee Plate with 356C for 2768.....
2768	-----	Rock Shaft Knee Arm complete, for 139624 and 139625, Nos. 2765 to 2767.....
2770	22338	Rock Shaft Stop Dog with 140219C, for 139633.....
2862	-----	Balance Wheel (stand) heavy rim, 3 in. pulley for 3022.....
2921	24077	Tension Disc, obsolete (2).....
2923	24077	Tension Spring, obsolete.....
2973	22306	Shuttle Bobbin Case Latch Lever, for 15141 and 20650.....
2974	22306	Shuttle Bobbin Case Latch Lever Fulcrum Pin for 15141, and 20650.
2975	22306	Shuttle Bobbin Case Latch Spring, for 20756, 24074 and 62740.....
2996	22306	Shuttle Bobbin, for 19292.....
3022	22303	Clamp Stop Motion complete, Nos. 248A, 256J, 2020 and 4933.....

No.	Plate	Name
3023	-----	Clamp Stop Motion Flanged Bushing, for 4933 and 56827.....
3033	24077	Feed Connecting Link, obsolete, use 52165.....
3039	22303	Feed Regulator for 56886.....
3043	24077	Feed Lifting Rock Shaft Crank (back) with 462AL, for 12375.....
3094	22303	Thread Take-up Crank Wedge.....
3146	23249	Binder Thumb Screw Washer for 121168..
3146	22337	Guide Thumb Screw Washer for 25873..
4302	22306	Needle Bar Thread Guard.....
4303	22306	Needle Clamp with 808F.....
4307	22304	Shuttle Race Slide Spring, for 12432..
4370	-----	Balance Wheel (stand) heavy rim, 2 3/4 in. pulley, with two 448AL.
4784	22303	Oscillating Rock Shaft Oil Pad for 24105.....
4822	24059	Wrench for 1521, (Attachments and Accessories).....
4933	22303	Clamp Stop Motion Flanged Bushing 3023 with two 462AL for 3022....
5596	22305	Bell Crank, for 56848.....
5598	22305	Bell Crank complete, for 139626 and 139627, Nos. 5735 and 56848.....
5599	22305	Bell Crank Bracket for 56848.....
5601	22305	Bell Crank Hinge Pin for 56848.....
5735	22305	Bell Crank Spring, for 5598.....
5960	22335	Bobbin Winder Friction Wheel (leather) for 12171, 12201 and 20308.....
5961	22335	Bobbin Winder Friction Wheel Washer, for 12171, 12201 and 20308.....
5963	22335	Bobbin Winder Sprindple Flange for 12171, 12201 and 20308.....
6337	22338	Rock Shaft Lifting Bracket with two 356C, for 139633.....
7071	24060	Binder Guide (upper) Screw Washer for 26694 (2).....
7071	24061	Binder Folder Screw Washer for 26250, 26402, 28678, 28776, 120437 and 120459.....
7071	22912	Binder Pressure Spring Screw Washer for 25650, 25653, 25656 and 26694.....
7071	24061	Binder Ribbon Tension Screw Washer for 26250, 26402, 120127, 120437 and 120459.....
7071	22337	Guide Thumb Screw Washer for 120428..
7298	24064	Presser Foot Hinge Pin for 19336, 20270 and 120144.....
7336	22304	Thread Take-up Spring Regulator for 44118.....
7539	22338	Rock Shaft Hanger with two wood screws 1 in. No. 10 F.H. for 139625 (2).....
7806	22918	Binder Folder Screw Washer for 120127.....
8418	22343	Belt Guard Button, for 8420.....
8419	22343	Belt Guard Button Washer (leather) for 8420.....
8420	-----	Belt Guard Button 8418 with 8419 and wood screw 1 1/4 in. No. 9 R.H.B.
8511	24077	Thread Take-up Spring, obsolete.....
8582	22307	Arm Dowel Pin.....

No.	Plate	Name
8879	22307	Arm Spool Pin Washer (cloth).....
8879	23249	Tape Reel Disc Pin Washer (cloth) for 121412.....
8908	24059	Wrench for 1519, 1520 and 1620 (Attachments and Accessories)....
8909	24059	Wrench for 1513 and 1518 (Attachments and Accessories).....
9331	22332	Belt Guard Extension Screw Washer, for 126365.....
9558	24060	Binder Folder Steady Pin for 26695..
9780	24060	Binder Guide (lower) Stud for 26696..
10141	22333	Bobbin Winder Tension Spring for 27308.....
11119	22307	Arm Oil Tube with 52045, for oiling 12408.....
11167	22306	Presser Bar Spring (light) .051 wire. Note: No. 11167 is sent with these machines unless another Spring is specified on order.
11170	22306	Presser Bar Spring Washer.....
11204	22306	Thread Take-up Lever Link Hinge Pin for 43990.....
11241	22333	Bobbin Winder Spool Pin Washer (cloth) for 27308.....
12139	-----	Presser Bar Spring (medium) .055 wire
12142	24075	Presser Foot for 12455, 12468, 12481, 20158, 20471, 43978 and 44156....
12143	22306	Presser Foot for 44252 and 44253....
12144	24075	Presser Foot for 12455, 12468, 12481, 20147, 20158, 20471, 43978 and 44156.....
12150	22304	Face Plate Thread Guard (lower) with 12152, for 20058.....
12152	22304	Face Plate Thread Guard (lower) Rivet for 12150.....
12152	24072	Hemmer Slide Spring Cover Rivet for 28682 (2).....
12166	22306	Thread Take-up Lever Hinge Pin for 12410.....
12168	22335	Bobbin Winder Bracket for 12172, 12202 and 20309.....
12169	22335	Bobbin Winder Frame for 12171 and 12201.....
12170	22335	Bobbin Winder Spring for 12172, 12202 and 20309.....
12171	22335	Bobbin Winder Frame complete, for 12172, Nos. 333D, 5960, 5961, 5963, 12169 and 15077.....
12172	22335	Bobbin Winder complete, for 4370, Nos. 32D, 180F, 12168, 12170, 12171..
12193	22307	Arm Side Cover.....
12201	22335	Bobbin Winder Frame complete, for 12202, Nos. 333D, 5960, 5961, 5963, 12169 and 15077.....
12202	22335	Bobbin Winder complete, for 2135 and 2862, Nos. 32D, 180F, 12168, 12170 and 12201.....
12237	22305	Lifting Lever with 448AL, for 139626 and 139627.....
12240	22305	Lifting Lever Pin for 139626 and 129627.....
12241	22306	Lifting Lever Link for 139626 and 139627.....
12242	22338	Rock Shaft Hanger (front) with two wood screws 1 in. No. 10 F.H. for 139624.....

NUMERICAL LIST OF PARTS

No.	Plate	Name
12258	24075	Presser Foot (wide) for 44252 and 44253.....
12259	24075	Presser Foot for 12455, 12468, 12481, 20158, 20471, 43978 and 44156.....
12260	24075	Presser Foot for 12450, 12455, 12468, 12481, 20147, 20158, 20348, 20471, 43978 and 44156.....
12261	24075	Presser Foot for 12455, 12468, 12481, 20158, 20471, 43978 and 44156.....
12327	22306	Presser Bar Lifting and Releasing Lever Bracket.....
12329	22304	Tension Releasing Lever Spring.....
12335	24075	Presser Foot (narrow) for 44252 and 44253.....
*12355	-----	Arm with 15404 and two 15405.....
12357	22303	Arm Shaft Flanged Bushing (back).....
12358	22303	Balance Wheel (power) light rim, 2 3/16 in. pulley, with two 448AL.....
*12360	-----	Bed.....
12361	24059	Machine Hinge Connection (Attachments and Accessories) (2).....
12368	22305	Feed Bar.....
12369	24077	Feed Dog, for cloth, 12 teeth (12 teeth to the inch) obsolete, superseded by 44252, not interchangeable.....
12370	24062	Feed Dog, 15 teeth (16 teeth to the inch) for 28775, for 28776.....
12374	24077	Feed Lifting Rock Shaft for 12375, obsolete.....
12375	24077	Feed Lifting Rock Shaft complete, Nos. 3043, 12374 and 12376, obsolete use 44126.....
12376	22305	Feed Lifting Rock Shaft Crank with 157J and 1813, for 12375 and 44126.....
12379	22305	Feed Rock Shaft for 20333.....
12381	22306	Needle Bar (hollow).....
12384	22306	Connecting Stud with 453AL and 1904, for 43997.....
12388	22303	Oscillating Rock Shaft Hinge Pin for 24105.....
12389	22305	Oscillating Shaft.....
12391	22306	Presser Bar (hollow).....
12393	22306	Shuttle Body for 19292.....
12398	22304	Tension Releasing Lever Hinge Pin.....
12399	-----	Thread Retainer complete, Nos. 12400 to 12402, obsolete, use 52379.....
12400	24077	Thread Retainer Sleeve, for 12399, obsolete.....
12401	24077	Thread Retainer Spring for 12399, obsolete.....
12402	24077	Thread Retainer Stud for 12399, obsolete.....
12403	24077	Arm Spool Pin and Thread Eyelet, obsolete, use 52239.....
12404	22306	Thread Take-up Crank for 43990.....
12408	22306	Thread Take-up Lever for 12410.....
12409	22306	Thread Take-up Lever Link for 12410.....
12410	-----	Thread Take-up Lever complete, for 43990, Nos. 12166, 12408 and 12409.....

NUMERICAL LIST OF PARTS

No.	Plate	Name
12411XC	24077	Throat Plate, large needle hole, for 12369 and 12457, obsolete, superseded by 44256, not interchangeable.....
12415	22305	Lifting Lever Connecting Rod for 139626 and 139627.....
12416	22305	Lifting Lever Connecting Rod Joint for 139626 and 139627.....
12424	22305	Oscillating Shaft Crank Slide Block Cap Screw Washer for 19449.....
12427	22303	Arm Shaft, for 44122.....
12430	24077	Feed Lifting Rock Shaft Crank Connecting Rod with two 966E, obsolete, use 43976.....
12431	22304	Shuttle Race Slide for 12432.....
12432	22304	Shuttle Race Slide complete, Nos. 4307, 12431 and two 725J.....
12444	22305	Shuttle Driver with two 1266AL, for 31-15 Machine.....
12449XC	-----	Throat Plate, small needle hole, for 12369 and 12457, obsolete superseded by 44255, not interchangeable.....
12450	24069	Feed Dog, 11 teeth (18 teeth to the inch) for 12451 and 12464, for 26655 and 35175.....
12451XC	24069	Throat Plate, small needle hole, for 12450 and 20348, for 26655 and 35175.....
12453	22307	Arm Oil Tube, for intermediate bearing.....
12454	22307	Arm Oil Tube with 132590, for oiling 12409.....
12455	24070	Feed Dog, 13 teeth (14 teeth to the inch) for shirt work, beveled for hemmer, for 31-15 Machine, for 12456 and 20398.....
12456XC	-----	Throat Plate, small needle hole, for 31-15 Machine for 12455.....
12457	24077	Feed Dog, for cloth, 16 teeth (16 teeth to the inch) obsolete, superseded by 44253, not interchangeable.....
12459	24077	Oscillating Rock Shaft Hinge Pin Oil Hole Stop Screw Washer (leather) obsolete.....
12464XC	24067	Throat Plate, large needle hole, for 12450 and 20348, for 26655 and 35175.....
12467	24075	Presser Foot, for umbrella work.....
12468	24070	Feed Dog, 16 teeth (16 teeth to the inch) for shirt work, beveled for hemmer, for 31-15 Machine, for 139616 and 139617.....
12469XC	24077	Throat Plate, large needle hole, for 12468 and 20471, obsolete use 139616.....
12470XC	-----	Throat Plate, small needle hole, for 12468 and 20471, obsolete use 139617.....
12474	24075	Presser Foot for 12455, 12468, 12481, 20158, 20471, 43978 and 44156.....
12480	22305	Arm Slide Cap.....

NUMERICAL LIST OF PARTS

No.	Plate	Name
12481	24067	Feed Dog, 18 teeth (16 teeth to the inch) for 12482 and 12483.....
12482XC	24067	Throat Plate, large needle hole, for 12481 and 43978.....
12483XC	-----	Throat Plate, small needle hole, for 12481 and 43978.....
13710	23253	Bobbin Winder Tension Spring for 225462.....
14010	22309	Bed Frame Hinge Plate Rivet for 20067 (6).....
15072	22335	Bobbin Winder Bobbin Position Pin for 15077 and 27538.....
15077	22335	Bobbin Winder Spindle with 15072, for 12171, 12201 and 20308.....
15098	24077	Shuttle Tension Spring for 24074.....
15140	22306	Shuttle Bobbin Case Latch for 15141.
15141	-----	Shuttle Bobbin Case Hinge for 24074 and 62740, Nos. 2973, 2974 and 15140.....
15278	22306	Shuttle Tension Spring for 62740....
*15404	-----	Trade Mark, for 12355.....
15405	-----	Rivet, for 12355 (2).....
16555	22309	Bed Frame Hinge Plate for 20067 (2)..
18055	24072	Presser Foot Hinge Pin for 28691....
19131	22316	Shuttle Bobbin for 20758.....
19219	22309	Bed Frame Cushion (leather) for 20067 (4).....
19220	22309	Bed Frame Cushion Spring for 20067 (4).....
19221	24059	Wrench, for 936 and 1619 (Attachments and Accessories)
19223	24075	Presser Foot Shank for 20311.....
19226	22309	Bed Frame Hinge Connection for 19398 (2).....
19292	22306	Shuttle, 1 11/16 in. diam., for 31-15 Machine, Nos. 2996, 12393, and 62740.....
19334	24075	Presser Foot Plate for 19336.....
19335	24064	Presser Foot Shank for 19336 and 12014.....
19336	24075	Presser Foot (hinged) complete, for 12455, 12468, 12481, 20158, 20471, 43978 and 44156, Nos. 7298, 19334 and 19335.....
19397	22309	Bed Frame Hinge Connection Cap for 19398 (2).....
19398	-----	Bed Frame Hinge Connection 19226 with 211E and 19397 (2).....
19406	22315	Shuttle Driver with two 1266AL, for 31-20 Machine.....
19412XC	24060	Throat Plate, large needle hole, for 31-20 Machine, for 20147 and 44177.....
19413XC	-----	Throat Plate, small needle hole, for 31-20 Machine, for 20147 and 44177.....
19418XC	-----	Throat Plate, large needle hole, for 31-20 Machine, for 20158 and 44156.....
19419XC	-----	Throat Plate, small needle hole, for 31-20, for 20158 and 44156.....
19447	-----	Oscillating Shaft Crank complete, Nos. 457AL, 1518E, 19449 and 19496.....

NUMERICAL LIST OF PARTS

No.	Plate	Name
19448	22305	Oscillating Shaft Crank Slide Block for 19449.....
19449	-----	Oscillating Shaft Crank Slide Block complete, for 19447 and 44135, Nos. 226J, 988C, 12424 and 19448.....
19474	22916	Feed Dog, 14 teeth (16 teeth to the inch) for 19475, 24572 and 26401 for 26402, 35241 and 35325.....
19475XC	22943	Throat Plate, large needle hole, for 19474, for 35241.....
19496	-----	Oscillating Shaft Crank for 19447....
20020	24075	Presser Foot for 12455, 12468, 12481, 20158, 20471, 43978 and 44156....
20023	-----	Presser Bar Spring (heavy) .063 wire
20057	22304	Face Plate, for 20058.....
20058	-----	Face Plate complete, Nos. 12150, 20057 and 139615.....
20059	22306	Presser Bar Guide Bracket with 453AL.
20060	22306	Slack Thread Regulator.....
20061	24077	Tension Screw Stud Bushing, obsolete.
20062	24077	Tension Screw Stud Flange, obsolete..
20063	24077	Tension Screw Stud Flange Collar, obsolete.....
20067	22309	Bed Frame with two each, 16555, 19398, four each 19219, 19220, six each, 14010 wood screws 1 1/4 in. No.12 and eight 158C.....
20147	24060	Feed Dog, 12 teeth (14 teeth to the inch) for 31-20 Machine, for 19412 and 19413.....
20158	24060	Feed Dog, 16 teeth (16 teeth to the inch) for shirt work, for 31-20 Machine, for 19418 and 19419.....
20188	22303	Needle Bar Crank with 858AL and 1065AL, for 44122.....
20197	22303	Crank Connecting Rod with two 896AL, for 44189.....
20268	24075	Presser Foot Plate for 20270.....
20269	24075	Presser Foot Shank for 20270.....
20270	24075	Presser Foot (hinged) complete, for 44252 and 44253, Nos. 7298, 20268 and 20269.....
20283	22303	Feed and Feed Lifting Eccentric with 446AL, for 44122.....
20284	22303	Feed Forked Connection for 43993....
20307	22335	Bobbin Winder Frame for 20308.....
20308	22335	Bobbin Winder Frame complete, for 20309, Nos. 333D, 5960, 5961, 5963, 15077 and 20307.....
20309	22335	Bobbin Winder complete, for 12358, Nos. 32D, 180F, 12168, 12170 and 20308.....
20310	24075	Presser Foot Plate for 20311.....
20311	24075	Presser Foot (hinged) complete, for 12455, 12468, 12481, 20147, 20158, 20471, 43978 and 44156, Nos. 19223, 20310 and 62527.....
20314	24077	Tension Releaser, obsolete.....
20333	-----	Feed Rock Shaft complete, Nos. 12379 and 29633.....
20342	24075	Presser Foot for 12450, 12455, 12468, 12481, 20158, 20348, 20471, 43978 and 44156.....

NUMERICAL LIST OF PARTS

No.	Plate	Name
20343	24075	Presser Foot with guide on bottom to right of needle hole for 12450, 12455, 12468, 12481, 20158, 20348, 20471, 43978, 44156, 44252 and 44253
20344	24075	Presser Foot Plate for 20346.....
20345	24075	Presser Foot Shank for 20346.....
20346	24075	Presser Foot (spring hinged) complete, for 12455, 12468, 12481, 20147, 20471 and 43978, Nos. 20344, 20345, 26231 and 62527.....
20348	24067	Feed Dog, 22 teeth (36 teeth to the inch) for chiffon, for 12451 and 12464.....
20398XC	24070	Throat Plate, large needle hole, for 31-15 Machine for 12455.....
20458	24075	Presser Foot, for 12455, 12468, 12481, 20158, 20471, 43978 and 44156....
20471	24070	Feed Dog, 22 teeth (22 teeth to the inch) for shirt work, beveled for hemmer, for 31-15 Machine, for 139616 and 139617.....
20649	22316	Shuttle Bobbin Case Latch for 20650..
20650	-----	Shuttle Bobbin Case Hinge for 20756, Nos. 2973, 2974 and 20649.....
20654	22316	Shuttle Tension Spring for 20756....
20756	22316	Shuttle Bobbin Case complete, for 20758, Nos. 591F, 592E, 2975, 20650 and 20654.....
20757	22316	Shuttle Body, for 20758.....
20758	22316	Shuttle, 1 11/16 in. diam., for 31-20 Machine, Nos. 19131, 20756 and 20757.....
23263	23249	Tape Reel Arm Steady Pin for 121412.
24009	22317	Shuttle Race Cap for 24998.....
24036	24077	Feed and Feed Lifting Eccentric Sleeve, obsolete, use 127152.....
24074	-----	Shuttle Bobbin Case complete, for 19292, Nos. 591F, 592E, 2975, 15098 and 15141, obsolete, use 62740.....
*24104	-----	Oscillating Rock Shaft for 24105....
24105	22303	Oscillating Rock Shaft complete, for 139602, Nos. 4784, 12388 and 24104
24131	22307	Arm Oil Tube with 52045, for oiling 20283.....
24297	22303	Balance Wheel Oil Cover for use with 2135 and 2862.....
24323	22317	Shuttle Bobbin Case Position Plate for 24325.....
24324	22317	Shuttle Race Body for 24998.....
24325	22317	Shuttle Race complete, for 31-20 Machine, Nos. 907D, 2419, 2533, 24323, 24999 and two 391J.....
24412	22307	Shuttle Bobbin Case Position Plate for 24415.....
24413	22307	Shuttle Race Body for 25000.....
24414	22307	Shuttle Race Cap for 25000.....
24415	22307	Shuttle Race complete, for 31-15 Machine, Nos. 907D, 2531, 2533, 24412, 24962 and two 391J.....
24544	24075	Presser Foot Plate for 24546 and 24983.....
24545	24077	Presser Foot Shank, for 24546, obsolete, use 24982.....

NUMERICAL LIST OF PARTS

No.	Plate	Name
24546	24077	Presser Foot (spring hinged) complete, for 12481 and 19474, Nos. 24544, 24545, 26231 and 62527, obsolete use 24983.....
24572XC	24064	Throat Plate, small needle hole, for 19474, for 35325.....
24962	-----	Shuttle Race Body 25000 with two 2532 or 24415.....
24982	24075	Presser Foot Shank for 24983.....
24983	24075	Presser Foot (spring hinged) complete, for 12455, 12468, 12481, 20158, 20471, 43978 and 44156, Nos. 24544, 24982, 26231 and 62527.....
24998	-----	Shuttle Race Body, 24324 with 24009 and two 1053E for 24999.....
24999	-----	Shuttle Race Body, 24998 with two 2532, for 24325.....
25000	-----	Shuttle Race Body 24413 with 24414 and two 1053E, for 24962.....
25644	22912	Binder Bed with 25645 for 25650.....
25645	-----	Binder Folder for 25644.....
25646	22912	Binder Folder Guide (lower) with 25855, for 25650, 25653 and 25656
25647	22912	Binder Folder Guide (upper) for 25650, 25653 and 25656.....
25648	22912	Binder Pressure Spring for 25650, 25653 and 25656.....
25650	22912	Binder (adjustable) Size 1, complete, Nos. 334D, 1577D, 7071, 25644 and 25646 to 25648.....
25651	22912	Binder Bed with 25625 for 25653.....
25652	-----	Binder Folder for 25651.....
25653	22912	Binder (adjustable) Size 2, complete, Nos. 334D, 1577D, 7071, 25646 to 25648 and 25651.....
25654	22912	Binder Bed with 25655 for 25656.....
25655	-----	Binder Folder for 25654.....
25656	22912	Binder (adjustable) Size 3, complete, Nos. 334D, 1577D, 7071, 25646 to 25648 and 25654.....
25698	24060	Binder Folder for 26694.....
25703	24060	Binder Pressure Spring with 26698 for 26694.....
25705	22922	Binder on Shank, for 3/8 in. tape....
25706	22922	Binder on Shank, for 7/16 in. tape....
25707	22922	Binder on Shank, for 1/2 in. tape....
25708	22922	Binder on Shank, for 9/16 in. tape....
25709	22922	Binder on Shank, for 5/8 in. tape....
25710	22922	Binder on Shank, for 11/16 in. tape....
25711	22922	Binder on Shank, for 3/4 in. tape....
25712	22922	Binder on Shank, for 13/16 in. tape....
25713	22922	Binder on Shank, for 7/8 in. tape....
25714	22922	Binder on Shank, for 15/16 in. tape..
25715	22922	Binder on Shank, for 1 in. tape.....
25721	24061	Binder Folder, for 26250.....
25722	24061	Binder Ribbon Tension complete, for 26250, 120437 and 120459, Nos. 26614, 26616 and four 26615.....
25733	22916	Binder Folder, for 1/2 in. binding, for 26402.....
25734	22916	Binder Ribbon Tension complete, for 26402, Nos. 26617, 26618 and seven 26486.....

No.	Plate	Name
25855	-----	Binder Folder Guide (lower) Screw Stud for 25646.....
25866	22337	Guide, for throat plate flush with bed.....
25873	22337	Guide (combination).....
25874	22337	Guide, for throat plate raised above bed.....
25983	24061	Presser Foot, for 26250.....
25992	22946	Quilter Guide Holder with two 207F, for 28660.....
26026	24059	Screw Driver (machine) Attachments and Accessories.....
26231	24072	Presser Foot Spring for 20346, 24546, 24983 and 28691.....
26250	24061	Binder (English) complete, Nos. 190J, 207F, 25721, 25722, 25983, 121444, 121445XC and two 7071....
26400	22916	Presser Foot for 26402.....
26401XC	22916	Throat Plate for 19474, for 26402...
26402	22916	Binder complete, for cut cloth, Nos. 207F, 19474, 25733, 25734, 26400, 26401XC, two 190J and three 7071
26485	24059	Screw Driver (shuttle tension) Attachments and Accessories.....
26486	-----	Binder Ribbon Tension Pin (straight) for 25734 and 28337.....
26603	24063	Feed Dog, 20 teeth, (16 teeth to the inch) for 26605, for 35208, 35226 and 35863.....
26605XC	24063	Throat Plate, large needle hole for 26603 and 121446, for 35208, 35226, 35863 and 120207.....
26614	-----	Binder Ribbon Tension Pin (bent) for 25722 and 120123.....
26615	-----	Binder Ribbon Tension Pin (straight) for 25722 and 120123.....
26616	-----	Binder Ribbon Tension Plate for 25722.....
26617	-----	Binder Ribbon Tension Pin (bent) for 25734 and 28337.....
26618	-----	Binder Ribbon Tension Plate for 25734.....
26652	-----	Hemmer, for 3/32 in. hem, for 26655..
26653	-----	Hemmer Shank for 26655, 26660, 26662, 26664 and 26666.....
26654	-----	Hemmer Rivet, for 26655, 26660, 26662, 26664 and 26666.....
26655	24074	Hemmer on Shank complete, Nos. 26652 to 26654.....
26656	24074	Presser Foot, for 26655.....
26659	-----	Hemmer, for 26660.....
26660	24074	Hemmer on Shank complete, for 3/32 in. hem for umbrella work, Nos. 26653, 26654 and 26659.....
26661	-----	Hemmer (wide) for 26662.....
26662	24074	Hemmer on Shank complete, Nos. 26653, 26654 and 26661.....
26663	-----	Hemmer, for 26664.....
26664	24074	Hemmer on Shank complete, for raw edge silk, Nos. 26653, 26654 and 26663.....
26665	-----	Hemmer, for 1/8 in. hem, 26666.....
26666	24074	Hemmer on Shank complete, Nos. 26653, 26654 and 26665.....

No.	Plate	Name
26668	24068	Ruffler Driving Lever Spring for 26724.....
26669	24068	Ruffler Frame for 26724.....
26670	24068	Ruffler Guide (left) with 26679 and two 662J for 26724.....
26671	24068	Ruffler Guide (right) with 26679 and two 662J for 26724.....
26675	24068	Ruffler Ruffling Blade for 26724.....
26676	24068	Ruffler Ruffling Blade Clamp for 26724.....
26678	24068	Ruffler Ruffling Blade Lever Disengaging Lever for 26724.....
26679	24068	Ruffler Separating Blade for 26670 and 26671.....
26694	24060	Binder (adjustable) complete, for cap fronts, for 31-20 Machine, Nos. 334J, 1566D, 25698, 25703, 26695 to 26697, two 152F and three 7071
26695	24060	Binder Bed with 9558, for 26694.....
26696	24060	Binder Guide (lower) with 1141D, and 9780, for 26694.....
26697	24060	Binder Guide (upper) for 26694.....
26698	24060	Binder Pressure Spring Lifting Button for 25703.....
26718	24068	Ruffler Needle Clamp Body for 26719..
26718	24069	Tucker Needle Clamp Body for 26719..
26719	24068	Ruffler Needle Clamp complete, for 26724, Nos. 1115F, 1943 and 26718
26719	24069	Tucker Needle Clamp complete, for 36561, Nos. 1115F, 1943 and 26718
26722	24068	Ruffler Driving Lever for 26724.....
26723	24068	Ruffler Ruffling Blade Lever for 26724.....
26724	24068	Ruffler (power) complete, with right and left guides, with separating blades and disengaging lever to through ruffling blade out of action, Nos. 102J, 223J, 812B, 1101C, 1621J, 1640C, 2301, 26668 to 26671, 26675, 26676, 26678, 26719, 26722, 26723, two 337J....
26795	24063	Corder Cord Guide, for 28645 and 120207.....
26796	24063	Corder Cord Guide Arm, for 28645 and 120207.....
27302	22333	Bobbin Winder Frame for 27647 and 27875.....
27303	-----	Bobbin Winder Frame Spring for 27647 and 27875.....
27306	22333	Bobbin Winder Spool Pin for 27308...
27307	22333	Bobbin Winder Spool Stand for 27308..
27308	22333	Bobbin Winder Spool Stand complete, for 27544 and 27876, Nos. 418E, 1562J, 2106, 10141, 11241, 27306, 27307 and two each 2455 and wood screws 1 in. No. 10.....
27312	22333	Bobbin Winder Stop Latch for 27647...
27538	22333	Bobbin Winder Spindle with 15072, for 27647 and 27875.....
27540	22333	Bobbin Winder Base for 27647 and 27875.....
27541	22333	Bobbin Winder Pulley for 27647 and 27875.....

NUMERICAL LIST OF PARTS

No.	Plate	Name
27544	22333	Bobbin Winder (swinging automatic, right hand) complete, for 31-15 Machine, Nos. 27308 and 27647....
27587	24066	Bobbin Winder Stop Latch for 27875..
27647	22333	Bobbin Winder, for 27544, Nos. 35D, 1620J, 27302, 27303, 27312, 27538, 27540, 27541, 50356D and two wood screws 1 in. No. 7.....
27875	24066	Bobbin Winder, for 27876, Nos. 35D, 1620J, 27302, 27303, 27538, 27540, 27541, 27587, 50356D and two wood screws 1 in. No. 7.....
27876	24066	Bobbin Winder (swinging automatic, right hand) complete, for 31-20 Machine, Nos. 27308 and 27875....
28334	24062	Binder Folder, for 28678 and 28776...
28336	-----	Binder Ribbon Tension Plate, for 28337.....
28337	24062	Binder Ribbon Tension complete, for 28678 and 28776, Nos. 26617, 28336 and eight 26486.....
28612	24075	Presser Foot for plain stitching....
28614	24075	Presser Foot for plain stitching....
28619	24065	Binder (horn) on Shank for 28620.....
28620	24065	Presser Foot for 28619.....
28622	24075	Presser Foot (grooved) for cording...
28627	24072	Hemmer on Shank, for 1/8 in. to 5/8 in. gauges, for Marseilles quilts
28628	24072	Presser Foot for 28627.....
28632	22922	Binder on Shank, to turn edges under.
28635	22922	Binder on Shank, for 7/8 in binding..
28644	24067	Corder Cord Guide Bed for 28645.....
28645	24067	Corder (adjustable) complete, Nos. 190J, 1044D, 26795, 26796 and 28644.....
28649	24068	Edge Folder on Shank.....
28650	24065	Hemmer on Shank, for hemming heavy Canton flannel.....
28653	24074	Hemmer on Shank, for 2 9/16 in. to 3 in. hem.....
28658	22337	Guide (roller) with 1852.....
28659	22946	Quilter Guide for 28660.....
28660	22946	Quilter complete, Nos. 25992 and 28659.....
28671	24067	Hemstitcher.....
28673	24072	Lap Seam Feller (right hand) on Shank, to fold top only.....
28674	24072	Lap Seam Guide on Shank.....
28676	24062	Presser Foot for 28678 and 28776....
28678	24062	Binder (English) complete, Nos. 193J, 7071, 28334, 28337, 28676, 121446, 121447XC and two 233J.....
28679	24072	Hemmer Bed with 28681, for 28688....
28680	-----	Hemmer Folder (left) for 28688.....
28681	-----	Hemmer Folder (right) for 28679.....
28682	24072	Hemmer Slide with 28687 and two each 2362 and 12152, for 28688.....
28683	24072	Hemmer Slide Cap (left) for 28688....
28684	24072	Hemmer Slide Cap (right) for 28688....
28685	24072	Hemmer Folder Disengaging Lever, for 28688.....
28686	24072	Hemmer Slide Spring for 28688.....
28687	24072	Hemmer Slide Spring Cover for 28682..

NUMERICAL LIST OF PARTS

No.	Plate	Name
28688	24072	Hemmer complete, with lever for opening the folder and releasing the hem, so that it can be finished without removing the hemmer from the machine, for shirts, overalls or similar closed articles, Nos. 94D, 28679, 28680, 28682 to 28686, two 207F and three 233J.....
28689	24072	Presser Foot Plate for 28691.....
28690	24072	Presser Foot Shank for 28691.....
28691	24072	Presser Foot (spring hinged) complete, for 28688, Nos. 18055, 26231, 28689 and 28690.....
28693	22922	Binder on Shank, for binding the arm holes in cotton garments.....
28710	24068	Hemmer on Shank for 1/8 in hem.....
28711	24065	Hemmer on Shank with 121843 for 1/8 in. to 1/2 in. hem, for towels...
28715	24075	Presser Foot (tube) for laying fringe-edged brad.....
28721	24068	Hemmer on Shank for 1 1/4 in. to 2 in. hem.....
28725	24075	Presser Foot Spring Guide for 28726.
28726	24075	Presser Foot (right hand, spring guide) with 565J and 28725, for 1/32 in. to 1/4 in. gauges.....
Note: When ordering Nos. 28725 or 28726 state required distance from edge of goods to seam.		
28775XC	24062	Throat Plate, for 12370, for 28776...
28776	24062	Binder (English) complete, for carpets, Nos. 193J, 7071, 12370, 28334, 28337, 28676, 28775XC and two 233J.....
28970	24061	Binder on Shank for bias binding, to turn both edges under.....
28971	22337	Guide for 120428.....
28972	22337	Guide Holder for 120428.....
29549	24077	Tension Releasing Lever, obsolete....
29599	24077	Arm Oil Tube Packing (felt) for 11119, 12454 and 24131, obsolete.....
29633	22305	Feed Rock Shaft Crank with 157J, for 20333.....
32572	22304	Tension Releasing Disc for 44118....
32574	22304	Tension Releasing Pin for 44118....
35002	22946	Presser Foot Extension for 35137....
35003	22946	Presser Foot Graduated Adjustable Guide (long, left) for 35137 and 121949.....
35004	22946	Presser Foot Graduated Adjustable Guide (long, right) for 35137 and 121949.....
35005	22946	Presser Foot Graduated Adjustable Guide (short, right) for 35137 and 121949.....
35006	22946	Presser Foot Graduated Adjustable Guide (short, right) flush for 35137.....
35062	24065	Binder (horn) on Shank, for 7/8 in. to 1 1/2 in. binding, for tape, for mattresses.....
35063	24065	Presser Foot for 35062.....
35066	22943	Presser Foot for 28693, 35241, 35325 and 35863.....

NUMERICAL LIST OF PARTS

No.	Plate	Name
35082	24061	Binder on Shank, for raw edge bias binding, for wrappers, etc.....
35134	22946	Presser Foot with 36698, for 35137...
35135	22946	Presser Foot Graduated Adjustable Guide Clamp for 35137 and 121949.
35136	22946	Presser Foot Graduated Adjustable Guide Clamp Lever for 35137 and 121949.....
35137	22946	Presser Foot with Extension and Graduated Adjustable Guides complete, Nos. 337B, 35002 to 35006 and 35134 to 35136.....
35175	24069	Edge Folder on Shank.....
35176	24069	Presser Foot for 35175.....
35208	24063	Binder on Shank, to turn in both edges, for bias or straight binding, for skirts, wrappers, shirt waists, etc.....
35226	24064	Binder on Shank, for mattress work...
35231	24064	Presser Foot for 35226.....
35241	22943	Hemmer on Shank, for Canton flannel, etc.....
35245	24061	Piping Attachment complete, for piping house dresses, Nos. 1443J and 120977.....
35325	24064	Binder on Shank, to turn top edge only, for shirt bosoms, skirt trimmings, etc.....
35475	24068	Hemmer on Shank for 5/32 in. hem, with right hand lower guide, for lace.....
35562	24067	Presser Foot for 28845.....
35610	22337	Guide Holder Friction Washer for 120428.....
35682	24073	Hemmer (foot) for 1/8 in. hem with guide on bottom to right of needle hole.....
35710	24073	Hemmer (foot) for 3/32 in. hem, with guide on bottom to right of needle hole.....
35863	22943	Hemmer on Shank for canvas work.....
35997	24073	Hemmer (foot) for 3/16 in. hem with guide on bottom to right of needle hole.....
36072	24073	Hemmer (foot) for 1/4 in. hem with guide on bottom to right of needle hole.....
36122	24073	Hemmer (foot) for 7/32 in. hem.....
36182	24075	Presser Foot with 665J and 36183, for blind stitch braiding, for soutache braid.....
36183	24075	Presser Foot Braid Guide for 36182...
Note: When ordering 36182 or 36183 send sample of braid for which it is to be used.....		
36309	24073	Hemmer (foot) for 7/32 in. hem with guide on bottom to right of needle.....
36413	24073	Hemmer (foot) plain bottom for 1/16 in. hem.....
36414	24073	Hemmer (foot) plain bottom for 3/32 in. hem.....
36416	24073	Hemmer (foot) plain bottom for 3/16 in. hem.....

NUMERICAL LIST OF PARTS

No.	Plate	Name
36480	24073	Hemmer (foot) plain bottom for 5/32 in. hem.....
36524	24073	Hemmer (foot) for 5/32 in. hem with guide on bottom to right of needle hole.....
36561	24069	Tucker complete, Nos. 26719, 36655 to 36657, 36660, 36661, 36663, 36667, 120500, 120572 and two each 36658, 50238B and 86354.....
36576	24075	Presser Foot Finger Guard for 36623..
36622	24075	Presser Foot, for 36623.....
36623	24075	Presser Foot 36622 with 36576 and two 50202J.....
36648	24069	Tucker Tuck Marker Rivet for 36663 (2).....
36655	24069	Tucker Driving Lever for 36561.....
36656	24069	Tucker Driving Lever Hinge Stud for 36561.....
36657	24069	Tucker Driving Lever Lock Spring for 36561.....
36658	24069	Tucker Driving Lever Lock Spring Rivet for 36561 (2).....
36660	24069	Tucker Tuck Guide for 36561.....
36661	24069	Tucker Tuck Guide Thumb Screw Washer for 36561.....
36662	24069	Tucker Tuck Marker (lower) for 36663.
36663	-----	Tucker Tuck Marker (lower) 36662 with 36664 and two 36648, for 36561....
36664	24069	Tucker Tuck Marker (upper) for 36663.
36667	24069	Tucker Tuck Smoothing Spring for 36561.....
36696	22946	Presser Foot Graduated Adjustable Guide Clamp Steady Pin for 35134 and 121948.....
36776	24065	Hemmer on Shank for 2 1/4 in. to 3 in. hem.....
36818	24071	Finger Guard for 36821.....
36819	24071	Finger Guard Friction Washer for 36821.....
36820	24071	Finger Guard Holder with 196J for 36821.....
36821	24071	Finger Guard complete, Nos. 36818 to 36820 and 50316J.....
41400	24059	Machine Rest Pin (wood) 3 1/8 in. long (Attachments and Accessories)
41828	22333	Bobbin Winder Spindle Collar Pin for 27538.....
41929	22343	Belt Guard for 41931.....
41930	22343	Belt Guard Hinge for 41931 (2).....
41931	22343	Belt Guard complete, Nos. 8420, 41929, two 41930 and four wood screws 3/4 in. No. 9.....
43525	23249	Binder Steady Pin for 121398.....
43944	22304	Tension Releasing Lever.....
43945	22304	Tension Spring for 44118.....
43946	22304	Thread Take-up Spring for 44118.....
43976	22303	Feed Lifting Rock Shaft Crank Connecting Rod with two 966E.....
43978	24067	Feed Dog, 24 teeth (22 teeth to the inch) for 12482 and 12483.....
43990	-----	Thread Take-up complete, Nos. 775E, 11204, 12404, 12410 and 43997....
43993	-----	Feed Forked Connection complete, Nos. 20284, 52165, 56886 and two each 375C and 1518J.....

No.	Plate	Name
43997	22306	Needle Bar Connecting Link with 794E and 12384, for 43990.....
44118	22304	Tension complete, Nos. 7336, 32572, 32574, 43945, 43946, 44141 and two 2102.....
44122	-----	Arm Shaft 12427 with 20188, 20283 and 127152, for 44189.....
44125	22305	Feed Lifting Rock Shaft for 44126...
44126	22305	Feed Lifting Rock Shaft complete, Nos. 12376 and 44125.....
44134	22305	Oscillating Shaft Crank for 44135....
44135	22305	Oscillating Shaft Crank complete, Nos. 1518E, 19449, 44134 and two 453AL.....
44141	-----	Tension Screw Stud 50327C with 1560C, for 44118.....
44156	24060	Feed Dog, 24 teeth (24 teeth to the inch) for 31-20 Machine, for 19418 and 19419.....
44177	24060	Feed Dog, 19 teeth (22 teeth to the inch) for 31-20 Machine 19412 and 19413.....
44189	-----	Arm Shaft 44122 with 20197.....
44212	24076	Drip Pan with four 1 in. wire nails, obsolete, use 139622.....
44252	22304	Feed Dog, for cloth, 12 teeth (12 teeth to the inch).....
44253	24067	Feed Dog, 16 teeth (16 teeth to the inch) for cloth, for 44255 and 44256, for 35245.....
44255XC	24067	Throat Plate, small needle hole, for 44252 and 44253, for 35245.....
44256XC	22304	Throat Plate, large needle hole, for 44252 and 44253, for 35245.....
45720	-----	Face Plate Thread Guard (upper) 45874 with 125373, absolute, use 139615
45874	-----	Face Plate Thread Guard (upper) for 45720 and 139615.....
50190W	24063	Guide Thumb Screw (short).....
50202J	24075	Presser Foot Finger Guard Screw for 36623 (2).....
50236B	24069	Tucker Tuck Guide Thumb Screw for 36561.....
50236B	24069	Tucker Tuck Marker Clamping Plate Thumb Screw for 36561.....
50302J	24071	Finger Guard Holder Set Screw for 120497 and 120858.....
50316J	24071	Finger Guard Hinge Screw for 36821..
50327C	22304	Tension Screw Stud for 44141.....
50356D	22333	Bobbin Winder Frame Hinge Screw for 27647 and 27875.....
50429AL	24077	Thread Retainer Set Screw, obsolete..
50551J	22332	Belt Guard Set Screw for 126365.....
51097J	23249	Binder Thumb Screw for 121168.....
51097J	23249	Tape Reel Arm Thumb Screw for 121168.
51224J	22307	Arm Side Cover Thumb Screw.....
51224J	22304	Face Plate Thumb Screw.....
51224W	22337	Guide Thumb Screw for 120428.....
52016	22306	Presser Bar Lifter.....
52031	24064	Feed Dog, 19 teeth (22 teeth to the inch) for 52032, for 121801 to 121804, 121798 and 121848.....
52032XC	24064	Throat Plate, large needle hole, for 52031, for 121801 to 121804, 121798 and 121848.....

No.	Plate	Name
52045	22307	Arm Oil Tube Packing (braided cotton) for 11119 and 24131.....
52055	24063	Presser Foot for 35208.....
52056	24061	Presser Foot for 35245.....
52165	22303	Feed Connecting Link for 43993.....
52239	22307	Arm Spool Pin and Thread Eyelet.....
52378	24077	Thread Retainer Stud for 52379, obsolete.....
52379	-----	Thread Retainer complete, Nos. 52378, 52398, 210958 and 210993, obsolete.....
52398	24077	Thread Retainer Spring for 52379, obsolete.....
52454	22304	Thread Retainer.....
56813	-----	Feed Bar Screw Center 313C with 1519J (2).....
56814	-----	Feed Lifting Rock Shaft Screw Center 307C with 1513J (2).....
56814	-----	Feed Rock Shaft Screw Center 307C with 1513J (2).....
*56827	-----	Clamp Stop Motion Flanged Bushing 3023 with 256J.....
56848	-----	Bell Crank 5596 with 5599 and 5601 for 5598.....
56886	-----	Feed Regulator 3039 with 818D, for 43993.....
62527	24075	Presser Foot Hinge Pin for 20311, 20346, 24546, 24983 and 121946...
62740	22306	Shuttle Bobbin Case complete, for 19292, Nos. 591F, 592E, 2975, 15141 and 15278.....
86354	24069	Tucker Tuck Smoothing Spring Rivet for 36561 (2).....
120001	24077	Feed Dog (spiked teeth) 12 teeth (10 teeth to the inch) obsolete, superseded by 121446, not interchangeable.....
120120	22918	Binder Folder with 865J and 120121, for 120127.....
120121	22918	Binder Fold Guide for 120120.....
120122	-----	Binder Ribbon Tension Plate for 120123.....
120123	22918	Binder Ribbon Tension complete, for 120127, Nos. 26614, 120122 and six 26615.....
120124	22918	Feed Dog, 6 teeth (16 teeth to the inch) for 120126, for 120127.....
120125	22918	Presser Foot for 120127.....
120126XC	22918	Throat Plate for 120124, for 120127..
120127	22918	Binder (English) complete, Nos. 220J, 7806, 120120, 120123 to 120126XC and two each 190J and 7071.....
120143	24064	Presser Foot Plate for 120144.....
120144	24064	Presser Foot (hinged) complete, for 35208, 35241 and 35325, Nos. 7298, 19335 and 120143.....
120206	24063	Corder Gord Guide Bed with 457AL, for 120207.....
120207	24063	Corder (adjustable) complete, for short turns on cushions, Nos. 190J, 1044D, 26795, 26796 and 120206.....
120208	24063	Presser Foot (grooved) for 120207....
120338	24065	Hemmer for 120340.....

No.	Plate	Name
120339	24065	Hemmer Shank for 120340.....
120340	24065	Hemmer (adjustable) on Shank, complete, for 1/2 in. to 2 in. hem, Nos. 120338, 120339 and two 1443J.
120342	24059	Oiler (copper plated) with 120343 (Attachments and Accessories)....
120343	24059	Oiler Spout, 3 1/2 in. long for 120342.....
120427	22337	Guide Holder Shank for 120428.....
120428	22337	Guide (adjustable, hinged) complete, Nos. 940W, 7071, 28971, 28972, 35610, 51224W and 120427.....
120433	22916	Binder Folder for 120437 and 120459.
120434	22916	Feed Dog, 7 teeth (16 teeth to the inch) for 120436, for 120437 and 120459.....
120435	22916	Presser Foot for 120437.....
120436XC	22916	Throat Plate for 120434, for 120437 and 120459.....
120437	22916	Binder (English) complete, for awnings, Nos. 190J, 207F, 25722, 120433 to 120436XC and two 7071.
120458	22918	Presser Foot for 120459.....
120459	22918	Binder (English) for slip covers and general work, Nos. 190J, 207F, 25722, 120433, 120434, 120436XC, 120458 and two 7071.....
120479	22946	Quilter Guide (left) for 120485.....
120480	22946	Quilter Guide (right) for 120485.....
120481	22946	Quilter Guide Bracket for 120482....
120482	-----	Quilter Guide Bracket 120481 with 120483 and two 209C, for 120485..
120483	22946	Quilter Guide Disengaging Sleeve for 120482.....
120484	22946	Quilter Guide Disengaging Sleeve Spring for 120485.....
120485	22946	Quilter complete, Nos. 802D, 120479, 120480, 120482 and 120484.....
120496	24071	Finger Guard for 120498.....
120497	24071	Finger Guard Holder with 50302J, for 120498 and 121335.....
120498	24071	Finger Guard complete, Nos. 236J, 120496 and 120497.....
120500	24069	Tucker Frame for 36561.....
120536	23249	Tape Reel Disc, with 120538 and 120539.....
120537	23249	Tape Reel Disc Pin for 121412.....
120538	23249	Tape Reel Disc Stud (wood) for 120536
120539	23249	Tape Reel Disc Stud Sleeve (brass) for 120536.....
120572	24069	Tucker Tuck Marker Clamping Plate for 36561.....
120803	24073	Hemmer (foot) for 1/8 in. hem.....
120804	24073	Hemmer (foot) for 5/32 in. hem.....
120805	24073	Hemmer (foot) for 3/16 in. hem.....
120806	24073	Hemmer (foot) for 1/4 in. hem.....
120807	24073	Hemmer (foot) for 5/16 in. hem.....
120837	24073	Hemmer (foot) plain bottom, for 1/8 in. hem, slotted for lace.....
120856	24071	Finger Guard for 120859.....
120857	24071	Finger Guard for 120860.....
120858	24071	Finger Guard Holder with 50302J, for 120859, 120860 and 121619.....

No.	Plate	Name
120859	24071	Finger Guard complete, Nos. 120856, 120858 and two 236J.....
120860	24071	Finger Guard complete, Nos. 120857, 120858 and two 236J.....
120898	24073	Hemmer (foot) for 1/16 in. to 1/8 in. hem, for China silk, etc.....
120911	24073	Hemmer (foot with shell hemmer) for 5/32 in. to 1/4 in. hem, for China silk, etc.....
120938	24073	Hemmer (foot) for 3/32 in. hem.....
120977	24061	Piping Attachment for 35245.....
121167	23249	Binder Folder on Shank, for 121168...
121168	23249	Binder (transverse) on Shank complete, for folded or unfolded bias binding, with tape reel, for general work, for 3/4 in., 7/8 in. and 1 in. tape, Nos. 3146, 120536, 121167, 121169, 121397, 121398XC, 121412 and two 51097J.....
121169	23249	Presser Foot for 121168.....
121334	24071	Finger Guard for 121335.....
121335	24071	Finger Guard complete, Nos. 236J, 120497 and 121334.....
121397	23249	Feed Dog, 18 teeth (16 teeth to the inch) for 121398, for 121168....
121398XC	23249	Throat Plate with 43525, for 121397, for 121168.....
121412	23249	Tape Reel Arm with 8879, 23263 and 120537, for 121168.....
121444	24061	Feed Dog, 13 teeth (16 teeth to the inch) for 121445, for 26250.....
121445XC	24061	Throat Plate for 121444, for 26250..
121446	24062	Feed Dog (spiked teeth) 13 teeth (10 teeth to the inch) for 26605 and 121447, for 28678, 35226 and 120207.....
121447XC	24062	Throat Plate for 121446, for 28678
121618	24071	Finger Guard for 121619.....
121619	24071	Finger Guard complete, when machine is fitted with a Roller Presser, Nos. 120858, 121618 and two 236J.
121758	24073	Feed Dog, 13 teeth (16 teeth to the inch) for 121759 for 121760.....
121759XC	24073	Throat Plate, small needle hole, for 121758 for 121760.....
121760	24073	Hemmer (foot) for 1/8 in. hem for hemming shirts, for 121758 and 121759.....
121761	24073	Hemmer (foot) for 1/8 in. hem, for hemming shirts.....
121762	24073	Hemmer (foot) for 5/32 in. hem, for hemming shirts.....
121798	24064	Hemmer (foot) for 1/8 in. hem, for hemming shirts, for 44252, 44256, 52031 and 52032.....
121801	24064	Hemmer (foot) for 1/8 in. hem, for hemming shirts, for 44252, 44256, 52031 and 52032.....
121802	24064	Hemmer (foot) for 5/32 in. hem, for hemming shirts, for 44252, 44256, 52031 and 52032.....
121803	24064	Hemmer (foot) wide folder, for 3/16 in. hem, for hemming shirts, for 44252, 44256, 52031 and 52032....

NUMERICAL LIST OF PARTS

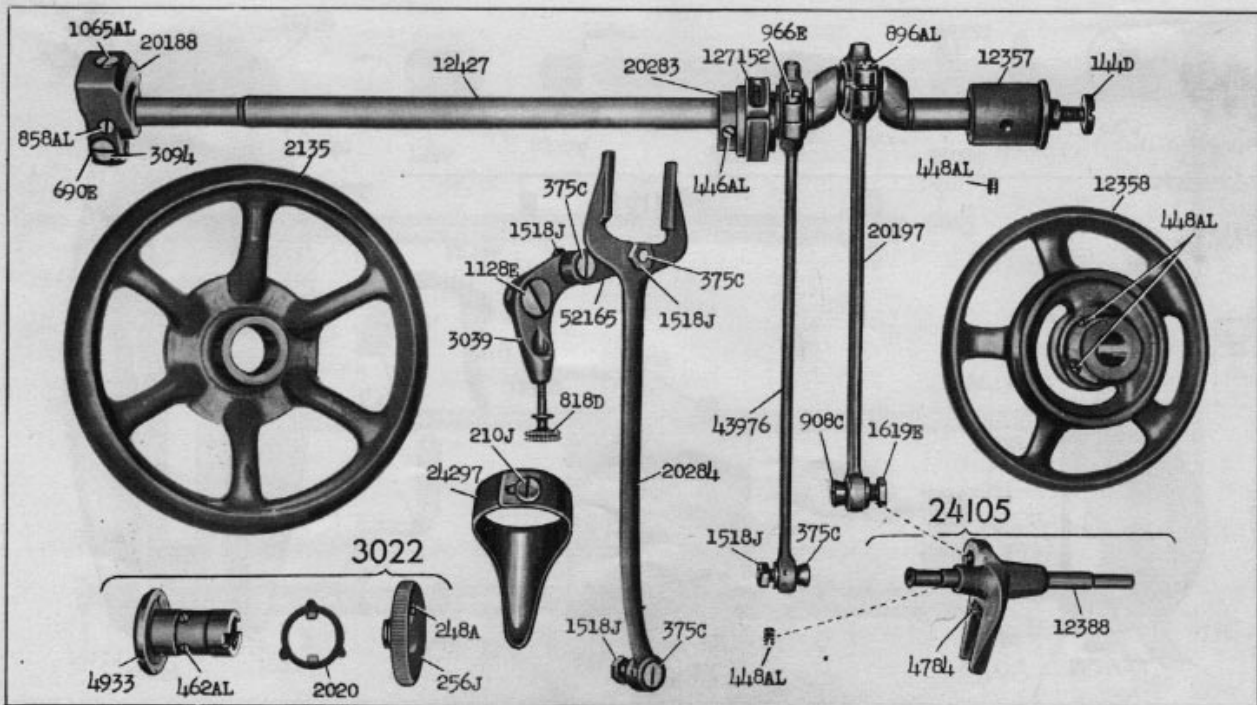
No.	Plate	Name
121804	24064	Hemmer (foot) narrow folder, for 3/16 in. hem, for hemming shirts, for 44252, 44256, 52031 and 52032....
121843	-----	Hemmer for 28711.....
121848	24064	Hemmer (foot) for 3/32 in. hem, for hemming shirts, for 44252, 44256, 52031 and 52032.....
121941	24075	Presser Foot for No. 5 Slide Fastener, for stitching at right or left of slide fastener, for heavy woolen suiting and dresses, for 12455, 12468, 12481, 20158, 20471, 43978 and 44156.....
121943	24075	Presser Foot Plate for 121946.....
121944	24075	Presser Foot Shank for 121946.....
121945	24075	Presser Foot Spring for 121946.....
121946	24075	Presser Foot complete, for No. 5 Slide Fastener, for stitching at right or left of slide fastener, for crossing seams, for 12455, 12468, 12481, 20158, 20471, 43978 and 44156, Nos. 62527 and 121943 to 121945.....
121948	24075	Presser Foot with 36698, for 121949..
121949	24075	Presser Foot with Graduated Adjustable Guides complete, for No. 3 and No. 5 Slide Fastener, for making various margins up to 1/2 inch between the slide fastener and the line of stitching, for 12455, 12468, 12481, 20158, 20471, 43978 and 44156, Nos. 337B, 35003 to 35005, 35135, 35136 and 121948
125373	-----	Face Plate Thread Guard (upper) Rivet for 45720.....
125424	22304	Face Plate Thread Guard (upper) Rivet for 139615.....
126356	22332	Belt Guard for 126365.....
126363	22332	Belt Guard Bracket for 126365.....
126364	22332	Belt Guard Extension for 126365.....
126365	22332	Belt Guard (adjustable) complete, for Bench Stand, Nos. 162D, 1480D, 9331, 50551J, 126356, 126363, 126364, and two wood screws 1 in. No. 10.....
127152	22303	Feed and Feed Lifting Eccentric Sleeve, for 44122.....
127312	22338	Rock Shaft Hanger (back) with two wood screws 1 in. No. 10 P.H., for 139624.....
132590	22307	Arm Oil Tube Packing (braided cotton) for 12454.....
139602	-----	Oscillating Rock Shaft 24105 with 908C.....
139615	22304	Face Plate Thread Guard (upper) 45874 with 125424, for 20058.....
139616XC	24070	Throat Plate (large needle hole) for 31-15 Machine, for 12468 and 20471
139617XC	-----	Throat Plate (small needle hole) for 31-15 Machine for 12468 and 20471
139622	22341	Drip Pan with four 1 in. wire nails..
139623	22338	Rock Shaft Lifting Bracket Hook for 139633.....

NUMERICAL LIST OF PARTS

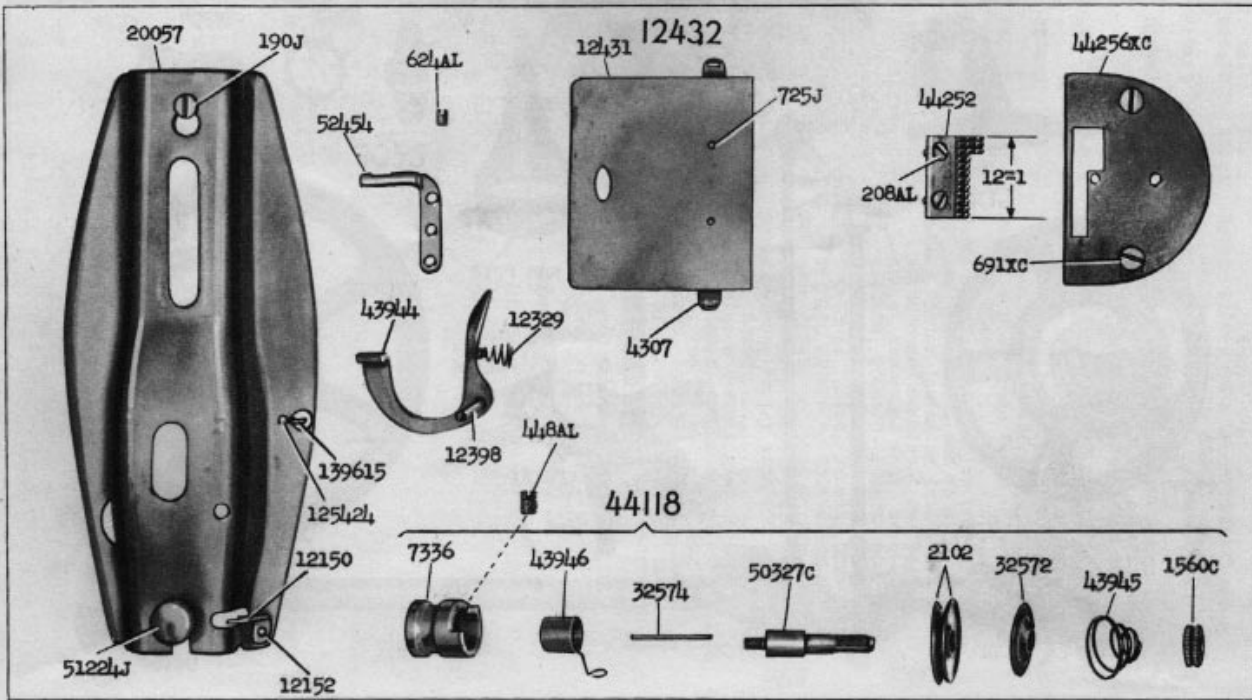
No.	Plate	Name
139624	22338	Rock Shaft complete, for 139626, Nos. 2768, 12242, 127312 and 139633...
139625	22338	Rock Shaft complete, for 139627, Nos. 2768, 139633 and two 7539.....
139626	-----	Knee Lifter complete (power table) Nos. 76D, 766E, 802D, 1521J, 5598, 12237, 12240, 12241, 12415, 12416, 139624 and two 178E.....
139627	-----	Knee Lifter complete (individual motor and foot power stands) Nos. 76D, 766E, 802D, 1521J, 5598, 12237, 12240, 12241, 12415, 12416, 139625 and two 178E.....
139631	-----	Balance Wheel (power) "V" belt groove (outside diam. of belt groove 2.9 in.) with two 443AL.....
139633	-----	Rock Shaft 2763 with 2770, 6337 and 139623, for 139624 and 139625....
140219C	22338	Rock Shaft Stop Dog Set Screw for 2770.....
200056E	23253	Bobbin Winder Stop Latch Screw for 259431 and 259462.....
200082D	23253	Bobbin Winder Tension Bracket Screw for 259431 and 259462.....
200113F	23253	Bobbin Winder Brake Clamp Screw for 259431 and 259462.....
200299H	23253	Bobbin Winder Stop Latch Trip Lever Hinge Screw for 259431 and 259462.....
200380C	23253	Bobbin Winder Pulley Set Screw for 225368 and 259461.....
201499B	23253	Bobbin Winder Tension Stud for 225461.....
201572B	23253	Bobbin Winder Tension Stud Thumb Nut for 225462.....
202277	23253	Bobbin Winder Frame Oil Packing (wick) for 225453.....
202478	23253	Bobbin Winder Stop Latch Trip Lever for 259431 and 259462.....
210958	-----	Thread Retainer Collar for 52379, obsolete.....
210993	-----	Thread Retainer Sleeve for 52379, obsolete.....
225368	23253	Bobbin Winder Pulley with 200380C, for 259431.....
225381	23253	Bobbin Winder Spindle for 259431 and 259462.....
225438	23253	Bobbin Winder Frame Oil Well Cap for 225453.....
225444	23253	Bobbin Winder Stop Latch for 259431 and 259462.....
225453	23253	Bobbin Winder Frame with 202277 and 225438 for 259431 and 259462.....
225454	23253	Bobbin Winder Frame Hinge Pin for 259431 and 259462.....
225455	23253	Bobbin Winder Frame Spring for 259431 and 259462.....
225456	23253	Bobbin Winder Frame Spring Plunger for 259431 and 259462.....
225458	23253	Bobbin Winder Stop Latch Thumb Lever for 259431 and 259462.....
225459	23253	Bobbin Winder Stop Latch Thumb Lever Hinge Stud for 259431 and 259462.

NUMERICAL LIST OF PARTS

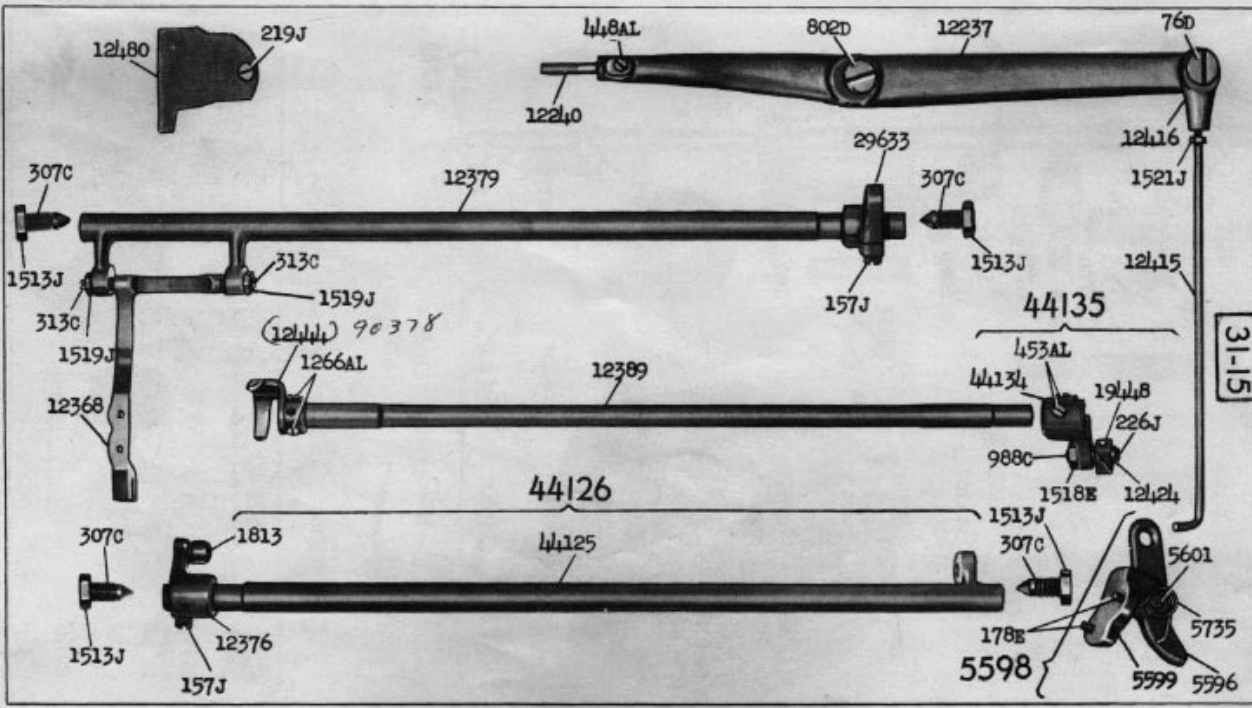
No.	Plate	Name
225459	23253	Bobbin Winder Stop Latch Thumb Lever Joint Stud for 259431 and 259462
225461	23253	Bobbin Winder Tension Bracket with 201499B, for 225462.....
225462	23253	Bobbin Winder Tension Bracket com- plete for 259431 and 259462, Nos. 13710, 201572B, 225461 and two 2102.....
228026	23253	Bobbin Winder Tension Bracket Screw Washer for 259431 and 259462....
259428	23253	Bobbin Winder Brake (leather) for 259431 and 259462.....
259429	23253	Bobbin Winder Brake Clamp for 259431 and 259462.....
259430	23253	Bobbin Winder and Tension Bracket Base for 259431 and 259462.....
259431	23253	Bobbin Winder (swinging automatic, right hand) complete, for power table, for round belt, Nos. 200056E, 200082D, 200113F, 200299H, 202478, 225368, 225381, 225444, 225453 to 225456, 225458, 225462, 228026, 259428 to 259430 and two each 225459 and wood screws 3/4 in. No. 12 R.H.B.....
259461	23253	Bobbin Winder Pulley with 200380C, for 259462.....
259462	23253	Bobbin Winder (swinging automatic, right hand) complete, for power table, for "v" belt, Nos. 200056E, 200082D, 200113F, 200299H, 202478, 225381, 225444, 225453 to 225456, 225458, 225462, 228026, 259428 to 259430, 259461 and two each 225459 and wood screws 3/4 in. No. 12 R.H.B.....



22303 - 1/3



22304 - 1/2

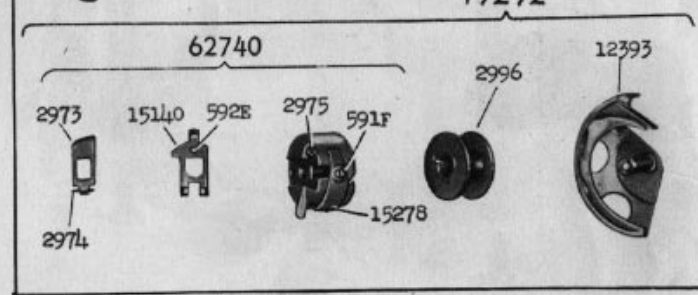
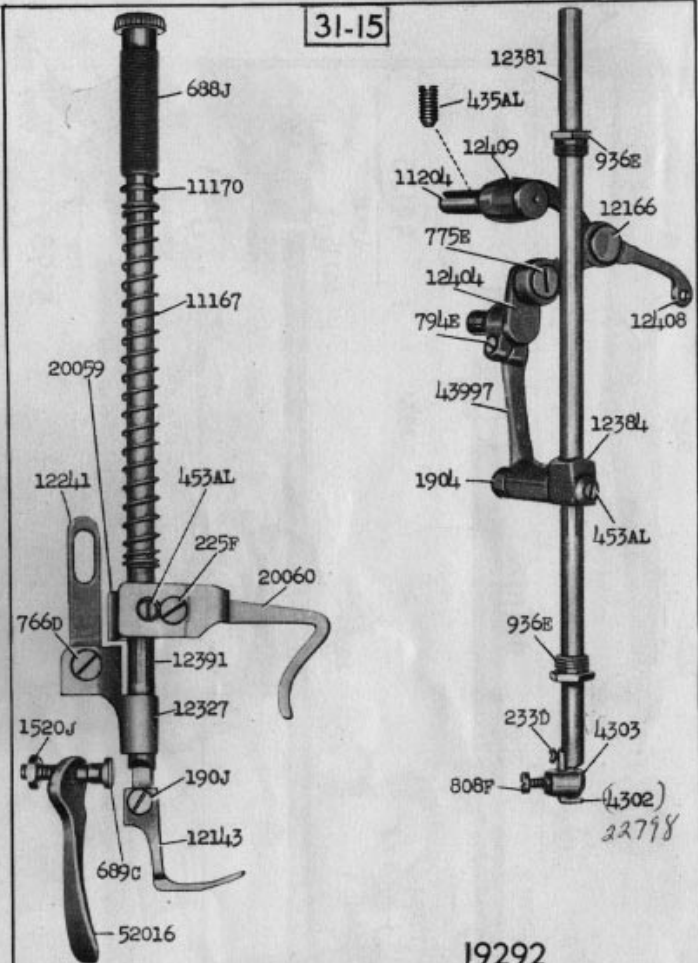


31-15

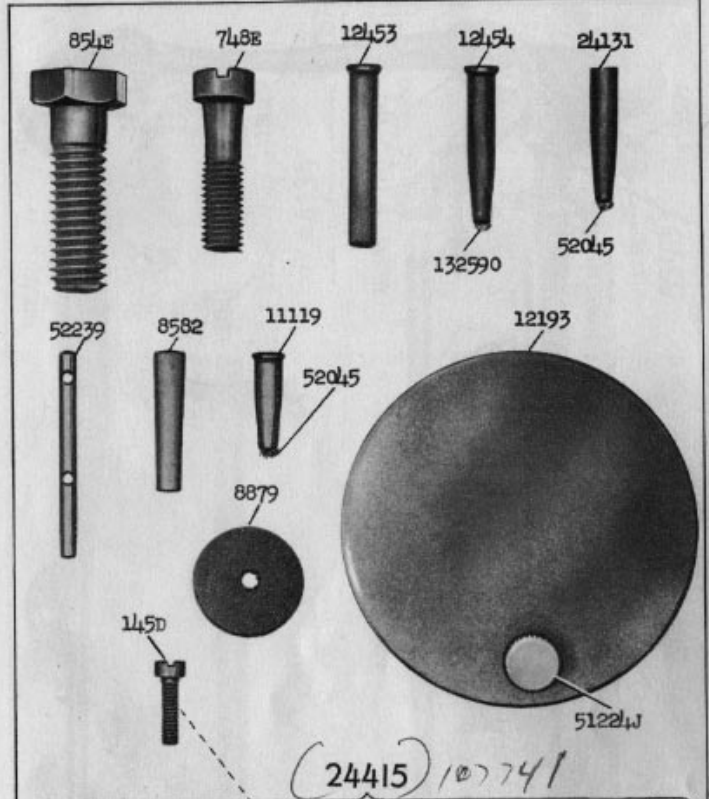
22305 - 1/3

22306 - 1/2

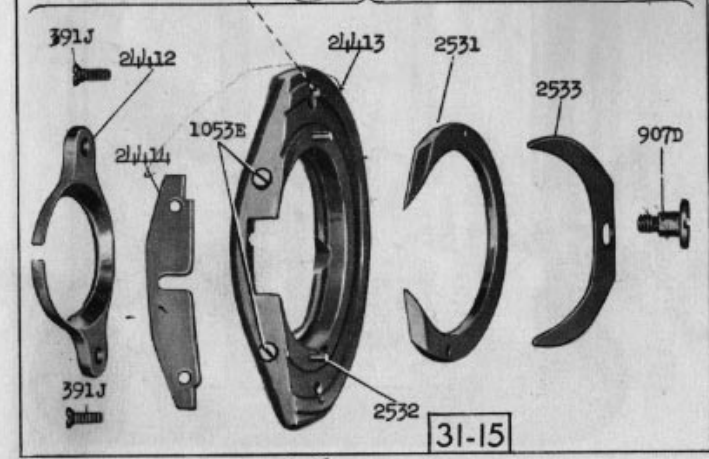
31-15



22307 - 2/3



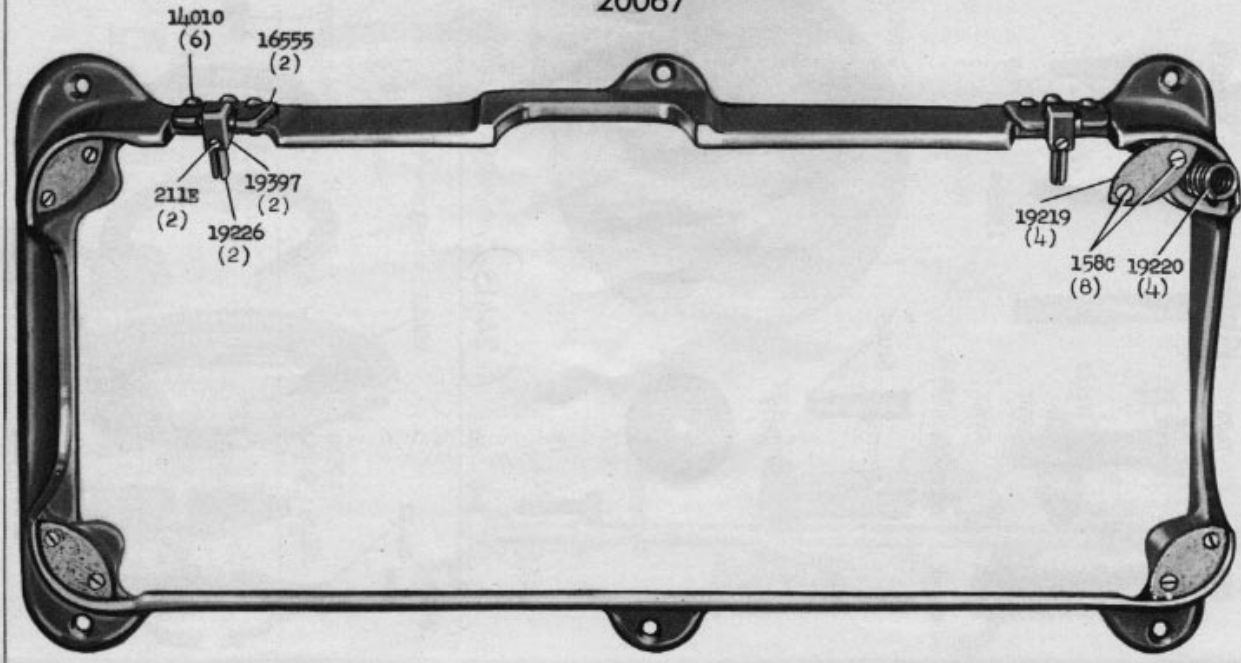
(24415) 107741



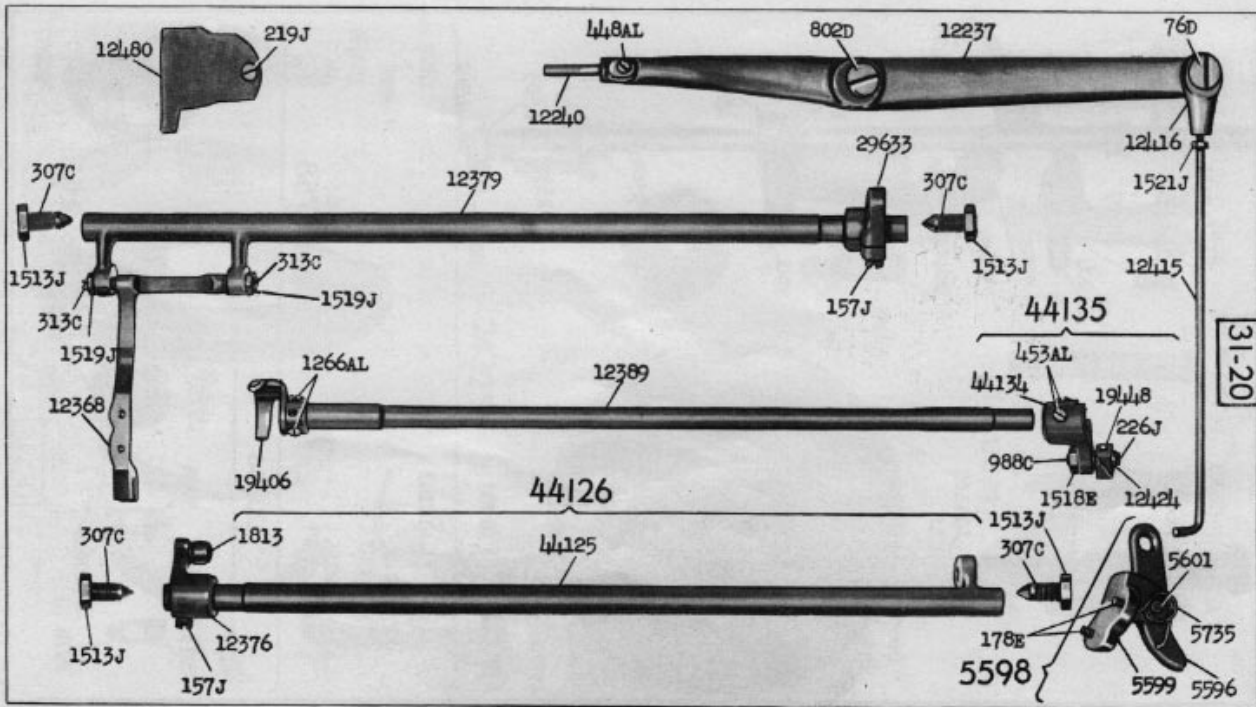
31-15

Stal Race 139643

20067



22309 - 1/3

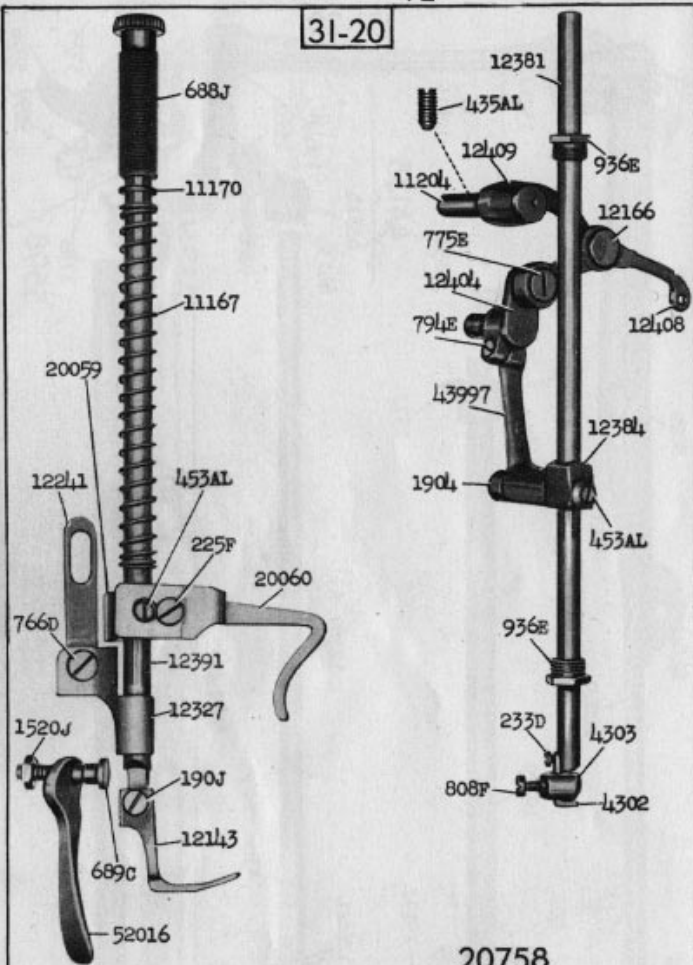


31-20

22315 - 1/3

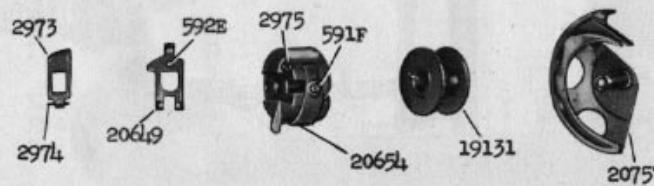
22316 - 1/2

31-20

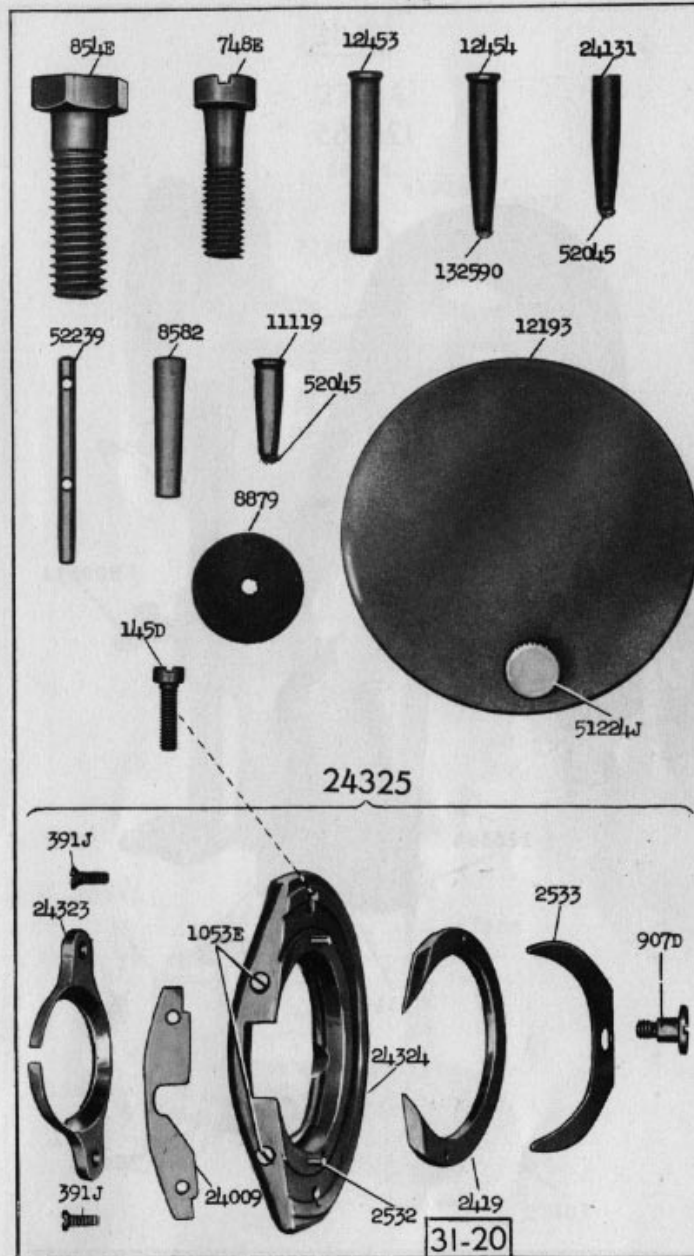


20758

20756

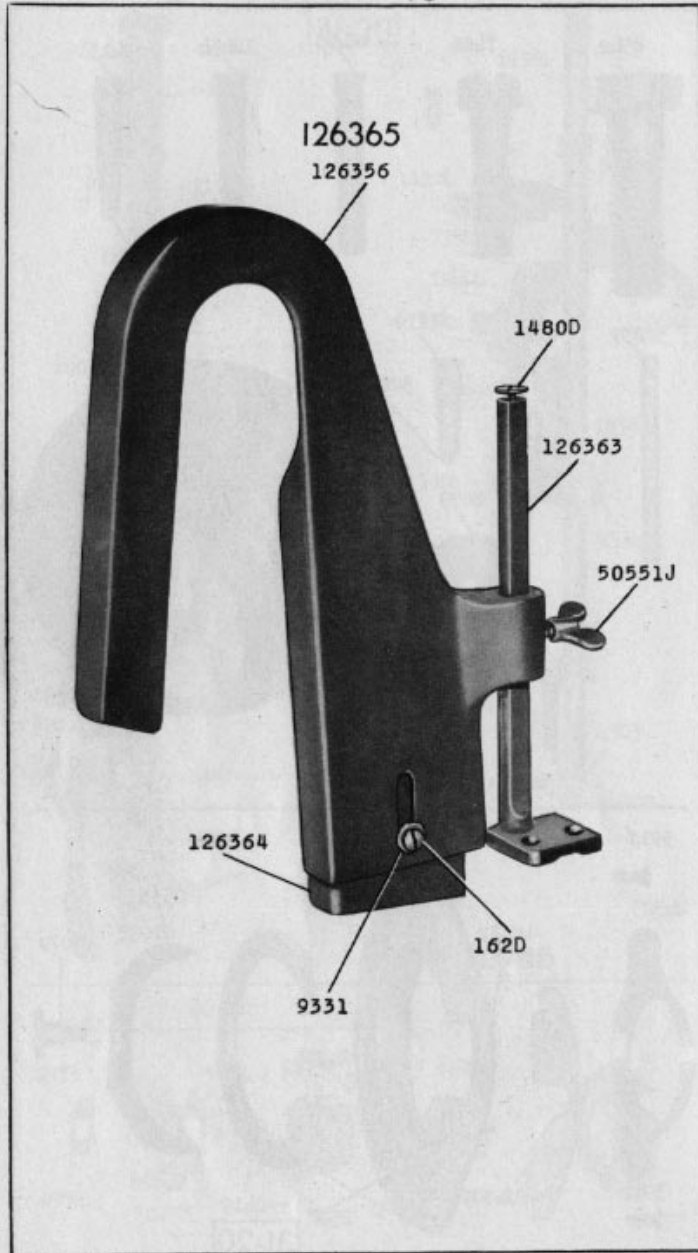


22317 - 2/3



31-20

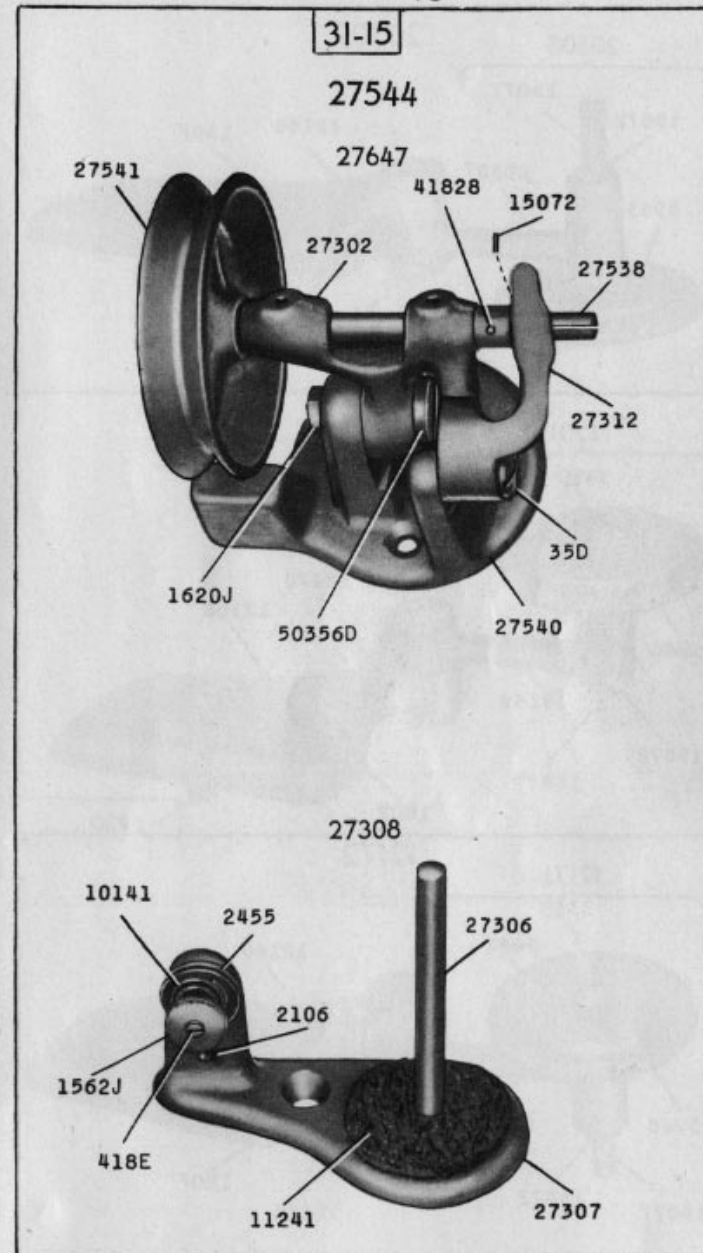
22332 - 1/3



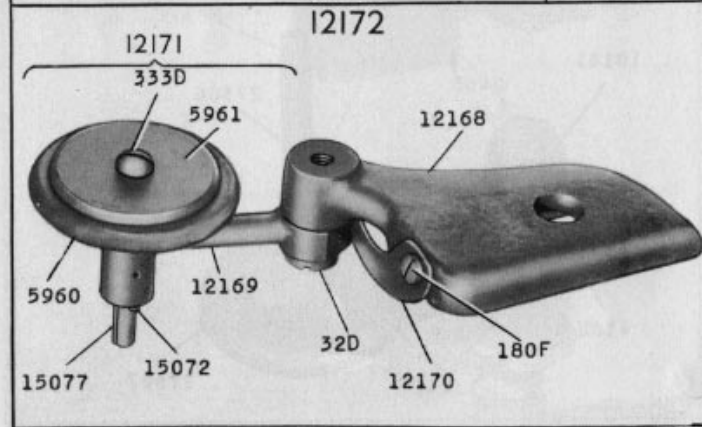
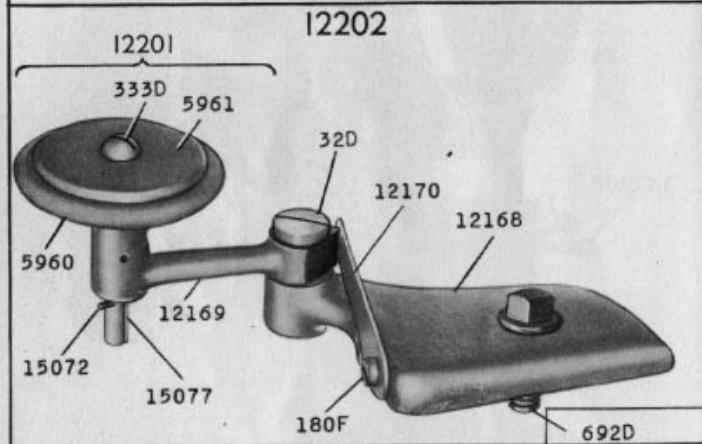
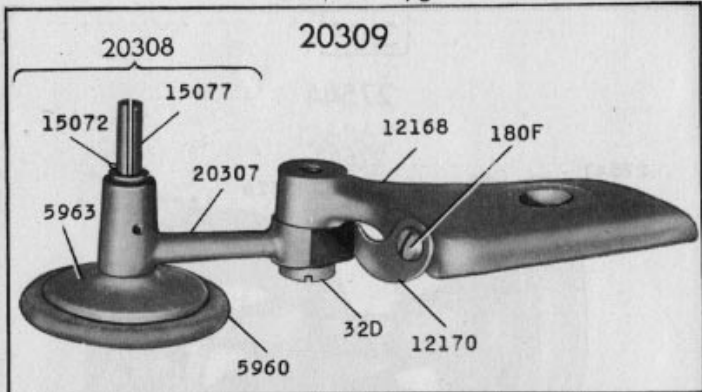
22333 - 2/3

31-15

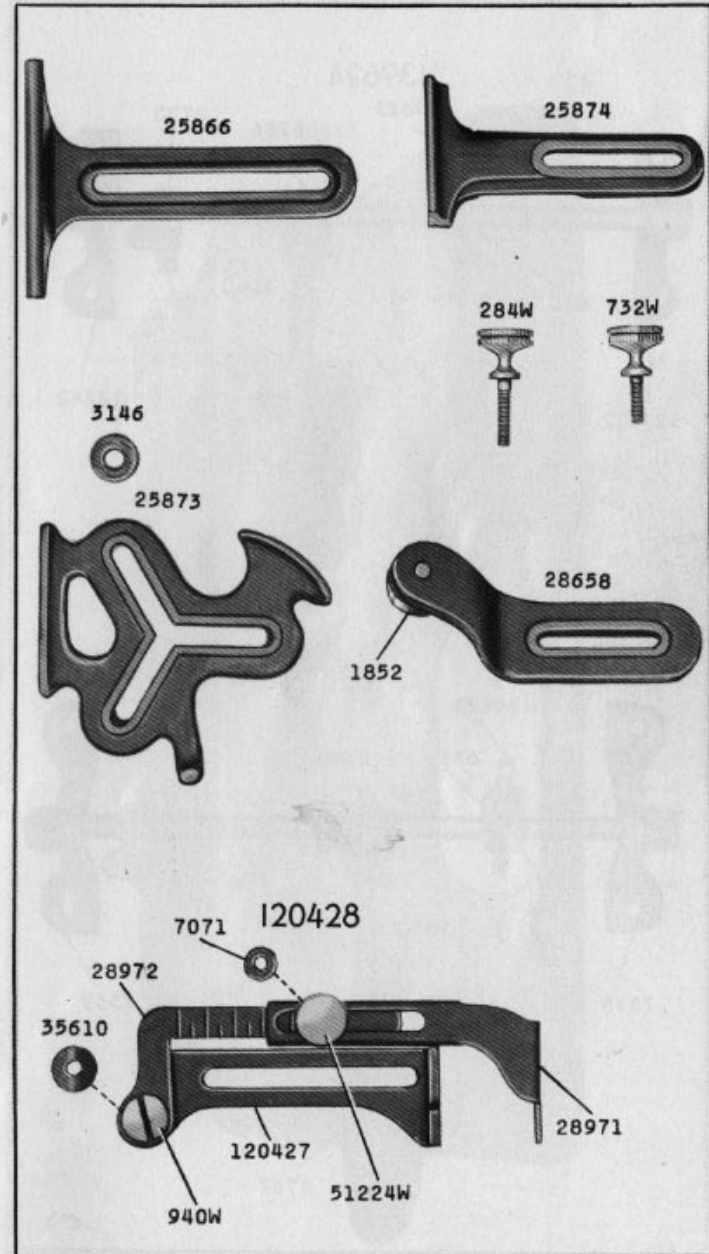
27544



22335 - 2/3

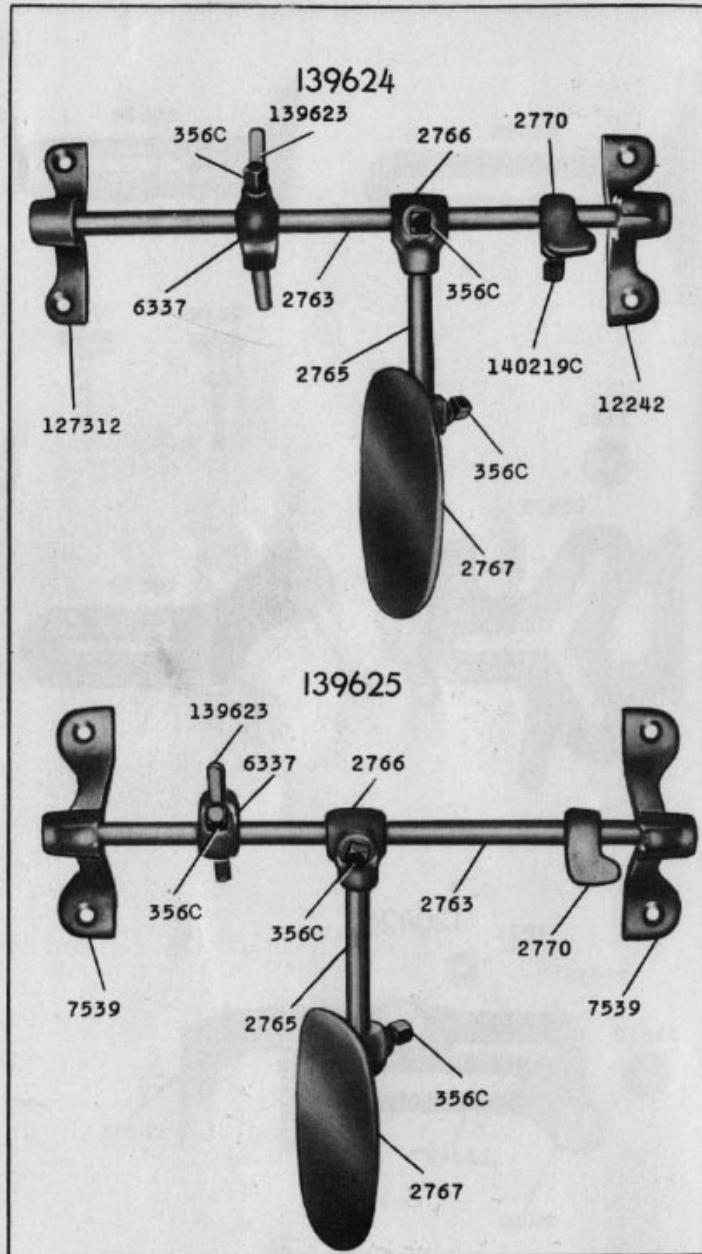


22337 - 2/3

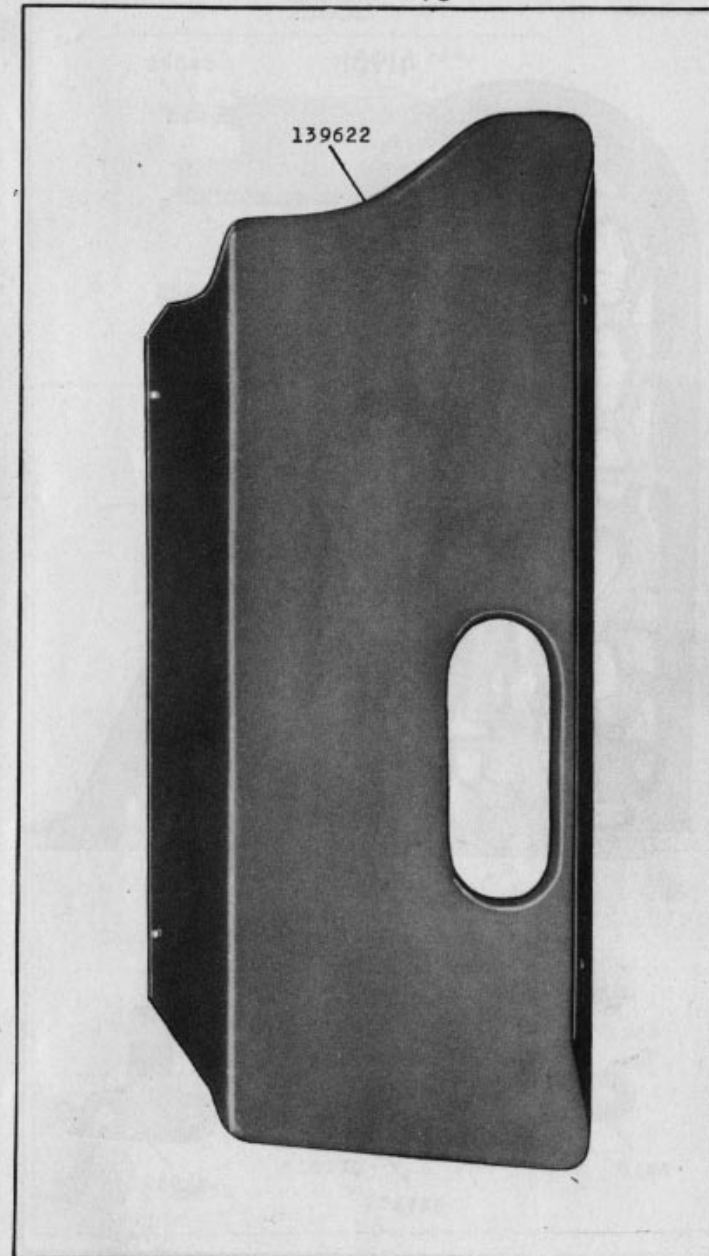


8930-7

22338 - 1/3

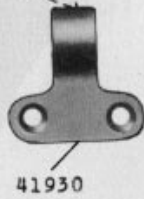
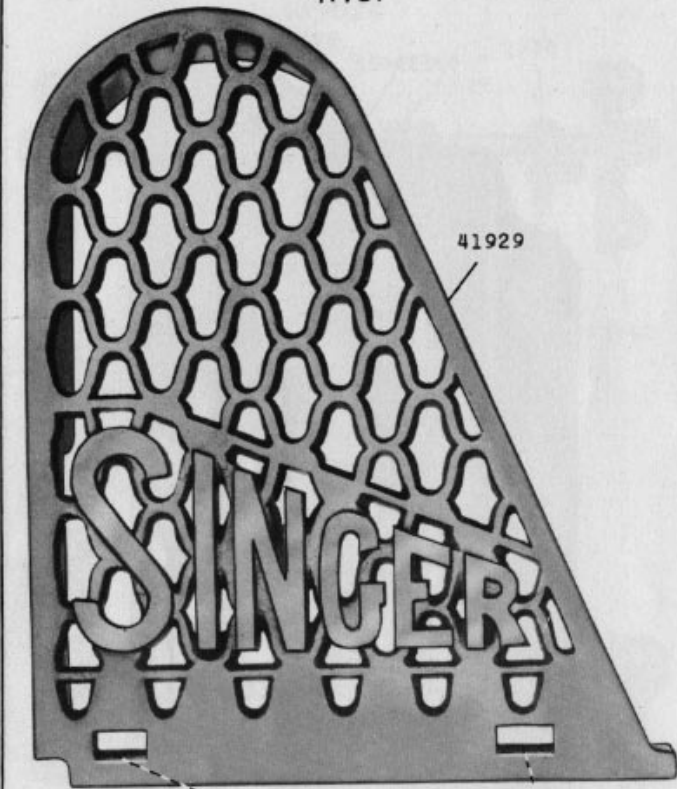


22341 - 1/3



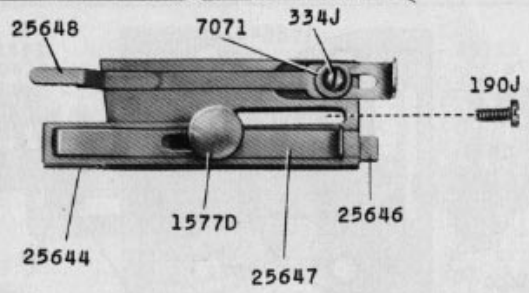
22343 - 1/2

41931

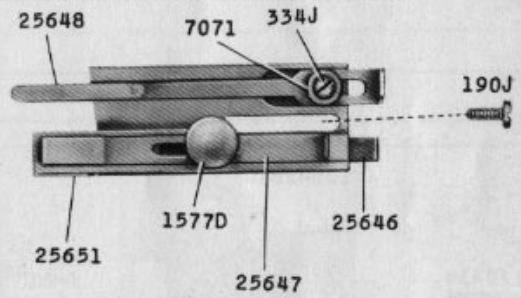


22912 - 2/3

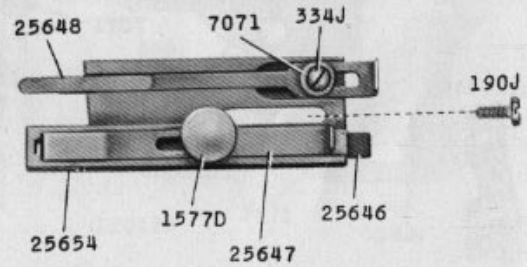
25650



25653

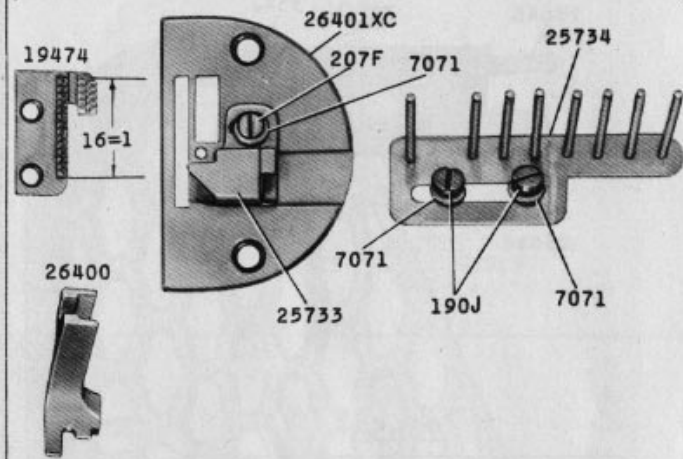


25656



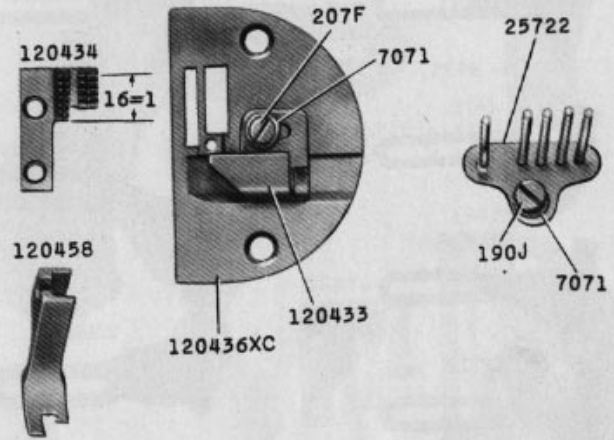
22916 - 2/3

26402

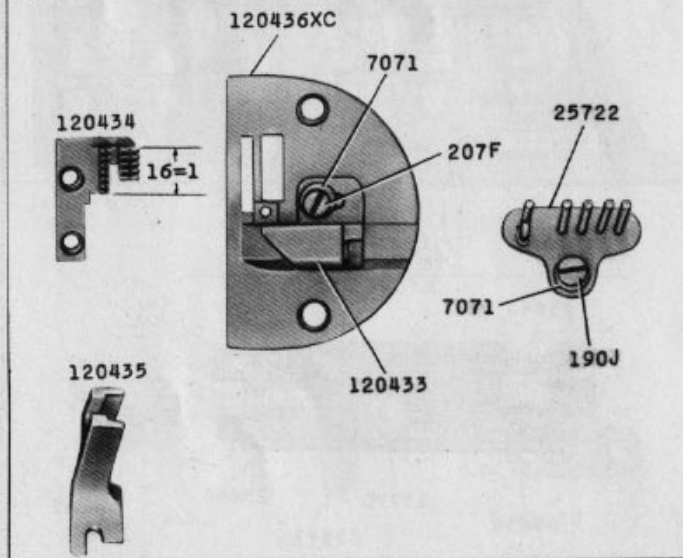


22918 - 2/3

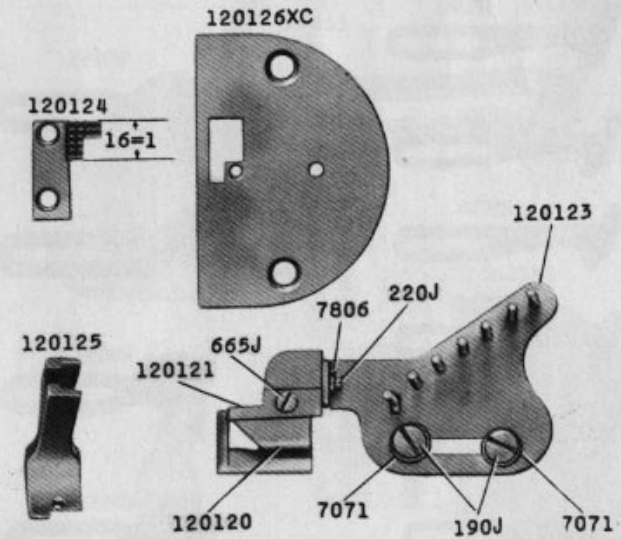
120459



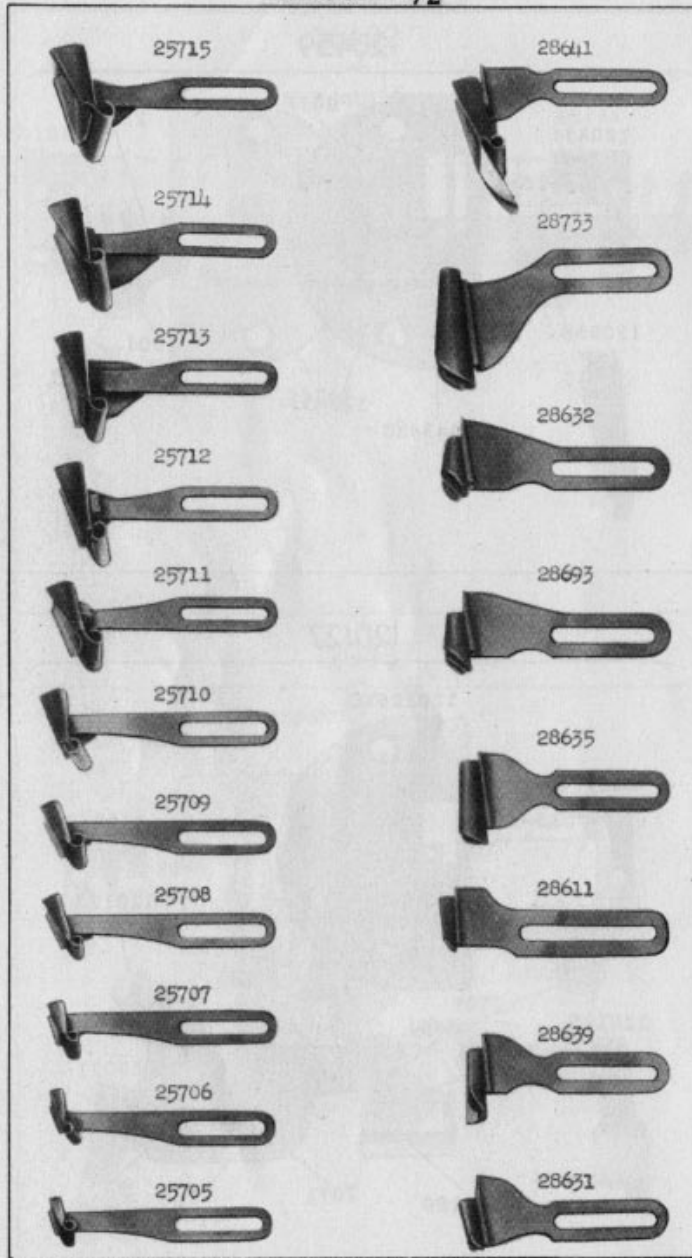
120437



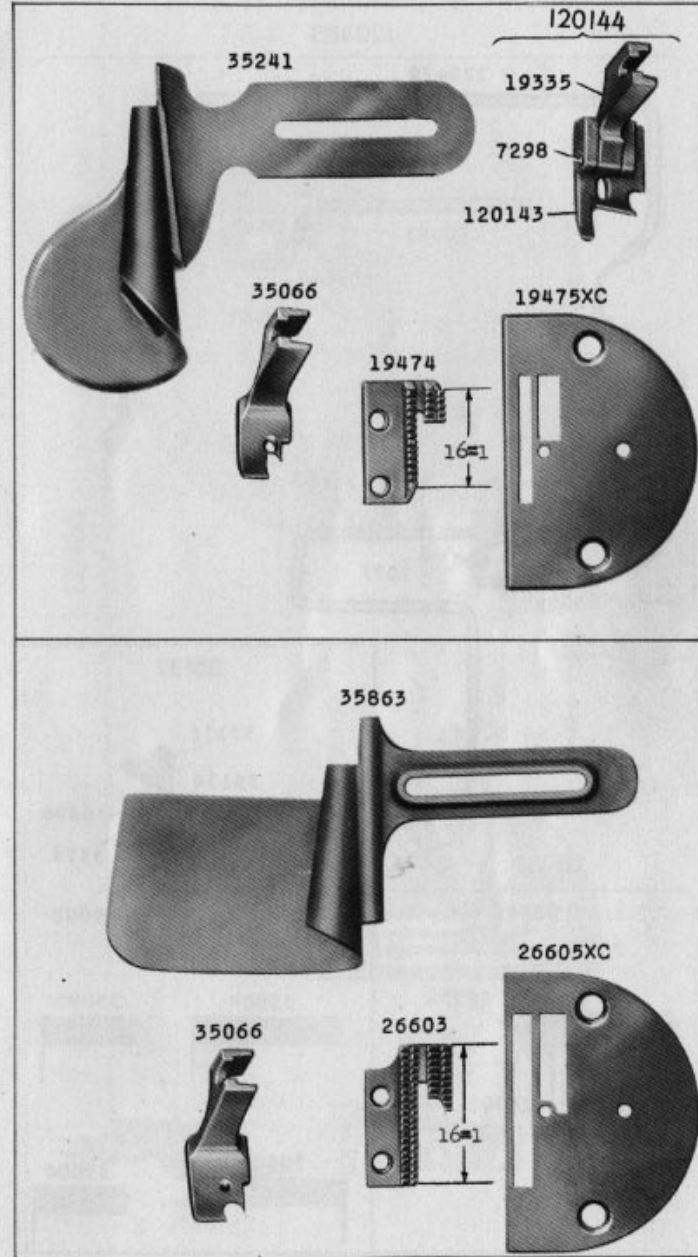
120127



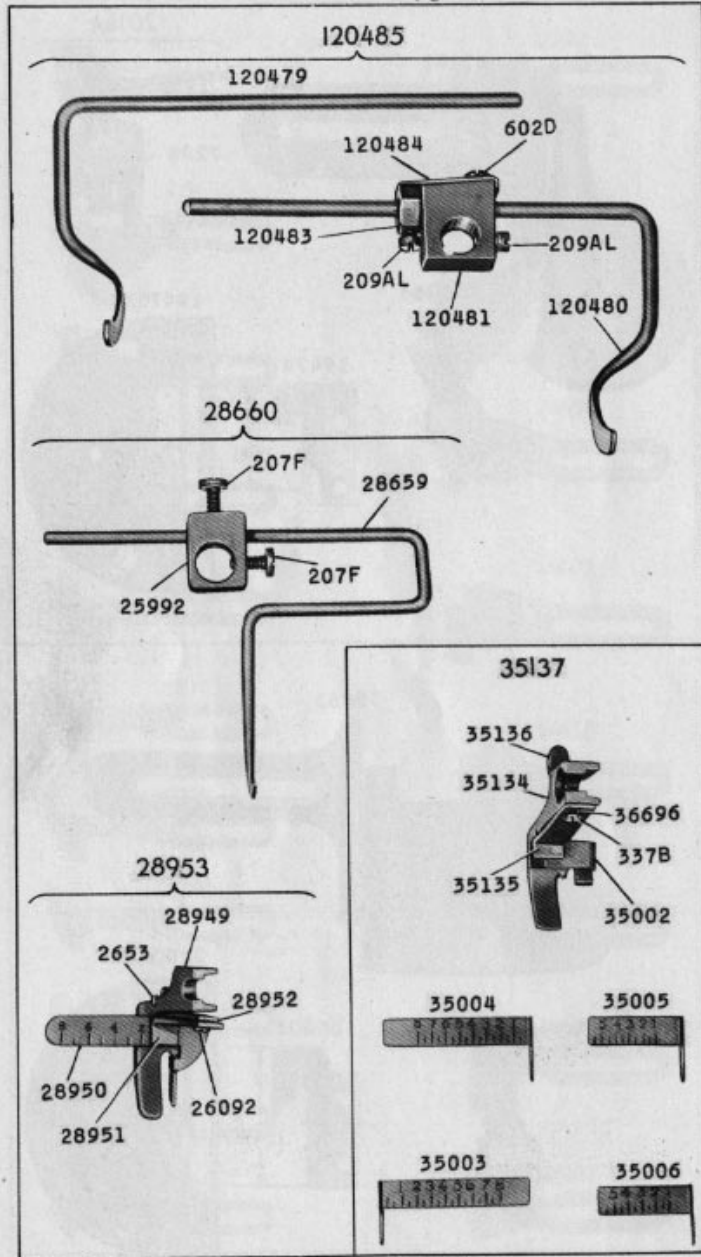
22922 - 1/2

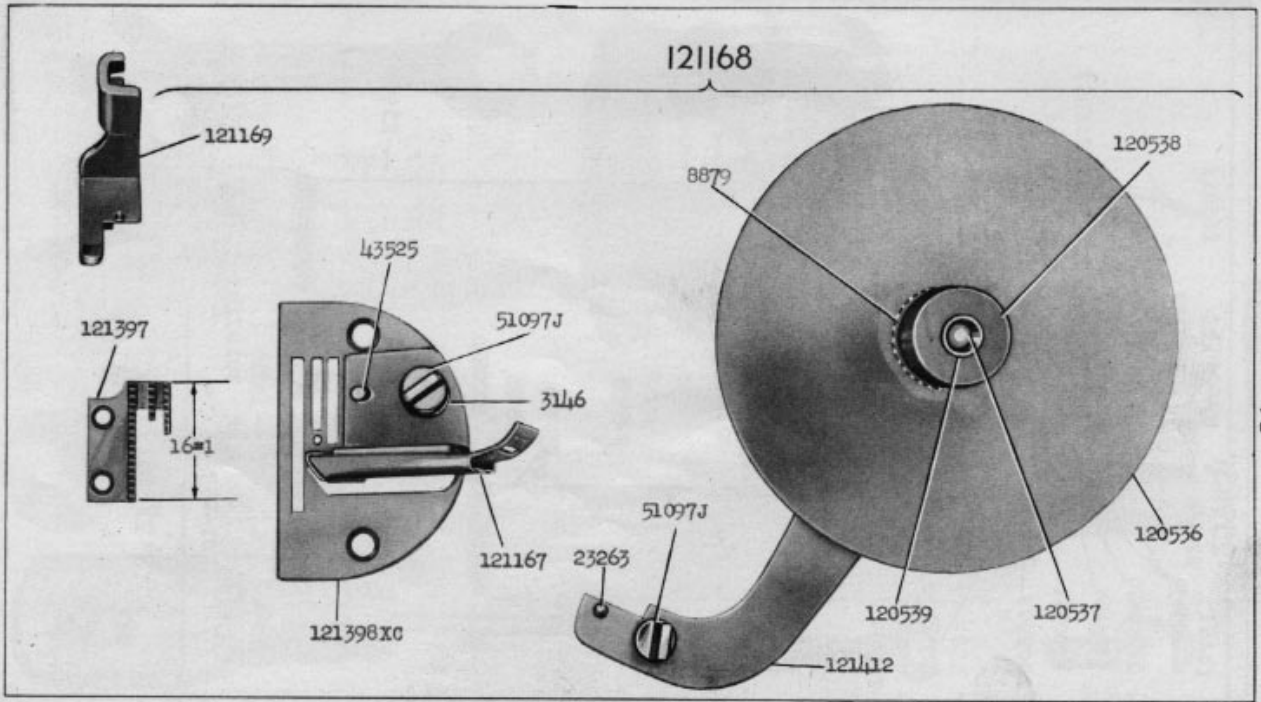


22943 - 2/3



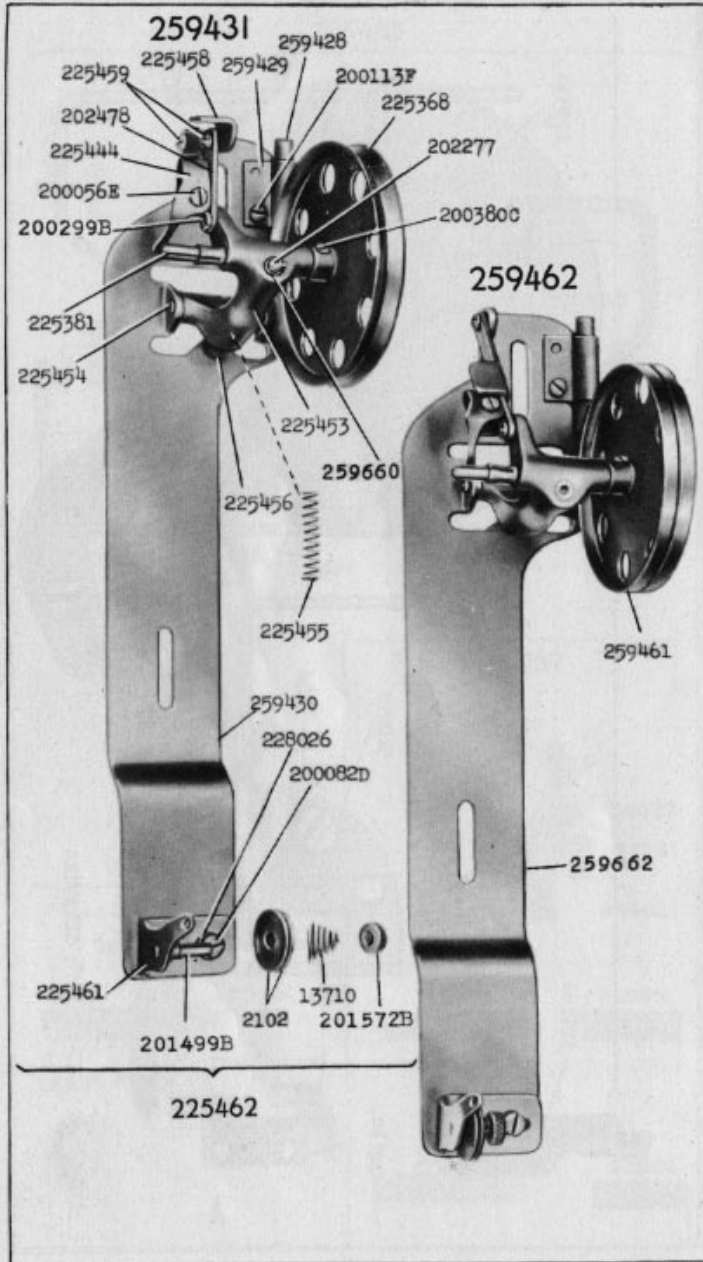
22946 - 2/3



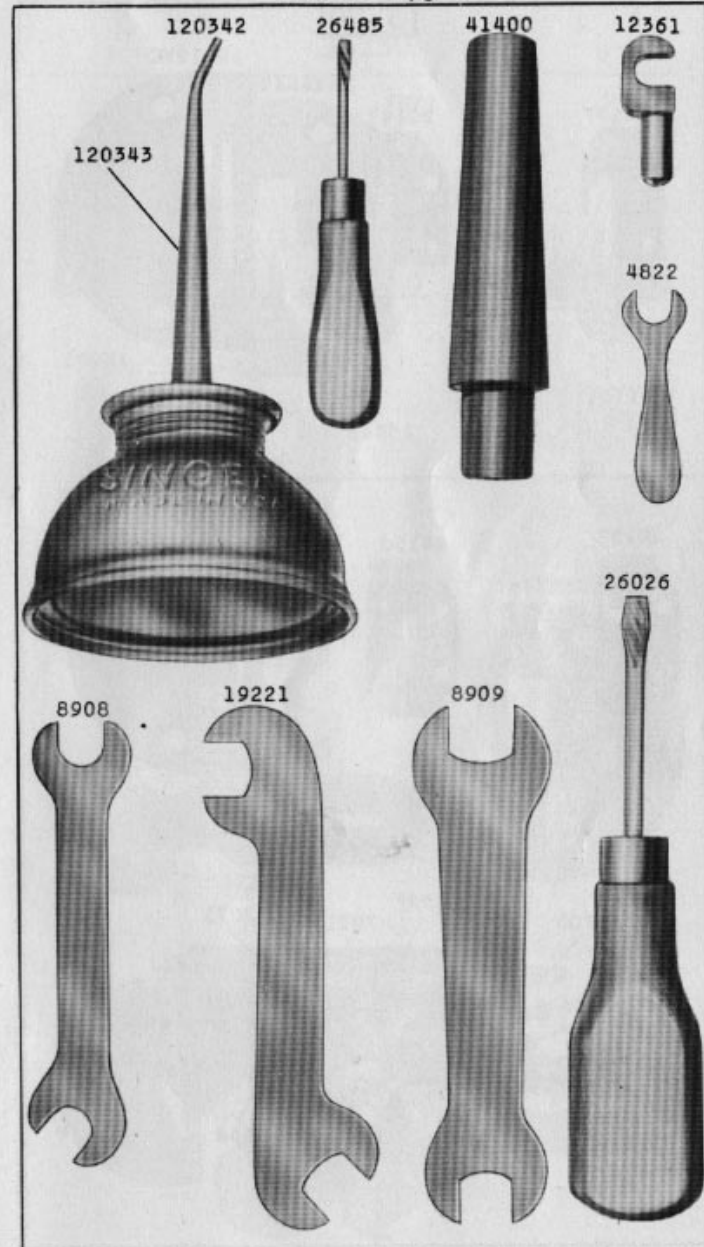


23249 - 2/3

23253 - 3/8



24059 - 2/3



24060 - 2/3

31-20

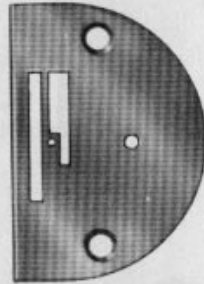
44177



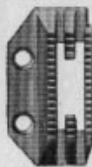
20147



19412XC



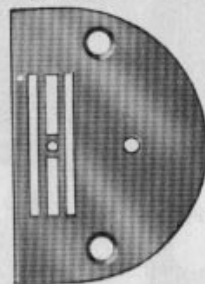
20158



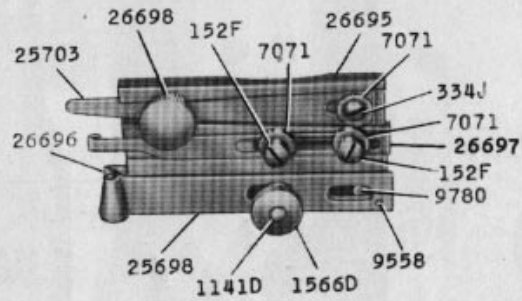
44156



19418XC



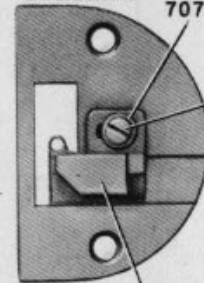
26694



24061 - 2/3

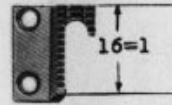
26250

121445XC



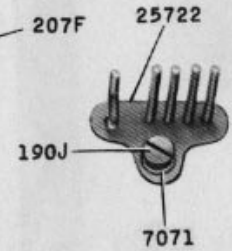
7071

121444



16=1

207F



25722

190J

7071

25983



25721

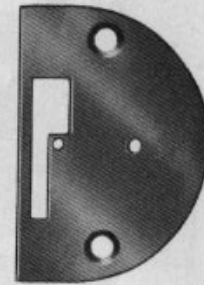
52056



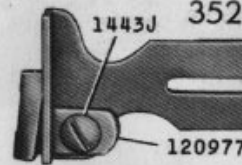
44253



44256XC



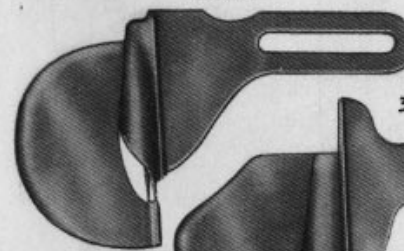
35245



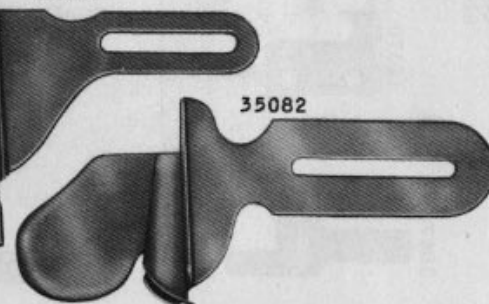
1443J

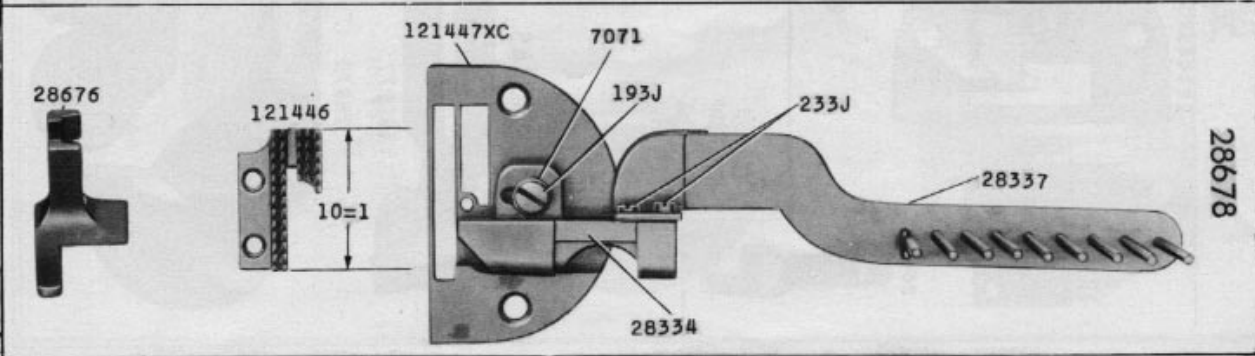
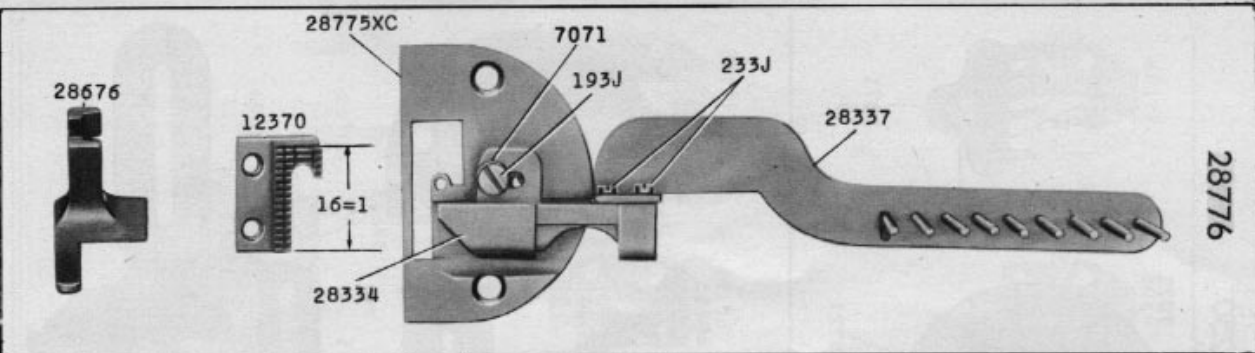
120977

28970

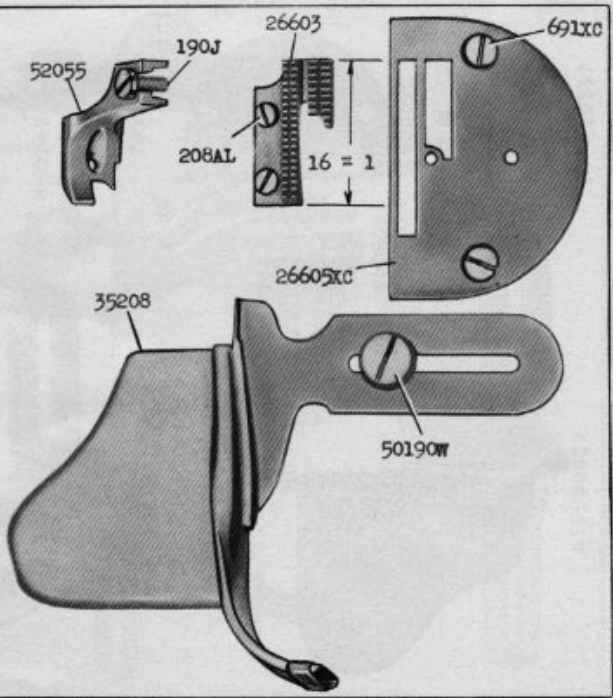
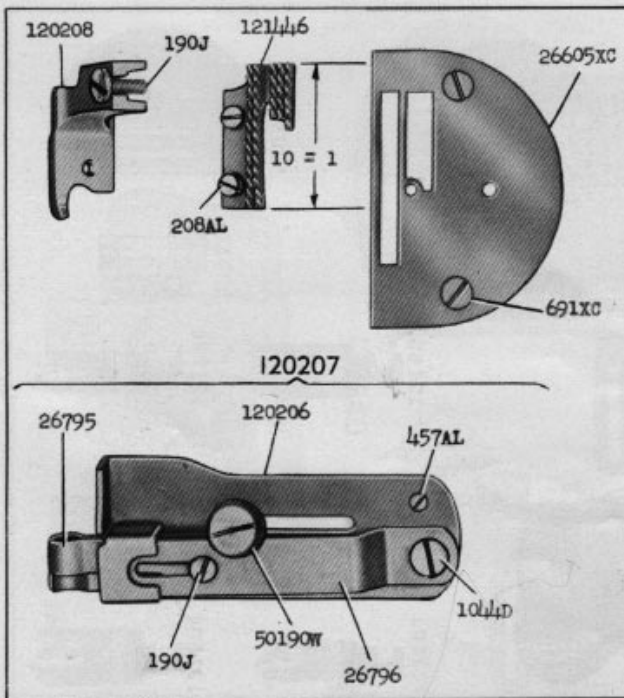


35082

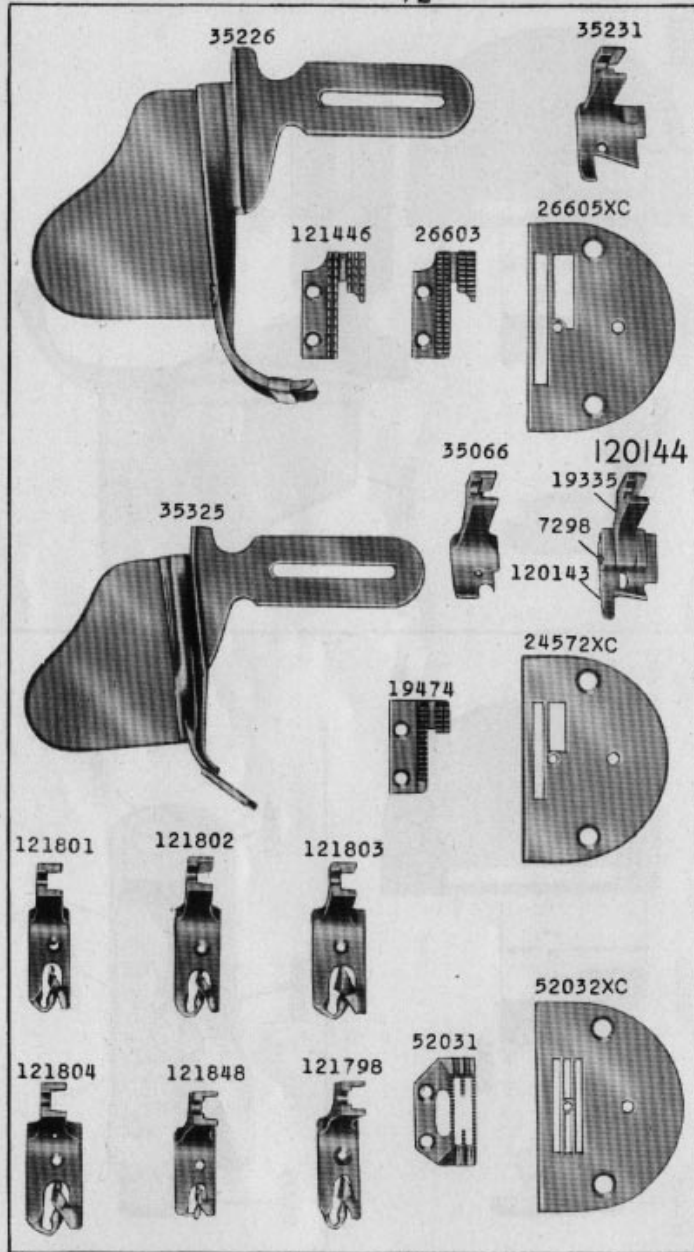




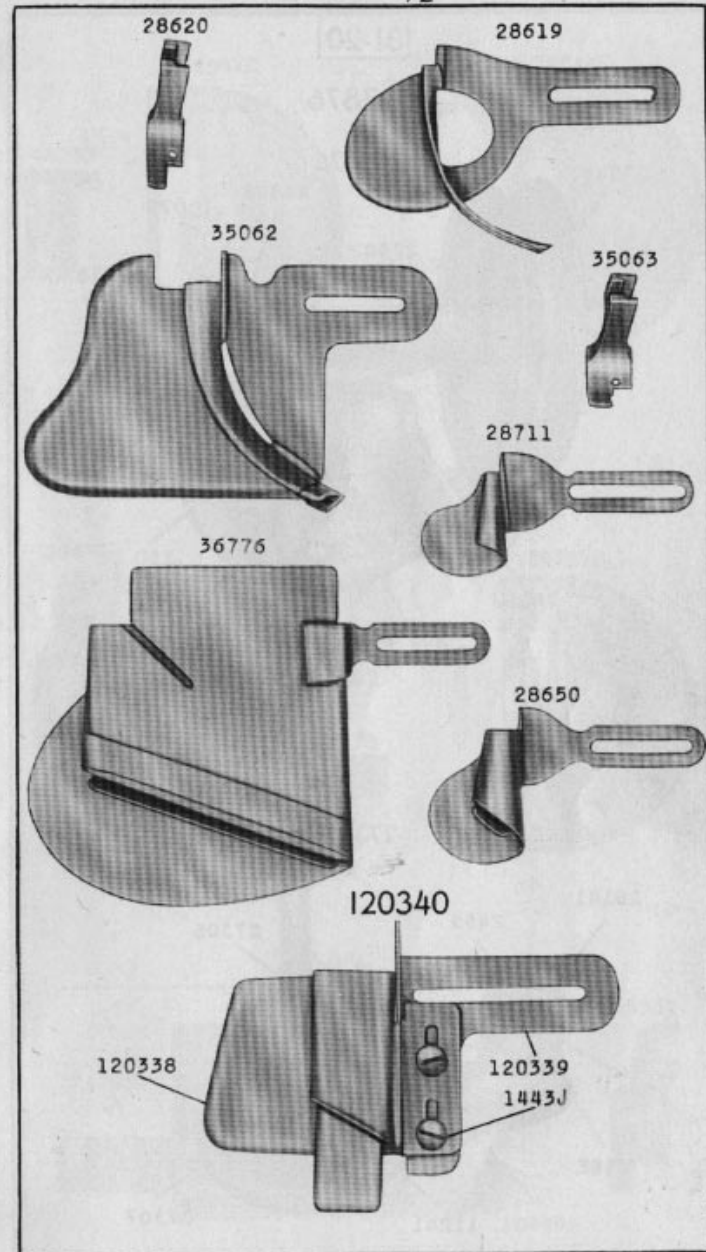
8 - 0668



24064 - 1/2



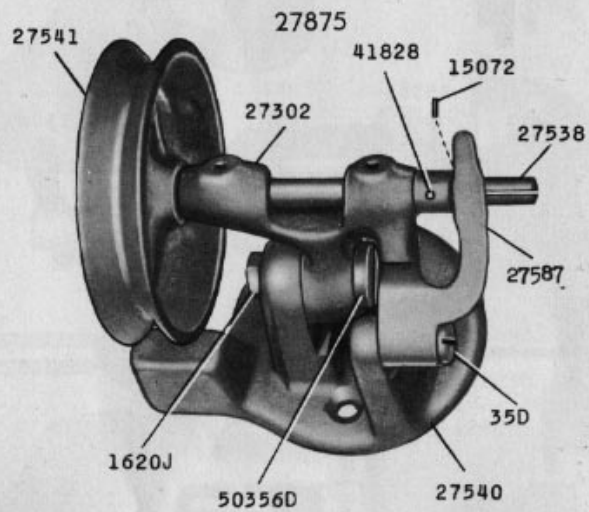
24065 - 1/2



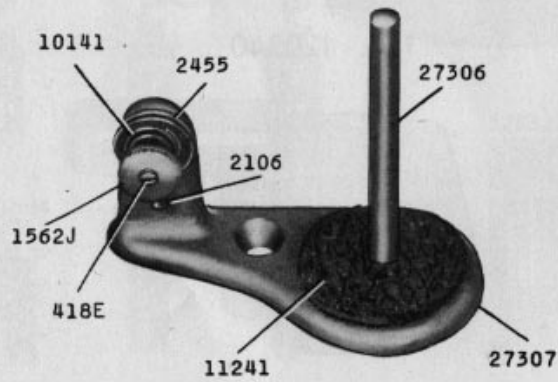
24066 - 2/3

31-20

27876



27308



24067 - 2/3

44255XC

12464XC

44253

20348

12450

28671

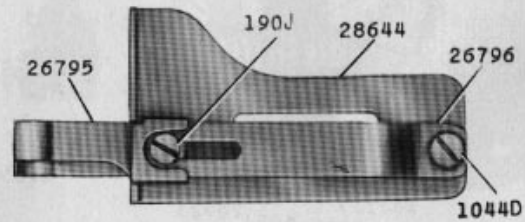
12481

12482XC

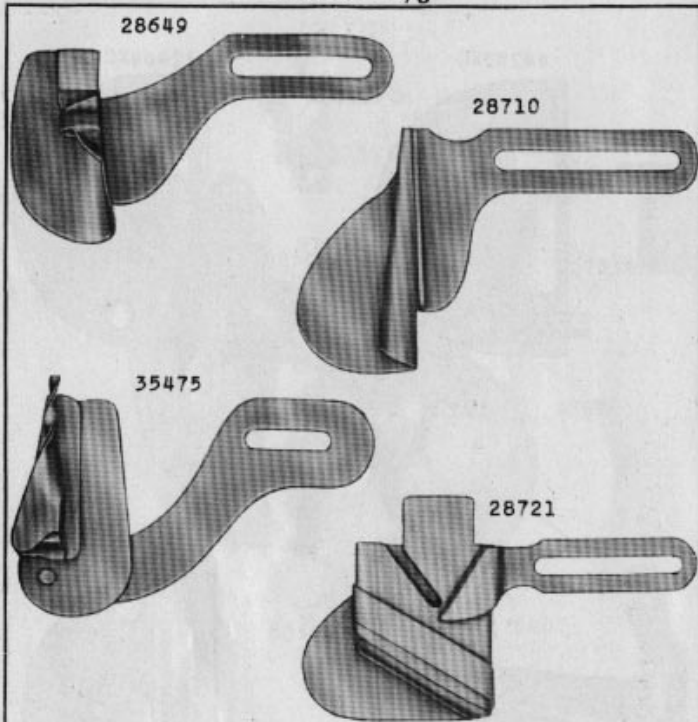
43978

28645

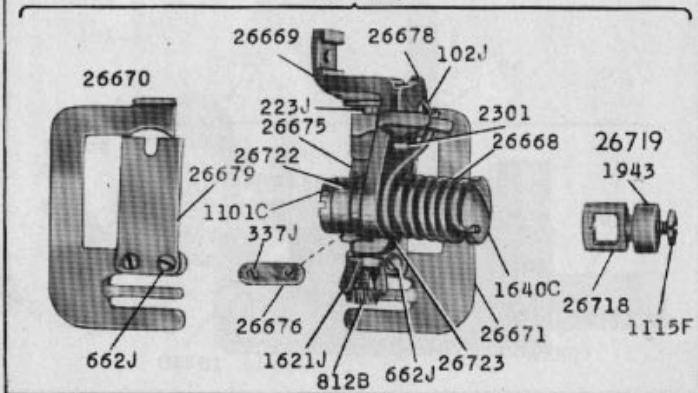
35562



24068 - 2/3

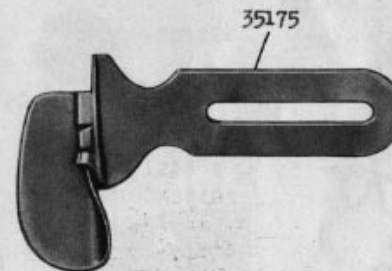
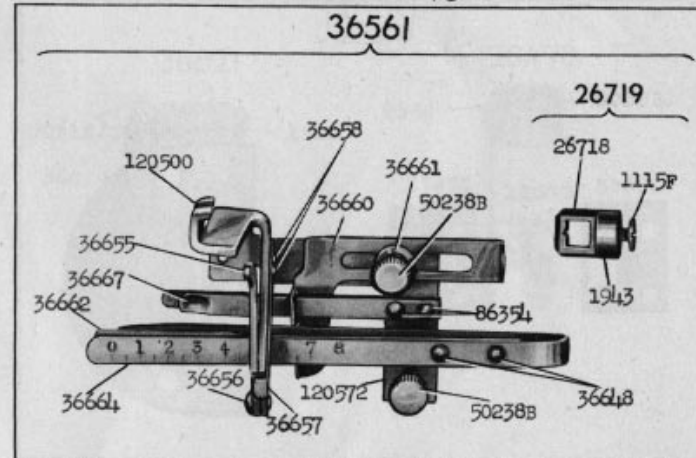


26724



24069 - 2/3

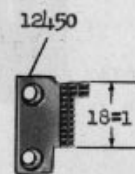
36561



35176



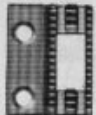
12451XC



24070 - 2/3

31-15

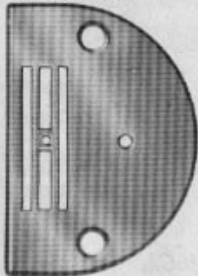
12468



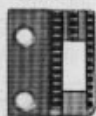
20471



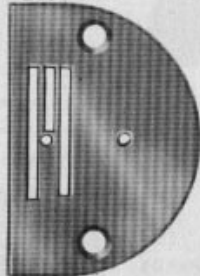
139616XC



12455

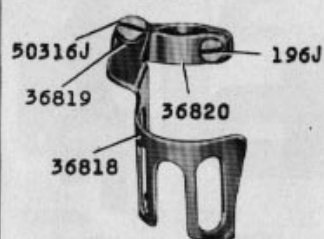


20398XC

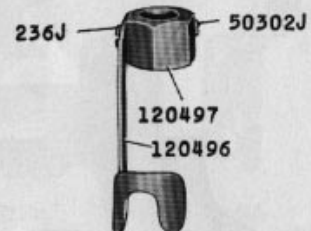


24071 - 2/3

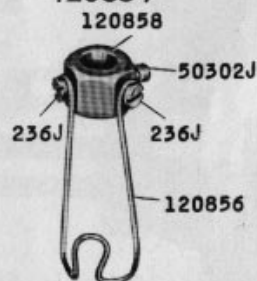
36821



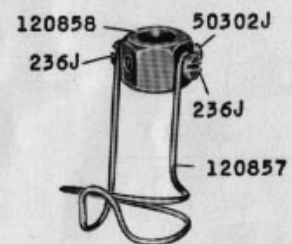
120498



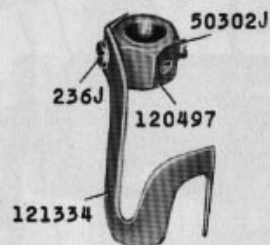
120859



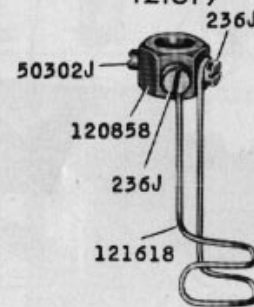
120860



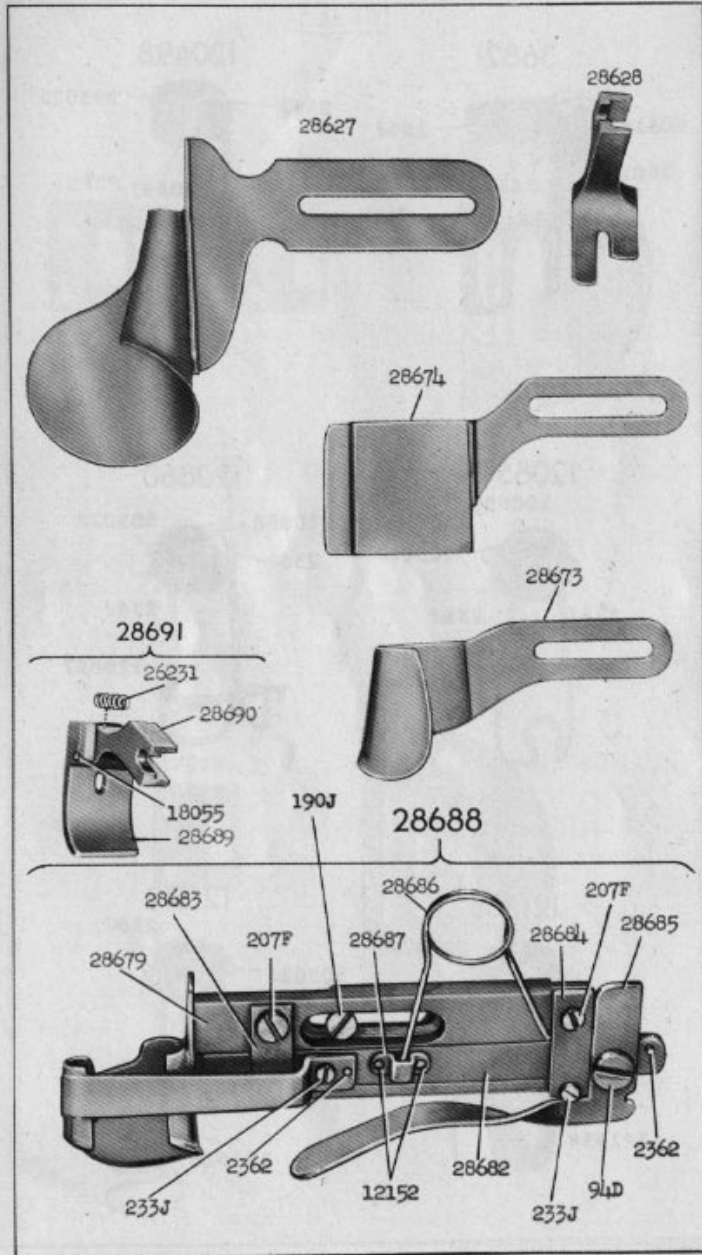
121335



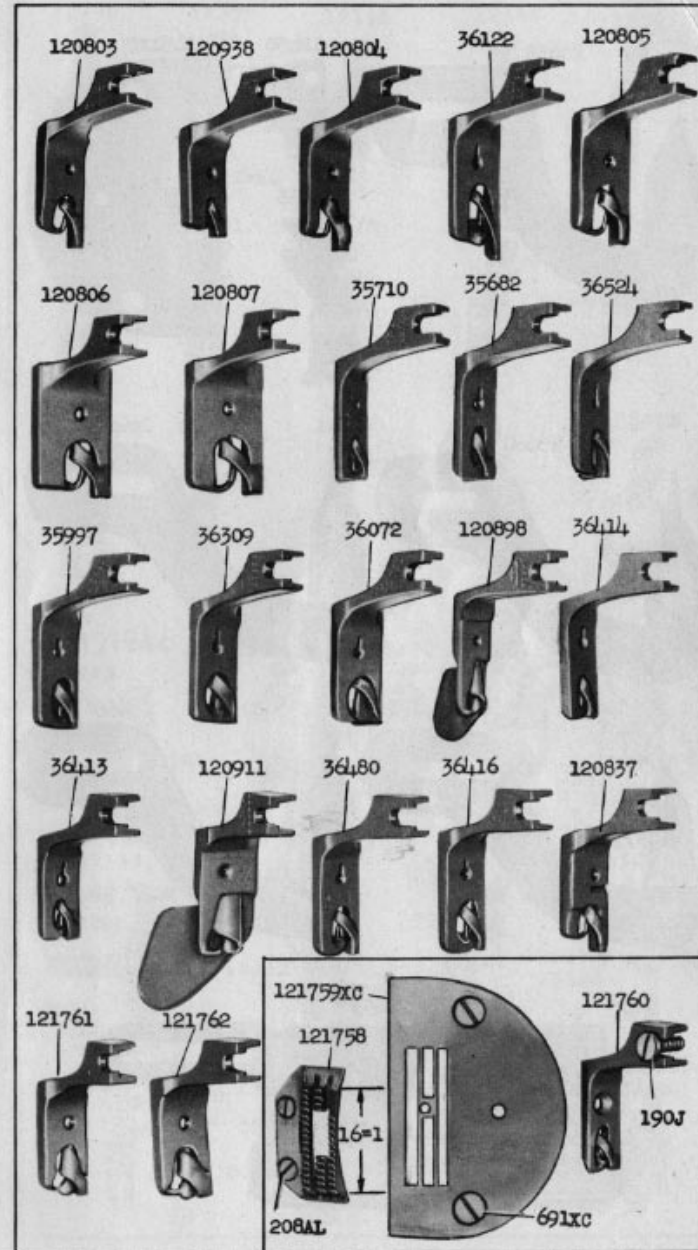
121619



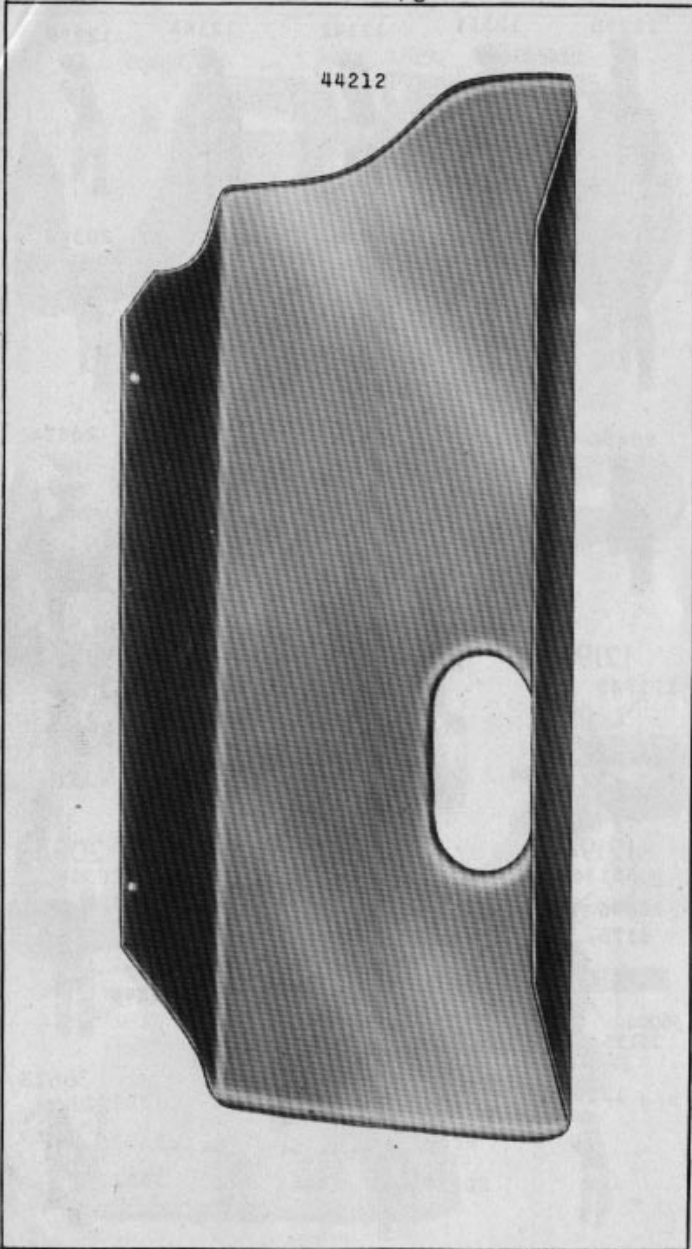
24072 - 2/3



24073 - 2/3



24076 - 1/3



24077 - 1/2

