

Singer 31-47

Form 20753
(155)
Printed in U. S. A.

HISTORICAL COPY
DO NOT REMOVE

LIST
OF
PARTS



SINGER**

MACHINE No. 31-47

THE SINGER MANUFACTURING COMPANY

**A Trade Mark of THE SINGER MANUFACTURING COMPANY

INSTRUCTIONS FOR OILING

To ensure easy running and prevent unnecessary wear of the parts which are in movable contact, the machine requires oiling, and when in continuous use, "TYPE B" or "TYPE D" OIL, sold by Singer Sewing Machine Company, should be applied at least twice each day to all oil holes marked "OIL", as instructed in Form 20109.

"TYPE D" OIL should be used when an oil is desired which will produce a minimum of stain on fabrics, even after a long period of storage.

INDEX

| | Page |
|-----------------------------------|------|
| Attachments and Accessories | 12 |
| Belt Guards | 12 |
| Bobbin Winders | 12 |
| Finger Guards | 14 |
| Foot Lifter Parts | 15 |
| Knee Lifter Parts | 15 |
| Machine Base | 16 |
| Machine No. 31-47 | 7 |
| Numerical List of Parts | 17 |
| Thread Unwinder | 16 |

INSTRUCTIONS FOR ORDERING

In ordering from this list, use **ONLY** the part NUMBER in the **FIRST** column.

The number stamped on a Sewing Machine Part is in every case the number of the single part only.

Every combination of parts sent out as such has its specific number, which, although not stamped on the parts, must be used when ordering the combination.

Each number always indicates the **SAME PART** in whatever list it appears, or for whatever machine.

The letters after some of the numbers indicate the style of finish only, as follows:

- A—Hardened, Polished, Nickel Plated and Buffed
- A.A—Buffed and Chromium Plated
- A.B—Hardened, Polished, Buffed and Chromium Plated
- A.C—Brown Baking Enamel Finish
- A.D—Gray Baking Enamel Finish
- A.E—Hardened, Bright Rumbled and Nickel Plated
- A.F—Hardened, Bright Rumbled, Nickel Plated, Bright Rumbled and Chromium Plated
- A.G—Alumilite, Plain
- A.H—Alumilite, Dyed
- A.J—Polished, Nickel Plated and Chromium Plated
- A.K—Hardened, Polished, Nickel Plated and Chromium Plated
- A.L—Heat Treated for Toughness
 - B—Polished, Nickel Plated and Buffed
 - C—Hardened Only
- C.R—Hardened and Merlized
 - D—Polished Only
 - E—Soft, Not Polished
 - F—Hardened and Polished
- F.J—Hardened, Polished and Nickel Plated
- G—Bright Rumbled and Nickel Plated
- H—Blued
- J—Nickel Plated Only
- K—Hardened and Nickel Plated
- L—Brass Plated
- M—Oxidized
- N—Japanned, Dull
- P—Japanned, Bright
- P.P—Wrinkle Finish
- R—Merlized
- S—Cadmium Plated
- T—Copper Plated
- T.A—Hardened, Polished, Copper and Nickel Plated and Buffed
- T.B—Copper and Nickel Plated and Polished
- T.J—Copper and Nickel Plated Only
- T.K—Hardened, Copper and Nickel Plated
- T.L—Copper and Brass Plated
- T.M—Copper Plated and Oxidized

INSTRUCTIONS FOR ORDERING—Continued

- U—Zinc Plated
 - V—Silver Plated
 - W—Polished and Nickel Plated
 - X—Black Oxide, for Iron and Steel
 - X.C—Hardened and Black Oxide, for Iron or Steel
 - Y—Black Nickel Plated Only
 - Z—Chromium Plated
 - Z.A—Hardened, Polished, Nickel Plated, Buffed and Chromium Plated
 - Z.B—Polished, Nickel Plated, Buffed and Chromium Plated
 - Z.C—Hardened and Chromium Plated
 - Z.D—Polished and Chromium Plated
 - Z.G—Bright Rumbled, Nickel Plated, Bright Rumbled and Chromium Plated
 - Z.J—Nickel and Chromium Plated
 - Z.T—Copper and Chromium Plated
- These letters **MUST BE USED** when they appear in the list; and **AFTER** the number as in the list.

In this series:

1 to 1500, 50001 to 51500 and 140001 to 142000 are Screw Numbers

1501 to 1800 and 51501 to 51800 are Nut Numbers

1801 to 2000 and 51801 to 52000 are Roller Numbers

2001 to 50000 and 52001 to 140000 and 142001 to 190000 are Sewing Machine Parts, 190001 and upward are numbers of Electrical Parts.

The figures in the second column refer only to the plates, illustrating the parts, and are **NOT TO BE USED** in ordering.

Parts marked with an asterisk (*) are furnished only when repairs are made at factory.

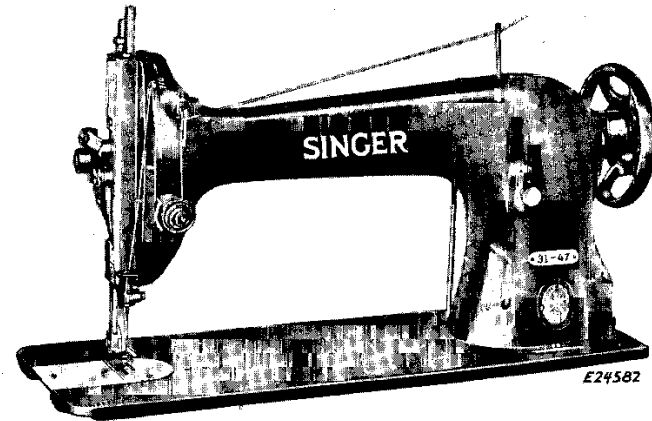
SINGER Needles should be used
in **SINGER** Machines
These Needles and their Containers
are marked with the
Company's Trade Mark "SIMANCO.*" 1

Needles in Containers marked
"FOR SINGER MACHINES"
are **NOT SINGER** made needles. 2

LIST OF PARTS COMPLETE

7

FOR



MACHINE No. 31-47

FOR MEDIUM AND HEAVY COATED FABRICS, PLAIN CLOTH AND LEATHER. HIGH LIFT. CLEARANCE UNDER PRESSER FOOT 3/8". MAXIMUM STITCH LENGTH 5-1/3 TO THE INCH. ALTERNATING PRESSERS. SPEED 2000, DEPENDING ON MATERIALS USED AND OPERATIONS PERFORMED.

SINGER Needles should be used in SINGER Machines. These Needles and their Containers are marked with the Company's Trade Mark "SIMANCO.**" 1

Needles in Containers marked "FOR SINGER MACHINES" are NOT SINGER made needles. 2

| No. | Plate | Name |
|--------|-------|---|
| *20339 | | Arm with 11104..... |
| 8582 | 22119 | Arm Dowel Pin (2)..... |
| 12453 | 22119 | Arm Oil Tube for intermediate bearing..... |
| 11119 | 22119 | Arm Oil Tube (front of arm) with 52045, for oiling 12408 and 19365..... |
| 12454 | 22119 | Arm Oil Tube with 132590, for oiling 12409..... |
| 24131 | 22119 | Arm Oil Tube with 52045, for oiling 20283..... |
| 132590 | 22119 | Arm Oil Tube Oil Pad (wick) for 12454..... |
| 52045 | 22119 | Arm Oil Tube Packing (braided cotton) (2)..... |
| 748E | 22119 | Arm Screw (back) (2)..... |
| 854E | 22119 | Arm Screw (front) (2)..... |
| 12427 | 22120 | Arm Shaft..... |
| 44121 | | Arm Shaft 12427 with 20283, 62637 and 127152..... |
| 44195 | | Arm Shaft 44121 with 20197..... |
| 11104 | 22120 | Arm Shaft Bushing (front)..... |
| 12357 | 22120 | Arm Shaft Flanged Bushing (back)..... |
| 448AL | 22120 | Arm Shaft Flanged Bushing (back) Set Screw..... |
| 144D | 22120 | Arm Shaft Screw..... |
| 12193 | 22119 | Arm Side Cover..... |
| 51224W | 22119 | Arm Side Cover Thumb Screw..... |
| 52239 | 22119 | Arm Spool Pin and Thread Eyelet..... |
| 8879 | 22119 | Arm Spool Pin Washer (cloth)..... |
| *12360 | | Bed..... |
| 256J | 22120 | Clamp Stop Motion Clamp Screw..... |
| 248A | 22120 | Clamp Stop Motion Clamp Stop Screw..... |
| 2020 | 22120 | Clamp Stop Motion Clamp Washer..... |
| 3023 | | Clamp Stop Motion Flanged Bushing..... |
| 4933 | 22120 | Clamp Stop Motion Flanged Bushing 3023 with two 462AL..... |

| No. | Plate | Name |
|---------|-------|--|
| 2022 | | Clamp Stop Motion Flanged Bushing Pin..... |
| 462AL | 22120 | Clamp Stop Motion Flanged Bushing Set Screw (2)..... |
| 3022 | 22120 | Clamp Stop Motion complete, Nos. 248A, 256J, 2020 and 4933..... |
| | | NOTE: No. 3022 is furnished only when specified on order. |
| 20197 | 22120 | Crank Connecting Rod with 125044 and two 896AL..... |
| 896AL | 22120 | Crank Connecting Rod Cap Screw (2)..... |
| 908C | 22120 | Crank Connecting Rod Hinge Screw..... |
| 1619E | 22120 | Crank Connecting Rod Hinge Screw Nut..... |
| 125044 | 22120 | Crank Connecting Rod Oil Pad (felt)..... |
| 19354 | 22119 | Face Plate..... |
| 44181 | 22119 | Face Plate Thread Guard (lower)..... |
| 12150 | | Face Plate Thread Guard (lower) 44181 with 12152..... |
| 12152 | 22119 | Face Plate Thread Guard (lower) Rivet..... |
| 45874 | 22119 | Face Plate Thread Guard (upper)..... |
| 139615 | | Face Plate Thread Guard (upper) 45874 with 125424..... |
| 125424 | 22119 | Face Plate Thread Guard (upper) Rivet..... |
| 19355 | 22119 | Face Plate complete, Nos. 12150, 19354 and 139615..... |
| 219J | 22119 | Face Plate Screw (2)..... |
| 12368 | 22121 | Feed Bar..... |
| 313C | 22121 | Feed Bar Screw Center (2)..... |
| 56813 | | Feed Bar Screw Center 313C with 1519J (2)..... |
| 1519J | 22121 | Feed Bar Screw Center Nut (2)..... |
| 52165 | 22120 | Feed Connecting Link..... |
| 375C | 22120 | Feed Connecting Link Hinge Screw (2)..... |
| 1518J | 22120 | Feed Connecting Link Hinge Screw Nut (2)..... |
| 12481 | 22122 | Feed Dog, 18 teeth (16 teeth to the inch)..... |
| 208AL | 22122 | Feed Dog Screw (2)..... |
| 20283 | 22120 | Feed and Feed Lifting Eccentric with 446AL..... |
| 446AL | 22120 | Feed and Feed Lifting Eccentric Set Screw..... |
| 127152 | 22120 | Feed and Feed Lifting Eccentric Sleeve..... |
| 20284 | 22120 | Feed Forked Connection..... |
| 375C | 22120 | Feed Forked Connection Hinge Screw..... |
| 1518J | 22120 | Feed Forked Connection Hinge Screw Nut..... |
| 43993 | | Feed Forked Connection complete, Nos. 20284, 52165, 56886 and two each 375C and 1518J..... |
| 44125 | 22121 | Feed Lifting Rock Shaft..... |
| 44126 | | Feed Lifting Rock Shaft complete, Nos. 12376 and 44125..... |
| 12376 | 22121 | Feed Lifting Rock Shaft Crank with 157J and 1813..... |
| 157J | 22121 | Feed Lifting Rock Shaft Crank Clamping Screw..... |
| 43976 | 22120 | Feed Lifting Rock Shaft Crank Connecting Rod with 125044 and two 966E..... |
| 966E | 22120 | Feed Lifting Rock Shaft Crank Connecting Rod Cap Screw (2)..... |
| 375C | 22120 | Feed Lifting Rock Shaft Crank Connecting Rod Hinge Screw..... |
| 1518J | 22120 | Feed Lifting Rock Shaft Crank Connecting Rod Hinge Screw Nut..... |
| 125044 | 22120 | Feed Lifting Rock Shaft Crank Connecting Rod Oil Pad (felt)..... |
| 1813 | 22121 | Feed Lifting Rock Shaft Crank Roller and Stud..... |
| 307C | 22121 | Feed Lifting Rock Shaft Screw Center (2)..... |
| 56814 | | Feed Lifting Rock Shaft Screw Center 307C with 1513J (2)..... |
| 1513J | 22121 | Feed Lifting Rock Shaft Screw Center Nut (2)..... |
| 3039 | 22120 | Feed Regulator..... |
| 56886 | | Feed Regulator 3039 with 818W..... |
| 140139E | 22120 | Feed Regulator Hinge Screw..... |
| 139603 | 22120 | Feed Regulator Hinge Screw Friction Washer..... |
| 818W | 22120 | Feed Regulator Thumb Screw..... |
| 12379 | 22121 | Feed Rock Shaft..... |
| 29633 | 22121 | Feed Rock Shaft Crank with 157R..... |
| 157R | 22121 | Feed Rock Shaft Crank Clamping Screw..... |
| 20333 | | Feed Rock Shaft complete, Nos. 12379 and 29633..... |

| No. | Plate | Name |
|----------|-------|---|
| 307C | 22121 | Feed Rock Shaft Screw Center (2)..... |
| 56814 | | Feed Rock Shaft Screw Center 307C with 1513J (2)..... |
| 1513J | 22121 | Feed Rock Shaft Screw Center Nut (2)..... |
| 25866 | 22122 | Guide..... |
| 284D | 22122 | Guide Screw..... |
| 12391 | 22123 | Lifting Presser Bar (hollow)..... |
| 19356 | 22123 | Lifting Presser Bar Bell Crank..... |
| 19357 | 22123 | Lifting Presser Bar Bell Crank Connecting Link..... |
| 199J | 22123 | Lifting Presser Bar Bell Crank Connecting Link Cap Screw (2)..... |
| 19358 | 22123 | Lifting Presser Bar Bell Crank Driving Arm..... |
| 19362 | 22120 | Lifting Presser Bar Bell Crank Driving Arm Eccentric Connection..... |
| 62637 | | Lifting Presser Bar Bell Crank Driving Arm Eccentric Connection 19362 with 19365..... |
| 375C | 22120 | Lifting Presser Bar Bell Crank Driving Arm Eccentric Connection Hinge Screw..... |
| 1518J | 22120 | Lifting Presser Bar Bell Crank Driving Arm Eccentric Connection Hinge Screw Nut..... |
| 2049 | 22123 | Lifting Presser Bar Bell Crank Driving Arm Pin..... |
| 19359 | 22123 | Lifting Presser Bar Bell Crank Driving Arm Shaft..... |
| 19360 | 22123 | Lifting Presser Bar Bell Crank Driving Arm Shaft Bracket..... |
| 19361 | | Lifting Presser Bar Bell Crank Driving Arm Shaft Bracket complete, Nos. 2049, 19358, 19359 and 19360..... |
| 965D | 22123 | Lifting Presser Bar Bell Crank Driving Arm Shaft Bracket Screw..... |
| 24589 | 22123 | Lifting Presser Bar Guide Bracket with 453AL..... |
| 199J | 22123 | Lifting Presser Bar Guide Bracket Cap Screw..... |
| 44268 | | Lifting Presser Bar Guide Bracket complete, Nos. 19356, 19357, 24589, 44270 and three 199J..... |
| 453AL | 22123 | Lifting Presser Bar Guide Bracket Set Screw..... |
| 24590 | 22123 | Lifting Presser Bar Guide Bracket Support..... |
| 175D | 22123 | Lifting Presser Bar Guide Bracket Support Screw (2)..... |
| 4855 | 22123 | Lifting Presser Bar Lifter..... |
| 689C | 22123 | Lifting Presser Bar Lifter Screw..... |
| 1520J | 22123 | Lifting Presser Bar Lifter Screw Nut..... |
| 12327 | 22123 | Lifting Presser Bar Lifting and Releasing Lever Bracket..... |
| 11167 | 22123 | Lifting Presser Bar Spring (light) .051 wire..... |
| | | NOTE: No. 11167 is sent with this machine unless another Spring is specified on order. |
| 12139 | | Lifting Presser Bar Spring (medium) .055 wire..... |
| 20023 | | Lifting Presser Bar Spring (heavy) .063 wire..... |
| 11170 | 22123 | Lifting Presser Bar Spring Washer..... |
| 44269 | 22122 | Lifting Presser Foot..... |
| 193D | 22122 | Lifting Presser Foot Screw..... |
| 139631 | 22120 | Machine Pulley (power) light rim, "V" belt groove (outside diam. of belt groove 2.9 in.) with two 140713AL..... |
| 56898 | | NOTE: 139631 is regularly furnished with machine. |
| | | Machine Pulley (stand) heavy rim, "V" belt groove (outside diam. of belt groove 2.9 in.) with two 435AL..... |
| 2135 | | Machine Pulley (stand) heavy rim, 2-1/2 in. pulley, for use with 3022..... |
| 2862 | | Machine Pulley (stand) heavy rim, 3 in. pulley, for use with 3022..... |
| 435AL | | Machine Pulley Set Screw for 56898 (2)..... |
| 140713AL | 22120 | Machine Pulley Set Screw for 139631 (2)..... |
| 19229 | 22124 | Needle Bar (hollow)..... |
| 12382 | 22124 | Needle Bar Connecting Link with 794E..... |
| 43997 | | Needle Bar Connecting Link 12382 with 12384..... |
| 794E | 22124 | Needle Bar Connecting Link Adjusting Screw..... |
| 1904 | 22124 | Needle Bar Connecting Stud Roller (roller only)..... |
| 453AL | 22124 | Needle Bar Connecting Stud Set Screw..... |
| 12384 | 22124 | Needle Bar Connecting Stud complete, Nos. 453AL and 1904..... |

| No. | Plate | Name |
|---------|-------|---|
| 19365 | 22120 | Needle Bar Crank and Lifting Eccentric with 448AL and 743AL..... |
| 743AL | 22120 | Needle Bar Crank and Lifting Eccentric Position Screw..... |
| 448AL | 22120 | Needle Bar Crank and Lifting Eccentric Set Screw..... |
| 936E | 22124 | Needle Bar Screw Bushing (2)..... |
| 4803 | 22124 | Needle Clamp complete, Nos. 651D, 4802, 13112 and 51323AL..... |
| 13112 | 22124 | Needle Clamp Body..... |
| 51323AL | 22124 | Needle Clamp Screw..... |
| 4802 | 22124 | Needle Clamp Thread Guide..... |
| 651D | 22124 | Needle Clamp Thread Guide Screw..... |
| 24104 | 22120 | Oscillating Rock Shaft..... |
| 24105 | 22120 | Oscillating Rock Shaft complete, Nos. 4784, 12388 and 24104..... |
| 12388 | 22120 | Oscillating Rock Shaft Hinge Pin..... |
| 448AL | 22120 | Oscillating Rock Shaft Hinge Pin Set Screw..... |
| 4784 | | Oscillating Rock Shaft Oil Pad..... |
| 12389 | 22121 | Oscillating Shaft..... |
| 44134 | 22121 | Oscillating Shaft Crank..... |
| 453AL | 22121 | Oscillating Shaft Crank Set Screw (2)..... |
| 19448 | 22121 | Oscillating Shaft Crank Slide Block..... |
| 226J | 22121 | Oscillating Shaft Crank Slide Block Cap Screw..... |
| 12424 | 22121 | Oscillating Shaft Crank Slide Block Cap Screw Washer..... |
| 988C | 22121 | Oscillating Shaft Crank Slide Block Screw Stud..... |
| 1518E | 22121 | Oscillating Shaft Crank Slide Block Screw Stud Nut..... |
| 19449 | | Oscillating Shaft Crank Slide Block complete, Nos. 226J, 988C, 12424 and 19448..... |
| 44135 | | Oscillating Shaft Crank complete, Nos. 1518E, 19449, 44134 and two 453AL..... |
| 688J | 22123 | Pressure Regulating Thumb Screw..... |
| 2996 | 22125 | Shuttle Bobbin (6)..... |
| 15140 | 22125 | Shuttle Bobbin Case Latch..... |
| 2973 | 22125 | Shuttle Bobbin Case Latch Lever..... |
| 2974 | 22125 | Shuttle Bobbin Case Latch Lever Fulcrum Pin..... |
| 2975 | 22125 | Shuttle Bobbin Case Latch Spring..... |
| 592E | 22125 | Shuttle Bobbin Case Latch Stop Screw..... |
| 15141 | | Shuttle Bobbin Case Hinge, Nos. 2973, 2974 and 15140..... |
| 24412 | 22125 | Shuttle Bobbin Case Position Plate..... |
| 391J | 22125 | Shuttle Bobbin Case Position Plate Screw (2)..... |
| 62740 | 22125 | Shuttle Bobbin Case Nos. 592E, 2975 and 15141..... |
| 12393 | 22125 | Shuttle Body..... |
| 591F | 22125 | Shuttle Tension Regulating Screw..... |
| 15278 | 22125 | Shuttle Tension Spring..... |
| 19292 | 22125 | Shuttle 1 11/16 in. diam., Nos. 2996, 12393 and 62740..... |
| 12394 | | Shuttle Driver..... |
| 12444 | 22121 | Shuttle Driver 12394 with two 1266AL..... |
| 1266AL | 22121 | Shuttle Driver Set Screw (2)..... |
| 2531 | 22125 | Shuttle Race Back..... |
| 2532 | 22125 | Shuttle Race Back Position Pin (2)..... |
| 2533 | 22125 | Shuttle Race Back Spring..... |
| 907D | 22125 | Shuttle Race Back Spring Screw..... |
| 24413 | 22125 | Shuttle Race Body..... |
| 62502 | | Shuttle Race Body 24413 with 24418 and two 1053E..... |
| 62517 | | Shuttle Race Body 62502 with two 2532..... |
| 24418 | 22125 | Shuttle Race Cap..... |
| 1053E | 22125 | Shuttle Race Cap Screw (2)..... |
| 24419 | 22125 | Shuttle Race complete, Nos. 907D, 2531, 2533, 24412, 62517 and two 391J..... |
| 145E | 22125 | Shuttle Race Screw (2)..... |
| 12431 | 22119 | Shuttle Race Slide..... |
| 4307 | 22119 | Shuttle Race Slide Spring..... |
| 725J | 22119 | Shuttle Race Slide Spring Screw (2)..... |
| 12432 | 22119 | Shuttle Race Slide complete, Nos. 4307, 12431 and two 725J..... |

| No. | Plate | Name |
|--------|-------|--|
| 2102 | 22126 | Tension Disc (2)..... |
| 1560C | 22126 | Tension Regulating Thumb Nut..... |
| 32572 | 22126 | Tension Releasing Disc..... |
| 43944 | 22126 | Tension Releasing Lever..... |
| 12398 | 22126 | Tension Releasing Lever Hinge Pin..... |
| 12329 | 22126 | Tension Releasing Lever Spring..... |
| 32574 | 22126 | Tension Releasing Pin..... |
| 50327C | 22126 | Tension Screw Stud..... |
| 44141 | | Tension Screw Stud 50327C with 1560C..... |
| 43945 | 22126 | Tension Spring..... |
| 12149 | 22126 | Tension Thread Guard..... |
| 44118 | 22126 | Tension complete, Nos. 7336, 32572, 32574, 43945, 43946, 44141 and two 2102..... |
| 52454 | 22126 | Thread Retainer..... |
| 624AL | 22126 | Thread Retainer Set Screw..... |
| 12404 | 22124 | Thread Take-up Crank..... |
| 3094 | 22120 | Thread Take-up Crank Wedge..... |
| 690E | 22120 | Thread Take-up Crank Wedge Screw..... |
| 12408 | 22124 | Thread Take-up Lever..... |
| 775E | 22124 | Thread Take-up Lever Cap Screw..... |
| 12166 | 22124 | Thread Take-up Lever Hinge Pin..... |
| 12409 | 22124 | Thread Take-up Lever Link..... |
| 11204 | 22124 | Thread Take-up Lever Link Hinge Pin..... |
| 435AL | 22124 | Thread Take-up Lever Link Hinge Pin Set Screw..... |
| 12410 | | Thread Take-up Lever complete, Nos. 12166, 12408 and 12409..... |
| 43946 | 22126 | Thread Take-up Spring..... |
| 7336 | 22126 | Thread Take-up Spring Regulator..... |
| 448AL | 22126 | Thread Take-up Spring Regulator Set Screw..... |
| 43990 | | Thread Take-up complete, Nos. 775E, 11204, 12404, 12410 and 43997..... |
| 12482 | 22122 | Throat Plate, large needle hole, for 12481..... |
| 12483 | 22122 | Throat Plate, small needle hole, for 12481..... |
| 691AL | 22122 | Throat Plate, Screw (2)..... |
| 44270 | 22123 | Vibrating Presser Bar..... |
| 19367 | 22123 | Vibrating Presser Bar Cap..... |
| 219J | 22123 | Vibrating Presser Bar Cap Screw for 19367..... |
| 199J | 22123 | Vibrating Presser Bar Cap Screw for 44270..... |
| 19368 | 22123 | Vibrating Presser Bar Cushion (rawhide)..... |
| 19369 | 22123 | Vibrating Presser Bar Spring..... |
| 335J | 22123 | Vibrating Presser Bar Spring Screw..... |
| 19370 | 22122 | Vibrating Presser Foot..... |
| 217J | 22122 | Vibrating Presser Foot Screw..... |
| 139637 | | Drip Pan with four 1 in. wire nails, for power table..... |

ATTACHMENTS AND ACCESSORIES

| No. | Plate | Name |
|--------|-------|--|
| 12361 | 22127 | Machine Hinge Connection (2) |
| 41400 | 22127 | Machine Rest Pin (wood) 3-1/8 in. long |
| 120342 | 22127 | Oiler (copper plated) with 120343 |
| 120343 | 22127 | Oiler Spout, 3-1/2 in. long |
| 26026 | 22127 | Screw Driver (machine) |
| 26485 | 22127 | Screw Driver (shuttle tension) |

BELT GUARDS

BELT GUARD

| | | |
|-------|-------|---|
| 41929 | 22343 | Belt Guard |
| 8418 | 22343 | Belt Guard Button |
| 8419 | 22343 | Belt Guard Button Washer (leather) |
| 8420 | | Belt Guard Button 8418 with 8419 and wood screw 1-1/4 in. No. 9 R.H.B. |
| 41930 | 22343 | Belt Guard Hinge (2) |
| 41931 | 22343 | Belt Guard complete, Nos. 8420, 41929, two 41930 and four wood screws 3/4 in. No. 9 |

BELT GUARD

FOR BENCH STANDS

| | | |
|--------|-------|---|
| 126356 | 22332 | Belt Guard |
| 126363 | 22332 | Belt Guard Bracket |
| 126364 | 22332 | Belt Guard Extension |
| 162D | 22332 | Belt Guard Extension Screw |
| 9331 | 22332 | Belt Guard Extension Screw Washer |
| 1480D | 22332 | Belt Guard Retaining Screw |
| 50551J | 22332 | Belt Guard Set Screw |
| 126365 | 22332 | Belt Guard (adjustable) complete, Nos. 162D, 1480D, 9331, 50551J, 126356, 126363, 126364 and two wood screws 1 in. No. 10 |

BOBBIN WINDERS

BOBBIN WINDER

(SWINGING AUTOMATIC, RIGHT HAND)

| | | |
|--------|-------|-------------------------------------|
| 27540 | 24053 | Base |
| 15072 | 24053 | Bobbin Position Pin |
| 27302 | 24053 | Frame |
| 50356D | 24053 | Frame Hinge Screw |
| 1620J | 24053 | Frame Hinge Screw Nut |
| 27303 | | Frame Spring |
| 27541 | 24053 | Pulley |
| 27538 | 24053 | Spindle Collar with 15072 and 41828 |
| 41828 | 24053 | Spindle Collar Pin |
| 27306 | 24053 | Spool Pin |
| 11241 | 24053 | Spool Pin Washer (cloth) |

| No. | Plate |
|-------|-------|
| 27307 | 24053 |
| 27308 | 24053 |
| 27312 | 24053 |
| 35D | 24053 |
| 2455 | 24053 |
| 1562J | 24053 |
| 418E | 24053 |
| 10141 | 24053 |
| 2106 | 24053 |
| 27647 | 24053 |

| | |
|-------|-------|
| 27544 | 24053 |
|-------|-------|

| | |
|---------|-------|
| 259428 | 23253 |
| 259429 | 23253 |
| 200113F | 23253 |
| 259662 | 23253 |
| 225453 | 23253 |
| 225454 | 23253 |
| 202277 | 23253 |
| 259660 | 23253 |
| 225455 | 23253 |
| 225456 | 23253 |
| 259461 | 23253 |
| 200380C | 23253 |
| 225381 | 23253 |
| 225444 | 23253 |
| 200056E | 23253 |
| 225458 | 23253 |
| 225459 | 23253 |
| 225459 | 23253 |
| 202478 | 23253 |
| 200299B | 23253 |
| 225461 | 23253 |
| 200082D | 23253 |
| 228026 | 23253 |
| 2102 | 23253 |
| 13710 | 23253 |
| 201499B | 23253 |
| 201572B | 23253 |
| 225462 | 23253 |

| | |
|--------|-------|
| 259462 | 23253 |
|--------|-------|

BOBBIN WINDERS

| No. | Plate | Name |
|-----|-------|---|
| | | Spool Stand |
| | | Spool Stand complete, Nos. 418E, 1562J, 2106, 10141, 11241, 27306, 27307 and two each 2455 and wood screws 1 in. No. 10 |
| | | Stop Latch |
| | | Stop Latch Hinge Screw |
| | | Tension Disc (2) |
| | | Tension Regulating Thumb Nut |
| | | Tension Screw Stud |
| | | Tension Spring |
| | | Tension Thread Guide |
| | | Bobbin Winder, Nos. 35D, 1620J, 27302, 27303, 27312, 27538, 27540, 27541, 50356D and two wood screws 1 in. No. 7 |
| | | Bobbin Winder (swinging automatic, right hand) complete, Nos. 27308 and 27647 |

BOBBIN WINDER

(SWINGING AUTOMATIC RIGHT HAND)

FOR POWER TABLE

FOR "V" BELT DRIVE

| | | |
|--|--|---|
| | | Brake (leather) |
| | | Brake Clamp |
| | | Brake Clamp Screw |
| | | Bobbin Winder and Tension Bracket Base |
| | | Frame with 202277 and 259660 |
| | | Frame Hinge Pin |
| | | Frame Oil Packing (wick) |
| | | Frame Oil Well Washer |
| | | Frame Spring |
| | | Frame Spring Plunger |
| | | Pulley with 200380C |
| | | Pulley Set Screw |
| | | Spindle |
| | | Stop Latch |
| | | Stop Latch Screw |
| | | Stop Latch Thumb Lever |
| | | Stop Latch Thumb Lever Hinge Stud |
| | | Stop Latch Thumb Lever Joint Stud |
| | | Stop Latch Trip Lever |
| | | Stop Latch Trip Lever Hinge Screw |
| | | Tension Bracket with 201499B |
| | | Tension Bracket Screw |
| | | Tension Bracket Screw Washer |
| | | Tension Disc (2) |
| | | Tension Spring |
| | | Tension Stud |
| | | Tension Stud Thumb Nut |
| | | Tension Bracket complete, Nos. 13710, 201572B, 225461 and two 2102 |
| | | Bobbin Winder complete, for "V" belt, Nos. 200056E, 200082D, 200113F, 200299B, 202478, 225381, 225444, 225453, 225454, 225455, 225456, 225458, 225462, 228026, 259428, 259429, 259461, 259662 and two each 225459 and wood screws 3/4 in. No. 12 R.H. |

BOBBIN WINDER
(FOR ROUND BELT)

| No. | Plate | Name |
|---------|-------|---|
| 259428 | 23253 | Brake (leather)..... |
| 259429 | 23253 | Brake Clamp..... |
| 200113F | 23253 | Brake Clamp Screw..... |
| 259430 | 23253 | Bobbin Winder and Tension Bracket Base..... |
| 225453 | 23253 | Frame with 202277 and 259660..... |
| 225454 | 23253 | Frame Hinge Pin..... |
| 202277 | 23253 | Frame Oil Packing (wick)..... |
| 259660 | 23253 | Frame Oil Well Washer..... |
| 225455 | 23253 | Frame Spring..... |
| 225456 | 23253 | Frame Spring Plunger..... |
| 225368 | 23253 | Pulley with 200380C..... |
| 200380C | 23253 | Pulley Set Screw..... |
| 225381 | 23253 | Spindle..... |
| 225444 | 23253 | Stop Latch..... |
| 200056E | 23253 | Stop Latch Screw..... |
| 225458 | 23253 | Stop Latch Thumb Lever..... |
| 225459 | 23253 | Stop Latch Thumb Lever Hinge Stud..... |
| 225459 | 23253 | Stop Latch Thumb Lever Joint Stud..... |
| 202478 | 23253 | Stop Latch Trip Lever..... |
| 200299B | 23253 | Stop Latch Trip Lever Hinge Screw..... |
| 225461 | 23253 | Tension Bracket with 201499B..... |
| 200082D | 23253 | Tension Bracket Screw..... |
| 228026 | 23253 | Tension Bracket Screw Washer..... |
| 2102 | 23253 | Tension Disc (2)..... |
| 13710 | 23253 | Tension Spring..... |
| 201499B | 23253 | Tension Stud..... |
| 201572B | 23253 | Tension Stud Thumb Nut..... |
| 225462 | 23253 | Bobbin Winder Tension Bracket complete, Nos. 13710, 201572B, 225461 and two 2102..... |
| 259431 | 23253 | Bobbin Winder complete, Nos. 200056E, 200082D, 200113F, 200299B, 202478, 225368, 225381, 225444, 225453, 225454, 225455, 225456, 225458, 225462, 228026, 259428, 259429, 259430 and two each 225459 and wood screws 3/4 in. No. 12 R.H.B..... |

FINGER GUARDS

| | | |
|--------|-------|--|
| 36818 | 22129 | Finger Guard..... |
| 36819 | 22129 | Finger Guard Friction Washer..... |
| 50316J | 22129 | Finger Guard Hinge Screw..... |
| 36820 | 22129 | Finger Guard Holder with 196J..... |
| 196J | 22129 | Finger Guard Holder Clamping Screw..... |
| 36821 | 22129 | Finger Guard (metal) complete, Nos. 36818, 36819, 36820 and 50316J..... |
| 120496 | | Finger Guard..... |
| 120497 | | Finger Guard Holder with 50302J..... |
| 50302J | | Finger Guard Holder Set Screw..... |
| 236J | | Finger Guard Screw..... |
| 120498 | | Finger Guard (metal) complete, Nos. 236J, 120496 and 120497..... |
| 120857 | 22129 | Finger Guard..... |
| 120858 | 22129 | Finger Guard Holder with 50302J..... |
| 50302J | 22129 | Finger Guard Holder Set Screw..... |
| 236J | 22129 | Finger Guard Screw (2)..... |
| 120860 | 22129 | Finger Guard (wire) complete, Nos. 120857, 120858 and two 236J..... |

FOOT LIFTER PARTS

| No. | Plate | Name |
|---------|-------|--|
| 5596 | 22121 | Bell Crank..... |
| 56848 | | Bell Crank 5596 with 5599 and 5601..... |
| 5599 | 22121 | Bell Crank Bracket..... |
| 178E | 22121 | Bell Crank Bracket Screw (2)..... |
| 5601 | 22121 | Bell Crank Hinge Pin..... |
| 5735 | 22121 | Bell Crank Spring..... |
| 5598 | | Bell Crank complete, Nos. 5735 and 56848..... |
| 5670 | 22909 | Chain, length 26 in. to 35 in., with 56864 and 56865..... |
| 4879 | 22909 | Chain Connecting Link..... |
| 56864 | 22909 | Chain Hook (large)..... |
| 56865 | 22909 | Chain Hook (small)..... |
| 20340 | 22121 | Lifting Lever with 448AL..... |
| 12415 | 22121 | Lifting Lever Connecting Rod..... |
| 12416 | 22121 | Lifting Lever Connecting Rod Joint..... |
| 76D | 22121 | Lifting Lever Connecting Rod Joint Hinge Screw..... |
| 1521J | 22121 | Lifting Lever Connecting Rod Lock Nut..... |
| 802D | 22121 | Lifting Lever Hinge Screw..... |
| 12241 | 22123 | Lifting Lever Link..... |
| 766E | 22123 | Lifting Lever Link Hinge Screw..... |
| 12240 | 22121 | Lifting Lever Pin..... |
| 448AL | 22121 | Lifting Lever Pin Set Screw..... |
| 2763 | 22909 | Rock Shaft..... |
| 12242 | 22909 | Rock Shaft Hanger with two wood screws 1 in. No. 10 F.H. (2)..... |
| 6337 | 22909 | Rock Shaft Lifting Bracket with two 356C (2)..... |
| 12243 | 22909 | Rock Shaft Lifting Bracket Hook for 5598..... |
| 7125 | 22909 | Rock Shaft Lifting Bracket Hook for 5670..... |
| 356C | 22909 | Rock Shaft Lifting Bracket Hook Set Screw (2)..... |
| 356C | 22909 | Rock Shaft Lifting Bracket Set Screw (2)..... |
| 2770 | 22909 | Rock Shaft Stop Dog with 140219C..... |
| 140219C | 22909 | Rock Shaft Stop Dog Set Screw..... |
| 4880 | 22909 | Rock Shaft complete, Nos. 2763, 2770, 7125, 12243 and two each 6337 and 12242..... |
| 4881 | 22909 | Treadle..... |
| 4882 | 22909 | Treadle Shaft..... |
| 4883 | 22909 | Treadle Spring..... |
| 4884 | 22909 | Treadle Stand..... |
| 4885 | 22909 | Treadle complete, Nos. 4879, 4881, 4882, 4883, 4884 and two wood screws 1 in. No. 16..... |

KNEE LIFTER PARTS

| | | |
|-------|-------|---|
| 5596 | 22121 | Bell Crank..... |
| 56848 | | Bell Crank 5596 with 5599 and 5601..... |
| 5599 | 22121 | Bell Crank Bracket..... |
| 178E | 22121 | Bell Crank Bracket Screw (2)..... |
| 5601 | 22121 | Bell Crank Hinge Pin..... |
| 5735 | 22121 | Bell Crank Spring..... |
| 5598 | | Bell Crank complete, Nos. 5735 and 56848..... |
| 20340 | 22121 | Lifting Lever with 448AL..... |
| 12415 | 22121 | Lifting Lever Connecting Rod..... |
| 12416 | 22121 | Lifting Lever Connecting Rod Joint..... |
| 76D | 22121 | Lifting Lever Connecting Rod Joint Hinge Screw..... |
| 1521J | 22121 | Lifting Lever Connecting Rod Lock Nut..... |
| 802D | 22121 | Lifting Lever Hinge Screw..... |
| 12241 | 22123 | Lifting Lever Link..... |
| 766E | 22123 | Lifting Lever Link Hinge Screw..... |
| 12240 | 22121 | Lifting Lever Pin..... |
| 448AL | 22121 | Lifting Lever Pin Set Screw..... |

KNEE LIFTER PARTS

| No. | Plate | Name |
|---------|-------|---|
| 2763 | 22128 | Rock Shaft..... |
| 139633 | | Rock Shaft 2763 with 2770, 6337 and 139623..... |
| 7539 | 22128 | Rock Shaft Hanger with two wood screws 1 in. No. 10 F.H. (2)..... |
| 2765 | 22128 | Rock Shaft Knee Arm with 1509E..... |
| 2766 | 22128 | Rock Shaft Knee Arm Hub with 356C..... |
| 356C | 22128 | Rock Shaft Knee Arm Hub Set Screw..... |
| 1509E | 22128 | Rock Shaft Knee Arm Lock Nut..... |
| 2768 | | Rock Shaft Knee Arm complete, Nos. 2765, 2766 and 2767..... |
| 2767 | 22128 | Rock Shaft Knee Plate with 356C..... |
| 356C | 22128 | Rock Shaft Knee Plate Set Screw..... |
| 6337 | 22128 | Rock Shaft Lifting Bracket with two 356C..... |
| 139623 | 22128 | Rock Shaft Lifting Bracket Hook..... |
| 356C | 22128 | Rock Shaft Lifting Bracket Hook Set Screw..... |
| 356C | 22128 | Rock Shaft Lifting Bracket Set Screw..... |
| 2770 | 22128 | Rock Shaft Stop Dog with 140219C..... |
| 140219C | | Rock Shaft Stop Dog Set Screw..... |
| 139625 | 22128 | Rock Shaft complete, Nos. 2768, 139633 and two 7539..... |

MACHINE BASE

| | | |
|-------|-------|--|
| 19219 | 22909 | Bed Frame Cushion (leather) (4)..... |
| 158C | 22909 | Bed Frame Cushion Screw (8)..... |
| 19220 | 22909 | Bed Frame Cushion Spring (4)..... |
| 19226 | 22909 | Bed Frame Hinge Connection (2)..... |
| 19398 | | Bed Frame Hinge Connection 19226 with 211E and 19397 (2)..... |
| 19397 | 22909 | Bed Frame Hinge Connection Cap (2)..... |
| 211E | 22909 | Bed Frame Hinge Connection Cap Screw (2)..... |
| 16555 | 22909 | Bed Frame Hinge Plate (2)..... |
| 14010 | 22909 | Bed Frame Hinge Plate Rivet (6)..... |
| 20067 | 22909 | Bed Frame with two each 16555, 19398, four each 19219, 19220, six each 14010, wood screws 1 1/4 in. No. 12 and eight 158C..... |

THREAD UNWINDER

(FOR TWO SPOOLS OR TWO LARGE CONES OF THREAD)

| | | |
|---------|-------|---|
| 228692 | 23289 | Spool Pin (2)..... |
| 201528X | 23289 | Spool Pin Nut (2)..... |
| 228693 | 23289 | Spool Pin Washer (2)..... |
| 225257 | 23289 | Spool Rest with 201018C and two each 201528X, 228692 and 228693..... |
| 150203 | 23289 | Spool Rest Cushion (felt) (2)..... |
| 225388 | 23289 | Spool Rest Rod..... |
| 200383C | 23289 | Spool Rest Rod Set Screw..... |
| 201018C | 23289 | Spool Rest Set Screw..... |
| 259658 | 23289 | Spool Stand with 200383C..... |
| 225391 | 23289 | Thread Guide (2)..... |
| 201696J | 23289 | Thread Guide Lock Nut..... |
| 225326 | 23289 | Thread Guide Position Cup..... |
| 225324 | 23289 | Thread Guide Rod with 208AL and 225322..... |
| 208AL | 23289 | Thread Guide Rod Screw..... |
| 225322 | 23289 | Thread Guide Rod Washer..... |
| 225258 | 23289 | Thread Unwinder complete, Nos. 201696J, 225257, 225324, 225326, 225388, 259658, two each 150203, 225391 and three wood screws 7/8 in. No. 12 F.H..... |
| 27739 | 23289 | Thread Cone (wood) for large cones..... |
| 225390 | 23289 | Thread Cone Holder, for inverted cones..... |

NOTE: Nos. 27739 and 225390 are used with, but not included in 225258.

NUMERICAL LIST OF PARTS

| No. | Plate | Name |
|-------|-------|--|
| 35D | 24053 | Bobbin Winder Stop Latch Hinge Screw for 27647..... |
| 76D | 22121 | Foot Lifter Lifting Lever Connecting Rod Joint Hinge Screw..... |
| 76D | 22121 | Knee Lifter Lifting Lever Connecting Rod Joint Hinge Screw..... |
| 144D | 22120 | Arm Shaft Screw..... |
| 145E | 22125 | Shuttle Race Screw..... |
| 157J | 22121 | Feed Lifting Rock Shaft Crank Clamping Screw for 12376..... |
| 157R | 22121 | Feed Rock Shaft Crank Clamping Screw for 29633..... |
| 158C | 22909 | Machine Base Bed Frame Cushion Screw for 20067..... |
| 162D | 22332 | Belt Guard Extension Screw for 126365..... |
| 175D | 22123 | Lifting Presser Bar Guide Bracket Support Screw..... |
| 178E | 22121 | Foot Lifter Bell Crank Bracket Screw..... |
| 178E | 22121 | Knee Lifter Bell Crank Bracket Screw..... |
| 193D | 22122 | Lifting Presser Foot Screw..... |
| 196J | 22129 | Finger Guard Holder Clamping Screw for 36820..... |
| 199J | 22123 | Lifting Presser Bar Bell Crank Connecting Link Cap Screw for 44268..... |
| 199J | 22123 | Lifting Presser Bar Guide Bracket Cap Screw for 44268..... |
| 199J | 22123 | Vibrating Presser Bar Cap Screw for 44270..... |
| 208AL | 22122 | Feed Dog Screw..... |
| 208AL | 23289 | Thread Unwinder Thread Guide Rod Screw for 225324..... |
| 211E | 22909 | Machine Base Bed Frame Hinge Connection Cap Screw for 19398..... |
| 217J | 22122 | Vibrating Presser Foot Screw..... |
| 219J | 22119 | Face Plate Screw..... |
| 219J | 22123 | Vibrating Presser Bar Cap Screw for 19367..... |
| 226J | 22121 | Oscillating Shaft Crank Slide Block Cap Screw for 19449..... |
| 236J | 22129 | Finger Guard Screw for 120498 and 120860..... |
| 248A | 22120 | Clamp Stop Motion Clamp Stop Screw for 3022..... |
| 256J | 22120 | Clamp Stop Motion Clamp Screw for 3022..... |
| 284D | 22122 | Guide Screw..... |
| 307C | 22121 | Feed Lifting Rock Shaft Screw Center for 56814..... |
| 307C | 22121 | Feed Rock Shaft Screw Center for 56814..... |
| 313C | 22121 | Feed Bar Screw Center for 56813..... |
| 335J | 22123 | Vibrating Presser Bar Spring Screw..... |
| 356C | 22128 | Knee Lifter Rock Shaft Knee Arm Hub Set Screw for 2766..... |
| 356C | 22128 | Knee Lifter Rock Shaft Knee Plate Set Screw for 2767..... |
| 356C | 22909 | Foot Lifter Rock Shaft Lifting Bracket Hook Set Screw for 6337..... |
| 356C | 22128 | Knee Lifter Rock Shaft Lifting Bracket Hook Set Screw for 6337..... |
| 356C | 22909 | Foot Lifter Rock Shaft Lifting Bracket Set Screw for 6337..... |
| 356C | 22128 | Knee Lifter Rock Shaft Lifting Bracket Set Screw for 6337..... |
| 375C | 22120 | Feed Connecting Link Hinge Screw for 43993..... |
| 375C | 22120 | Feed Forked Connection Hinge Screw..... |
| 375C | 22120 | Feed Lifting Rock Shaft Crank Connecting Rod Hinge Screw..... |
| 375C | 22120 | Lifting Presser Bar Bell Crank Driving Arm Eccentric Connection Hinge Screw..... |
| 391J | 22125 | Shuttle Bobbin Case Position Plate Screw for 24419..... |
| 418E | 24053 | Bobbin Winder Tension Screw Stud for 27308..... |
| 435AL | | Machine Pulley Set Screw for 56898..... |
| 435AL | 22124 | Thread Take-up Lever Link Hinge Pin Set Screw..... |
| 446AL | 22120 | Feed and Feed Lifting Eccentric Set Screw for 20283..... |
| 448AL | 22120 | Arm Shaft Flanged Bushing (back) Set Screw..... |
| 448AL | 22121 | Foot Lifter Lifting Lever Pin Set Screw for 20340..... |
| 448AL | 22121 | Knee Lifter Lifting Lever Pin Set Screw for 20340..... |
| 448AL | 22120 | Needle Bar Crank and Lifting Eccentric Set Screw for 19365..... |
| 448AL | 22120 | Oscillating Rock Shaft Hinge Pin Set Screw..... |

NUMERICAL LIST OF PARTS

| No. | Plate | Name |
|--------|-------|--|
| 448AL | 22126 | Thread Take-up Spring Regulator Set Screw..... |
| 453AL | 22123 | Lifting Presser Bar Guide Bracket Set Screw for 24589..... |
| 453AL | 22124 | Needle Bar Connecting Stud Set Screw for 12384..... |
| 453AL | 22121 | Oscillating Shaft Crank Set Screw for 44135..... |
| 462AL | 22120 | Clamp Stop Motion Flanged Bushing Set Screw for 4933..... |
| 591F | 22125 | Shuttle Tension Regulating Screw..... |
| 592E | 22125 | Shuttle Bobbin Case Latch Stop Screw for 62740..... |
| 624AL | 22126 | Thread Retainer Set Screw..... |
| 651D | 22124 | Needle Clamp Thread Guide Screw for 4803..... |
| 688J | 22123 | Pressure Regulating Thumb Screw..... |
| 689C | 22123 | Lifting Presser Bar Lifter Screw..... |
| 690E | 22120 | Thread Take-up Crank Wedge Screw..... |
| 691AL | 22122 | Throat Plate Screw..... |
| 725J | 22119 | Shuttle Race Slide Spring Screw for 12432..... |
| 743AL | 22120 | Needle Bar Crank and Lifting Eccentric Position Screw for 19365..... |
| 748E | 22119 | Arm Screw (back)..... |
| 766E | 22123 | Foot Lifter Lifting Lever Link Hinge Screw..... |
| 766E | 22123 | Knee Lifter Lifting Lever Link Hinge Screw..... |
| 775E | 22124 | Thread Take-up Lever Cap Screw for 43990..... |
| 794E | 22124 | Needle Bar Connecting Link Adjusting Screw for 12382..... |
| 802D | 22121 | Foot Lifter Lifting Lever Hinge Screw..... |
| 802D | 22121 | Knee Lifter Lifting Lever Hinge Screw..... |
| 818W | 22120 | Feed Regulator Thumb Screw for 56886..... |
| 854E | 22119 | Arm Screw (front)..... |
| 896AL | 22120 | Crank Connecting Rod Cap Screw for 20197..... |
| 907D | 22125 | Shuttle Race Back Spring Screw for 24419..... |
| 908C | 22120 | Crank Connecting Rod Hinge Screw..... |
| 936E | 22124 | Needle Bar Screw Bushing..... |
| 965D | 22123 | Lifting Presser Bar Bell Crank Driving Arm Shaft Bracket Screw..... |
| 966E | 22120 | Feed Lifting Rock Shaft Crank Connecting Rod Cap Screw for 43976..... |
| 988C | 22121 | Oscillating Shaft Crank Slide Block Screw Stud for 19449..... |
| 1053E | 22125 | Shuttle Race Cap Screw for 62502..... |
| 1266AL | 22121 | Shuttle Driver Set Screw for 12444..... |
| 1480D | 22332 | Belt Guard Retaining Screw..... |
| 1509E | 22128 | Knee Lifter Rock Shaft Knee Arm Lock Nut for 2765..... |
| 1513J | 22121 | Feed Lifting Rock Shaft Screw Center Nut for 56814..... |
| 1513J | 22121 | Feed Rock Shaft Screw Center Nut for 56814..... |
| 1518J | 22120 | Feed Connecting Link Hinge Screw Nut for 43993..... |
| 1518J | 22120 | Feed Forked Connection Hinge Screw Nut..... |
| 1518J | 22120 | Feed Lifting Rock Shaft Crank Connecting Rod Hinge Screw Nut..... |
| 1518J | 22120 | Lifting Presser Bar Bell Crank Driving Arm Eccentric Connection Hinge Screw Nut..... |
| 1518E | 22121 | Oscillating Shaft Crank Slide Block Screw Stud Nut for 44135..... |
| 1519J | 22121 | Feed Bar Screw Center Nut for 56813..... |
| 1520J | 22123 | Lifting Presser Bar Lifter Screw Nut..... |
| 1521J | 22121 | Foot Lifter Lifting Lever Connecting Rod Lock Nut..... |
| 1521J | 22121 | Knee Lifter Lifting Lever Connecting Rod Lock Nut..... |
| 1560C | 22126 | Tension Regulating Thumb Nut for 44141..... |
| 1562J | 22333 | Bobbin Winder Tension Regulating Thumb Nut for 27308..... |
| 1619E | 22120 | Crank Connecting Rod Hinge Screw Nut..... |
| 1620J | 24053 | Bobbin Winder Frame Hinge Screw Nut for 27647..... |
| 1813 | 22121 | Feed Lifting Rock Shaft Crank Roller and Stud for 12376..... |
| 1904 | 22124 | Needle Bar Connecting Stud Roller (roller only) for 12384..... |
| 2020 | 22120 | Clamp Stop Motion Clamp Washer for 3022..... |
| 2022 | | Clamp Stop Motion Flanged Bushing Pin..... |
| 2049 | 22123 | Lifting Presser Bar Bell Crank Driving Arm Pin for 19361..... |
| 2102 | 22126 | Tension Disc for 44118..... |
| 2102 | 23253 | Bobbin Winder Tension Disc for 225462..... |

NUMERICAL LIST OF PARTS

| No. | Plate | Name |
|------|-------|---|
| 2106 | 24053 | Bobbin Winder Tension Thread Guide for 27308..... |
| 2135 | | Machine Pulley (stand) heavy rim, 2½ in. pulley, for use with 3022..... |
| 2455 | 24053 | Bobbin Winder Tension Disc for 27308..... |
| 2531 | 22125 | Shuttle Race Back for 24419..... |
| 2532 | 22125 | Shuttle Race Back Position Pin for 62517..... |
| 2533 | 22125 | Shuttle Race Back Spring for 24419..... |
| 2763 | 22909 | Foot Lifter Rock Shaft for 4880..... |
| 2763 | 22128 | Knee Lifter Rock Shaft for 139633..... |
| 2765 | 22128 | Knee Lifter Rock Shaft Knee Arm with 1509E, for 2768..... |
| 2766 | 22128 | Knee Lifter Rock Shaft Knee Arm Hub with 356C, for 2768..... |
| 2767 | 22128 | Knee Lifter Rock Shaft Knee Plate with 356C, for 2768..... |
| 2768 | | Knee Lifter Rock Shaft Knee Arm complete, for 139625, Nos. 2765, 2766 and 2767..... |
| 2770 | 22909 | Foot Lifter Rock Shaft Stop Dog with 140219C, for 4880..... |
| 2770 | 22128 | Knee Lifter Rock Shaft Stop Dog with 140219C, for 139633..... |
| 2862 | | Machine Pulley (stand) heavy rim, 3 in. pulley, for use with 3022..... |
| 2973 | 22125 | Shuttle Bobbin Case Latch Lever for 15141..... |
| 2974 | 22125 | Shuttle Bobbin Case Latch Lever Fulcrum Pin for 15141..... |
| 2975 | 22125 | Shuttle Bobbin Case Latch Spring for 62740..... |
| 2996 | 22125 | Shuttle Bobbin for 19292..... |
| 3022 | 22120 | Clamp Stop Motion complete, Nos. 248A, 256J, 2020 and 4933..... |
| 3023 | NOTE: | No. 3022 is furnished only when specified on order..... |
| 3039 | 22120 | Clamp Stop Motion Flanged Bushing for 4933..... |
| 3094 | 22120 | Feed Regulator for 56886..... |
| 4307 | 22119 | Thread Take-up Crank Wedge..... |
| 4784 | 22119 | Shuttle Race Slide Spring for 12432..... |
| 4802 | 4784 | Oscillating Rock Shaft Oil Pad for 24105..... |
| 4803 | 22124 | Needle Clamp Thread Guide for 4803..... |
| 4855 | 22123 | Needle Clamp complete, Nos. 651D, 4802, 13112 and 51323AL..... |
| 4879 | 22123 | Lifting Presser Bar Lifter..... |
| 4880 | 22909 | Foot Lifter Chain Connecting Link for 4885..... |
| 4881 | 22909 | Foot Lifter Rock Shaft complete, Nos. 2763, 2770, 7125, 12243 and two each 6337 and 12242..... |
| 4882 | 22909 | Foot Lifter Treadle for 4885..... |
| 4883 | 22909 | Foot Lifter Treadle Shaft for 4885..... |
| 4884 | 22909 | Foot Lifter Treadle Spring for 4885..... |
| 4885 | 22909 | Foot Lifter Treadle Stand for 4885..... |
| 4933 | 22909 | Foot Lifter Treadle complete, Nos. 4879, 4881, 4882, 4883, 4884 and two wood screws 1 in. No. 16..... |
| 5596 | 22120 | Clamp Stop Motion Flanged Bushing 3023 with two 462AL..... |
| 5596 | 22121 | Foot Lifter Bell Crank for 56848..... |
| 5598 | 22121 | Knee Lifter Bell Crank for 56848..... |
| 5598 | | Foot Lifter Bell Crank complete, Nos. 5735 and 56848..... |
| 5598 | | Knee Lifter Bell Crank complete, Nos. 5735 and 56848..... |
| 5599 | 22121 | Foot Lifter Bell Crank Bracket for 56848..... |
| 5601 | 22121 | Knee Lifter Bell Crank Bracket for 56848..... |
| 5601 | 22121 | Foot Lifter Bell Crank Hinge Pin for 56848..... |
| 5670 | 22121 | Knee Lifter Bell Crank Hinge Pin for 56848..... |
| 5670 | 22909 | Foot Lifter Chain, length 26 in. to 35 in., with 56864 and 56865..... |
| 5735 | NOTE: | When ordering No. 5670, state length required..... |
| 5735 | 22121 | Foot Lifter Bell Crank Spring for 5598..... |
| 6337 | 22121 | Knee Lifter Bell Crank Spring for 5598..... |
| 6337 | 22909 | Foot Lifter Rock Shaft Lifting Bracket with two 356C, for 4880..... |
| 6337 | 22128 | Knee Lifter Rock Shaft Lifting Bracket with two 356C, for 139633..... |
| 7125 | 22909 | Foot Lifter Rock Shaft Lifting Bracket Hook for 4880..... |

NUMERICAL LIST OF PARTS

| No. | Plate | Name |
|--------|-------|--|
| 7336 | 22126 | Thread Take-up Spring Regulator for 44118..... |
| 7539 | 22128 | Knee Lifter Rock Shaft Hanger with two wood screws 1 in. No. 10 F.H., for 139625..... |
| 8418 | 22343 | Belt Guard Button for 8420..... |
| 8419 | 22343 | Belt Guard Button Washer (leather) for 8420..... |
| 8420 | | Belt Guard Button 8418 with 8419 and wood screw 1-1/4 in. No. 9 R.H.B., for 41931..... |
| 8582 | 22119 | Arm Dowel Pin..... |
| 8879 | 22119 | Arm Spool Pin Washer (cloth)..... |
| 9331 | 22332 | Belt Guard Extension Screw Washer for 126365..... |
| 10141 | 24053 | Bobbin Winder Tension Spring for 27308..... |
| 11104 | 22120 | Arm Shaft Bushing (front) for 20339..... |
| 11119 | 22119 | Arm Oil Tube (front of arm) with 52045, for oiling 12408 and 19365..... |
| 11167 | 22123 | Lifting Presser Bar Spring (light) .051 wire..... |
| | NOTE: | No. 11167 is sent with this machine unless another spring is specified on order. |
| 11170 | 22123 | Lifting Presser Bar Spring Washer..... |
| 11204 | 22124 | Thread Take-up Lever Link Hinge Pin for 43990..... |
| 11241 | 24053 | Bobbin Winder Spool Pin Washer (cloth) for 27308..... |
| 12139 | | Lifting Presser Bar Spring (medium) .055 wire..... |
| 12149 | 22126 | Tension Thread Guard..... |
| 12150 | | Face Plate Thread Guard (lower) 44181 with 12152, for 19355..... |
| 12152 | 22119 | Face Plate Thread Guard (lower) Rivet for 12150..... |
| 12166 | 22124 | Thread Take-up Lever Hinge Pin for 12410..... |
| 12193 | 22119 | Arm Side Cover..... |
| 12240 | 22121 | Foot Lifter Lifting Lever Pin..... |
| 12240 | 22121 | Knee Lifter Lifting Lever Pin..... |
| 12241 | 22123 | Foot Lifter Lifting Lever Link..... |
| 12241 | 22123 | Knee Lifter Lifting Lever Link..... |
| 12242 | 22909 | Foot Lifter Rock Shaft Hanger with two wood screws 1 in. No. 10 F.H. for 4880..... |
| 12243 | 22909 | Foot Lifter Rock Shaft Lifting Bracket Hook for 4880..... |
| 12327 | 22123 | Lifting Presser Bar Lifting and Releasing Lever Bracket..... |
| 12329 | 22126 | Tension Releasing Lever Spring..... |
| 12357 | 22120 | Arm Shaft Flanged Bushing (back)..... |
| *12360 | | Bed..... |
| 12361 | 22127 | Machine Hinge Connection (Attachments and Accessories)..... |
| 12368 | 22121 | Feed Bar..... |
| 12376 | 22121 | Feed Lifting Rock Shaft Crank with 157J and 1813, for 44126..... |
| 12379 | 22121 | Feed Rock Shaft for 20333..... |
| 12382 | 22124 | Needle Bar Connecting Link with 794E, for 43997..... |
| 12384 | 22124 | Needle Bar Connecting Stud complete, for 43997, Nos. 453AL and 1904..... |
| 12388 | 22120 | Oscillating Rock Shaft Hinge Pin for 24105..... |
| 12389 | 22121 | Oscillating Shaft..... |
| 12391 | 22123 | Lifting Presser Bar (hollow)..... |
| 12393 | 22125 | Shuttle Body for 19292..... |
| 12394 | | Shuttle Driver for 12444..... |
| 12398 | 22126 | Tension Releasing Lever Hinge Pin..... |
| 12404 | 22124 | Thread Take-up Crank for 43990..... |
| 12408 | 22124 | Thread Take-up Lever for 12410..... |
| 12409 | 22124 | Thread Take-up Lever Link for 12410..... |
| 12410 | | Thread Take-up Lever complete, for 43990, Nos. 12166, 12408 and 12409..... |
| 12415 | 22121 | Foot Lifter Lifting Lever Connecting Rod..... |
| 12415 | 22121 | Knee Lifter Lifting Lever Connecting Rod..... |
| 12416 | 22121 | Foot Lifter Lifting Lever Connecting Rod Joint..... |
| 12416 | 22121 | Knee Lifter Lifting Lever Connecting Rod Joint..... |
| 12424 | 22121 | Oscillating Shaft Crank Slide Block Cap Screw Washer for 19449..... |

NUMERICAL LIST OF PARTS

| No. | Plate | Name |
|--------|-------|---|
| 12427 | 22120 | Arm Shaft for 44121..... |
| 12431 | 22119 | Shuttle Race Slide for 12432..... |
| 12432 | 22119 | Shuttle Race Slide complete, Nos. 4307, 12431 and two 725J..... |
| 12444 | 22121 | Shuttle Driver 12394 with two 1266AL..... |
| 12453 | 22119 | Arm Oil Tube, for intermediate bearing..... |
| 12454 | 22119 | Arm Oil Tube with 132590, for oiling 12409..... |
| 12481 | 22122 | Feed Dog, 18 teeth (16 teeth to the inch)..... |
| 12482 | 22122 | Throat Plate, large needle hole, for 12481..... |
| 12483 | 22122 | Throat Plate, small needle hole, for 12481..... |
| 13112 | 22124 | Needle Clamp Body for 4803..... |
| 13710 | 23253 | Bobbin Winder Tension Spring for 225462..... |
| 14010 | 22909 | Machine Base Bed Frame Hinge Plate Rivet for 20067..... |
| 15072 | 24053 | Bobbin Winder Bobbin Position Pin for 27538..... |
| 15140 | 22125 | Shuttle Bobbin Case Latch for 15141..... |
| 15141 | | Shuttle Bobbin Case Hinge, for 62740, Nos. 2973, 2974 and 15140..... |
| 15278 | 22125 | Shuttle Tension Spring..... |
| 16555 | 22909 | Machine Base Bed Frame Hinge Plate for 20067..... |
| 19219 | 22909 | Machine Base Bed Frame Cushion (leather) for 20067..... |
| 19220 | 22909 | Machine Base Bed Frame Cushion Spring for 20067..... |
| 19226 | 22909 | Machine Base Bed Frame Hinge Connection for 19398..... |
| 19229 | 22124 | Needle Bar (hollow)..... |
| 19292 | 22125 | Shuttle 1 11/16 in. diam., Nos. 2996, 12393 and 62740..... |
| 19354 | 22119 | Face Plate for 19355..... |
| 19355 | 22119 | Face Plate complete, Nos. 12150, 19354 and 139615..... |
| 19356 | 22123 | Lifting Presser Bar Bell Crank for 44268..... |
| 19357 | 22123 | Lifting Presser Bar Bell Crank Connecting Link for 44268..... |
| 19358 | 22123 | Lifting Presser Bar Bell Crank Driving Arm for 19361..... |
| 19359 | 22123 | Lifting Presser Bar Bell Crank Driving Arm Shaft for 19361..... |
| 19360 | 22123 | Lifting Presser Bar Bell Crank Driving Arm Shaft Bracket for 19361..... |
| 19361 | | Lifting Presser Bar Bell Crank Driving Arm Shaft Bracket complete, Nos. 2049, 19358, 19359 and 19360..... |
| 19362 | 22120 | Lifting Presser Bar Bell Crank Driving Arm Eccentric Connection for 62637..... |
| 19365 | 22120 | Needle Bar Crank and Lifting Eccentric with 448AL and 743AL, for 62637..... |
| 19367 | 22123 | Vibrating Presser Bar Cap..... |
| 19368 | 22123 | Vibrating Presser Bar Cushion (rawhide)..... |
| 19369 | 22123 | Vibrating Presser Bar Spring..... |
| 19370 | 22122 | Vibrating Presser Foot..... |
| 19397 | 22909 | Machine Base Bed Frame Hinge Connection Cap for 19398..... |
| 19398 | | Machine Base Bed Frame Hinge Connection 19226 with 211E and 19397, for 20067..... |
| 19448 | 22121 | Oscillating Shaft Crank Slide Block for 19449..... |
| 19449 | | Oscillating Shaft Crank Slide Block complete, for 44135, Nos. 226J, 988C, 12424 and 19448..... |
| 20023 | | Lifting Presser Bar Spring (heavy) .063 wire..... |
| 20067 | 22909 | Machine Base Bed Frame with two each 16555, 19398, four each 19219, 19220, six each 14010, wood screws 1/4 in. No. 12 and eight 158C..... |
| 20197 | 22120 | Crank Connecting Rod with 125044 and two 896AL, for 44195..... |
| 20283 | 22120 | Feed and Feed Lifting Eccentric with 446AL, for 44121..... |
| 20284 | 22120 | Feed Forked Connection for 43993..... |
| 20333 | | Feed Rock Shaft complete, Nos. 12379 and 29633..... |
| *20339 | | Arm with 11104..... |
| 20340 | 22121 | Foot Lifter Lifting Lever with 448AL..... |
| 20340 | 22121 | Knee Lifter Lifting Lever with 448AL..... |
| 24104 | 22120 | Oscillating Rock Shaft for 24105..... |
| 24105 | 22120 | Oscillating Rock Shaft complete, Nos. 4784, 12388 and 24104..... |

NUMERICAL LIST OF PARTS

| No. | Plate | Name |
|-------|-------|---|
| 24131 | 22119 | Arm Oil Tube with 52045, for oiling 20283. |
| 24412 | 22125 | Shuttle Bobbin Case Position Plate for 24419. |
| 24413 | 22125 | Shuttle Race Body for 62502. |
| 24418 | 22125 | Shuttle Race Cap for 62502. |
| 24419 | 22125 | Shuttle Race complete, Nos. 907D, 2531, 2533, 24412, 62517 and two 391J. |
| 24589 | 22123 | Lifting Presser Bar Guide Bracket with 453AL, for 44268. |
| 24590 | 22123 | Lifting Presser Bar Guide Bracket Support. |
| 25866 | 22122 | Guide. |
| 26026 | 22127 | Screw Driver (machine) Attachments and Accessories. |
| 26485 | 22127 | Screw Driver (shuttle tension) Attachments and Accessories. |
| 27302 | 24053 | Bobbin Winder Frame for 27647. |
| 27303 | 24053 | Bobbin Winder Frame Spring for 27647. |
| 27306 | 24053 | Bobbin Winder Spool Pin for 27308. |
| 27307 | 24053 | Bobbin Winder Spool Stand for 27308. |
| 27308 | 24053 | Bobbin Winder Spool Stand complete, for 27544, Nos. 418E, 1562J, 2106, 10141, 11241, 27306, 27307 and two each 2455 and wood screws 1 in. No. 10. |
| 27312 | 24053 | Bobbin Winder Stop Latch for 27647. |
| 27538 | 24053 | Bobbin Winder Spindle Collar with 15072 and 41828, for 27647. |
| 27540 | 24053 | Bobbin Winder Base for 27647. |
| 27541 | 24053 | Bobbin Winder Pulley for 27647. |
| 27544 | 24053 | Bobbin Winder (swinging automatic, right hand) complete, Nos. 27308 and 27647. |
| 27647 | 24053 | Bobbin Winder for 27544, Nos. 35D, 1620J, 27302, 27303, 27312, 27538, 27540, 27541, 50356D and two wood screws 1 in. No. 7. |
| 27739 | 23289 | Thread Unwinder Thread Cone (wood) for large cones. |
| | | NOTE: No. 27739 is used with, but not included in 225258. |
| 29633 | 22121 | Feed Rock Shaft Crank with 157R, for 20333. |
| 32572 | 22126 | Tension Releasing Disc for 44118. |
| 32574 | 22126 | Tension Releasing Pin for 44118. |
| 36818 | 22129 | Finger Guard for 36821. |
| 36819 | 22129 | Finger Guard Friction Washer for 36821. |
| 36820 | 22129 | Finger Guard Holder with 196J, for 36821. |
| 36821 | 22129 | Finger Guard (metal) complete, Nos. 36818, 36819, 36820 and 50316J. |
| 41400 | 22127 | Machine Rest Pin (wood) 3-1/8 in. long (Attachments and Accessories). |
| 41828 | 24053 | Bobbin Winder Spindle Collar Pin for 27538. |
| 41929 | 22343 | Belt Guard for 41931. |
| 41930 | 22343 | Belt Guard Hinge for 41931. |
| 41931 | 22343 | Belt Guard complete, Nos. 8420, 41929, two 41930 and four wood screws 3/4 in. No. 9. |
| 43944 | 22126 | Tension Releasing Lever. |
| 43945 | 22126 | Tension Spring for 44118. |
| 43946 | 22126 | Thread Take-up Spring for 44118. |
| 43976 | 22120 | Feed Lifting Rock Shaft Crank Connecting Rod with 125044 and two 966E. |
| 43990 | | Thread Take-up complete, Nos. 775E, 11204, 12404, 12410 and 43997. |
| 43993 | | Feed Forked Connection complete, Nos. 20284, 52165, 56886 and two each 375C and 1518J. |
| 43997 | | Needle Bar Connecting Link 12382 with 12384 for 43990. |
| 44118 | 22126 | Tension complete, Nos. 7336, 32572, 32574, 43945, 43946, 44141 and two 2102. |
| 44121 | | Arm Shaft 12427 with 20283, 62637 and 127152, for 44195. |
| 44125 | 22121 | Feed Lifting Rock Shaft for 44126. |
| 44126 | | Feed Lifting Rock Shaft complete, Nos. 12376 and 44125. |
| 44134 | 22121 | Oscillating Shaft Crank for 44135. |
| 44135 | | Oscillating Shaft Crank complete, Nos. 1518E, 19449, 44134 and two 453AL. |

NUMERICAL LIST OF PARTS

| No. | Plate | Name |
|---------|-------|---|
| 44141 | | Tension Screw Stud 50327C with 1560C, for 44118. |
| 44181 | 22119 | Face Plate Thread Guard (lower) for 12150. |
| 44195 | | Arm Shaft 44121 with 20197. |
| 44268 | | Lifting Presser Bar Guide Bracket complete, Nos. 19356, 19357, 24589, 44270 and three 199J. |
| 44269 | 22122 | Lifting Presser Foot. |
| 44270 | 22123 | Vibrating Presser Bar for 44268. |
| 45874 | 22119 | Face Plate Thread Guard (upper) for 139615. |
| 50302J | 22129 | Finger Guard Holder Set Screw for 120497 and 120858. |
| 50316J | 22129 | Finger Guard Hinge Screw for 36821. |
| 50327C | 22126 | Tension Screw Stud for 44141. |
| 50356D | 24053 | Bobbin Winder Frame Hinge Screw for 27647. |
| 50551J | 22332 | Belt Guard Set Screw for 126365. |
| 51224W | 22119 | Arm Side Cover Thumb Screw. |
| 51323AL | 22124 | Needle Clamp Screw for 4803. |
| 52045 | 22119 | Arm Oil Tube Packing (braided cotton) for 11119 and 24131. |
| 52165 | 22120 | Feed Connecting Link for 43993. |
| 52239 | 22119 | Arm Spool Pin and Thread Eyelet. |
| 52454 | 22126 | Thread Retainer. |
| 56813 | | Feed Bar Screw Center 313C with 1519J. |
| 56814 | | Feed Lifting Rock Shaft Screw Center 307C with 1513J. |
| 56814 | | Feed Rock Shaft Screw Center 307C with 1513J. |
| 56848 | | Foot Lifter Bell Crank 5596 with 5599 and 5601, for 5598. |
| 56848 | | Knee Lifter Bell Crank 5596 with 5599 and 5601, for 5598. |
| 56864 | 22909 | Foot Lifter Chain Hook (large) for 5670. |
| 56865 | 22909 | Foot Lifter Chain Hook (small) for 5670. |
| 56886 | | Feed Regulator 3039 with 818W, for 43993. |
| 56898 | | Machine Pulley (stand) heavy rim, "V" belt groove (outside diam., of belt groove 2.9 in.) with two 435AL. |
| 62502 | | Shuttle Race Body 24413 with 24418 and two 1053E, for 62517. |
| 62517 | | Shuttle Race Body 62502 with two 2532, for 24419. |
| 62637 | | Lifting Presser Bar Bell Crank Driving Arm Eccentric Connection 19362 with 19365, for 44121. |
| 62740 | 22125 | Shuttle Bobbin Case, for 19292, Nos. 592E, 2975 and 15141. |
| 120342 | 22127 | Oiler (copper plated) with 120343 (Attachments and Accessories). |
| 120343 | 22127 | Oiler Spout, 3-1/2 in. long, for 120342. |
| 120496 | | Finger Guard for 120498. |
| 120497 | | Finger Guard Holder with 50302J, for 120498. |
| 120498 | | Finger Guard (metal) complete, Nos. 236J, 120496 and 120497. |
| 120857 | 22129 | Finger Guard for 120860. |
| 120858 | 22129 | Finger Guard Holder with 50302J, for 120860. |
| 120860 | 22129 | Finger Guard (wire) complete, Nos. 120857, 120858 and two 236J. |
| 125044 | 22120 | Crank Connecting Rod Oil Pad (felt) for 20197. |
| 125044 | 22120 | Feed Lifting Rock Shaft Crank Connecting Rod Oil Pad (felt) for 43976. |
| 125424 | 22119 | Face Plate Thread Guard (upper) Rivet for 139615. |
| 126356 | 22332 | Belt Guard for 126365. |
| 126363 | 22332 | Belt Guard Bracket for 126365. |
| 126364 | 22332 | Belt Guard Extension for 126365. |
| 126365 | 22332 | Belt Guard (adjustable) complete, for Bench Stand, Nos. 162D, 1480D, 9331, 50551J, 126356, 126363, 126364 and two wood screws 1 in. No. 10. |
| 127152 | 22120 | Feed and Feed Lifting Eccentric Sleeve for 44121. |
| 132590 | 22119 | Arm Oil Tube Oil Pad (wick) for 12454. |
| 139603 | 22120 | Feed Regulator Hinge Screw Friction Washer. |
| 139615 | | Face Plate Thread Guard (upper) 45874 and 125424, for 19355. |

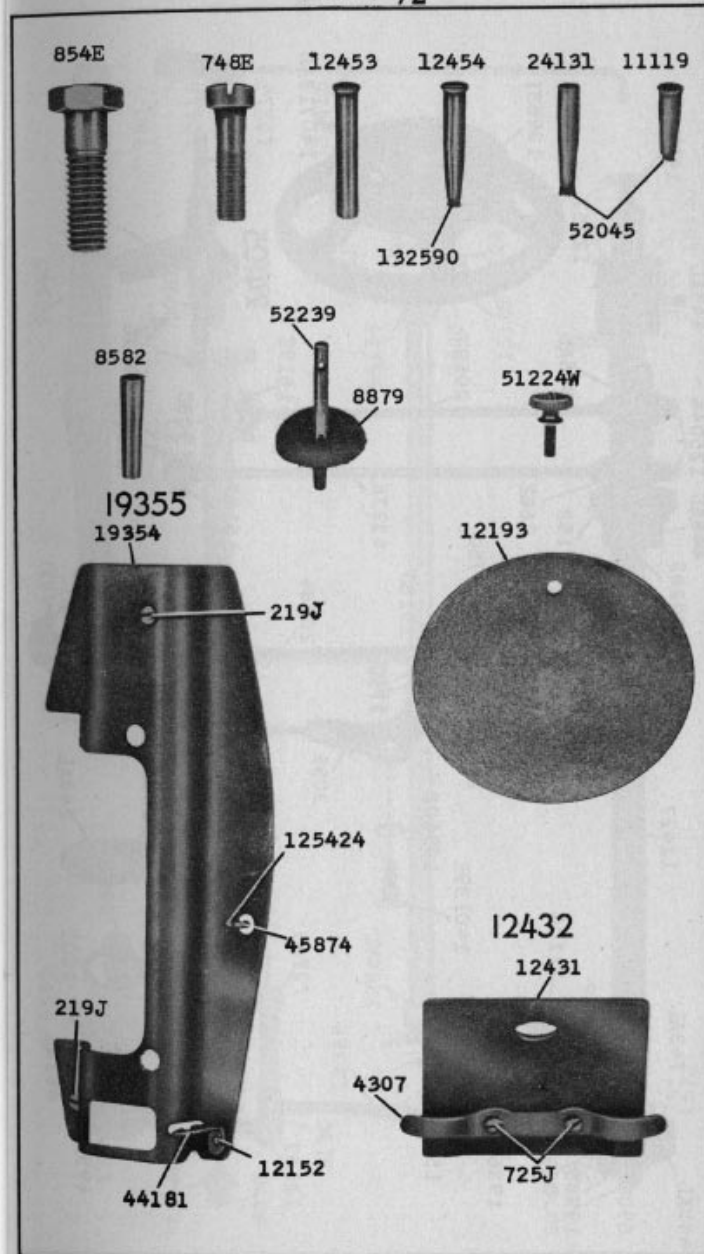
| No. | Plate | Name |
|----------|-------|---|
| 139623 | 22128 | Knee Lifter Rock Shaft Lifting Bracket Hook for 139633..... |
| 139625 | 22128 | Knee Lifter Rock Shaft complete, Nos. 2768, 139633 and two 7539..... |
| 139631 | 22120 | Machine Pulley (power) light rim, "V" belt groove (outside diam. of belt groove 2.9 in.) with two 140713AL..... |
| 139633 | | NOTE: No. 139631 is regularly furnished with the machine. Knee Lifter Rock Shaft 2763 with 2770, 6337 and 139623, for 139625..... |
| 139637 | | Drip Pan with four 1 in. wire nails, for power table..... |
| 140139E | 22120 | Feed Regulator Hinge Screw..... |
| 140219C | 22909 | Foot Lifter Rock Shaft Stop Dog Set Screw for 2770..... |
| 140219C | | Knee Lifter Rock Shaft Stop Dog Set Screw for 2770..... |
| 140713AL | 22120 | Machine Pulley Set Screw for 139631..... |
| 150203 | 23289 | Thread Unwinder Spool Rest Cushion (felt) for 225258..... |
| 200056E | 23253 | Bobbin Winder Stop Latch Screw for 259431 and 259462..... |
| 200082D | 23253 | Bobbin Winder Tension Bracket Screw for 259431 and 259462..... |
| 200113F | 23253 | Bobbin Winder Brake Clamp Screw for 259431 and 259462..... |
| 200299B | 23253 | Bobbin Winder Stop Latch Trip Lever Hinge Screw for 259431 and 259462..... |
| 200380C | 23253 | Bobbin Winder Pulley Set Screw for 225368 and 259461..... |
| 200383C | 23289 | Thread Unwinder Spool Rest Rod Set Screw for 259658..... |
| 201018C | 23289 | Thread Unwinder Spool Rest Set Screw for 225257..... |
| 201499B | 23253 | Bobbin Winder Tension Stud for 225461..... |
| 201528X | 23289 | Thread Unwinder Spool Pin Nut for 225257..... |
| 201572B | 23253 | Bobbin Winder Tension Stud Thumb Nut for 225462..... |
| 201696J | 23289 | Thread Unwinder Thread Guide Lock Nut for 225258..... |
| 202277 | 23253 | Bobbin Winder Frame Oil Packing (wick) for 225453..... |
| 202478 | 23253 | Bobbin Winder Stop Latch Trip Lever for 259431 and 259462..... |
| 225257 | 23289 | Thread Unwinder Spool Rest with 201018C and two each 201528X, 228692 and 228693, for 225258..... |
| 225258 | 23289 | Thread Unwinder complete, Nos. 201696J, 225257, 225324, 225326, 225388, 259658, two each 150203, 225391 and three wood screws 3/4 in. No. 12 F.H..... |
| 225322 | 23289 | Thread Unwinder Thread Guide Rod Washer for 225324..... |
| 225324 | 23289 | Thread Unwinder Thread Guide Rod with 208AL and 225322, for 225258..... |
| 225326 | 23289 | Thread Unwinder Thread Guide Position Cup for 225258..... |
| 225368 | 23253 | Bobbin Winder Pulley with 200380C, for 259431..... |
| 225381 | 23253 | Bobbin Winder Spindle for 259431 and 259462..... |
| 225388 | 23289 | Thread Unwinder Spool Rest Rod for 225258..... |
| 225390 | 23289 | Thread Unwinder Thread Cone Holder, for inverted cones. NOTE: No. 225390 is used with, but not included in 225258..... |
| 225391 | 23289 | Thread Unwinder Thread Guide for 225258..... |
| 225444 | 23253 | Bobbin Winder Stop Latch for 259431 and 259462..... |
| 225453 | 23253 | Bobbin Winder Frame with 202277 and 259660, for 259431 and 259462..... |
| 225454 | 23253 | Bobbin Winder Frame Hinge Pin for 259431 and 259462..... |
| 225455 | 23253 | Bobbin Winder Frame Spring for 259431 and 259462..... |
| 225456 | 23253 | Bobbin Winder Frame Spring Plunger for 259431 and 259462..... |
| 225458 | 23253 | Bobbin Winder Stop Latch Thumb Lever for 259431 and 259462..... |
| 225459 | 23253 | Bobbin Winder Stop Latch Thumb Lever Hinge Stud for 259431 and 259462..... |
| 225459 | 23253 | Bobbin Winder Stop Latch Thumb Lever Joint Stud for 259431 and 259462..... |
| 225461 | 23253 | Bobbin Winder Tension Bracket with 201499B, for 225462..... |

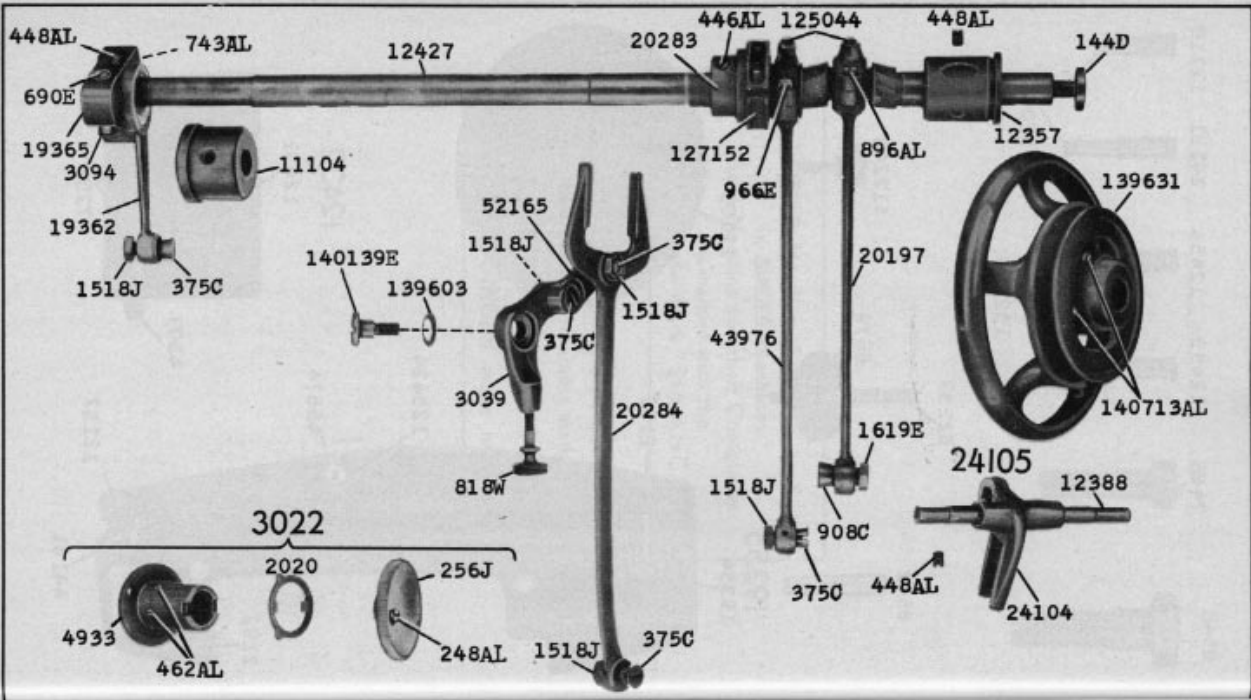
| No. | Plate | Name |
|--------|-------|---|
| 225462 | 23253 | Bobbin Winder Tension Bracket complete, for 259431 and 259462, Nos. 13710, 201572B, 225461 and two 2102..... |
| 228026 | 23253 | Bobbin Winder Tension Bracket Screw Washer for 259431 and 259462..... |
| 228692 | 23289 | Thread Unwinder Spool Pin for 225257..... |
| 228693 | 23289 | Thread Unwinder Spool Pin Washer for 225257..... |
| 259428 | 23253 | Bobbin Winder Brake (leather) for 259431 and 259462..... |
| 259429 | 23253 | Bobbin Winder Brake Clamp for 259431 and 259462..... |
| 259430 | 23253 | Bobbin Winder and Tension Bracket Base for 259431..... |
| 259431 | 23253 | Bobbin Winder complete, Nos. 200056E, 200082D, 200113F, 200299B, 202478, 225368, 225381, 225444, 225453, 225454, 225455, 225456, 225458, 225462, 228026, 259428, 259429, 259430 and two each 225459 and wood screws 3/4 in. No. 12 R.H.B..... |
| 259461 | 23253 | Bobbin Winder Pulley with 200380C, for 259462..... |
| 259462 | 23253 | Bobbin Winder complete, for "V" belt, Nos. 200056E, 200082D, 200113F, 200299B, 202478, 225381, 225444, 225453, 225454, 225455, 225456, 225458, 225462, 228026, 259428, 259429, 259461, 259662 and two each 225459 and wood screws 3/4 in. No. 12 R.H..... |
| 259658 | 23289 | Thread Unwinder Spool Stand with 200383C, for 225258..... |
| 259660 | 23253 | Bobbin Winder Frame Oil Well Washer for 225453..... |
| 259662 | 23253 | Bobbin Winder and Tension Bracket Base for 259462..... |

22119.1/2

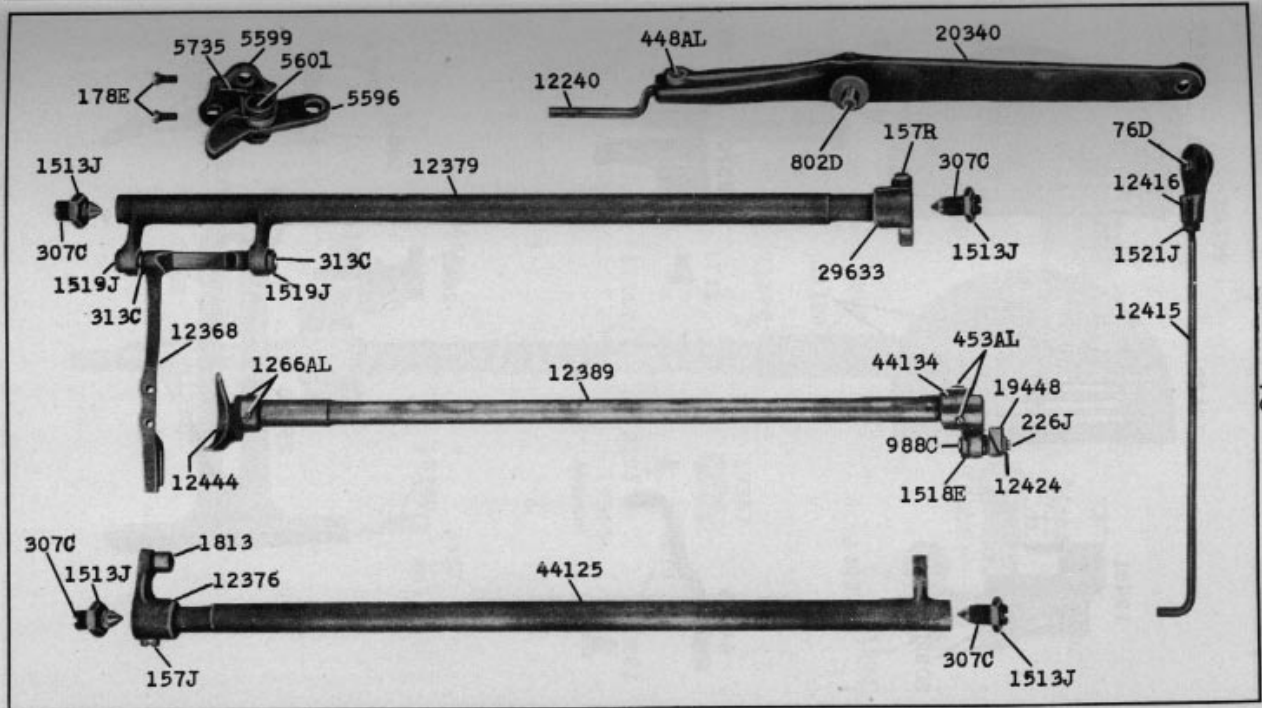
SINGER Needles should be used
in SINGER Machines
These Needles and their Containers
are marked with the
Company's Trade Mark "SIMANCO.**" 1

Needles in Containers marked
"FOR SINGER MACHINES"
are NOT SINGER made needles. 2



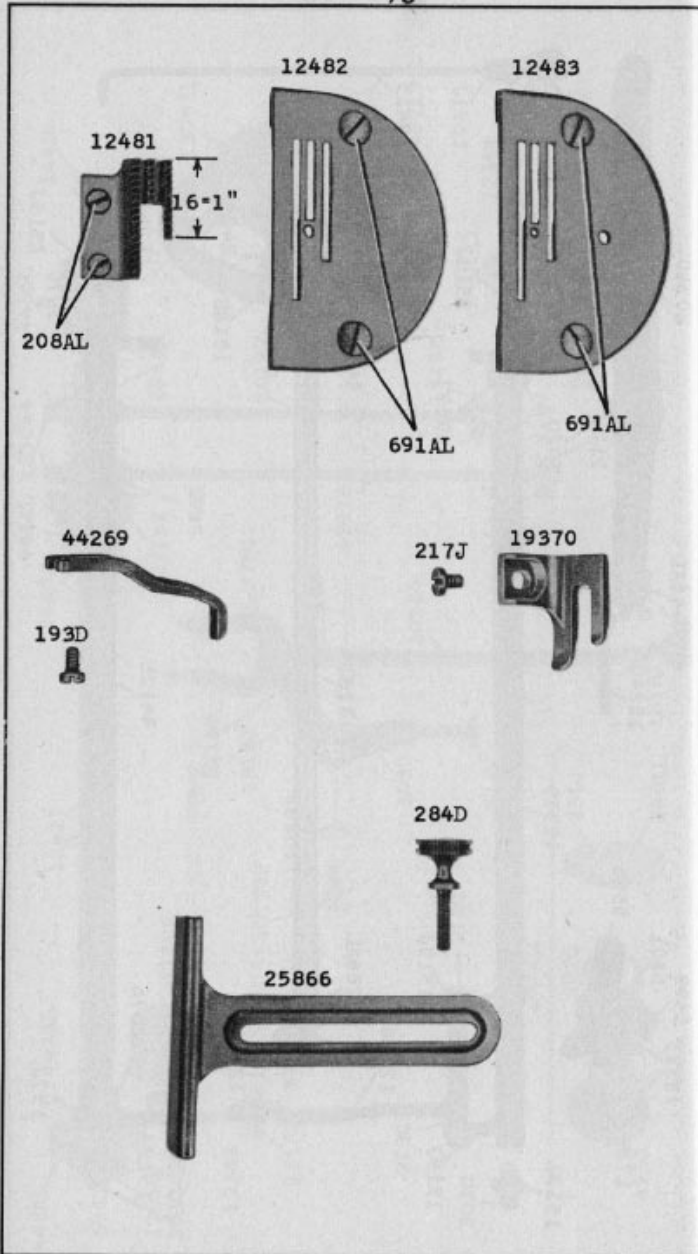


22120-1/3

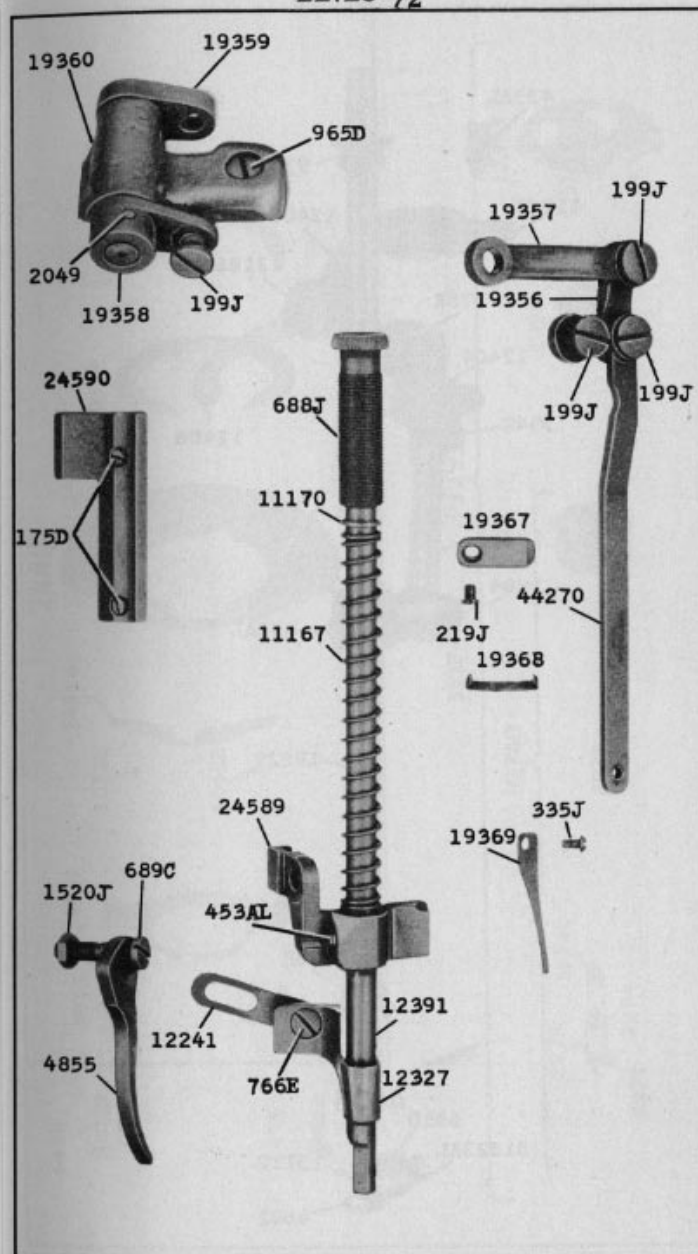


22121-1/3

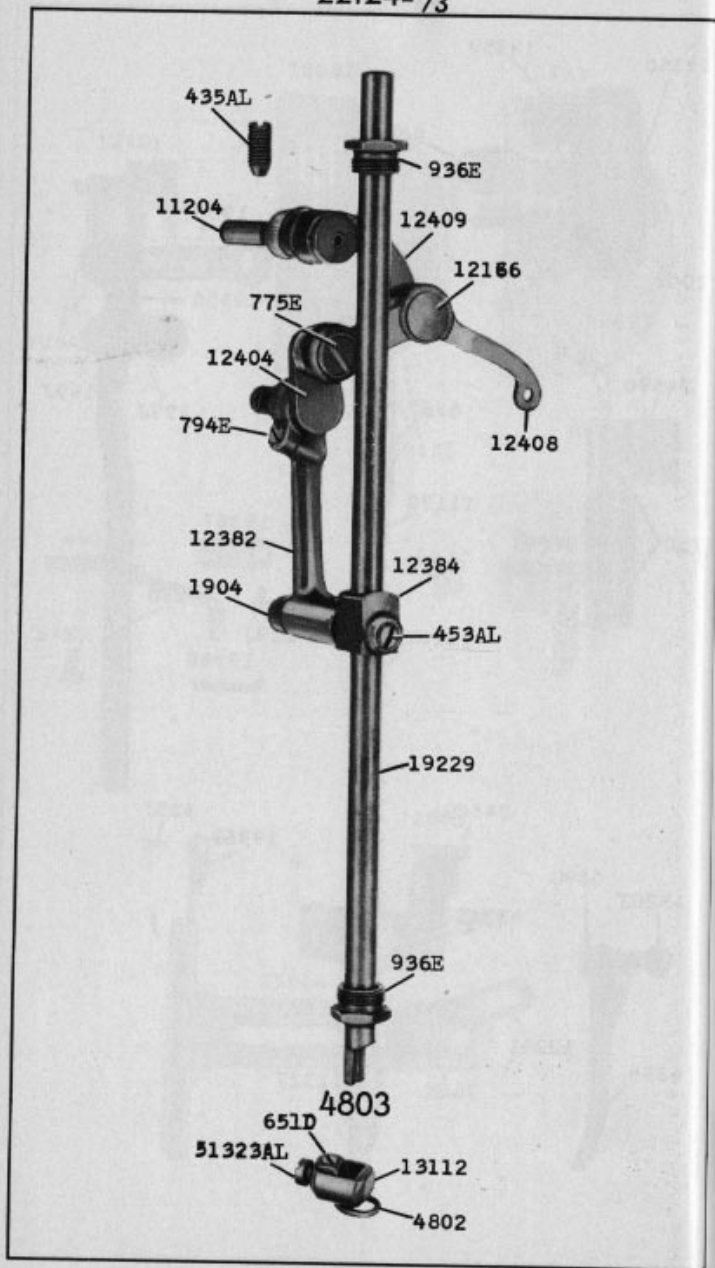
22122-2/3

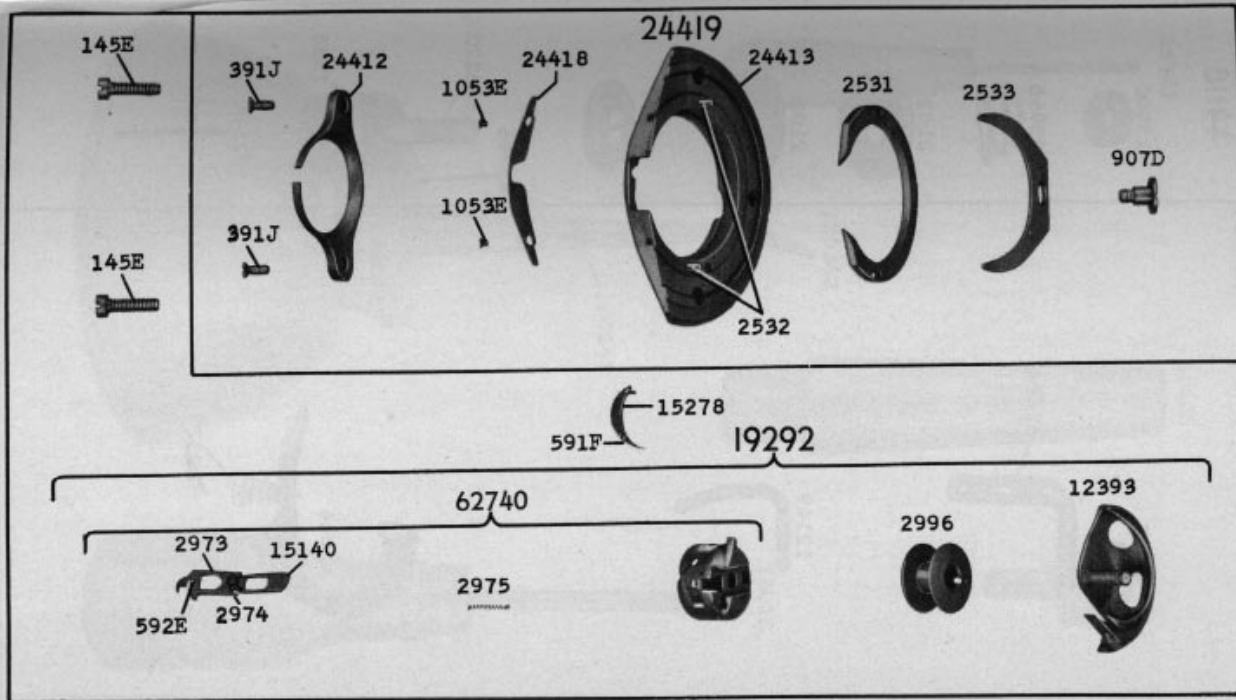


22123-1/2



22124-2/3





22125-1/2

22126-2/3

624AL



52454

12149



43944

12398

12329

448AL



44118

1560C



43945



2102



2102



32572



43946

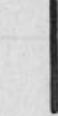


50327C



7336

32574



22127-2/3

26485



41400



12361



120342

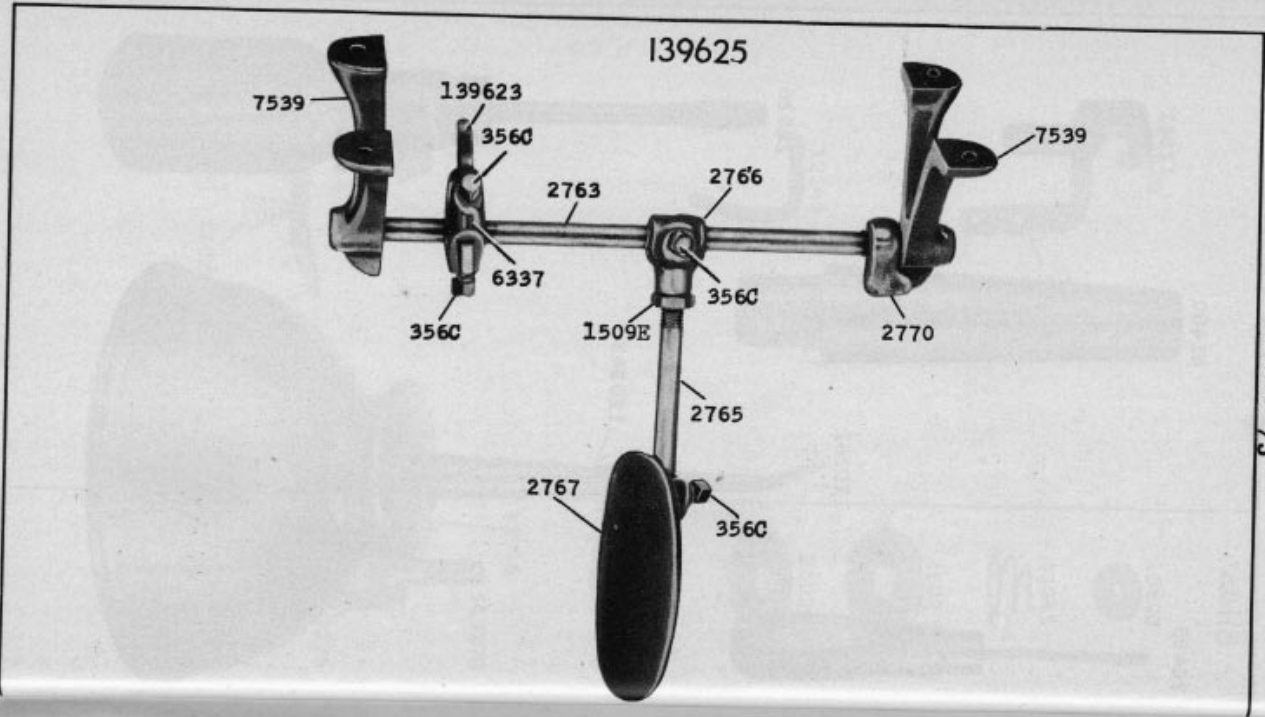


120343



26026

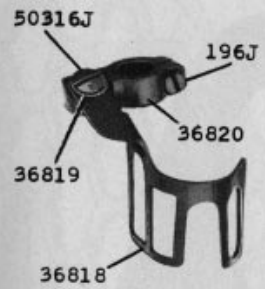




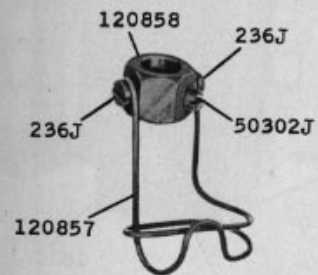
22128-1/3

22129-2/3

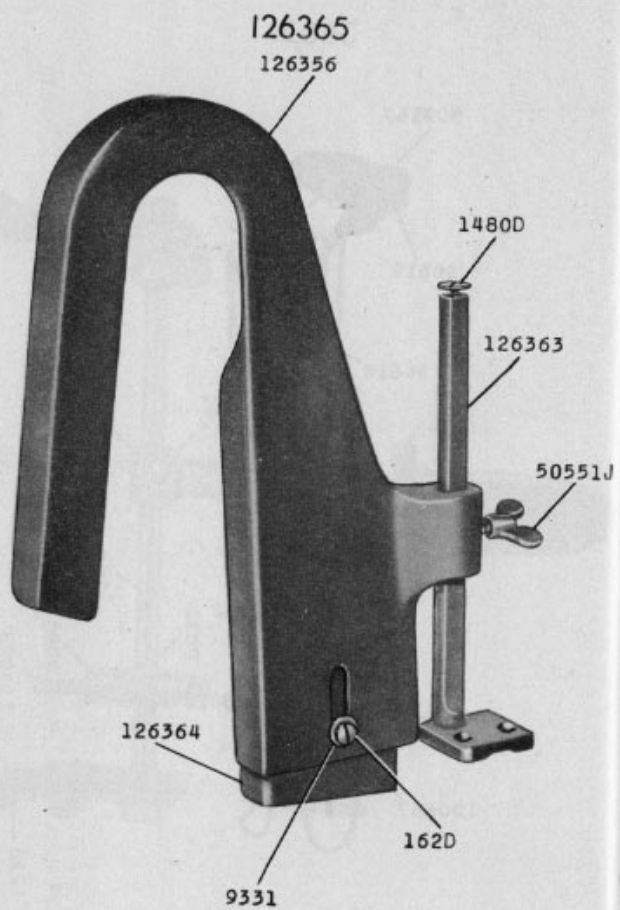
36821



120860

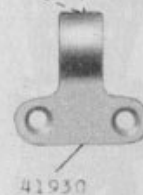
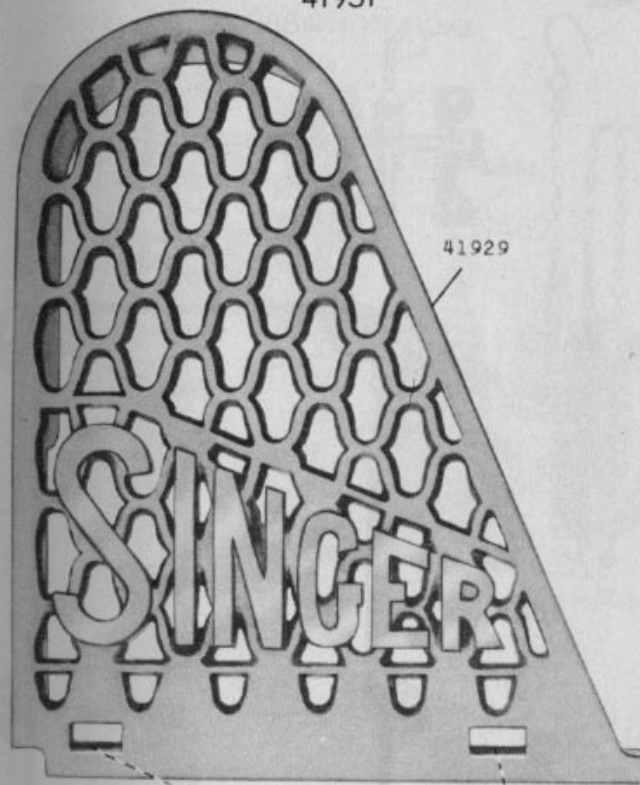


22332 - 1/3

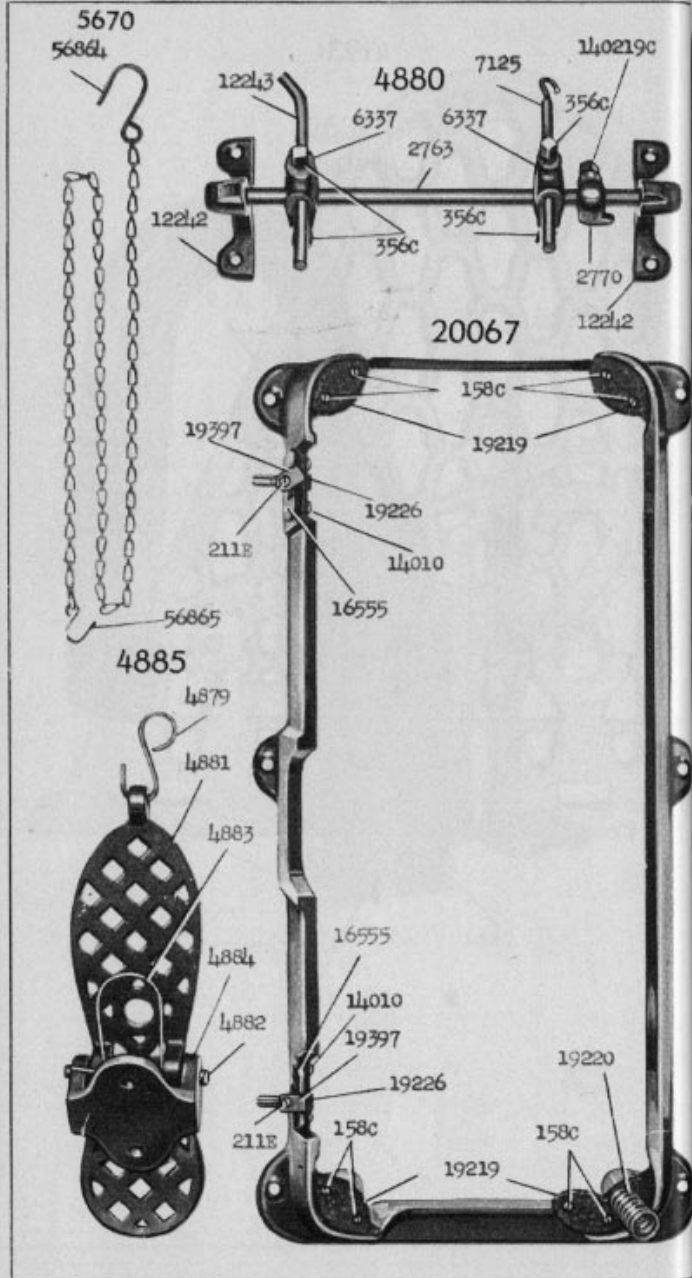


22343 - 1/2

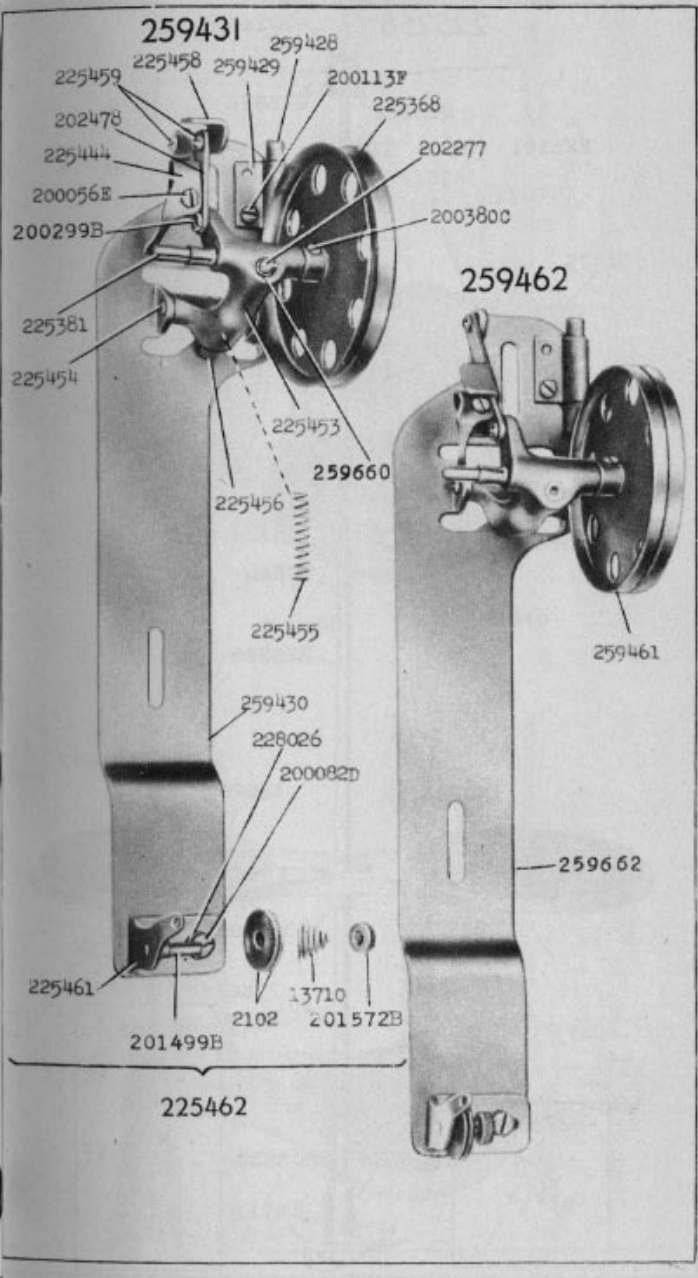
41931



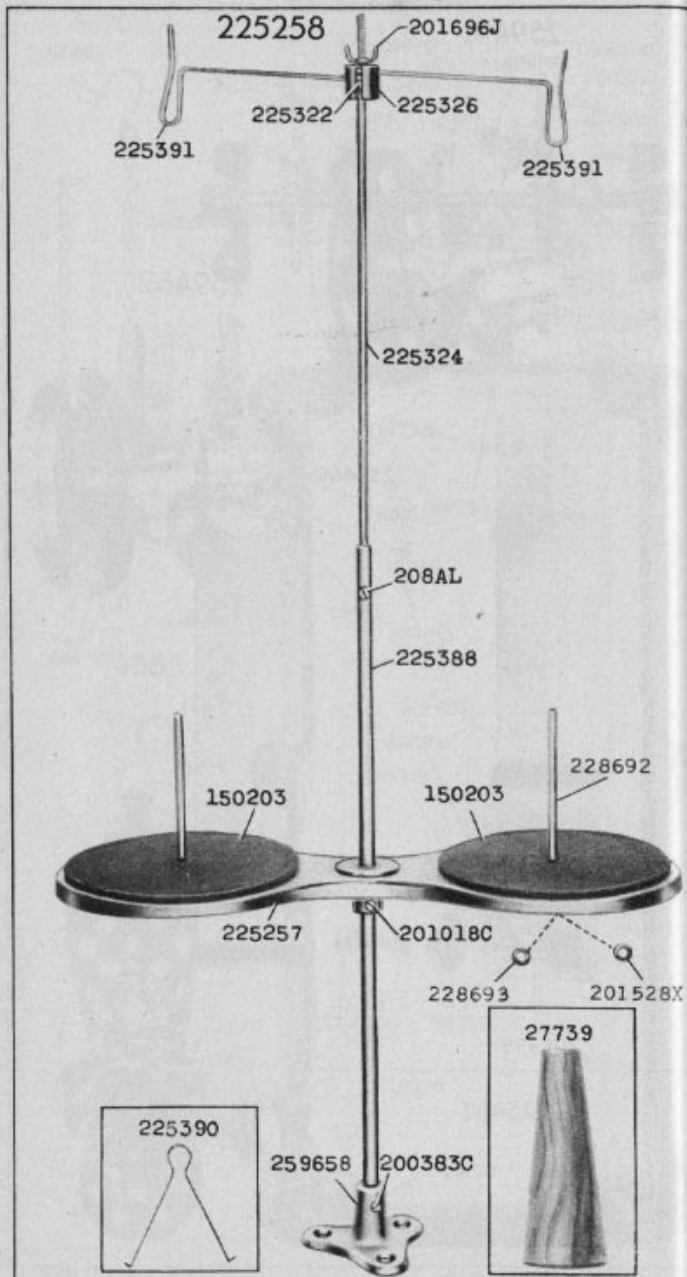
22909 - 1/4



23253 - 3/8



23289 - 1/4



24053 - 2/3

