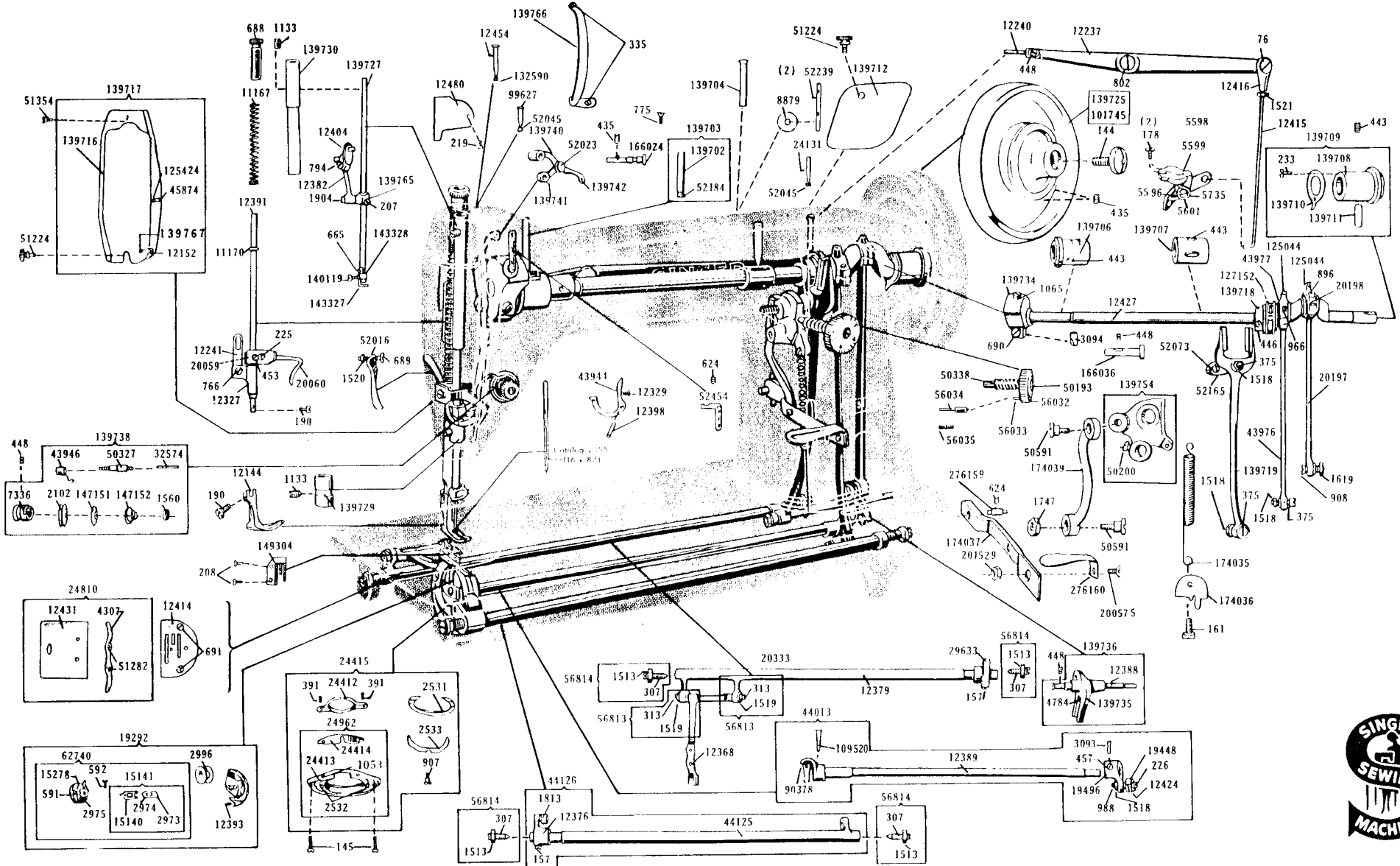


SINGER
331K104

SINGER^{*} 331K104



*A Trademark of THE SINGER COMPANY

NUMERICAL LIST OF PARTS FOR MACHINE 331K1U4

PART NO.	DESCRIPTION	PART NO.	DESCRIPTION	PART NO.	DESCRIPTION	PART NO.	DESCRIPTION
76	Lifting Lever Connecting Rod Screw	1133	Needle Bar Bushing (upper) Set Screw	12393	Shuttle Body	56813	Feed Bar Screw Centre
144	Arm Shaft Screw	1208	Shuttle Race Slide Spring Screw	12398	Tension Releasing Lever Hinge Pin	56814	Feed Lifting Rock Shaft Screw Centre
145	Shuttle Race Screw	1513	Feed Lifting Rock Shaft Nut	12404	Thread Take-up Crank	62740	Shuttle Bobbin Case
157	Feed Lifting Rock Shaft Screw	1513	Feed Rock Shaft Nut	12414	Throat Plate	90378	Shuttle Driver with two 109520
157	Feed Rock Shaft Screw	1513	Feed Wheel Frame Nut	12415	Lifting Lever Connecting Rod	99627	Arm Oil Tube
161	Feed Regulator Bracket Screw	1518	Feed Connecting Link Hinge Nut	12416	Lifting Lever Connecting Rod Joint	101745	Machine Pulley, for U.S.A.
178	Knee Lifter Bracket Screw	1518	Feed Forked Connection Nut	12424	Oscillating Shaft Crank Washer	109520	Shuttle Driver Set Screw
178	Foot Lifter Bracket Screw	1518	Feed Lifting Rock Shaft Nut	12427	Arm Shaft	125044	Connecting Rod Oil Pad
190	Presser Foot Screw	1518	Oscillating Shaft Crank Nut	12431	Shuttle Race Slide	125044	Rock Shaft Oil Pad
207	Needle Bar Clamping Screw	1519	Feed Bar Screw Centre Nut	12454	Arm Oil Tube	125424	Face Plate Guard (upper) Rivet
208	Feed Dog Screw	1520	Presser Bar Lifter Screw Nut	12480	Arm Side Cap	127152	Feed and Feed Lifting Sleeve
219	Arm Side Cap Screw	1521	Lifting Lever Rod Lock Nut	19292	Shuttle, complete	132590	Arm Oil Tube Packing
225	Slack Thread Adjusting Screw	1560	Tension Regulating Thumb Nut	19448	Oscillating Shaft Crank Block	139702	Arm Oil Tube
226	Oscillating Shaft Crank Screw	1619	Connecting Rod Hinge Screw Nut	19496	Oscillating Shaft Crank	139703	Arm Oil Tube
233	Arm Shaft Oil Drip Screw	1747	Feed Reversing Lever Screw Nut	20059	Presser Bar Guide Bracket	139704	Arm Oil Tube
307	Feed Lifting Rock Shaft Screw Centre	1813	Feed Lifting Rock Shaft Roller and Stud	20060	Slack Thread Regulator	139706	Arm Shaft Bushing (front)
307	Feed Rock Shaft Screw Centre	1904	Feed Lifting Rock Shaft Roller	20197	Crank Connecting Rod	139707	Arm Shaft Bushing (intermediate)
307	Feed Wheel Frame Shaft Screw Centre	1904	Needle Bar Connecting Stud Roller	20198	Crank Connecting Rod Cap	139708	Arm Shaft Flanged Bushing (back)
313	Feed Bar Screw Centre	2049	Lifting Presser Bar Arm Pin	20333	Feed Rock Shaft, complete	139709	Arm Shaft Flanged Bushing, complete
335	Take-up Lever Guard Screw	2102	Tension Disc	24131	Arm Oil Tube	139710	Flanged Bushing (back) Oil Drip
375	Feed Connecting Link Hinge Screw	2531	Shuttle Race Back	24412	Bobbin Case Position Plate	139711	Flanged Bushing (back) Oil Pad
375	Feed Forked Hinge Screw	2532	Shuttle Race Back Position Pin	24413	Shuttle Race Body	139712	Arm Side Cover
375	Feed Lifting Rock Shaft Screw	2533	Shuttle Race Back Spring	24414	Shuttle Race Cap	139716	Face Plate
391	Shuttle Bobbin Case Plate Screw	2996	Bobbin	24415	Shuttle Race, complete	139717	Face Plate, complete
435	Machine Pulley Set Screw	3093	Oscillating Shaft Crank Pin	24810	Shuttle Race Slide, complete	139718	Feed and Feed Lifting Eccentric
435	Take-up Hinge Pin Set Screw	3094	Take-up Crank Wedge	24962	Shuttle Race Body, complete	139719	Feed Forked Connection
443	Arm Shaft Bushing Set Screw	4307	Shuttle Race Slide Spring	29633	Feed Rock Shaft Crank	139725	Machine Pulley, (Disc)
443	Arm Shaft Bushing (front) Set Screw	4784	Oscillating Rock Shaft Oil Pad	32574	Tension Releasing Pin	139727	Needle Bar
443	Arm Shaft Bushing (back) Set Screw	5596	Foot Lifter Bell Crank	43944	Tension Releasing Lever	139729	Needle Bar Bushing (lower)
446	Feed and Feed Lifting Set Screw	5596	Knee Lifter Bell Crank	43946	Thread Take-up Spring	139730	Needle Bar Bushing (upper)
446	Feed Eccentric Set Screw	5598	Foot Lifter Bell Crank, complete	43976	Feed Lifting Rock Shaft Connecting Rod	139734	Needle Bar Crank
448	Feed Regulator Hinge Stud Set Screw	5598	Knee Lifter Bell Crank, complete	43977	Connecting Rod Cap	139735	Oscillating Rock Shaft
448	Lifting Lever Pin Set Screw	5599	Foot Lifter Bracket	44013	Oscillating Shaft	139736	Oscillating Rock Shaft, complete
448	Rock Shaft Pin Set Screw	5599	Knee Lifter Bracket	44125	Feed Lifting Rock Shaft	139738	Tension, complete
448	Take-up Spring Set Screw	5601	Foot Lifter Hinge Pin	44126	Feed Lifting Rock Shaft, complete	139740	Thread Take-up Lever
453	Presser Bar Guide Set Screw	5601	Knee Lifter Hinge Pin	44141	Tension Screw Stud with Nut	139741	Thread Take-up Lever Link
457	Oscillating Shaft Crank Set Screw	5735	Foot Lifter Spring	45874	Face Plate Thread Guard (upper)	139742	Thread Take-up Lever Bushing
624	Feed Reversing Lever Set Screw	5735	Knee Lifter Spring	50193	Feed Regulating Head Cap Screw	139754	Feed Regulator
624	Thread Retainer Set Screw	7336	Take-up Spring Regulator	50200	Connecting Link Stud Set Screw	139765	Needle Bar Connecting Stud
665	Needle Bar Thread Guard Screw	8879	Arm Spool Pin Washer	50338	Feed Regulating Stud	139766	Thread Take-up Lever Guard
688	Pressure Regulating Thumb Screw	11167	Presser Bar Spring (light)	50591	Feed Reversing Lever Screw	139767	Face Plate Thread Guard (lower)
689	Presser Bar Lifter Screw	11170	Presser Bar Spring Washer	51224	Face Plate Thumb Screw	140119	Needle Clamp Screw
690	Take-up Crank Wedge Screw	12144	Presser Foot	51282	Shuttle Race Slide Spring Screw	143327	Needle Bar Thread Guard
691	Throat Plate Screw	12152	Face Plate Thread Guard Rivet	51354	Face Plate Screw	143328	Needle Clamp
766	Lifting Lever Link Hinge Screw	12237	Lifting Lever	52016	Presser Bar Lifter	147151	Tension Releasing Disc
775	Take-up Lever Cap Screw	12240	Lifting Lever Pin	52023	Take-up Lever Hinge Pin	147152	Tension Spring
794	Needle Bar Link Adjusting Screw	12241	Lifting Lever Link	52045	Arm Oil Tube Packing	149304	Feed Dog
802	Lifting Lever Hinge Screw	12327	Presser Bar Lifting and Releasing Bracket	52073	Feed Connecting Link Stud	166024	Take-up Lever Hinge Pin
896	Connecting Rod Cap Screw	12329	Tension Releasing Lever Spring	52165	Feed Connecting Link	166036	Feed Regulator Hinge Stud
907	Shuttle Race Back Spring Screw	12368	Feed Bar	52184	Arm Oil Tube Packing (wick)	174035	Feed Regulator Spring
908	Connecting Rod Hinge Screw	12376	Feed Lifting Rock Shaft Crank	52239	Arm Spool Pin	174036	Feed Regulator Spring Bracket
966	Feed Lifting Rock Shaft Cap Screw	12379	Feed Rock Shaft	52454	Thread Retainer	174037	Feed Reversing Lever
988	Oscillating Shaft Screw Stud	12382	Needle Bar Connecting Link	56032	Feed Regulating Stud Head	174039	Feed Reversing Lever Connection
1065	Needle Bar Crank Position Screw	12388	Oscillating Rock Shaft Hinge Pin	56033	Feed Regulating Stud Stop Pin	200575	Feed Reversing Lever Handle Screw
1133	Needle Bar Bushing (lower) Set Screw	12389	Oscillating Shaft	56034	Feed Regulating Stud Lock Pin	201529	Feed Reversing Lever Screw Nut
		12391	Presser Bar	56035	Feed Regulating Lock Pin Spring	276159	Feed Reversing Lever Hinge Pin
						276160	Feed Reversing Lever Handle

