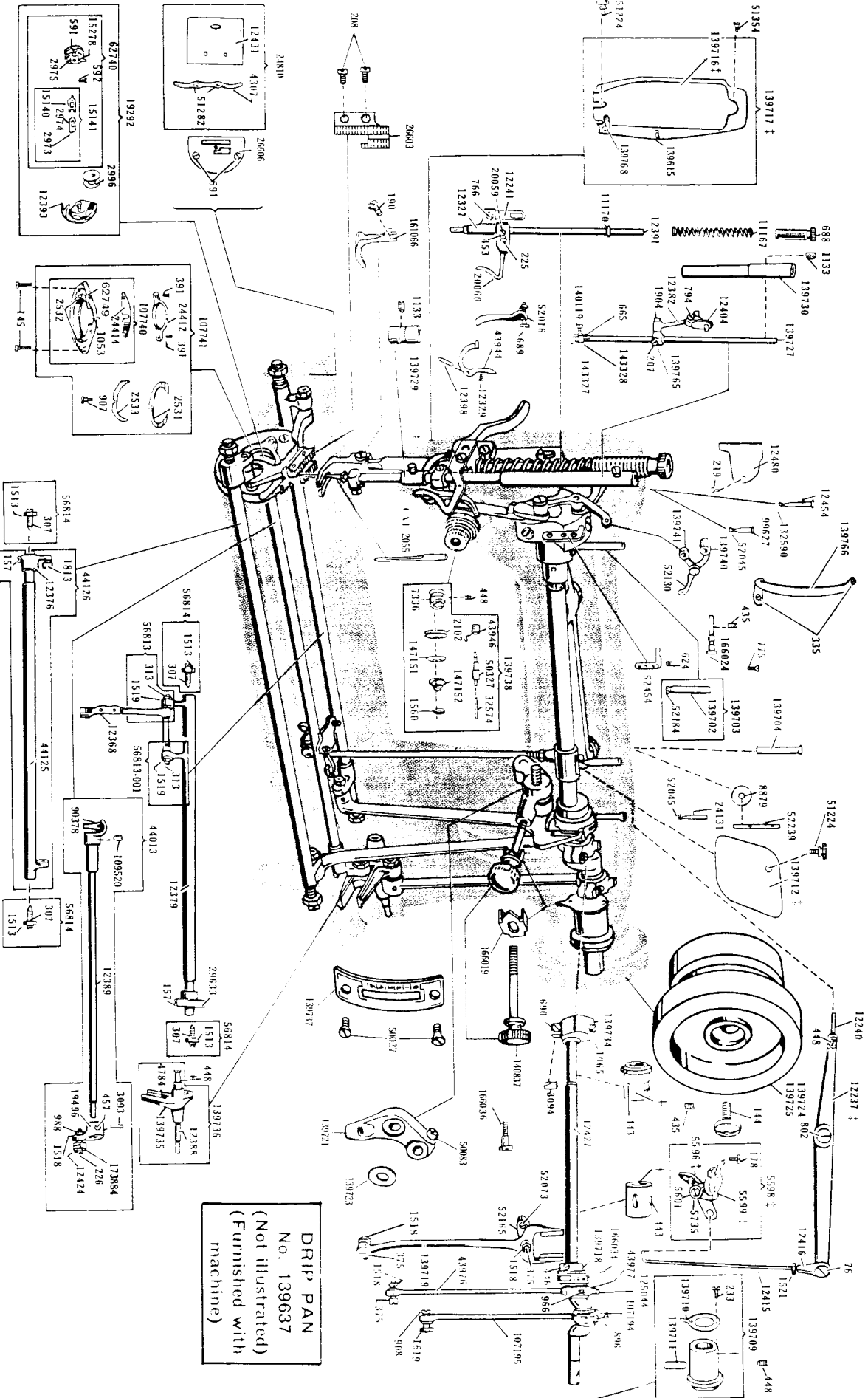


SINGER* 331K1/K101



* A Trademark of THE SINGER COMPANY
 © 1973 by The Singer Company (U.S.) Limited
 All rights reserved throughout the world



DRIP PAN
 No. 139637
 (Not illustrated)
 (Furnished with machine)

Printed in Great Britain

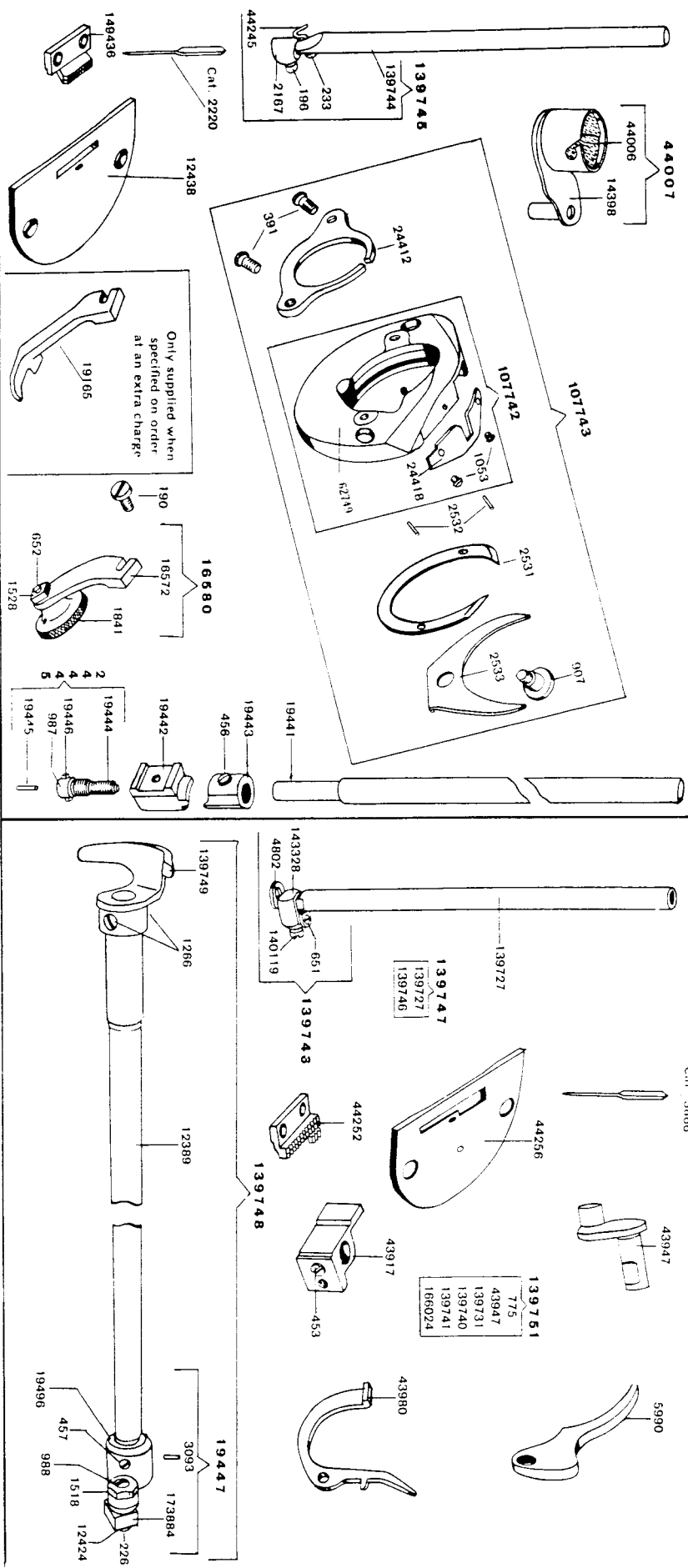
For replacement parts marked † for 331K101/K102/K103 machines add suffix '-451' after part number.

†Not Supplied to Agencies

Parts for 331K2/K102 M/cs which differ from 331K1/K101 M/cs

Parts for 331K3/K103 M/cs which differ from 331K1/K101 M/cs

Call 3866



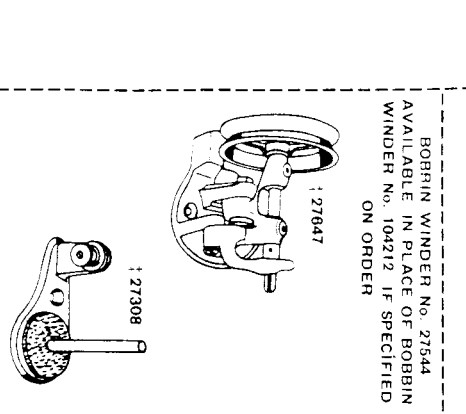
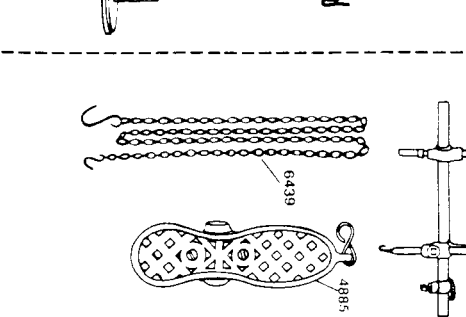
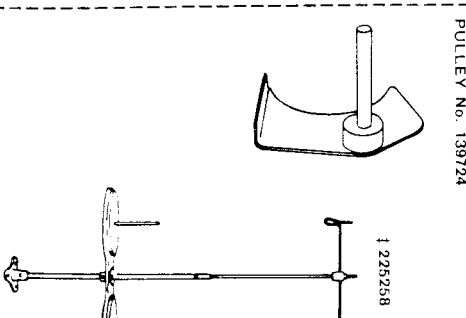
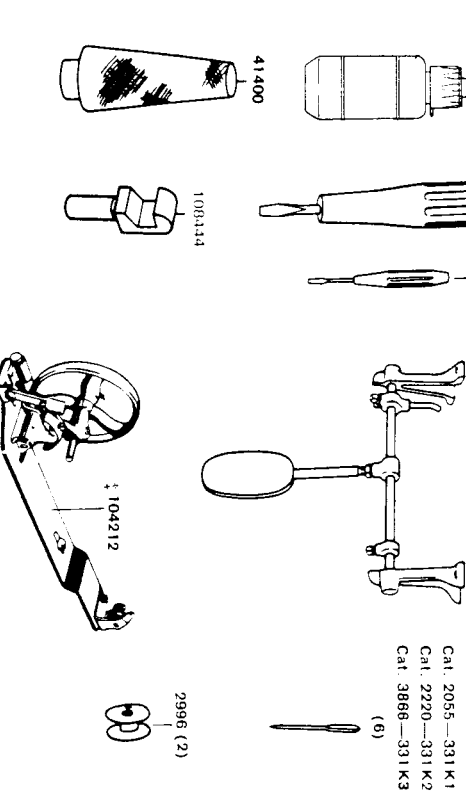
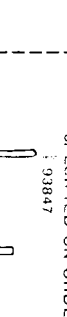
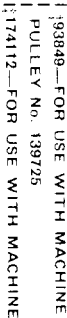
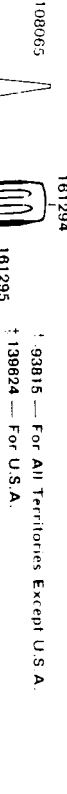
Accessories for 331K1, 331K2 and 331K3 Machines

SUPPLIED WITH MACHINE

AVAILABLE AT NO EXTRA CHARGE IF SPECIFIED ON ORDER

FOOT LIFTER No. 93847 AVAILABLE IN PLACE OF KNEE LIFTER No. 93817 IF SPECIFIED ON ORDER

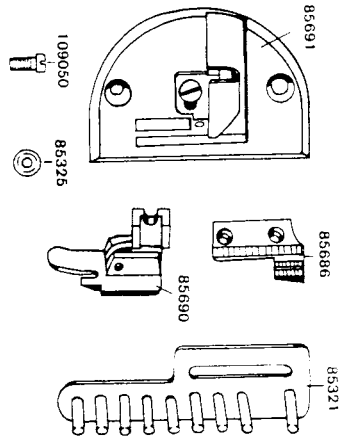
AVAILABLE AT AN EXTRA CHARGE IF SPECIFIED ON ORDER



For replacement parts marked † for 331K101/K102/K103 machines add suffix '-451' after part number.

BINDER—FOR GENERAL WORK
85692

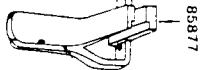
(See Tabulation Below for Gauges Available)



GAUGES AVAILABLE

85692-018	9/32"	85692-040	5/8"
85692-024	3/8"	85692-044	11/16"
85692-028	7/16"	85692-048	3/4"
85692-030	15/32"	85692-052	13/16"
85692-032	1/2"	85692-056	7/8"
85692-036	9/16"	85692-100	1"

CHORDER GUIDE
(Adjustable)



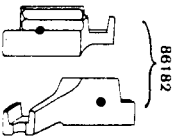
85877

CORDING AND HEMMING FOOT



85881

CORDING FOOT
(Grooved on Right Side)



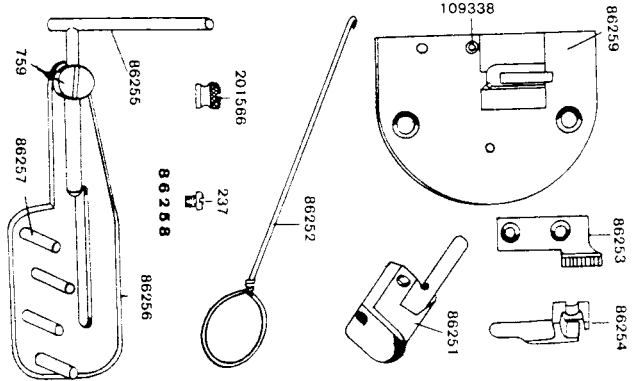
86182

GAUGES AVAILABLE

86182-008	1/8"
86182-012	3/16"

ATTACHMENTS FOR SEPARATE PURCHASE
AVAILABLE FOR 33IKI/K101 MACHINES
CORD COVERING ATTACHMENT
86260

(See Tabulation Below for Gauges Available)

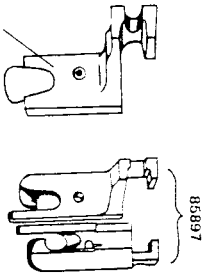


GAUGES AVAILABLE

86259	5/8"
86253	11/16"
86254	3/4"
86251	13/16"
86252	7/8"
237	1"
201566	1 1/4"
86255	1 1/2"
86257	1 3/4"

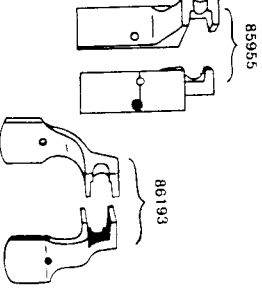
WHEN ORDERING STATE SIZE OF CORD

FELLING FEET



85896
85897-008 1/8"
85897-012 3/16"
85897-018 9/32"

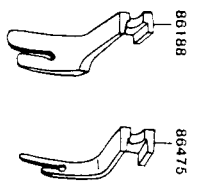
GATHERING FEET



85955

86193

PRESSER FEET

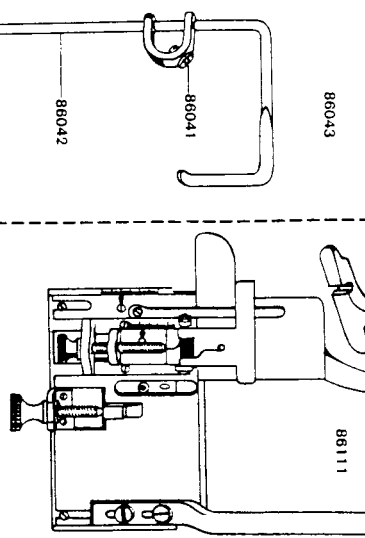


86188

86475

FOR NARROW TUCKING
FOR GENERAL WORK

QUILTER

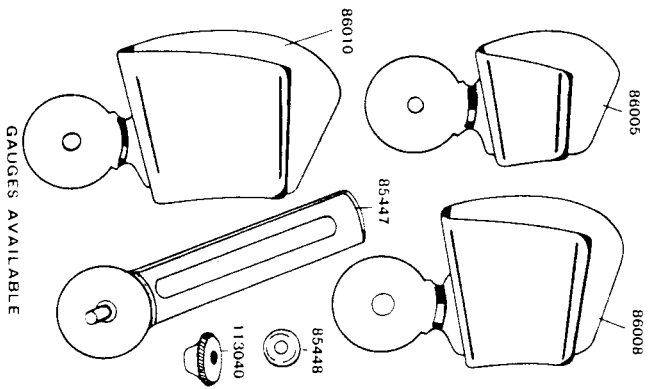


TUCK FOLDING ATTACHMENT
(ADJUSTABLE)
86120

85866

85864

86111

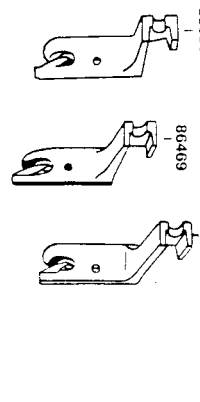


86005
86008
85447
86010
85448
113040

GAUGES AVAILABLE

86005-008	1/8"	86005-040	5/8"
86005-012	3/16"	86005-044	11/16"
86005-014	7/32"	86005-048	3/4"
86005-016	1/4"	86005-056	7/8"
86005-018	9/32"	86008-100	1"
86005-020	5/16"	86008-108	1-1/8"
86005-022	11/32"	86008-112	1-3/16"
86005-024	3/8"	86008-116	1-1/4"
86005-028	7/16"	86010-124	1-3/8"
86005-032	1/2"	86010-126	1-3/32"
86005-036	9/16"	86010-200	2"

HEMMER FEET

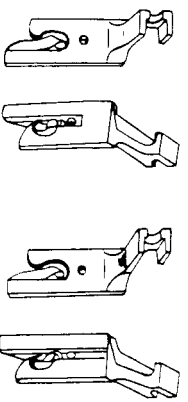


86025

86489

86406

FLAT SOLE
TYPE HEMMER FOOT



86025

86489

86406

GAUGES AVAILABLE

86025-004	1/16"	86469-006	3/32"	86644	1/16"	
86025-006	3/32"	86469-008	1/8"	86645-006	3/32"	
86025-008	1/8"	FLAT SOLE TYPE			86645-012	3/16"
86025-010	5/32"	86637	1/16"	86646	1/8"	
86025-012	3/16"	86638	3/32"	86647-006	3/32"	
86025-014	7/32"	86639-004	1/16"	86647-010	3/32"	
86025-016	1/4"	86639-008	1/8"	86647-040	5/8"	
86025-018	9/32"	86540	3/16"	86648	3/16"	
86025-024	3/8"	86542	7/32"	86649	7/32"	
86466-004	1/16"	86543	1/4"	86650	1/4"	
86466-006	3/32"					
86466-008	1/8"					
86466-010	5/32"					
86466-012	3/16"					
86466-014	7/32"					
86466-016	1/4"					
86466-018	9/32"					

Numerical List of Parts for 331K2/K102 Machines
which differ from 331K1/K101 Machines

NUMERICAL LIST OF ACCESSORIES

<u>PART NO.</u>	<u>DESCRIPTION</u>	<u>PART NO.</u>	<u>DESCRIPTION</u>
190(809)	Roller Presser Screw.	Tool 293	Belt Guard Screw Key (only supplied if specified on order and at an extra charge).
196(806)	Needle Clamp Screw.		Shuttle Bobbin.
233(809)	Needle Bar Thread Guard Screw.	2996	Foot Lifter Treadle complete.
386(804)	Roller Screw for 1911 and 1912 (not illustrated).	* 4885	Foot Lifter Chain.
388(804)	Roller Screw for 51801 and 51802 (not illustrated).	* 6439	Bobbin Winder (swinging automatic, right hand) complete (not illustrated).
		‡ **27544	Machine Rest Pin (wood).
456(830)	Roller Arm Bracket Position Collar Set Screw.		Oiler.
652(804)	Roller Screw for 1841 and 1868.	41400	Knee Lifter Rock Shaft complete, for all territories except U.S.A.
987(805)	Roller Arm Bracket Screw Stud.	86720	Foot Lifter Rock Shaft complete.
1528(809)	Roller Screw Nut for 1841, 1868, 1911 and 1912.	‡ 93815	Belt Guard complete, for use with Machine Pulley No.139725 (only supplied if specified on order at no extra charge).
1550(809)	Roller Screw Nut for 51801 and 51802 (not illustrated).	‡ * 93846	Bobbin Winder (universal) complete.
1841	Roller, $\frac{3}{8}$ " diam. (fine) with 652 (804) and 1528(809) for 16580.	‡ 93849	Machine Hinge Connection
1868	Roller, $\frac{3}{8}$ " diam. (coarse), with 652(804) and 1528(809) for 16579 (not illustrated).	‡ 104212	Knee Lifter Rock Shaft complete, for U.S.A.
1911	Roller, $1\frac{1}{4}$ " diam. (coarse), with 386(804) and 1528(809) for 16581 (not illustrated).	108444	Screw Driver (machine).
1912	Roller, $1\frac{1}{4}$ " diam. (fine), with 386(804) and 1528(809) for 16582 (not illustrated).	‡ 139624	Screw Driver (shuttle tension).
2167	Needle Clamp with 196(806).	161294	Belt Guard complete, for use with Machine Pulley No.139724 (only supplied if specified on order at no extra charge).
12438	Throat Plate (large oblong needle hole).	161295	
14398	Oil Cup.	‡ 174112	
16572	Roller Arm for 16579 and 16580.		
16573	Roller Arm for 16581 and 16582 (not illustrated).		* Supplied in place of Knee Lifter if specified on order.
* 16579	Roller Presser, $\frac{5}{8}$ " coarse roller, complete Nos. 1868 and 16572 (not illustrated).		** Supplied in place of Bobbin Winder No.104212 if specified on order.
16580	Roller Presser, $\frac{3}{8}$ " fine roller, complete Nos.1841 and 16572 supplied with machine unless otherwise specified on order.		
* 16581	Roller Presser, $1\frac{1}{4}$ " coarse roller, complete, Nos. 1911 and 16573 (not illustrated).		
* 16582	Roller Presser, $1\frac{1}{4}$ " fine roller, complete, Nos. 1912 and 16573 (not illustrated).		
19165	Presser Foot (only supplied with this machine when specified on order and at an extra charge).		
19441	Presser Bar (hollow).		
19442	Roller Arm Bracket.	85686	Feed Dog.
19443	Roller Arm Bracket Position Collar with 456(830).	85320	Folder.
19444	Roller Arm Bracket Spring.	109050(804)	Folder Screw.
19445	Roller Arm Bracket Spring Pin.	35325	Folder Screw Washer.
19446	Roller Arm Bracket Spring Stud.	35687	Presser Foot Bracket.
19464	Presser Bar, complete, Nos.190(809), 19441 to 19443 and 24445.	85688	Presser Foot Bracket Hinge Pin.
24418	Shuttle Race Cap.	85689	Presser Foot Sole.
24445	Roller Arm Bracket Spring Stud, complete, Nos. 987(805), 19444 and 19446.	85690	Presser Foot (hinged), Complete, Nos.85687 to 85689.
24903	Roller Arm for 24904 and 24905 (not illustrated).	85324	Tape Tension Pin (bent).
* 24904	Roller Presser, 9/16" coarse roller, complete, Nos.24903 and 51801 (not illustrated).	85323	Tape Tension Pin (straight).
* 24905	Roller Presser, 9/16" fine roller, complete, Nos. 24903 and 51802 (not illustrated).	85322	Tape Tension Plate.
44006	Oil Cup Packing (felt).	85321	Tape Tension, Complete, Nos.85322, 85324 and eight 85323.
44007	Oil Cup, complete, Nos. 14398 and 44006.	109050(804)	Tape Tension Screw.
44245	Needle Bar Thread Guard.	85325	Tape Tension Screw Washer.
* 51801	Roller, 9/16" diam. (coarse), with 388(804) and 1550(809) (not illustrated).	85691	Throat Plate.
* 51802	Roller, 9/16" diam. (fine), with 388(804) and 1550(809) (not illustrated).	+ 85692	Binder Complete, Nos.85320, 85321, 85686, 85690, 85691, two each 85325 and 109050(804).
107742	Shuttle Race Body 62749 with 24418 and two 1053(804).		* Refer illustrated side of Chart for Gauges available.
107743	Shuttle Race, complete, nos. 907(804) 2531, 2533, 24412, 107742, two each 391(813) and 2532		
139744	Needle Bar (hollow).		
139745	Needle Bar 139744 with 233(809), 2167 and 44245.		
149436	Feed Dog, 11 teeth (18 teeth to the inch).		
	* Only supplied in place of Roller Presser No.16580 if specified on order.	85881	Cording and Hemming Foot.

BINDER - FOR GENERAL WORK

CORDER GUIDE
(Adjustable)

Numerical List of Parts for 331K3/K103 Machines
which differ from 331K1/K101 Machines

651(804)	Needle Bar Thread Guide Screw.		
4802	Needle Bar Thread Guide.		
5990	Presser Bar Lifter.		
43917	Presser Bar Guide Bracket with 453(830).		
43947	Thread Take-up Crank.		
43980	Tension Releasing Lever.		
44252	Feed Dog, for Cloth, 12 teeth (12 teeth to the inch).		
44256	Throat Plate (large needle hole).		
139746	Needle Bar 139737 with 139747.		
139747	Needle Clamp, complete, Nos.651(804), 4802 and 143328.		
139748	Oscillating Shaft 12389 with 19447 and 139749.		
139749	Shuttle Driver with two 1265(803).		
139751	Thread Take-up, complete, Nos.775(805), 43947, 139731, 139740, 139741 and 166024.		
		86182-008	$\frac{1}{2}$ " Cording Foot (grooved on right side).
		86182-012	$\frac{3}{16}$ "
			<u>CORD COVERING ATTACHMENT</u>
		* 86251	Cord Guide and Strip Folder.
		237(806)	Cord Guide and Strip Folder Screw.
		86252	Cord Wire.
		* 86253	Feed Dog.
		86254	Presser Foot.
		86256	Tension Base Plate.
		86257	Tension Base Plate Pin.
		86255	Tension Guide (adjustable).
		759(802)	Tension Guide Thumb Screw.
		86258	Tension Complete, Nos.759(802), 86255, 86256 and four 86257.
		86259	Throat Plate with 109338(804).
		109338(804)	Throat Plate Screw Stud.

For replacement parts marked ‡ for 331K101/K102/K103 machines add suffix '-451' after part number

NUMERICAL LIST OF PARTS FOR 331K1/K101 MACHINES

Part No.	Description	Part No.	Description
76(819)	Knee or Foot Lifter Lifting Lever Connecting Rod Joint Hinge Screw	19496	Oscillating Shaft Crank
144(803)	Arm Shaft Screw	20059	Presser Bar Guide Bracket with 453(830)
145(805)	Shuttle Race Screw	20060	Slack Thread Regulator
157(813)	Feed Lifting Rock Shaft Crank Clamping Screw		109784(805)
157(813)	Feed Rock Shaft Crank Clamping Screw	NOTE:-	Part No. 20198 cannot be supplied individually. Orders must specify No. 20197.
178(805)	Knee or Foot Lifter Bell Crank Bracket Screw	24131	Arm Oil Tube with 52045
180(809)	Presser Foot Screw	24412	Shuttle Bobbin Case Position Plate
207(805)	Feed Bar Connecting Stud Clamping Screw	24414	Shuttle Race Cap
208(830)	Needle Bar Screw		24412, 24962 and two 391(813)
219(809)	Arm Side Cap Screw	24810	Shuttle Race Slide complete, nos. 4307, 12431(819) and two 51282 (809)
225(806)	Slack Thread Regulator Adjusting Screw	26603	Feed Jog
226(804)	Oscillating Shaft Crank Slide Block Cap Screw	26606(850)	Thread Plate (small needle hole)
233(805)	Arm Shaft Flanged Bushing (back) Oil Drip Screw	29611	Feed Rock Shaft Crank with 157(813)
307(803)	Feed Lifting Rock Shaft Screw Centre	33574	Tension Releasing Pin
307(803)	Feed Rock Shaft Screw Centre	43942	Tension Releasing Lever
313(803)	Feed Bar Screw Centre	43946	Thread Take-up Spring
335(813)	Thread Take-up Lever Guard Screw	43976	Feed Lifting Rock Shaft Crank Connecting Rod with 43977, 125044 and two 966(805)
375(803)	Feed Connecting Link Hinge Screw	43977	Feed Lifting Rock Shaft Crank Connecting Rod Cap Part No. 43977 cannot be supplied individually. Orders must specify No. 43976
375(803)	Feed Forked Connection Hinge Screw	NOTE:-	44013
375(803)	Feed Lifting Rock Shaft Crank Connecting Rod Hinge Screw	44125	Oscillating Shaft 12389 with 12444 and 19447
391(813)	Shuttle Bobbin Case Position Plate Screw	44126	Feed Lifting Rock Shaft
435(830)	Thread Take-up Lever Link Hinge Pin Set Screw	44141	Feed Lifting Rock Shaft complete, Nos. 12376 and 44125
443(830)	Arm Shaft Bushing (front) Set Screw		Tension Screw Stud 50327(803) with 1560(803) (for Agents only)
443(830)	Arm Shaft Bushing (intermediate) Set Screw	50027(819)	Stitch Indicator Plate Screw
446(830)	Feed and Feed Lifting Eccentric Set Screw	50083(830)	Feed Connecting Link Hinge Stud Set Screw
448(830)	Arm Shaft Flanged Bushing (back) Lever Pin Set Screw	50327(803)	Tension Screw Stud
448(830)	Knee or Foot Lifter Lifting Lever Pin Set Screw	NOTE:-	Part No. 50327 cannot be supplied individually. Orders must specify No. 44141
448(830)	Oscillating Rock Shaft Hinge Pin Set Screw	51224(818)	Face Plate Thumb Screw
448(830)	Thread Take-up Spring Regulator Pin Set Screw	51224(819)	Arm Side Lower Thumb Screw
458(830)	Presser Bar Guide Bracket Set Screw	51282(809)	Shuttle Race Slide Spring Screw
457(830)	Oscillating Shaft Crank Set Screw	51283(830)	Machine Pulley Set Screw
491(806)	Shuttle Tension Regulating Screw	51354(803)	Face Plate Screw
492(805)	Shuttle Bobbin Case Latch Stop Screw	52316	Presser Bar Lifter
624(830)	Thread Retainer Set Screw	52045	Arm Oil Tube Packing (braided cotton)
665(809)	Needle Bar Thread Guard Screw	52070	Feed Connecting Link Hinge Stud
688(809)	Pressure Regulating Thumb Screw	57137	Thread Take-up Lever Thread Flange Bushing
688(803)	Presser Bar Lifter Screw	52145	Feed Connecting Link
690(805)	Thread Take-up Crank Wedge Screw	52148	Arm Oil Tube Packing (back)
691(850)	Thread Plate Screw	52154	Arm Spool Pin and Thread Inlet
766(804)	Knee or Foot Lifter Lifting Lever Link Hinge Screw	52154	Thread Retainer
775(805)	Thread Take-up Lever Cap Screw	56813(801)	Feed Bar Screw Centre 313(803) with 1519(809)
794(805)	Needle Bar Connecting Link Adjusting Screw	56814	Feed Lifting Rock Shaft Screw Centre 307(803)
802(819)	Knee or Foot Lifter Lifting Lever Hinge Screw	67749	Feed Lifting Rock Shaft Screw Centre 307(803) with 1519(809)
896(805)	Crank Connecting Rod Cap Screw		Feed Rock Shaft Screw Centre 307(803) with 1519(809)
907(804)	Shuttle Race Back Spring Screw	67749	Shuttle Bobbin Case with 191(806), 592(803), 2975, 12514 and 12178
908(803)	Crank Connecting Rod Hinge Screw	67749	Shuttle Race Body
966(805)	Feed Lifting Rock Shaft Crank Connecting Rod Cap Screw	67749	Shuttle Driver with two 109520(803) (for Agents only)
988(803)	Oscillating Shaft Crank Slide Block Screw Stud	90378	Arm Oil Tube with 52045
1053(804)	Shuttle Race Cap Screw	99627	Machine Pulley (disc) 'V' belt groove (diam. of belt groove 3.5") with two 51283(830)
1065(830)	Needle Bar Crank Position Screw	97178	
1133(830)	Needle Bar Bushing (lower) Set Screw	107194	Crank Connecting Rod Oil Pad (felt)
1133(830)	Needle Bar Bushing (upper) Set Screw	107195	Crank Connecting Rod with 107194 and two 866(804) Shuttle Race Face Body 50748 with 12444, two gear 1095(804) and 2992
1513(809)	Feed Lifting Rock Shaft Screw Centre Nut	107741	Shuttle Race complete nos. 407(801), 7631, 2633, 24412, 107740 and two 391(813)
1513(809)	Feed Rock Shaft Screw Centre Nut	109520(803)	Shuttle Driver Set Screw
1518(805)	Feed Connecting Link Hinge Screw Nut	125044	Feed Lifting Rock Shaft Crank Connecting Rod Oil Pad (felt)
1518(809)	Feed Forked Connection Hinge Screw Nut	132590	Arm Oil Tube Packing (braided cotton)
1518(809)	Feed Lifting Rock Shaft Crank Connecting Rod Hinge Screw Nut	13945	Face Plate Thread Guard (upper) complete, (for Agents only)
1518(809)	Oscillating Shaft Crank Slide Block Screw Stud Nut	139702	Arm Oil Tube
1521(805)	Knee or Foot Lifter Lifting Lever Connecting Rod Lock Nut	139710	Arm Oil Tube 139710 with 52184
1560(803)	Tension Regulating Thumb Nut	139704	Arm Oil Tube
NOTE:-	Part No. 1560 cannot be supplied individually. Orders must specify No. 44141.	*	Arm Shaft Bushing (front)
1619(805)	Crank Connecting Rod Hinge Screw Nut	*	Arm Shaft Bushing (intermediate)
1810	Feed Lifting Rock Shaft Crank Roller and Stud	*	Arm Shaft Flanged Bushing (back)
1904	Needle Bar Connecting Stud Roller (Roller only)	139709	Arm Shaft Flanged Bushing (back) with 233(805), 139710 and 139711
2102	Tension Disc	139710	Arm Shaft Flanged Bushing (back) Oil Drip
2511	Shuttle Race Back	139711	Arm Shaft Flanged Bushing (back) Oil Pad
2512	Shuttle Race Back Position Pin	139712	Arm Side Cover
2513	Shuttle Race Back Spring	139716	Face Plate
2973	Shuttle Bobbin Case Latch Lever	139716	Face Plate complete, Nos. 139715, 139716 and 139756
2974	Shuttle Bobbin Case Latch Lever Fulcrum Pin	139718	Feed and Feed Lifting Eccentric with 446(830)
2977	Shuttle Bobbin Case Latch Spring	139719	Feed Forked Connection
2994	Shuttle Bobbin	139721	Feed Regulator with 30461(803)
3093	Oscillating Shaft Crank Pin	139722	Feed Regulator Hinge Screw Friction Washer
3094	Thread Take-up Crank Wedge	139725	Machine Pulley (disc, heavy rim) 'V' belt groove (diam. of belt groove 2.9") with two 51283(830)
4307	Shuttle Race Slide Spring	139727	Needle Bar (lower)
4784	Oscillating Rock Shaft Oil Pad	139729	Needle Bar Bushing (lower)
5356	Knee or Foot Lifter Bell Crank	139730	Needle Bar Bushing (upper)
5398	Knee or Foot Lifter Bell Crank 359h with 2599, 3601 and 3735	139734	Needle Bar Crank with 1065(830)
5599	Knee or Foot Lifter Bell Crank Bracket	139735	Oscillating Rock Shaft
561	Knee or Foot Lifter Bell Crank Hinge Pin	139736	Oscillating Rock Shaft complete, Nos. 4784, 12389 and 12975
5735	Knee or Foot Lifter Bell Crank Spring	139737	Stitch Indicator Plate
7336	Thread Take-up Spring Regulator	139738	Tension, complete, Nos. 7336, 10574, 43946, 44141, 147191, 14715, and two 2102
8879	Arm Spool Pin Washer (felt)	139740	Thread Take-up Lever with 139742
11147	Presser Bar Spring (light)	139741	Thread Take-up Lever Link
11170	Presser Bar Spring Washer	139745	Needle Bar Connecting Stud with 207(803)
12237	Knee or Foot Lifter Lifting Lever with 448(830)	139766	Thread Take-up Lever Guard
12240	Knee or Foot Lifter Lifting Lever Pin	139768	Face Plate Thread Guard (lower) complete (for Agents only)
12241	Knee or Foot Lifter Lifting Lever Link	140117(830)	Needle Clamp Forew
12327	Presser Bar Lifting and Releasing Lever Bracket	14037(818)	Feed Regulator Thumb Screw
12329	Tension Releasing Lever Spring	14347	Needle Bar Thread Guard
12344	Feed Bar	14348	Needle Clamp with 140119(830)
12376	Feed Lifting Rock Shaft Crank with 157(813) and 1813	147151	Tension Releasing Disc
12379	Feed Rock Shaft	147152	Tension Spring
12388	Needle Bar Connecting Link with 794(805)	14719	Presser Foot (spring pinned), complete
12389	Oscillating Rock Shaft Hinge Pin	14724	Stitch Indicator
12390	Oscillating Shaft	14724	Thread Take-up Lever Link Hinge Pin
12391	Presser Bar (lower)	14734	Feed and Feed Lifting Eccentric with 446(830)
12392	Shuttle Body	14735	Feed Regulator Hinge Screw
12399	Tension Releasing Lever Hinge Pin	17385	Oscillating Shaft Crank Slide Block
12404	Thread Take-up Crank		
12415	Knee or Foot Lifter Lifting Lever Connecting Rod		
12415(811)	Knee or Foot Lifter Lifting Lever Connecting Rod Joint		
1242	Oscillating Shaft Crank Slide Block Cap Screw Washer		
12427	Arm Shaft		
12431(811)	Shuttle Race Slide		
12434	Arm Oil Tube with 132590		
12436	Arm Side Cap		
12439	Shuttle Bobbin Case Latch		
15121	Shuttle Bobbin Case Hinge Nos. 1973, 2974 and 15140		
15124	Shuttle Tension Spring		
19292	Shuttle, 1-11/16" Dia., complete, Nos. 2996, 12399 and 62740		
		*	Not supplied to Agencies.

For replacement parts marked * for 331K101/K102/K103 machines add suffix '-451' after part number

<u>PART NO.</u>	<u>DESCRIPTION</u>
201566	Throat Plate Screw Stud Thumb Nut.
* 86260	Cord Covering Attachment, complete Nos. 227(806), 86251 to 86254, 86258, 86259 and 201566.
* In ordering state size of Cord.	

FELLING FEET

85896	Felling Foot 3/16" fell.
85897-008 1/8"	Felling Foot (steel).
85897-012 3/16"	
85897-018 9/32"	

GATHERING FEET

85955	Gathering Foot.
86193	Gathering Foot (slotted).

HEMMERS

* 86005	Hemmer.
* 86008	Hemmer.
* 86010	Hemmer.
85447	Base with 109054(805).
109054(805)	Base Stud Screw.
113040(804)	Base Stud Screw Thumb Nut.
85448	Base Stud Screw Thumb Nut Washer.
85446	Hemmer Base, complete, Nos. 85447, 85448 and 113040(804) for use with 86005, 86008 and 86010.

* Refer illustrated side of Chart for gauges available.

HEMMEE FEET

* 86025	Hemmer Foot.
* 86466	Hemmer Foot for Silk.
* 86469	Hemmer Foot for Umbrellas.
86537	Hemmer Foot 1/16" flat sole.
86538	Hemmer Foot 3/32" flat sole.
* 86539	Hemmer Foot flat sole.
86540	Hemmer Foot 5/32" flat sole.
86541	Hemmer Foot 3/16" flat sole.
86542	Hemmer Foot 7/32" flat sole.
86543	Hemmer Foot 1/4" flat sole.
86544	Hemmer Foot 1/16" flat sole with groove.
* 86545	Hemmer Foot flat sole with groove.
86546	Hemmer Foot 1/8" flat sole with groove.
* 86547	Hemmer Foot flat sole with groove.
86548	Hemmer Foot 3/16" flat sole with groove.
86549	Hemmer Foot 7/32" flat sole with groove.
86550	Hemmer Foot 1/4" flat sole with groove.

* Refer illustrated side of Chart for gauges available.

PRESSER FOOT

86188	Presser Foot (narrow) for Narrow Tucking.
86475	Presser Foot for General Work.

QUILTER

86041	Clamp with 207(804).
207(804)	Clamp Screw.
86042	Rod.
86043	Quilter, complete, Nos. 86041 and 86042.

TUCK FOLDING ATTACHMENT (Adjustable)

86097	Base (bottom).
86099	Base (top).
175(802)	Base Adjusting Screw.
86098	Base Bracket.
233(802)	Base Bracket Screw.
86100	Base Indicator.
240(802)	Base Indicator Screw.
109178(802)	Base Regulating Screw.
152(802)	Base Regulating Screw Bracket Screw.
1576(802)	Base Regulating Thumb Nut.
207(802)	Base Screw (to fasten to machine).
109050(802)	Base Screw.
86101	Tuck Folding Plate.
86102	Tuck Folding Plate Holder Bar.
162(802)	Tuck Folding Plate Holder Bar Binding Screw.
6312	Tuck Folding Plate Holder Bar Binding Screw Washer.
671(802)	Tuck Folding Plate Holder Bar Set Thumb Screw.
86174	Tuck Folding Plate Tension Spring.
240(802)	Tuck Folding Plate Tension Spring Screw.
86104	Tuck Spacing Guide.
109180(802)	Tuck Spacing Guide Hinge Screw.
113057(802)	Tuck Spacing Guide Hinge Screw Nut.
86105	Tuck Spacing Guide Spring.
86106	Tuck Spacing Guide Lifter.
86107	Tuck Spacing Guide Lifter Bracket.
104(802)	Tuck Spacing Guide Lifter Screw.
86108	Tuck Spacing Slide.
86109	Tuck Spacing Slide Base.
175(802)	Tuck Spacing Slide Base Binding Screw.
86100	Tuck Spacing Slide Indicator.
240(802)	Tuck Spacing Slide Indicator Screw.
109179(802)	Tuck Spacing Slide Regulating Thumb Screw.
86111	Tuck Folding Attachment only, Complete, Nos. 104(802), 152(802), 671(802), 1576(802), 86097 to 86099, 86101, 86102, 86104 to 86109, 86174, 109050(802), 109178(802), 109179(802), 109180(802), two each 162(802), 233(802), 6312, 86100, 113057(802), three 240(802), and four 175(802).
85864	Feed Dog.
86119	Presser Foot.
85866	Throat Plate.
86120	Tuck Folding Attachment, complete, Nos. 85864, 85866, 86111, and 86119.

**PARTS CHART
FOR
SINGER*
331K1/K101
331K2/K102
331K3/K103
MACHINES**