

Form 2233w
August, 1933
PRINTED IN U. S. A.

LIST OF PARTS



SINGER^{**}
MACHINE No. 36-4

THE SINGER MANUFACTURING COMPANY

**A Trade Mark of THE SINGER MANUFACTURING COMPANY

INSTRUCTIONS FOR OILING

To ensure easy running and prevent unnecessary wear of the parts which are in movable contact, the machine requires oiling and when in continuous use, "TYPE B" or "TYPE D" OIL, sold by Singer Sewing Machine Company, should be applied at least twice each day to all oil holes marked "OIL".

"TYPE D" OIL should be used when an oil is desired which will produce a minimum of stain on fabrics, even after a long period of storage.

INDEX

	PAGE
ACCESSORIES	13
BINDER	15
MACHINE NO. 36-4	7
NUMERICAL LIST OF PARTS	25
TRACK PARTS	16

INSTRUCTIONS FOR ORDERING

In ordering from this list, use ONLY the part NUMBER in the FIRST column.

The number stamped on a Sewing Machine Part is in every case the number of the single part only.

Every combination of parts sent out as such has its specific number, which, although not stamped on the parts, must be used when ordering the combination.

Each number always indicates the SAME PART in whatever list it appears, or for whatever machine.

The letters after some of the numbers indicate the style of finish only, as follows:

- A—Hardened, Polished, Nickel Plated and Buffed
- B—Polished, Nickel Plated and Buffed
- C—Hardened Only
- D—Polished Only
- E—Soft, Not Polished
- F—Hardened and Polished
- H—Blued
- J—Nickel Plated Only
- K—Hardened and Nickel Plated
- L—Brass Plated
- M—Oxidized
- N—Japanned, Dull
- P—Japanned, Bright
- R—Merlized
- T—Copper Plated
- T. A.—Hardened, Polished, Copper and Nickel Plated and Buffed
- T. B.—Copper and Nickel Plated and Polished
- T. J.—Copper and Nickel Plated Only
- T. K.—Hardened, Copper and Nickel Plated
- T. M.—Copper Plated and Oxidized
- T. L.—Copper and Brass Plated
- U—Zinc Plated
- V—Silver Plated
- W—Polished and Nickel Plated
- Y—Black Nickel Plated Only
- Z—Chromium Plated
- Z. B.—Polished, Nickel Plated, Buffed and Chromium Plated
- Z. J.—Nickel and Chromium Plated

These letters MUST BE USED when they appear in the list; and AFTER the number as in the list.

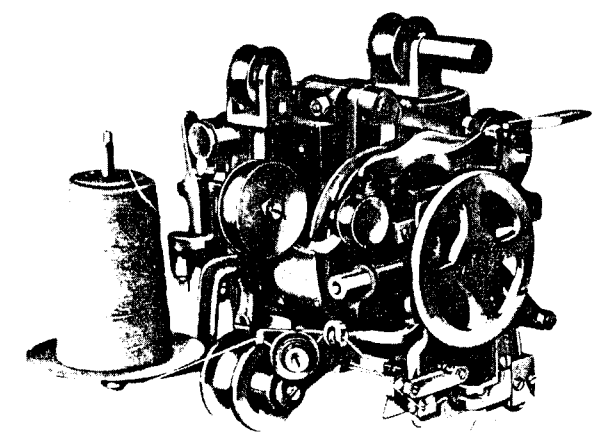
- In this series:
- 1 to 1500 and 50001 to 51500 are Screw Numbers
 - 1501 to 1800 and 51501 to 51800 are Nut Numbers
 - 1801 to 2000 and 51801 to 52000 are Roller Numbers
 - 2001 to 50000 and 52001 and upward are numbers of Machine Parts

The figures in the second column refer only to the plates, illustrating the parts, and are NOT TO BE USED in ordering.

Parts marked with an asterisk (*) are furnished only when repairs are made at factory.

LIST OF PARTS COMPLETE

FOR



MACHINE No. 36-4

POSITIVE FEED. LEVER DRIVEN NEEDLE SLIDE

FOR POWER. ON TRACK

For Seaming Medium and Heavy Weight
Carpets and Rugs

No.	Plate	Name
12924	1087	Driving Belt Guard
12925	1087	“ “ Roller (2)
191c	1058	“ “ “ Screw (2)
8800	1072	“ “ “ “ Washer ...
12502	1087	“ “ “ Support (left) with two 453c
12776	1087	Driving Belt Roller Support (right) with two 453c
453c	1058	Driving Belt Roller Support Set Screw
12914	1087	Driving Wheel
12915	---	Driving Wheel complete, Nos. 401E, 12514, 12515, 12517, 12518, 12759, 12914 and two 12516

Parts for Machine No. 36-4

No.	Plate	Name
12505	1087	Feed Disengaging Lever with 791c..
12506	1057	" " " Hinge Pin..
12507	1057	" " " Locking Pin
10195	1057	" " " " " "
		Spring
12508	1088	Feed Eccentric with 465c
12509	1057	" " Pin
465c	1058	" " Set Screw
12675	1088	" Guide
12895	1088	" " Stud (eccentric)
1229c	1088	" " " Set Screw
12510	1087	" Lever
729c	1059	" " Screw
12511	1088	" " Slide Block
12512	1088	" Point
791c	1059	" " Set Screw
*12916	—	Frame
12514	1087	Friction Wheel with 1143c
12515	1088	" " G1b
12516	1057	" " " Position Pin
12517	1088	" " Latch with 12519
12759	1057	" " " Spring
12518	1088	" " " Washer
12519	1057	" " " Pin
401E	1058	" " " Screw
3012	1057	" " Pin
1143c	1086	" " Set Screw
12520	1054	Grip Lever
12521	1088	" " Lock
12522	1088	" " " Bracket
172c	1058	" " " " Screw
208D	1058	" " " Clamping Screw
50252F	1088	" " " Regulating Screw
89c	1059	" " " Screw
12523	1057	" " " Spring
12524	1057	" " " " Hook
248A	1058	" " Set Screw
12689	1057	" " Spring
12525	1057	" " " Hook, for 12689
12526	1057	" " " " " 12523
12906	1094	Guide, to sew Heavy Axminster
12911	1094	" " " extra thick serged edge
12527	1093	" " " Brussels
12912	1094	" " " Saxony and Wilton
12910	1094	" " " Moquette (turned edge)
12873	1094	" " " Nap Axminster (coarse)
12909	1094	" " " Wilton
12876	1094	" " " " (for taking the fullness)

Parts for Machine No. 36-4

No.	Plate	Name
12847	1091	Guide Holder Body
12844	1088	" " Plate
1149c	1088	" " " Screw
134c	1058	" " " Screw
12848	—	Guide Holder complete, Nos. 212F, 1149c, 12844 and 12847
212F	1088	Guide Stop Screw
12536	1089	Hand Wheel
960B	1058	" " Screw (2)
12537	1088	Locking Cam with 465c
12538	1057	" " Pin
465c	1058	" " Set Screw
12539	1089	" Lever with 791c
12540	1088	" " Shaft Slide Block
12541	1088	" " Slide Block
12542	1090	" Point
791c	1058	" " Set Screw
12543	1090	Looper
*12849	—	" Bracket
146D	1058	" " Screw (2)
8554	1090	" " Steady Pin (2)
12545	1090	" Cam with 465c
12546	1057	" " Pin
465c	1058	" " Set Screw
12850	1089	" Lever with 193F
12870	1090	" " Strap
12549	1090	" " " Division Block (2)..
50252F	1088	" " " " " Screw (2)
12550	1057	Looper Position Point
233D	1058	" " " Screw
193F	1058	" Set Screw
12750	1054	" Thread Cone Center (wood)..
12756	1054	" " Spool Bracket
161D	1058	" " " Screw
12751	1054	" " " Clamping Disc
12871	1089	" " " Post, 5½ in. long..
1519E	1061	" " " " Nut
12749	1054	" " " Rest Disc
12557	1089	" " Tension Bracket
2269	1057	" " " " Position Pin
191c	1058	Looper Thread Tension Bracket Screw
2102	1090	Looper Thread Tension Disc (2) ...
1560c	1061	" " " Regulating Thumb Nut

Parts for Machine No. 36-4

No.	Plate	Name
2103	1057	Looper Thread Tension Spring
956c	1061	" " " Stud
1547j	1061	" " " " Lock Nut
12917	1089	Needle Cam with 448c
3012	1057	" " Pin
448c	1058	" " Set Screw
200f	1058	" Clamping Screw
12852	1090	" Guide
176f	1058	" " Screw
12918	1089	" Slide
12562	1089	" " Bar
447c	1058	" " " Set Screw
12869	1090	" " Gib
12565	1057	" " " Pin
12898	1089	" " Guide Block
132e	1090	" " " " Position Screw
350258f	1090	" " " " " " " "
201669d	1090	" " " " " " " "
		Nut (2)
12899	1090	Needle Slide Guide Block Stud
200d	1058	" " " " " " Set Screw
12919	1089	Needle Slide Lever with 1951
12920	1090	" " " Hinge Stud
448c	1058	" " " " " " Set Screw
12921	1090	Needle Slide Lever Link
64c	1090	" " " " Hinge Screw
1951	1090	" " " Roller and Screw Stud with 1518j
1518j	1090	Needle Slide Lever Roller and Screw Stud Nut
12750	1054	Needle Thread Cone Center (wood)
12566	1057	" " Guide
12757	1054	" " Spool Bracket
161d	1058	" " " " Screw
12751	1054	" " " Clamping Disc
12871	1089	" " " Post
1519e	1061	" " " " Nut
12749	1054	" " " Rest Disc
12922	1090	" " Take-up Block
792c	1058	" " " " Screw
12569	1090	" " " Eyelet
402d	1058	" " " " Screw
2102	1090	" " Tension Disc (2)
1560c	1061	" " " Regulating Thumb Nut

Parts for Machine No. 36-4

No.	Plate	Name
2103	1057	Needle Thread Tension Spring
956c	1061	" " " Stud
12855	1091	Piler
199d	1090	" Cap Screw
12857	1090	" Connecting Rod
12902	1086	" " " Guide (for use when piler is disconnected)
38c	1090	Piler Connecting Rod Hinge Screw (lower)
1330c	1090	Piler Connecting Rod Hinge Screw (upper)
12571	1092	Pull-off
190d	1058	" Screw
12572	1092	Return Belt Roller
45c	1059	" " " Screw
12573	1091	Roller (lower) (2)
12575	1092	" " Stud (left)
12858	1092	" " " (right)
1677c	1092	" " " " Nut
1513e	1092	" " " " Lock Nut
448c	1058	" " " Set Screw (2)
12576	1092	Safety Catch
12577	1092	" " Bracket
200f	1058	" " " Screw
12578	1057	" " Hinge Pin
12923	1091	Shaft
12859	1083	Spreader
12582	1092	" Cam with 465c
12546	1057	" " Pin
465c	1058	" " Set Screw
12860	1083	" Connecting Rod (rack)
12861	1083	" " " Plate
207e	1083	" " " " Screw (2)
176f	1058	Spreader Connecting Rod Screw
7071	1083	" " " " " " Washer
12862	1091	Spreader Lever
12863	1083	" " Cap
185u	1083	" " " Screw (2)
12864	1083	" Pinion
12865	1083	" " Cover
229d	1058	" " " Screw (2)
2269	1057	" " Pin
12585	1091	Starting Lever
2022	1092	" " Pin
12586	1092	" " Trip
12587	1057	" " " Hinge Pin
12588	1057	" " " Spring

Parts for Machine No. 36-4

No.	Plate	Name
12866	1091	Stop Lever
12590	1092	" " Friction Pad (rawhide) ..
335D	1058	" " " " Screw (2) ..
1331C	1092	" " Hinge Screw
1611E	1092	" " " " Nut
202F	1058	" " Regulating Screw
12592	1092	" " Spring
12867	1083	" " " Support Pin
12594	1092	Tripping Lever
12595	1092	" " Finger
12596	1057	" " " Hinge Pin
12597	1057	" " " Spring
236D	1058	" " " " Screw ..
826F	1059	" " Screw
12598	1057	" " Spring
193F	1058	" " Stop Screw
12599	1054	Yielding Fork (left)
12678	1054	" " " Roller
12603	1054	" " " " Stud
12677	1054	" " (right)
12601	1054	" " " Roller
12680	1054	" " " Spring
12679	1054	" " " " Stud
191C	1058	" " " " " Screw
8800	1072	" " " " " " "
		Washer
12602	1054	Yielding Fork Spring (2)

SINGER Needles should be used
in **SINGER** Machines
These Needles and their Containers
are marked with the
Company's Trade Mark "SIMANCO.***" 1

Needles in Containers marked
"FOR SINGER MACHINES"
are NOT **SINGER** made needles. 2

ACCESSORIES

No.	Plate	Name
12774	1057	Gauge, for 12512 and 12542
12527	1093	Guide, to sew Brussels
12873	1094	" " " Nap Axminster (coarse)
12876	1094	" " " Wilton (for taking the fullness)
12906	1094	Guide, to sew Heavy Axminster
12910	1094	" " " Moquette (turned edge)
12909	1094	" " " Wilton
12911	1094	" " " extra thick serged edge
12912	1094	" " " Saxony and Wilton ..
12543	1090	Looper
36 x 3	----	Needles, five, size 26
120346	1095	Oiler (copper plated) with 120347 ..
120347	1095	" Spout, 9 in. long
26346	1095	Pliers (4 in. flat nose)
11831	1095	Screw Driver (large)
*120091	----	" " Blade
*120090	----	" " Handle
26151	1095	Screw Driver, Nos. 120090 and 120091
255513	1095	Tweezers

FURNISHED WITH TRACK

8078	1095	Belt Awl
12669	1076	" Compressor Bracket
12670	1076	" " Lever
12671	1071	" " " Hinge Pin
12668	1076	Belt Compressor complete, Nos. 12669 to 12671 and three wood screws 1 in., No. 10
12763	1076	Clamp (stretching) Jaw (left)
12762	1076	" " " (right)
12761	1071	" " " Hinge Pin ..
12764	1076	" " Link
12765	1071	" " " Hinge Pin
12766	1071	" " Spring
12767	1071	" " " Hook, for 12762
12768	1071	" " " " " 12763
12672	----	" " Strap
12760	1076	" " " Eyelet
12761	1071	" " " " Hinge Pin

Accessories

No.	Plate	Name
12769	1076	Clamp (stretching) complete, Nos. 12760, 12762, 12763, 12766 to 12768, two each 12761, 12764 and 12765 ..
12753	1095	Wrench, for 873
19221	1095	" " 611

GUIDES

12530	1093	Guide, to sew American Axminster ..
12527	1093	" " " Brussels
12748	1093	" " " extra thick serged edge
12911	1094	" " " " " " "
12790	1093	" " " Matting
12803	1094	" " " "
12791	1093	" " " "
12868	1094	" " " " (flat seam) ..
12792	1093	" " " "
12793	1093	" " " "
12814	1064	" " " "
12815	1064	" " " "
12804	1064	" " " Moquette (turned edge) ..
12910	1094	" " " " " " " ..
12874	1094	" " " " (flat seam) ..
12912	1094	" " " Saxony and Wilton ..
12532	1093	" " " Tapestry
12533	1093	" " " Wilton
12909	1094	" " " "
12876	1094	" " " " (for taking the fullness
12873	1094	Guide, to sew Nap Axminster (coarse) ..
12875	1094	" " " " " " " ..
12906	1094	" " " heavy Axminster

BINDER

No.	Plate	Name
*12816	1075	Binding Holder Base
402D	1058	" " " Screw
12817	1075	" " Bracket
*12818	1075	" " Rim
12819	1075	" " " Supporting Arm
236F	1058	" " " " " " "
172C	1058	Screw
172C	1058	Binding Holder Screw
12820	1075	Binding Holder complete, Nos. 172C, 236F, 401E, 812B, 1621E, 12816 to 12819, 12821, 12822, two 402D and three 233D
12821	1075	Binding Tension Spring
12822	1075	" " " Bracket
233D	1058	" " " " " Screw (lower)
401E	1058	Binding Tension Spring Bracket Screw (upper)
812B	1061	Binding Tension Spring Regulating Screw
1621E	1061	Binding Tension Spring Regulating Screw Nut
233D	1058	Binding Tension Spring Screw
12823	---	Binder complete, Nos. 12820 and 12824
12824	1075	Guide, for binding

Note: When ordering No. 12824 send sample of carpet and binding.

TRACK

SUPPORTED BY LEGS

No.	Plate	Name
12605	—	Belt
12690	1077	" Adjusting Bracket with two 795c
967E	1058	" " " Screw
12691	1079	" " Rod, length 3 ft. 7 inches
12692	1077	" " " Pulley, 6½ in. diam
		eter
795c	1058	Belt Adjusting Rod Set Screw
12811	—	Belt Adjuster complete, Nos. 12690,
		12700, 12719, 12720, two each 819c,
		12691, 12692 and three 967E
12770	1072	Belt Coupling Joint Ball
12771	1072	" " " " Rivet
873c	1072	" " " " Screw
12772	—	Belt Coupling Joint complete, Nos.
		12771, two each 873c and 12770 ..
12773	1072	Belt Coupling Sleeve
12610	1072	Belt Coupling complete, Nos. 12772,
		two each 12773 and wood screws
		¾ in., No. 9
12693	1078	Brace (long), for 3 ft. 7 in. section..
12878	—	" " " 3 ft. section
12745	1078	" (short), for 3 ft. 7 in. section..
12879	—	" " " 3 ft. section
12694	1078	" Angle (lower)
953J	1060	" " " Bolt, 2¼ x ½ in.
		with 1522J
1522J	1061	Brace Angle (lower) Bolt Nut
12620	1072	" " " " Washer ..
12695	1078	" " (upper)
954J	1060	" " " Bolt, 2¼ x ½ in.
		with 1522J
1522J	1061	Brace Angle (upper) Bolt Nut
12813	1072	" " " " Washer..
954J	1060	" " Bolt, 2¼ x ½ in., with
		1522J, for single brace
1522J	1061	Brace Angle Bolt Nut
12620	1072	" " " " Washer
783E	1058	" Screw
9281	1072	" " Washer
12696	1076	Carpet Height Guide
145E	1058	" " " " Screw
1528c	1061	" " " " Nut

Parts of Track

No.	Plate	Name
12697	1080	Clamping Arm with 12614
12834	1071	" " Spring
12614	1057	" " " Hook
12698	1073	" Jaw (inside)
138E	1058	" " " Screw
12699	1073	" " (outside) with 12617
690D	1058	" " " Screw
12617	1086	" " Spur
12700	1076	Driving Belt Adjusting Bracket with
		611E
611E	1058	Driving Belt Adjusting Bracket Ad-
		justing Screw
819c	1059	Driving Belt Adjusting Bracket
		Screw Stud
12705	1076	Feed Rack (end)
12706	1076	" " (intermediate), for 3 ft. 7
		in. section
12880	—	Feed Rack (intermediate), for 3 ft.
		section
430c	1058	Feed Rack Adjusting Screw
1520J	1061	" " " " Nut
445c	1058	" " Set Screw
12809	1080	Guide Rack (wood) with eight name
		plates and sixteen pins
51077E	1087	Guide Rack Bolt, 3 x ¼ in., with 51581E
51581E	—	" " " Nut
210805	1086	" " " Washer
12707	1077	Hanger, for 12718, with 436c, 1517E,
		two each 430c, 445c and 1520J ...
12836	1080	Hanger, for 12718, with 12614, two
		each 430c, 445c and 1520J
821E	1060	Hanger Screw
12708	1077	" (intermediate) with two each
		430c, 445c and 1520J
821E	1060	Hanger (intermediate) Screw
954J	1060	" Bolt, 2¼ x ½ in., with 1522J ..
1522J	1061	" " Nut
12620	1072	" " Washer
12709	1077	" Bracket
12837	1080	" " for use with 599
12883	—	" " Stay Bar (intermediate),
		length 3 ft., for 3 ft. section
12691	1079	Hanger Bracket Stay Bar (interme-
		diate), length 3 ft. 7 in., for 3 ft.
		7 in. section
12881	—	Hanger Bracket Stay Bar (end)
		(left), length 3 ft. 1½ in., for 3 ft.
		section

Parts of Track

No.	Plate	Name
12742	1079	Hanger Bracket Stay Bar (end) (left), length 3 ft. 8½ in., for 3 ft. 7 in. section
12882	—	Hanger Bracket Stay Bar (end) (right), length 3 ft. 2½ in., for 3 ft. section
12832	1079	Hanger Bracket Stay Bar (end) (right), length 3 ft. 9½ in., for 3 ft. 7 in. section
12743	1076	Hanger Bracket Stay Bar Coupling with 795c
12744	1076	Hanger Bracket Stay Bar Coupling Bracket with 795c
954J	1060	Hanger Bracket Stay Bar Coupling Bracket Bolt with 1522J
1522J	1061	Hanger Bracket Stay Bar Coupling Bracket Bolt Nut
822E	1060	Hanger Bracket Stay Bar Coupling Screw
795c	1058	Hanger Bracket Stay Bar Set Screw
12714	1077	Hanging Arm with 448c
12715	1077	" " Latch with 12673
25D	1059	" " " Hinge Screw
12673	1057	" " " Pin
9534	1071	" " " Spring
12716	1072	" " Spur
12717	1072	" " " Holder
12835	1072	" " " " 12717 with 12716
448c	1058	Hanging Arm Spur Holder Screw ..
12718	1078	Leg
12812	1080	" Brace
497J	1060	" " Bolt, 1½ x ½ in., with 1522J ..
1522J	1061	" " " Nut
12813	1072	" " " Washer
		" wood screw, for floor, 2 in., No. 24 (4)
12719	1076	Name Plate with two 448c
448c	1058	" " Set Screw
12720	1076	Return Belt Adjusting Bracket with 611E
611E	1058	Return Belt Adjusting Bracket Adjusting Screw
819c	1059	Return Belt Adjusting Bracket Screw Stud

Parts of Track

No.	Plate	Name
12721	1077	Starting Lever with 795c
795c	1058	" " Set Screw
12722	1073	" " Trip Pawl
786D	1059	" " " " Hinge Screw
12648	1072	" " " " Spring
236D	1058	" " " " " Screw
12884	—	" Rod (end) (left), for 3 ft. section
12723	1079	Starting Rod (end) (left), for 3 ft. 7 in. section
12885	—	Starting Rod (end) (right), for 3 ft. section
12725	1079	Starting Rod (end) (right), for 3 ft. 7 in. section
12724	1073	Starting Rod (end) Collar with 363c ..
363c	1058	" " " " Set Screw
12886	—	" " (intermediate), for 3 ft. section
12726	1079	Starting Rod (intermediate), for 3 ft. 7 in. section
12727	1073	Starting Rod (intermediate) Collar with 363c
363c	1058	Starting Rod (intermediate) Collar Set Screw
12728	1076	Stop Bracket with 363c, 12641 and two 190D
12641	1072	Stop Bracket Pad (rawhide)
190D	1058	" " " Screw
12729	1076	" " (for return machine) ..
145E	1058	" " " " " Screw
1528c	1061	" " " " " " Nut
12730	1071	Stop Bracket Pawl
12643	1071	" " " Spring
236D	1058	" " " " Screw
784c	1058	" " " " " Stud ..
12674	1071	" " " Stop Pin
363c	1058	" " Set Screw
12731	1077	Stretching Arm with 429c, 453c, 795c and 1513J
12732	1077	Stretching Arm Lever
823c	1059	" " " Hinge Screw ..
1608c	1061	" " " " " Nut
12733	1073	" " " Link
824c	1059	" " " " Screw ..
1608c	1061	" " " " " Nut
51001c	1086	" " " " " Hinge Screw (for first section)

Parts of Track

No.	Plate	Name
825c	1059	Stretching Arm Lever Link Hinge Screw
1608c	1061	Stretching Arm Lever Link Hinge Screw Nut
795c	1058	Stretching Arm Set Screw
12734	1073	" Clamp (inside)
12735	1073	" " " Bracket with 453c
138E	1058	Stretching Clamp (inside) Bracket Screw
12738	1071	Stretching Clamp (inside) Hinge Pin
453c	1058	" " " " " Set Screw
12806	1073	Stretching Clamp (inside) Spring ..
436c	1083	" " " Stop Screw Stud
1517J	1086	Stretching Clamp (inside) Stop Screw Stud Nut
12736	1073	Stretching Clamp (outside)
12738	1071	" " " Hinge Pin
453c	1058	" " " " " Set Screw
12807	1073	Stretching Clamp (outside) Spring..
159E	1058	" " " Stop Screw
429c	1086	" " " " " Stud
1513J	1092	Stretching Clamp (outside) Stop Screw Stud Nut
12808	1073	Stretching Clamp Shield
12754	1080	Tool Tray
51072E	---	" " Bolt, 2 1/2 x 1/2 in., with 51581E
51581E	---	" " " Nut
210805	1086	" " " Washer
12888	---	Track Rod (end, upper) (left), length 4 ft., for 3 ft. section
12739	1079	Track Rod (end, upper) (left), length 4 ft. 7 in., for 3 ft. 7 in. section ..
12889	---	Track Rod (end, upper) (right), length 4 ft., for 3 ft. section
12825	1079	Track Rod (end, upper) (right), length 4 ft. 7 in., for 3 ft. 7 in. section
12890	---	Track Rod (intermediate) (lower), length 3 ft., for 3 ft. section
12891	---	Track Rod (intermediate) (lower), length 3 ft., for 12690, for 3 ft. section

Parts of Track

No.	Plate	Name
12823	1079	Track Rod (intermediate) (lower), length 3 ft. 7 in., for 3 ft. 7 in. section
12829	1079	Track Rod (intermediate) (lower), length 3 ft. 7 in., for 12690, for 3 ft. 7 in. section
12892	---	Track Rod (intermediate) (upper), length 3 ft., for 3 ft. section
12893	---	Track Rod (intermediate) (upper), length 3 ft., for 12690, for 3 ft. section
12740	1079	Track Rod (intermediate) (upper), length 3 ft. 7 in., for 3 ft. 7 in. section
12826	1079	Track Rod (intermediate) (upper), length 3 ft. 7 in., for 12690, for 3 ft. 7 in. section
12887	---	Track Rod (end, lower) (left and right), length 4 ft., for 3 ft. section
12827	1079	Track Rod (end, lower) (left and right), length 4 ft. 7 in., for 3 ft. 7 in. section
967E	1058	Track Rod (lower) Screw
966E	1058	" " (upper) Screw, long
967E	1058	" " " " short

REMOVABLE MACHINE STOP AND BELT SUPPORT PARTS

12501	1087	Driving Belt Roller
12681	1071	" " " Stud
191c	1058	" " " " Screw
457c	1086	" " " " Set Screw ..
8800	1072	" " " " Washer
12682	1075	Stop Stud
12683	1076	" " Arm with two 457c
12684	1076	" " " Bracket with two 445c
445c	1058	" " " " Screw
12685	1071	" " " Hinge Pin
12686	1076	" " Latch Bracket
180E	1058	" " " " Screw
11121	1071	" " " Pin
11122	1071	" " " " Head
2269	1057	" " " " " Pin
11124	1071	" " " " Spring

Parts of Track

No.	Plate	Name
11120	---	Stop Stud Latch Pin complete, Nos. 2269, 11121, 11122 and 11124
1606c	1061	Stop Stud Nut
12687	---	Stop complete, Nos. 191c, 1606c, 8800, 11120, 12681 to 12686, 12830, 12831, two each 180E and 12501
12830	1079	Track Rod (lower), length 3 ft. 7 inches
967E	1058	Track Rod (lower) Screw
12831	1079	" " (upper), length 3 ft. 7 inches
966E	1058	Track Rod (upper) Screw

POWER TRANSMITTER PARTS

12778	1077	Frame with three 968c
968c	1058	" Set Screw
12779	1077	Gear with 445c and 888c
12780	1077	" Cover
145E	1058	" Screw
888c	1058	" Position Screw
445c	1058	" Set Screw
12782	1077	Machine Driving Pulley, 8 in. diam., with 445c and 888c
888c	1058	Machine Driving Pulley Position Screw
445c	1058	Machine Driving Pulley Set Screw
12784	1075	" " " Shaft
12785	1075	" " " Bushing (eccentric)
968c	1058	Machine Driving Pulley Shaft Bushing Set Screw
12786	1077	Machine Return Pulley, 6½ in. diam., with 445c and 888c
888c	1058	Machine Return Pulley Position Screw
445c	1058	Machine Return Pulley Set Screw
12787	1075	" " " Shaft
12838	1087	Pinion with 445c and 888c
888c	1058	" Position Screw
445c	1058	" Set Screw
12789	---	Transmitter complete, Nos. 12778 to 12780, 12782, 12784 to 12787, 12838 and three 145E

Parts of Track

COUNTER SHAFT PARTS

No.	Plate	Name
12913	---	Driving Belt, width 1½ in., length 10 ft. 2 in. (flat), with three 25029 ..
25029	1088	Driving Belt Hook
12794	1077	" " Bracket with three 363c
12795	1075	" " " Shaft
202244	---	" " " " Oil Wick
12805	1079	" " " " Pulley, 8 in. diam. (grooved, tight) with 909c ..
12796	1079	Driving Belt Bracket Shaft Pulley, 8 in. diam. (grooved, loose)
12797	1078	Driving Belt Bracket Shaft Pulley, 8 in. diam. (flat), with 909c
12798	1078	Driving Belt Bracket Shaft Pulley, 9 in. diam. (flat), with 909c
12799	1079	Driving Belt Bracket Shaft Pulley, 10 in. diam. (flat), with 909c
12810	1078	Driving Belt Bracket Shaft Pulley, 11 in. diam. (flat), with 909c
12800	1078	Driving Belt Bracket Shaft Pulley, 12 in. diam. (flat), with 909c
12903	---	Driving Belt Bracket Shaft Pulley, 13 in. diam. (flat), with 909c
12904	---	Driving Belt Bracket Shaft Pulley, 14 in. diam. (flat), with 909c
12905	---	Driving Belt Bracket Shaft Pulley, 15 in. diam. (flat), with 909c
909c	1058	Driving Belt Bracket Shaft Pulley Set Screw
524c	1058	Driving Belt Bracket Shaft Screw
14044	1072	" " " " Washer
363c	1058	Driving Belt Bracket Set Screw
12801	---	Counter Shaft complete, Nos. 524c, 12794 to 12796, 12805, 12810, 14044 and 202244

NUMERICAL LIST OF PARTS

No.	Plate	Name
25D	1059	Hanging Arm Latch Hinge Screw ..
38c	1090	Piler Connecting Rod Hinge Screw (lower)
45c	1059	Return Belt Roller Screw
64c	1090	Needle Slide Lever Link Hinge Screw
89c	1059	Grip Lever Lock Screw
132E	1090	Needle Slide Guide Block Position Screw
134c	1058	Guide Holder Screw
138E	1058	Clamping Jaw (inside) Screw
138E	1058	Stretching Clamp (inside) Bracket Screw
145E	1058	Carpet Height Guide Screw
145E	1058	Power Transmitter Gear Cover Screw, for 12789
145E	1058	Stop Bracket (for return machine) Screw
146D	1058	Looper Bracket Screw
159E	1058	Stretching Clamp (outside) Stop Screw
161D	1058	Looper Thread Spool Bracket Screw
161D	1058	Needle Thread Spool Bracket Screw
172c	1058	Binding Holder Screw, for 12820 ...
172c	1058	Grip Lever Lock Bracket Screw ...
176F	1058	Needle Guide Screw
176F	1058	Spreader Connecting Rod Screw ...
180E	1058	Stop Stud Latch Bracket Screw, for 12687
185H	1083	Spreader Lever Cap Screw
190D	1058	Pull-off Screw
190D	1058	Stop Bracket Pad Screw, for 12728
191c	1058	Driving Belt Roller Screw
191c	1058	" " " Stud Screw, for 12687
191c	1058	Looper Thread Tension Bracket Screw
191c	1058	Yielding Fork (right) Roller Stud Screw
193F	1058	Looper Set Screw, for 12850
193F	1058	Tripping Lever Stop Screw
199D	1090	Piler Cap Screw
200F	1058	Needle Clamping Screw
200D	1058	" Slide Guide Block Stud Set Screw

SINGER Needles should be used
in **SINGER** Machines
These Needles and their Containers
are marked with the
Company's Trade Mark "SIMANCO."TM

Needles in Containers marked
"FOR SINGER MACHINES"
are NOT **SINGER** made needles.

Numerical List of Parts

No.	Plate	Name
200F	1058	Safety Catch Bracket Screw
202F	1058	Stop Lever Regulating Screw
207F	1083	Spreader Connecting Rod Plate Screw
208D	1058	Grip Lever Lock Clamping Screw ..
212F	1088	Guide Stop Screw, for 12848
229D	1058	Spreader Pinion Cover Screw
233D	1058	Binding Tension Spring Bracket Screw (lower), for 12820
233D	1058	Binding Tension Spring Screw, for 12820
233D	1058	Looper Position Point Screw
236F	1058	Binding Holder Rim Supporting Arm Screw, for 12820
236D	1058	Starting Lever Trip Pawl Spring Screw
236D	1058	Stop Bracket Pawl Spring Screw ..
236D	1058	Tripping Lever Finger Spring Screw
248A	1058	Grip Lever Set Screw
335D	1058	Stop Lever Friction Pad Screw
363C	1058	Counter Shaft Driving Belt Bracket Set Screw, for 12794
363C	1058	Starting Rod (end) Collar Set Screw, for 12724
363C	1058	Starting Rod (intermediate) Collar Set Screw, for 12727
363C	1058	Stop Bracket Set Screw, for 12728..
401E	1058	Binding Tension Spring Bracket Screw (upper), for 12820
401E	1058	Friction Wheel Latch Washer Screw, for 12915
402D	1058	Needle Thread Take-up Eyelet Screw
402D	1058	Binding Holder Base Screw, for 12820
429C	1086	Stretching Clamp (outside) Stop Screw Stud, for 12731
430C	1058	Feed Rack Adjusting Screw, for 12707, 12708 and 12836
436C	1083	Stretching Clamp (inside) Stop Screw Stud, for 12707
445C	1058	Feed Rack Set Screw, for 12707, 12708 and 12836
445C	1058	Power Transmitter Gear Set Screw, for 12779
445C	1058	Power Transmitter Machine Driving Pulley Set Screw, for 12782
445C	1058	Power Transmitter Machine Return Pulley Set Screw, for 12786
445C	1058	Power Transmitter Pinion Set Screw, for 12838

Numerical List of Parts

No.	Plate	Name
445C	1058	Stop Stud Arm Bracket Screw, for 12684
447C	1058	Needle Slide Bar Set Screw
448C	1058	Hanging Arm Spur Holder Screw, for 12714
448C	1058	Name Plate Set Screw, for 12719 ..
448C	1058	Needle Cam Set Screw, for 12917 ..
448C	1058	" Slide Lever Hinge Stud Set Screw
448C	1058	Roller (lower) Stud Set Screw
453C	1058	Driving Belt Roller Support Set Screw, for 12502 and 12776
453C	1058	Stretching Clamp (inside) Hinge Pin Set Screw, for 12735
453C	1058	Stretching Clamp (outside) Hinge Pin Set Screw, for 12731
457C	1086	Driving Belt Roller Stud Set Screw, for 12683
465C	1058	Feed Eccentric Set Screw, for 12508
465C	1058	Locking Cam Set Screw, for 12537 ..
465C	1058	Looper Cam Set Screw, for 12545 ..
465C	1058	Spreader Cam Set Screw, for 12582
497J	1060	Leg Brace Bolt, $1\frac{1}{2}$ x $\frac{1}{2}$ in., with 1522J
524C	1058	Counter Shaft Driving Belt Bracket Shaft Set Screw, for 12801
611E	1058	Driving Belt Adjusting Bracket Ad- justing Screw, for 12700
611E	1058	Return Belt Adjusting Bracket Ad- justing Screw, for 12720
690D	1058	Clamping Jaw (outside) Screw
729C	1059	Feed Lever Screw
783E	1058	Brace Screw
784C	1058	Stop Bracket Pawl Spring Screw Stud
786D	1059	Starting Lever Trip Pawl Hinge Screw
791C	1058	Feed Point Set Screw, for 12505
791C	1058	Locking Point Set Screw, for 12539
792C	1058	Needle Thread Take-up Block Screw
795C	1058	Belt Adjusting Rod Set Screw, for 12690
795C	1058	Hanger Bracket Stay Bar Set Screw, for 12743 and 12744
795C	1058	Starting Lever Set Screw, for 12721
795C	1058	Stretching Arm Set Screw, for 12731
812B	1061	Binding Tension Spring Regulating Screw, for 12820

Numerical List of Parts

No.	Plate	Name
819c	1059	Driving Belt Adjusting Bracket Screw Stud, for 12811
819c	1059	Return Belt Adjusting Bracket Screw Stud, for 12811
821E	1060	Hanger Screw
821E	1060	" (intermediate) Screw
822E	1060	" Bracket Stay Bar Coupling Screw
823c	1059	Stretching Arm Lever Hinge Screw
824c	1059	" " " Link Screw ..
825c	1059	" " " Hinge Screw
826F	1059	Tripping Lever Screw
873c	1072	Belt Coupling Joint Screw, for 12772
888c	1058	Power Transmitter Gear Position Screw, for 12779
888c	1058	Power Transmitter Machine Driving Pulley Position Screw, for 12782..
888c	1058	Power Transmitter Machine Return Pulley Position Screw, for 12786..
888c	1058	Power Transmitter Pinion Position Screw, for 12838
909c	1058	Counter Shaft Driving Belt Bracket Shaft Pulley Set Screw, for 12797 to 12800, 12805, 12810 and 12903 to 12905
953J	1060	Brace Angle (lower) Bolt, 2 $\frac{3}{4}$ x $\frac{1}{2}$ in., with 1522J
954J	1060	Brace Angle (upper) Bolt, 2 $\frac{1}{4}$ x $\frac{1}{2}$ in., with 1522J
954J	1060	Brace Angle Bolt, 2 $\frac{1}{4}$ x $\frac{1}{2}$ in., with 1522J, for single brace
954J	1060	Hanger Bolt, 2 $\frac{1}{4}$ x $\frac{1}{2}$ in., with 1522J ..
954J	1060	" Bracket Stay Bar Coupling Bracket Bolt with 1522J
956c	1061	Looper Thread Tension Stud
956c	1061	Needle Thread Tension Stud
960B	1058	Hand Wheel Screw
966E	1058	Track Rod (upper) Screw
966E	1058	" " " long
967E	1058	Belt Adjusting Bracket Screw, for 12811
967E	1058	Track Rod (lower) Screw
967E	1058	" " (upper) Screw, short ...
968c	1058	Power Transmitter Frame Set Screw, for 12778
968c	1058	Power Transmitter Machine Driving Pulley Shaft Bushing Set Screw ..
1143c	1086	Friction Wheel Set Screw, for 12514

Numerical List of Parts

No.	Plate	Name
1149c	1088	Guide Holder Plate Screw, for 12848
1229c	1088	Feed Guide Stud Set Screw
1330c	1090	Piler Connecting Rod Hinge Screw (upper)
1331c	1092	Stop Lever Hinge Screw
1513c	1092	Roller (lower) Stud (right) Nut Lock Nut
1513J	1092	Stretching Clamp (outside) Stop Screw Stud Nut, for 12731
1517J	1086	Stretching Clamp (inside) Stop Screw Stud Nut, for 12707
1518J	1090	Needle Slide Lever Roller and Screw Stud Nut, for 1951
1519E	1061	Looper Thread Spool Post Nut
1519E	1061	Needle Thread Spool Post Nut
1520J	1061	Feed Rack Adjusting Screw Nut, for 12707, 12708 and 12836
1522J	1061	Brace Angle (lower) Bolt Nut, for 953
1522J	1061	Brace Angle (upper) Bolt Nut, for 954
1522J	1061	Brace Angle Bolt Nut, for 954
1522J	1061	Hanger Bolt Nut, for 954
1522J	1061	Hanger Bracket Stay Bar Coupling Bracket Bolt Nut, for 954
1522J	1061	Leg Brace Bolt Nut, for 497
1528c	1061	Carpet Height Guide Screw Nut ...
1528c	1061	Stop Bracket (for return machine) Screw Nut
1547J	1061	Looper Thread Tension Stud Lock Nut
1560c	1061	Looper Thread Tension Regulating Thumb Nut
1560c	1061	Needle Thread Tension Regulating Thumb Nut
1606c	1061	Stop Stud Nut, for 12687
1608c	1061	Stretching Arm Lever Hinge Screw Nut
1608c	1061	Stretching Arm Lever Link Hinge Screw Nut
1608c	1061	Stretching Arm Lever Link Screw Nut
1611E	1092	Stop Lever Hinge Screw Nut
1621E	1061	Binding Tension Spring Regulating Screw Nut, for 12820
1677c	1092	Roller (lower) Stud (right) Nut ...
1951	1090	Needle Slide Lever Roller and Screw Stud with 1518J, for 12919

Numerical List of Parts

No.	Plate	Name
2022	1092	Starting Lever Pin
2102	1090	Looper Thread Tension Disc
2102	1090	Needle Thread Tension Disc
2103	1057	Looper Thread Tension Spring
2103	1057	Needle Thread Tension Spring
2269	1057	Looper Thread Tension Bracket Position Pin
2269	1057	Spreader Pinion Pin
2269	1057	Stop Stud Latch Pin Head Pin, for 11120
3012	1057	Friction Wheel Pin
3012	1057	Needle Cam Pin
7071	1083	Spreader Connecting Rod Screw Washer
8078	1095	Belt Awl
8554	1090	Looper Bracket Steady Pin
8800	1072	Driving Belt Roller Screw Washer..
8800	1072	" " " Stud Washer, for 12687
8800	1072	Yielding Fork (right) Roller Stud Screw Washer
9281	1072	Brace Screw Washer
9534	1071	Hanging Arm Latch Spring
10195	1057	Feed Disengaging Lever Locking Pin Spring
11120	—	Stop Stud Latch Pin complete, Nos. 2269, 11121, 11122 and 11124, for 12687
11121	1071	Stop Stud Latch Pin, for 11120
11122	1071	" " " " Head, for 11120
11124	1071	" " " " Spring, for 11120
11831	1095	Screw Driver (large)
12501	1087	Driving Belt Roller, for 12687
12502	1087	" " " Support (left) with two 453c
12505	1087	Feed Disengaging Lever with 791c..
12506	1057	" " " Hinge Pin..
12507	1057	" " " Locking Pin
12508	1088	" Eccentric with 465c
12509	1057	" " Pin
12510	1087	" Lever
12511	1088	" " Slide Block
12512	1088	" Point
		Nos. 12514 to 12518, for 12915
12514	1087	Friction Wheel with 1143c
12515	1088	" " Gib

Numerical List of Parts

No.	Plate	Name
12516	1057	Friction Wheel Gib Position Pin
12517	1088	" " Latch with 12519
12518	1088	" " " Washer
12519	1057	" " " " Pin, for 12517
12520	1054	Grip Lever
12521	1088	" " Lock
12522	1088	" " " Bracket
12523	1057	" " " Spring
12524	1057	" " " " Hook
12525	1057	" " Spring Hook, for 12689 ..
12526	1057	" " " " " 12523 ..
12527	1093	Guide, to sew Brussels
12530	1093	" " " American Axminster..
12532	1093	" " " Tapestry
12533	1093	" " " Wilton
12536	1089	Hand Wheel
12537	1088	Locking Cam with 465c
12538	1057	" " Pin
12539	1089	" Lever with 791c
12540	1088	" " Shaft Slide Block
12541	1088	" " Slide Block
12542	1090	" Point
12543	1090	Looper
12545	1090	" Cam with 465c
12546	1057	" " Pin
12546	1057	Spreader Cam Pin
12549	1090	Looper Lever Strap Division Block..
12550	1057	" Position Point
12557	1089	" Thread Tension Bracket
12562	1089	Needle Slide Bar
12565	1057	" " Gib Pin
12566	1057	" Thread Guide
12569	1090	" " Take-up Eyelet
12571	1092	Pin-off
12572	1092	Return Belt Roller
12573	1091	Roller (lower)
12575	1092	" " Stud (left)
12576	1092	Safety Catch
12577	1092	" " Bracket
12578	1057	" " Hinge Pin
12582	1092	Spreader Cam with 465c
12585	1091	Starting Lever
12586	1092	" " Trip
12587	1057	" " " Hinge Pin
12588	1057	" " " Spring
12590	1092	" " Friction Pad (rawhide)
12592	1092	Stop Lever Spring

Numerical List of Parts

No.	Plate	Name
12594	1092	Tripping Lever
12595	1092	“ “ Finger
12596	1057	“ “ “ Hinge Pin ...
12597	1057	“ “ “ Spring
12598	1057	“ “ Spring
12599	1054	Yielding Fork (left)
12601	1054	“ “ (right) Roller
12602	1054	“ “ Spring
12603	1054	“ “ (left) Roller Stud
12605	—	Belt
12610	1072	Belt Coupling complete, Nos. 12772, two each 12773 and wood screws ¾ in., No. 9
12614	1057	Clamping Arm Spring Hook, for 12697 and 12836
12617	1086	Clamping Jaw Spur, for 12699
12620	1072	Brace Angle (lower) Bolt Washer ..
12620	1072	“ “ Bolt Washer
12620	1072	Hanger Bolt Washer
12641	1072	Stop Bracket Pad (rawhide), for 12728
12643	1071	Stop Bracket Pawl Spring
12648	1072	Starting Lever Trip Pawl Spring ..
12668	1076	Belt Compressor complete, Nos. 12669 to 12671 and three wood screws 1 in., No. 10
		Nos. 12669 to 12671, for 12668
12669	1076	Belt Compressor Bracket
12670	1076	“ “ Lever
12671	1071	“ “ “ Hinge Pin
12672	—	Clamp (stretching) Strap
12673	1057	Hanging Arm Latch Pin, for 12715..
12674	1071	Stop Bracket Pawl Stop Pin
12675	1088	Feed Guide
12677	1054	Yielding Fork (right)
12678	1054	“ “ (left) Roller
12679	1054	“ “ (right) Roller Stud ..
12680	1054	“ “ “ “ Spring..
		Nos. 12681 to 12686, for 12687
12681	1071	Driving Belt Roller Stud
12682	1075	Stop Stud
12683	1076	“ “ Arm with two 457c
12684	1076	“ “ “ Bracket with two 445c
12685	1071	“ “ “ Hinge Pin
12686	1076	“ “ Latch Bracket

Numerical List of Parts

No.	Plate	Name
12687	—	Stop complete, Nos. 191c, 1606c, 8800, 11120, 12681 to 12686, 12830, 12831, two each 180e and 12501 ..
12689	1057	Grip Lever Spring
		Nos. 12690 to 12692, for 12811
12690	1077	Belt Adjusting Bracket with 795c ..
12691	1079	“ “ Rod, length 3 ft. 7 inches
12691	1079	Hanger Bracket Stay Bar (interme- diate), length 3 ft. 7 in., for 3 ft. 7 in. section
12692	1077	Belt Adjusting Rod Pulley, 6½ in. diameter
12693	1078	Brace (long), for 3 ft. 7 in. section..
12694	1078	“ Angle (lower)
12695	1078	“ “ (upper)
12696	1076	Carpet Height Guide
12697	1080	Clamping Arm with 12614
12698	1073	“ Jaw (inside)
12699	1073	“ “ (outside) with 12617
12700	1076	Driving Belt Adjusting Bracket with 611E, for 12811
12705	1076	Feed Rack (end)
12706	1076	“ “ (intermediate), for 3 ft. 7 in. section
12707	1077	Hanger, for 12718 with 436c, 1517E, two each 430c, 445c and 1520J
12708	1077	Hanger (intermediate) with two each 430c, 445c and 1520J
12709	1077	Hanger Bracket
12714	1077	Hanging Arm with 448c
12715	1077	“ “ Latch with 12673
12716	1072	“ “ Spur, for 12835
12717	1072	“ “ “ Holder, for 12835
12718	1078	Leg
12719	1076	Name Plate with two 448c, for 12811
12720	1076	Return Belt Adjusting Bracket with 611E, for 12811
12721	1077	Starting Lever with 795c
12722	1073	“ “ Trip Pawl
12723	1079	“ Rod (end) (left), for 3 ft. 7 in. section
12724	1073	Starting Rod (end) Collar with 363c
12725	1079	“ “ “ (right), for 3 ft. 7 in. section
12726	1079	Starting Rod (intermediate), for 3 ft. 7 in. section

Numerical List of Parts

No.	Plate	Name
12727	1073	Starting Rod (intermediate) Collar with 363c
12728	1076	Stop Bracket with 363c, 12641 and two 190b
12729	1076	Stop Bracket (for return machine) ..
12730	1071	" " Pawl
12731	1077	Stretching Arm with 429c, 453c, 795c and 1513f
12732	1077	Stretching Arm Lever
12733	1073	" " " Link
12734	1073	" Clamp (inside)
12735	1073	" " " Bracket with 453c
12736	1073	Stretching Clamp (outside)
12738	1071	" " (inside) Hinge Pin ..
12738	1071	" " (outside) Hinge Pin ..
12739	1079	Track Rod (end, upper) (left), length 4 ft. 7 in., for 3 ft. 7 in. section ..
12740	1079	Track Rod (intermediate) (upper), length 3 ft. 7 in., for 3 ft. 7 in. section
12742	1079	Hanger Bracket Stay Bar (end) (left), length 3 ft. 8½ in., for 3 ft. 7 in. section
12743	1076	Hanger Bracket Stay Bar Coupling with 795c
12744	1076	Hanger Bracket Stay Bar Coupling Bracket with 795c
12745	1078	Brace (short), for 3 ft. 7 in. section ..
12748	1093	Guide, to sew extra thick serged edge ..
12749	1054	Looper Thread Spool Rest Disc
12749	1054	Needle Thread Spool Rest Disc
12750	1054	Looper Thread Cone Center (wood) ..
12750	1054	Needle Thread Cone Center (wood) ..
12751	1054	Looper Thread Spool Clamping Disc ..
12751	1054	Needle Thread Spool Clamping Disc ..
12753	1095	Wrench, for 873
12754	1080	Tool Tray
12756	1054	Looper Thread Spool Bracket
12757	1054	Needle Thread Spool Bracket
12759	1057	Friction Wheel Latch Spring, for 12519 and 12915
Nos. 12760 to 12768, for 12769		
12760	1076	Clamp (stretching) Strap Eyelet ..
12761	1071	" " Jaw Hinge Pin
12761	1071	" " Strap Eyelet Hinge Pin

Numerical List of Parts

No.	Plate	Name
12762	1076	Clamp (stretching) Jaw (right)
12763	1076	" " " (left)
12764	1076	" " Link
12765	1071	" " Hinge Pin
12766	1071	" " Spring
12767	1071	" " " Hook, for 12762 ..
12768	1071	" " " " " 12763 ..
12769	1076	Clamp (stretching) complete, Nos. 12760, 12762, 12763, 12766 to 12768, two each 12761, 12764 and 12765 ..
12770	1072	Belt Coupling Joint Ball, for 12772 ..
12771	1072	" " " " Rivet, for 12772
12772	----	Belt Coupling Joint complete, Nos. 12771, two each 873c and 12770, for 12610
12773	1072	Belt Coupling Sleeve, for 12610
12774	1057	Gauge, for 12512 and 12542
12776	1087	Driving Belt Roller Support (right) with two 453c
Nos. 12778 to 12780, for 12789		
12778	1077	Power Transmitter Frame with three 968c
12779	1077	Power Transmitter Gear with 445c and 888c
12780	1077	Power Transmitter Gear Cover
12782	1077	" " Machine Driving Pulley, 8 in. diam., with 445c and 888c, for 12789
Nos. 12784 to 12787, for 12789		
12784	1075	Power Transmitter Machine Driving Pulley Shaft
12785	1075	Power Transmitter Machine Driving Pulley Shaft Bushing (eccentric) ..
12786	1077	Power Transmitter Machine Return Pulley, 6½ in. diam., with 445c and 888c
12787	1075	Power Transmitter Machine Return Pulley Shaft
12789	----	Power Transmitter complete, Nos. 12778 to 12780, 12782, 12784 to 12787, 12838 and three 145c
12790	1093	Guide, to sew Matting
12791	1093	" " " "
12792	1093	" " " "
12793	1093	" " " "

Numerical List of Parts

No.	Plate	Name
Nos. 12794 to 12796, for 12801		
12794	1077	Counter Shaft Driving Belt Bracket with three 363c
12795	1075	Counter Shaft Driving Belt Bracket Shaft
12796	1079	Counter Shaft Driving Belt Bracket Shaft Pulley, 8 in. diam. (grooved, loose)
12797	1078	Counter Shaft Driving Belt Bracket Shaft Pulley, 8 in. diam. (flat), with 909c
12798	1078	Counter Shaft Driving Belt Bracket Shaft Pulley, 9 in. diam. (flat), with 909c
12799	1078	Counter Shaft Driving Belt Bracket Shaft Pulley, 10 in. diam. (flat), with 909c
12800	1078	Counter Shaft Driving Belt Bracket Shaft Pulley, 12 in. diam. (flat), with 909c
12801	—	Counter Shaft complete, Nos. 524c, 12794 to 12796, 12805, 12810, 14044 and 202244
12803	1094	Guide, to sew Matting
12804	1064	" " " Moquette (turned edge)
12805	1079	Counter Shaft Driving Belt Bracket Pulley, 8 in. diam. (grooved, tight), with 909c, for 12801
12806	1073	Stretching Clamp (inside) Spring ..
12807	1073	" " (outside) Spring ..
12808	1073	" " Shield
12809	1080	Guide Rack (wood) with eight name plates and sixteen pins
12810	1078	Counter Shaft Driving Belt Bracket Shaft Pulley, 11 in. diam. (flat), with 909c, for 12801
12811	—	Belt Adjuster complete, Nos. 12690, 12700, 12719, 12720, two each 819c, 12691, 12692 and three 967E
12812	1080	Leg Brace
12813	1072	Brace Angle (upper) Bolt Washer ..
12813	1072	Leg Brace Bolt Washer
12814	1064	Guide, to sew Matting
12815	1064	" " " "

Numerical List of Parts

No.	Plate	Name
Nos. 12816 to 12819, for 12820		
*12816	1075	Binding Holder Base
12817	1075	" " Bracket
*12818	1075	" " Rim
12819	1075	" " Supporting Arm ..
12820	1075	Binding Holder complete, Nos. 172c, 236F, 401E, 812B, 1621E, 12816 to 12819, 12821, 12822, two 402D and three 233D, for 12823
12821	1075	Binding Tension Spring, for 12820 ..
12822	1075	" " Bracket, for 12820
12823	—	Binder complete, Nos. 12820 and 12824
12824	1075	Guide, for binding, for 12823
12825	1079	Track Rod (end, upper) (right), length 4 ft. 7 in., for 3 ft. 7 in. section
12826	1079	Track Rod (intermediate) (upper), length 3 ft. 7 in., for 12690, for 3 ft. 7 in. section
12827	1079	Track Rod (end, lower) (left and right), length 4 ft. 7 in., for 3 ft. 7 in. section
12828	1079	Track Rod (intermediate) (lower), length 3 ft. 7 in., for 3 ft. 7 in. section
12829	1079	Track Rod (intermediate) (lower), length 3 ft. 7 in., for 12690, for 3 ft. 7 in. section
12830	1079	Track Rod (lower), length 3 ft. 7 in., for 12687
12831	1079	Track Rod (upper), length 3 ft. 7 in., for 12687
12832	1079	Hanger Bracket Stay Bar (end) (right), length 3 ft. 9½ in., for 3 ft. 7 in. section
12834	1071	Clamping Arm Spring
12835	1072	Hanging Arm Spur Holder 12717 with 12716
12836	1080	Hanger, for 12718 with 12614, two each 430c, 445c and 1520J
12837	1080	Hanger Bracket, for use with 599 ..
12838	1087	Power Transmitter Pinion with 445c and 888c, for 12789
12844	1088	Guide Holder Plate, for 12848
12847	1091	" " Body, for 12848

Numerical List of Parts

No.	Plate	Name
12848	---	Guide Holder complete, Nos. 212F, 1149c, 12844 and 12847
*12849	---	Looper Bracket
12850	1089	" Lever with 193F
12852	1090	Needle Guide
12855	1091	Piler
12857	1090	" Connecting Rod
12858	1092	Roller (lower) Stud (right)
12859	1083	Spreader
12860	1083	" Connecting Rod (rack)
12861	1083	" " " Plate
12862	1091	" Lever
12863	1083	" " Cap
12864	1083	" Pinion
12865	1083	" " Cover
12866	1091	Stop Lever
12867	1083	" " Spring Support Pin
12868	1094	Guide, to sew Matting (flat seam) ..
12869	1090	Needle Slide Gib
12870	1090	Looper Lever Strap
12871	1089	" Thread Spool Post, 5½ in. long
12871	1089	Needle Thread Spool Post
12873	1094	Guide, to sew Nap Axminster (coarse)
12874	1094	Guide, to sew Moquette (flat seam)
12875	1094	" " " Nap Axminster (coarse)
12876	1094	" " " Wilton (for taking the fullness)
12878	---	Brace (long), for 3 ft. section
12879	---	" (short), for 3 ft. section
12880	---	Feed Rack (intermediate), for 3 ft. section
12881	---	Hanger Bracket Stay Bar (end) (left), length 3 ft. 1½ in., for 3 ft. section
12882	---	Hanger Bracket Stay Bar (end) (right), length 3 ft. 2½ in., for 3 ft. section
12883	---	Hanger Bracket Stay Bar (intermediate), length 3 ft., for 3 ft. section
12884	---	Starting Rod (end) (left), for 3 ft. section
12885	---	Starting Rod (end) (right), for 3 ft. section
12886	---	Starting Rod (intermediate), for 3 ft. section
12887	---	Track Rod (end, lower) (left and right), length 4 ft., for 3 ft. section

Numerical List of Parts

No.	Plate	Name
12888	---	Track Rod (end, upper) (left), length 4 ft., for 3 ft. section
12889	---	Track Rod (end, upper) (right), length 4 ft., for 3 ft. section
12890	---	Track Rod (intermediate) (lower), length 3 ft., for 3 ft. section
12891	---	Track Rod (intermediate) (lower), length 3 ft., for 12690, for 3 ft. section
12892	---	Track Rod (intermediate) (upper), length 3 ft., for 3 ft. section
12893	---	Track Rod (intermediate) (upper), length 3 ft., for 12690, for 3 ft. section
12895	1088	Feed Guide Stud (eccentric)
12898	1089	Needle Slide Guide Block
12899	1090	" " " " Stud
12902	1086	Piler Connecting Rock Guide (for use when piler is disconnected) ..
12903	---	Counter Shaft Driving Belt Bracket Shaft Pulley, 13 in. diam. (flat), with 909c
12904	---	Counter Shaft Driving Belt Bracket Shaft Pulley, 14 in. diam. (flat), with 909c
12905	---	Counter Shaft Driving Belt Bracket Shaft Pulley, 15 in. diam. (flat), with 909c
12906	1094	Guide, to sew heavy Axminster
12909	1094	" " " Wilton
12910	1094	" " " Moquette (turned edge)
12911	1094	" " " extra thick serged edge
12912	1094	" " " Saxony and Wilton ..
12913	---	Counter Shaft Driving Belt, width 1½ in., length 10 ft. 2 in. (flat), with three 25029
12914	1087	Driving Wheel, for 12915
12915	---	Driving Wheel complete, Nos. 401E, 12514, 12515, 12517, 12518, 12759, 12914 and two 12516
*12916	---	Frame
12917	1089	Needle Cam with 448c
12918	1089	" Slide
12919	1089	" " Lever with 1951
12920	1090	" " " Hinge Stud
12921	1090	" " " Link
12922	1090	" Thread Take-up Block
12923	1091	Shaft

Numerical List of Parts

No.	Plate	Name
12924	1087	Driving Belt Guard
12925	1087	" " Roller
14044	1072	Counter Shaft Driving Belt Bracket Shaft Screw Washer, for 12801 ..
19221	1095	Wrench, for 611
25029	1088	Counter Shaft Driving Belt Hook, for 12193
26151	1095	Screw Driver, Nos. 120090 and 120091
26346	1095	Pliers (4 in. flat nose)
50252F	1088	Grip Lever Lock Regulating Screw..
50252F	1088	Looper Lever Strap Division Block Screw
51001C	1086	Stretching Arm Lever Link Hinge Screw (for first section)
51072E	—	Tool Tray Bolt, 2½ x ¼ in., with 51581E
51077E	1087	Guide Rack Bolt, 3 x ¼ in., with 51581E
51581E	—	" " " Nut, for 51077
51581E	—	Tool Tray Bolt Nut, for 51072
*120090	—	Screw Driver Handle, for 26151
*120091	—	" " Blade, for 26151
120346	1095	Oiler (copper plated) with 120347 ..
120347	1095	" Spout, 9 in. long, for 120346 ..
201669D	1090	Needle Slide Guide Block Position Screw Nut
202244	—	Counter Shaft Driving Belt Bracket Shaft Oil Wick, for 12801
210805	1086	Guide Rack Bolt Washer
210805	1086	Tool Tray Bolt Washer
255513	1095	Tweezers
350258E	1090	Needle Slide Guide Block Position Screw

SINGER Needles should be used
in **SINGER** Machines
These Needles and their Containers
are marked with the
Company's Trade Mark "SIMANCO.***" 1

Needles in Containers marked
"FOR SINGER MACHINES"
are NOT **SINGER** made needles. 2

PLATE 1054—ONE-HALF SIZE

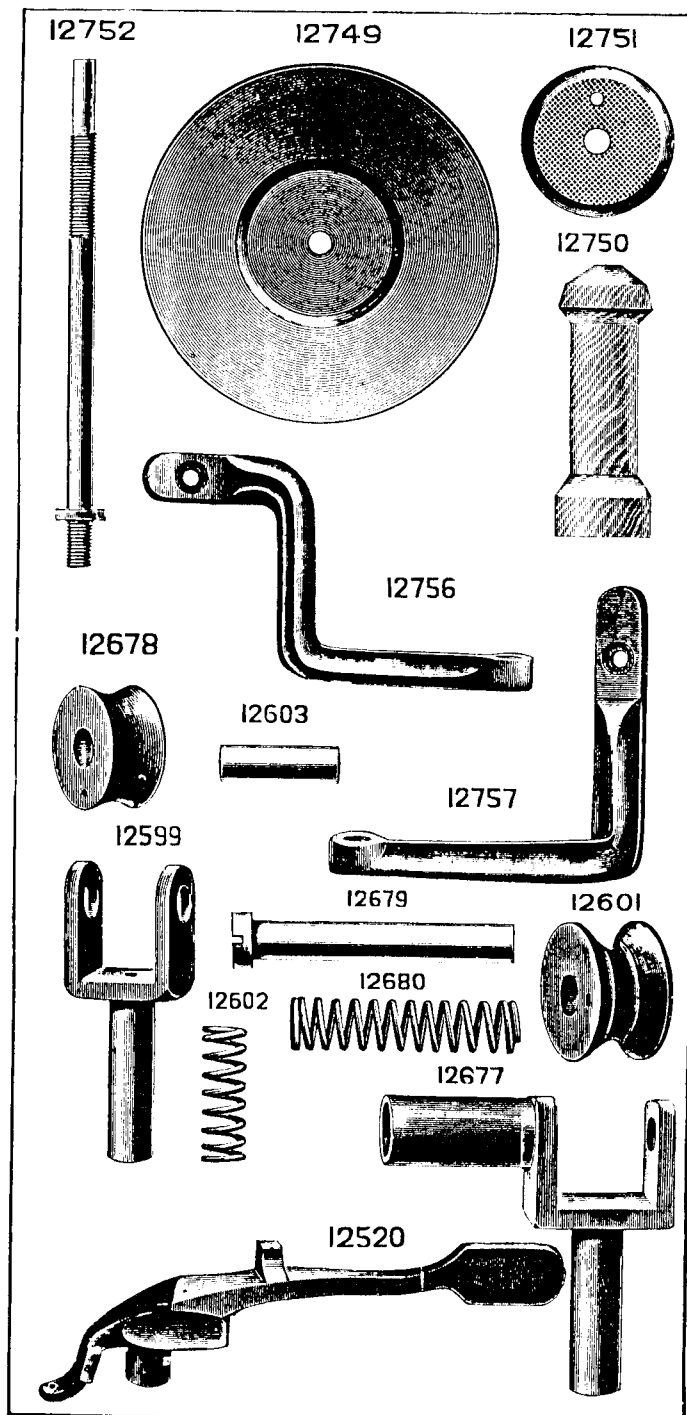


PLATE 1057—FULL SIZE

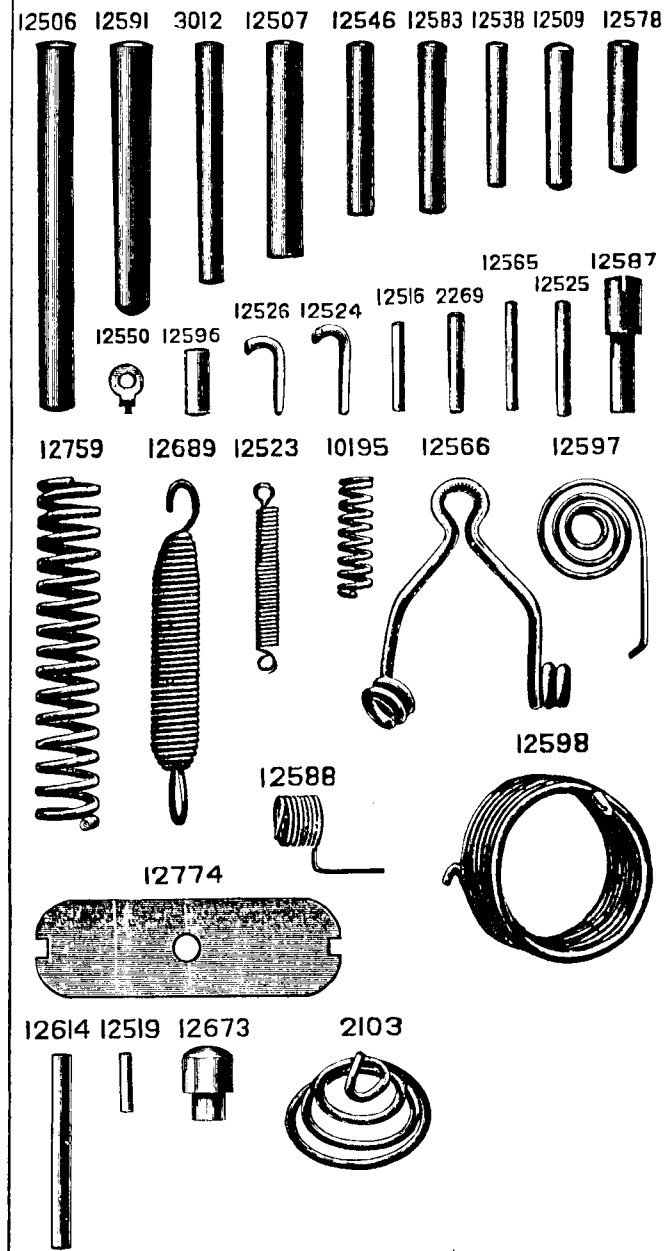


PLATE 1058—FULL SIZE

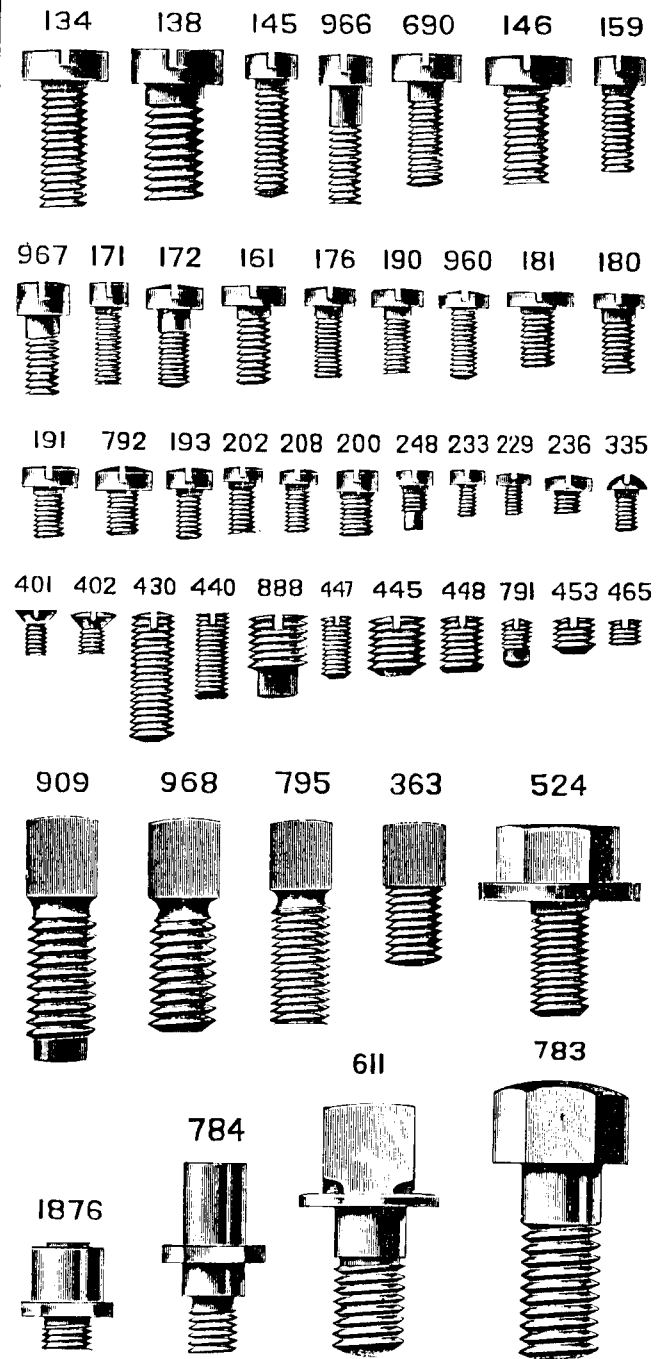


PLATE 1059—FULL SIZE

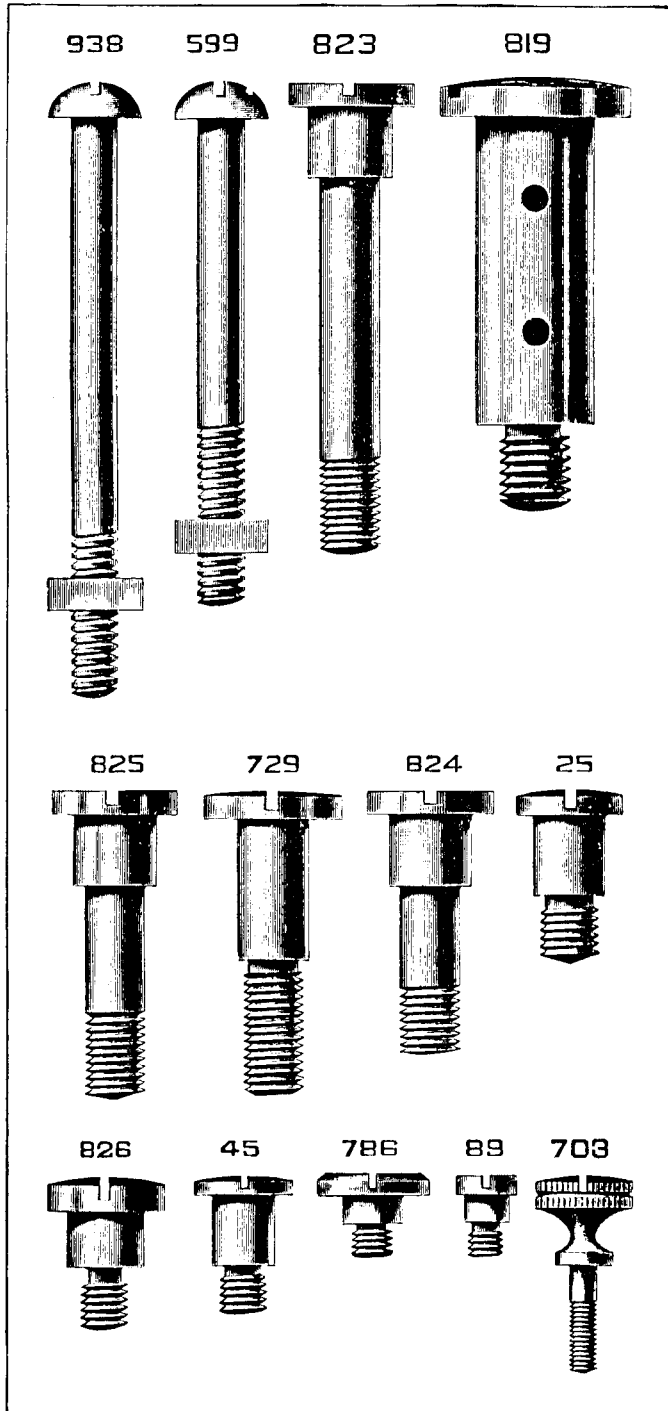


PLATE 1060—FULL SIZE

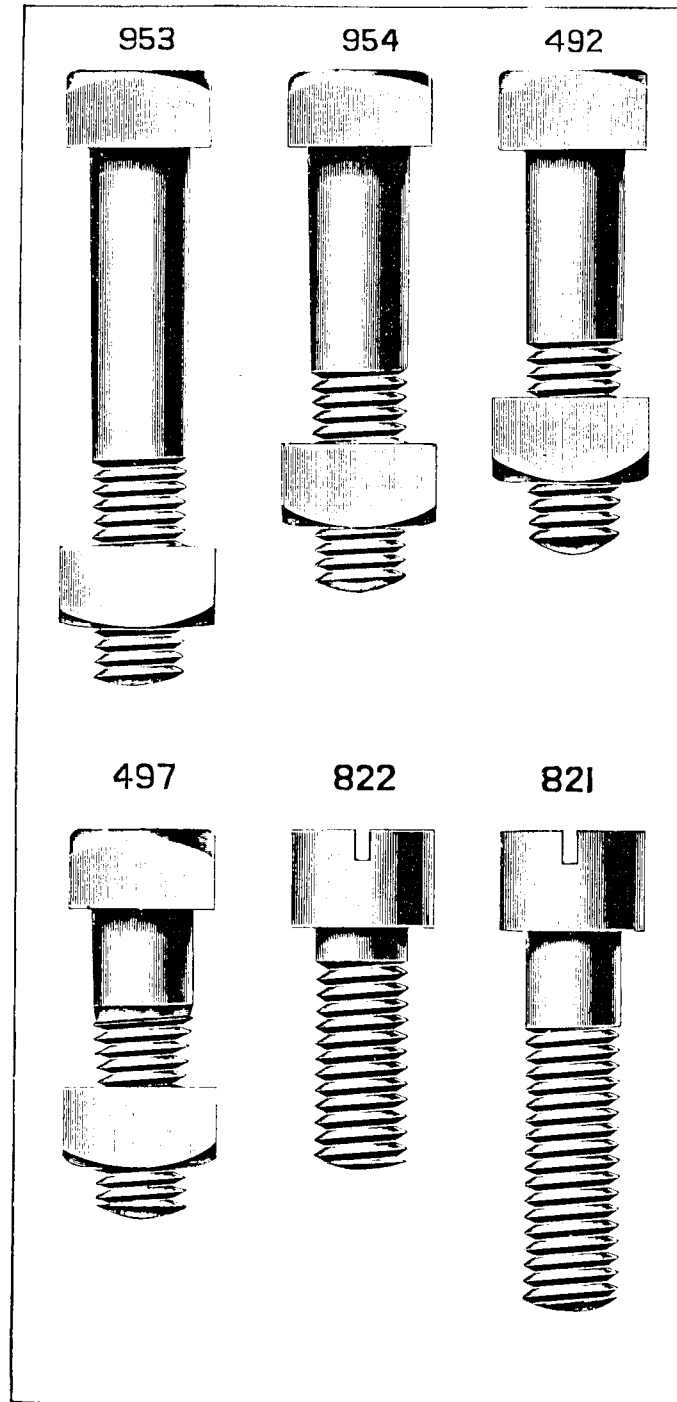


PLATE 1061—FULL SIZE

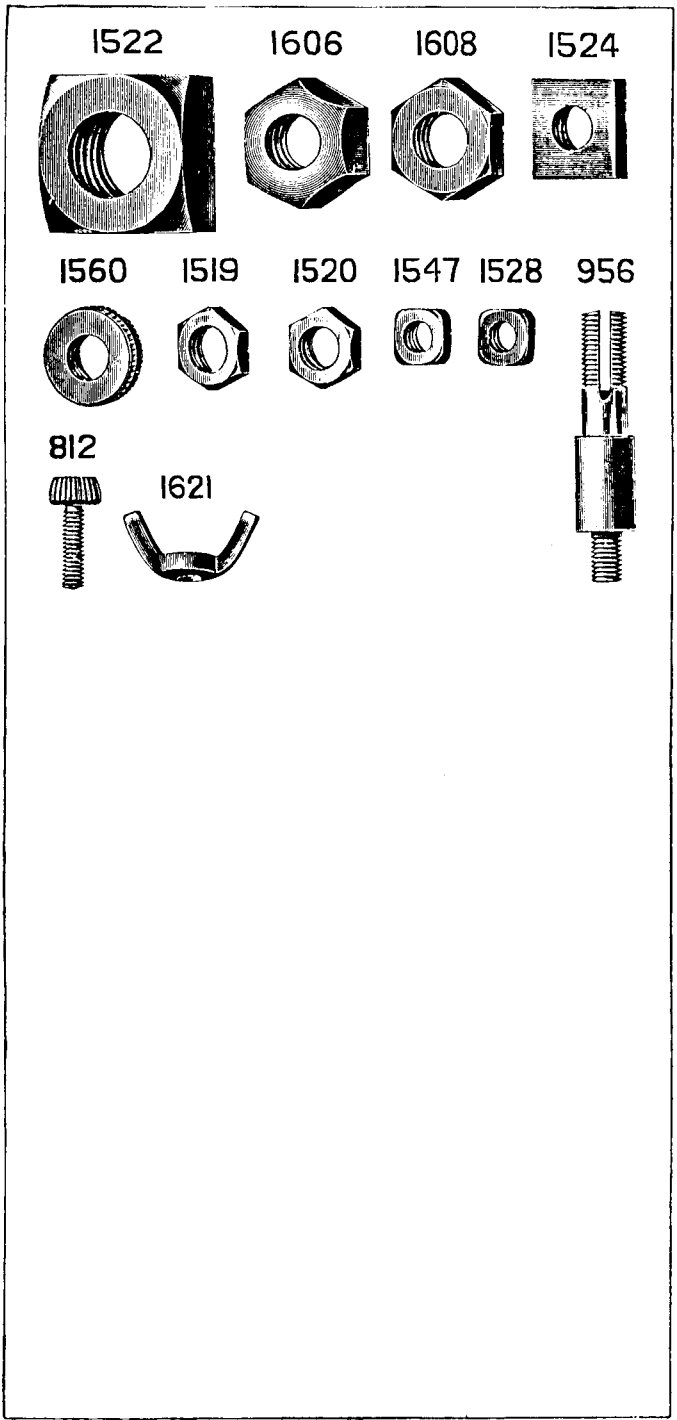


PLATE 1064—FULL SIZE

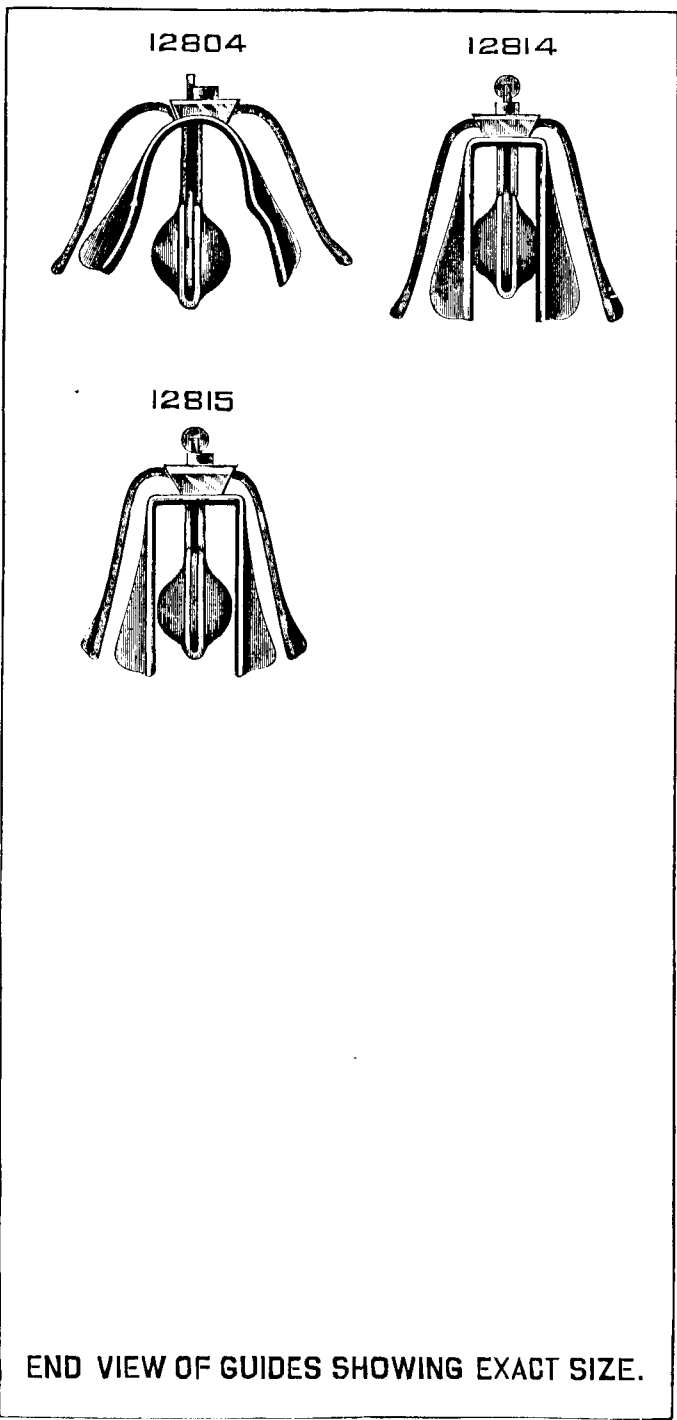


PLATE 1071—FULL SIZE

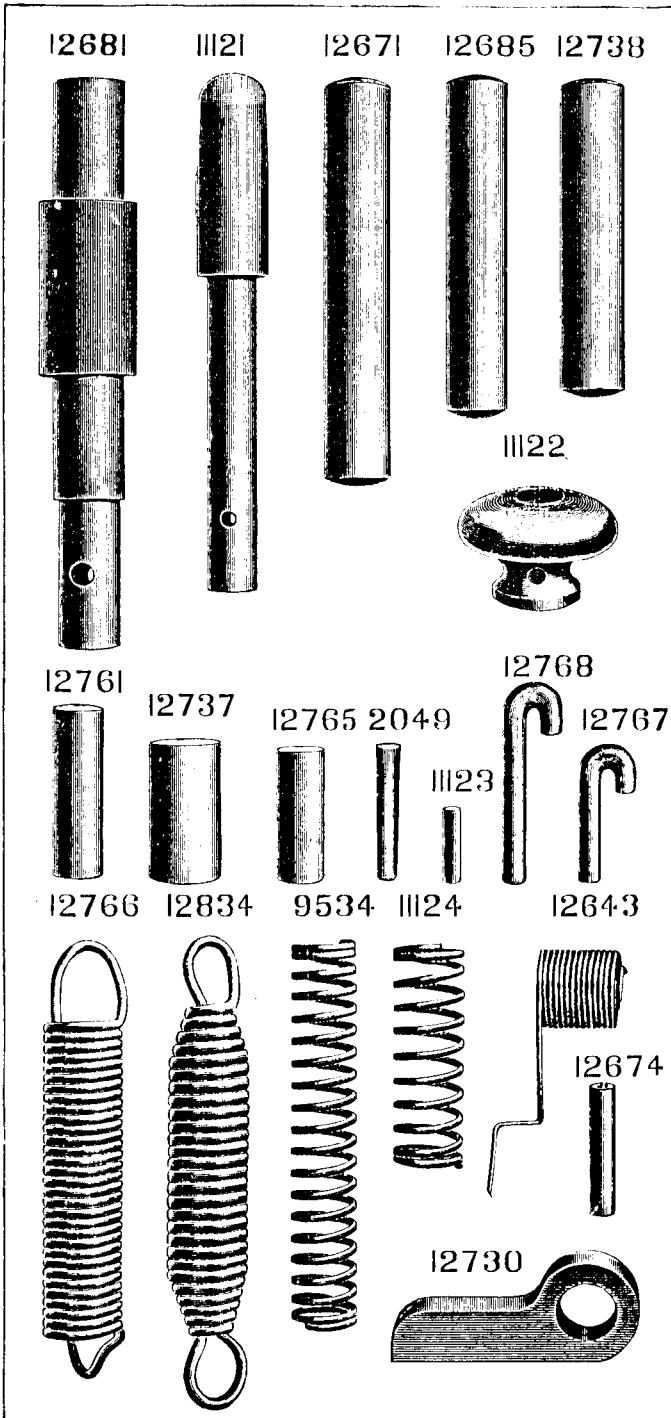


PLATE 1072—FULL SIZE

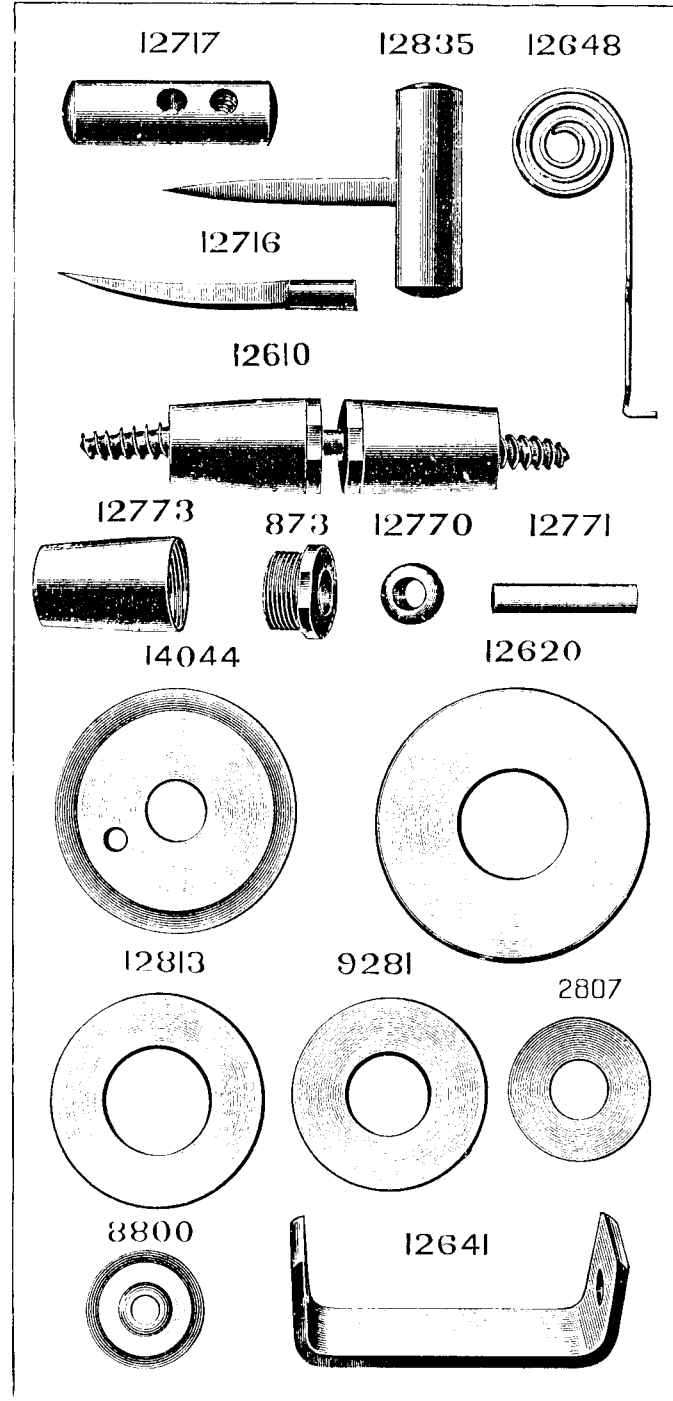


PLATE 1073—ONE-HALF SIZE

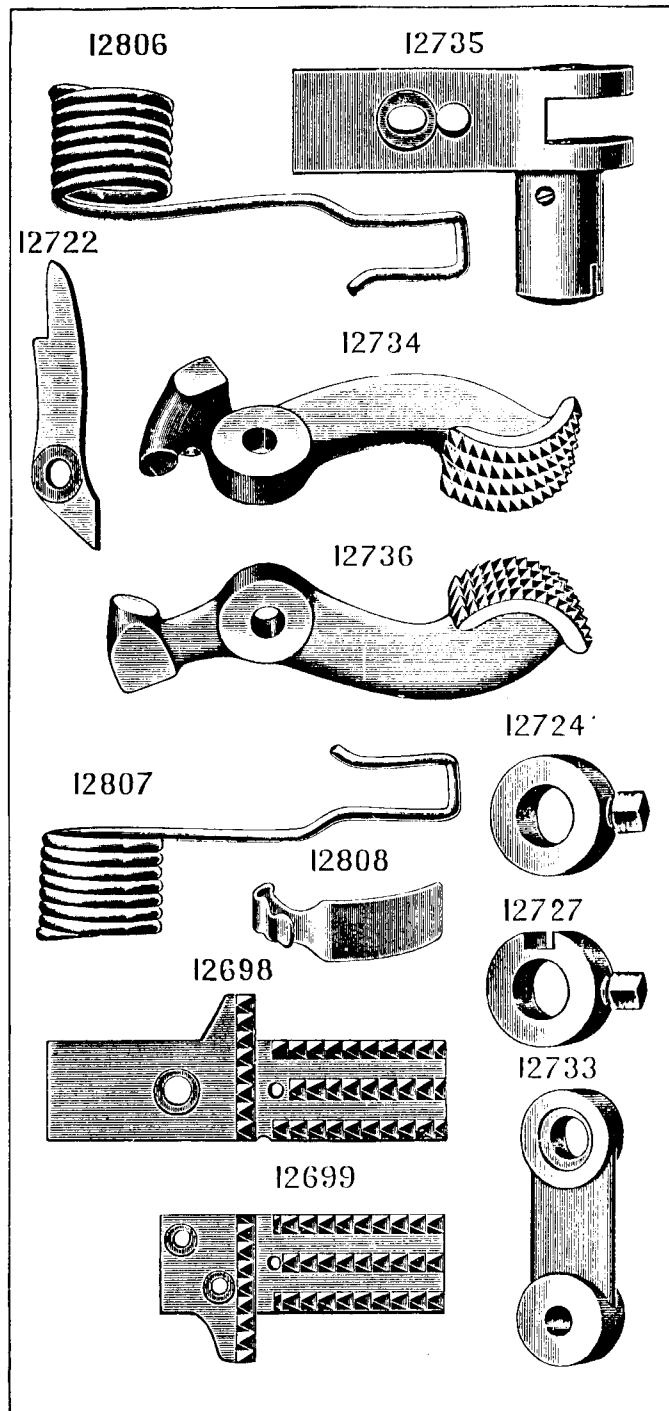


PLATE 1075—ONE-HALF SIZE

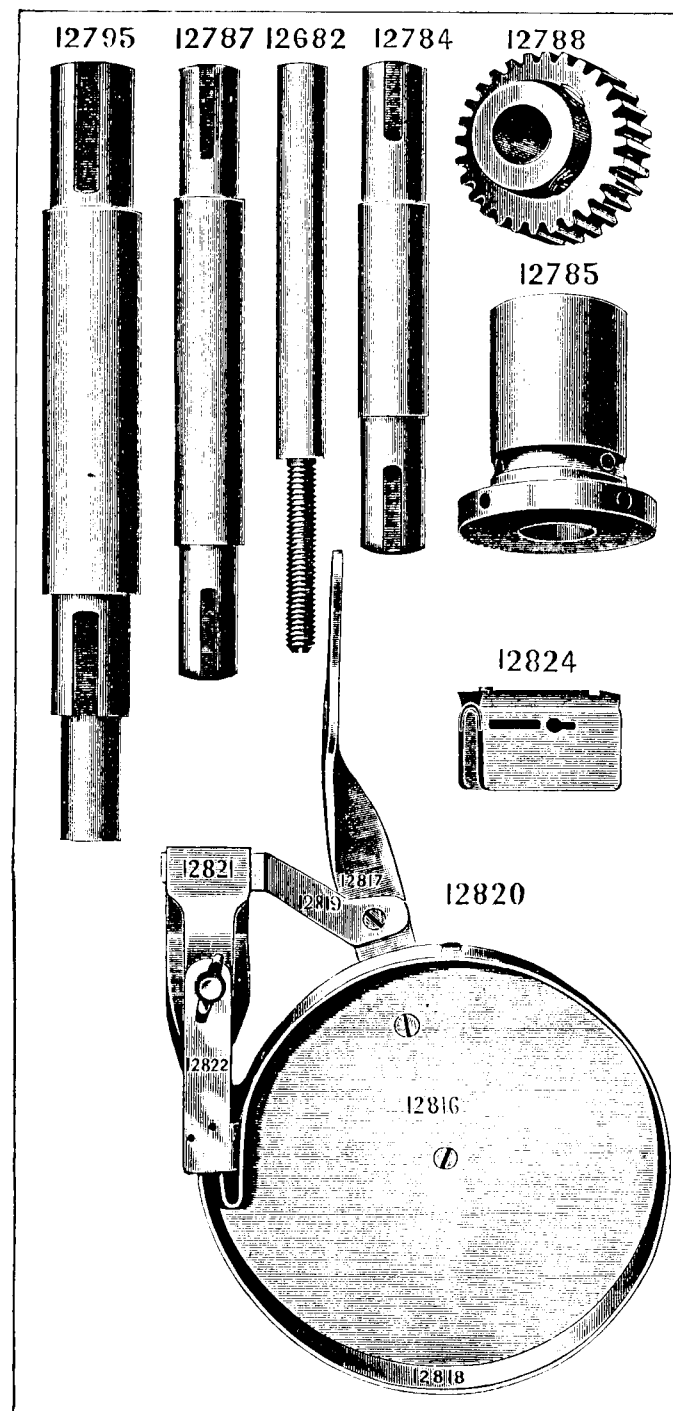


PLATE 1076—ONE-FOURTH SIZE

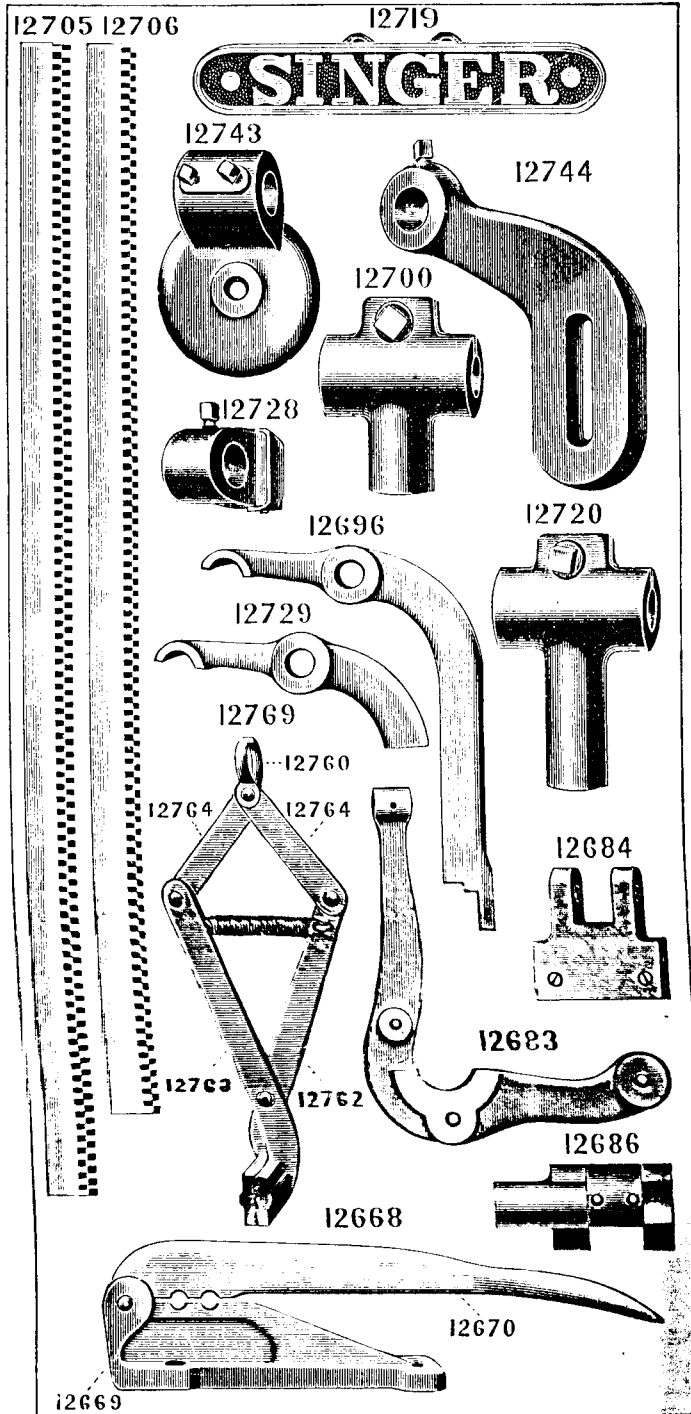


PLATE 1077—ONE-EIGHTH SIZE

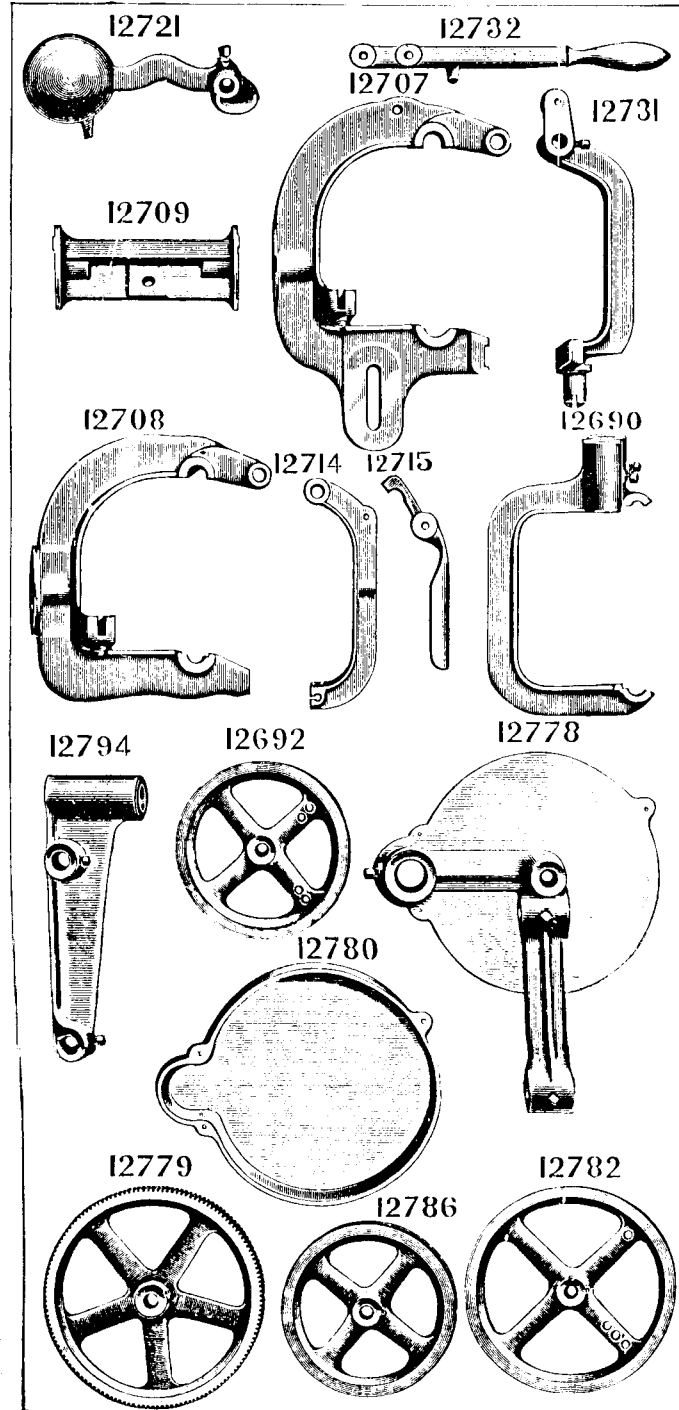


PLATE 1078—ONE-EIGHTH SIZE

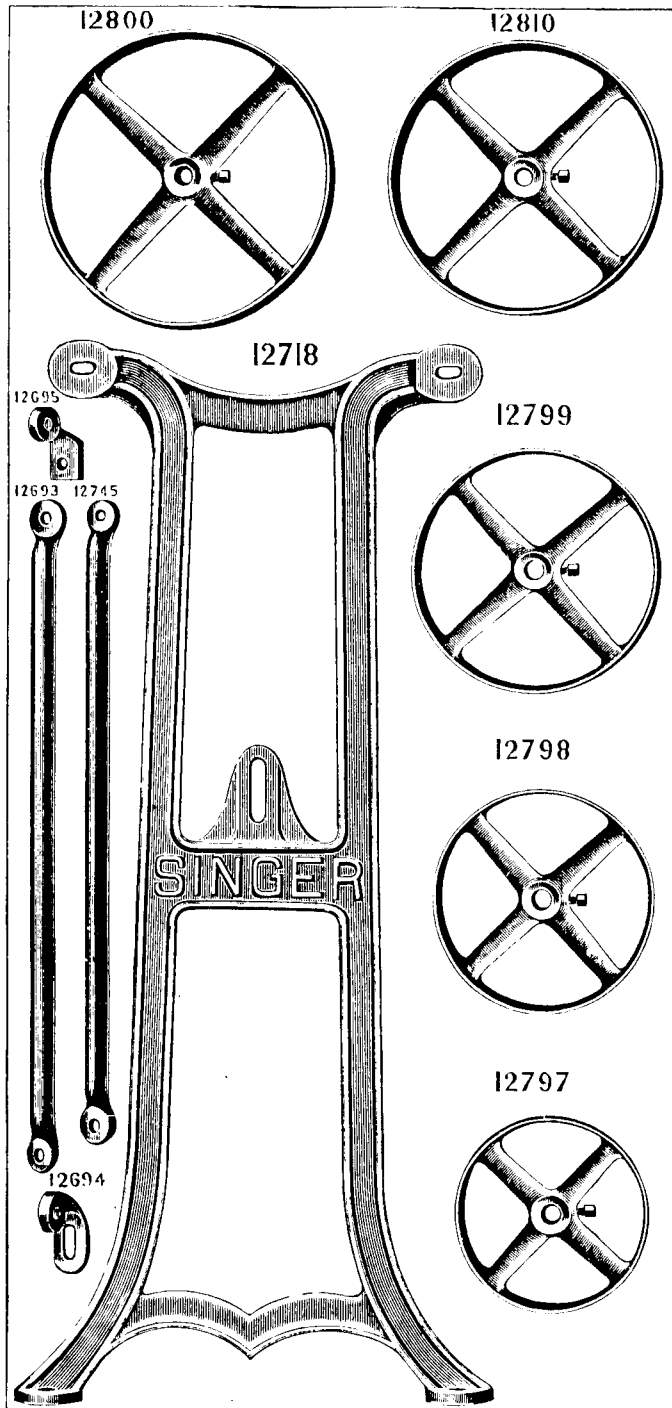


PLATE 1079—ONE-EIGHTH SIZE

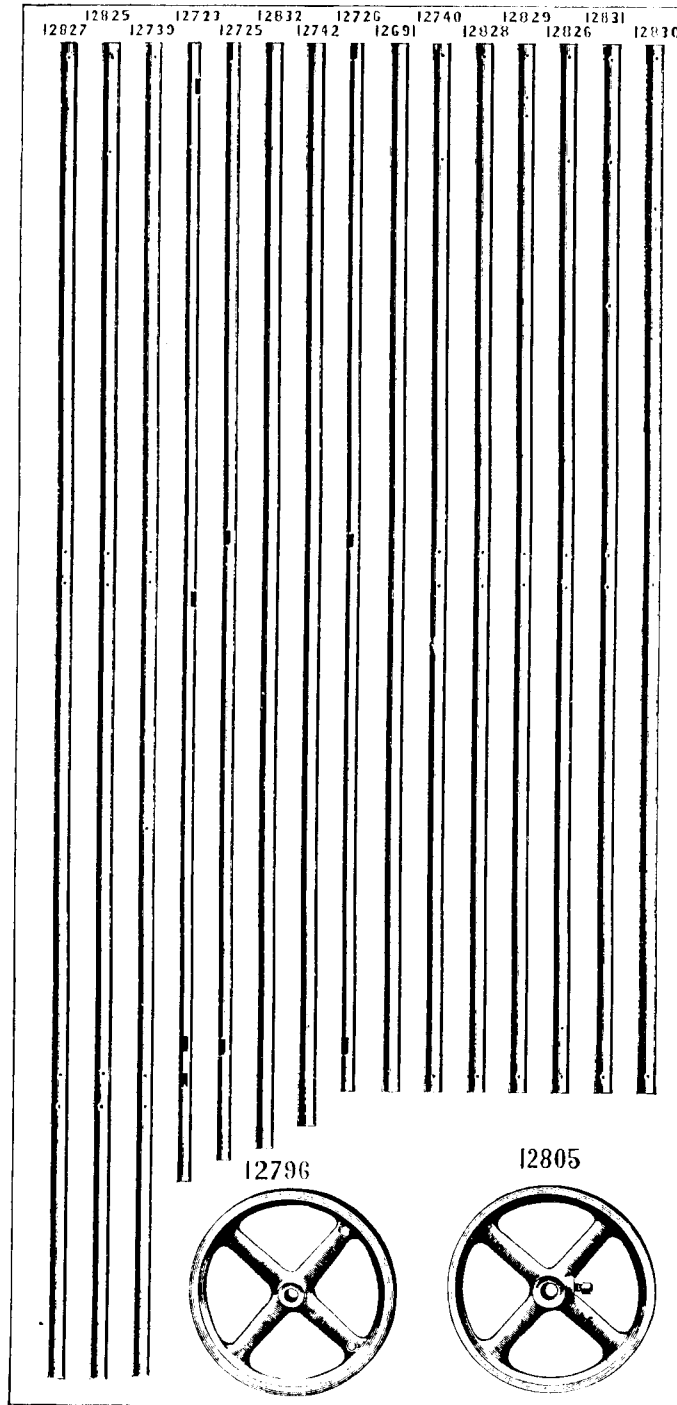


PLATE 1080—ONE-EIGHTH SIZE

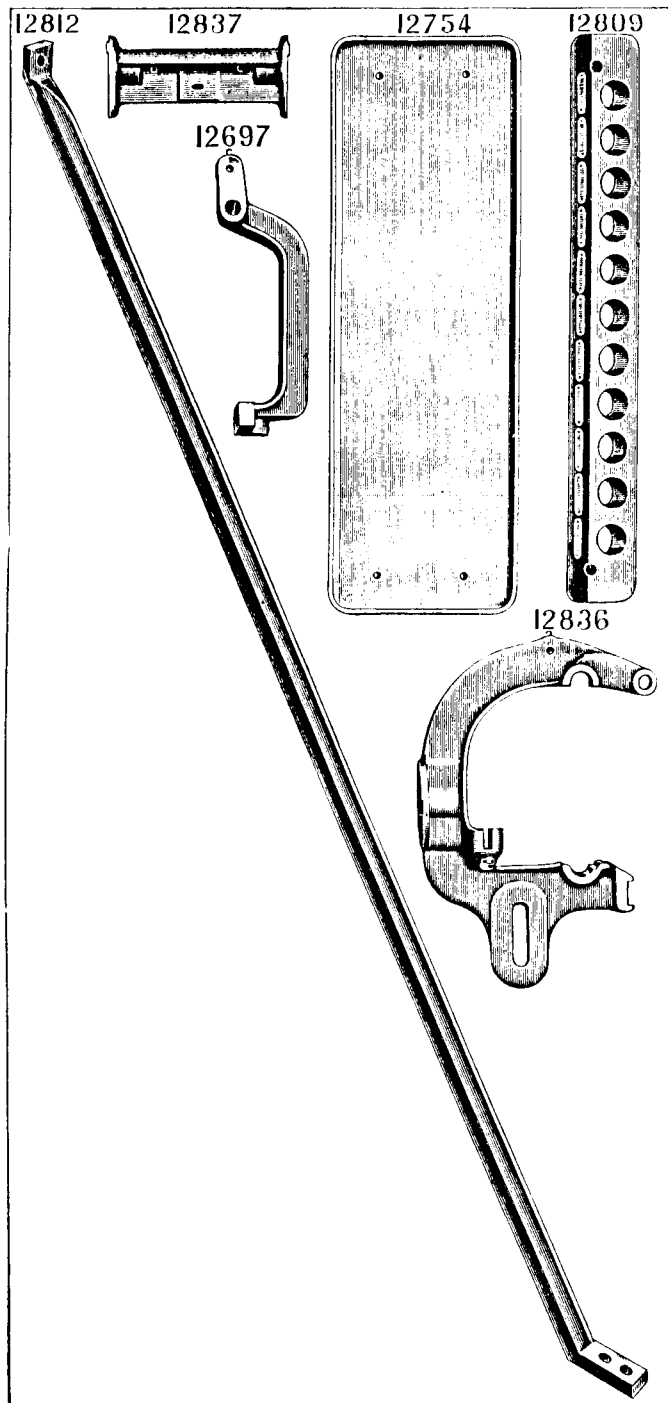


PLATE 1083—FULL SIZE

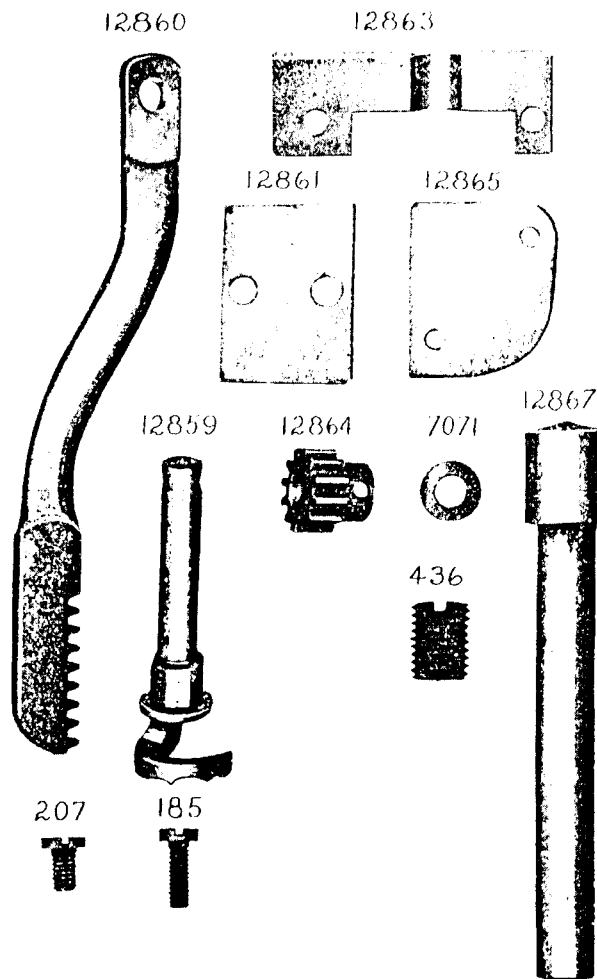


PLATE 1086—FULL SIZE

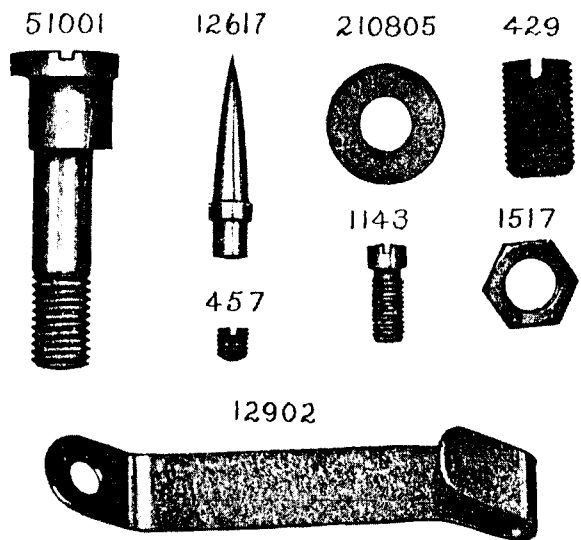


PLATE 1087—ONE-HALF SIZE

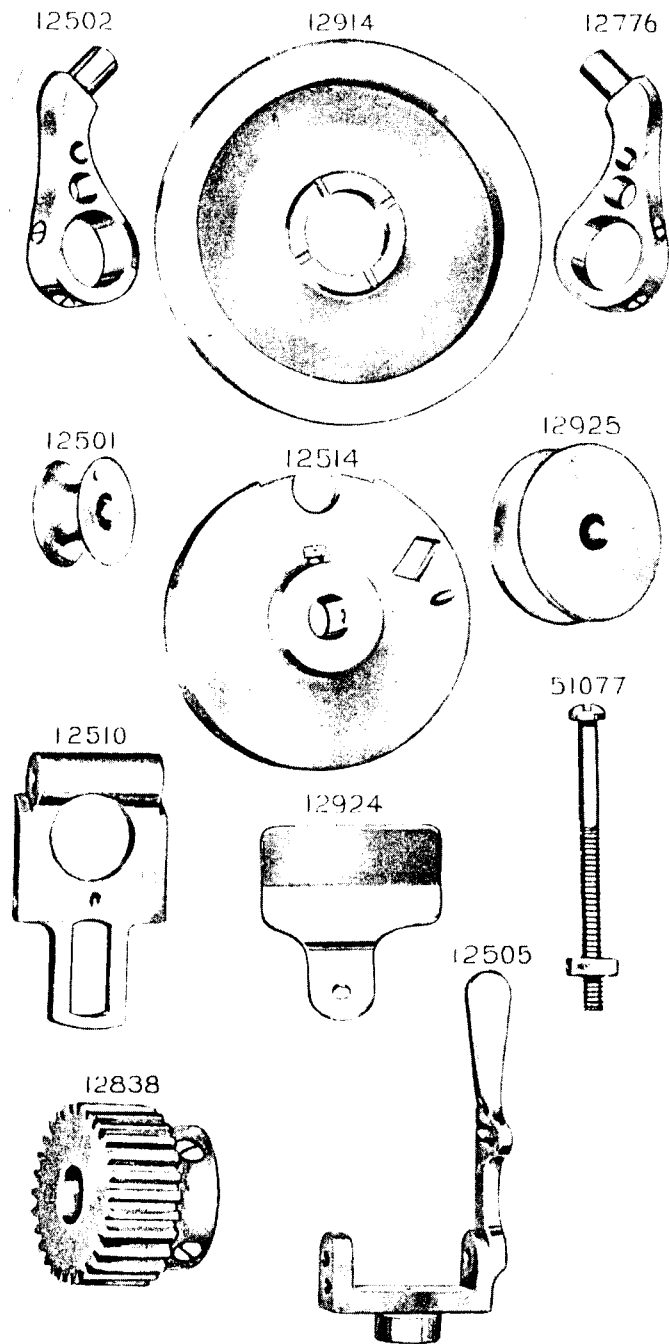


PLATE 1088—FULL SIZE

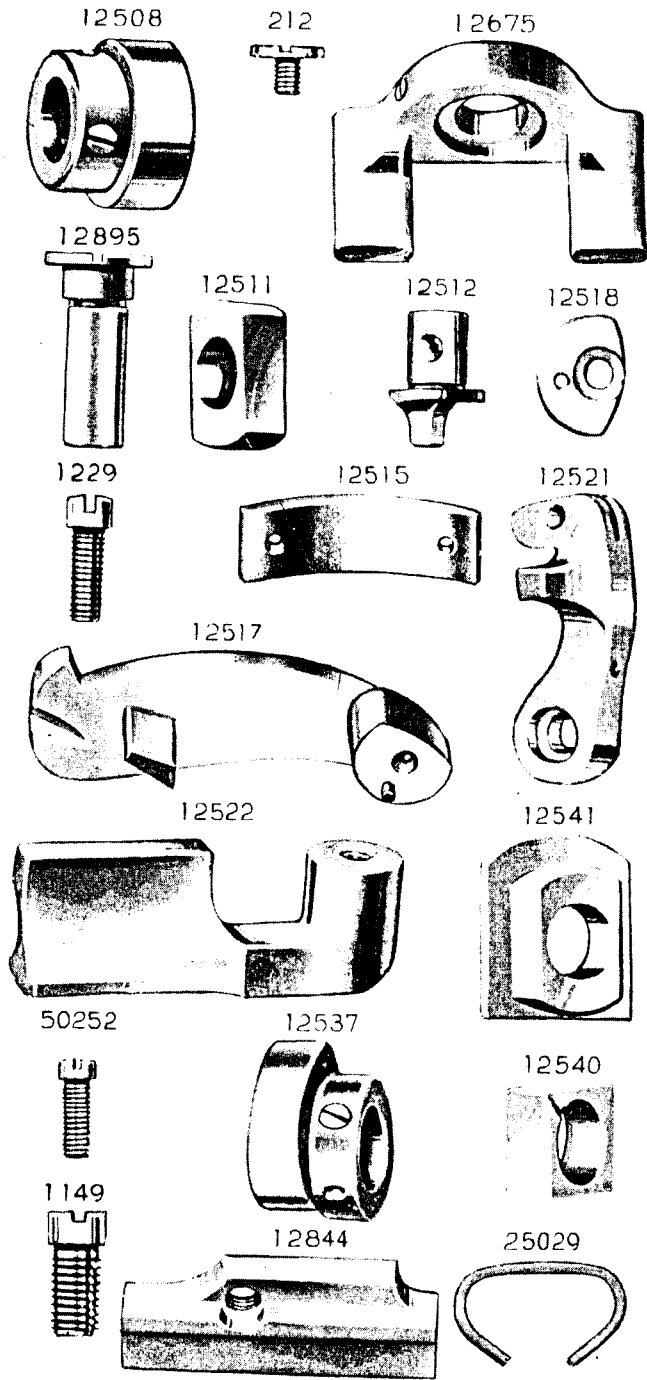


PLATE 1089—ONE-HALF SIZE

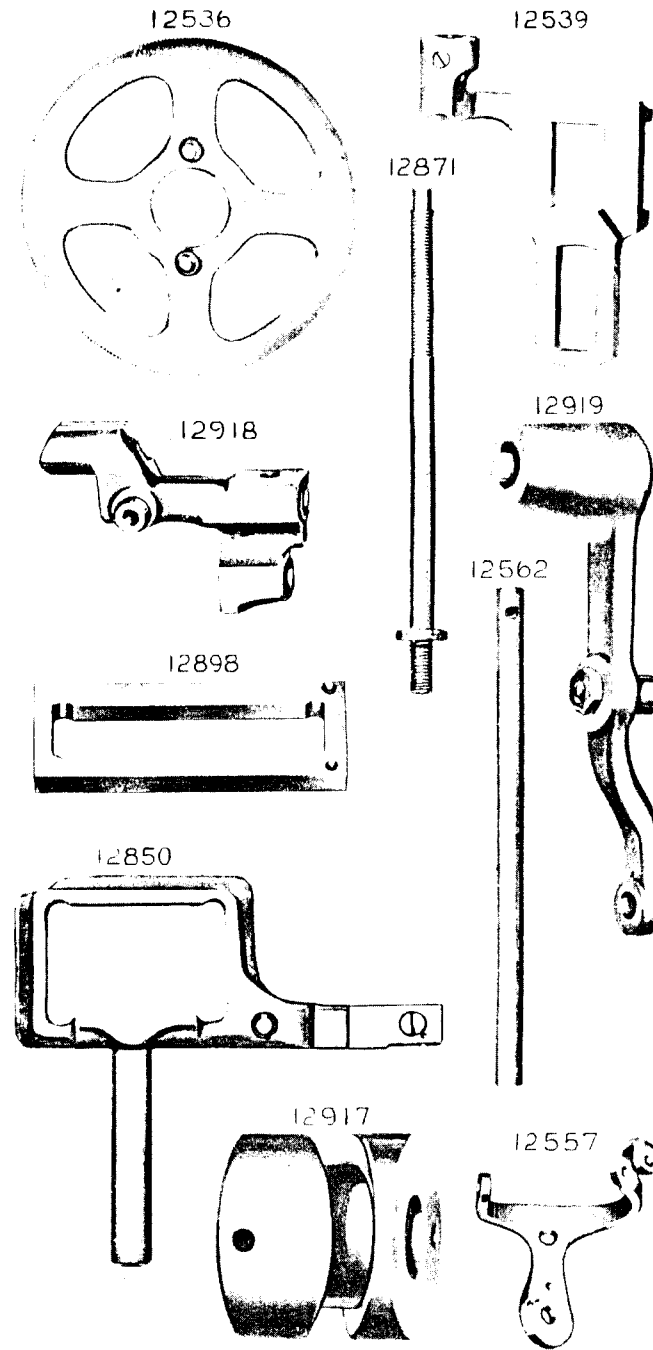


PLATE 1090—FULL SIZE

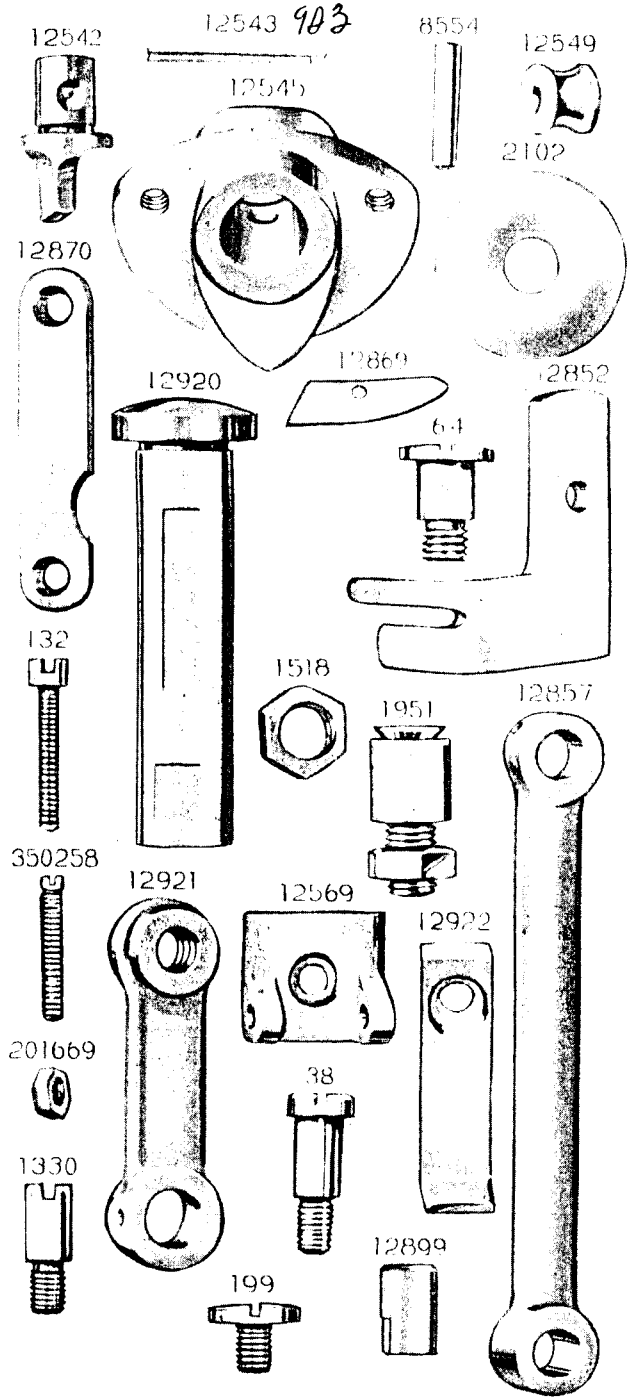


PLATE 1091—ONE-HALF SIZE

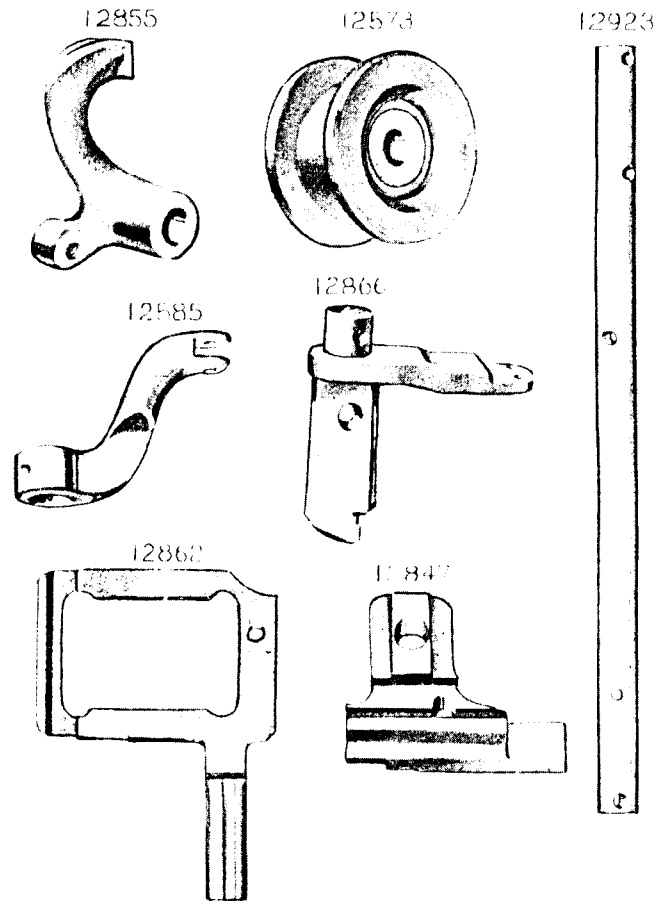


PLATE 1092—FULL SIZE

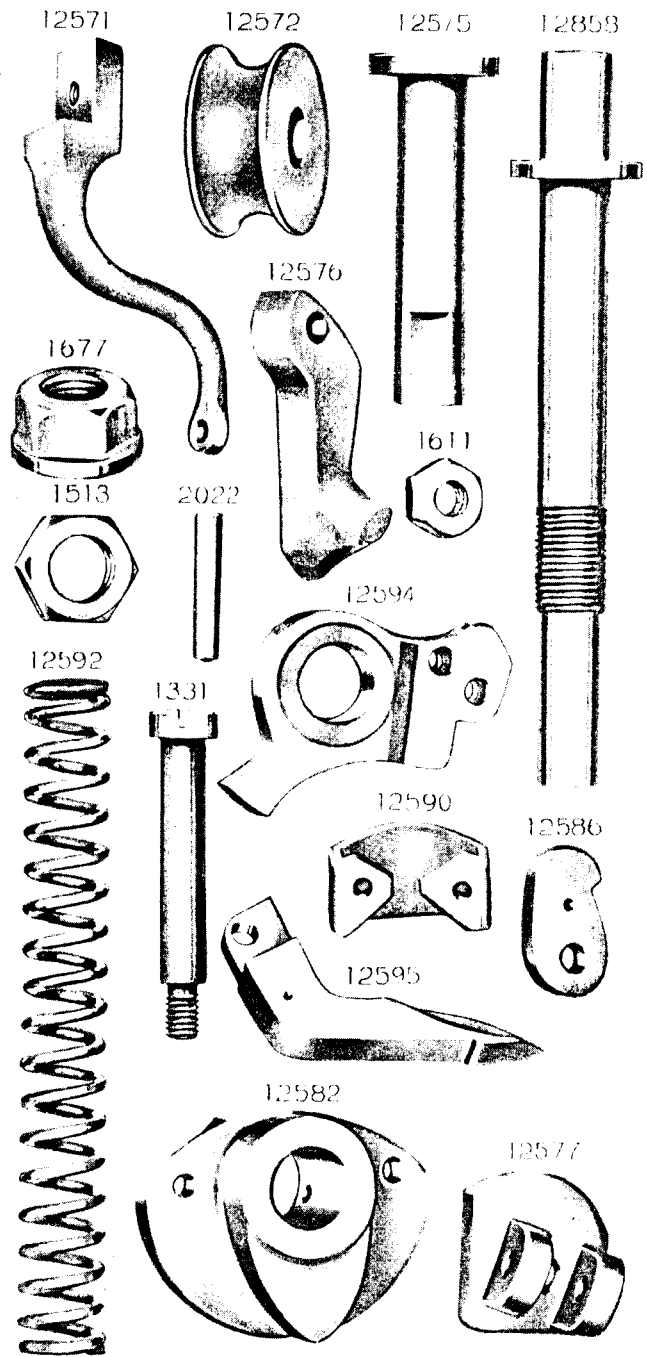


PLATE 1093—ONE-HALF SIZE

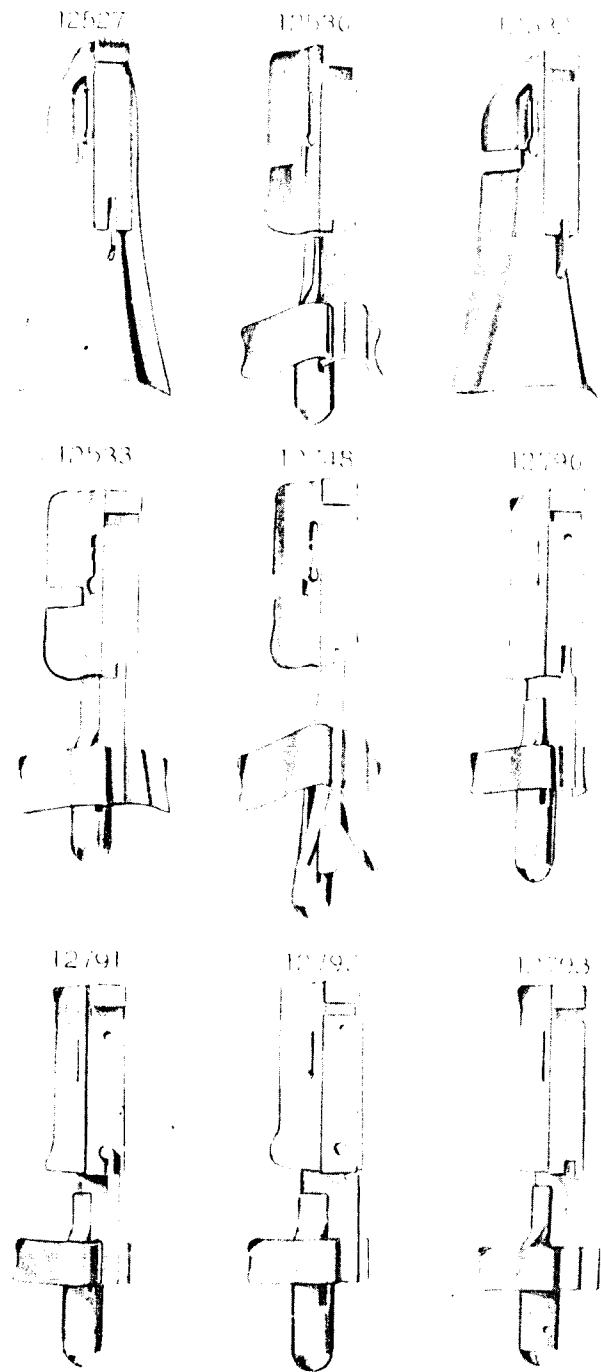


PLATE 1094—ONE-HALF SIZE

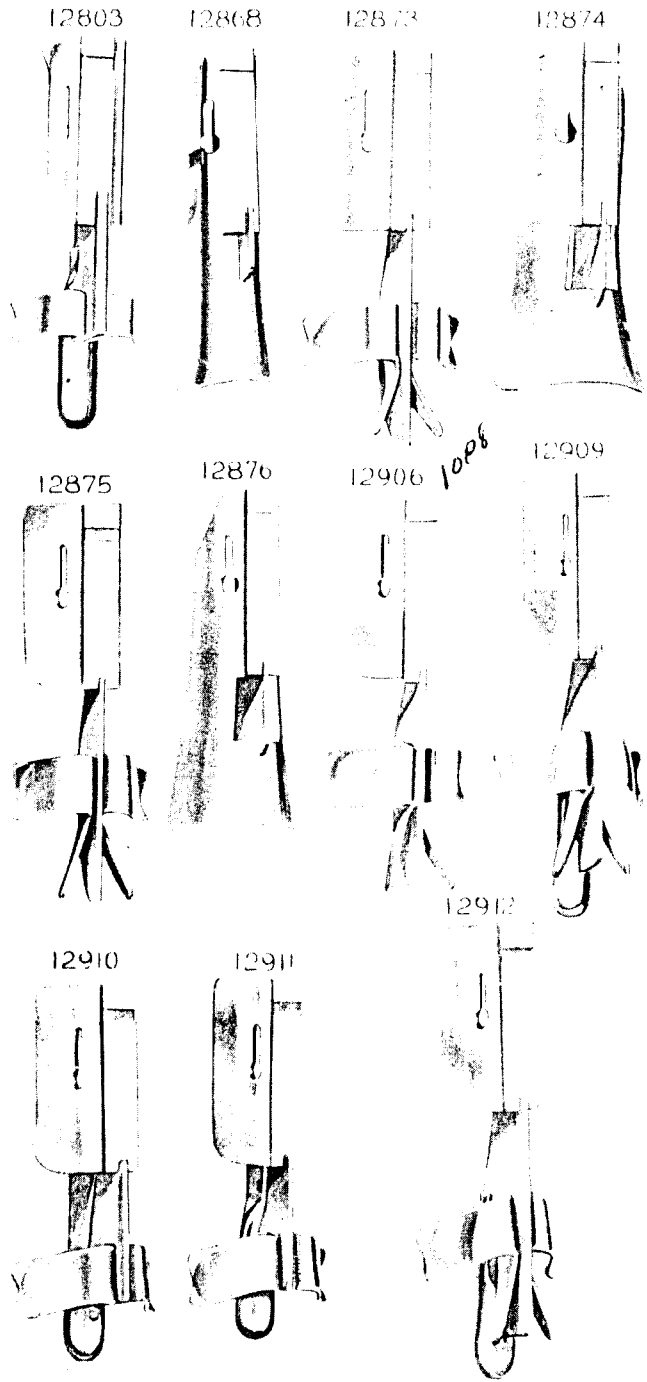


PLATE 1095—ONE-HALF SIZE

