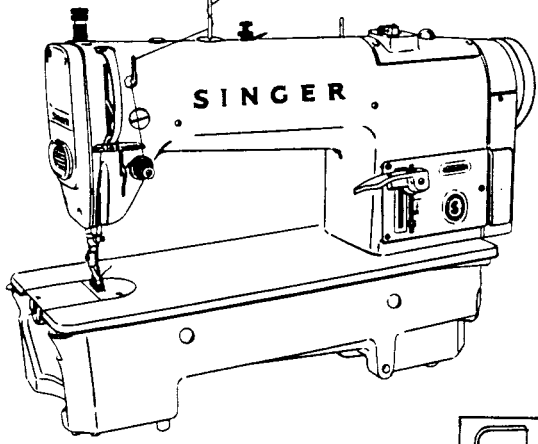


SINGER
336K105,K106,K205

MACHINE PARTS CHART
for
SINGER*

366K105 366K106
and 366K205

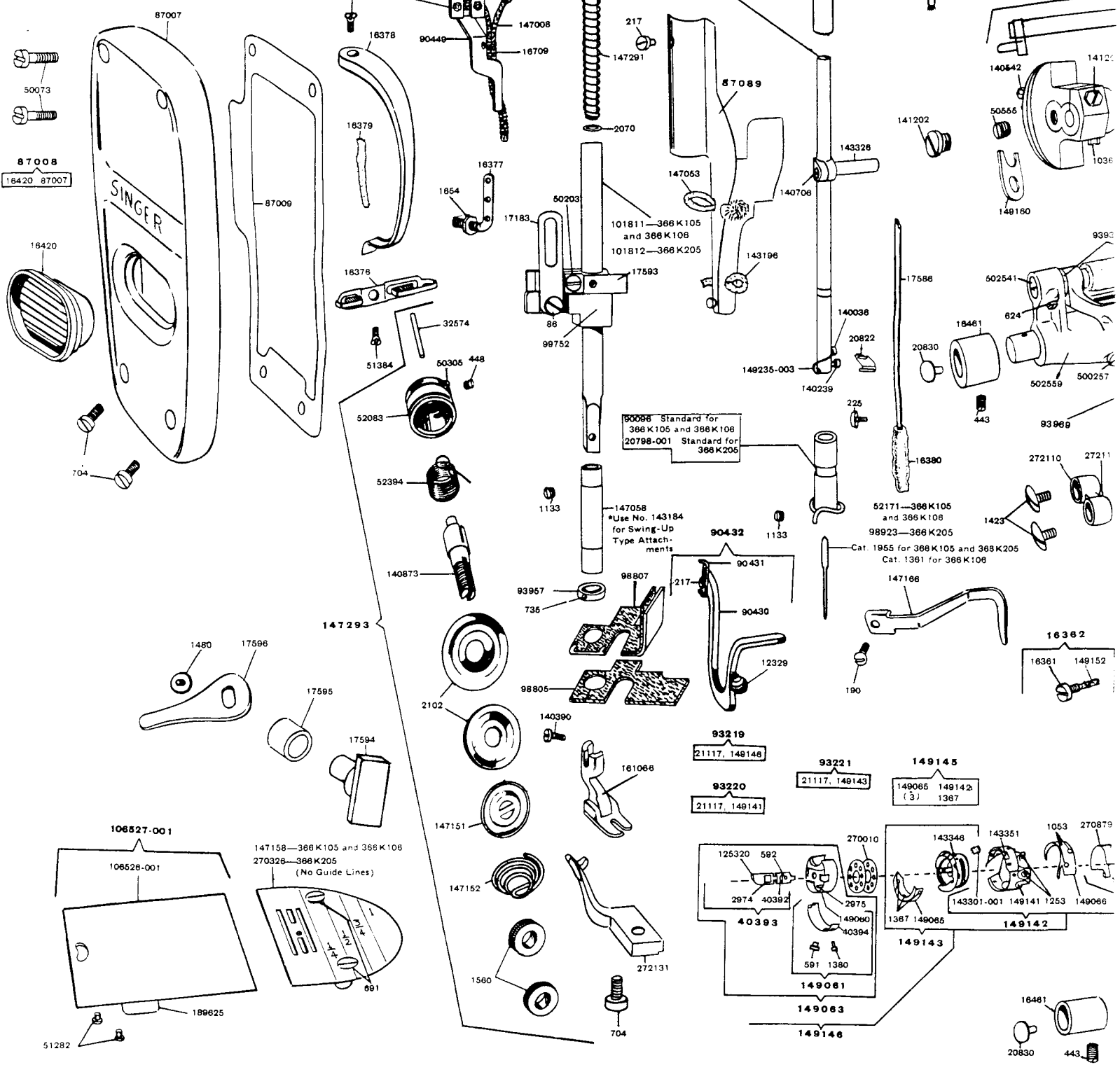


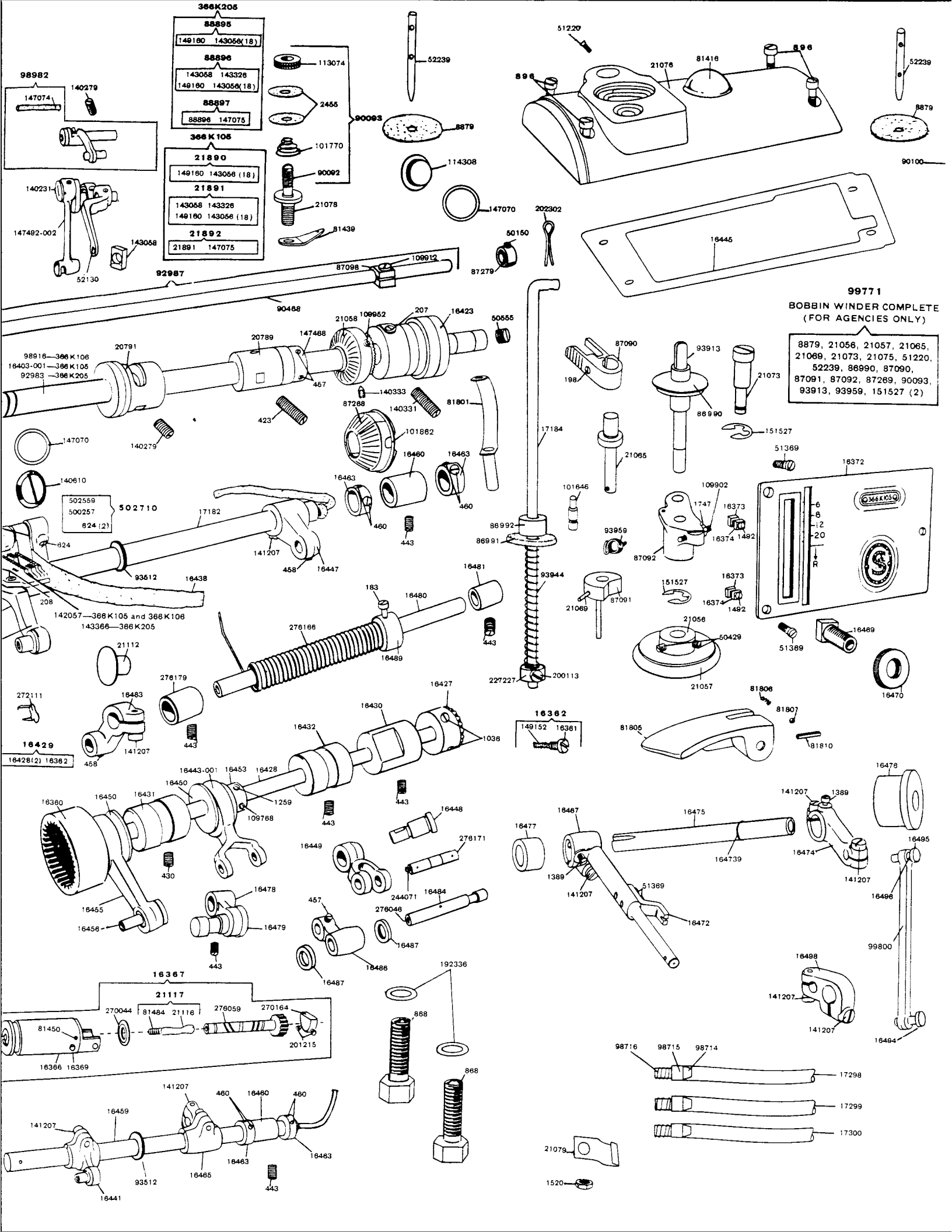
SINGER

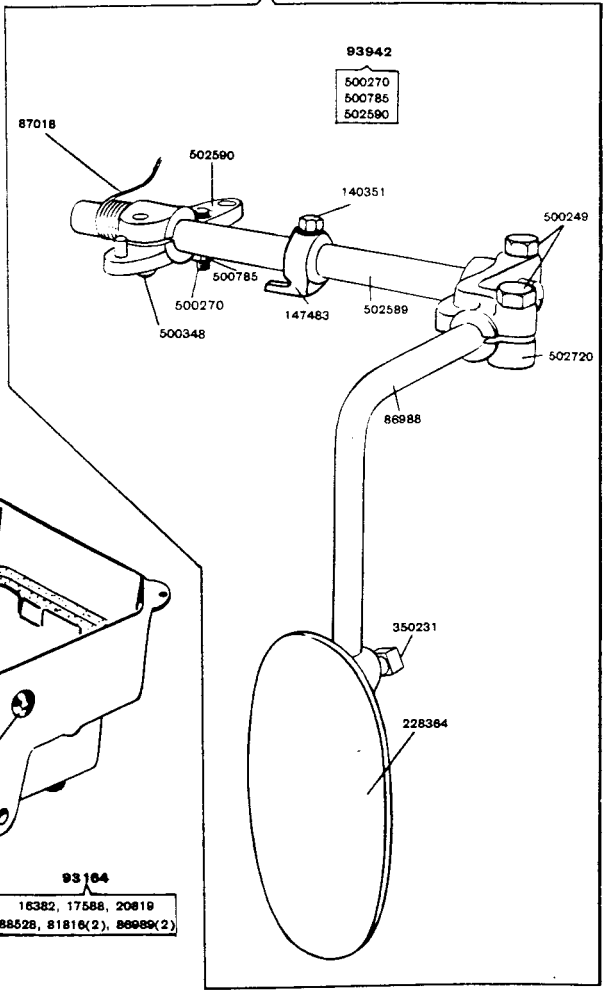
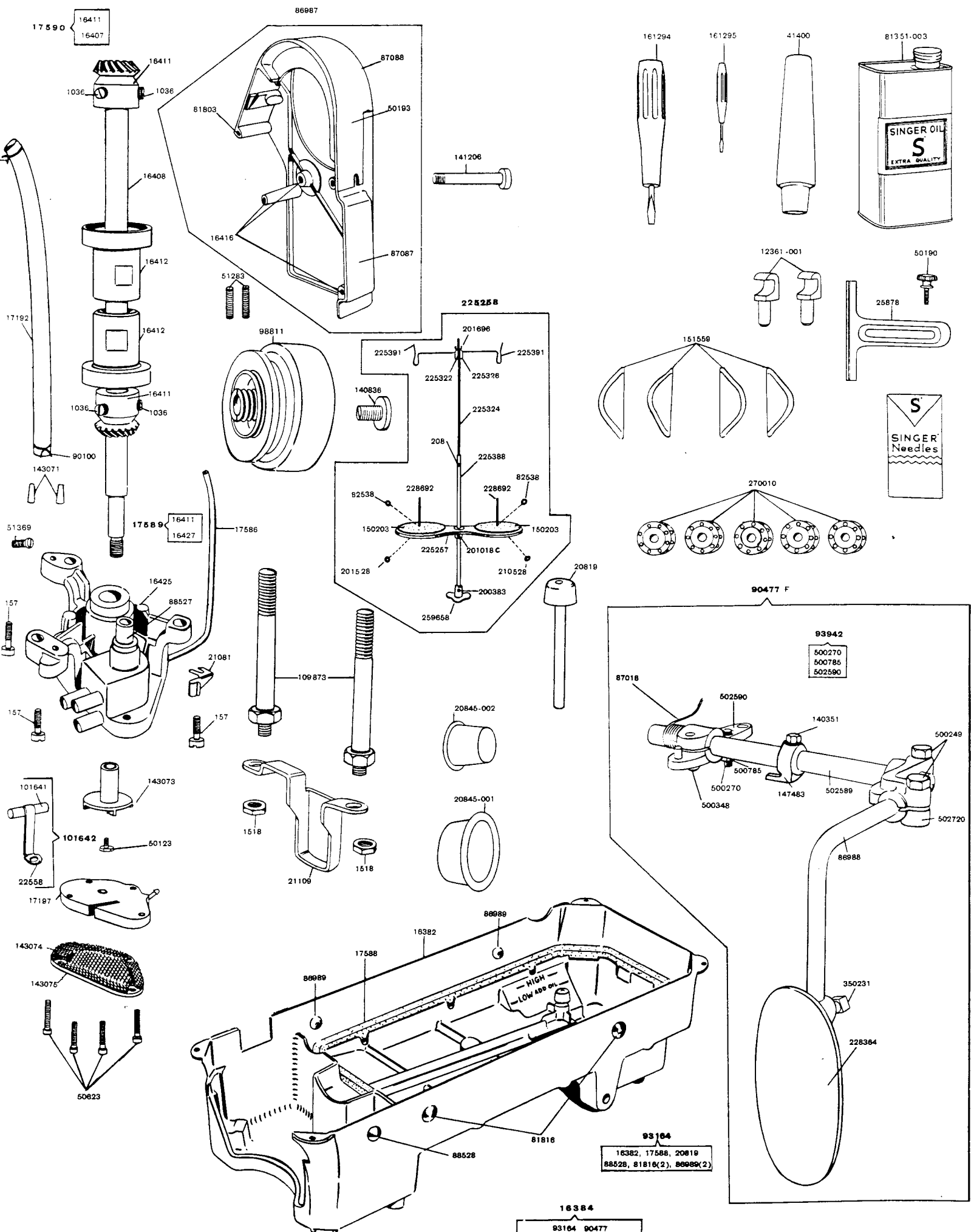
366K105 366K106 and 366K205

366K106 Machine

366K105
90439
140237
143056 (1E)
147492-00
98920
90439
143056 (1E)
143326
149180
98921
93982
98920







16384
 93164 90477

LIST OF PARTS FOR 366K105 366K106 AND 366K205 MACHINES

Part No.	Description	Part No.	Description
86(830)	Knee Lifter Lifting Link Hinge Screw	1520	Oil Tube Retaining Clamp Screw Nut (Assembled to Rotating Hook Driving Shaft Bushing (front) Set Screw)
157(805)	Oil Pump (centrifugal) Body Screw	1560(803)	Tension Regulating Thumb Nut
157(805)	Oil Pump (centrifugal) Body and Oil Return Tube Retaining Clamp Screw	1560(803)	Tension Regulating Thumb Nut Lock Nut
183(806)	Feed Regulator and Feed Reversing Shaft Spring Adjusting Collar Set Screw	1654	Thread Retainer Nut
190(805)	Slack Thread Regulator Screw	1747	Bobbin Winder Spindle Positioning Bracket Adjusting Nut
198(809)	Bobbin Winder Spindle Engaging Lever Set Screw	2070	Presser Bar Spring Washer
207(805)	Arm Shaft (horizontal) Flanged Bushing (back) Oil Sump Tube Holder Screw	2102	Tension Disc
208(830)	Feed Dog Screw	2455	Bobbin Winder Thread Tension Disc
208(830)	Thread Unwinder Thread Guide Rod Screw	2974	Rotating Hook Bobbin Case Latch Lever Fulcrum Pin
217(805)	Thread Take-up Lever Oil Guard Screw	2975	Rotating Hook Bobbin Case Latch Spring
217(809)	Arm Side Shield Screw	8879	Arm Spool Pin Washer (cloth)
217(833)	Tension Releasing Lever (adjustable) Screw	8879	Bobbin Winder Spool Pin and Thread Eyelet Washer (cloth)
225(805)	Oil Return Tube Retaining Clamp (cavity end) Screw	8908	Wrench (accessories) (not illustrated)
423(830)	Arm Shaft (horizontal) Bushing (centre) Set Screw	12329	Tension Releasing Lever Spring
430(830)	Rotating Hook Driving Shaft Bushing (front) Set Screw	12361-001	Machine Hinge Connection (accessories)
443(830)	Feed Lifting Rock Shaft Bushing (back) Set Screw	12990	Needle Bar Bushing (upper)
443(830)	Feed Lifting Rock Shaft Bushing (front) Set Screw	16360	Rotating Hook Driving Shaft Gear and Feed Lifting Eccentric (internal teeth) with 457(830) and 1125(830)
443(830)	Feed Regulator and Feed Reversing Mechanism Support Stud Set Screw	16361	Rotating Hook Driving Shaft Oil Filter Wick Holder
443(830)	Feed Regulator and Feed Reversing Shaft Bushing (back) Set Screw	16362	Rotating Hook Driving Shaft Oil Filter Wick Holder 16361 with 149152
443(830)	Feed Regulator and Feed Reversing Shaft Bushing (front) Set Screw	16366	Rotating Hook Shaft Bushing
443(830)	Feed Rock Shaft Bushing (back) Set Screw	16367	Rotating Hook Shaft Bushing complete
443(830)	Feed Rock Shaft Bushing (back) Set Screw	16369	Rotating Hook Shaft Oil Regulating Screw
443(830)	Feed Rock Shaft Bushing (front) Set Screw	16372	Stitch Indicator Plate and Cover
443(830)	Rotating Hook Driving Shaft Bushing (back) Set Screw	16373	Stitch Indicator Stop Plate (adjustable, back)
443(830)	Rotating Hook Driving Shaft Bushing (intermediate) Set Screw	16374	Stitch Indicator Stop Plate (adjustable, front)
443(830)	Rotating Hook Shaft Bushing Set Screw	16376	Thread Eyelet and Thread Guard (front of arm)
448(830)	Thread Take-up Spring Regulator Set Screw	16377	Thread Retainer
457(830)	Arm Shaft (horizontal) Thrust Collar Set Screw	16378	Thread Take-up Lever Guard
457(830)	Feed Driving Connection Link Hinge Pin Set Screw	16379	Thread Take-up Lever Guard Oil Return Felt
458(830)	Feed Driving Connection Crank Hinge Stud Set Screw	16380	Oil Return Tube Lint Screen and Needle Bar and Presser Bar Bushing Wick
458(830)	Feed Regulator and Feed Reversing Shaft Crank Hinge Stud Set Screw	16382	Machine Base and Oil Reservoir
460(830)	Feed Lifting Rock Shaft Collar Set Screw	16384	Machine Base and Oil Reservoir with Knee Lifter complete (not illustrated)
460(830)	Feed Rock Shaft Collar Set Screw	16403-001	Arm Shaft (horizontal) with 1036(830), 140542(830), 140609(830), 141202(805) and two 50555(805) for 366K105
591(806)	Rotating Hook Bobbin Case Tension Regulating Screw	* 16407	Arm Shaft (horizontal) Bevel Gear (right hand spiral) with 1036(830) and 140346(830)
592(805)	Rotating Hook Bobbin Case Latch Stop Screw	16408	Arm Shaft (upright)
624(833)	Feed Bar Hinge Pin (eccentric) Set Screw	* 16411	Arm Shaft (upright) Bevel Gear (lower, right hand spiral) with two 1036(830)
691(850)	Throat Plate Screw	* 16411	Arm Shaft (upright) Bevel Gear (upper, right hand spiral) with two 1036(830)
704(809)	Face Plate Screw	16412	Arm Shaft (upright) Bushing (lower)
704(809)	Rotating Hook Bobbin Case Holder Position Bracket Screw	16412	Arm Shaft (upright) Bushing (upper)
735(830)	Presser Bar Bushing Oil Retainer Collar Set Screw	16416	Belt Cover Bottom Half Rest Pad
868(805)	Arm Screw (front)	16420	Face Plate Plug
896(809)	Arm Top Cover Screw	* NOTE:-	To ensure proper functioning of Gears No. 16407, 16411 and 16427 will not be supplied separately, but will be substituted by pair of Gears 17589 (for lower shaft) and 17590 (for upper shaft)
1036(830)	Arm Shaft (upright) Bevel Gear (lower) Set Screw	16423	Arm Shaft (horizontal) Flanged Bushing (back)
1036(830)	Arm Shaft (upright) Bevel Gear (upper) Set Screw	16425	Oil Pump (centrifugal) Body
1036(830)	Rotating Hook Driving Shaft Bevel Gear Set Screw	* 16427	Rotating Hook Driving Shaft Bevel Gear with two 1036(830)
1036(830)	Thread Take-up Crank Set Screw	16428	Rotating Hook Driving Shaft
1053(805)	Rotating Hook Thread Guard Screw	16429	Rotating Hook Driving Shaft 16428 with two 16362
1125(830)	Rotating Hook Driving Shaft Gear and Feed Lifting Eccentric Position Screw (not illustrated)	16430	Rotating Hook Driving Shaft Bushing (back)
1133(805)	Belt Cover Screw Hole Plug Screw	16431	Rotating Hook Driving Shaft Bushing (front)
1133(805)	Needle Bar Bushing (lower) Set Screw	16432	Rotating Hook Driving Shaft Bushing (intermediate)
1133(805)	Needle Bar Bushing (upper) Set Screw	16438	Feed Bar Hinge Pin (eccentric) Lubricating Felt with 21112
1133(830)	Presser Bar Bushing Set Screw	16441	Feed Bar Lifting Crank with 141207(805)
1253(830)	Rotating Hook Set Screw	16443-001	Feed Driving Connection
1259(830)	Feed Eccentric Set Screw	16445	Arm Top Cover Gasket
1367(805)	Rotating Hook Section Screw	16447	Feed Driving Connection Crank with 458(830) and 141207(805)
1380(805)	Rotating Hook Bobbin Case Tension Spring Screw	16448	Feed Driving Connection Crank Hinge Stud
1389(805)	Feed Regulator Lever and Feed Reversing Crank Positioning Screw	16449	Feed Driving Connection Link
1389(830)	Feed Regulator and Reversing Lever Positioning Screw	16450	Feed Driving Connection Sleeve Bearing Wearing Disc
1423(803)	Feed Bar Connecting Link Cap Screw	16450	Feed Lifting Connection Sleeve Bearing Wearing Disc
1480(830)	Presser Bar Lifting Stud Bushing Set Screw	16453	Feed Eccentric with 1259(830) and 109768(830)
1492(809)	Stitch Indicator Stop Plate (adjustable, back and front) Clamping Screw	16455	Feed Lifting Connection
1518(809)	Bed Leg (back) Nut	16456	Feed Lifting Connection Hinge Stud
		16459	Feed Lifting Rock Shaft with 20830

LIST OF PARTS FOR 366K105 366K106 AND 366K205 MACHINES

Part No.	Description	Part No.	Description
16460	Feed Lifting Rock Shaft Bushing (back)	21069	Bobbin Winder Spindle Engaging Lever Stud
16460	Feed Rock Shaft Bushing (back)		Cam Pin (spirol)
16461	Feed Lifting Rock Shaft Bushing (front)	21073	Bobbin Winder Spindle Positioning Bracket
16461	Feed Rock Shaft Bushing (front)		Stud
16463	Feed Lifting Rock Shaft Collar with two 460(830)	21076	Arm Top Cover
16463	Feed Rock Shaft Collar with two 460(830)	21077	Arm Top Cover complete (not illustrated)
16465	Feed Lifting Rock Shaft Crank with two 141207(805)	21079	Oil Tube (for oiling Rotating Hook and Hook Shaft Bearings) Retaining Clamp
16467	Feed Regulator and Reversing Lever with 1389(830) and 141207(805)	21081	Oil Return Tube (from needle head cavity to pump cover) Retaining Clamp (pump end)
16468	Feed Regulator and Reversing Lever 16467 with 16469, 16470, 16472, 81805 to 81807, 81810 and two 51369(819) (not illustrated)	21109	Bed Leg (back)
16469	Feed Regulator and Reversing Lever Handle Slide	21112	Feed Bar Hinge Pin (eccentric) Lubricating Felt Retaining Plug
16470	Feed Regulator and Reversing Lever Handle Thumb Nut	21116	Rotating Hook Shaft Oil Filter Wick
16472	Stitch Indicator	21117	Rotating Hook Shaft Oil Filter Wick Holder complete 21116 with 81484
16474	Feed Regulator Lever and Feed Reversing Crank with 1389(805) and two 141207(805)	22558	Magnet Retaining Clamp
16475	Feed Regulator Lever and Feed Reversing Crank Hinge Pin	25878	Guide (accessories)
16476	Feed Regulator Lever and Feed Reversing Crank Hinge Pin Bushing (back)	32574	Tension Releasing Pin
16477	Feed Regulator Lever and Feed Reversing Crank Hinge Pin Bushing (front)	40392	Rotating Hook Bobbin Case Latch
16478	Feed Regulator and Feed Reversing Mechanism Support Link	40393	Rotating Hook Bobbin Case Latch Hinge Nos. 2974, 40392 and 125320
16479	Feed Regulator and Feed Reversing Mechanism Support Stud	40394	Rotating Hook Bobbin Case Tension Spring
16480	Feed Regulator and Feed Reversing Shaft	41400	Machine Rest Pin (wood) (accessories)
16481	Feed Regulator and Feed Reversing Shaft Bushing (back)	50073(809)	Face Plate Screw
16483	Feed Regulator and Feed Reversing Shaft Crank (front) with 458(830) and 141207(805)	50123(805)	Oil Pump (centrifugal) impeller, Locking Screw
16484	Feed Regulator and Feed Reversing Shaft Crank Hinge Stud with 276046	50150(809)	Knee Lifter Rock Frame Shaft Collar Set Screw
16486	Feed Regulator and Feed Reversing Shaft Crank Link with 457(830)	50190(809)	Guide Thumb Screw (accessories)
16487	Feed Regulator and Feed Reversing Shaft Crank Link Wearing Disc	50193(805)	Belt Cover Top and Bottom Half Fixing Screw
16489	Feed Regulator and Feed Reversing Shaft Spring Adjusting Collar with two 183(806)	50203(830)	Presser Bar Guide Bracket Clamping Screw
16494	Feed Reversing Lever Connection Hinge Stud (lower)	50305(803)	Tension Stud Set Screw
16495	Feed Reversing Lever Connection Hinge Stud (upper)	50429(805)	Bobbin Winder Pulley Set Screw
16496	Feed Reversing Lever Connection Hinge Stud (upper) Spacer	50555(805)	Arm Shaft (horizontal) Plug Screw
16498	Feed Reversing Lever Crank (lower) with two 141207(805)	50608(809)	Arm Hole Plug Screw (top of arm)
16709	Arm Side Shield Wick Spring Holder	50623(805)	Oil Pump (centrifugal) Screen Frame Screw
17182	Feed Rock Shaft with 20830	51220	Bobbin Winder Spindle Positioning Bracket Stud Set Screw
17183	Knee Lifter Lifting Link	51282	Bed Slide Spring Screw
17184	Knee Lifter Lifting Rod	51283(830)	Machine Pulley Set Screw
17192	Oil Tube	51369(809)	Stitch Indicator Screw
17195	Oil Tube Insert	51369(809)	Stitch Indicator Plate and Cover Screw
17197	Oil Pump (centrifugal) Cover and Oil Return Tube Retainer	51384(809)	Thread Take-up Lever Guard and Thread Eyelet and Thread Guard Screw (front of arm)
17298	Oil Tube (for oiling Rotating Hook and Hook Shaft Bearings)	51384(819)	Thread Take-up Lever Guard Screw (upper)
17299	Oil Tube (for oiling Rotating Hook Drive Shaft Bushing (front))	52083	Thread Take-up Spring Regulator with 50305(803)
17300	Oil Tube (for oiling Rotating Hook Drive Shaft Bushing (intermediate))	52130	Thread Take-up Lever Thread Eyelet Bushing
17586	Oil Return Tube (from needle head cavity to pump cover)	52171	Needle Bar Bushing (lower) Thread Eyelet
17588	Machine Base and Oil Reservoir Gasket	52239	Arm Spool Pin and Thread Eyelet (packed with accessories)
17589	Pair of Gears Nos. 16411 and 16427	52239	Bobbin Winder Spool Pin and Thread Eyelet (packed with accessories)
17590	Pair of Gears Nos. 16407 and 16411	52394	Thread Take-up Spring
17593	Presser Bar Guide Bracket with 50203(830)	81351-003	One quart can filled with light grade stainless oil (accessories)
17594	Presser Bar Lifting Stud	81416	Arm Top Cover Oil Sight Dome
17595	Presser Bar Lifting Stud Bushing	81439	Bobbin Winder Thread Tension Guide
17596	Presser Bar Lifting Stud Lifting Lever	81450	Rotating Hook Shaft Oil Regulating Screw Lock
17599	Pressure Regulating Thumb Screw and Presser Bar Guide	81484	Rotating Hook Shaft Oil Filter Wick Holder
20789	Arm Shaft (horizontal) Bushing (centre)	81801	Arm Shaft (horizontal) Flanged Bushing (back) Oil Sump Tube
20791	Arm Shaft (horizontal) Flanged Bushing (front)	81803	Belt Cover Bottom Half Locating Pad (small)
20798-001	Needle Bar Bushing (lower) for 366K205	81805	Feed Regulator and Reversing Lever Handle
20819	Bell Crank Plunger	81806	Feed Regulator and Reversing Lever Handle Spring
20822	Oil Return Tube Retaining Clamp	81807	Feed Regulator and Reversing Lever Handle Spring Ball Bearing
20823-002	Needle Bar (hollow) with 140239(830) for 366K205	81810	Feed Regulator and Reversing Lever Handle Retaining Pin
20830	Feed Lifting Rock Shaft Oil Wick Clamping Plug	81813	Feed Reversing and Knee Lifter Rock Frame Shaft Link with 141207(805) (not illustrated)
20830	Feed Rock Shaft Oil Wick Clamping Plug	81816	Machine Base and Oil Reservoir Isolating Pad (front)
20845-001	Bed Hole Plug (right, centre)	81820	Oil Wick Holder complete with two 147141 for 366K105 and 366K106
20845-002	Bed Hole Plug (right, front)	82538	Thread Unwinder Spool Pin Washer
21056	Bobbin Winder Pulley with two 50429(805)	86987	Belt Cover, complete
21057	Bobbin Winder Pulley Friction Ring	86988	Knee Lifter Rock Shaft Knee Arm
21065	Bobbin Winder Spindle Engaging Lever Stud	86989	Machine Base and Oil Reservoir Isolating Pad (back)
		86990	Bobbin Winder Spindle Oil Sling Washer (felt)
		86991	Knee Lifter Lifting Rod Washer (felt)
		86992	Knee Lifter Lifting Rod Washer (steel)
		87003	Arm (painted) (not illustrated)
		87004	Arm and Bed (painted) (not illustrated)
		87007	Face Plate (for use with Arm and Bed 87004)
		87008	Face Plate 87007 with 16420 (for use with Arm and Bed 87004)

Part No.	Description	Part No.	Description
143056	Needle Bar Connecting Link Roller Bearing (not illustrated)	228692	Thread Unwinder Spool Pin
143056	Thread Take-up Lever Roller Bearing	244071	Feed Driving Connection Link Hinge Pin Oil Packing (wick)
143058	Needle Bar Connecting Stud Slide Block	259658	Thread Unwinder Spool Stand with 200383(803)
143071	Oil Pump (centrifugal) Body Position Pin	270010	Rotating Hook Bobbin (5 supplied with accessories)
143073	Oil Pump (centrifugal) Impeller	270044	Rotating Hook Shaft Thrust Washer
143074	Oil Pump (centrifugal) Screen	270164	Rotating Hook Shaft End Bearing
143075	Oil Pump (centrifugal) Screen Frame	270326	Throat Plate for 366K205
143184	Presser Bar Bushing (lower) for use with Swing-up Type Attachments	270879	Rotating Hook Oil Guard
143196	Needle Bar Oil Wick	272110	Feed Bar Connecting Link
143301-001	Rotating Hook Oil Wick (felt)	272111	Feed Bar Connecting Link Oil Wick Clamp
143326	Needle Bar Connecting Stud with 140706(803)	272115	Feed Bar Connecting Link Oil Wick
143346	Rotating Hook Bobbin Case Holder	272131	Rotating Hook Bobbin Case Holder Position Bracket
143351	Rotating Hook Wiper	276059	Rotating Hook Shaft
143366	Feed Dog, 16 teeth (16 teeth to the inch) for 366K205	276166	Feed Regulator and Feed Reversing Shaft Spring
147008	Arm Side Shield Wick	276171	Feed Driving Connection Link Hinge Pin with 244071
147050-001	Needle Bar Connecting Link 147492-002 with 143326 (not illustrated)	276179	Feed Regulator and Feed Reversing Shaft Bushing (front)
147053	Needle Bar Connecting Stud Oil Wick	350231(803)	Knee Lifter Rock Shaft Knee Arm Plate Set Screw
147058	Presser Bar Bushing	500249(805)	Knee Lifter Rock Shaft Knee Arm Hub Pinch Screw
147070	Arm Shaft (upright) Bevel Gear Screw Hole Plug Screw Gasket	500257(805)	Feed Bar Carrier Pinch Screw
147070	Knee Lifter and Reversing Rod Access Hole Plug Screw Gasket	500270(805)	Knee Lifter Rock Shaft Crank Stop Screw
147070	Thread Take-up Crank Clamping Screw Hole Plug Screw Gasket	500348(805)	Knee Lifter Rock Shaft Crank Pinch Screw
147074	Thread Take-up Lever Link Hinge Stud Oil Wick	500785(805)	Knee Lifter Rock Shaft Crank Stop Screw (right) Nut
147141	Oil Wick, 11" long	502541	Feed Bar Hinge Pin (eccentric)
147151	Tension Releasing Disc	502559	Feed Bar Carrier
147152	Tension Spring	5025E9	Knee Lifter Rock Shaft
147158	Throat Plate for 366K105 and 366K106	502590	Knee Lifter Rock Shaft Crank
147166	Slack Thread Regulator	502710	Feed Bar Carrier 502559 with 500257(805) and two 624(833)
147291	Presser Bar Spring	502720	Knee Lifter Rock Shaft Knee Arm Hub complete
147292	Tension Stud 140873(803) with two 1560(803) (not illustrated)		
147293	Tension complete		
147468	Arm Shaft (horizontal) Thrust Collar with two 457(830)		
147483	Knee Lifter Rock Shaft Stop Dog with 140351		
147492-002	Needle Bar Connecting Link		
149061	Rotating Hook Bobbin Case 149060 with 591(806), 1380(805) and 40394		
149063	Rotating Hook Bobbin Case complete		
149065	Rotating Hook Section		
149066	Rotating Hook Thread Guard		
149141	Rotating Hook (air cooled) with 143301-001 and two 1253(830)		
149142	Rotating Hook (air cooled) 149141 with 143351, 149066 and four 1053(805)		
149143	Rotating Hook (air cooled) 149142 with 143346, 149065 and three 1367(805)		
149145	Rotating Hook (air cooled) 149142 with 149065 and three 1367(805)		
149146	Rotating Hook (air cooled) 149143 with 149063		
149152	Rotating Hook Driving Shaft Oil Filter Wick		
149160	Thread Take-up Crank Wearing Plate for 21890 and 21891		
149224	Oil Wick Holder Plug (felt)		
149235-003	Needle Bar Thread Guard	460(809)	Pre-Tension Stud Collar Set Screw
150203	Thread Unwinder Spool Rest Cushion (felt)	50128(809)	Pre-Tension Bracket Screw
151527	Bobbin Winder Spindle Positioning Bracket Retaining Ring	93984	Pre-Tension Bracket with 460(819)
151527	Bobbin Winder Spindle Retaining Ring	93985	Pre-Tension Bracket complete, Nos. 93984, 210958, 210993, 272208 and 272209
151559	Machine Rest Pad (accessories)	210958	Pre-Tension Stud Collar
161066	Presser Foot complete	210993	Pre-Tension Sleeve
161294	Screw Driver	272208	Pre-Tension Spring
161295	Screw Driver	272209	Pre-Tension Stud
164739	Feed Regulator Lever and Feed Reversing Crank Hinge Pin Oil Ring		
189625	Bed Slide Spring		
192336	Arm Screw (front) Washer		
200113(806)	Knee Lifter Lifting Rod Spring Collar Set Screw		
200383(803)	Thread Unwinder Spool Rest Rod Set Screw		
201018(803)	Thread Unwinder Spool Rest Set Screw		
201215(804)	Rotating Hook Shaft End Bearing Screw	1560(803)	Tension Regulating Thumb Nut
201528(808)	Thread Unwinder Spool Pin Nut	50304(806)	Tension Stud
201696(808)	Thread Unwinder Thread Guide Lock Nut	50305(803)	Thread Take-up Spring Regulator Set Screw
202302	Knee Lifter Lifting Rod Cotter Pin	52083	Thread Take-up Spring Regulator with 50305(803)
225257	Thread Unwinder Spool Rest complete	54515	Tension Releasing Pin
225258	Thread Unwinder complete	93995	Tension (rotary) complete, Nos. 1560(803), 52083, 54515, 147500, 272218, 272219, 272221, 276225 and two 202079
225322	Thread Unwinder Thread Guide Rod Washer	147500	Thread Take-up Spring
225324	Thread Unwinder Thread Guide Rod with 208(830) and 225322	202079	Tension Wheel Washer (felt)
225326	Thread Unwinder Thread Guide Position Cup	272218	Tension Releasing Disc
225388	Thread Unwinder Spool Rest Rod	272219	Tension Spring
225391	Thread Unwinder Thread Guide	272220	Tension Washer
227227	Knee Lifter Lifting Rod Spring Collar with 200113(806)	272221	Tension Wheel (rotary)
228364	Knee Lifter Rock Shaft Knee Arm Plate with 350231(803)	276225	Tension Stud 50304(806) with 272220

Fittings

366K105 and 366K106 Machines

	Feed Dog	Presser Foot	Throat Plate
--	----------	--------------	--------------

Type A	142057	161066	147158
Type B	143366	161066	270326
Type C	93541	161066	93542

366K205 Machine

Type A	143366	161066	270326
Type B	142057	161066	147158
Type C	93541	161066	93542

Pre-Tension Device No. 93985 for 366K105 and 366K106 Machines (not illustrated)

To be used in conjunction with Rotary Tension No. 93995 (supplied only when specified on order and at an extra charge.)

Pre-Tension Stud Collar Set Screw
Pre-Tension Bracket Screw
Pre-Tension Bracket with 460(819)
Pre-Tension Bracket complete, Nos. 93984, 210958, 210993, 272208 and 272209
Pre-Tension Stud Collar
Pre-Tension Sleeve
Pre-Tension Spring
Pre-Tension Stud

Tension (rotary) No. 93995 for 366K105 and 366K106 Machine (not illustrated)

To be used in conjunction with Pre-Tension Device No.93985 (supplied only when specified on order and at an extra charge).

Tension Regulating Thumb Nut
Tension Stud
Thread Take-up Spring Regulator Set Screw
Thread Take-up Spring Regulator with 50305(803)
Tension Releasing Pin
Tension (rotary) complete, Nos. 1560(803), 52083, 54515, 147500, 272218, 272219, 272221, 276225 and two 202079
Thread Take-up Spring
Tension Wheel Washer (felt)
Tension Releasing Disc
Tension Spring
Tension Washer
Tension Wheel (rotary)
Tension Stud 50304(806) with 272220

Part No.	Description	Part No.	Description
87009	Face Plate Gasket (for use with Face Plate 87007)	98805	Presser Bar Bushing Oil Retainer Felt Pad (lower)
87018	Knee Lifter Rock Shaft Spring	98807	Presser Bar Bushing Oil Retainer
87087	Belt Cover (bottom half)	98811	Machine Pulley with two 51283(830)
87088	Belt Cover (top half)	98916	Arm Shaft (horizontal) with Needle Bar Crank and 1036(830) and 141202(805)
87089	Thread Take-up Lever Oil Guard with 143196 and 147053	98920	Thread Take-up Crank with Thread-Take-up Lever with 90439, 143326, 149160 and eighteen (18) 143056 for 98921
87090	Bobbin Winder Spindle Engaging Lever with 198(819)	98921	Thread Take-up Crank with Thread Take-up Lever complete, Nos. 93982 and 98920 (for Agents only)
87091	Bobbin Winder Spindle Engaging Lever Stud Cam	98923	Needle Bar Bushing (lower) Thread Eyelet for 366K205
87092	Bobbin Winder Spindle Positioning Bracket with 1747 and 109902	98982	Thread Take-up Lever Link Hinge Stud with 147074
87098	Knee Lifter Rock Frame Arm (rear) with 109912(819)	99752	Presser Bar Lifting Bracket
87268	Bobbin Winder Pulley Friction Ring Driving Hub Securing Ring	99771	Bobbin Winder complete, Nos.8879, 21056, 21057, 21065, 21069, 21073, 21075, 51220, 52239, 86990, 87090, 87091, 87092, 90093, 93913, 93959 and two 151527
87279	Knee Lifter Rock Frame Shaft Collar with 50150(819)	99800	Feed Reversing Lever Connection
88527	Oil Pump (centrifugal) Body Oil Tube Insert (large)	101641	Magnet
88528	Machine Base and Oil Reservoir Isolating Pad (front) (head end)	101642	Magnet 101641 with 22558
90092	Bobbin Winder Thread Tension Stud	101646	Bobbin Winder Spindle Positioning Bracket Tension Spring Stud
90093	Bobbin Winder Thread Tension complete, Nos. 43808, 90092, 113074(809) and two 2455	101750	Needle Bar with 140239(830) Standard for 366K106, Optional for 366K105 when using Cat. 1361 Needles
90096	Needle Bar Bushing (lower) for 366K105 and 366K106	101751	Needle Bar 101750 with 140036(803) and 149235-003 for 366K106
90099	Oil Wick Holder complete, with two 147141 for 366K205	101770	Bobbin Winder Thread Tension Spring
90100	Oil Tube Retainer Clip (top)	101811	Presser Bar (hollow) for 366K105 and 366K106
90430	Tension Releasing Lever Body	101812	Presser Bar - Standard for 366K205 also available 366K105 when using Swing-up Attachments fitted to Presser Bar
90431	Tension Releasing Lever Segment	101862	Bobbin Winder Pulley Friction Ring Driving Hub complete
90432	Tension Releasing Lever Nos. 217(833), 90430 and 90431	106526-001	Bed Slide
90439	Thread Take-up Crank with 140231(803), 147492-002 and eighteen (18) 143056 for 98920	106527-001	Bed Slide complete, Nos. 106526-001, 189625 and two 51282
90449	Arm Side Shield	109768(830)	Feed Eccentric Position Screw
90450	Arm Side Shield 90449 with 16709 and 147008	109873(805)	Arm and Bed Leg (back) Screw
90468	Knee Lifter Rock Frame Shaft	109902	Bobbin Winder Spindle Positioning Bracket Adjusting Screw
90477	Knee Lifter complete	109912(809)	Knee Lifter Rock Frame Arm (rear) Clamping Screw
92983	Arm Shaft (horizontal) for 366K205	109952(830)	Arm Shaft (horizontal) Bevel Gear Set Screw and Bobbin Winder Pulley Friction Ring Driving Hub Screw
92987	Knee Lifter Rock Shaft Shaft 90468 with 87098	113074(809)	Bobbin Winder Thread Tension Stud Thumb Nut
93164	Machine Base and Oil Reservoir complete	114038(809)	Armshaft (upright) Bevel Gear Screw Hole Plug Screw
93219	Rotating Hook (air cooled) 149146 with 21117 (not illustrated)	114044	Rotating Hook Driving Shaft Gear and Feed Lifting Eccentric Set Screw (not illustrated)
93220	Rotating Hook (air cooled) 149141 with 21117 (not illustrated)	125320	Rotating Hook Bobbin Case Latch Lever
93221	Rotating Hook (air cooled) 149143 with 21117 (not illustrated)	140036(803)	Needle Bar Thread Guard Screw
93512	Feed Lifting Rock Shaft Oil Seal	140231(803)	Needle Bar Connection Link Cap Screw
93512	Feed Rock Shaft Oil Seal	140232(809)	Oil Wick Holder Screw
93581	Oil Tube Retaining Clip	140239(830)	Needle Set Screw
93913	Bobbin Winder Spindle	140279(830)	Arm Shaft (horizontal) Flanged Bushing (front) Set Screw
93930	Feed Bar Hinge Pin (eccentric) Thrust Washer	140279(830)	Thread Take-up Lever Link Hinge Stud Set Screw
93942	Knee Lifter Rock Shaft Crank, complete for 90477	140331(830)	Arm Shaft (horizontal) Flanged Bushing (back) Set Screw
93944	Knee Lifter Lifting Rod Spring	140333(830)	Arm Shaft (horizontal) Bevel Gear Positioning Screw
93957	Presser Bar Bushing Oil Retainer Collar with 735(830)	140351	Knee Lifter Rock Shaft Stop Dog Pinch Screw
93959	Bobbin Winder Spindle Positioning Bracket Tension Spring	140390(830)	Presser Foot Screw
93969	Feed Bar	140542(830)	Needle Bar Crank Position Screw
93978	Needle Bar with 140239(830) for 93979	140610(809)	Knee Lifter and Reversing Rod Access Hole Plug Screw
93979	Needle Bar 93978 with 140036(803) and 149235-003 for 366K105	140610(809)	Thread Take-up Crank Clamping Screw Hole Plug Screw
93980	Needle Bar (hollow) with 140239 (alternative to 93978)	140706(803)	Needle Bar Connecting Stud Clamping Screw
93981	Needle Bar (hollow) 93980 with 140036(803) and 149235-003 (for Agents only) (alternative to 93979)	140836(804)	Arm Shaft (horizontal) Screw (back)
98771	Oil Return Tube Arm Hole Plug (not illustrated)	140873(803)	Tension Stud
98781	Thread Take-up Crank with Thread Take-up Lever (not illustrated) for 366K105	141202(805)	Arm Shaft (horizontal) Screw Plug (front)
98782	Thread Take-up Crank with Thread Take-up Lever complete (not illustrated) for 366K105	141206(850)	Belt Cover Screw
98783	Thread Take-up Crank with Thread Take-up Lever complete Nos. 98782 and 93982 (for Agents only)	141207(805)	Feed Bar Lifting Crank Pinch Screw
98784	Thread Take-up Crank with Thread Take-up Lever (not illustrated) for 366K205	141207(805)	Feed Lifting Connection Hinge Stud Pinch Screw
98785	Thread Take-up Crank with Thread Take-up Lever complete (not illustrated) for 366K205	141207(805)	Feed Lifting Rock Shaft Crank Pinch Screw
98786	Thread Take-up Crank with Thread Take-up Lever Nos. 93982 and 98785 (not illustrated) for 366K205 (for Agents only)	141207(805)	Feed Regulator and Reversing Lever Pinch Screw
98787	Thread Take-up Crank with Thread Take-up Lever with 149160 and eighteen (18) 143056 (for Agents only)	141207(805)	Feed Regulator and Feed Reversing Shaft Crank (front) Pinch Screw
		141207(805)	Feed Reversing Lever Connection Hinge Stud (lower) Pinch Screw
		141207(805)	Feed Reversing Lever Connection Hinge Stud (upper) Pinch Screw
		141207(805)	Feed Reversing Lever Crank (lower) Pinch Screw
		141207(805)	Feed Reversing and Knee Lifter Rock Frame Shaft Link Screw
		141208(830)	Thread Take-up Crank Clamping Screw
		142057	Feed Dog, 21 teeth (22 teeth to the inch) for 366K105 and 366K106