

Form 8921  
(523)  
Printed in U.S.A.

# LIST OF PARTS



# SINGER\*\* MACHINES Nos. 37-2 to 37-10

---

THE SINGER MANUFACTURING COMPANY

\*\*A Trade Mark of THE SINGER MANUFACTURING COMPANY

## INSTRUCTIONS FOR OILING

---

To ensure easy running and prevent unnecessary wear of the parts which are in movable contact, the machine requires oiling and when in continuous use, "TYPE B" or "TYPE D" OIL, sold by Singer Sewing Machine Company, should be applied at least twice each day to all oil holes marked "OIL", as instructed in Form 8854.

"TYPE D" OIL should be used when an oil is desired which will produce a minimum of stain on fabrics, even after a long period of storage.

Apply a few drops of oil to the shuttle bearings in the shuttle race each time a bobbin is replaced.

## INDEX

---

	PAGE
ACCESSORIES.....	63
BOBBIN WINDER (ECCENTRIC) No. 2692.....	63
"    "    "    "    7531.....	63
KNEE LIFTER PARTS.....	64
MACHINE HINGES.....	62
"    No. 37-2.....	7
"    "    37-3.....	13
"    "    37-4.....	19
"    "    37-5.....	26
"    "    37-6.....	32
"    "    37-7.....	39
"    "    37-8.....	45
"    "    37-9.....	51
"    "    37-10.....	57
NUMERICAL LIST OF PARTS.....	69
OBSOLETE PARTS.....	66
STAND.....	65

# INSTRUCTIONS FOR ORDERING

In ordering from this list, use **ONLY** the part NUMBER in the **FIRST** column.

The number stamped on a Sewing Machine part is in every case the number of the single part only.

Every combination of parts sent out as such has its specific number, which, although not stamped on the parts, must be used when ordering the combination.

Each number always indicates the **SAME PART** in whatever list it appears, or for whatever machine.

The letters after some of the numbers indicate the style of finish only, as follows:

- A. Hardened, Polished and Plated.
- B. Polished and Plated
- C. Hardened only.
- D. Polished only.
- E. Soft, not Polished.
- F. Hardened and Polished.
- G.
- H. Blued.
- J. Plated only.
- K. Hardened and Plated.
- L. Brass or Gilt.
- M. Oxidized.
- P. Japanned.
- R. Parkerized

These letters **MUST BE USED** when they appear in the list, and **AFTER** the number as in the list.

**In this series**

- 1 to 1500 and 50001 to 51500 are Screw Numbers.
- 1501 to 1800 are Nut Numbers.
- 1801 to 2000 are Roller Numbers.
- 2001 to 50000 and 52001 and upward are numbers of Machine Parts.

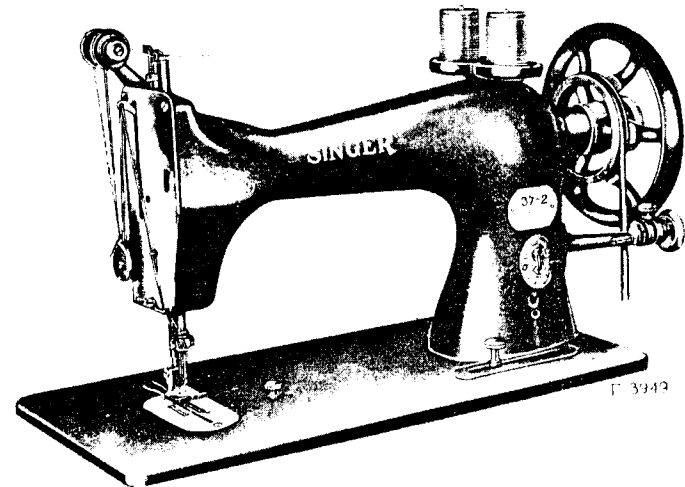
The figures in the second column refer only to the plates, illustrating the parts, and are **NOT TO BE USED** in ordering.

Parts marked with an asterisk (\*) are furnished only when repairs are made at factory.

When ordering parts which differ as to **GAUGE** (the distance between seams) the **GAUGE** as well as the **NUMBER** **MUST BE GIVEN** on order.

## LIST OF PARTS COMPLETE

FOR



## MACHINE No. 37-2

FOR STAYING OR CORDING. TWO NEEDLES,  
DROP FEED.

NO.	PLATE	NAME
*14801	—	Arm.....
2002	534	" Dowel Pin.....
123E	540	" Screw.....
7252	530	" Shaft (horizontal).....
33875	2358	" " " Gear, 24 teeth, with 458c.....
2117	539	Arm Shaft (horizontal) Gear Pin.....
458c	2358	" " " " Set Screw....
144D	540	" " " Screw.....
15517	2360	" " (upright).....
7599	534	" " " Collar with 462c....
2117	539	" " " Pin.....
462c	2359	" " " Set Screw....
33876	2358	" " " Gear, 24 teeth, with 449c.....

NO.	PLATE	NAME
2117	539	Arm Shaft (upright) Gear Pin.....
449c	2358	" " " " Set Screw.....
*7257	—	" Side Plate.....
122D	2359	" " " Screw.....
283D	2359	" " " Thumb Screw.....
2415	—	" Spool Bracket.....
15063	531	" " " 2415 with two 12403
12403	539	" " " Spool Pin and Thread Eyelet.....
11241	2362	Arm Spool Bracket Spool Pin Washer (cloth).....
145D	540	Arm Spool Bracket Screw.....
7370	530	Balance Wheel, 2 $\frac{3}{4}$ in. pulley, with two 448c.....
2862	2361	Balance Wheel (stand) heavy rim, 3 in. pulley, for 3022.....
448c	540	Balance Wheel Set Screw.....
*7258	—	Bed.....
7259	531	" Leg.....
145E	540	" " Screw.....
256J	533	Clamp Stop Motion Clamp Screw.....
248A	540	" " " " Stop Screw.....
2020	533	" " " " Washer.....
*3023	533	" " " Flanged Bushing.....
4933	—	" " " " " 3023 with two 462c.....
2022	539	Clamp Stop Motion Flanged Bushing Pin
462c	2359	" " " " " Set Screw.....
3022J	—	Clamp Stop Motion complete, Nos. 248A, 256J, 2020 and 4933.....
14802	530	Face Plate.....
*23070	—	" " 14802 with 2827 and 14812...
190D	540	" " Screw.....
7267	532	Feed Bar.....
313c	540	" " Screw Centre.....
1519J	541	" " " " Nut.....
7268	539	" " Spring.....
7465	536	" Dog (double).....
14923	549	" " for cording.....
23001	547	" " (spiked teeth) for cording and imitation cording on cloaks, skirts, etc.
219F	540	Feed Dog Screw.....
7274	530	" Lever.....
7275	532	" " Cam with two 435c.....
435c	540	" " " Set Screw.....
7276	534	" " Cap.....

NO.	PLATE	NAME
159F	540	Feed Lever Cap Screw.....
7277	537	" " Raising Cam.....
190D	540	" " " " Screw.....
7071	539	" " " " Washer..
7280	530	" Regulator with 7278.....
7281	534	" " Cap.....
183F	540	" " " Screw.....
7278	534	" " Socket Joint.....
271D	540	" " Thumb Screw.....
7279	532	" Rock Shaft.....
307C	540	" " " Screw Centre.....
1513J	541	" " " " Nut.....
25866	2362	Guide.....
286D	540	" Thumb Screw.....
7348	532	Needle Bar with 2273, for 15998.....
15998	—	Needle Bar complete, for $\frac{1}{8}$ in. gauge, Nos. 7348 and 14807.....
14921	550	Needle Bar for 15722.....
15722	550	Needle Bar complete, for $\frac{1}{4}$ in. gauge and above, Nos. 337D, 2273, 14921, 15577 and 15723.....
NOTE:		When ordering No. 15722 give gauge required.
*14803	532	Needle Bar Connecting Link.....
23090	—	" " " " 14803 with 2052.....
380C	541	Needle Bar Connecting Link Hinge Screw
1520E	541	" " " " " "
		Nut.....
2052	537	Needle Bar Connecting Stud with 155c...
155c	540	" " " " Set Screw...
14804	2353	" Clamp Body.....
14805	539	" " Gib.....
662D	540	" " Position Screw.....
196F	540	" " Screw.....
14807	—	Needle Clamp complete for 15998, Nos. 196F, 662D, 14804 and 14805.....
15723	2353	Needle Clamp with two 857H, for 15722..
NOTE:		When ordering No. 15723 give gauge required.
2273	2358	Needle Clamp Pin.....
15577	2358	" " Thread Eyelet.....
337D	541	" " " " Screw.....
857H	2359	" Set Screw.....
2273	2358	" Stop Pin.....

NO.	PLATE	NAME
14031	532	Oscillating Rock Shaft with 4784
14856	534	" " " Crank with 735c
2049	535	" " " " Pin
735c	2351	" " " " Set Screw
4784	2358	" " " Oil Pad
7317	532	" Shaft
7318	534	" " Crank with 735c and 1813
2049	535	Oscillating Shaft Crank Pin
1813	541	" " " Roller and Stud
735c	2351	" " " Set Screw
7299	532	Presser Bar
2062	531	" " Lifter
36c	540	" " " Screw
8399	531	" " Spring
7597	2358	" " Bracket with 453c
453c	540	" " " " Set Screw
2070	539	" " " Washer
14810	536	" Foot
14811	537	" " for cording
23002	549	" " 23003 and 23004
176D	2366	" " Screw
263J	541	Pressure Regulating Thumb Screw
2996	535	Shuttle Bobbin
15140	2363	" " Case Latch
2973	535	" " " " Lever
2974	535	" " " " " Fulcrum Pin
2975	535	Shuttle Bobbin Case Latch Spring
592E	2363	" " " " Stop Screw
15141	—	" " " Hinge, Nos. 2973, 2974 and 15140
7553	535	Shuttle Bobbin Case Position Finger
2523	2363	" " " " Rivet
15727	2363	Shuttle Bobbin Case complete, Nos. 591E, 592E, 2523, 2975, 7553, 15098 and 15141
15728	2363	Shuttle Body
591F	2363	" Tension Regulating Screw
15098	2363	" " Spring
15729	—	Shuttle, 1 1/8 in. diam., Nos. 2996, 15727 and 15728
*15730	—	Shuttle Driver
15731	2363	" " 15730 with two 462c
2049	535	" " Pin
462c	2359	" " Set Screw
7319	530	" Pitman with 44361, 49308 and four 187D

NO.	PLATE	NAME
*44361	—	Shuttle Pitman Cap (left)
187D	2359	" " " " Screw
*49308	—	" " " (right)
187D	2359	" " " " Screw
777c	541	" " Connecting Ball Joint Screw
1519E	541	Shuttle Pitman Connecting Ball Joint Screw Nut
7595	532	Shuttle Pitman Crank Wheel with 435c and 743c
743c	540	Shuttle Pitman Crank Wheel Position Screw
435c	540	Shuttle Pitman Crank Wheel Set Screw
14019	533	" Race Back
2532	539	" " " Position Pin
2533	533	" " " Spring
648J	540	" " " " Screw
7323	—	" " Body
7326	533	" " Cap
662D	540	" " " Screw
7322	533	Shuttle Race complete, Nos. 648J, 2533, 7323, 7326, 14019 and two each 662D and 2532
7593	530	Shuttle Race Bracket
7596	—	Shuttle Race Bracket complete, Nos. 7317, 7318, 7593, 14031, 14856, 15730 and three 2049
14051	532	Shuttle Race Bracket Adjusting Slide
219F	540	" " " " " " Screw
14105	2358	Shuttle Race Bracket Adjusting Slide Steady Pin
135D	2359	Shuttle Race Bracket Screw
145D	540	" " Screw
7355	2358	Tension Bracket
7354	—	Tension Bracket complete, Nos. 330D, 2413, 7355, two each 2103, 33929 and four 2102
193D	2359	Tension Bracket Screw
2413	539	" " Thread Eyelet (double)
330D	540	" " " " Screw
2102	534	" Disc
1560c	541	" Regulating Thumb Nut
7598	2362	" Releaser
193F	2359	" " Screw
637c	540	" Screw Stud
33929	—	" " " 637c with 1560c

NO.	PLATE	NAME
2103	539	Tension Spring.....
14812	539	Thread Eyelet.....
2827	539	" Guard with 8505.....
8505	2358	" " Rivet.....
2410	534	" Guiding Roller.....
86d	540	" " " Screw.....
698E	540	" " " " Stud.....
7332	539	" " " Thread Guard....
*33900	—	Thread Guiding Roller complete, Nos. 86d, 698E, 2410, 7335 and 7336.....
*33903	—	Thread Take-up Cam (steel).....
7562	532	" " " 33903 with 448c..
2117	539	" " " Pin.....
448c	540	" " " Set Screw.....
*7334	532	" " " Lever with 1822.....
33850	—	" " " 7334 with 79c....
79c	540	" " " Hinge Screw.....
1822	541	" " " Roller and Stud..
7335	539	" " " Spring.....
7336	537	" " " Regulator.....
446c	540	" " " " Set Screw
14813	536	Throat Plate for 7465.....
14814	537	" " " " for cording.....
14924	549	" " " 14923.....
23003	547	" " " cording, for 7465 and 23001.....
23004	549	Throat Plate, for imitation cording, for 7465 and 23001.....
23084	548	Throat Plate with cord tube for 14923... 219F 540 " " Screw.....
7542	2437	Drip Pan (power table) with five 1 in. wire nails.....
7545	2437	Drip Pan (stand) with five 1 in. wire nails

## LIST OF PARTS COMPLETE

FOR

## MACHINE No. 37-3

FOR HAT SWEATS. TWO NEEDLES, DIAGONAL STITCH. HAS  
ATTACHMENT FOR FOLDING AND SEWING BIAS  
STRIPS WITH INSERTED REED UPON THE EDGES OF  
SWEATS IN ONE OPERATION. UPPER FEED.

NO.	PLATE	NAME
*14815	—	Arm.....
2002	534	" Dowel Pin.....
123E	540	" Screw.....
14816	530	" Shaft (horizontal).....
33875	2358	" " " Gear, 24 teeth, with 458c.....
2117	539	Arm Shaft (horizontal) Gear Pin.....
458c	2358	" " " " Set Screw... 144d 540 " " " Screw.....
7471	530	" " (upright).....
7599	534	" " " Collar with 462c... 2117 539 " " " " Pin.....
462c	2359	" " " " Set Screw....
33876	2358	" " " Gear, 24 teeth, with 449c.....
2117	539	Arm Shaft (upright) Gear Pin.....
449c	2358	" " " " Set Screw....
*15565	—	" Side Plate.....
283D	2359	" " " Thumb Screw.....
2415	—	" Spool Bracket.....
15063	531	" " " 2415 with two 12403 12403 539 " " " Spool Pin and Thread Eyelet.....
11241	2362	Arm Spool Bracket Spool Pin Washer (cloth).....
145D	540	Arm Spool Bracket Screw.....
7706	530	Balance Wheel with two 448c.....
448c	540	" " " Set Screw.....
*14817	—	Bed.....
7259	531	" Leg.....
145E	540	" " " Screw.....
14818	530	Face Plate.....
190D	540	" " " Screw.....

NO.	PLATE	NAME
23024	2360	Feed Cam with two 453c
453C	540	" " Set Screw
14820	533	" Regulator
2049	535	" " Pin
1863	541	" " Roller and Screw Stud
1613E	541	" " " " " " Nut
139E	541	" " " " " " " "
		Screw Pin
8800	539	Feed Regulator Roller and Screw Stud Washer
7710	530	Feed Shaft
14821	533	" " Crank with 453c and 1819
2022	539	" " " Pin
1819	541	" " " Roller and Stud
453C	540	" " " Set Screw
7348	532	Needle Bar with 2273
*14803	532	" " Connecting Link
23090	—	" " " " 14803 with 2052
380C	541	Needle Bar Connecting Link Hinge Screw
1520E	541	" " " " " " " "
		Nut
2052	537	Needle Bar Connecting Stud with 155c
155C	540	" " " " Set Screw
14804	2353	" Clamp Body
7353	539	" " Gib
662D	540	" " Position Screw
196F	540	" " Screw
14808	539	Needle Clamp complete, Nos. 196F, 662D, 7353 and 14804
14822	533	Needle Separator
2273	2358	" Stop Pin
7327	533	Oscillating Rock Shaft
14823	534	" " " Collar with two 735c
735C	2351	Oscillating Rock Shaft Collar Set Screw
14824	532	" " " Fork
2049	535	" " " " Pin
7317	532	" Shaft
7318	534	" " Crank with 735c and 1813
2049	535	Oscillating Shaft Crank Pin
1813	541	" " " Roller and Stud
735C	2351	" " " Set Screw
7526	532	Presser Bar
2062	531	" " Lifter
36C	540	" " " Screw

NO.	PLATE	NAME
8399	531	Presser Bar Spring
7717	533	" " " Bracket with 453c
453C	540	" " " " Set Screw
2070	539	" " " Washer
263J	541	Pressure Regulating Thumb Screw
2996	535	Shuttle Bobbin
15140	2363	" " Case Latch
2973	535	" " " " Lever
2974	535	" " " " " Fulerum Pin
2975	535	Shuttle Bobbin Case Latch Spring
592E	2363	" " " " Stop Screw
15111	—	" " " Hinge, Nos. 2973, 2974 and 15140
14828	—	Shuttle Bobbin Case Position Finger
2523	2363	" " " " " Rivet
23006	2363	Shuttle Bobbin Case complete, Nos. 591F, 592E, 2523, 2975, 7330, 14828 and 15141
14829	2363	Shuttle Body
591F	2363	" Tension Regulating Screw
7330	2363	" " Spring
14890	535	Shuttle, 1 $\frac{1}{4}$ in. diam., Nos. 2996, 14829, and 23006
*14830	535	Shuttle Driver
14892	—	" " 14830 with two 462c
2049	535	" " Pin
462C	2359	" " Set Screw
14831	530	" Pitman with 44361, 49308 and four 196D
*44361	—	Shuttle Pitman Cap (left)
196D	540	" " " " Screw
*49308	—	" " " (right)
196D	540	" " " " Screw
777C	541	" " " Connecting Ball Joint Screw
1519E	541	Shuttle Pitman Connecting Ball Joint Screw Nut
14832	2361	Shuttle Pitman Crank Wheel with 435c and 743c
743C	540	Shuttle Pitman Crank Wheel Position Screw
435C	540	Shuttle Pitman Crank Wheel Set Screw
2419	2362	" Race Back
2532	539	" " " Position Pin
2533	533	" " " Spring
648J	540	" " " " Screw
14834	—	" " " Body

NO.	PLATE	NAME
23083	—	Shuttle Race Body 14834 with 7326 and two 662D
7326	533	Shuttle Race Cap
662D	540	" " " Screw
14833	533	Shuttle Race complete, Nos. 648J, 2419, 2533, 23083 and two 2532
23088	2361	Shuttle Race Bracket
23089	—	Shuttle Race Bracket complete, Nos. 7317, 7318, 7327, 14823, 14824, 14830, 23088 and three 2049
14051	532	Shuttle Race Bracket Adjusting Slide
219F	540	" " " " " Screw
14105	2358	Shuttle Race Bracket Adjusting Slide Steady Pin
2022	539	Shuttle Race Bracket Dowel Pin
135D	2359	" " " Screw
145D	540	" " Screw
14845	—	Sweat Band Guide
14846	—	" " " Shank
14847	—	" " " Spring
14848	538	Sweat Band Guide complete, Nos. 14845 to 14847
14849	—	Sweat Band Edge Guide, for binding
14850	—	" " " " Shank
14851	538	Sweat Band Edge Guide complete, Nos. 14849 and 14850
236D	540	Sweat Band Edge Guide Screw
14852	—	" " Folder
14853	—	" " " Shank
14854	538	Sweat Band Folder complete, Nos. 14852 and 14853
236D	540	Sweat Band Folder Screw
14855	538	Sweat Band Gauge complete, Nos. 14848, 14851, 14854 and three 236D
190D	540	Sweat Band Gauge Screw
7071	539	" " " " Washer
14835	531	Tension Bracket
14836	—	Tension Bracket complete, Nos. 330D, 2413, 14835, two each 637C, 1560C, 2103 and four 2102
217D	2359	Tension Bracket Screw
2413	539	" " Thread Eyelet (double)
330D	540	" " " " Screw
2102	534	" Disc
1560C	541	" Regulating Thumb Nut
637C	540	" Screw Stud

NO.	PLATE	NAME
2103	539	Tension Spring
2410	534	Thread Guiding Roller
86D	540	" " " Screw
698E	540	" " " " Stud
7332	539	" " " Thread Guard
33900	—	Thread Guiding Roller complete, Nos. 86D, 698E, 2410, 7335 and 7336
*33903	—	Thread Take-up Cam (steel)
7562	532	" " " 33903 with 448C
2117	539	" " " Pin
448C	540	" " " Set Screw
*7334	532	" " Lever with 1822
33850	—	" " " 7334 with 79C
79C	540	" " " Hinge Screw
1822	541	" " " Roller and Stud
7335	539	" " Spring
7336	537	" " " Regulator
446C	540	" " " " Set Screw
14837	537	Throat Plate
219F	540	" " Screw
7721	2362	Vibrating Feed Bar
7725	537	" " " Guide Bracket with 453C
453C	540	Vibrating Feed Bar Guide Bracket Set Screw
199D	540	Vibrating Feed Bar Hinge Cap Screw
14838	533	" " " Lifting Cam with two 453C
453C	540	Vibrating Feed Bar Lifting Cam Set Screw
14839	531	Vibrating Feed Bar Lifting Lever with 180r and 453C
14840	534	Vibrating Feed Bar Lifting Lever Stud
180J	2359	" " " " " " Clamping Screw
14843	534	Vibrating Feed Bar Lifting Lever Stud Roller
7729	534	Vibrating Feed Bar Lifting Lever Stud Roller Pin
14841	—	Vibrating Feed Bar Lifting Lever Stud complete, Nos. 7729, 14840 and 14843
7730	539	Vibrating Feed Bar Lifting Lever Hinge Pin
453C	540	Vibrating Feed Bar Lifting Lever Hinge Pin Set Screw
14842	537	Vibrating Feeding Foot (hinged)
846F	540	" " " Screw



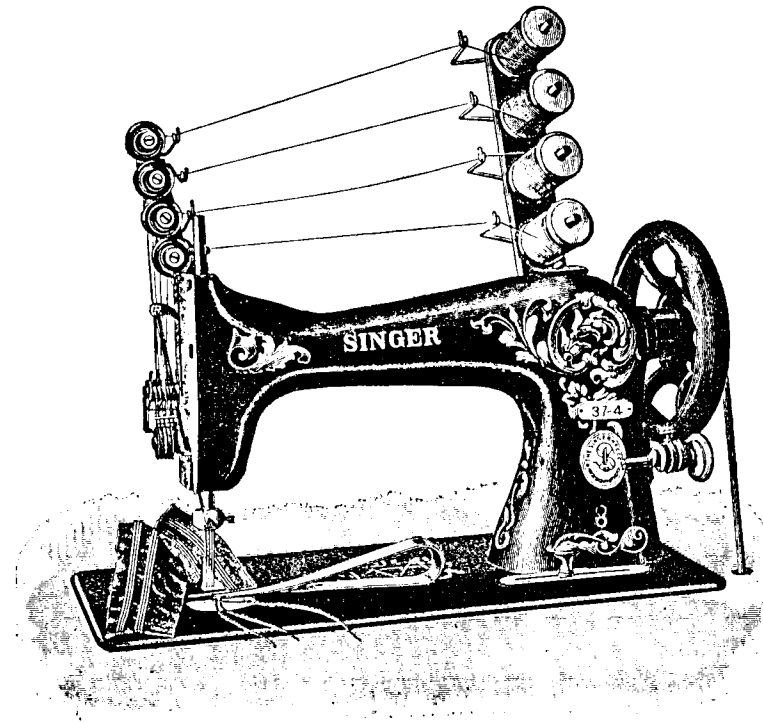
NO.	PLATE	NAME
7542	2437	Drip Pan (power table) with five 1 in. wire nails.....
7545	2437	Drip Pan (stand) with five 1 in. wire nails

SINGER Needles should be used  
in SINGER Machines  
These Needles and their Containers  
are marked with the  
Company's Trade Mark "SIMANCO.\*\*" 1

Needles in Containers marked  
"FOR SINGER MACHINES"  
are NOT SINGER made needles. 2

## LIST OF PARTS COMPLETE

FOR



## MACHINE No. 37-4

FOR CORDING AND PLAIN STITCHING. FOUR NEEDLES.  
KNEE LIFTER. DROP FEED.

NO.	PLATE	NAME
*23052	—	Arm with 122D, 283D and 7257.....
2002	534	" Dowel Pin.....
123E	540	" Screw.....
7252	530	" Shaft (horizontal).....
33875	2358	" " " Gear, 24 teeth, with 458c.....
2117	539	Arm Shaft (horizontal) Gear Pin.....
458c	2358	" " " " Set Screw...
144D	540	" " " Screw.....

NO.	PLATE	NAME
14862	530	Arm Shaft (upright).....
7599	534	“ “ “ Collar with 462c....
2117	539	“ “ “ “ Pin.....
462C	2359	“ “ “ “ Set Screw....
33876	2358	“ “ “ Gear, 24 teeth, with 449c.....
2117	539	Arm Shaft (upright) Gear Pin.....
449C	2358	“ “ “ “ Set Screw.....
*7257	—	“ Side Plate.....
122D	2359	“ “ “ Screw.....
283D	2359	“ “ “ Thumb Screw.....
14926	550	“ Spool Bracket.....
14927	550	“ “ “ Spool Pin.....
11241	2362	“ “ “ “ Washer (cloth).....
14929	2353	Arm Spool Bracket Thread Eyelet.....
190D	540	“ “ “ “ “ Screw
14930	—	Arm Spool Bracket complete, Nos. 14926 and four each 190D, 11241, 14927 and 14929.....
145D	540	Arm Spool Bracket Screw.....
7370	530	Balance Wheel, 2¾ in. pulley, with two 448c.....
2862	2361	Balance Wheel (stand) heavy rim, 3 in. pulley, for 3022.....
448C	540	Balance Wheel Set Screw.....
*14931	—	Bcd.....
7259	531	“ Leg.....
145E	540	“ “ Screw.....
256J	533	Clamp Stop Motion Clamp Screw.....
248A	540	“ “ “ “ Stop Screw....
2020	533	“ “ “ “ Washer.....
*3023	533	“ “ “ Flanged Bushing....
4933	—	“ “ “ “ “ 3023 with two 462c.....
2022	539	Clamp Stop Motion Flanged Bushing Pin
462C	2359	“ “ “ “ “ Set Screw.....
3022J	—	Clamp Stop Motion complete, Nos. 248A, 256J, 2020 and 4933.....
26297	2356	Corder (bow) three holes, for top cording.
190D	540	“ Screw.....
7071	539	“ “ Washer.....
23053	2360	Face Plate.....
23054	—	Face Plate complete, Nos. 233D, 14958, 14959 and 23053.....
190D	540	Face Plate Screw.....

NO.	PLATE	NAME
7267	532	Feed Bar.....
313C	540	“ “ Screw Centre.....
1519J	541	“ “ “ “ Nut.....
7268	539	“ “ Spring.....
23064	2364	“ Dog, for general work.....
219F	540	“ “ Screw.....
7274	530	“ Lever.....
14936	—	“ “ Cam with two 435c.....
435C	540	“ “ “ Set Screw.....
7276	534	“ “ Cap.....
159F	540	“ “ “ Screw.....
7277	537	“ “ Raising Cam.....
190D	540	“ “ “ “ Screw.....
7071	539	“ “ “ “ Washer..
14937	—	“ Regulator with 7278.....
7281	534	“ “ Cap.....
183F	540	“ “ “ Screw.....
7278	534	“ “ Socket Joint.....
271D	540	“ “ Thumb Screw.....
7279	532	“ Rock Shaft.....
307C	540	“ “ “ Screw Centre.....
1513J	541	“ “ “ “ “ Nut.....
23042	2360	Needle Bar with 23221.....
*14803	532	“ “ Connecting Link.....
23090	—	“ “ “ “ “ 14803 with 2052.....
380C	541	Needle Bar Connecting Link Hinge Screw
1520E	541	“ “ “ “ “ “ Nut.....
2052	537	Needle Bar Connecting Stud with 155c...
155C	540	“ “ “ “ Set Screw..
23043	2358	“ Clamp Body.....
23044	2358	“ “ Gib.....
175F	2358	“ “ Screw.....
14868	539	“ “ Thread Eyelet.....
14906	2353	“ “ “ Guard.....
218D	535	“ “ “ “ Screw.....
23045	—	Needle Clamp complete for 23042, Nos. 175F, 218D, 14868, 14906, 23043 and 23044.....
23221	2358	Needle Stop Pin for 23042.....
23055	2358	Oil Cup with 23056.....
<del>14939</del>	<del>2350</del>	“ “ Holder.....
1520E	541	“ “ “ Nut.....
<del>23056</del>	<del>2358</del>	“ “ Parking feet.....
<del>14931</del>	<del>532</del>	“ “ “ “ “ “.....
<del>14856</del>	<del>534</del>	“ “ “ “ “ “.....

NO.	PLATE	NAME
2049	535	Oscillating Rock Shaft Crank Pin.....
735c	2351	“ “ “ “ Set Screw..
4784	2358	“ “ “ Oil Pad.....
7317	532	“ Shaft.....
7318	534	“ Crank with 735c and 1813.....
2049	535	Oscillating Shaft Crank Pin.....
1813	541	“ “ “ Roller and Stud..
735c	2351	“ “ “ Set Screw.....
7299	532	Presser Bar.....
2062	531	“ “ Lifter.....
36c	540	“ “ “ Screw.....
7597	2358	“ “ Lifting Bracket with 453c...
453c	540	“ “ “ Set Screw.....
8399	531	“ “ Spring.....
2070	539	“ “ “ Washer.....
14941	544	“ Foot.....
14946	544	“ “ with three grooves, $\frac{3}{4}$ in. gauge, for cordling.....
14947	544	Presser Foot with three grooves, $\frac{1}{8}$ in. gauge, for cordling.....
176D	2366	Presser Foot Screw.....
263J	541	Pressure Regulating Thumb Screw.....
2996	535	Shuttle Bobbin.....
15140	2363	“ “ Case Latch.....
2973	535	“ “ “ “ Lever.....
2974	535	“ “ “ “ Fulcrum Pin.....
2975	535	Shuttle Bobbin Case Latch Spring.....
592E	2363	“ “ “ “ Stop Screw..
15141	—	“ “ “ “ Hinge, Nos. 2973, 2974 and 15140.....
7553	535	Shuttle Bobbin Case Position Finger....
2523	2363	“ “ “ “ “ Rivet
23007	2353	Shuttle Bobbin Case complete, Nos. 591E, 592E, 2523, 2975, 7553, 14953 and 15141
15728	2363	Shuttle Body.....
591F	2363	“ Tension Regulating Screw.....
14953	2353	“ “ Spring.....
14948	2353	Shuttle, $1\frac{1}{8}$ in. diam., Nos. 2096, 15728 and 23007.....
*15730	—	Shuttle Driver.....
15731	2363	“ “ 15730 with two 462c.....
2049	535	“ “ Pin.....
462c	2359	“ “ Set Screw.....
7319	530	“ Pitman with 44361, 49308 and four 187D.....

NO.	PLATE	NAME
*44361	—	Shuttle Pitman Cap (left).....
187D	2359	“ “ “ “ Screw.....
*49308	—	“ “ “ (right).....
187D	2359	“ “ “ “ Screw.....
777c	541	“ “ Connecting Ball Joint Screw.....
1519E	541	Shuttle Pitman Connecting Ball Joint Screw Nut.....
14871	532	Shuttle Pitman Crank Wheel and Thread Pull-off Lever Cam with 435c and 743c
743c	540	Shuttle Pitman Crank Wheel and Thread Pull-off Lever Cam Position Screw...
435c	540	Shuttle Pitman Crank Wheel and Thread Pull-off Lever Cam Set Screw.....
14019	533	Shuttle Race Back.....
2532	539	“ “ “ Position Pin.....
2533	533	“ “ “ Spring.....
648J	540	“ “ “ “ Screw.....
14951	—	“ “ “ Body.....
23075	—	“ “ “ 14951 with 14952 and two 662D.....
14952	2352	Shuttle Race Cap.....
662D	540	“ “ “ “ Screw.....
14950	2352	Shuttle Race complete, Nos. 648J, 2533, 14049, 23075 and two 2532.....
7593	530	Shuttle Race Bracket.....
7596	—	Shuttle Race Bracket complete, Nos. 7317, 7318, 7593, 14031, 14856, 15730 and three 2049.....
14051	532	Shuttle Race Bracket Adjusting Slide
219F	540	“ “ “ “ “ “ Screw.....
14026	2358	Shuttle Race Bracket Adjusting Slide Steady Pin.....
135D	2359	Shuttle Race Bracket Screw.....
145D	540	“ “ “ Screw.....
23057	2360	Tension Bracket with 7480 and four 453F
23058	—	Tension Bracket complete, Nos. 10309, 23057, 23059, two each 190D, 724D, 23063, four each 413c, 1560c, 2103, 7336, 11139 and eight 2102.....
159F	540	Tension Bracket Screw.....
2102	534	“ Disc.....
1560c	541	“ Regulating Thumb Nut.....
23059	2360	“ Releaser with 231F and 23060...
23060	2358	“ “ Adjusting Piece.....
231F	2358	“ “ “ “ “ Screw..

NO.	PLATE	NAME
724D	2359	Tension Releaser Screw .....
10309	2358	" " Spring .....
7480	—	" " " Hook .....
413C	2359	" Screw Stud .....
2103	539	" Spring .....
23063	2358	" Thread Eyelet (double) .....
190D	540	" " " Screw .....
14958	2350	Thread Guard for 23054 .....
233D	2358	" " " Screw .....
14959	2350	" Guide for 23054 .....
2410	534	" Guiding Roller .....
23061	2365	" " " Stud .....
810D	2365	" " " " Cap Screw ..
435C	540	" " " " Set Screw .....
23062	2365	" " " Thread Guard .....
23051	2365	" Pull-off Hook .....
207F	2365	" " " " Screw .....
7071	539	" " " " Washer .....
14962	550	" " " Lever .....
14963	2350	" " " Socket Joint .....
14964	2365	" " " " " Bracket with 14963 .....
389F	2365	Thread Pull-off Lever Socket Joint Bracket Screw .....
14965	2365	Thread Pull-off Lever Supporting Bracket
389F	2365	" " " " " " Screw .....
14967	2350	Thread Separator with 14968 .....
449C	2358	" " " Set Screw .....
14968	2350	" " " Thread Guard .....
*33903	—	" Take-up Cam (steel) .....
7562	532	" " " 33903 with 448c ..
2117	539	" " " Pin .....
448C	540	" " " Set Screw .....
*14969	550	" " " Lever with 1822 .....
23069	—	" " " 14969 with 79c ..
79C	540	" " " Hinge Screw .....
1822	541	" " " Roller and Stud .....
11139	2365	" " " Spring .....
7336	537	" " " Regulator .....
453F	540	" " " " " Set Screw .....
23065	—	Throat Plate, large needle hole, for 23064 ..
23066	2364	" " " small needle hole, for 23064 ..
23067	2364	" " " for 23064, for cording .....
219F	540	" " " Screw .....

NO.	PLATE	NAME
7542	2437	Drip Pan (power table) with five 1 in. wire nails .....
7545	2437	Drip Pan (stand) with five 1 in. wire nails

SINGER Needles should be used  
in SINGER Machines  
These Needles and their Containers  
are marked with the  
Company's Trade Mark "SIMANCO.\*\*" 1

Needles in Containers marked  
"FOR SINGER MACHINES"  
are NOT SINGER made needles. 2

## LIST OF PARTS COMPLETE

FOR

## MACHINE No. 37-5

FOR IMITATION CORDING IN LEATHER. TWO NEEDLES.  
HAS RIDGE ON FEED ACTING IN GROOVE IN ROLLER  
PRESSER. NEEDLE GUARD. KNEE LIFTER, DROP  
FEED.

NO.	PLATE	NAME
*14801	—	Arm.....
2002	534	" Dowel Pin.....
123E	540	" Screw.....
7252	530	" Shaft (horizontal).....
33875	2358	" " " Gear, 24 teeth, with 458c.....
2117	539	Arm Shaft (horizontal) Gear Pin.....
458c	2358	" " " " Set Screw....
144D	540	" " " " Screw.....
15517	2360	" " (upright).....
7599	534	" " " Collar with 462c....
2117	539	" " " " Pin.....
462c	2359	" " " " Set Screw....
33876	2358	" " " " Gear, 24 teeth, with 449c.....
2117	539	Arm Shaft (upright) Gear Pin.....
449c	2358	" " " " Set Screw....
*7257	—	" Side Plate.....
122D	2359	" " " " Screw.....
283D	2359	" " " " Thumb Screw.....
2415	—	" Spool Bracket.....
15063	531	" " " 2415 with two 12403
12403	539	" " " " Spool Pin and Thread Eyelet.....
11241	2362	Arm Spool Bracket Spool Pin Washer (cloth).....
145D	540	Arm Spool Bracket Screw.....
7370	530	Balance Wheel, 2¾ in. pulley, with two 448c.....
2862	2361	Balance Wheel (stand) heavy rim, 3 in. pulley, for 3022.....
448c	540	Balance Wheel Set Screw.....
*7258	—	Bed.....

NO.	PLATE	NAME
7259	531	Bed Leg.....
145E	540	" " " Screw.....
256J	533	Clamp Stop Motion Clamp Screw.....
248A	540	" " " " Stop Screw....
2020	533	" " " " Washer.....
*3023	533	" " " " Flanged Bushing....
4933	—	" " " " " 3023 with two 462c.....
2022	539	Clamp Stop Motion Flanged Bushing Pin
462c	2359	" " " " " Set Screw.....
3022J	—	Clamp Stop Motion complete, Nos. 248A, 256J, 2020 and 4933.....
14802	530	Face Plate.....
*23070	—	" " 14802 with 2827 and 14812..
190D	540	" " " Screw.....
7267	532	Feed Bar.....
313C	540	" " " Screw Centre.....
1519J	541	" " " " Nut.....
7268	539	" " " Spring.....
14895	547	" Dog with ridge, for imitation cording
219F	540	" " " Screw.....
7274	530	" Lever.....
7275	532	" " " Cam with two 435c.....
435c	540	" " " " Set Screw.....
7276	534	" " " Cap.....
159F	540	" " " " Screw.....
7277	537	" " " Raising Cam.....
190D	540	" " " " " Screw.....
7071	539	" " " " " Washer..
7280	530	" Regulator with 7278.....
7281	534	" " " Cap.....
183F	540	" " " " Screw.....
7278	534	" " " Socket Joint.....
271D	540	" " " " Thumb Screw.....
7279	532	" Rock Shaft.....
307C	540	" " " " " Screw Centre.....
1513J	541	" " " " " " Nut.....
25866	2362	Guide.....
286D	540	" " " Thumb Screw.....
23005	550	Needle Bar with 2273.....
*14803	532	" " " " " Connecting Link.....
23090	—	" " " " " 14803 with 2052.....
380c	541	Needle Bar Connecting Link Hinge Screw
1520E	541	" " " " " " " " "
		Nut.....

NO.	PLATE	NAME
2052	537	Needle Bar Connecting Stud with 155c...
155c	540	" " " " Set Screw...
14804	2353	" Clamp Body.....
14805	539	" " Gib.....
662D	540	" " Position Screw.....
196F	540	" " Screw.....
14807	—	Needle Clamp complete, Nos. 196F, 662D, 14804 and 14805.....
2273	2358	Needle Stop Pin.....
14031	532	Oscillating Rock Shaft with 4784.....
14856	534	" " " Crank with 735c...
2049	535	" " " " Pin.....
735c	2351	" " " " Set Screw...
4784	2358	" " " Oil Pad.....
7317	532	" Shaft.....
7318	534	" " Crank with 735c and 1813.....
2049	535	Oscillating Shaft Crank Pin.....
1813	541	" " " Roller and Stud...
735c	2351	" " " Set Screw.....
7299	532	Presser Bar.....
2062	531	" " Lifter.....
36c	540	" " " Screw.....
8399	531	" " Spring.....
7597	2358	" " Bracket with 453c....
453c	540	" " " Set Screw.....
2070	539	" " " Washer.....
263J	541	Pressure Regulating Thumb Screw.....
1875	2366	Roller, 1½ in. diam., with 634D and 1528J
6535	2366	" Arm.....
440F	2366	" " Adjusting Screw.....
1547J	2366	" " " " Nut.....
23025	2366	" " Bracket.....
316F	2366	" " " Screw Centre.....
1547J	2366	" " " " " Nut...
7556	2366	" " Lock Spring.....
176D	2366	" " " " Screw.....
1549J	2366	" " " " Nut.....
14897	2351	" Needle Guard (flat).....
207D	2365	" " " " Screw.....
14898	2351	" " " (round).....
171F	2366	" " " " Set Screw...
14896	2351	Roller Presser complete, 1½ in. roller, Nos. 171F, 176D, 207D, 440F, 1549J, 1875, 6535, 7556, 14897, 14898, 23025, two 316F and three 1547J.....
176D	2366	Roller Presser Screw.....

NO.	PLATE	NAME
634D	2366	Roller Screw.....
1528J	2366	" " Nut.....
2996	535	Shuttle Bobbin.....
15140	2363	" " Case Latch.....
2973	535	" " " " Lever.....
2974	535	" " " " " Fulerum Pin.....
2975	535	Shuttle Bobbin Case Latch Spring.....
592E	2363	" " " " Stop Screw...
15141	—	" " " Hinge, Nos. 2973, 2974 and 15140.....
7553	535	Shuttle Bobbin Case Position Finger.....
2523	2363	" " " " " Rivet.....
15727	2363	Shuttle Bobbin Case complete, Nos. 591F, 592E, 2523, 2975, 7553, 15098 and 15141
15728	2363	Shuttle Body.....
591F	2363	" Tension Regulating Screw.....
15098	2363	" " Spring.....
15729	—	Shuttle, 1½ in. diam., Nos. 2996, 15727 and 15728.....
*15730	—	Shuttle Driver.....
15731	2363	" " 15730 with two 462c....
2049	535	" " Pin.....
462c	2359	" " Set Screw.....
7319	530	" Pitman with 44361, 49308 and four 187D.....
*44361	—	Shuttle Pitman Cap (left).....
187D	2359	" " " " Screw.....
*49308	—	" " " (right).....
187D	2359	" " " " Screw.....
777c	541	" " Connecting Ball Joint Screw.....
1519E	541	Shuttle Pitman Connecting Ball Joint Screw Nut.....
7595	532	Shuttle Pitman Crank Wheel with 435c and 743c.....
743c	540	Shuttle Pitman Crank Wheel Position Screw.....
435c	510	Shuttle Pitman Crank Wheel Set Screw...
14049	533	" Race Back.....
2532	539	" " " Position Pin.....
2533	533	" " " Spring.....
648J	540	" " " " Screw.....
7323	—	" " Body.....
7326	533	" " Cap.....
662D	540	" " " Screw.....

NO.	PLATE	NAME
7322	533	Shuttle Race complete, Nos. 648J, 2533, 7323, 7326, 14049 and two each 662D and 2532.....
7593	530	Shuttle Race Bracket.....
7596	—	Shuttle Race Bracket complete, Nos. 7317, 7318, 7593, 14031, 14856, 15730 and three 2049.....
14051	532	Shuttle Race Bracket Adjusting Slide
219F	540	“ “ “ “ “ “ Screw.....
14105	2358	Shuttle Race Bracket Adjusting Slide Steady Pin.....
135D	2359	Shuttle Race Bracket Screw.....
145D	540	“ “ Screw.....
7355	2358	Tension Bracket.....
7354	—	Tension Bracket complete, Nos. 330D, 2413, 7355, two each 2103, 33929 and four 2102.....
193D	2359	Tension Bracket Screw.....
2413	539	“ “ Thread Eyelet (double).....
330D	540	“ “ “ “ Screw.....
2102	534	“ Disc.....
1560C	541	“ Regulating Thumb Nut.....
7598	2362	“ Releaser.....
193F	2359	“ “ Screw.....
637C	540	“ Screw Stud.....
33929	—	“ “ “ 637c with 1560c....
2103	539	“ Spring.....
14812	539	Thread Eyelet.....
2827	539	“ Guard with 8505.....
8505	2358	“ “ Rivet.....
2410	534	“ Guiding Roller.....
86D	540	“ “ “ Screw.....
698E	540	“ “ “ “ Stud.....
7332	539	“ “ “ Thread Guard....
*33900	—	Thread Guiding Roller complete, Nos. 86D, 698E, 2410, 7335 and 7336.....
*33903	—	Thread Take-up Cam (steel).....
7562	532	“ “ “ 33903 with 448c....
2117	539	“ “ “ Pin.....
448C	540	“ “ “ Set Screw.....
*7334	532	“ “ “ Lever with 1822.....
33850	—	“ “ “ 7334 with 79c....
79C	540	“ “ “ Hinge Screw.....
1822	541	“ “ “ Roller and Stud..
7335	539	“ “ “ Spring.....

NO.	PLATE	NAME
7336	537	Thread Take-up Spring Regulator.....
446c	540	“ “ “ “ “ Set Screw
14899	547	Throat Plate for 14895.....
219F	540	“ “ “ Screw.....
7542	2437	Drip Pan (power table) with five 1 in. wire nails.....
7545	2437	Drip Pan (stand) with five 1 in. wire nails

SINGER Needles should be used  
in SINGER Machines  
These Needles and their Containers  
are marked with the  
Company's Trade Mark "SIMANCO.\*\*" 1

Needles in Containers marked  
"FOR SINGER MACHINES"  
are NOT SINGER made needles. 2

## LIST OF PARTS COMPLETE

FOR

## MACHINE No. 37-6

FOR IMITATION CORDING. FOUR NEEDLES.

KNEE LIFTER. DROP FEED

NO.	PLATE	NAME
*23052	—	Arm with 122b, 283D and 7257
2002	534	" Dowel Pin
123E	540	" Screw
7252	530	" Shaft (horizontal)
33875	2358	" " " Gear, 24 teeth, with 458c
2117	539	Arm Shaft (horizontal) Gear Pin
458c	2358	" " " " Set Screw
144D	540	" " " Screw
14862	530	" " (upright)
7599	534	" " " Collar with 462c
2117	539	" " " " Pin
462c	2359	" " " " Set Screw
33876	2358	" " " Gear, 24 teeth, with 449c
2117	539	Arm Shaft (upright) Gear Pin
449c	2358	" " " " Set Screw
*7257	—	" Side Plate
122D	2359	" " " Screw
283D	2359	" " " Thumb Screw
14926	550	" Spool Bracket
14927	550	" " " Spool Pin
11241	2362	" " " " " Washer (cloth)
14929	2353	Arm Spool Bracket Thread Eyelet
190D	540	" " " " " Screw
14930	—	Arm Spool Bracket complete, Nos. 14926 and four each 190D, 11241, 14927 and 14929
145D	540	Arm Spool Bracket Screw
7370	530	Balance Wheel, 2 3/4 in. pulley, with two 448c
2862	2361	Balance Wheel (stand) heavy rim, 3 in. pulley, for 3022
448c	540	Balance Wheel Set Screw

NO.	PLATE	NAME
*14931	—	Bed
7259	531	" Leg
145E	540	" " Screw
256J	533	Clamp Stop Motion Clamp Screw
248A	540	" " " " Stop Screw
2020	533	" " " " Washer
*3023	533	" " " " Flanged Bushing
4933	—	" " " " " 3023 with two 462c
2022	539	Clamp Stop Motion Flanged Bushing Pin
462c	2359	" " " " " Set Screw
3022J	—	Clamp Stop Motion complete, Nos. 248A, 256J, 2020 and 4933
23053	2360	Face Plate
23054	—	Face Plate complete, Nos. 233D, 14958, 14959 and 23053
190D	540	Face Plate Screw
7267	532	Feed Bar
313C	540	" " Screw Centre
1519J	541	" " " " Nut
7268	539	" " Spring
14935	544	" Dog (double) for glove, shoe and general work
219F	540	Feed Dog Screw
7274	530	" Lever
14936	—	" " Cam with two 435c
435C	540	" " " Set Screw
7276	534	" " Cap
159F	540	" " " Screw
7277	537	" " Raising Cam
190D	540	" " " " Screw
7071	539	" " " " Washer
14937	—	" Regulator with 7278
7281	534	" " Cap
183F	540	" " " Screw
7278	534	" " Socket Joint
271D	510	" " Thumb Screw
7279	532	" Rock Shaft
307C	540	" " " Screw Centre
1513J	541	" " " " " Nut
25866	2362	Guide
286D	540	" Thumb Screw
23042	2360	Needle Bar with 23221
*14803	532	" " Connecting Link
23090	—	" " " " " 14803 with 2052



NO.	PLATE	NAME
380c	541	Needle Bar Connecting Link Hinge Screw
1520E	541	" " " " " "
		Nut .....
2052	537	Needle Bar Connecting Stud with 155c...
155c	540	" " " " Set Screw...
23043	2358	" Clamp Body .....
23044	2358	" " Gib .....
175F	2358	" " Screw .....
14868	539	" " Thread Eyelet .....
14906	2353	" " Guard .....
218D	535	" " " " Screw .....
23045	—	Needle Clamp complete for 23042, Nos. 175F, 218D, 14868, 14906, 23043 and 23044 .....
23221	2358	Needle Stop Pin for 23042 .....
23055	2358	Oil Cup with 23056 .....
14939	2350	" " Holder .....
1520E	541	" " Nut .....
23056	2358	" " Packing (felt) .....
14031	532	Oscillating Rock Shaft with 4784 .....
14856	534	" " " Crank with 735c .....
2049	535	" " " Pin .....
735c	2351	" " " Set Screw .....
4784	2358	" " " Oil Pad .....
7317	532	" Shaft .....
7318	534	" " Crank with 735c and 1813 .....
2049	535	Oscillating Shaft Crank Pin .....
1813	541	" " " Roller and Stud .....
735c	2351	" " " Set Screw .....
7299	532	Presser Bar .....
2062	531	" " Lifter .....
36c	540	" " " Screw .....
7597	2358	" " Lifting Bracket with 453c .....
453c	540	" " " Set Screw .....
8399	531	" " Spring .....
2070	539	" " Washer .....
14941	544	" Foot for 14935 .....
14942	546	" " with single centre groove, for 14935 and 14984 .....
14943	545	Presser Foot with single centre groove, for 14935 and 14983 .....
14944	545	Presser Foot with two grooves, $\frac{1}{16}$ in. gauge, for 14935 .....
14945	546	Presser Foot with two grooves, $\frac{5}{16}$ in. gauge, for 14935 .....

NO.	PLATE	NAME
14946	544	Presser Foot with three grooves, $\frac{3}{64}$ in. gauge, for cording .....
14947	544	Pressure Foot with three grooves, $\frac{1}{16}$ in. gauge, for cording .....
176D	2366	Presser Foot Screw .....
263J	541	Pressure Regulating Thumb Screw .....
2996	535	Shuttle Bobbin .....
15140	2363	" " Case Latch .....
2973	535	" " " " Lever .....
2974	535	" " " " " Fulcrum Pin .....
2975	535	Shuttle Bobbin Case Latch Spring .....
592E	2363	" " " " Stop Screw .....
15141	—	" " " " Hinge, Nos. 2973, 2974 and 15140 .....
7553	535	Shuttle Bobbin Case Position Finger .....
2523	2363	" " " " " Rivet .....
23007	2353	Shuttle Bobbin Case complete, Nos. 591F, 592E, 2523, 2975, 7553, 14953 and 15141
15728	2363	Shuttle Body .....
591F	2363	" Tension Regulating Screw .....
14953	2353	" " Spring .....
14948	2353	Shuttle, $1\frac{1}{8}$ in. diam., Nos. 2996, 15728 and 23007 .....
*15730	—	Shuttle Driver .....
15731	2363	" " 15730 with two 462c .....
2049	535	" " Pin .....
462c	2359	" " Set Screw .....
7319	530	" Pitman with 44361, 49308 and four 187D .....
*44361	—	Shuttle Pitman Cap (left) .....
187D	2359	" " " " Screw .....
*49308	—	" " " (right) .....
187D	2359	" " " " Screw .....
777c	541	" " " " Connecting Ball Joint Screw .....
1519E	541	Shuttle Pitman Connecting Ball Joint Screw Nut .....
14871	532	Shuttle Pitman Crank Wheel and Thread Pull-off Lever Cam with 435c and 743c
743c	540	Shuttle Pitman Crank Wheel and Thread Pull-off Lever Cam Position Screw .....
435c	540	Shuttle Pitman Crank Wheel and Thread Pull-off Lever Cam Set Screw .....
14049	533	Shuttle Race Back .....
2532	539	" " " " Position Pin .....
2533	533	" " " " Spring .....

NO.	PLATE	NAME
648J	540	Shuttle Race Back Spring Screw
14951	—	“ “ Body
23075	—	“ “ “ 14951 with 14952 and two 662b
14952	2352	Shuttle Race Cap
662D	540	“ “ “ Screw
14950	2352	Shuttle Race complete, Nos. 648J, 2533, 14049, 23075 and two 2532
7593	530	Shuttle Race Bracket
7596	—	Shuttle Race Bracket complete, Nos. 7317, 7318, 7593, 14031, 14856, 15730 and three 2049
14051	532	Shuttle Race Bracket Adjusting Slide
219F	540	“ “ “ “ “ Screw
14026	2358	Shuttle Race Bracket Adjusting Slide Steady Pin
135D	2359	Shuttle Race Bracket Screw
145D	540	“ “ Screw
23057	2360	Tension Bracket with 7480 and four 453F
23058	—	Tension Bracket complete, Nos. 10309, 23057, 23059, two each 190b, 724b, 23063, four each 413c, 1560c, 2103, 7336, 11139 and eight 2102
159F	540	Tension Bracket Screw
2102	534	“ Disc
1560c	541	“ Regulating Thumb Nut
23059	2360	“ Releaser with 231F and 23060
23060	2358	“ “ Adjusting Piece
231F	2358	“ “ “ “ Screw
724b	2359	“ “ “ “ Screw
10309	2358	“ “ “ “ Spring
7480	—	“ “ “ “ Hook
413c	2359	“ “ “ “ Screw Stud
2103	539	“ “ “ “ Spring
23063	2358	“ “ “ “ Thread Eyelet (double)
190b	540	“ “ “ “ Screw
14958	2350	Thread Guard for 23054
233D	2358	“ “ “ “ Screw
14959	2350	“ “ “ “ Guide for 23054
2410	534	“ “ “ “ Guiding Roller
23061	2365	“ “ “ “ Stud
810b	2365	“ “ “ “ “ Cap Screw
435c	540	“ “ “ “ “ Set Screw
23062	2365	“ “ “ “ “ Thread Guard
23051	2365	“ “ “ “ “ Pull-off Hook
207F	2365	“ “ “ “ “ Screw

NO.	PLATE	NAME
7071	539	Thread Pull-off Hook Screw Washer
14962	550	“ “ “ “ Lever
14963	2350	“ “ “ “ “ Socket Joint
14964	2365	“ “ “ “ “ “ Bracket with 14963
389F	2365	Thread Pull-off Lever Socket Joint Bracket Screw
14965	2365	Thread Pull-off Lever Supporting Bracket
389F	2365	“ “ “ “ “ “ “ Screw
14967	2350	Thread Separator with 14968
449c	2358	“ “ “ “ Set Screw
14968	2350	“ “ “ “ Thread Guard
*33903	—	“ “ “ “ Take-up Cam (steel)
7562	532	“ “ “ “ “ 33903 with 448c
2117	539	“ “ “ “ “ Pin
448c	540	“ “ “ “ “ Set Screw
*14969	550	“ “ “ “ “ Lever with 1822
23069	—	“ “ “ “ “ 14969 with 79c
79c	540	“ “ “ “ “ Hinge Screw
1822	541	“ “ “ “ “ Roller and Stud
11139	2365	“ “ “ “ “ Spring
7336	537	“ “ “ “ “ Regulator
453F	540	“ “ “ “ “ “ Set Screw
14980	544	Throat Plate, small needle hole, for 14935
14981	544	“ “ “ “ large needle hole, for 14935
14983	545	“ “ “ “ small needle hole, with 590b and 14882, for 14935, for fine glove work
14984	546	Throat Plate, large needle hole, with 590b and 14882, for 14935, for medium and heavy glove work and medium and light shoe work
14985	545	Throat Plate, large needle hole, with two each 590b and 14882, $\frac{1}{8}$ in. apart, for 14935, for medium and heavy glove work and fine and medium shoe work
14986	546	Throat Plate, large needle hole, with two each 590b and 14882, $\frac{5}{16}$ in. apart, for 14935, for medium and heavy glove work and fine and medium shoe work
23046	536	Throat Plate with 14882, 23047, 23048 and three 590b, for 14935, for $\frac{1}{8}$ in. gauge, for four needles, for imitation cording on glove backs

NO.	PLATE	NAME
23049	—	Throat Plate with 14882, 23047 and two 590D, for 14935, for $\frac{1}{16}$ in. gauge, for three needles, for imitation cording on glove backs.
23050	—	Throat Plate with 590D and 23047, for 14935, for $\frac{1}{16}$ in. gauge, for two needles, for imitation cording on glove backs.
14882	536	Throat Plate Ridge Guide for 14983 to 14986.
14882	536	Throat Plate Ridge Guide (centre) for 23046.
14882	536	Throat Plate Ridge Guide (right) for 23049.
23047	536	Throat Plate Ridge Guide for 23050.
23047	536	" " " " (left) for 23046 and 23049.
23048	536	Throat Plate Ridge Guide (right) for 23046.
590D	2359	" " " " Screw.
219F	540	" " " " Screw.
7542	2437	Drip Pan (power table) with five 1 in. wire nails.
7545	2437	Drip Pan (stand) with five 1 in. wire nails.

## LIST OF PARTS COMPLETE

FOR

## MACHINE No. 37-7

FOUR NEEDLES, ONE SHUTTLE, KNEE LIFTER.  
FOR VAMPING

NO.	PLATE	NAME
*23052	—	Arm with 122b, 283D and 7257.
2002	534	" Dowel Pin.
123E	540	" Screw.
7252	530	" Shaft (horizontal).
33875	2358	" " " Gear, 24 teeth, with 458c.
2117	539	Arm Shaft (horizontal) Gear Pin.
458c	2358	" " " " Set Screw.
144D	540	" " " Screw.
14862	530	" " (upright).
7599	534	" " " Collar with 462c.
2117	539	" " " " Pin.
462c	2359	" " " " Set Screw.
33876	2358	" " " Gear, 24 teeth, with 449c.
2117	539	Arm Shaft (upright) Gear Pin.
449c	2358	" " " " Set Screw.
*7257	—	" Side Plate.
122D	2359	" " " Screw.
283D	2359	" " " Thumb Screw.
14926	550	" Spool Bracket.
14927	550	" " " Spool Pin.
11241	2362	" " " " " Washer (cloth).
14929	2353	Arm Spool Bracket Thread Eyelet.
190D	540	" " " " " Screw.
14930	—	Arm Spool Bracket complete, Nos. 14926 and four each 190D, 11241, 14927 and 14929.
145D	540	Arm Spool Bracket Screw.
7370	530	Balance Wheel, $2\frac{3}{4}$ in. pulley, with two 448c.
2862	2361	Balance Wheel (stand) heavy rim, 3 in. pulley, for 3022.
448c	540	Balance Wheel Set Screw.

NO.	PLATE	NAME
*14931	—	Bed.....
7259	531	" Leg.....
145E	540	" " Screw.....
256J	533	Clamp Stop Motion Clamp Screw.....
248A	540	" " " " Stop Screw....
2020	533	" " " " Washer.....
*3023	533	" " " " Flanged Bushing....
4933	—	" " " " " 3023 with two 462c.....
2022	539	Clamp Stop Motion Flanged Bushing Pin
462c	2359	" " " " " " Set Screw.....
3022J	—	Clamp Stop Motion complete, Nos. 248A, 256J, 2020 and 4933.....
23053	2360	Face Plate.....
23054	—	Face Plate complete, Nos. 233D, 14958, 14959 and 23053.....
190D	540	Face Plate Screw.....
7267	532	Feed Bar.....
313c	540	" " Screw Centre.....
1519J	541	" " " " Nut.....
7268	539	" " Spring.....
14934	548	" Dog (single) for vamping and gen- eral work.....
219F	540	Feed Dog Screw.....
7274	530	" Lever.....
14936	—	" " Cam with two 435c.....
435c	540	" " " " Set Screw.....
7276	534	" " Cap.....
159F	540	" " " " Screw.....
7277	537	" " Raising Cam.....
190D	540	" " " " " Screw.....
7071	539	" " " " " " Washer..
14937	—	" Regulator with 7278.....
7281	534	" " Cap.....
183F	540	" " " " Screw.....
7278	534	" " Socket Joint.....
271D	540	" " Thumb Screw.....
7279	532	" Rock Shaft.....
307c	540	" " " " " " Screw Centre.....
1513J	541	" " " " " " Nut.....
25866	2362	Guide.....
286D	540	" Thumb Screw.....
14901	550	Needle Bar.....
*14803	532	" " Connecting Link.....
23090	—	" " " " " 14803 with 2052.....

NO.	PLATE	NAME
380c	541	Needle Bar Connecting Link Hinge Screw
1520E	541	" " " " " " "
		Nut.....
2052	537	Needle Bar Connecting Stud with 155c...
155c	540	" " " " " " Set Screw...
14903	2353	" Clamp Body.....
14904	2353	" " Gib (stationary).....
14905	2353	" " " (movable).....
196F	540	" " Screw.....
14906	2353	" " Thread Guard.....
337D	541	" " " " " " Screw.....
14908	—	Needle Clamp complete for 14901, Nos. 196F and 14903 to 14905.....
23055	2358	Oil Cup with 23056.....
14939	2350	" " Holder.....
1520E	541	" " " " Nut.....
23056	2358	" " Packing (felt).....
14031	532	Oscillating Rock Shaft with 4784.....
14856	534	" " " " Crank with 735c...
2049	535	" " " " " Pin.....
735c	2351	" " " " " " Set Screw..
4784	2358	" " " " Oil Pad.....
7317	532	" Shaft.....
7318	534	" " Crank with 735c and 1813.....
2049	535	Oscillating Shaft Crank Pin.....
1813	541	" " " " Roller and Stud..
735c	2351	" " " " " " Set Screw.....
7299	532	Presser Bar.....
2062	531	" " Lifter.....
36c	540	" " " " " " Screw.....
7597	2358	" " Lifting Bracket with 453c...
453c	540	" " " " " " Set Screw...
8399	531	" " Spring.....
2070	539	" " " " Washer.....
14910	2351	" Foot.....
14993	2351	" " Bracket with 197D, 14994 and 14995.....
14994	—	Presser Foot Bracket Cap (hinged).....
197D	2351	" " " " " " Screw.....
14995	2351	" " " " " " Hinge Pin....
4460	2351	" " Guide with 735c.....
735c	2351	" " " " " " Set Screw.....
4461	2351	" " Spring.....
4462	2351	" " " " " " Screw Bushing.....
1607D	2351	" " Stop Nut.....

NO.	PLATE	NAME
14996	2351	Presser Foot (spring presser) complete, Nos. 1607D, 4460 to 4462, 14910 and 14993.
176D	2366	Presser Foot Screw.
263J	541	Pressure Regulating Thumb Screw.
1897	2366	Roller, 1 1/4 in. diam., coarse, with 386D and 1528J.
2204	2366	Roller Arm.
440F	2366	" " Adjusting Screw.
1547J	2366	" " " " Nut.
2206	2366	" " Bracket.
316F	2366	" " " Screw Centre.
1547J	2366	" " " " " Nut.
2205	2366	" " Lock Spring.
176D	2366	" " " " Screw.
1549J	2366	" " " " " Nut.
14909	2351	Roller Presser complete, 1 1/4 in. coarse roller, Nos. 176D, 440F, 1549J, 1897, 2204 to 2206, two 316F and three 1547J.
176D	2366	Roller Presser Screw.
386D	2366	" Screw.
1528J	2366	" " Nut.
2996	535	Shuttle Bobbin.
15140	2363	" " Case Latch.
2973	535	" " " " Lever.
2974	535	" " " " " Fulcrum Pin.
2975	535	Shuttle Bobbin Case Latch Spring.
592E	2363	" " " " Stop Screw.
15141	—	Shuttle Bobbin Case Hinge, Nos. 2973, 2974 and 15140.
7553	535	Shuttle Bobbin Case Position Finger.
2523	2363	" " " " " Rivet.
23007	2353	Shuttle Bobbin Case complete, Nos. 591F, 592E, 2523, 2975, 7553, 14953 and 15141.
15728	2363	Shuttle Body.
591F	2363	" Tension Regulating Screw.
14953	2353	" " Spring.
14948	2353	Shuttle, 1 1/8 in. diam., Nos. 2996, 15728 and 23007.
*15730	—	Shuttle Driver.
15731	2363	" " 15730 with two 462c.
2049	535	" " Pin.
462c	2359	" " Set Screw.
7319	530	" Pitman with 44361, 49308 and four 187D.

NO.	PLATE	NAME
*44361	—	Shuttle Pitman Cap (left).
187D	2359	" " " " Screw.
*49308	—	" " " (right).
187D	2359	" " " " Screw.
777c	541	" " Connecting Ball Joint Screw.
1519E	541	Shuttle Pitman Connecting Ball Joint Screw Nut.
14871	532	Shuttle Pitman Crank Wheel and Thread Pull-off Lever Cam with 435c and 743c.
743c	540	Shuttle Pitman Crank Wheel and Thread Pull-off Lever Cam Position Screw.
435c	540	Shuttle Pitman Crank Wheel and Thread Pull-off Lever Cam Set Screw.
14049	533	Shuttle Race Back.
2532	539	" " " Position Pin.
2533	533	" " " Spring.
648J	540	" " " " Screw.
14951	—	" " " Body.
23075	—	" " " 14951 with 14952 and two 662D.
14952	2352	Shuttle Race Cap.
662D	540	" " " Screw.
14950	2352	Shuttle Race complete, Nos. 648J, 2533, 14049, 23075 and two 2532.
7593	530	Shuttle Race Bracket.
7596	—	Shuttle Race Bracket complete, Nos. 7317, 7318, 7593, 14031, 14856, 15730 and three 2049.
14051	532	Shuttle Race Bracket Adjusting Slide.
219F	540	" " " " " " Screw.
14026	2358	Shuttle Race Bracket Adjusting Slide Steady Pin.
135D	2359	Shuttle Race Bracket Screw.
145D	540	" " " Screw.
23057	2360	Tension Bracket with 7480 and four 453F.
23058	—	Tension Bracket complete, Nos. 10309, 23057, 23059, two each 190D, 724D, 23063, four each 413c, 1560c, 2103, 7336, 11139 and eight 2102.
159F	540	Tension Bracket Screw.
2102	534	" Disc.
1560c	541	" Regulating Thumb Nut.
23059	2360	" Releaser with 231F and 23060.
23060	2358	" " Adjusting Piece.
231F	2358	" " " " " Screw.

NO.	PLATE	NAME
724b	2359	Tension Releaser Screw
10309	2358	" " Spring
7480	—	" " Hook
413c	2359	" Screw Stud
2103	539	" Spring
23063	2358	" Thread Eyelet (double)
190d	540	" " " Screw
14958	2350	Thread Guard for 23054
233d	2358	" " " Screw
14959	2350	" Guide for 23054
2410	534	" Guiding Roller
23061	2365	" " " Stud
810d	2365	" " " " Cap Screw
435c	540	" " " " Set Screw
23062	2365	" " " Thread Guard
23051	2365	" Pull-off Hook
207F	2365	" " " Screw
7071	539	" " " " Washer
14962	550	" " Lever
14963	2350	" " " Socket Joint
14964	2365	" " " " Bracket with 14963
389F	2365	Thread Pull-off Lever Socket Joint Bracket Screw
14965	2365	Thread Pull-off Lever Supporting Bracket
389F	2365	" " " " " Screw
14967	2350	Thread Separator with 14968
449c	2358	" " " Set Screw
14968	2350	" " Thread Guard
*33903	—	" Take-up Cam (steel)
7562	532	" " " 33903 with 448c
2117	539	" " " Pin
448c	540	" " " Set Screw
*14969	550	" " Lever with 1822
23069	—	" " " 14969 with 79c
79c	540	" " " Hinge Screw
1822	541	" " " Roller and Stud
11139	2365	" " Spring
7336	537	" " " Regulator
453F	540	" " " " Set Screw
14982	548	Throat Plate, large needle hole, for 14934
219F	540	" " " Screw
7542	2437	Drip Pan (power table) with five 1 in. wire nails
7545	2437	Drip Pan (stand) with five 1 in. wire nails

## LIST OF PARTS COMPLETE

FOR

## MACHINE No. 37-8

FOR ORNAMMENTING GLOVE BACKS.  
TWO NEEDLES. DROP FEED

NO.	PLATE	NAME
*14801	—	Arm
2002	534	" Dowel Pin
123E	540	" Screw
7252	530	" Shaft (horizontal)
33875	2358	" " " Gear, 24 teeth, with 458c
2117	539	Arm Shaft (horizontal) Gear Pin
458c	2358	" " " " Set Screw
144d	540	" " " Screw
15517	2360	" " (upright)
7599	534	" " " Collar with 462c
2117	539	" " " " Pin
462c	2359	" " " " Set Screw
33876	2358	" " " Gear, 24 teeth, with 449c
2117	539	Arm Shaft (upright) Gear Pin
449c	2358	" " " " Set Screw
*7257	—	" Side Plate
122d	2359	" " " Screw
283d	2359	" " " Thumb Screw
2415	—	" Spool Bracket
15063	531	" " " 2415 with two 12403
12403	539	" " " Spool Pin and Thread Eyelet
11241	2362	Arm Spool Bracket Spool Pin Washer (cloth)
145d	540	Arm Spool Bracket Screw
7370	530	Balance Wheel, 2 3/4 in. pulley, with two 448c
2862	2361	Balance Wheel (stand) heavy rim, 3 in. pulley, for 3022
448c	540	Balance Wheel Set Screw
*7258	—	Bed
7259	531	" Leg
145E	540	" " Screw

NO.	PLATE	NAME
256J	533	Clamp Stop Motion Clamp Screw.....
248A	540	" " " " Stop Screw...
2020	533	" " " " Washer.....
*3023	533	" " " Flanged Bushing....
4933	—	Clamp Stop Motion Flanged Bushing 3023 with two 462c.....
2022	539	Clamp Stop Motion Flanged Bushing Pin
462c	2359	" " " " " Set Screw.....
3022J	—	Clamp Stop Motion complete, Nos. 248A, 256J, 2020 and 4933.....
14802	530	Face Plate.....
*23070	—	" " 14802 with 2827 and 14812..
190D	540	" " Screw.....
7267	532	Feed Bar.....
313c	540	" " Screw Centre.....
1519J	541	" " " " Nut.....
7268	539	" " Spring.....
23008	2354	" Dog.....
23015	2367	" " for circular imitation cording..
219F	540	" " Screw.....
7274	530	" Lever.....
7275	532	" " Cam with two 435c.....
435c	540	" " Set Screw.....
7276	534	" " Cap.....
159F	540	" " Screw.....
7277	537	" " Raising Cam.....
190D	540	" " " " Screw.....
7071	539	" " " " " Washer..
7280	530	" Regulator with 7278.....
7281	534	" " Cap.....
183F	540	" " Screw.....
7278	534	" " Socket Joint.....
271D	540	" " Thumb Screw.....
7279	532	" Rock Shaft.....
307c	540	" " " Screw Centre.....
1513J	541	" " " " Nut.....
25866	2362	Guide.....
286D	540	" Thumb Screw.....
23005	550	Needle Bar with 2273.....
23020	2360	" " " 15588, for circular imita- tion cording.....
*14803	532	Needle Bar Connecting Link.....
23090	—	" " " " 14803 with 2052.....
380c	541	Needle Bar Connecting Link Hinge Screw

NO.	PLATE	NAME
1520E	541	Needle Bar Connecting Link Hinge Screw Nut.....
2052	537	Needle Bar Connecting Stud with 155c...
155c	540	" " " " Set Screw...
14804	2353	" Clamp Body.....
14805	539	" " Gib.....
662D	540	" " Position Screw.....
196F	540	" " Screw.....
14807	—	Needle Clamp complete, Nos. 196F, 662D, 14804 and 14805.....
2273	2358	Needle Stop Pin for 23005.....
15588	2358	" " " " 23020.....
14031	532	Oscillating Rock Shaft with 4784.....
14856	534	" " " Crank with 735c..
2049	535	" " " " Pin.....
735c	2351	" " " " Set Screw..
4784	2358	" " " Oil Pad.....
7317	532	" Shaft.....
7318	534	" " Crank with 735c and 1813.....
2049	535	Oscillating Shaft Crank Pin.....
1813	541	" " " Roller and Stud..
735c	2351	" " " Set Screw.....
7299	532	Presser Bar.....
2062	531	" " Lifter.....
36c	540	" " Screw.....
8399	531	" " Spring.....
7597	2358	" " " Bracket with 453c....
453c	540	" " " " Set Screw....
2070	539	" " " Washer.....
23009	2354	" Foot for 23008.....
176D	2366	" " Screw.....
263J	541	Pressure Regulating Thumb Screw.....
1908	2365	Roller, $\frac{3}{8}$ in. diam., fine, with 388D and 1550J.....
23016	2365	Roller Arm.....
440F	2366	" " Adjusting Screw.....
1547J	2366	" " " " Nut.....
7555	2365	" " Bracket.....
316F	2366	" " " Screw Centre.....
1547J	2366	" " " " Nut...
7556	2366	" " Lock Spring.....
176D	2366	" " " " Screw.....
1549J	2366	" " " " " Nut.....
23017	2365	" Needle Guard.....
171F	2366	" " " Set Screw.....

NO.	PLATE	NAME
23018	2365	Roller Presser complete, $\frac{3}{8}$ in. fine roller, for circular imitation cording, for back of gloves, Nos. 171F, 176D, 440F, 1549J, 1908, 7555, 7556, 23016, 23017, two 316F and three 1547J.
176D	2366	Roller Presser Screw.
388D	2365	" " Screw.
1550J	2365	" " Nut.
2996	535	Shuttle Bobbin.
15140	2363	" " Case Latch.
2973	535	" " " " Lever.
2974	535	" " " " " Fulcrum Pin.
2975	535	Shuttle Bobbin Case Latch Spring.
592E	2363	" " " " Stop Screw.
15141	—	" " " Hinge, Nos. 2973, 2974 and 15140.
7553	535	Shuttle Bobbin Case Position Finger.
2523	2363	" " " " " Rivet.
15727	2363	Shuttle Bobbin Case complete, Nos. 591F, 592E, 2523, 2975, 7553, 15098 and 15141.
15728	2363	Shuttle Body.
591F	2363	" Tension Regulating Screw.
15098	2363	" " Spring.
15729	—	Shuttle, $1\frac{1}{8}$ in. diam., Nos. 2996, 15727 and 15728.
*15730	—	Shuttle Driver.
15731	2363	" " 15730 with two 462c.
2049	535	" " Pin.
462C	2359	" " Set Screw.
7319	530	" Pitman with 44361, 49308 and four 187D.
*44361	—	Shuttle Pitman Cap (left).
187D	2359	" " " " Screw.
*49308	—	" " " (right).
187D	2359	" " " " Screw.
777C	541	" " Connecting Ball Joint Screw.
1519E	541	Shuttle Pitman Connecting Ball Joint Screw Nut.
7595	532	Shuttle Pitman Crank Wheel with 435c and 743c.
743C	540	Shuttle Pitman Crank Wheel Position Screw.
435C	540	Shuttle Pitman Crank Wheel Set Screw.
14049	533	" Race Back.
2532	539	" " " Position Pin.

NO.	PLATE	NAME
2533	533	Shuttle Race Back Spring.
648J	540	" " " " Screw.
7323	—	" " Body.
7326	533	" " Cap.
662D	540	" " " Screw.
7322	533	Shuttle Race complete, Nos. 648J, 2533, 7323, 7326, 14049 and two each 662D and 2532.
7593	530	Shuttle Race Bracket.
7596	—	Shuttle Race Bracket complete, Nos. 7317, 7318, 7593, 14031, 14856, 15730 and three 2049.
14051	532	Shuttle Race Bracket Adjusting Slide
219F	540	" " " " " " Screw.
14105	2358	Shuttle Race Bracket Adjusting Slide Steady Pin.
135D	2359	Shuttle Race Bracket Screw.
145D	540	" " Screw.
7355	2358	Tension Bracket.
7354	—	Tension Bracket complete, Nos. 330D, 2413, 7355, two each 2103, 33929 and four 2102.
193D	2359	Tension Bracket Screw.
2413	539	" " Thread Eyelet (double).
330D	540	" " " " " Screw.
2102	534	" Disc.
1560C	541	" Regulating Thumb Nut.
7598	2362	" Releaser.
193F	2359	" " Screw.
637C	540	" Screw Stud.
33929	—	" " " 637c with 1560c.
2103	539	" Spring.
14812	539	Thread Eyelet.
2827	539	" Guard with 8505.
8505	2358	" " Rivet.
2410	534	" Guiding Roller.
86D	540	" " " Screw.
698E	540	" " " " Stud.
7332	539	" " " Thread Guard.
33900	—	Thread Guiding Roller complete, Nos. 86D, 698E, 2410, 7335 and 7336.
*33903	—	Thread Take-up Cam (steel).
7562	532	" " " 33903 with 448c.
2117	539	" " " Pin.
448C	540	" " " Set Screw.
*7334	532	" " " Lever with 1822.



NO.	PLATE	NAME
33850	—	Thread Take-up Lever 7334 with 79c....
79c	540	" " " Hinge Screw....
1822	541	" " " Roller and Stud..
7335	539	" " Spring.....
7336	537	" " " Regulator.....
446c	540	" " " " Set Screw
23010	2354	Throat Plate for 23008.....
23019	2367	" " " 23015, for circular imita- tion cording.....
23021	2367	Throat Plate for 23015, for general work..
219F	540	" " Screw.....
7542	2437	Drip Pan (power table) with five 1 in. wire nails.....
7545	2437	Drip Pan (stand) with five 1 in. wire nails

**SINGER** Needles should be used  
in **SINGER** Machines  
These Needles and their Containers  
are marked with the  
Company's Trade Mark "SIMANCO.\*\*" 1

Needles in Containers marked  
"FOR SINGER MACHINES"  
are NOT **SINGER** made needles. 2

## LIST OF PARTS COMPLETE

FOR

## MACHINE No. 37-9

**TWO NEEDLES, ONE SHUTTLE, DROP FEED, PRESSER FOOT  
AND THROAT PLATE FOR CORDING, AND PRESSER  
FOOT AND THROAT PLATE FOR IMITATION CORDING  
OR AIR TUCKING ON LIGHT FABRICS.**

NO.	PLATE	NAME
*14801	—	Arm.....
2002	534	" Dowel Pin.....
123E	540	" Screw.....
7252	530	" Shaft (horizontal).....
33875	2358	" " " Gear, 24 teeth, with 458c.....
2117	539	Arm Shaft (horizontal) Gear Pin.....
458c	2358	" " " " Set Screw...
144D	540	" " " Screw.....
15517	2360	" " (upright).....
7599	534	" " " Collar with 462c....
2117	539	" " " Pin.....
462c	2359	" " " " Set Screw....
33876	2358	" " " Gear, 24 teeth, with 449c.....
2117	539	Arm Shaft (upright) Gear Pin.....
449c	2358	" " " " Set Screw.....
*7257	—	" Side Plate.....
122D	2359	" " " Screw.....
283D	2359	" " " Thumb Screw.....
2415	—	" Spool Bracket.....
15063	531	" " " 2415 with two 12403
12403	539	" " " Spool Pin and Thread Eyelet.....
11241	2362	Arm Spool Bracket Spool Pin Washer (cloth).....
145D	540	Arm Spool Bracket Screw.....
7370	530	Balance Wheel, 2¾ in. pulley, with two 448c.....
2862	2361	Balance Wheel (stand) heavy rim, 3 in. pulley, for 3022.....
448c	540	Balance Wheel Set Screw.....
*7258	—	Bed.....

NO.	PLATE	NAME
7259	531	Bed Leg.....
145E	540	" " Screw.....
256J	533	Clamp Stop Motion Clamp Screw.....
248A	540	" " " " Stop Screw...
2020	533	" " " " Washer.....
*3023	533	" " " Flanged Bushing....
4933	—	" " " " " 3023 with two 462c.....
2022	539	Clamp Stop Motion Flanged Bushing Pin
462c	2359	" " " " " " Set Screw.....
3022J	—	Clamp Stop Motion complete, Nos. 248A, 256J, 2020 and 4933.....
14802	530	Face Plate.....
*23070	—	" " 14802 with 2827 and 14812...
190D	540	" " Screw.....
7267	532	Feed Bar.....
313c	540	" " Screw Centre.....
1519J	541	" " " " Nut.....
7268	539	" " Spring.....
23008	2354	" Dog.....
219F	540	" " Screw.....
7274	530	" Lever.....
7275	532	" " Cam with two 435c.....
435c	540	" " " Set Screw.....
7276	534	" " Cap.....
159F	540	" " " Screw.....
7277	537	" " Raising Cam.....
190D	540	" " " " Screw.....
7071	539	" " " " " Washer..
7280	530	" Regulator with 7278.....
7281	534	" " Cap.....
183F	540	" " " Screw.....
7278	534	" " Socket Joint.....
271D	540	" " Thumb Screw.....
7279	532	" Rock Shaft.....
307c	540	" " " Screw Centre.....
1513J	541	" " " " " Nut.....
25866	2362	Guide.....
286D	540	" Thumb Screw.....
7348	532	Needle Bar with 2273, for 15998.....
15998	—	Needle Bar complete, for $\frac{1}{8}$ in. gauge, Nos. 7348 and 14807.....
14921	550	Needle Bar for 15722.....

NO.	PLATE	NAME
15722	550	Needle Bar complete, for $\frac{5}{8}$ in. gauge and above, Nos. 337D, 2273, 14921, 15577 and 15723.....
		NOTE. When ordering No. 15722 give gauge required.
*14803	532	Needle Bar Connecting Link.....
23090	—	" " " " 14803 with 2052.....
380c	541	Needle Bar Connecting Link Hinge Screw
1520E	541	" " " " " " " Nut.....
2052	537	Needle Bar Connecting Stud with 155c...
155c	540	" " " " Set Screw...
14804	2353	" Clamp Body.....
14805	539	" " Gib.....
662D	540	" " Position Screw.....
196F	540	" " Screw.....
14807	—	Needle Clamp complete for 15998, Nos. 196F, 662D, 14804 and 14805.....
15723	2353	Needle Clamp with two 857H, for 15722
		NOTE. When ordering No. 15723 give gauge required.
2273	2358	Needle Clamp Pin.....
15577	2358	" " Thread Eyelet.....
337D	541	" " " " Screw.....
857H	2359	" Set Screw.....
2273	2358	" Stop Pin.....
14031	532	Oscillating Rock Shaft with 4784.....
14856	534	" " " Crank with 735c..
2049	535	" " " Pin.....
735c	2351	" " " " Set Screw..
4784	2358	" " " Oil Pad.....
7317	532	" Shaft.....
7318	534	" " Crank with 735c and 1813.....
2049	535	Oscillating Shaft Crank Pin.....
1813	541	" " " Roller and Stud..
735c	2351	" " " Set Screw.....
7299	532	Presser Bar.....
2062	531	" " Lifter.....
36c	540	" " " Screw.....
8399	531	" " Spring.....
7597	2358	" " " Bracket with 453c....
453c	540	" " " " Set Screw...
2070	539	" " " Washer.....
23011	2355	" Foot for 23008, for cording.....

NO.	PLATE	NAME
23012	2355	Presser Foot for 23008, for imitation cord- ing.....
176D	2366	Presser Foot Screw.....
263J	541	Pressure Regulating Thumb Screw.....
2996	535	Shuttle Bobbin.....
15140	2363	" " Case Latch.....
2973	535	" " " " Lever.....
2974	535	" " " " Fulcrum Pin.....
2975	535	Shuttle Bobbin Case Latch Spring.....
592E	2363	" " " " Stop Screw..
15141	—	" " " " Hinge, Nos. 2073, 2974 and 15140.....
7553	535	Shuttle Bobbin Case Position Finger.....
2523	2363	" " " " Rivet
15727	2363	Shuttle Bobbin Case complete, Nos. 591F, 592E, 2523, 2975, 7553, 15098 and 15141
15728	2363	Shuttle Body.....
591F	2363	" Tension Regulating Screw.....
15098	2363	" " Spring.....
15729	—	Shuttle, 1½ in. diam., Nos. 2090, 15727 and 15728.....
*15730	—	Shuttle Driver.....
15731	2363	" " 15730 with two 462c.....
2049	535	" " Pin.....
462C	2359	" " Set Screw.....
7319	530	" Pitman with 44301, 49308 and four 187D.....
*44361	—	Shuttle Pitman Cap (left).....
187D	2359	" " " " Screw.....
*49308	—	" " " (right).....
187D	2359	" " " " Screw.....
777C	541	" " Connecting Ball Joint Screw.....
1519E	541	Shuttle Pitman Connecting Ball Joint Screw Nut.....
7595	532	Shuttle Pitman Crank Wheel with 435C and 743C.....
743C	540	Shuttle Pitman Crank Wheel Position Screw.....
435C	540	Shuttle Pitman Crank Wheel Set Screw..
14049	533	" Race Back.....
2532	539	" " " Position Pin.....
2533	533	" " " Spring.....
648J	540	" " " " Screw.....
7323	—	" " Body.....
7326	533	" " Cap.....

NO.	PLATE	NAME
662D	540	Shuttle Race Cap Screw.....
7322	533	Shuttle Race complete, Nos. 648J, 2533, 7323, 7326, 14049 and two each 662D and 2532.....
7593	530	Shuttle Race Bracket.....
7596	—	Shuttle Race Bracket complete, Nos. 7317, 7318, 7593, 14031, 14856, 15730 and three 2049.....
14051	532	Shuttle Race Bracket Adjusting Slide
219F	540	" " " " " " Screw.....
14105	2358	Shuttle Race Bracket Adjusting Slide Steady Pin.....
135D	2359	Shuttle Race Bracket Screw.....
145D	540	" " " " " " Screw.....
7355	2358	Tension Bracket.....
7354	—	Tension Bracket complete, Nos. 330D, 2413, 7355, two each 2103, 33929 and four 2102.....
193D	2359	Tension Bracket Screw.....
2413	539	" " Thread Eyelet (double).
330D	540	" " " " " " Screw...
2102	534	" Disc.....
1560C	541	" Regulating Thumb Nut.....
7598	2362	" Releaser.....
193F	2359	" " " " " " Screw.....
637C	540	" " " " " " Screw Stud.....
33929	—	" " " " " " 637C with 1560C....
2103	539	" Spring.....
14812	539	Thread Eyelet.....
2827	539	" Guard with 8505.....
8505	2358	" " Rivet.....
2410	534	" Guiding Roller.....
86D	540	" " " " " " Screw.....
698E	540	" " " " " " Stud.....
7332	539	" " " " " " Thread Guard....
*33900	—	Thread Guiding Roller complete, Nos. 86D, 698E, 2410, 7335 and 7336.....
*33903	—	Thread Take-up Cam (steel).....
7562	532	" " " " 33903 with 448C..
2117	539	" " " " " " Pin.....
448C	540	" " " " " " Set Screw.....
*7334	532	" " " " " " Lever with 1822.....
33850	—	" " " " " " 7334 with 79C....
79C	540	" " " " " " Hinge Screw.....
1822	541	" " " " " " Roller and Stud..

NO.	PLATE	NAME
7335	539	Thread Take-up Spring .....
7336	537	" " " Regulator .....
446c	540	" " " " Set Screw
23013	2354	Throat Plate for 23008, for cording .....
23014	2355	" " " " for imitation cord- ing .....
219f	540	Throat Plate Screw .....
7542	2437	Drip Pan (power table) with five 1 in. wire nails .....
7545	2437	Drip Pan (stand) with five 1 in. wire nails

**SINGER Needles should be used  
in SINGER Machines  
These Needles and their Containers  
are marked with the  
Company's Trade Mark "SIMANCO.\*\*" 1**

**Needles in Containers marked  
"FOR SINGER MACHINES"  
are NOT SINGER made needles. 2**

## LIST OF PARTS COMPLETE

FOR

## MACHINE No. 37-10

FOR HAT SWEATS. DIFFERS FROM NO. 37-3 ONLY  
IN MAKING THE DIAGONAL STITCH REVERSED.

NO.	PLATE	NAME
*14815	—	Arm .....
2002	534	" Dowel Pin .....
123E	540	" Screw .....
14816	530	" Shaft (horizontal) .....
33875	2358	" " " Gear, 24 teeth, with 458c .....
2117	539	Arm Shaft (horizontal) Gear Pin .....
458c	2358	" " " " Set Screw .....
144d	540	" " " Screw .....
7471	530	" " (upright) .....
7599	534	" " " Collar with 462c .....
2117	539	" " " " Pin .....
462c	2359	" " " " Set Screw .....
33876	2358	" " " Gear, 24 teeth, with 449c .....
2117	539	Arm Shaft (upright) Gear Pin .....
449c	2358	" " " " Set Screw .....
*15565	—	" Side Plate .....
283d	2359	" " " Thumb Screw .....
2415	—	" Spool Bracket .....
23026	2362	" " " 2415 with two 9256 .....
9256	2362	" " " Spool Pin .....
11241	2362	" " " " Washer (cloth) .....
145d	540	Arm Spool Bracket Screw .....
7706	530	Balance Wheel with two 448c .....
448c	540	" " " Set Screw .....
*23027	—	Bed .....
7259	531	" Leg .....
145e	540	" " Screw .....
14818	530	Face Plate .....
190d	540	" " Screw .....
23028	2362	Feed (upper) Bar .....
199d	540	" " " Cap Screw .....
7725	537	" " " Guide Bracket with 453c .....

NO.	PLATE	NAME
453c	540	Feed (upper) Bar Guide Bracket Set Screw
14838	533	" " " Lifting Cam with two 453c.....
453c	540	Feed (upper) Bar Lifting Cam Set Screw
14839	531	" " " Lever with 180b and 453c.....
7730	539	Feed (upper) Bar Lifting Lever Hinge Pin
453c	540	" " " " " " " " Set Screw.....
14840	534	Feed (upper) Bar Lifting Lever Stud
180d	2359	" " " " " " " Clamping Screw.....
14843	534	Feed (upper) Bar Lifting Lever Stud Roller.....
7729	534	Feed (upper) Bar Lifting Lever Stud Roller Pin.....
14841	—	Feed (upper) Bar Lifting Lever Stud complete, Nos. 7729, 14840 and 14843
23024	2360	Feed Cam with two 453c.....
453c	540	" " Set Screw.....
14820	533	" Regulator.....
2049	535	" " Pin.....
1863	541	" " Roller and Screw Stud...
1613E	541	" " " " " " Nut
139E	541	" " " " " " " " Screw Pin.....
8800	539	Feed Regulator Roller and Screw Stud Washer.....
7710	530	Feed Shaft.....
14821	533	" " Crank with 453c and 1819..
2022	539	" " " Pin.....
1819	541	" " " Roller and Stud.....
453c	540	" " " Set Screw.....
23029	2355	Feeding Foot.....
846F	540	" " Screw.....
23030	2360	Needle Bar with 2273.....
*14803	532	" " Connecting Link.....
23090	—	" " " " 14803 with 2052.....
380c	541	Needle Bar Connecting Link Hinge Screw
1520E	541	" " " " " " " Nut.....
2052	537	Needle Bar Connecting Stud with 155c...
155c	540	" " " " Set Screw...
14804	2353	" Clamp Body.....
7353	539	" " Gib.....
662d	540	" " Position Screw.....

NO.	PLATE	NAME
23031	—	Needle Clamp complete, Nos. 196F, 662D, 7353, 14804 and 23033.....
196F	540	Needle Clamp Screw.....
23032	2355	" Plate.....
219F	540	" " Screw.....
23033	2365	" Separator.....
2273	2358	" Stop Pin.....
7327	533	Oscillating Rock Shaft.....
14856	534	" " " Crank with 735c...
23034	2365	" " " " (forked)...
2049	535	" " " " Pin.....
735c	2351	" " " " Set Screw...
7317	532	" Shaft.....
7318	534	" " Crank with 735c and 1813.....
2049	535	Oscillating Shaft Crank Pin.....
1813	541	" " " Roller and Stud...
735c	2351	" " " Set Screw.....
7526	532	Presser Bar.....
2062	531	" " Lifter.....
36c	540	" " Screw.....
8399	531	" " Spring.....
7717	533	" " Bracket with 453c....
453c	540	" " " Set Screw....
2070	539	" " " Washer.....
263J	541	Pressure Regulating Thumb Screw.....
2996	535	Shuttle Bobbin.....
15140	2363	" " Case Latch.....
2973	535	" " " " Lever.....
2974	535	" " " " " Fulcrum Pin.....
2975	535	Shuttle Bobbin Case Latch Spring.....
592E	2363	" " " " Stop Screw...
15141	—	" " " Hinge, Nos. 2973, 2974 and 15140.....
7553	535	Shuttle Bobbin Case Position Finger.....
2523	2363	" " " " " Rivet
23007	2353	Shuttle Bobbin Case complete, Nos. 591F, 592E, 2523, 2975, 7553, 14953 and 15141
14829	2363	Shuttle Body.....
591F	2363	" Tension Regulating Screw.....
14953	2353	" " Spring.....
23035	—	Shuttle, 1 1/8 in. diam., Nos. 2996, 14829 and 23007.....
*14830	535	Shuttle Driver.....
14892	—	" " 14830 with two 462c....
2049	535	" " Pin.....

NO.	PLATE	NAME
462C	2359	Shuttle Driver Set Screw.....
23036	2360	" Pitman.....
23037	2360	" " Bell Crank.....
23038	2362	" " " " Connection with two 22147 and four 196D.....
777C	541	Shuttle Pitman Bell Crank Connection Ball Joint Screw.....
1519E	541	Shuttle Pitman Bell Crank Connection Ball Joint Screw Nut.....
*22147	—	Shuttle Pitman Bell Crank Connection Cap.....
196D	540	Shuttle Pitman Bell Crank Connection Cap Screw.....
2D	2359	Shuttle Pitman Bell Crank Hinge Screw..
14832	2361	" " Crank Wheel with 435C and 743C.....
743C	540	Shuttle Pitman Crank Wheel Position Screw.....
435C	540	Shuttle Pitman Crank Wheel Set Screw..
375C	2359	" " Hinge Screw.....
1518E	541	" " " " Nut.....
14049	533	" Race Back.....
2532	539	" " " Position Pin.....
2533	533	" " " Spring.....
648J	540	" " " Screw.....
7323	—	" " Body.....
7326	533	" " Cap.....
662D	540	" " " Screw.....
7322	533	Shuttle Race complete, Nos. 648J, 2533, 7323, 7326, 14049 and two each 662D and 2532.....
23039	2361	Shuttle Race Bracket.....
23040	—	Shuttle Race Bracket complete, Nos. 7317, 7318, 7327, 14830, 14856, 23034, 23039 and four 2049.....
14051	532	Shuttle Race Bracket Adjusting Slide
219F	540	" " " " " "
		Screw.....
14026	2358	Shuttle Race Bracket Adjusting Slide Steady Pin.....
135D	2359	Shuttle Race Bracket Screw.....
145D	540	" " Screw.....
26763	2362	Spool Holder Bracket with 219D and 287D
219D	540	" " " Screw.....
287D	541	" " " Thumb Screw.....
19066	2362	" " Spindle.....
19067	2362	" " " Thread Guiding Disc

NO.	PLATE	NAME
691D	2365	Spool Holder Spindle Thread Guiding Disc Screw.....
26764	2362	Spool Holder (disc) complete, Nos. 691D, 19066, 19067 and 26763.....
14845	—	Sweat Band Guide.....
35543	—	" " " Shank.....
14847	—	" " " Spring.....
35544	2357	Sweat Band Guide complete, Nos. 14845, 14847 and 35543.....
14849	—	Sweat Band Edge Guide, for binding....
14850	—	" " " Shank.....
14851	538	Sweat Band Edge Guide complete, Nos. 14849 and 14850.....
236D	540	Sweat Band Edge Guide Screw.....
14852	—	" " Folder.....
14853	—	" " " Shank.....
14854	538	Sweat Band Folder complete, Nos. 14852 and 14853.....
236D	540	Sweat Band Folder Screw.....
35545	2357	Sweat Band Gauge complete, Nos. 14851, 14854, 35544 and three 236D.....
190D	540	Sweat Band Gauge Screw.....
7071	539	" " " Washer.....
14835	531	Tension Bracket.....
23041	—	Tension Bracket complete, Nos. 330D, 2103, 2413, 10148, 14835, two each 637C, 1560C and four 2102.....
217D	2359	Tension Bracket Screw.....
2413	539	" " Thread Eyelet (double)..
330D	540	" " " Screw.....
2102	534	" Disc.....
1560C	541	" Regulating Thumb Nut.....
637C	540	" Screw Stud.....
10148	2365	" Spring (back).....
2103	539	" " (front).....
7718	2365	Thread Eyelet (front of arm).....
460C	2365	" " Set Screw.....
2410	534	" Guiding Roller.....
86D	540	" " " Screw.....
698E	540	" " " Stud.....
7332	539	" " " Thread Guard....
*33900	—	Thread Guiding Roller complete, Nos. 86D, 698E, 2410, 7335 and 7336.....
*33903	—	Thread Take-up Cam (steel).....
7562	532	" " " 33903 with 448C...
2117	539	" " " Pin.....
448C	540	" " " Set Screw.....

NO.	PLATE	NAME
*7334	532	Thread Take-up Lever with 1822.....
33850	—	“ “ “ 7334 with 79c....
79c	540	“ “ “ Hinge Screw.....
1822	541	“ “ “ Roller and Stud..
7335	539	“ “ “ Spring.....
7336	537	“ “ “ Regulator.....
446c	540	“ “ “ “ Set Screw
7542	2437	Drip Pan (power table) with five 1 in. wire nails.....
7545	2437	Drip Pan (stand) with five 1 in. wire nails

## MACHINE HINGES

### FOR 37-2 TO 37-9 MACHINES

NO.	PLATE	NAME
14098	2359	Machine Hinge Connection (left) for 33888 and 33890.....
7263	533	Machine Hinge Connection (right) for 33889 and 33891.....
2809	539	Machine Hinge Connection Hinge Pin...
33887	2359	“ “ “ Plate.....
687E	541	“ “ “ Bolt with 1524E, for 33890 and 33891.....
1524E	541	Machine Hinge Plate Bolt Nut.....
6055	2366	“ “ “ “ “ Washer for 33890 and 33891.....
33888	—	Machine Hinge (left) complete (power table) Nos. 2809, 14098, 33887 and wood screw 1¼ in. No. 14.....
33889	—	Machine Hinge (right) complete (power table) Nos. 2809, 7263, 33887 and wood screw 1¼ in. No. 14.....
33890	—	Machine Hinge (left) complete (stand and bench stand) Nos. 687E, 2809, 6055, 14098 and 33887.....
33891	—	Machine Hinge (right) complete (stand and bench stand) Nos. 687E, 2809, 6055, 7263 and 33887.....

### FOR 37-10 MACHINE

37749	2359	Machine Hinge Connection.....
44139	2359	“ “ “ Plate.....
37750	—	Machine Hinge complete, Nos. 37749, 44139 and wood screw 1¼ in. No. 14

## ACCESSORIES

NO.	PLATE	NAME
27055	2361	Machine Button with wood screw 1¼ in. No. 14 R. H. B.....
41400	2362	Machine Rest Pin (wood).....
120342	5901	Oiler (copper plated) with 120343.....
120343	5901	“ Spout, 3½ in. long.....
26026	5901	Screw Driver (machine).....
26485	5901	“ “ (shuttle tension).....
120341	2362	Tweezers (curved).....
4347	5901	Wrench for 1513.....
8909	5901	“ “ “.....
8908	5901	“ “ 1519 and 1520.....
4822	5901	“ “ 1528, 1547 and 1549.....
22003	2362	“ “ 1550.....

## BOBBIN WINDER (Eccentric)

### FOR TIGHT WHEEL

#### FOR 37-2 AND 37-4 TO 37-9 MACHINES

NO.	PLATE	NAME
2466	531	Eccentric.....
286D	540	“ Thumb Screw.....
2467	531	Frame.....
2460	531	Friction Ring (rubber).....
2461	531	Pulley.....
2693	531	Spindle.....
2694	—	“ 2693 with 2461.....
2692	531	Bobbin Winder complete, Nos. 286D, 2460, 2466, 2467 and 2694.....
161D	540	Bobbin Winder Screw.....

## BOBBIN WINDER (Eccentric)

### FOR TIGHT WHEEL

#### FOR 37-3 AND 37-10 MACHINES

#### AND FOR LOOSE WHEEL

#### FOR 37-2 AND 37-4 TO 37-9 MACHINES

NO.	PLATE	NAME
2466	531	Eccentric.....
286D	540	“ Thumb Screw.....
7532	—	Frame.....

NO.	PLATE	NAME
2460	531	Friction Ring (rubber).....
2461	531	Pulley.....
2693	531	Spindle.....
2694	—	" 2693 with 2461.....
7531	531	Bobbin Winder complete, Nos. 280D, 2460, 2466, 2694 and 7532.....
161D	540	Bobbin Winder Screw.....

## KNEE LIFTER PARTS

FOR 37-2 AND 37-4 TO 37-9 MACHINES

NO.	PLATE	NAME
7535	542	Lifting Lever.....
802D	540	" " Hinge Screw.....
15773	2362	" " Spring.....
2763	542	Rock Shaft.....
12242	542	" " Hanger with two wood screws 1 in. No. 10, for 2777.....
7539	542	Rock Shaft Hanger with two wood screws 1 in. No. 10, for 12250.....
2765	542	Rock Shaft Knee Arm.....
2768	—	Rock Shaft Knee Arm complete, Nos. 2765 to 2767.....
2766	542	Rock Shaft Knee Arm Hub with 350c....
356c	541	" " " " Set Screw....
2767	542	" " " Plate with 356c.....
356c	541	" " " " Set Screw.....
6337	542	" " Lifting Bracket with two 350c
2778	542	" " " " Hook.....
356c	541	" " " " Set Screw
356c	541	" " " " Set Screw....
2770	542	" " Stop Dog with 356c.....
356c	541	" " " " Set Screw.....
2777	542	Rock Shaft complete for 23086, Nos. 2763, 2768, 2770, 2778, 6337 and two 12242
12250	—	Rock Shaft complete for 23087, Nos. 2763, 2768, 2778, 6337 and two each 2770 and 7539.....
23086	—	Knee Lifter complete (power table) Nos. 802D, 2777, 7535 and 15773.....
23087	—	Knee Lifter complete (stand) Nos. 802D, 7535, 12250 and 15773.....

## STAND

### ROCKING TREADLE

NO.	PLATE	NAME
25124	7803	Band Wheel, 12½ in. diam., with 2117 and 25010.....
25010	7802	Band Wheel Crank.....
2117	539	" " " Pin.....
297C	541	" " " Screw Centre.....
46629	—	" " " " " 297c with 1507J.....
1507J	541	Band Wheel Crank Screw Centre Nut..
25015	—	Belt, size, ¾ in., length 61½ in., with 25027.....
25027	2366	Belt Hook.....
46667	—	Brace.....
46533	7802	" 46667 with three 46629.....
46662	7803	Brace (sectional) complete, Nos. 46528, 46663 and three 880E.....
46528	7803	Brace Section (left) with 46629.....
46663	7803	" " (right) with two 46629....
880E	2359	" " Screw.....
748E	2359	" Screw.....
46522	7802	Leg.....
25123	—	Pitman Adjusting Block.....
558E	541	" " Screw.....
1570E	541	" " " Nut.....
25075	539	" " " Washer.....
25074	7802	Pitman (adjustable) complete with two each 558E, 1570E, 25075 and 25123....
7958	539	Pitman Pin.....
11742	539	" Washer.....
25082	7802	Treadle.....
297C	541	" Screw Centre.....
46629	—	" " " 297c with 1507J....
1507J	541	" " " Nut.....
25086	7802	Wrench for 1507.....
25288	—	Stand (iron work) complete, Nos. 7958, 11742, 25074, 25082, 25086, 25124, 46533, two 46522 and four 748E.....



## OBSOLETE PARTS

NO.	PLATE	NAME
14925	---	Arm for 37-4, 37-6 and 37-7 Machines...
7253	533	" Shaft (horizontal) Gear, 24 teeth, with 449c.....
7256	533	Arm Shaft (upright) Gear, 24 teeth, with 449c.....
14928	---	Arm Spool Bracket Spool Pin Washer (cloth) for 37-4, 37-6 and 37-7 Machines, use 11241.....
14932	---	Face Plate for 14933.....
14933	---	Face Plate complete for 37-4, 37-6 and 37-7 Machines, Nos. 233D, 14932, 14958 and 14959.....
14819	532	Feed Cam with two 453c, for 37-3 Machine
14865	532	Needle Bar, for general work, for 37-4, 37-6 and 37-7 Machines.....
14997	539	Needle Clamp Body with 196F and two 620F, for 14999.....
14998	2353	Needle Clamp Gib for 620, for 14999.....
23022	---	" " " " $\frac{3}{8}$ in., $\frac{1}{2}$ in. and $\frac{3}{4}$ in. gauges, for 37-4 Machine.....
14999	---	Needle Clamp complete for 37-4 and 37-6 Machines, Nos. 218D, 14805, 14868, 14906, 14997 and 14998.....
3217	539	Needle Separator, $\frac{3}{8}$ in. gauge, for 37-2 Machine.....
14809	539	Needle Separator, $\frac{1}{8}$ in. gauge, for 37-2 Machine.....
23023	---	Needle Separator, $\frac{1}{8}$ in. gauge, for 37-4 Machine.....
14907	2353	Needle Separator for 14908.....
620F	---	" Set Screw for 14997.....
4459	---	Presser Foot Bracket with 465F.....
465F	---	" " " Set Screw.....
14911	---	Presser Foot (spring presser) complete for 37-7 Machine, Nos. 1607D, 4459 to 4462 and 14910, use 14996.....
14938	2350	Oil Cup with 14940.....
14940	2350	" " Packing.....
7579	535	Shuttle Bobbin Case Latch.....
2521	535	" " " " Spring.....
14826	---	Shuttle Bobbin Case complete for 14825, Nos. 591F, 592E, 2521, 2523, 7330, 7579 and 14828, use 14891.....
2972	535	Shuttle Bobbin Case Latch.....

## OBSOLETE PARTS

NO.	PLATE	NAME
15003	---	Shuttle Bobbin Case Hinge, Nos. 2972 to 2974.....
14891	---	Shuttle Bobbin Case complete for 14890, Nos. 591F, 592E, 2523, 2975, 7330, 14828 and 15003, use 23006.....
14949	---	Shuttle Bobbin Case complete for 14948, Nos. 591F, 592E, 2523, 2975, 7553, 14953 and 15003, use 23007.....
14825	---	Shuttle, $1\frac{1}{8}$ in. diam., for 37-3 Machine, Nos. 2996, 14826 and 14829, use 14890
7324	---	Shuttle Race Bracket.....
14954	550	Tension Bracket with 7480.....
14955	2353	" " Thread Eyelet (double).
331D	---	" " " " Screw.....
14956	550	Tension Bracket complete for 37-4, 37-6 and 37-7 Machines, Nos. 10309, 14954, 14957, two each 82D, 331D, 14955, four each 637c, 1560c, 2103 and eight 2102
14957	550	Tension Releaser with 236F and 29304...
29301	---	" " Adjusting Piece.....
236F	540	" " " " Screw...
82D	---	" " Screw.....
14960	2350	Thread Guiding Roller for 37-4, 37-6 and 37-7 Machines.....
14961	2350	Thread Guiding Roller Stud for 37-4, 37-6 and 37-7 Machines.....
14966	2350	Thread Pull-off Hook for 37-4, 37-6 and 37-7 Machines.....
Nos. 14970 TO 14979 FOR 37-4, 37-6 AND 37-7 MACHINES		
14970	2350	Thread Take-up Spring inside (music wire)
14971	2350	" " " outside (music wire).....
14972	2350	Thread Take-up Spring Adjusting Lever for 14970.....
14973	2350	Thread Take-up Spring Adjusting Lever for 14971.....
14974	2350	Thread Take-up Spring Adjusting Lever Hinge Pin.....
14975	2353	Thread Take-up Spring Hook for re-threading.....
14976	2350	Thread Take-up Spring Regulator.....
14977	2350	" " " Shield.....
14978	2350	" " " Stud.....
14979	2350	" " " " Bracket....

## NUMERICAL LIST OF PARTS

NO.	PLATE	NAME
2d	2359	Shuttle Pitman Bell Crank Hinge Screw for 37-10 Machine .....
36c	540	Presser Bar Lifter Screw .....
79c	540	Thread Take-up Lever Hinge Screw for 23069 and 33850 .....
82d	—	Tension Releaser Screw for 14956, obsolete
86d	540	Thread Guiding Roller Screw for 33900
122d	2359	Arm Side Plate Screw for 37-2, 37-5, 37-8 and 37-9 Machines and 23052 .....
123E	540	Arm Screw .....
135d	2359	Shuttle Race Bracket Screw .....
139E	541	Feed Regulator Roller and Screw Stud Nut Screw Pin for 37-3 and 37-10 Machines .....
144d	540	Arm Shaft (horizontal) Screw .....
145d	540	“ Spool Bracket Screw .....
145d	540	Shuttle Race Screw .....
145E	540	Bed Leg Screw .....
155c	540	Needle Bar Connecting Stud Set Screw for 2052 .....
159F	540	Feed Lever Cap Screw for 37-2 and 37-4 to 37-9 Machines .....
159F	540	Tension Bracket Screw for 37-4, 37-6 and 37-7 Machines .....
161d	540	Bobbin Winder Screw for 2692 and 7531
171F	2366	Roller Needle Guard Set Screw for 23018
171F	2366	“ “ “ (round) Set Screw for 14896 .....
175F	2358	Needle Clamp Screw for 23045 .....
176d	2366	Presser Foot Screw for 37-2, 37-4 and 37-6 to 37-9 Machines .....
176d	2366	Roller Arm Lock Spring Screw for 14896, 14909 and 23018 .....
176d	2366	Roller Presser Screw for 37-5, 37-7 and 37-8 Machines .....
180d	2359	Feed (upper) Bar Lifting Lever Stud Clamping Screw for 14839 .....
180j	2359	Vibrating Feed Bar Lifting Lever Stud Clamping Screw for 14839 .....
183F	540	Feed Regulator Cap Screw for 37-2 and 37-4 to 37-9 Machines .....

NO.	PLATE	NAME
187D	2359	Shuttle Pitman Cap (left) Screw for 7319
187D	2359	" " " (right) Screw for 7319
190D	540	Arm Spool Bracket Thread Eyelet Screw for 14930.....
190D	540	Corder Screw for 37-4 Machine.....
190D	540	Face Plate Screw.....
190D	540	Feed Lever Raising Cam Screw for 37-2 and 37-4 to 37-9 Machines.....
190D	540	Sweat Band Gauge Screw for 37-3 and 37-10 Machines.....
190D	540	Tension Thread Eyelet Screw for 23058..
193D	2359	" Bracket Screw for 37-2, 37-5, 37-8 and 37-9 Machines.....
193F	2359	Tension Releaser Screw for 37-2, 37-5, 37-8 and 37-9 Machines.....
196D	540	Shuttle Pitman Bell Crank Connection Cap Screw for 23038.....
196D	540	Shuttle Pitman Cap (left) Screw for 14831
196D	540	" " " (right) Screw for 14831.....
196F	540	Needle Clamp Screw for 14807, 14808, 14908, 14997 and 23031.....
197D	2351	Presser Foot Bracket Cap Screw for 14993
199D	540	Feed (upper) Bar Cap Screw for 37-10 Machine.....
199D	540	Vibrating Feed Bar Hinge Cap Screw for 37-3 Machine.....
207D	2365	Roller Needle Guard (flat) Screw for 14896
207F	2365	Thread Pull-off Hook Screw for 37-4, 37-6 and 37-7 Machines.....
217D	2359	Tension Bracket Screw for 37-3 and 37-10 Machines.....
218D	535	Needle Clamp Thread Guard Screw for 14999 and 23045.....
219F	540	Feed Dog Screw for 37-2 and 37-4 to 37-9 Machines.....
219F	540	Needle Plate Screw for 37-10 Machine
219F	540	Shuttle Race Bracket Adjusting Slide Screw.....
219D	540	Spool Holder Bracket Screw for 26763..
219F	540	Throat Plate Screw.....
231F	2358	Tension Releaser Adjusting Piece Screw for 23059.....
233D	2358	Thread Guard Screw for 14933 and 23054
236D	540	Sweat Band Edge Guide Screw for 14855 and 35545.....

NO.	PLATE	NAME
236D	540	Sweat Band Folder Screw for 14855 and 35545.....
236F	540	Tension Releaser Adjusting Piece Screw for 14957, obsolete.....
248A	540	Clamp Stop Motion Clamp Stop Screw for 3022.....
256J	533	Clamp Stop Motion Clamp Screw for 3022
263J	541	Pressure Regulating Thumb Screw.....
271D	540	Feed Regulator Thumb Screw for 37-2 and 37-4 to 37-9 Machines.....
283D	2359	Arm Side Plate Thumb Screw for 37-2, 37-3, 37-5 and 37-8 to 37-10 Machines and 23052.....
286D	540	Bobbin Winder Eccentric Thumb Screw for 2692 and 7531.....
286D	540	Guide Thumb Screw for 37-2 and 37-5 to 37-9 Machines.....
287D	541	Spool Holder Bracket Thumb Screw for 26763.....
297C	541	Band Wheel Crank Screw Centre for 46629
297C	541	Treadle Screw Centre for 46629.....
307C	540	Feed Rock Shaft Screw Centre for 37-2 and 37-4 to 37-9 Machines.....
313C	540	Feed Bar Screw Centre for 37-2 and 37-4 to 37-9 Machines.....
316F	2366	Roller Arm Bracket Screw Centre for 14896, 14909 and 23018.....
330D	540	Tension Bracket Thread Eyelet Screw for 7354, 14836 and 23041.....
331D	—	Tension Bracket Thread Eyelet Screw for 14956, obsolete.....
337D	541	Needle Clamp Thread Eyelet Screw for 15722.....
337D	541	Needle Clamp Thread Guard Screw for 37-7 Machine.....
356C	541	Rock Shaft Knee Arm Hub Set Screw for 2766.....
356C	541	Rock Shaft Knee Plate Set Screw for 2767
356C	541	" " Lifting Bracket Hook Set Screw for 6337.....
356C	541	Rock Shaft Lifting Bracket Set Screw for 6337.....
356C	541	Rock Shaft Stop Dog Set Screw for 2770
375C	2359	Shuttle Pitman Hinge Screw for 37-10 Machine.....
380C	541	Needle Bar Connecting Link Hinge Screw
386D	2366	Roller Screw for 1897.....

NO.	PLATE	NAME
388D	2365	Roller Screw for 1908.....
389F	2365	Thread Pull-off Lever Socket Joint Bracket Screw for 37-4, 37-6 and 37-7 Machines.....
389F	2365	Thread Pull-off Lever Supporting Bracket Screw for 37-4, 37-6 and 37-7 Machines.....
413C	2359	Tension Screw Stud for 23058.....
435C	540	Feed Lever Cam Set Screw for 7275 and 14936.....
435C	540	Shuttle Pitman Crank Wheel Set Screw for 7595 and 14832.....
435C	540	Shuttle Pitman Crank Wheel and Thread Pull-off Lever Cam Set Screw for 14871
435C	540	Thread Guiding Roller Stud Set Screw for 37-4, 37-6 and 37-7 Machines.....
440F	2366	Roller Arm Adjusting Screw for 14896, 14909 and 23018.....
446C	540	Thread Take-up Spring Regulator Set Screw for 37-2, 37-3, 37-5 and 37-8 to 37-10 Machines.....
448C	540	Balance Wheel Set Screw for 7370 and 7706.....
448C	540	Thread Take-up Cam Set Screw for 7562
449C	2358	" Separator Set Screw for 37-4, 37-6 and 37-7 Machines.....
449C	2358	Arm Shaft (upright) Gear Set Screw for 7253, 7256 and 33876.....
453C	540	Feed (upper) Bar Guide Bracket Set Screw for 7725.....
453C	540	Feed (upper) Bar Lifting Cam Set Screw for 14838.....
453C	540	Feed (upper) Bar Lifting Lever Hinge Pin Set Screw for 14839.....
453C	540	Feed Cam Set Screw for 14819 and 23024
453C	540	" Shaft Crank Set Screw for 14821..
453C	540	Presser Bar Lifting Bracket Set Screw for 7597.....
453C	540	Presser Bar Spring Bracket Set Screw for 7597 and 7717.....
453F	540	Thread Take-up Spring Regulator Set Screw for 23057.....
453C	540	Vibrating Feed Bar Guide Bracket Set Screw for 7725.....
453C	540	Vibrating Feed Bar Lifting Cam Set Screw for 14838.....

NO.	PLATE	NAME
453C	540	Vibrating Feed Bar Lifting Lever Hinge Pin Set Screw for 14839.....
458C	2358	Arm Shaft (horizontal) Gear Set Screw for 33875.....
460C	2365	Thread Eyelet Set Screw for 37-10 Ma- chine.....
462C	2359	Arm Shaft (upright) Collar Set Screw for 7599.....
462C	2359	Clamp Stop Motion Flanged Bushing Set Screw for 4933.....
462C	2359	Shuttle Driver Set Screw for 14892 and 15731.....
465F	—	Presser Foot Bracket Set Screw for 4459, obsolete.....
558E	541	Pitman Adjusting Screw for 25074.....
590D	2359	Throat Plate Ridge Guide Screw for 14983 to 14986, 23046, 23049 and 23050.....
591F	2363	Shuttle Tension Regulating Screw for 14826, 14891, 14949, 15727, 23006 and 23007.....
592E	2363	Shuttle Bobbin Case Latch Stop Screw for 14826, 14891, 14949, 15727, 23006 and 23007.....
620F	—	Needle Set Screw for 14997, obsolete....
634D	2366	Roller Screw for 1875.....
637C	540	Tension Screw Stud for 14836, 14956, 23041 and 33929.....
648J	540	Shuttle Race Back Spring Screw for 7322, 14833 and 14950.....
662D	540	Needle Clamp Position Screw for 14807, 14808 and 23031.....
662D	540	Shuttle Race Cap Screw for 7322, 23075 and 23083.....
687E	541	Machine Hinge Plate Bolt with 1524E, for 33890 and 33891.....
691D	2365	Spool Holder Spindle Thread Guiding Disc Screw for 26764.....
698E	540	Thread Guiding Roller Screw Stud for 33900.....
724D	2359	Tension Releaser Screw for 23058.....
735C	2351	Oscillating Rock Shaft Collar Set Screw for 14823.....
735C	2351	Oscillating Rock Shaft Crank Set Screw for 14856.....
735C	2351	Oscillating Shaft Crank Set Screw for 7318
735C	2351	Presser Foot Guide Set Screw for 4460

NO.	PLATE	NAME
743c	540	Shuttle Pitman Crank Wheel Position Screw for 7595 and 14832.....
743c	540	Shuttle Pitman Crank Wheel and Thread Pull-off Lever Cam Position Screw for 14871.....
748E	2359	Brace Screw for 25288.....
777c	541	Shuttle Pitman Bell Crank Connection Ball Joint Screw for 37-10 Machine...
777c	541	Shuttle Pitman Connecting Ball Joint Screw for 37-2 to 37-9 Machines.....
802D	540	Lifting Lever Hinge Screw for 23086 and 23087.....
810D	2365	Thread Guiding Roller Stud Cap Screw for 37-4, 37-6 and 37-7 Machines.....
846F	540	Feeding Foot Screw for 37-10 Machine..
846F	540	Vibrating Feeding Foot Screw for 37-3 Machine.....
857H	2359	Needle Set Screw for 15723.....
880E	2359	Brace Section Screw for 46662.....
1507J	541	Band Wheel Crank Screw Centre Nut for 46629.....
1507J	541	Treadle Screw Centre Nut for 46629....
1513J	541	Feed Rock Shaft Screw Centre Nut for 37-2 and 37-4 to 37-9 Machines.....
1518E	541	Shuttle Pitman Hinge Screw Nut for 37-10 Machine.....
1519J	541	Feed Bar Screw Centre Nut for 37-2 and 37-4 to 37-9 Machines.....
1519E	541	Shuttle Pitman Bell Crank Connection Ball Joint Screw Nut for 37-10 Machine
1519E	541	Shuttle Pitman Connecting Ball Joint Screw Nut for 37-2 to 37-9 Machines
1520E	541	Needle Bar Connecting Link Hinge Screw Nut.....
1520E	541	Oil Cup Holder Nut for 37-4, 37-6 and 37-7 Machines.....
1524E	541	Machine Hinge Plate Bolt Nut for 687E
1528J	2366	Roller Screw Nut for 1875 and 1897.....
1547J	2366	" Arm Adjusting Screw Nut for 14896, 14909 and 23018.....
1547J	2366	Roller Arm Bracket Screw Centre Nut for 14896, 14909 and 23018.....
1549J	2366	Roller Arm Lock Spring Screw Nut for 14896, 14909 and 23018.....
1550J	2365	Roller Screw Nut for 1908.....
1560c	541	Tension Regulating Thumb Nut for 14836, 14956, 23041, 23058 and 33929.....

NO.	PLATE	NAME
1570E	541	Pitman Adjusting Screw Nut for 25074..
1607D	2351	Presser Foot Stop Nut for 14911 and 14996
1613E	541	Feed Regulator Roller and Screw Stud Nut for 37-3 and 37-10 Machines.....
1813	541	Oscillating Shaft Crank Roller and Stud for 7318.....
1819	541	Feed Shaft Crank Roller and Stud for 14821.....
1822	541	Thread Take-up Lever Roller and Stud for 7334 and 14969.....
1863	541	Feed Regulator Roller and Screw Stud for 37-3 and 37-10 Machines.....
1875	2366	Roller, 1½ in. diam., with 634D and 1528J, for 14896.....
1897	2366	Roller, 1¼ in. diam., coarse, with 386D and 1528J, for 14909.....
1908	2365	Roller, ⅝ in. diam., fine, with 388D and 1550J, for 23018.....
2002	534	Arm Dowel Pin.....
2020	533	Clamp Stop Motion Clamp Washer for 3022J.....
2022	539	Clamp Stop Motion Flanged Bushing Pin for 37-2 and 37-4 to 37-9 Machines....
2022	539	Feed Shaft Crank Pin for 37-3 and 37-10 Machines.....
2022	539	Shuttle Race Bracket Dowel Pin for 37-3 Machine.....
2049	535	Feed Regulator Pin for 37-3 and 37-10 Machines.....
2049	535	Oscillating Rock Shaft Fork Pin for 23089
2049	535	" " " Crank Pin for 7596 and 23040.....
2049	535	Oscillating Shaft Crank Pin for 7596, 23040 and 23089.....
2049	535	Shuttle Driver Pin for 7596, 23040 and 23089.....
2052	537	Needle Bar Connecting Stud with 155c, for 23090.....
2062	531	Presser Bar Lifter.....
2070	539	" " Spring Washer.....
2102	534	Tension Disc for 7354, 14836, 14956, 23041 and 23058.....
2103	539	Tension Spring for 7354, 14836, 14956 and 23058.....
2103	539	Tension Spring (ont) for 23041.....
2117	539	Arm Shaft (horizontal) Gear Pin.....
2117	539	" " (upright) Collar Pin.....

## NUMERICAL LIST OF PARTS

NO.	PLATE	NAME
2117	539	Arm Shaft (upright) Gear Pin .....
2117	539	Band Wheel Crank Pin for 25124 .....
2117	539	Thread Take-up Cam Pin .....
Nos. 2204 TO 2206 FOR 14909		
2204	2366	Roller Arm .....
2205	2366	" " Lock Spring .....
2206	2366	" " Bracket .....
2273	2358	Needle Clamp Pin for 7348 .....
2273	2358	" Stop Pin for 15722, 23005 and 23030 .....
2410	534	Thread Guiding Roller for 37-4, 37-6 and 37-7 Machines and 33900 .....
2413	539	Tension Bracket Thread Eyelet (double) for 7354, 14836 and 23041 .....
2415	—	Arm Spool Bracket for 15063 and 23028
2419	2362	Shuttle Race Back for 14833 .....
2460	531	Bobbin Winder Friction Ring (rubber) for 2692 and 7531 .....
2461	531	Bobbin Winder Pulley for 2694 .....
2466	531	" " Eccentric for 2692 and 7531 .....
2467	531	Bobbin Winder Frame for 2692 .....
2521	535	Shuttle Bobbin Case Latch Spring for 14826, obsolete .....
2523	2363	Shuttle Bobbin Case Position Finger Rivet for 14826, 14891, 14949, 15727, 23006 and 23007 .....
2532	539	Shuttle Race Back Position Pin for 7322, 14833 and 14950 .....
2533	533	Shuttle Race Back Spring for 7322, 14833 and 14950 .....
2692	531	Bobbin Winder (eccentric) complete, for tight wheel, for 37-2 and 37-4 to 37-9 Machines, Nos. 286d, 2460, 2466, 2467 and 2694 .....
2693	531	Bobbin Winder Spindle for 2694 .....
2694	—	" " " 2693 with 2461, for 2692 and 7531 .....
2763	542	Rock Shaft for 2777 and 12250 .....
Nos. 2765 TO 2767 FOR 2768		
2765	542	Rock Shaft Knee Arm .....
2766	542	" " " " Hub with 356c .....
2767	542	" " " Plate with 356c .....
2768	—	Rock Shaft Knee Arm complete for 2777 and 12250, Nos. 2765 to 2767 .....

## NUMERICAL LIST OF PARTS

NO.	PLATE	NAME
2770	542	Rock Shaft Stop Dog with 356c, for 2777 and 12250 .....
2777	542	Rock Shaft complete for 23086, Nos. 2763, 2768, 2770, 2778, 6337 and two 12242
2778	542	Rock Shaft Lifting Bracket Hook for 2777 and 12250 .....
2809	539	Machine Hinge Connection Hinge Pin for 33888 to 33891 .....
2827	539	Thread Guard with 8505, for 23070 .....
2862	2361	Balance Wheel (stand) heavy rim, 3 in. pulley, for 3022 .....
Nos. 2972 TO 2974 FOR 15003		
2972	535	Shuttle Bobbin Case Latch, obsolete .....
2973	535	" " " " Lever for 15141 .....
2974	535	Shuttle Bobbin Case Latch Lever Fulerum Pin for 15141 .....
2975	535	Shuttle Bobbin Case Latch Spring for 14891, 14949, 15727, 23006 and 23007
2996	535	Shuttle Bobbin for 14825, 14890, 14948, 15729 and 23035 .....
3022J	—	Clamp Stop Motion complete for 37-2 and 37-4 to 37-9 Machines, Nos. 248A, 256J, 2020 and 4933 .....
*3023	533	Clamp Stop Motion Flanged Bushing for 4933 .....
3217	539	Needle Separator, $\frac{3}{2}$ in. gauge, for 37-2 Machine, obsolete .....
4347	5901	Wrench for 1513 (Accessories) .....
4459	—	Presser Foot Bracket with 465F, for 14911, obsolete .....
Nos. 4460 TO 4462 FOR 14911 AND 14996		
4460	2351	Presser Foot Guide with 735c .....
4461	2351	" " Spring .....
4462	2351	" " " Screw Bushing .....
4784	2358	Oscillating Rock Shaft Oil Pad for 14031
4822	5901	Wrench for 1528, 1547 and 1549 (Accesso- ries) .....
4933	—	Clamp Stop Motion Flanged Bushing 3023 with two 462c, for 3022 .....
6055	2366	Machine Hinge Plate Bolt Nut Washer for 33890 and 33891 .....
6337	542	Rock Shaft Lifting Bracket with two 356c, for 2777 and 12250 .....
6535	2366	Roller Arm for 14896 .....

## NUMERICAL LIST OF PARTS

NO.	PLATE	NAME
7071	539	Corder Screw Washer for 37-4 Machine
7071	539	Feed Lever Raising Cam Screw Washer for 37-2 and 37-4 to 37-9 Machines....
7071	539	Sweat Band Gauge Screw Washer for 37-3 and 37-10 Machines.....
7071	539	Thread Pull-off Hook Screw Washer for 37-4, 37-6 and 37-7 Machines.....
7252	530	Arm Shaft (horizontal) for 37-2 and 37-4 to 37-9 Machines.....
7253	533	Arm Shaft (horizontal) Gear, 24 teeth, with 449c, obsolete.....
7256	533	Arm Shaft (upright) Gear, 24 teeth, with 449c, obsolete.....
*7257	—	Arm Side Plate for 37-2, 37-5, 37-8 and 37-9 Machines and 23052.....
*7258	—	Bed for 37-2, 37-5, 37-8 and 37-9 Machines
7259	531	" Leg.....
7263	533	Machine Hinge Connection (right) for 33889 and 33891.....
7267	532	Feed Bar for 37-2 and 37-4 to 37-9 Machines.....
7268	539	Feed Bar Spring for 37-2 and 37-4 to 37-9 Machines.....
7274	530	Feed Lever for 37-2 and 37-4 to 37-9 Machines.....
7275	532	Feed Lever Cam with two 435c, for 37-2, 37-5, 37-8 and 37-9 Machines.....
7276	534	Feed Lever Cap for 37-2 and 37-4 to 37-9 Machines.....
7277	537	Feed Lever Raising Cam for 37-2 and 37-4 to 37-9 Machines.....
7278	534	Feed Regulator Socket Joint for 7280 and 14937.....
7279	532	Feed Rock Shaft for 37-2 and 37-4 to 37-9 Machines.....
7280	530	Feed Regulator with 7278, for 37-2, 37-5, 37-8 and 37-9 Machines.....
7281	534	Feed Regulator Cap for 37-2 and 37-4 to 37-9 Machines.....
7299	532	Presser Bar for 37-2 and 37-4 to 37-9 Machines.....
7317	532	Oscillating Shaft for 7596, 23040 and 23089
7318	534	" " Crank with 735c and 1813, for 7596, 23040 and 23089.....
7319	530	Shuttle Pitman with 44361, 49308 and four 187b, for 37-2 and 37-4 to 37-9 Machines.....

## NUMERICAL LIST OF PARTS

NO.	PLATE	NAME
7322	533	Shuttle Race complete for 37-2, 37-5 and 37-8 to 37-10 Machines, Nos. 648J, 2533, 7323, 7326, 14049 and two each 662b and 2532.....
7323	—	Shuttle Race Body for 7322.....
7324	—	" " Bracket, obsolete.....
7326	533	" " Cap for 7322 and 23083.....
7327	533	Oscillating Rock Shaft for 23040 and 23089
7330	2363	Shuttle Tension Spring for 14826, 14891 and 23006.....
7332	539	Thread Guiding Roller Thread Guard for 37-2, 37-3, 37-5 and 37-8 to 37-10 Machines.....
*7334	532	Thread Take-up Lever with 1822, for 33850.....
7335	539	Thread Take-up Spring for 33900.....
7336	537	" " " Regulator for 23058 and 33900.....
7348	532	Needle Bar with 2273, for 15998.....
7353	539	" Clamp Gib for 14808 and 23031
7354	—	Tension Bracket complete for 37-2, 37-5, 37-8 and 37-9 Machines, Nos. 330b, 2413, 7355, two each 2103, 33929 and four 2102.....
7355	2358	Tension Bracket for 7354.....
7370	530	Balance Wheel, 2 $\frac{3}{4}$ in. pulley, with two 448c, for 37-2 and 37-4 to 37-9 Machines
7465	536	Feed Dog (double) for 37-2 Machine....
7471	530	Arm Shaft (upright) for 37-3 and 37-10 Machines.....
7480	—	Tension Releaser Spring Hook for 23057
7526	532	Presser Bar for 37-3 and 37-10 Machines
7531	531	Bobbin Winder (eccentric) complete, for tight wheel for 37-3 and 37-10 Machines, and for loose wheel for 37-2 and 37-4 to 37-9 Machines, Nos. 286b, 2460, 2466, 2694 and 7532.....
7532	—	Bobbin Winder Frame for 7531.....
7535	542	Lifting Lever for 23086 and 23087.....
7539	542	Rock Shaft Hanger with two wood screws 1 in. No. 10, for 12250.....
7542	2437	Drip Pan (power table) with five 1 in. wire nails.....
7545	2437	Drip Pan (stand) with five 1 in. wire nails
7553	535	Shuttle Bobbin Case Position Finger for 14949, 15727 and 23007.....

## NUMERICAL LIST OF PARTS

NO.	PLATE	NAME
7555	2365	Roller Arm Bracket for 23018.....
7556	2366	“ “ Lock Spring for 14896 and 23018.....
7562	532	Thread Take-up Cam 33903 with 448c..
7579	535	Shuttle Bobbin Case Latch for 14826, obsolete.....
7593	530	Shuttle Race Bracket for 7596.....
7595	532	“ Pitman Crank Wheel with 435c and 743c, for 37-2, 37-5, 37-8 and 37-9 Machines.....
7596	—	Shuttle Race Bracket complete for 37-2 and 37-4 to 37-9 Machines, Nos. 7317, 7318, 7593, 14031, 14856, 15730 and three 2049.....
7597	2358	Presser Bar Lifting Bracket with 453c, for 37-4, 37-6 and 37-7 Machines.....
7597	2358	Presser Bar Spring Bracket with 453c, for 37-2, 37-5, 37-8 and 37-9 Machines
7598	2362	Tension Releaser for 37-2, 37-5, 37-8 and 37-9 Machines.....
7599	534	Arm Shaft (upright) Collar with 462c....
7706	530	Balance Wheel with two 448c, for 37-3 and 37-10 Machines.....
7710	530	Feed Shaft for 37-3 and 37-10 Machines
7717	533	Presser Bar Spring Bracket with 453c, for 37-3 and 37-10 Machines.....
7718	2365	Thread Eyelet (front of arm) for 37-10 Machine.....
7721	2362	Vibrating Feed Bar for 37-3 Machine....
7725	537	Feed (upper) Bar Guide Bracket with 453c, for 37-10 Machine.....
7725	537	Vibrating Feed Bar Guide Bracket with 453c, for 37-3 Machine.....
7729	534	Feed (upper) Bar Lifting Lever Stud Roller Pin for 14841.....
7729	534	Vibrating Feed Bar Lifting Lever Stud Roller Pin for 14841.....
7730	539	Feed (upper) Bar Lifting Lever Hinge Pin for 37-10 Machine.....
7730	539	Vibrating Feed Bar Lifting Lever Hinge Pin for 37-3 Machine.....
7958	539	Pitman Pin for 25288.....
8399	531	Presser Bar Spring.....
8505	2358	Thread Guard Rivet for 2827.....
8800	539	Feed Regulator Roller and Screw Stud Washer for 37-3 and 37-10 Machines..

## NUMERICAL LIST OF PARTS

NO.	PLATE	NAME
8908	5901	Wrench for 1519 and 1520 (Accessories)..
8909	5901	“ “ 1513 (Accessories).....
9256	2362	Arm Spool Bracket Spool Pin for 23026..
10148	2365	Tension Spring (back) for 23041.....
10309	2358	“ Releaser Spring for 14956 and 23058.....
11139	2365	Thread Take-up Spring for 23058.....
11241	2362	Arm Spool Bracket Spool Pin Washer (cloth) for 37-2, 37-3, 37-5 and 37-8 to 37-10 Machines and 14930.....
11742	539	Pitman Washer for 25288.....
12242	542	Rock Shaft Hanger with two wood screws 1 in. No. 10, for 2777.....
12250	—	Rock Shaft complete for 23087, Nos. 2763, 2768, 2778, 6337 and two each 2770 and 7539.....
12403	539	Arm Spool Bracket Spool Pin and Thread Eyelet for 15063.....
14026	2358	Shuttle Race Bracket Adjusting Slide Steady Pin for 37-4, 37-6, 37-7 and 37-10 Machines.....
14031	532	Oscillating Rock Shaft with 4784, for 7596
14049	533	Shuttle Race Back for 7322 and 14950...
14051	532	“ “ Bracket Adjusting Slide....
14098	2359	Machine Hinge Connection (left) for 33888 and 33890.....
14105	2358	Shuttle Race Bracket Adjusting Slide Steady Pin for 37-2, 37-3, 37-5, 37-8 and 37-9 Machines.....
*14801	—	Arm for 37-2, 37-5, 37-8 and 37-9 Machines
14802	530	Face Plate for 23070.....
*14803	532	Needle Bar Connecting Link for 23090...
14804	2353	“ Clamp Body for 14807, 14808 and 23031.....
14805	539	Needle Clamp Gib for 14807 and 14999..
14806	—	No. cancelled.
14807	—	Needle Clamp complete for 37-5 and 37-8 Machines and 15998, Nos. 196F, 662b, 14804 and 14805.....
14808	539	Needle Clamp complete for 37-3 Machine, Nos. 196F, 662b, 7353 and 14804.....
14809	539	Needle Separator, 1/8 in. gauge, for 37-2 Machine, obsolete.....
14810	536	Presser Foot for 37-2 Machine.....
14811	537	“ “ “ cording, for 37-2 Machine
14812	539	Thread Eyelet for 23070.....



NO.	PLATE	NAME
14813	536	Throat Plate for 7465.....
14814	537	" " " 7465, for cording.....
*14815	—	Arm for 37-3 and 37-10 Machines.....
14816	530	" Shaft (horizontal) for 37-3 and 37-10 Machines.....
*14817	—	Bed for 37-3 Machine.....
14818	530	Face Plate for 37-3 and 37-10 Machines..
14819	532	Feed Cam with two 453c, for 37-3 Machine, obsolete.....
14820	533	Feed Regulator for 37-3 and 37-10 Ma- chines.....
14821	533	Feed Shaft Crank with 453c and 1819, for 37-3 and 37-10 Machines.....
14822	535	Needle Separator for 37-3 Machine.....
14823	534	Oscillating Rock Shaft Collar with two 735c, for 23089.....
14824	532	Oscillating Rock Shaft Fork for 23089
14825	—	Shuttle, 1 $\frac{1}{4}$ diam., for 37-3 Machine, Nos. 2996, 14826 and 14829, obsolete, use 14890.....
14826	—	Shuttle Bobbin Case complete for 14825, Nos. 591F, 592E, 2521, 2523, 7330, 7579 and 14828, obsolete, use 14891.....
14827	—	No. cancelled.
14828	—	Shuttle Bobbin Case Position Finger for 14826, 14891 and 23006.....
14829	2363	Shuttle Body for 14825, 14890 and 23035
*14830	535	" Driver for 14892, 23040 and 23089
14831	530	" Pitman with 44361, 49308 and four 196D, for 37-3 Machine.....
14832	2361	Shuttle Pitman Crank Wheel with 435c and 743c, for 37-3 and 37-10 Machines
14833	533	Shuttle Race complete for 37-3 Machine, Nos. 648J, 2419, 2533, 23083 and two 2532.....
14834	—	Shuttle Race Body for 23083.....
14835	531	Tension Bracket for 14836 and 23041....
14836	—	Tension Bracket complete for 37-3 Ma- chine, Nos. 330D, 2413, 14835, two each 637c, 1560c, 2103 and four 210J
14837	537	Throat Plate for 37-3 Machine.....
14838	533	Feed (upper) Bar Lifting Cam with two 453c, for 37-10 Machine.....
14838	533	Vibrating Feed Bar Lifting Cam with two 453c, for 37-3 Machine.....
14839	531	Feed (upper) Bar Lifting Lever with 180D and 453c, for 37-10 Machine....

NO.	PLATE	NAME
14839	531	Vibrating Feed Bar Lifting Lever with 180J and 453c, for 37-3 Machine.....
14840	534	Feed (upper) Bar Lifting Lever Stud for 14841.....
14840	534	Vibrating Feed Bar Lifting Lever Stud for 14841.....
14841	—	Feed (upper) Bar Lifting Lever Stud complete for 37-10 Machine, Nos. 7729, 14840 and 14843.....
14841	—	Vibrating Feed Bar Lifting Lever Stud complete for 37-3 Machine, Nos. 7729, 14840 and 14843.....
14842	537	Vibrating Feeding Foot (hinged) for 37-3 Machine.....
14843	534	Feed (upper) Bar Lifting Lever Stud Roller for 14841.....
14843	534	Vibrating Feed Bar Lifting Lever Stud Roller for 14841.....
14844	—	No. cancelled.
14845	—	Sweat Band Guide for 14848 and 35544 ..
14846	—	" " " Shank for 14848.....
14847	—	" " " Spring for 14848 and 35544.....
14848	538	Sweat Band Guide complete for 14855, Nos. 14845 to 14847.....
14849	—	Sweat Band Edge Guide, for binding, for 14851.....
14850	—	Sweat Band Edge Guide Shank for 14851
14851	538	Sweat Band Edge Guide complete for 14855 and 35545, Nos. 14849 and 14850
14852	—	Sweat Band Folder for 14854.....
14853	—	" " " Shank for 14854.....
14854	538	Sweat Band Folder complete for 14855 and 35545, Nos. 14852 and 14853....
14855	538	Sweat Band Gauge complete for 37-3 Machine, Nos. 14848, 14851, 14854 and three 236D.....
14856	534	Oscillating Rock Shaft Crank with 735c, for 7596 and 23040.....
14857 to 14861	—	Nos. cancelled.
14862	530	Arm Shaft (upright) for 37-4, 37-6 and 37-7 Machines.....
14863	—	} Nos. cancelled.
14864	—	
14865	532	Needle Bar, for general work, for 37-4, 37-6 and 37-7 Machines, obsolete.....

NO.	PLATE	NAME
14866	—	Nos. cancelled.
14867	—	
14868	539	
14869	—	Nos. cancelled.
14870	—	
14871	532	Shuttle Pitman Crank Wheel and Thread Pull-off Lever Cam with 435c and 743c, for 37-4, 37-6 and 37-7 Machines.....
14872 to 14881	—	Nos. cancelled.
14882	536	Throat Plate Ridge Guide for 14983 to 14986.....
14882	536	Throat Plate Ridge Guide (centre) for 23046.....
14882	536	Throat Plate Ridge Guide (right) for 23049
14883 to 14886	—	Nos. cancelled.
14887	—	No. cancelled, order 2389.....
14888	—	Nos. cancelled.
14889	—	
14890	535	Shuttle, 1½ in. diam., for 37-3 Machine, Nos. 2996, 14829 and 23006.....
14891	—	Shuttle Bobbin Case complete for 14890, Nos. 591F, 592E, 2523, 2975, 7330, 14828 and 15003, obsolete, use 23006.....
14892	—	Shuttle Driver 14830 with two 462c, for 37-3 and 37-10 Machines.....
14893	—	Nos. cancelled.
14894	—	
14895	547	Feed Dog with ridge, for imitation cording, for 37-5 Machine.....
14896	2351	Roller Presser complete, 1½ in. roller, for 37-5 Machine, Nos. 171F, 176D, 207D, 440F, 1549J, 1875, 6535, 7556, 14897, 14898, 23025, two 316F and three 1547J
14897	2351	Roller Needle Guard (flat) for 14896.....
14898	2351	" " " (round) for 14896...
14899	547	Throat Plate for 14895.....
14900	—	No. cancelled.
14901	550	Needle Bar for 37-7 Machine.....
14902	—	No. cancelled.
14903	2353	Needle Clamp Body for 14908.....
14904	2353	" " Gib (stationary) for 14908
14905	2353	" " " (movable) for 14908..
14906	2353	" " Thread Guard for 37-7 Machine, 14999 and 23045.....
14907	2353	Needle Separator for 14908, obsolete....

NO.	PLATE	NAME
14908	—	Needle Clamp complete for 14901, Nos. 196F and 14903 to 14905.....
14909	2351	Roller Presser complete, 1¼ in. coarse roller, for 37-7 Machine, Nos. 176D, 440F, 1549J, 1897, 2204 to 2206, two 316F and three 1547J.....
14910	2351	Presser Foot for 14911 and 14996.....
14911	—	Presser Foot (spring presser) complete for 37-7 Machine, Nos. 1607D, 4459 to 4462 and 14910, obsolete, use 14996.....
14912 to 14920	—	No. cancelled.
14921	550	Needle Bar for 15722.....
14922	—	No. cancelled.
14923	549	Feed Dog, for cording, for 37-2 Machine..
14924	549	Throat Plate for 14923.....
*14925	—	Arm for 37-4, 37-6 and 37-7 Machines, obsolete.....
14926	550	Arm Spool Bracket for 14930.....
14927	550	" " " Spool Pin for 14930
14928	—	" " " " " Washer (cloth) for 37-4, 37-6 and 37-7 Machines, obsolete, use 11241.....
14929	2353	Arm Spool Bracket Thread Eyelet for 14930.....
14930	—	Arm Spool Bracket complete for 37-4, 37-6 and 37-7 Machines, Nos. 14926 and four each 190D, 11241, 14927 and 14929.....
*14931	—	Bed for 37-4, 37-6 and 37-7 Machines....
14932	—	Face Plate for 14933, obsolete.....
14933	—	Face Plate complete for 37-4, 37-6 and 37-7 Machines, Nos. 233D, 14932, 14958 and 14959, obsolete.....
14934	548	Feed Dog (single) for vamping and general work, for 37-7 Machine.....
14935	544	Feed Dog (double) for glove, shoe and general work, for 37-6 Machine.....
14936	—	Feed Lever Cam with two 435c, for 37-4, 37-6 and 37-7 Machines.....
14937	—	Feed Regulator with 7278, for 37-4, 37-6 and 37-7 Machines.....
14938	2350	Oil Cup with 14940, obsolete.....
14939	2350	" " Holder for 37-4, 37-6 and 37-7 Machines.....
14940	2350	Oil Cup Packing for 14938, obsolete.....
14941	544	Presser Foot for 37-4 Machine and 14935 for 37-6 Machine.....

NO.	PLATE	NAME
14942	546	Presser Foot with single centre groove, for 14935 and 14984.....
14943	545	Presser Foot with single centre groove, for 14935 and 14983.....
14944	545	Presser Foot with two grooves, $\frac{1}{8}$ in. gauge, for 14935.....
14945	546	Presser Foot with two grooves, $\frac{1}{4}$ in. gauge, for 14935.....
14946	544	Presser Foot with three grooves, $\frac{3}{4}$ in. gauge, for cording, for 37-4 and 37-6 Machines.....
14947	544	Presser Foot with three grooves, $\frac{1}{8}$ in. gauge, for cording, for 37-4 and 37-6 Machines.....
14948	2353	Shuttle, $1\frac{1}{8}$ in. diam., for 37-4, 37-6 and 37-7 Machines, Nos. 2996, 15728 and 23007.....
14949	—	Shuttle Bobbin Case complete for 14948, Nos. 591F, 592E, 2523, 2975, 7553, 14953 and 15003, obsolete, use 23007.....
14950	2352	Shuttle Race complete for 37-4, 37-6 and 37-7 Machines, Nos. 648i, 2533, 14049, 23075 and two 2532.....
14951	—	Shuttle Race Body for 23075.....
14952	2352	" " Cap for 23075.....
14953	2353	" Tension Spring for 14949 and 23007.....
14954	550	Tension Bracket with 7480, for 14956, obsolete.....
14955	2353	Tension Bracket Thread Eyelet (double) for 14956, obsolete.....
14956	550	Tension Bracket complete for 37-4, 37-6 and 37-7 Machines, Nos. 10309, 14954, 14957, two each 82b, 331b, 14955, four each 637c, 1560c, 2103 and eight 2102, obsolete.....
14957	550	Tension Releaser with 236F and 29304, for 14956, obsolete.....
14958	2350	Thread Guard for 14933 and 23054.....
14959	2350	" Guide for 14933 and 23054.....
14960	2350	" Guiding Roller for 37-4, 37-6 and 37-7 Machines, obsolete.....
14961	2350	Thread Guiding Roller Stud for 37-4, 37-6 and 37-7 Machines, obsolete.....
14962	550	Thread Pull-off Lever for 37-4, 37-6 and 37-7 Machines.....

NO.	PLATE	NAME
14963	2350	Thread Pull-off Lever Socket Joint for 14964.....
14964	2365	Thread Pull-off Lever Socket Joint Bracket with 14963, for 37-4, 37-6 and 37-7 Machines.....
14965	2365	Thread Pull-off Lever Supporting Bracket for 37-4, 37-6 and 37-7 Machines.....
14966	2350	Thread Pull-off Hook for 37-4, 37-6 and 37-7 Machines, obsolete.....
14967	2350	Thread Separator with 14968, for 37-4, 37-6 and 37-7 Machines.....
14968	2350	Thread Separator Thread Guard for 14967
*14969	550	" Take-up Lever with 1822, for 23069.....
Nos. 14970 TO 14979 FOR 37-4, 37-6 AND 37-7 MACHINES, OBSOLETE		
14970	2350	Thread Take-up Spring, inside (music wire).....
14971	2350	Thread Take-up Spring, outside (music wire).....
14972	2350	Thread Take-up Spring Adjusting Lever for 14970.....
14973	2350	Thread Take-up Spring Adjusting Lever for 14971.....
14974	2350	Thread Take-up Spring Adjusting Lever Hinge Pin.....
14975	2353	Thread Take-up Spring Hook for re-threading.....
14976	2350	Thread Take-up Spring Regulator.....
14977	2350	" " " Shield.....
14978	2350	" " " Stud.....
14979	2350	" " " " Bracket.....
14980	544	Throat Plate, small needle hole, for 14935
14981	544	" " large needle hole, for 14935
14982	548	" " " " " for 14934
14983	545	" " small needle hole, with 590b and 14882, for 14935, for fine glove work
14984	546	Throat Plate, large needle hole, with 590b and 14882, for 14935, for medium and heavy glove work and medium and light shoe work.....
14985	545	Throat Plate, large needle hole, with two each 590b and 14882, $\frac{1}{8}$ in. apart, for 14935, for medium and heavy glove work and fine and medium shoe work

## NUMERICAL LIST OF PARTS

NO.	PLATE	NAME
14986	546	Throat Plate, large needle hole, with two each 590D and 14882, $\frac{1}{4}$ in. apart, for 14935, for medium and heavy glove work and fine and medium shoe work
14987 to 14992		Nos. cancelled.
14993	2351	Presser Foot Bracket with 197D, 14994 and 14995, for 14996
14994	—	Presser Foot Bracket Cap (hinged) for 14993
14995	2351	Presser Foot Bracket Cap Hinge Pin for 14993
14996	2351	Presser Foot (spring presser) complete for 37-7 Machine, Nos. 1607D, 4460 to 4462, 14910 and 14993
14997	539	Needle Clamp Body with 196F and two 620F, for 14999, obsolete
14998	2353	Needle Clamp Gib for 620, for 14999, obsolete
14999	—	Needle Clamp complete for 37-4 and 37-6 Machines, Nos. 218D, 14805, 14868, 14906, 14997 and 14998, obsolete
15000	—	No. cancelled.
15003	—	Shuttle Bobbin Case Hinge for 14891 and 14949, Nos. 2972 to 2974, obsolete
15063	531	Arm Spool Bracket 2415 with two 12403, for 37-2, 37-3, 37-5, 37-8 and 37-9 Machines
15098	2363	Shuttle Tension Spring for 15727
15140	2363	" Bobbin Case Latch for 15141
15141	—	" " " Hinge for 15727, 23006 and 23007, Nos. 2973, 2974 and 15140
15517	2360	Arm Shaft (upright) for 37-2, 37-5, 37-8 and 37-9 Machines
*15565	—	Arm Side Plate for 37-3 and 37-10 Machines
15577	2358	Needle Clamp Thread Eyelet for 15722
15588	2358	" Stop Pin for 23020
15722	550	Needle Bar complete, for $\frac{3}{4}$ in. gauge and above, for 37-2 and 37-9 Machines, Nos. 337D, 2273, 14921, 15577 and 15723
15723	2353	Needle Clamp with two 857H, for 15722
15727	2363	Shuttle Bobbin Case complete for 15729, Nos. 591F, 592E, 2523, 2975, 7553, 15098 and 15141

## NUMERICAL LIST OF PARTS

NO.	PLATE	NAME
15728	2363	Shuttle Body for 14948 and 15729
15729	—	Shuttle, $1\frac{1}{8}$ in. diam., Nos. 2996, 15727 and 15728, for 37-2, 37-5, 37-8 and 37-9 Machines
*15730	—	Shuttle Driver for 7596 and 15731
15731	2363	" " 15730 with two 462C, for 37-2 and 37-4 to 37-9 Machines
15773	2362	Lifting Lever Spring for 23086 and 23087
15998	—	Needle Bar complete, for $\frac{1}{8}$ in. gauge, for 37-2 and 37-9 Machines, Nos. 7348 and 14807
19066	2362	Spool Holder Spindle for 26764
19067	2362	" " " Thread Guiding Disc for 26764
22003	2362	Wrench for 1550 (Accessories)
*22147	—	Shuttle Pitman Bell Crank Connection Cap for 23038
23001	547	Feed Dog (spiked teeth) for cording and imitation cording on cloaks, skirts, etc., for 37-2 Machine
23002	549	Presser Foot for 23003 and 23004
23003	547	Throat Plate, for cording, for 7465 and 23001
23004	549	Throat Plate, for imitation cording, for 7465 and 23001
23005	550	Needle Bar with 2273, for 37-5 and 37-8 Machines
23006	2363	Shuttle Bobbin Case complete for 14890, Nos. 591F, 592E, 2523, 2975, 7330, 14828 and 15141
23007	2353	Shuttle Bobbin Case complete for 14948 and 23035, Nos. 591F, 592E, 2523, 2975, 7553, 14953 and 15141
23008	2354	Feed Dog for 37-8 and 37-9 Machines
23009	2354	Presser Foot for 23008, for 37-8 Machine
23010	2354	Throat Plate for 23008, for 37-8 Machine
23011	2355	Presser Foot for 23008, for cording, for 37-9 Machine
23012	2355	Presser Foot for 23008, for imitation cording, for 37-9 Machine
23013	2354	Throat Plate for 23008, for cording, for 37-9 Machine
23014	2355	Throat Plate for 23008, for imitation cording, for 37-9 Machine
23015	2367	Feed Dog, for circular imitation cording, for 37-8 Machine
23016	2365	Roller Arm for 23018

NO.	PLATE	NAME
23017	2365	Roller Needle Guard for 23018.
23018	2365	Roller Presser complete, $\frac{3}{8}$ in. fine roller, for circular imitation cording, for back of gloves, for 37-8 Machine, Nos. 171F, 176D, 440F, 1549J, 1908, 7555, 7556, 23016, 23017, two 316F and three 1547J
23019	2367	Throat Plate for 23015, for circular imitation cording.
23020	2360	Needle Bar with 15588, for circular imitation cording, for 37-8 Machine.
23021	2367	Throat Plate for 23015, for general work
23022	—	Needle Clamp Gib, for $\frac{3}{8}$ in., $\frac{1}{2}$ in. and $\frac{5}{8}$ in. gauges, for 37-4 Machine, obsolete
23023	—	Needle Separator, $\frac{1}{8}$ in. gauge, for 37-4 Machine, obsolete.
23024	2360	Feed Cam with two 453c, for 37-3 and 37-10 Machines.
23025	2366	Roller Arm Bracket for 14896.
23026	2362	Arm Spool Bracket 2415 with two 9256, for 37-10 Machine.
*23027	—	Bed for 37-10 Machine.
23028	2362	Feed (upper) Bar for 37-10 Machine.
23029	2355	Feeding Foot for 37-10 Machine.
23030	2360	Needle Bar with 2273, for 37-10 Machine
23031	—	Needle Clamp complete for 37-10 Machine, Nos. 196F, 662D, 7353, 14804 and 23033.
23032	2355	Needle Plate for 37-10 Machine.
23033	2365	" Separator for 23031.
23034	2365	Oscillating Rock Shaft Crank (forked) for 23040.
23035	—	Shuttle, $1\frac{1}{8}$ in. diam., for 37-10 Machine, Nos. 2996, 14829 and 23007.
23036	2360	Shuttle Pitman for 37-10 Machine.
23037	2360	" " Bell Crank for 37-10 Machine.
23038	2362	Shuttle Pitman Bell Crank Connection with two 22147 and four 196D, for 37-10 Machine.
23039	2361	Shuttle Race Bracket for 23040.
23040	—	Shuttle Race Bracket complete for 37-10 Machine, Nos. 7317, 7318, 7327, 14830, 14856, 23034, 23039 and four 2049.
23041	—	Tension Bracket complete for 37-10 Machine, Nos. 330D, 2103, 2413, 10148, 14835, two each 637c, 1560c and four 2102.

NO.	PLATE	NAME
23042	2360	Needle Bar with 23221, for 37-4 and 37-6 Machines.
23043	2358	Needle Clamp Body for 23045.
23044	2358	" " Gib for 23045.
23045	—	Needle Clamp complete for 23042, Nos. 175F, 218D, 14868, 14906, 23043 and 23044.
23046	536	Throat Plate with 14882, 23047, 23048 and three 590D, for 14935, for $\frac{1}{8}$ in. gauge, for four needles, for imitation cording on glove backs.
23047	536	Throat Plate Ridge Guide for 23050.
23047	536	" " " " (left) for 23046 and 23049.
23048	536	Throat Plate Ridge Guide (right) for 23046.
23049	—	Throat Plate with 14882, 23047 and two 590D, for 14935, for $\frac{1}{8}$ in. gauge, for three needles, for imitation cording on glove backs.
23050	—	Throat Plate with 590D and 23047, for 14935, for $\frac{1}{8}$ in. gauge, for two needles, for imitation cording on glove backs.
23051	2365	Thread Pull-off Hook for 37-4, 37-6 and 37-7 Machines.
*23052	—	Arm with 122D, 283D and 7257, for 37-4, 37-6 and 37-7 Machines.
23053	2360	Face Plate for 23051.
23054	—	Face Plate complete for 37-4, 37-6 and 37-7 Machines, Nos. 233D, 14958, 14959 and 23053.
23055	2358	Oil Cup with 23056, for 37-4, 37-6 and 37-7 Machines.
23056	2358	Oil Cup Packing (felt) for 23055.
23057	2360	Tension Bracket with 7480 and four 453F, for 23058.
23058	—	Tension Bracket complete for 37-4, 37-6 and 37-7 Machines, Nos. 10309, 23057, 23059, two each 190D, 724D, 23063, four each 413c, 1560c, 2103, 7336, 11139 and eight 2102.
23059	2360	Tension Releaser with 231F and 23060, for 23058.
23060	2358	Tension Releaser Adjusting Piece for 23059.
23061	2365	Thread Guiding Roller Stud for 37-4, 37-6 and 37-7 Machines.

NO.	PLATE	NAME
23062	2365	Thread Guiding Roller Thread Guard for 37-4, 37-6 and 37-7 Machines.....
23063	2358	Tension Thread Eyelet (double) for 23058
23064	2364	Feed Dog, for general work, for 37-4 Machine.....
23065	—	Throat Plate, large needle hole, for 23064
23066	2364	“ “ small needle hole, for 23064
23067	2364	“ “ for 23064, for cording.....
23069	—	Thread Take-up Lever 14969 with 79c, for 37-4, 37-6 and 37-7 Machines.....
*23070	—	Face Plate 14802 with 2827 and 14812, for 37-2, 37-5, 37-8 and 37-9 Machines....
23075	—	Shuttle Race Body 14951 with 14952 and two 662d, for 14950.....
23083	—	Shuttle Race Body 14834 with 7326 and two 662d, for 14833.....
23084	518	Throat Plate with cord tube for 14923
23086	—	Knee Lifter complete (power table) for 37-2 and 37-4 to 37-9 Machines, Nos. 802d, 2777, 7535 and 15773.....
23087	—	Knee Lifter complete (stand) for 37-2 and 37-4 to 37-9 Machines, Nos. 802d, 7535, 12250 and 15773.....
23088	2361	Shuttle Race Bracket for 23089.....
23089	—	Shuttle Race Bracket complete for 37-3 Machine, Nos. 7317, 7318, 7327, 14823, 14824, 14830, 23088 and three 2049....
23090	—	Needle Bar Connecting Link 14803 with 2052.....
23221	2358	Needle Stop Pin for 23042.....
25010	7802	Band Wheel Crank for 25124.....
25015	—	Belt, size $1\frac{3}{8}$ in., length 61 $\frac{1}{2}$ in., with 25027 for 25288.....
25027	2366	Belt Hook for 25015.....
25074	7802	Pitman (adjustable) complete with two each 558e, 1570e, 25075 and 25123, for 25288.....
25075	539	Pitman Adjusting Screw Washer for 25074
25082	7802	Treadle for 25288.....
25086	7802	Wrench for 1507.....
25123	—	Pitman Adjusting Block for 25074.....
25124	7803	Band Wheel, 12 $\frac{1}{2}$ in. diam., with 2117 and 25010, for 25288.....
25288	—	Stand (iron work) rocking treadle, complete, Nos. 7958, 11742, 25074, 25082, 25086, 25124, 46533, two 46522 and four 748e.....
25866	2362	Guide for 37-2 and 37-5 to 37-9 Machines

NO.	PLATE	NAME
26026	5901	Screw Driver, machine (Accessories).....
26297	2356	Corder (bow) three holes, for top cording, for 37-4 Machine.....
26485	5901	Screw Driver, shuttle tension (Accessories)
26763	2362	Spool Holder Bracket with 219d and 287d, for 26764.....
26764	2362	Spool Holder (disc) complete for 37-10 Machine, Nos. 691d, 19066, 19067 and 26763.....
27055	2361	Machine Button with wood screw $1\frac{3}{4}$ in. No. 14 R. H. B. (Accessories).....
29304	—	Tension Releaser Adjusting Piece for 14957, obsolete.....
33850	—	Thread Take-up Lever 7334 with 79c, for 37-2, 37-3, 37-5 and 37-8 to 37-10 Machines.....
33875	2358	Arm Shaft (horizontal) Gear, 24 teeth, with 458c.....
33876	2358	Arm Shaft (upright) Gear, 24 teeth, with 449c.....
33887	2359	Machine Hinge Plate for 33888 to 33891 Nos. 33888 to 33891 for 37-2 to 37-9 Machines
33888	—	Machine Hinge (left) complete (power table) Nos. 2809, 14098, 33887 and wood screw $1\frac{1}{4}$ in. No. 14.....
33889	—	Machine Hinge (right) complete (power table) Nos. 2809, 7263, 33887 and wood screw $1\frac{1}{4}$ in. No. 14.....
33890	—	Machine Hinge (left) complete (stand and bench stand) Nos. 687e, 2809, 6055, 14098 and 33887.....
33891	—	Machine Hinge (right) complete (stand and bench stand) Nos. 687e, 2809, 6055, 7263 and 33887.....
*33900	—	Thread Guiding Roller complete for 37-2, 37-3, 37-5 and 37-8 to 37-10 Machines, Nos. 86d, 698e, 2410, 7335 and 7336....
*33903	—	Thread Take-up Cam (steel) for 7562.....
33929	—	Tension Screw Stud 637c with 1560c, for 7354.....
35543	—	Sweat Band Guide Shank for 35544.....
35544	2357	Sweat Band Guide complete for 35545, Nos. 14845, 14847 and 35543.....
35545	2357	Sweat Band Gauge complete for 37-10 Machine, Nos. 14851, 14854, 35544 and three 236d.....

NO.	PLATE	NAME
37749	2359	Machine Hinge Connection for 37750...
37750	—	Machine Hinge complete for 37-10 Machine, Nos. 37749, 44139 and wood screw 1/4 in. No. 14.....
41400	2362	Machine Rest Pin, wood (Accessories).....
44139	2359	" Hinge Plate for 37750.....
*44361	—	Shuttle Pitman Cap (left) for 7319 and 14831.....
46522	7802	Leg for 25288.....
46528	7803	Brace Section (left) with 46629, for 46662.....
46533	7802	" 46667 with three 46629, for 25288.....
46629	—	Band Wheel Crank Screw Centre 297c with 1507j, for 46533 and 46663.....
46629	—	Treadle Screw Centre 297c with 1507j, for 46528, 46533 and 46663.....
46662	7803	Brace (sectional) complete for 25288, Nos. 46528, 46663 and three 880e.....
46663	7803	Brace Section (right) with two 46629, for 46662.....
46667	—	Brace for 46533.....
*49308	—	Shuttle Pitman Cap (right) for 7319 and 14831.....
120341	2362	Tweezers, curved (Accessories).....
120342	5901	Oiler (copper plated) with 120343 (Accessories).....
120343	5901	Oiler Spout, 3 1/2 in. long, for 120342 (Accessories).....

PLATE 530—ONE-FOURTH SIZE

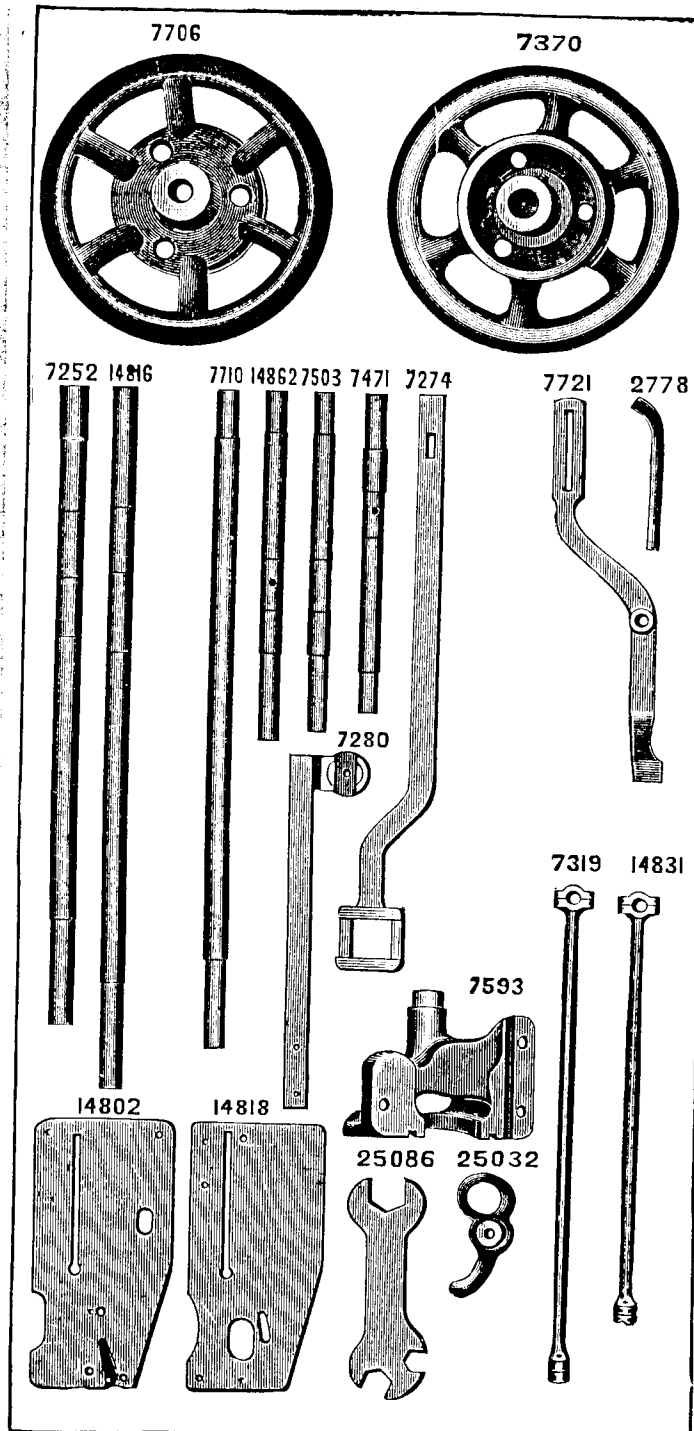


PLATE 531—ONE-HALF SIZE

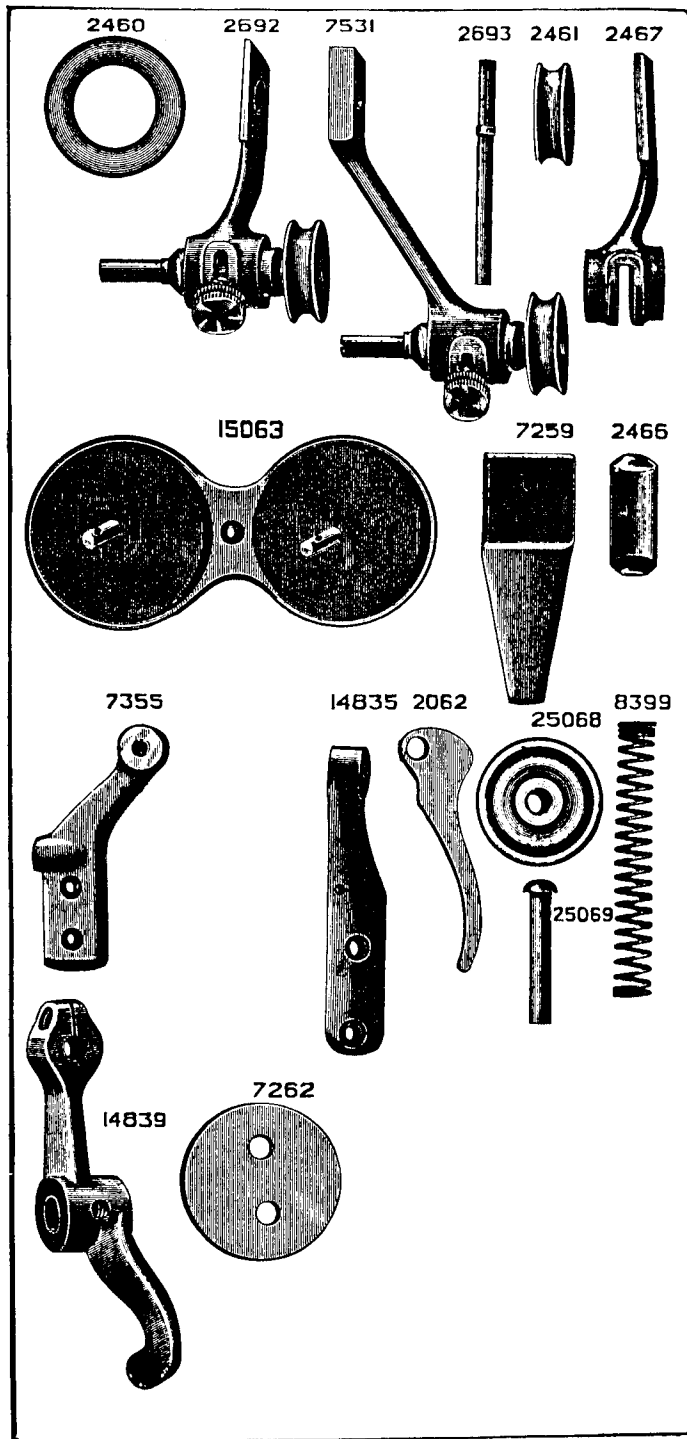


PLATE 532—ONE-HALF SIZE

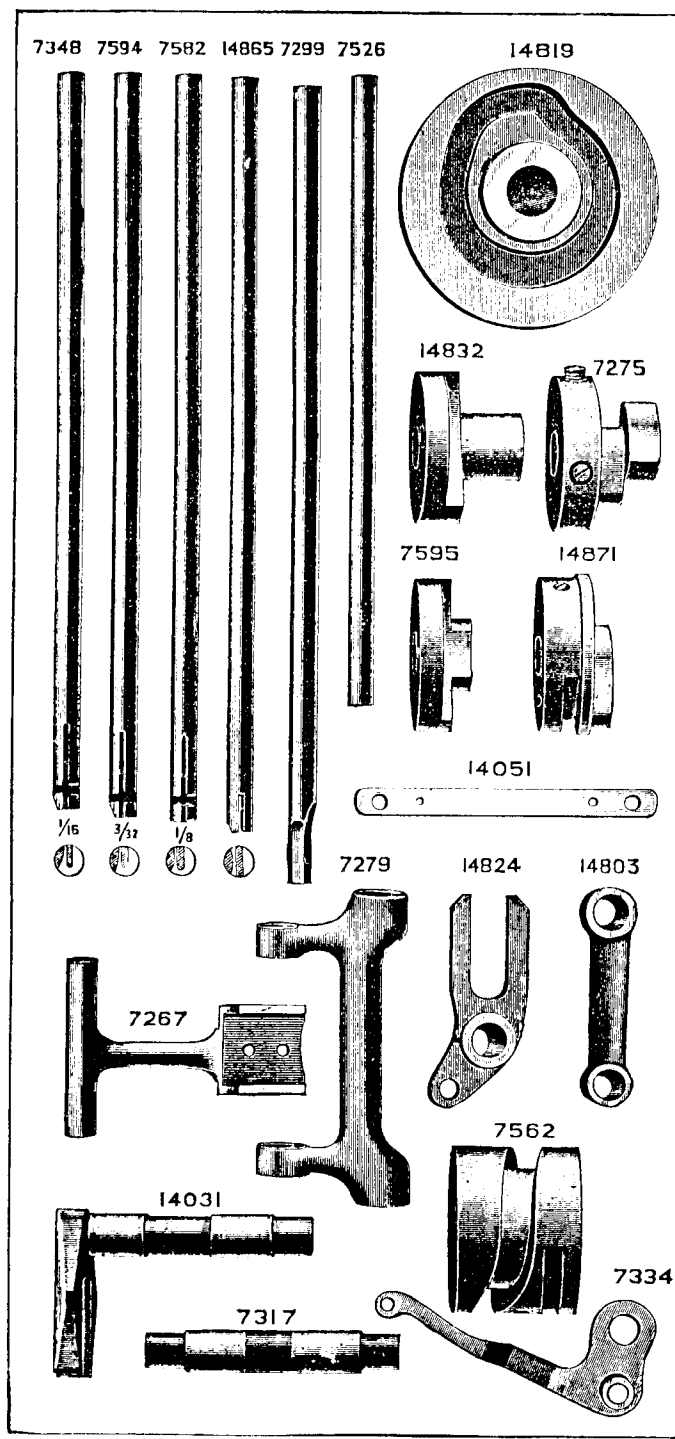




PLATE 533—ONE-HALF SIZE

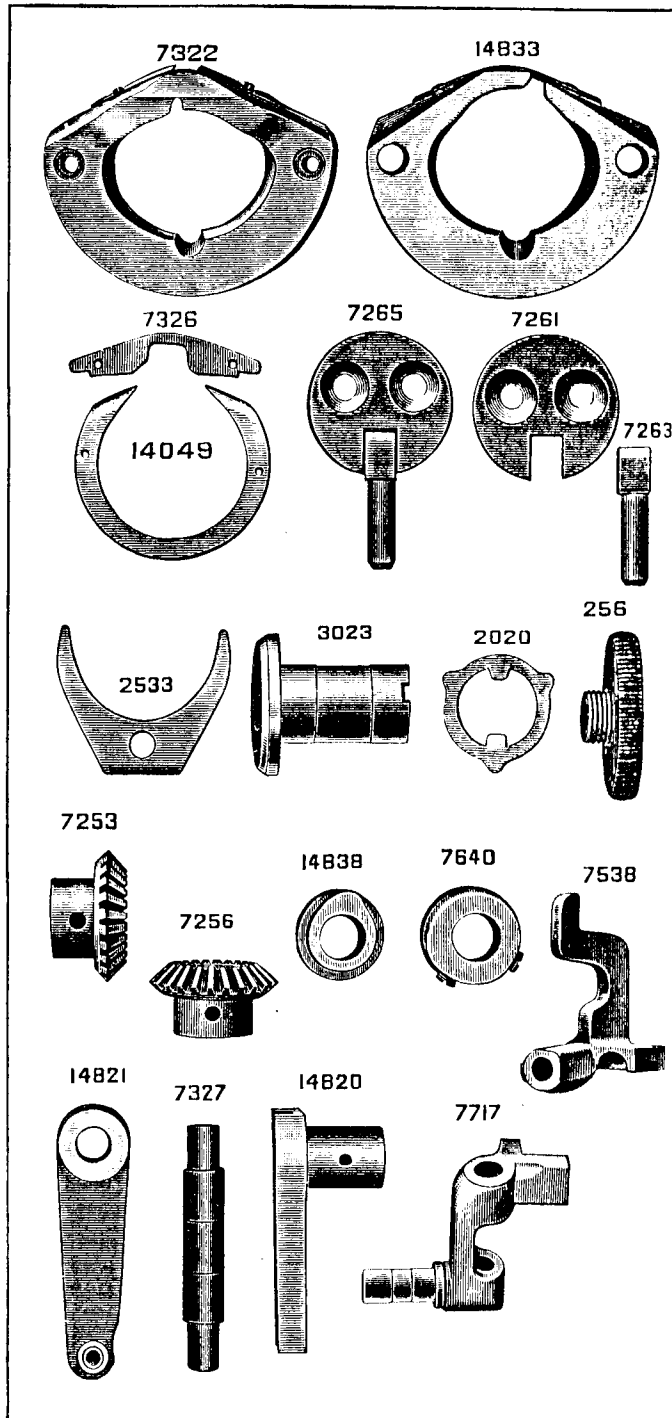


PLATE 534—FULL SIZE

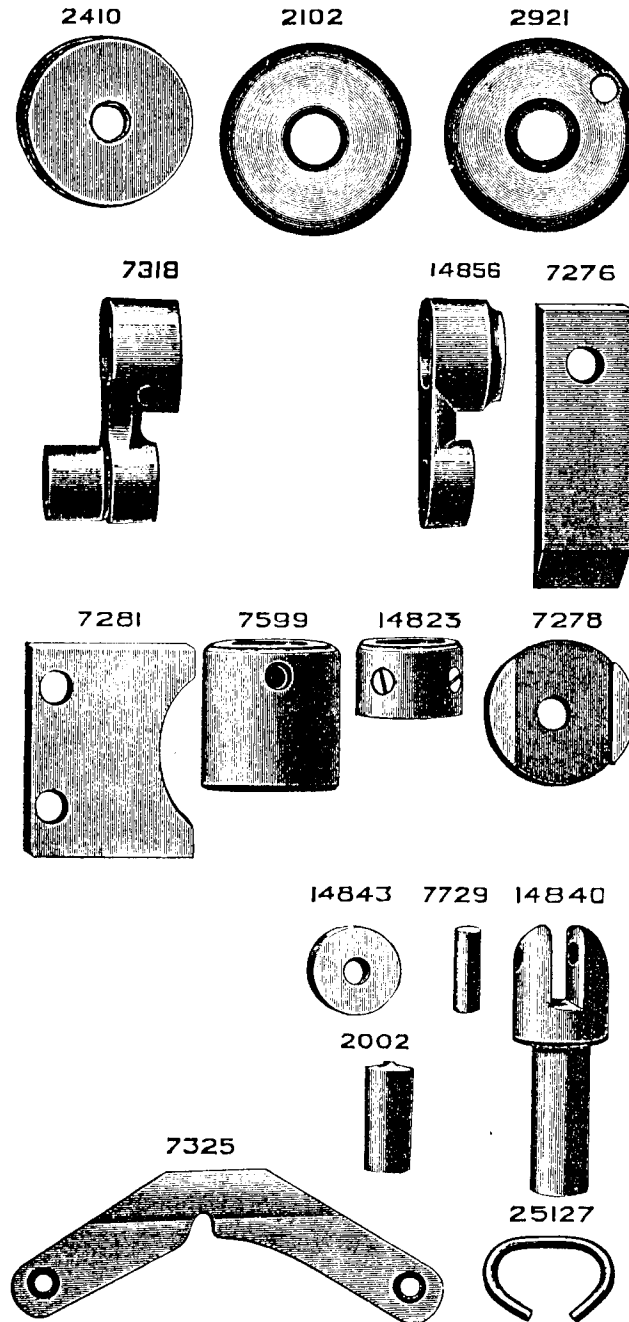


PLATE 535—FULL SIZE

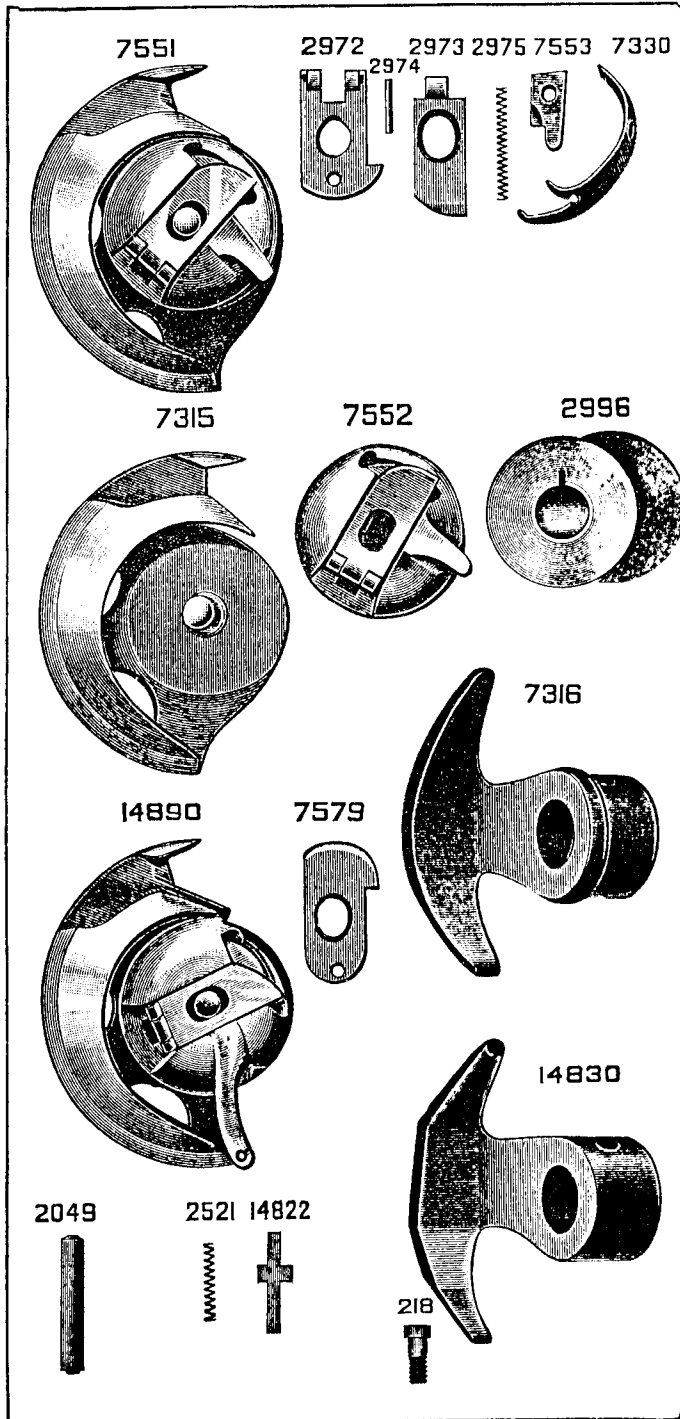


PLATE 536—FULL SIZE

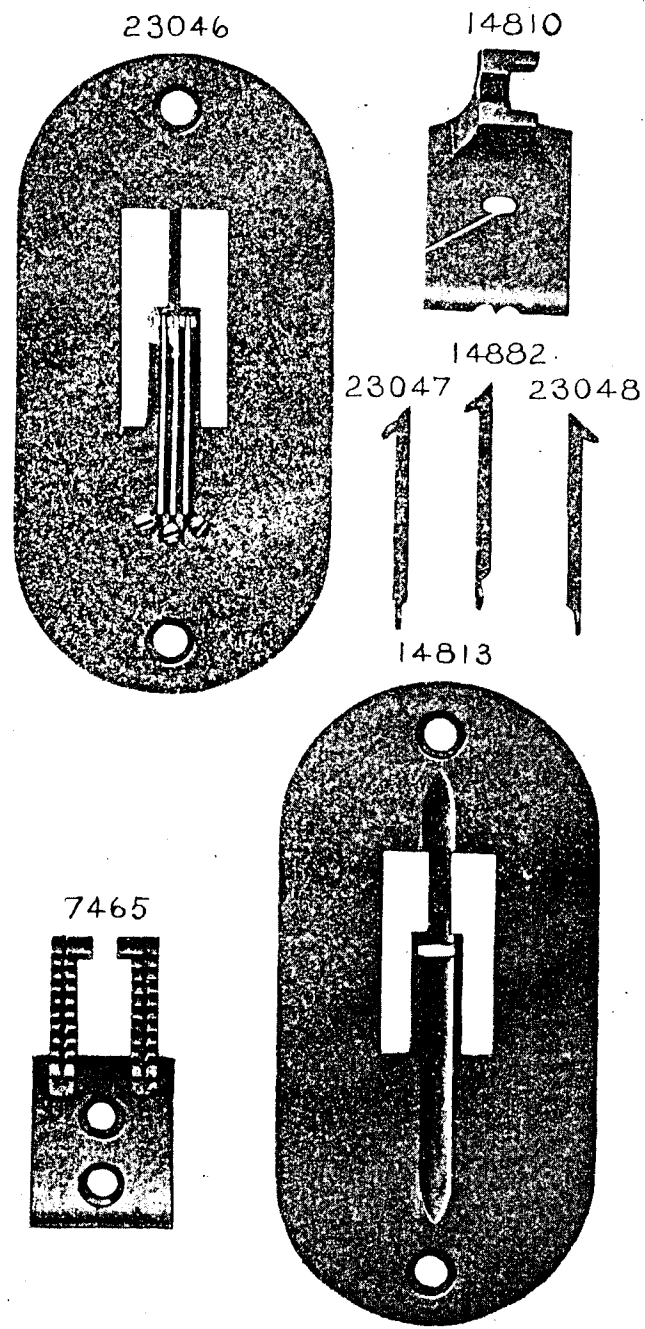


PLATE 537—FULL SIZE

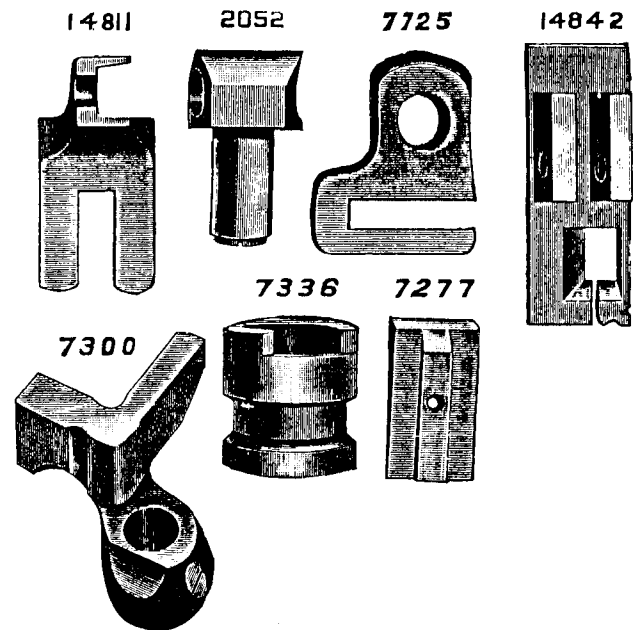
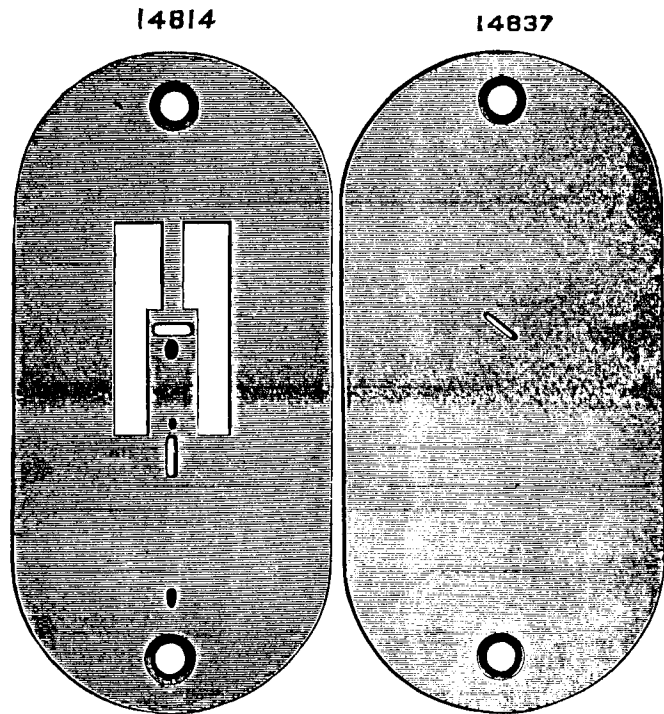


PLATE 538—FULL SIZE

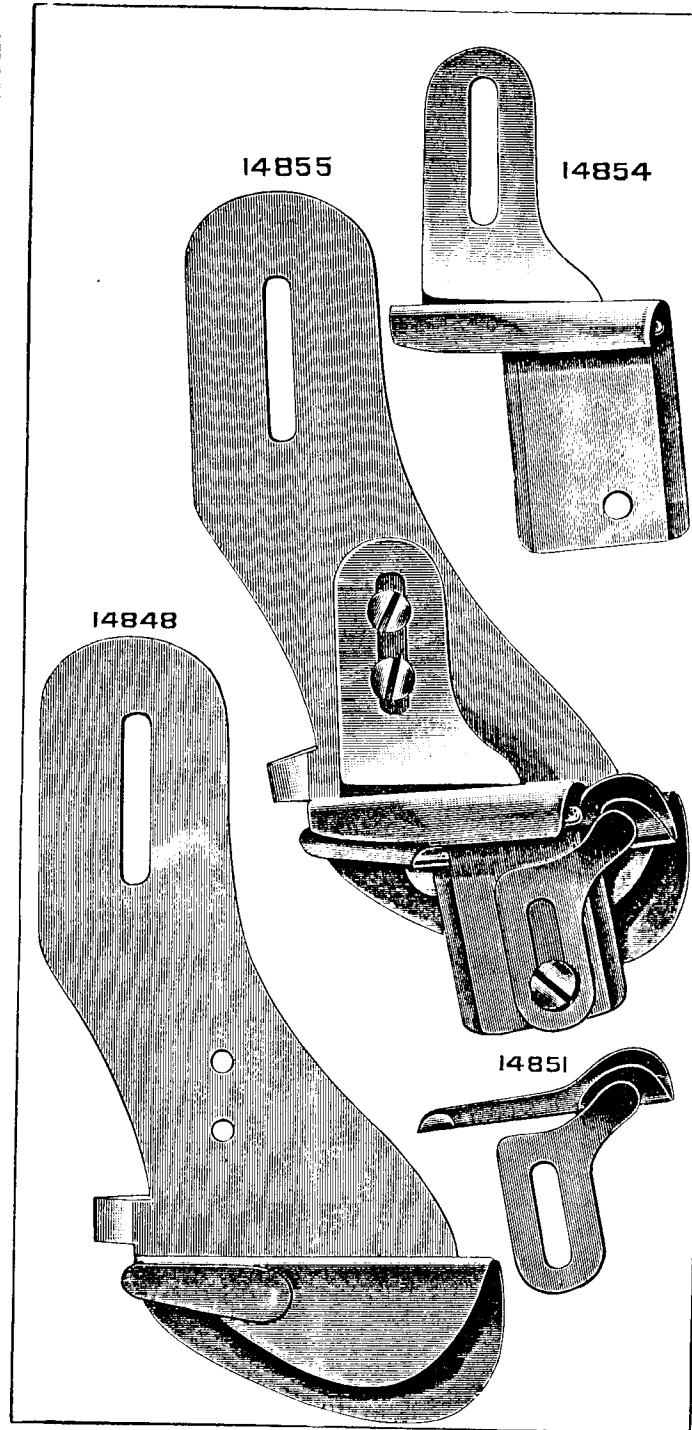


PLATE 539—FULL SIZE

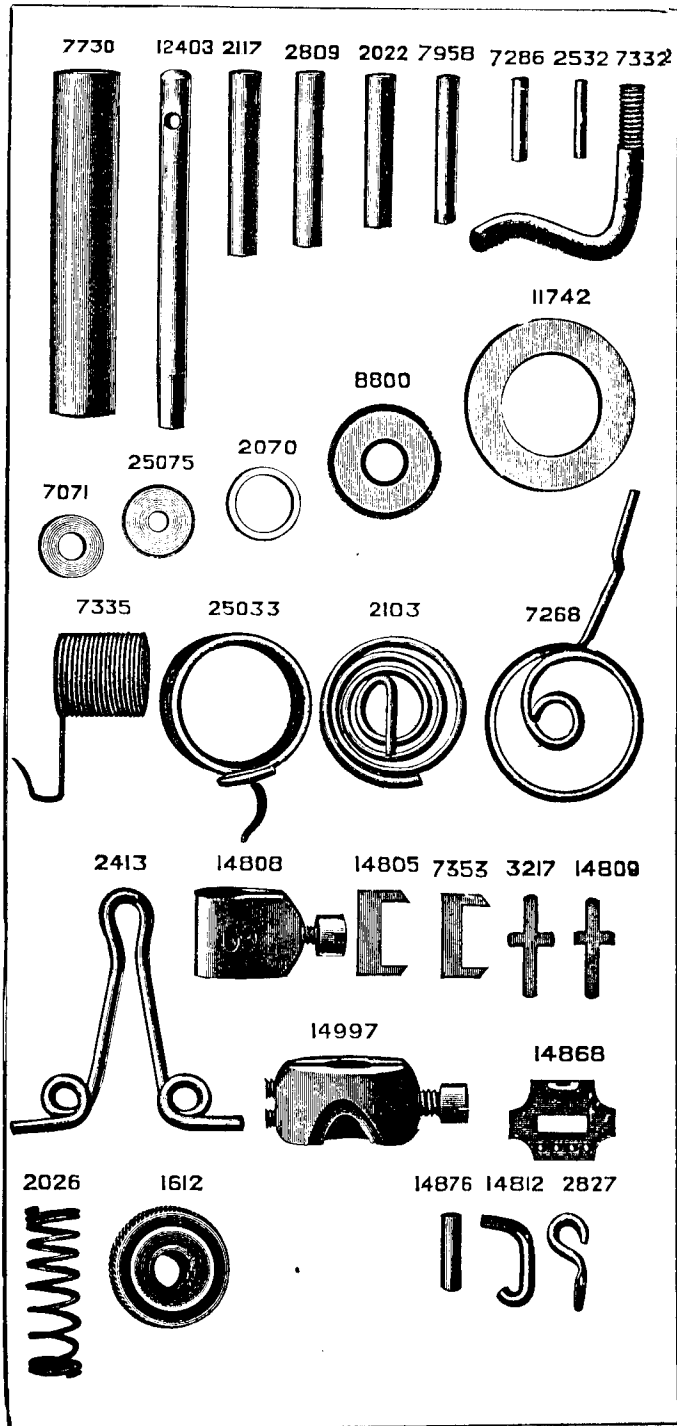


PLATE 540—FULL SIZE

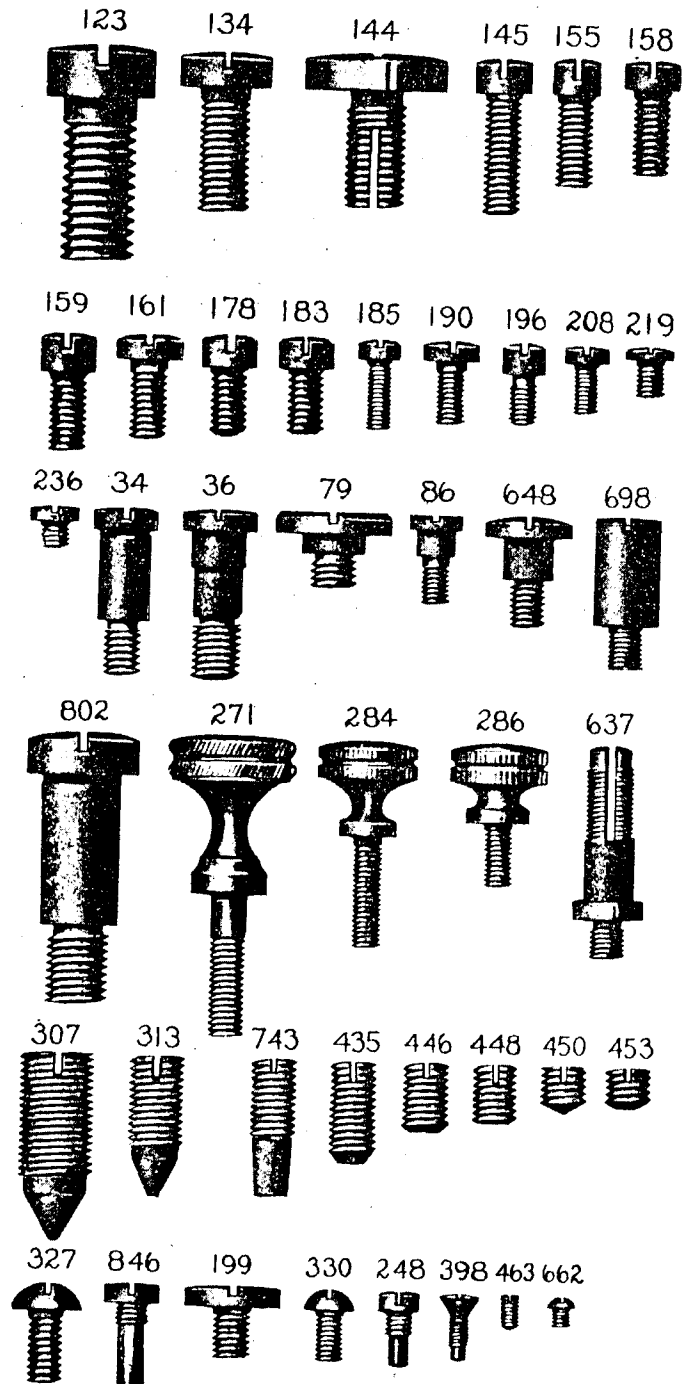


PLATE 541—FULL SIZE

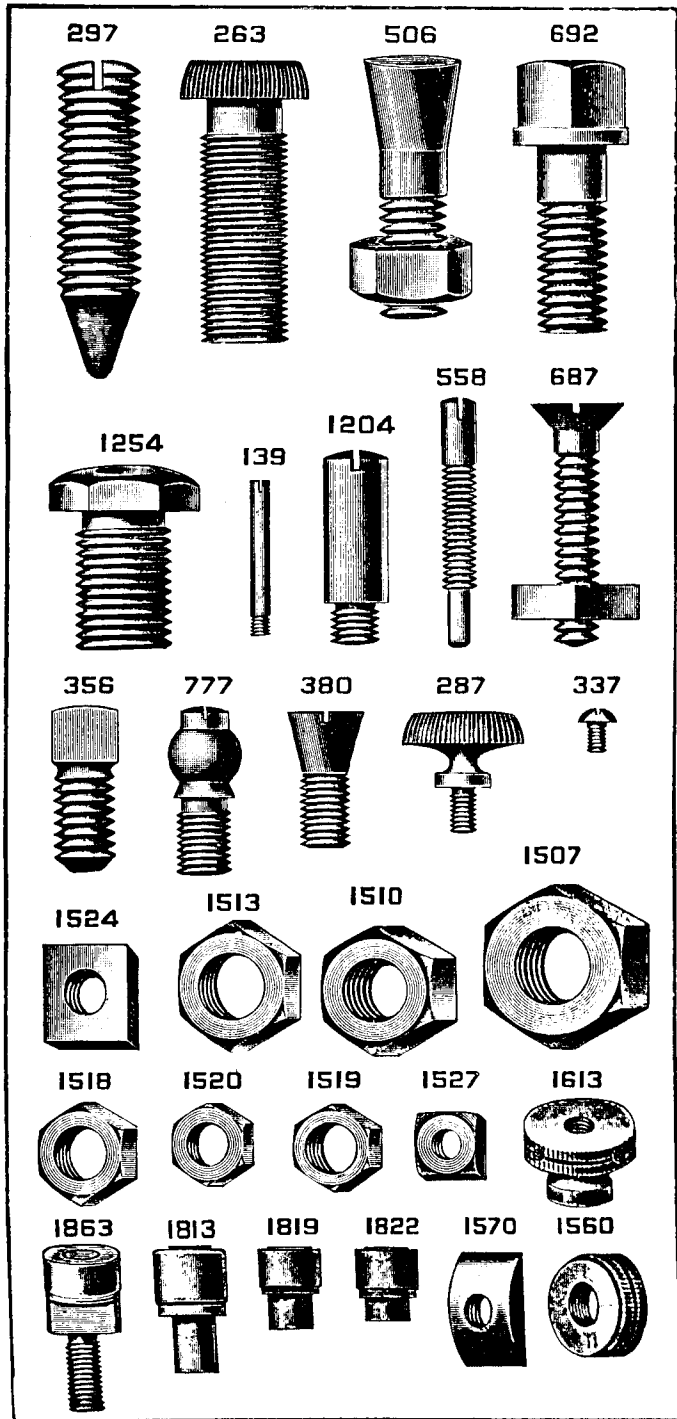


PLATE 542—ONE-FOURTH SIZE

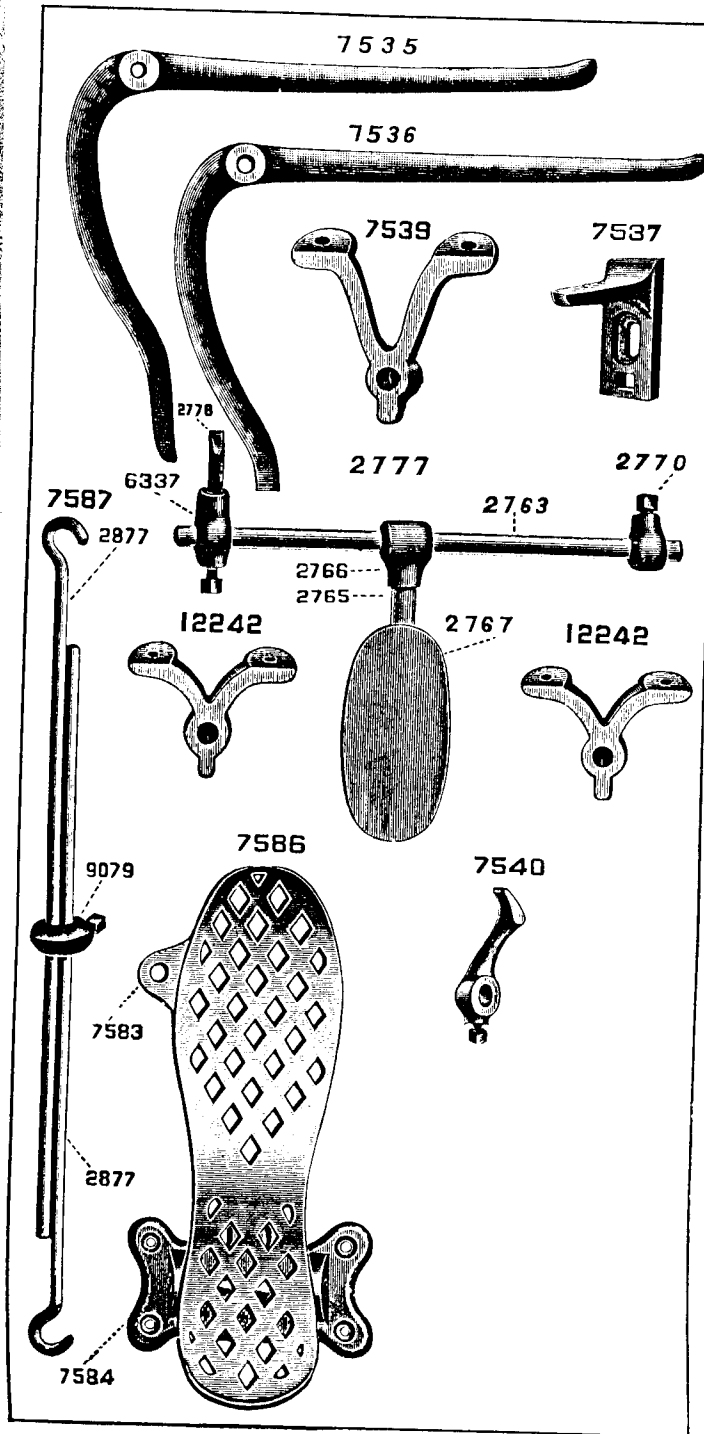


PLATE 544—FULL SIZE

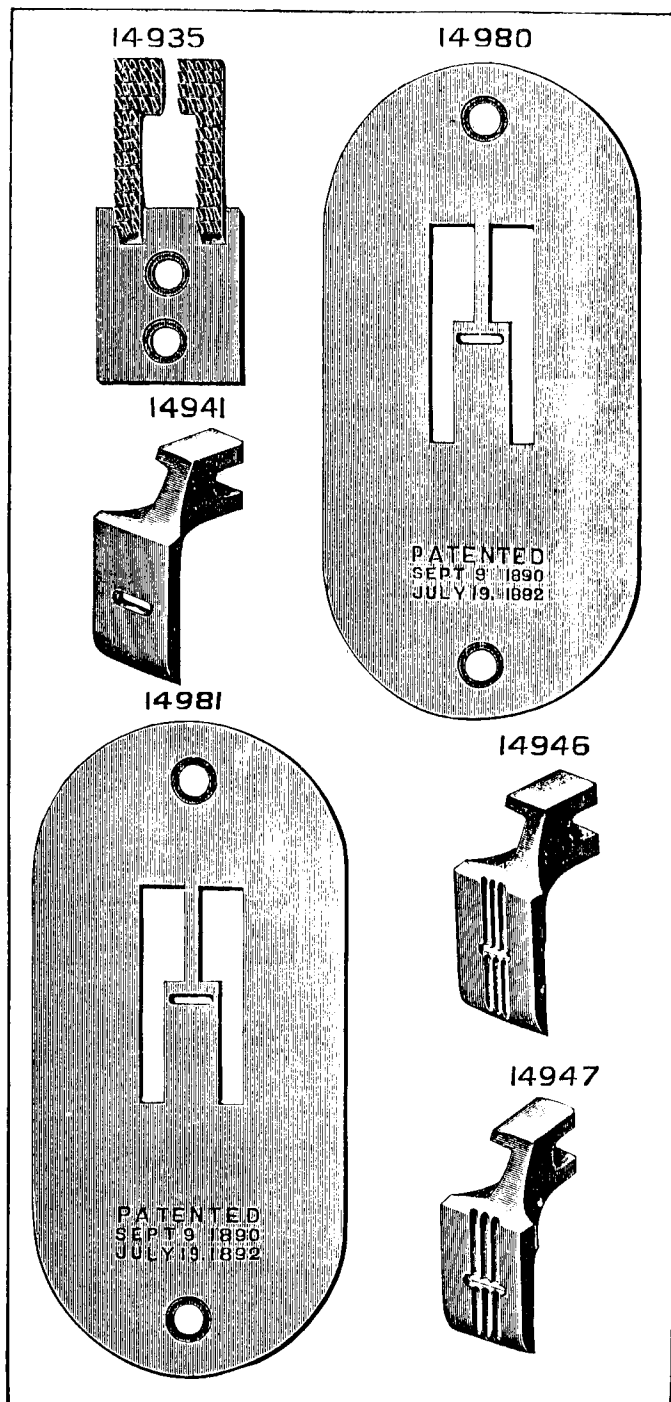


PLATE 545—FULL SIZE

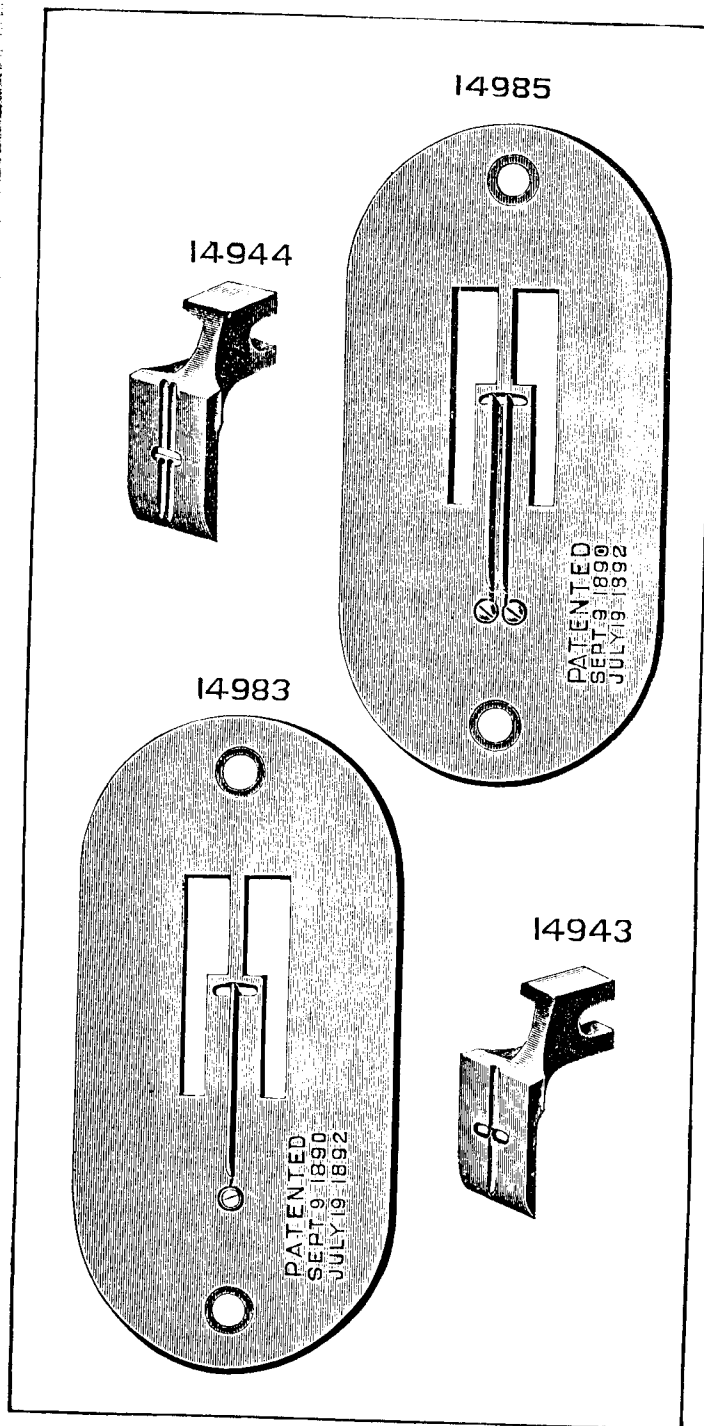


PLATE 546—FULL SIZE

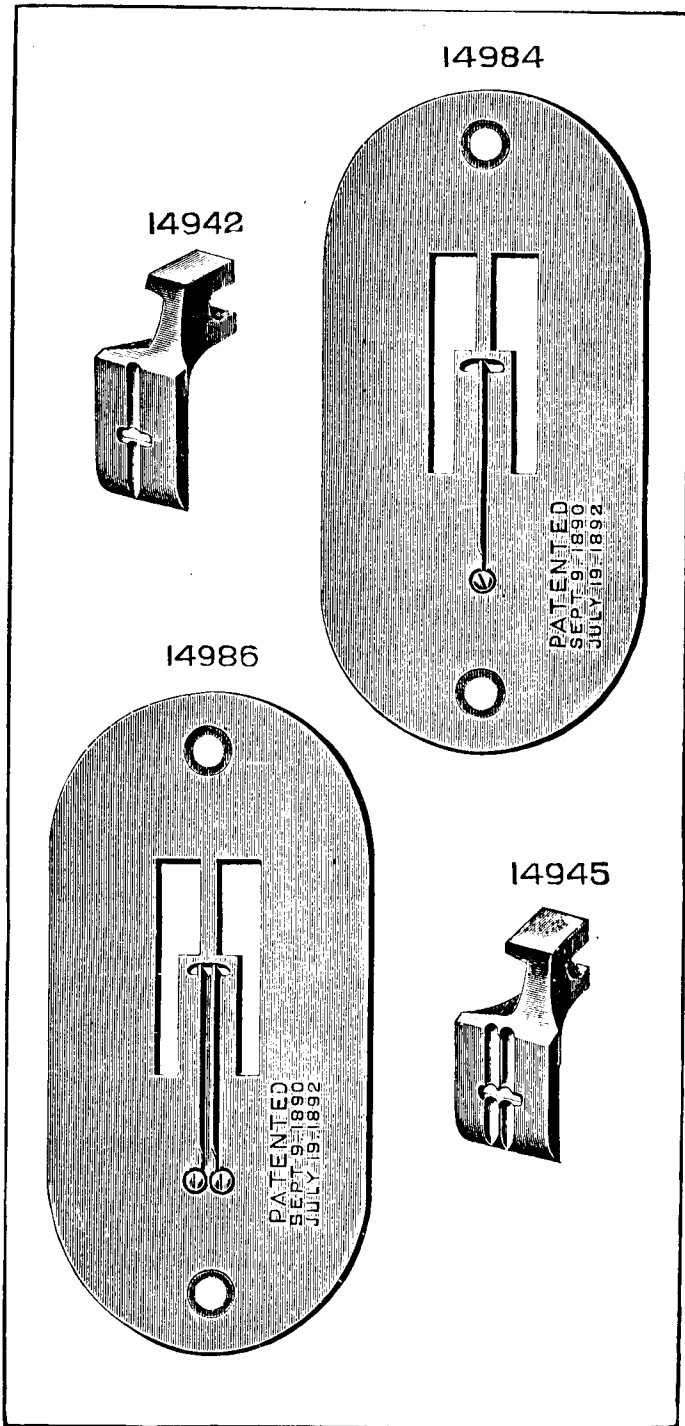


PLATE 547—FULL SIZE

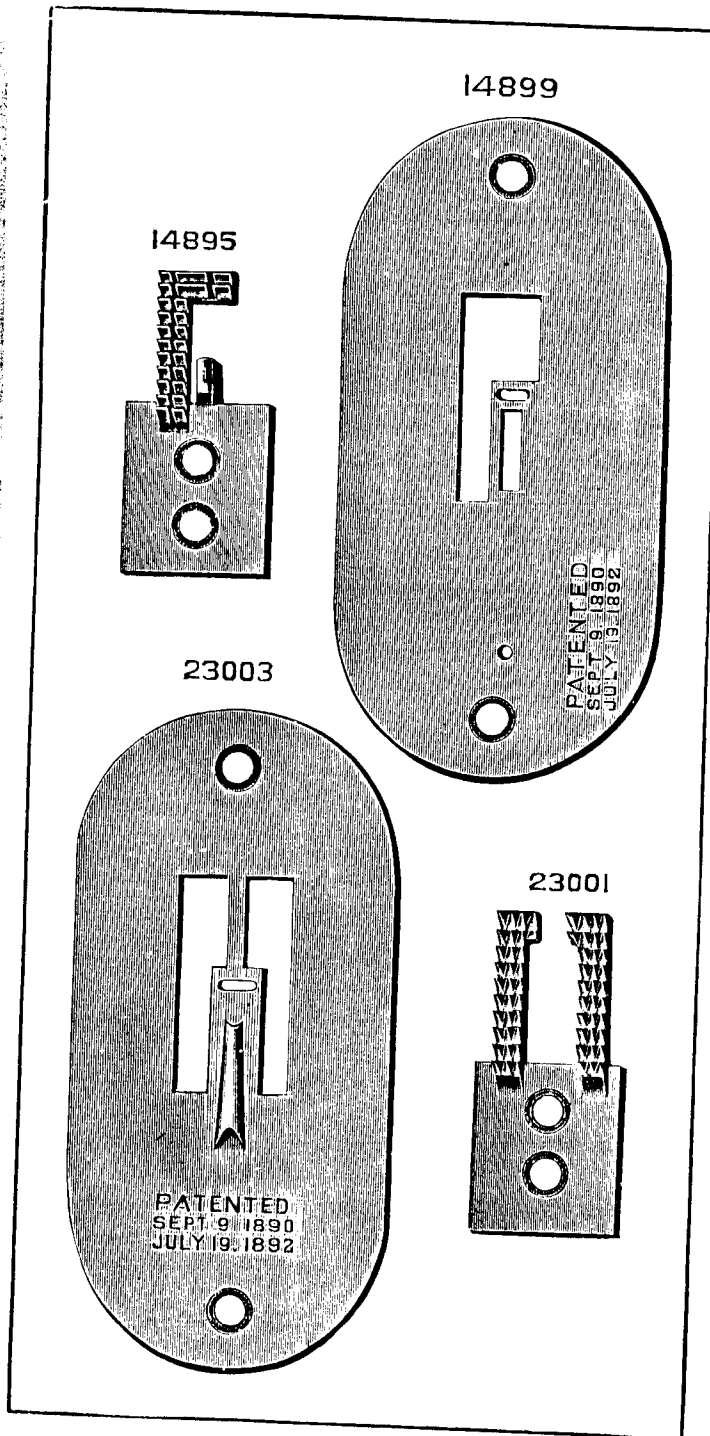
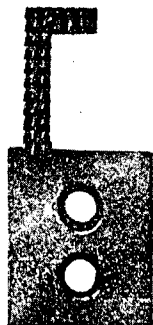
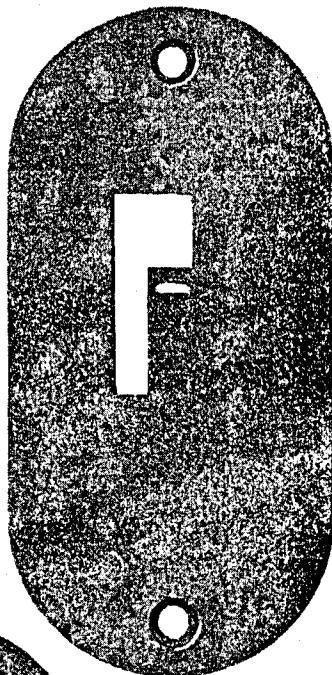


PLATE 548—FULL SIZE

14934



14982



23084

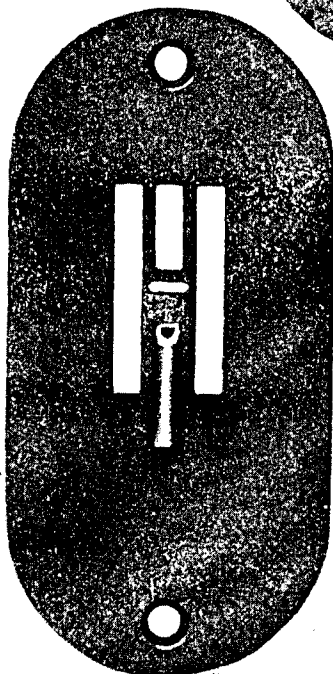
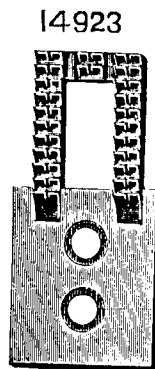
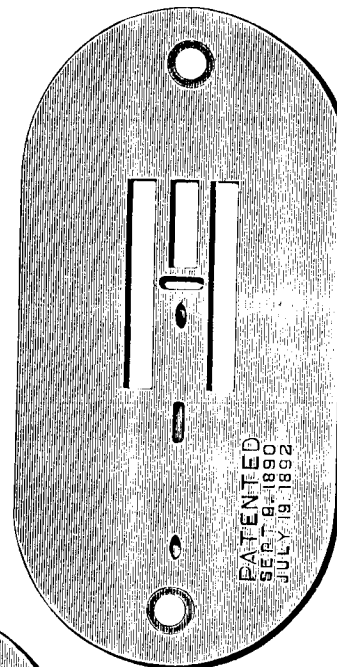


PLATE 549—FULL SIZE

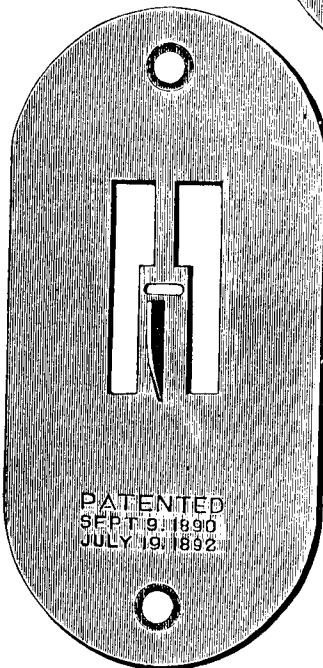
14924



14923



23004



23002





PLATE 550—ONE-HALF SIZE

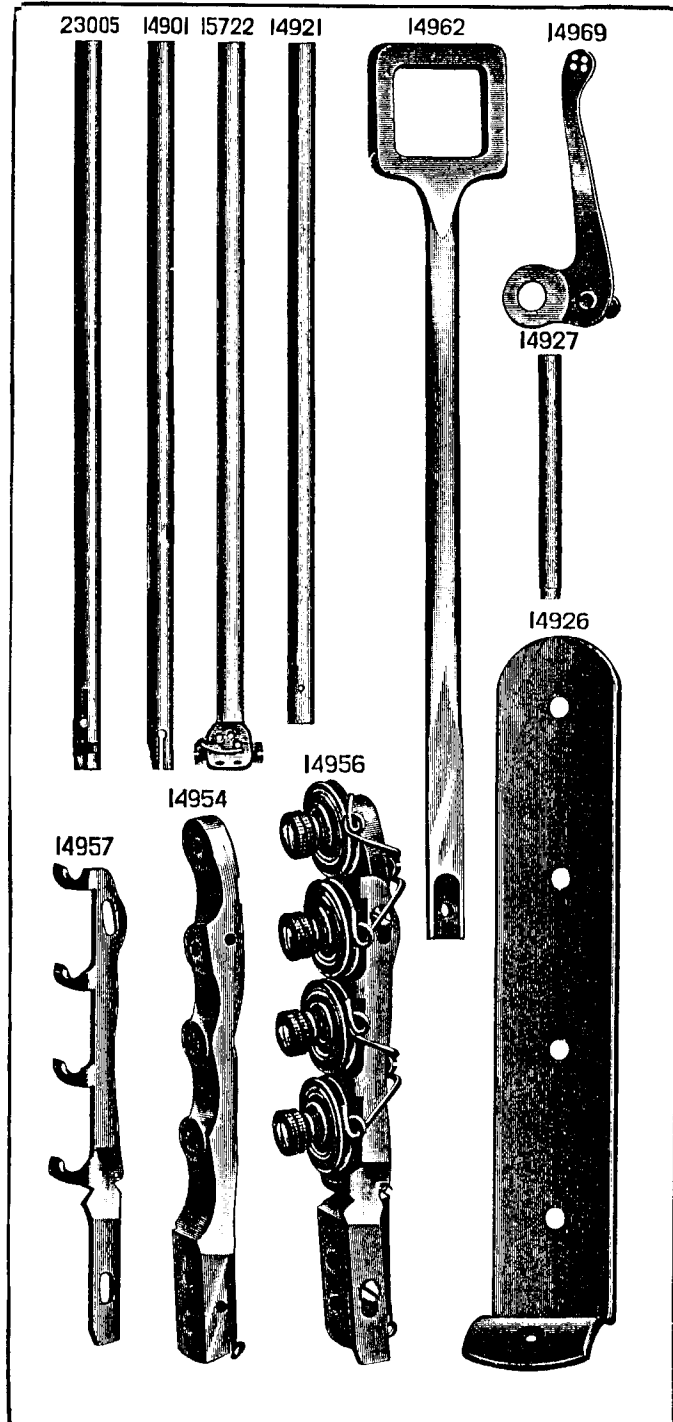


PLATE 2350—FULL SIZE

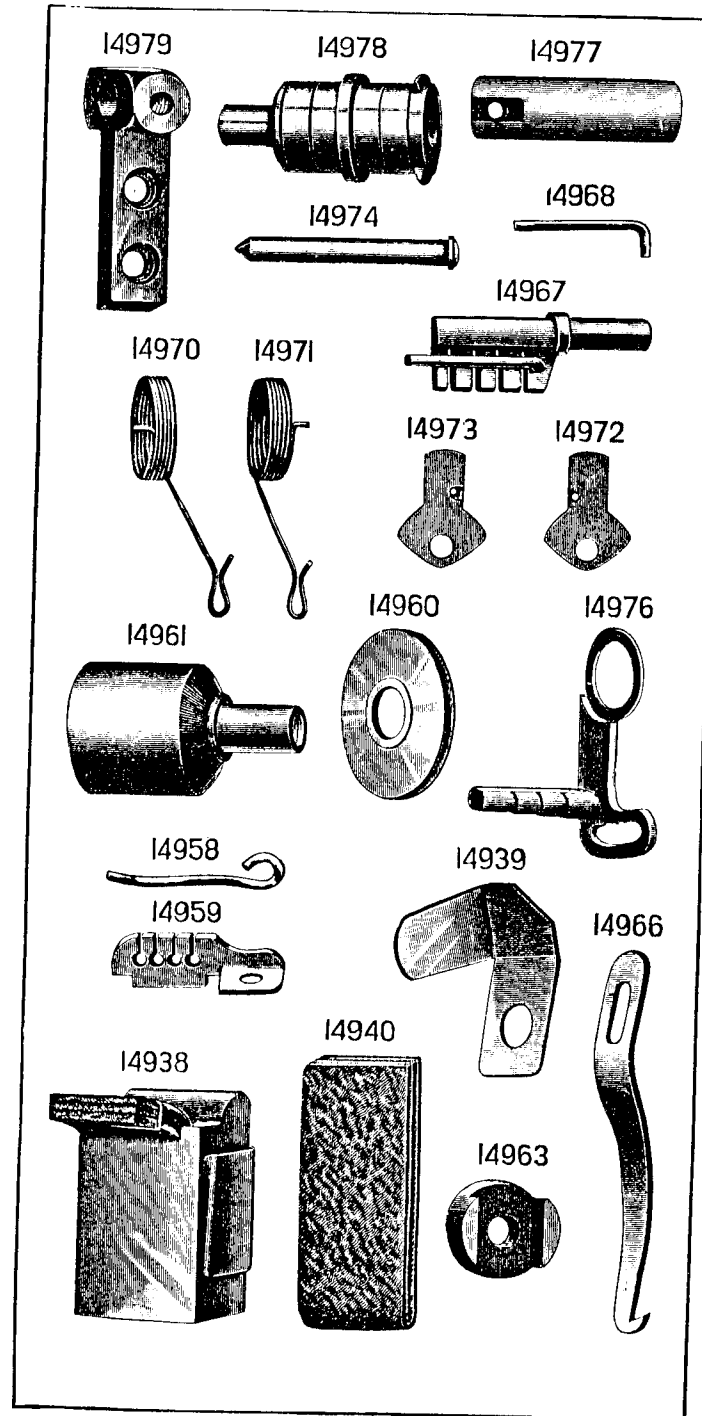


PLATE 2351—FULL SIZE

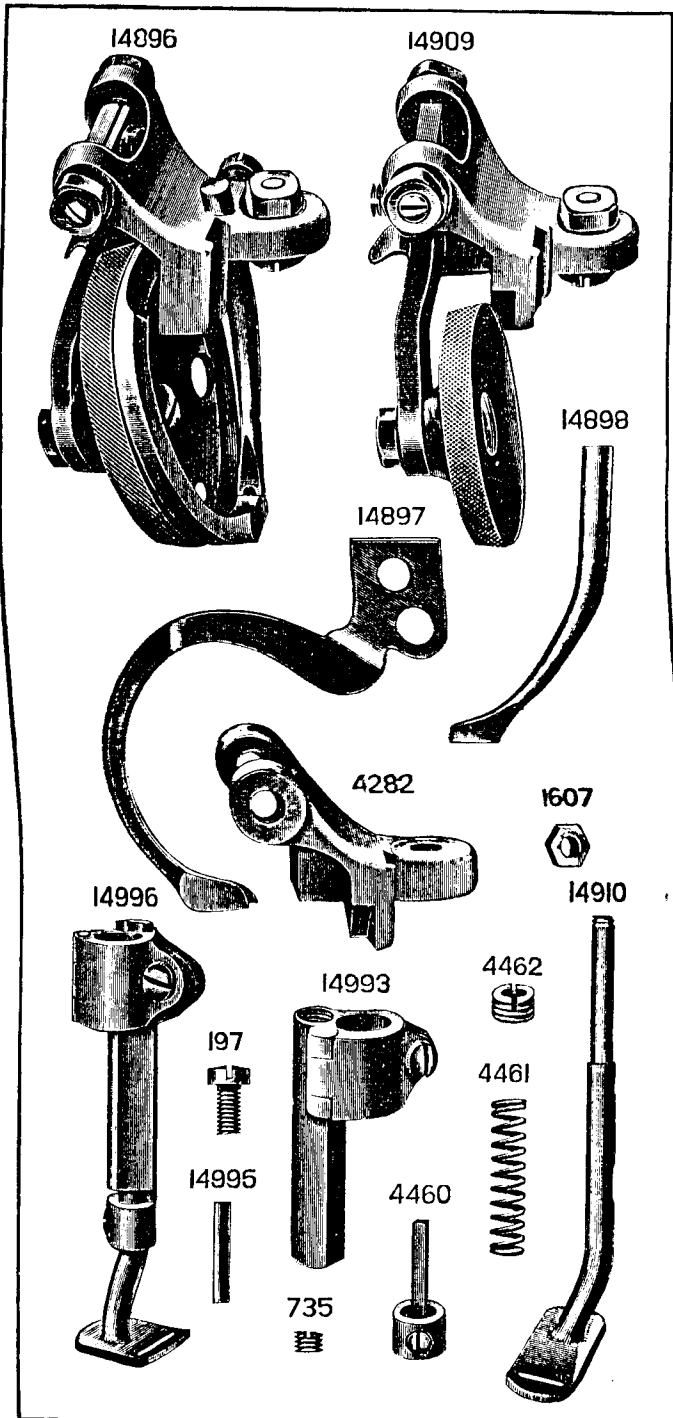


PLATE 2352—FULL SIZE

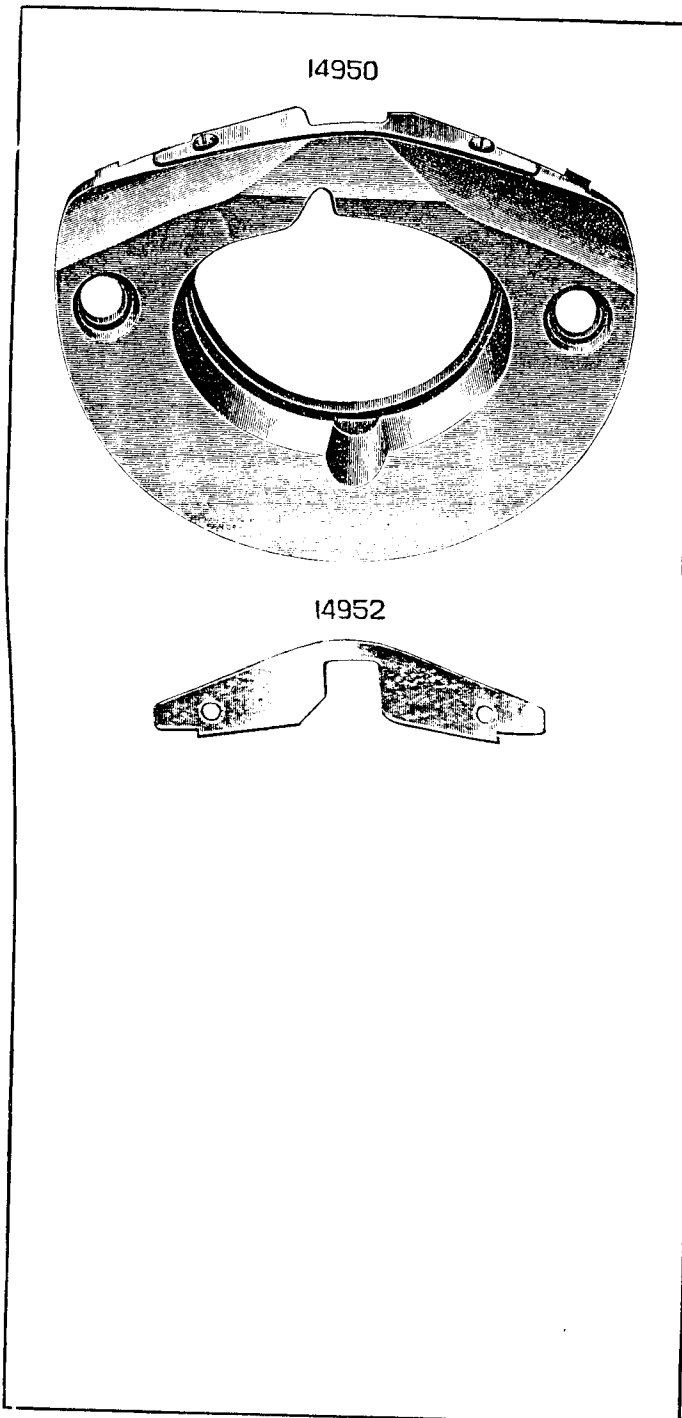


PLATE 2353—FULL SIZE

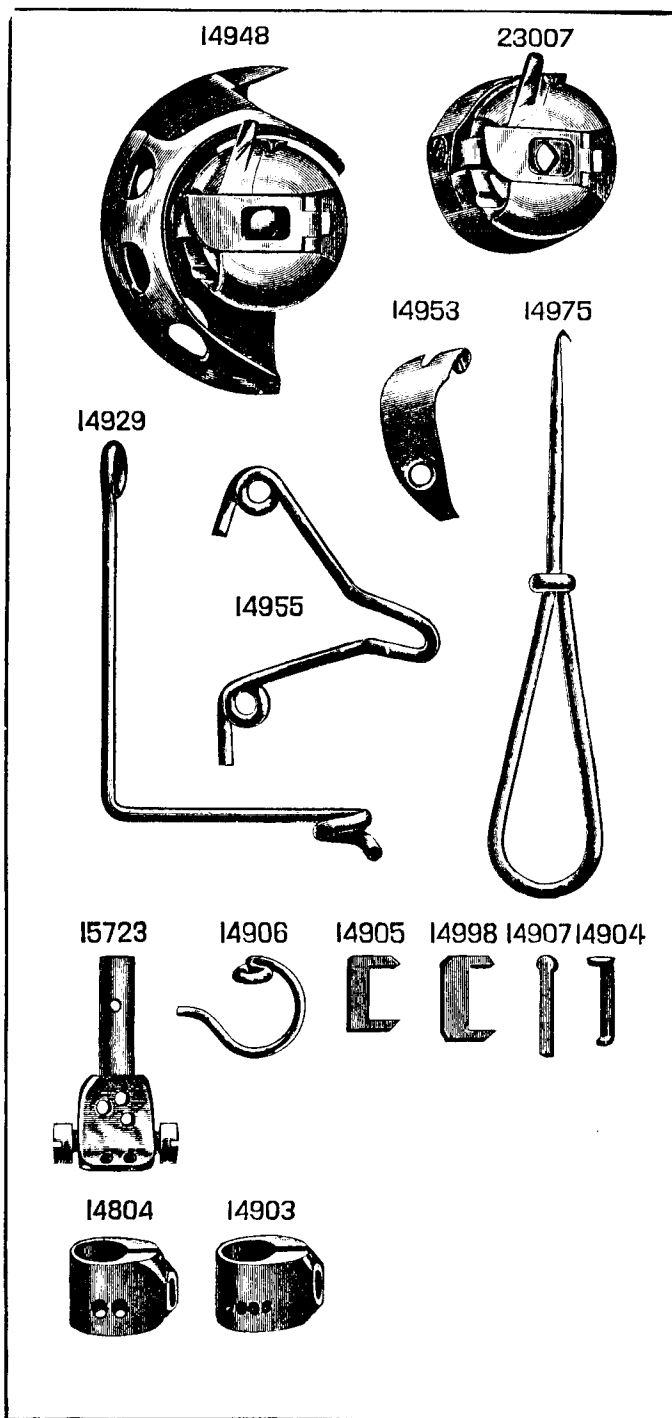


PLATE 2354—FULL SIZE

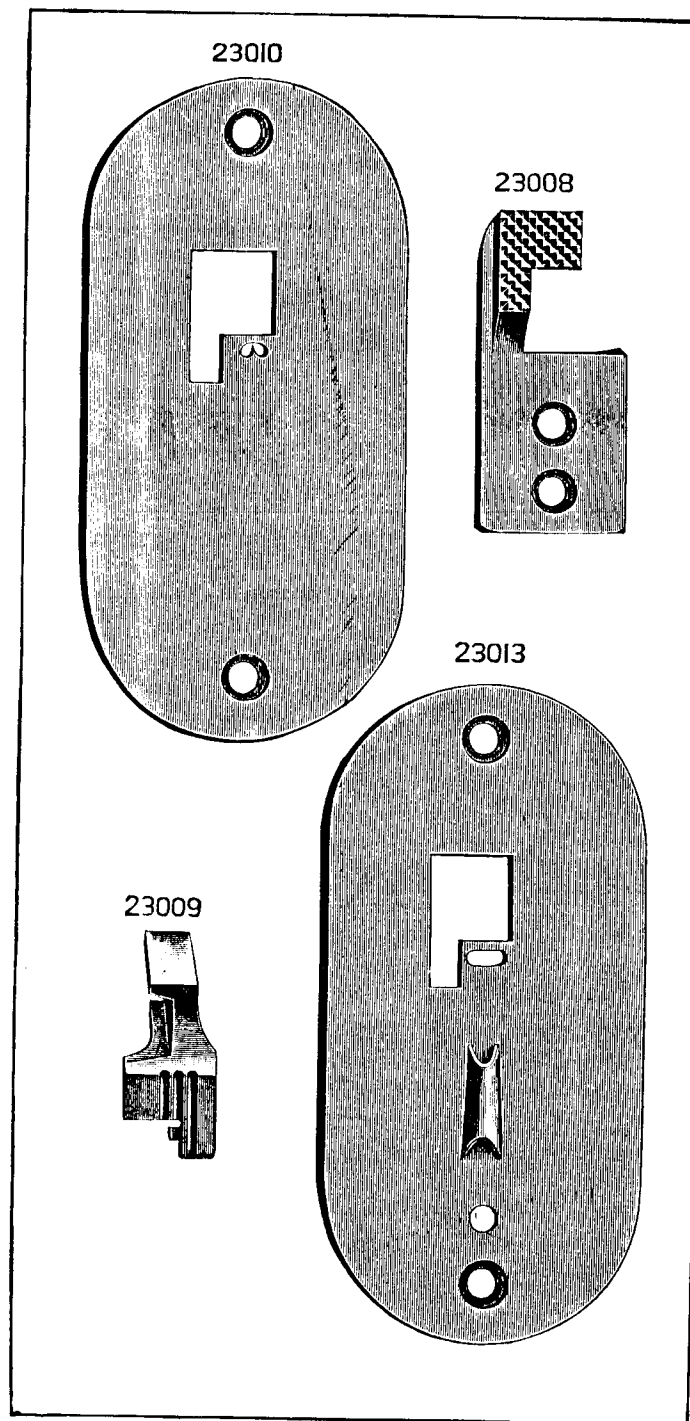
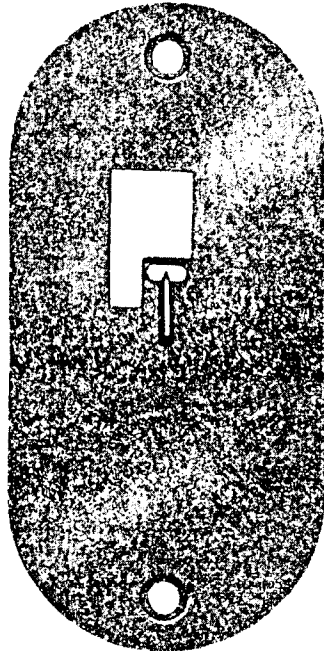


PLATE 2355—FULL SIZE

23014



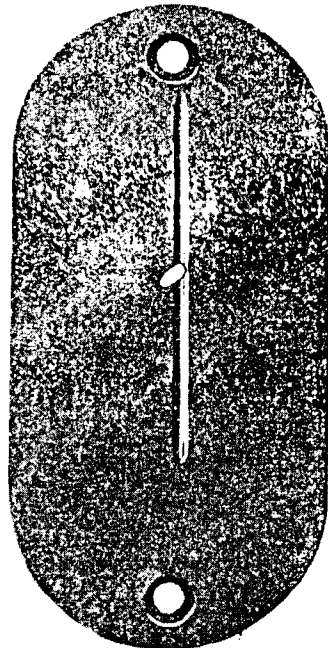
23011



23012



23032



23029



PLATE 2356—FULL SIZE

26297

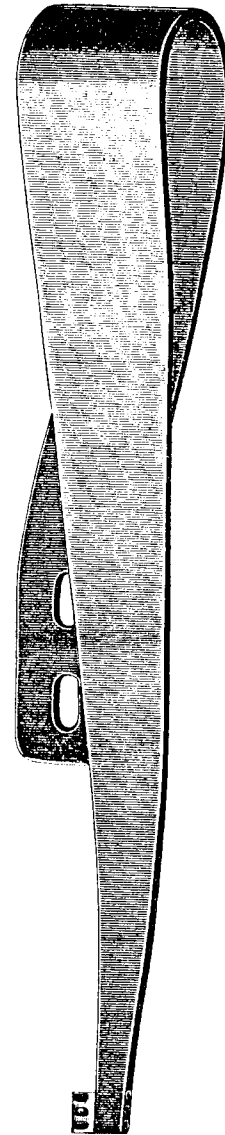


PLATE 2357—FULL SIZE

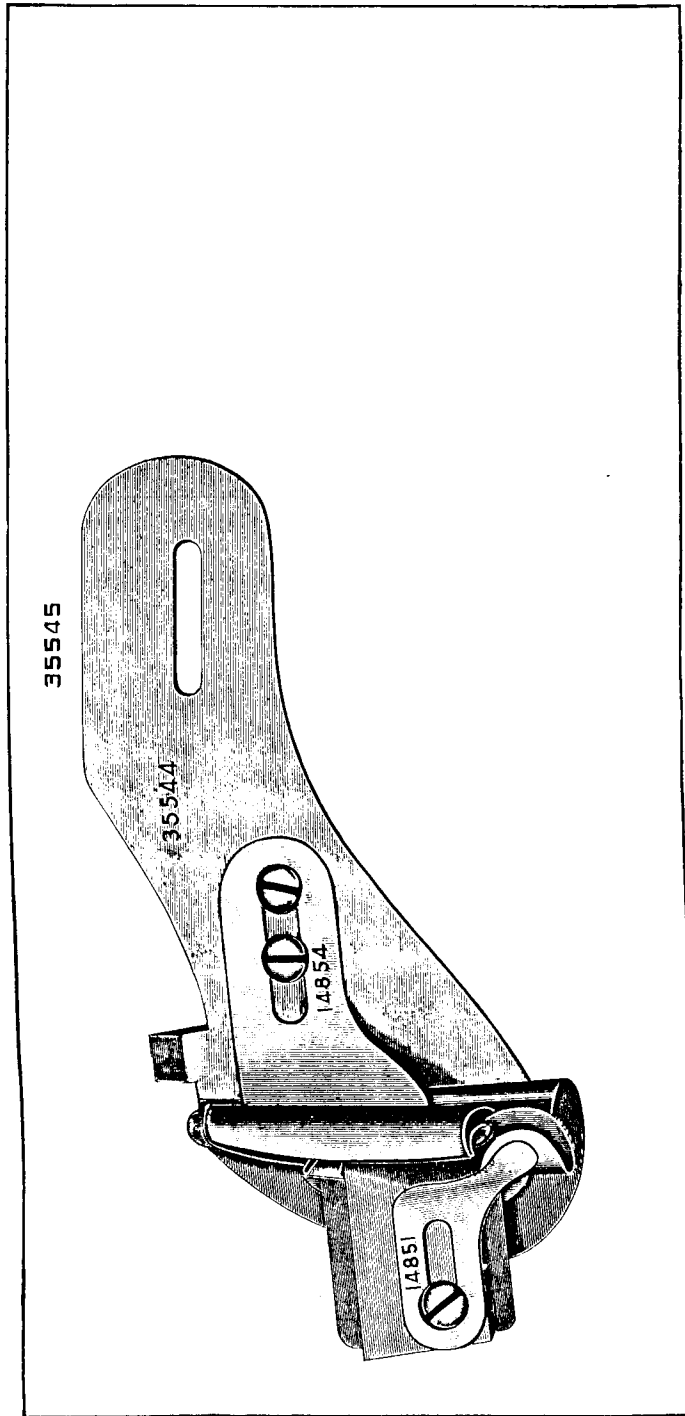


PLATE 2358—FULL SIZE

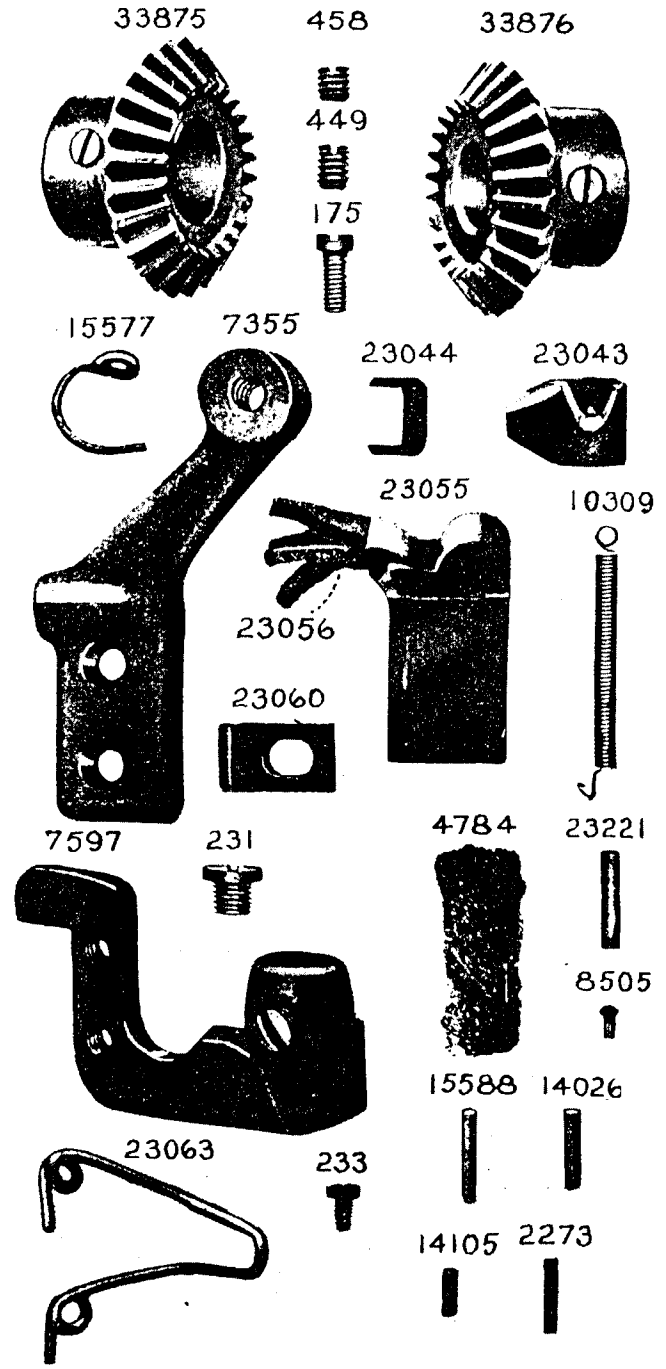


PLATE 2359—FULL SIZE

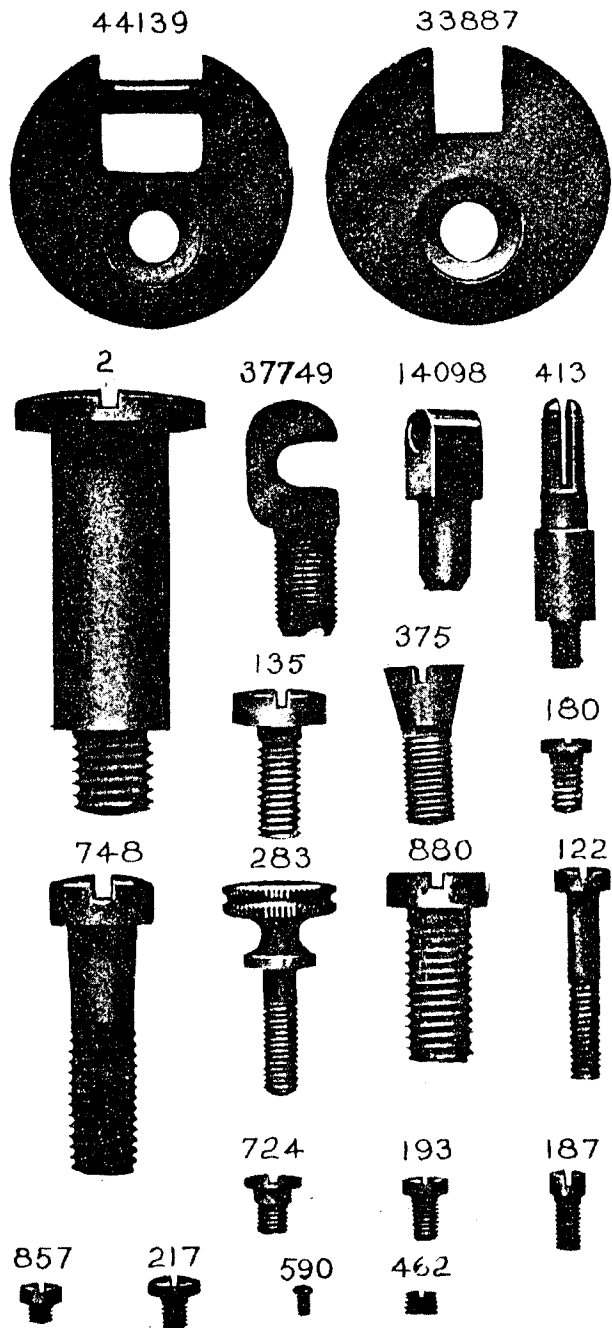


PLATE 2360—ONE-HALF SIZE

23042 23020 23030 23036 15517 23057

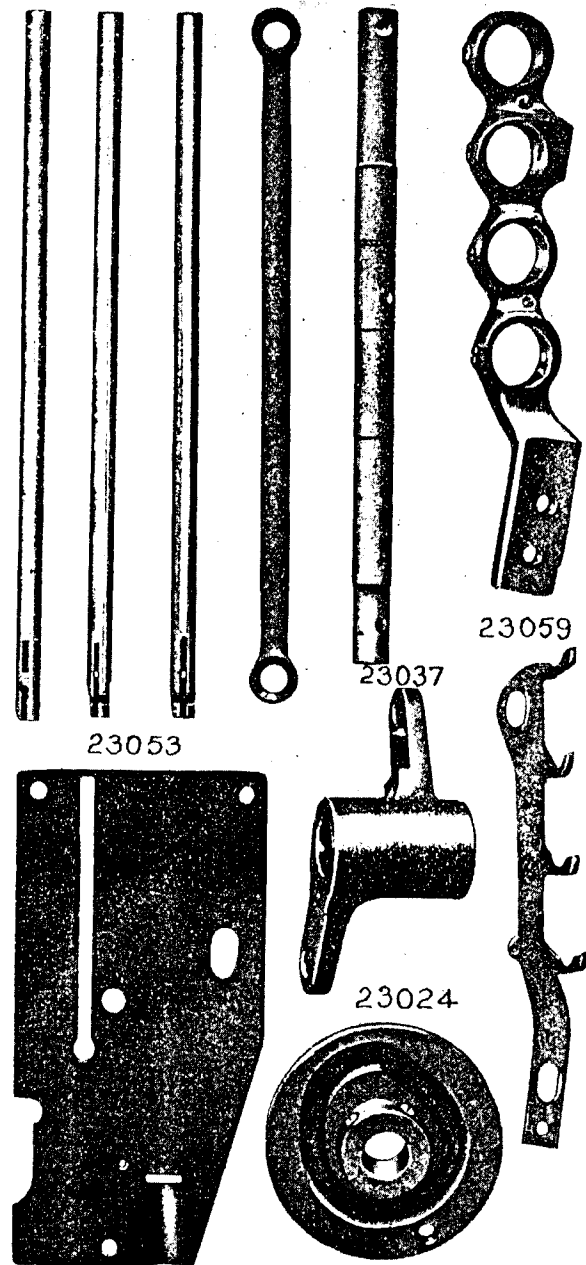
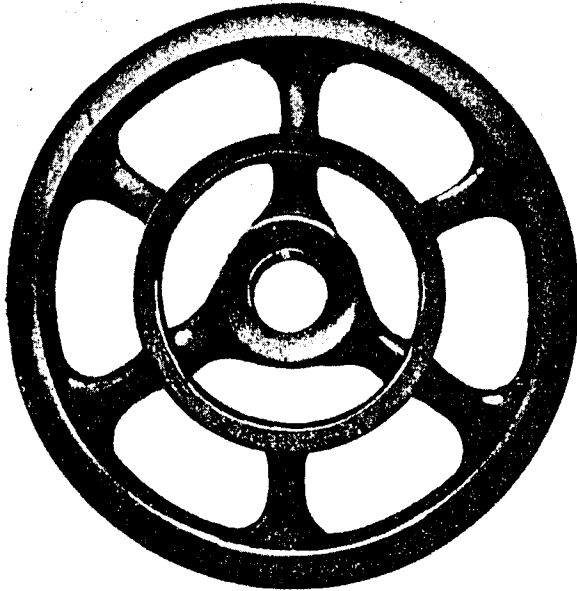
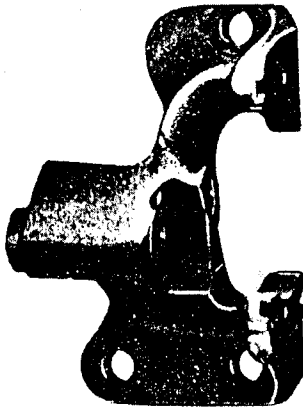


PLATE 2361—ONE-HALF SIZE

2862



23088



27055



14832



23039

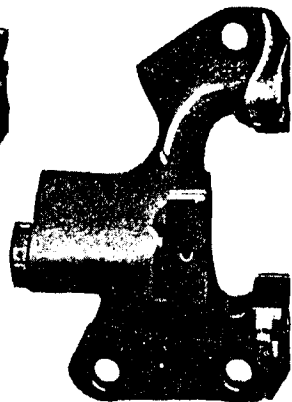


PLATE 2362—ONE-HALF SIZE

7721

23028

15773

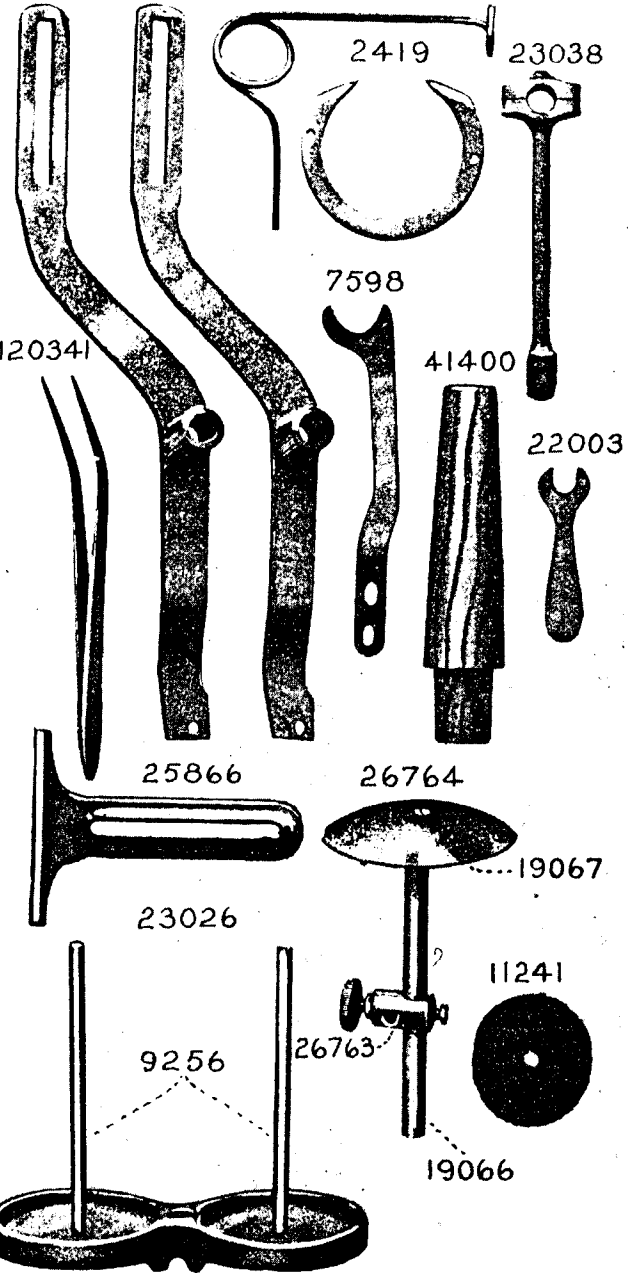
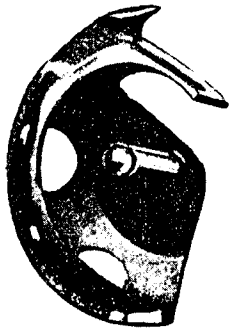


PLATE 2363—FULL SIZE

15728



15098



7330



15727



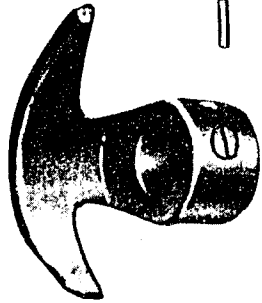
15140



591

592

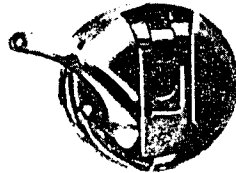
15731



2523



23006



14829

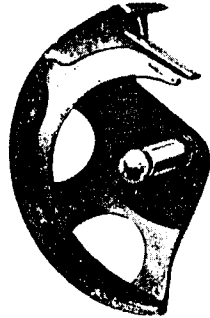
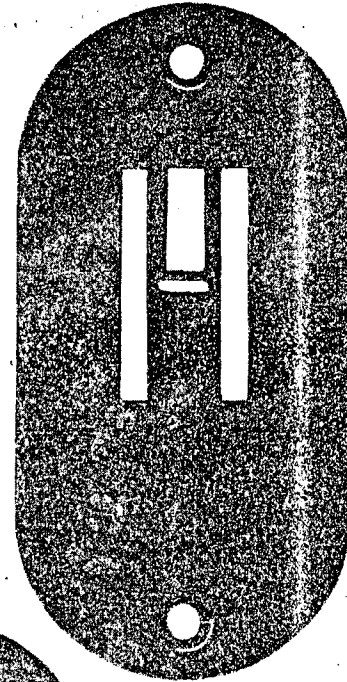
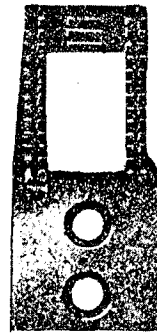


PLATE 2364—FULL SIZE

23066



23064



23067

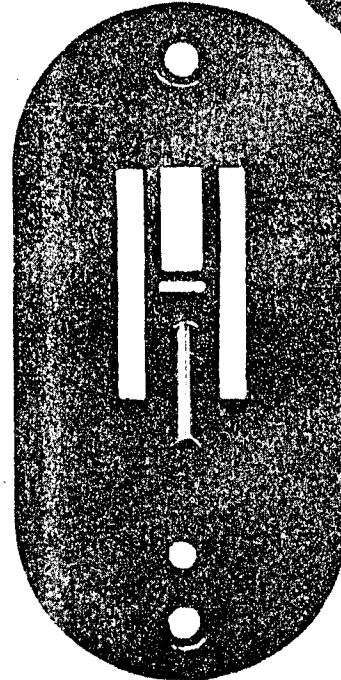




PLATE 2365—FULL SIZE

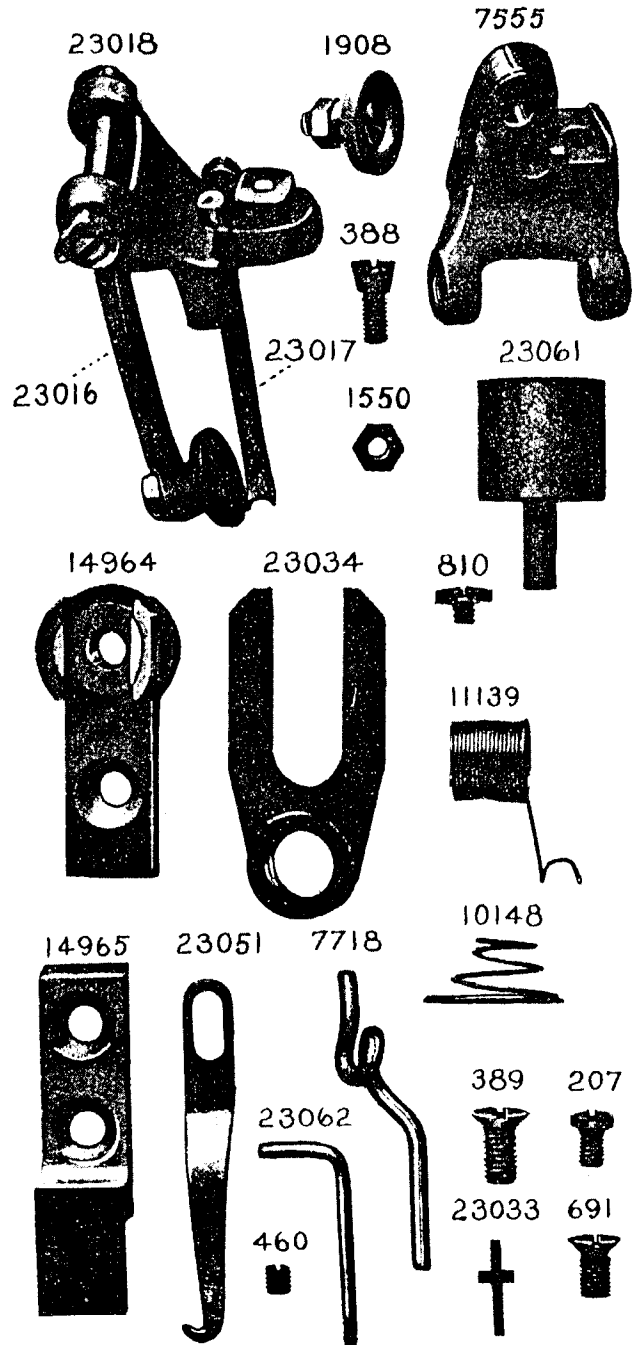


PLATE 2366—FULL SIZE

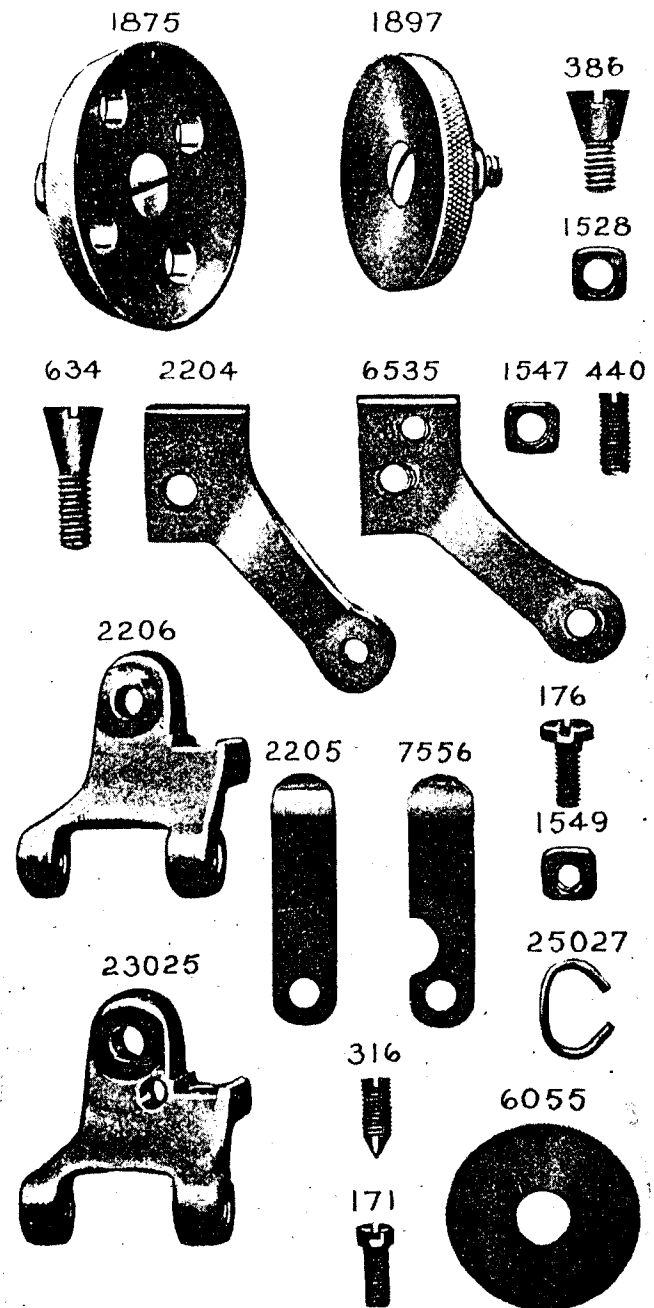
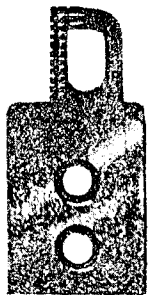
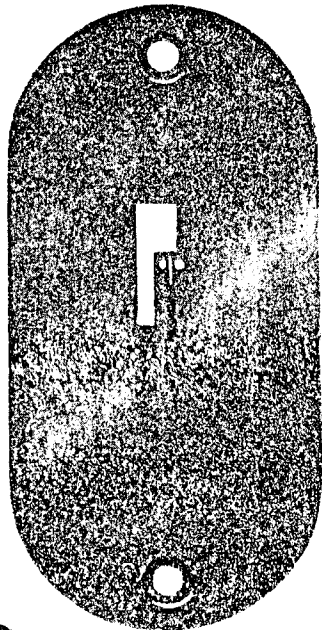


PLATE 2367—FULL SIZE

23015



23019



23021

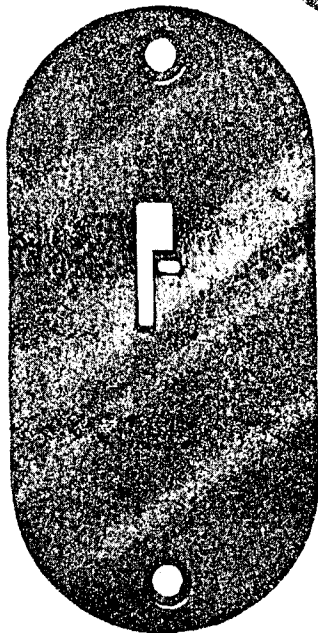
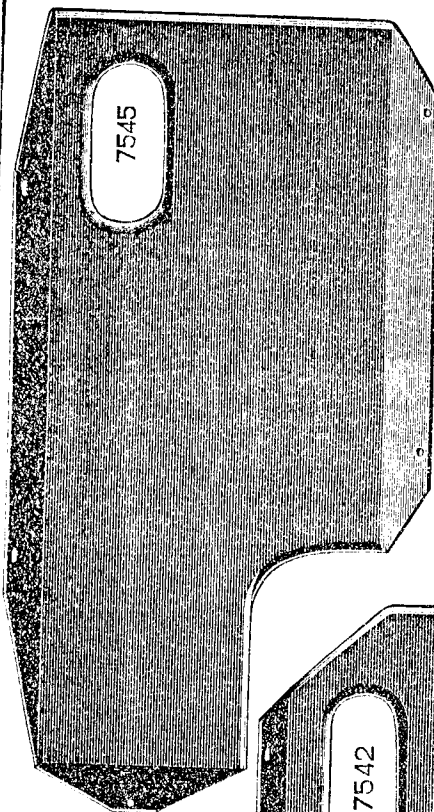


PLATE 2437—ONE-FOURTH SIZE

7545



7542

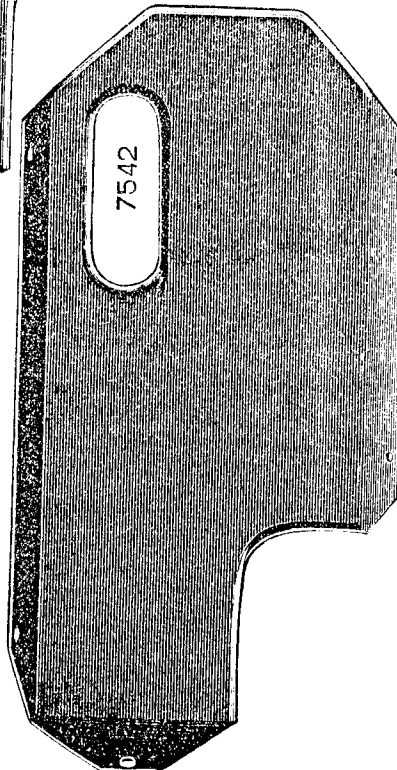


PLATE 5901—ONE-HALF SIZE

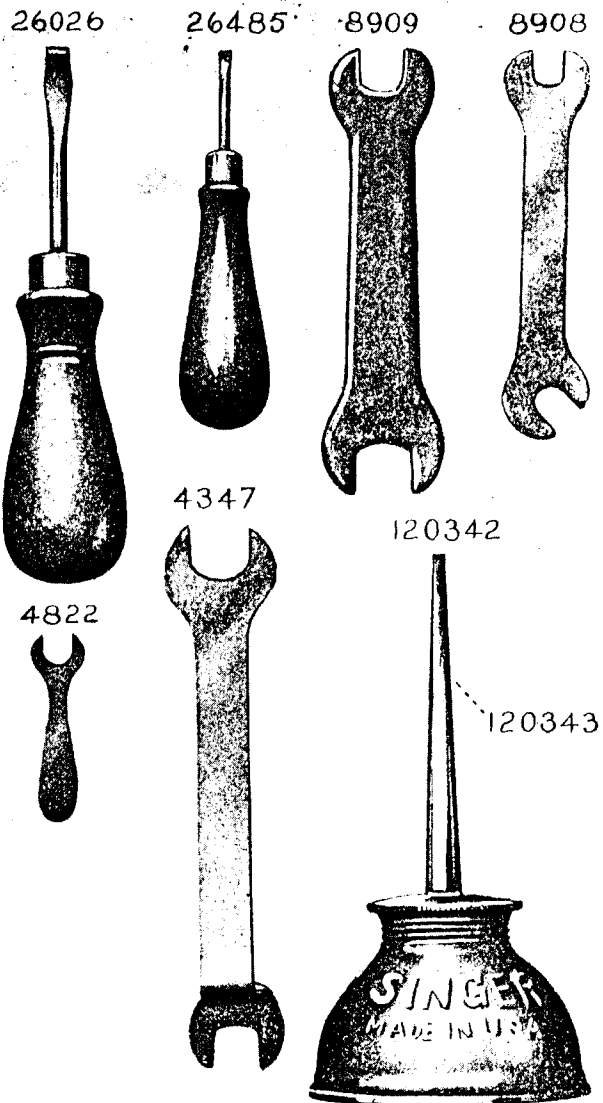


PLATE 7802—ONE-NINTH SIZE

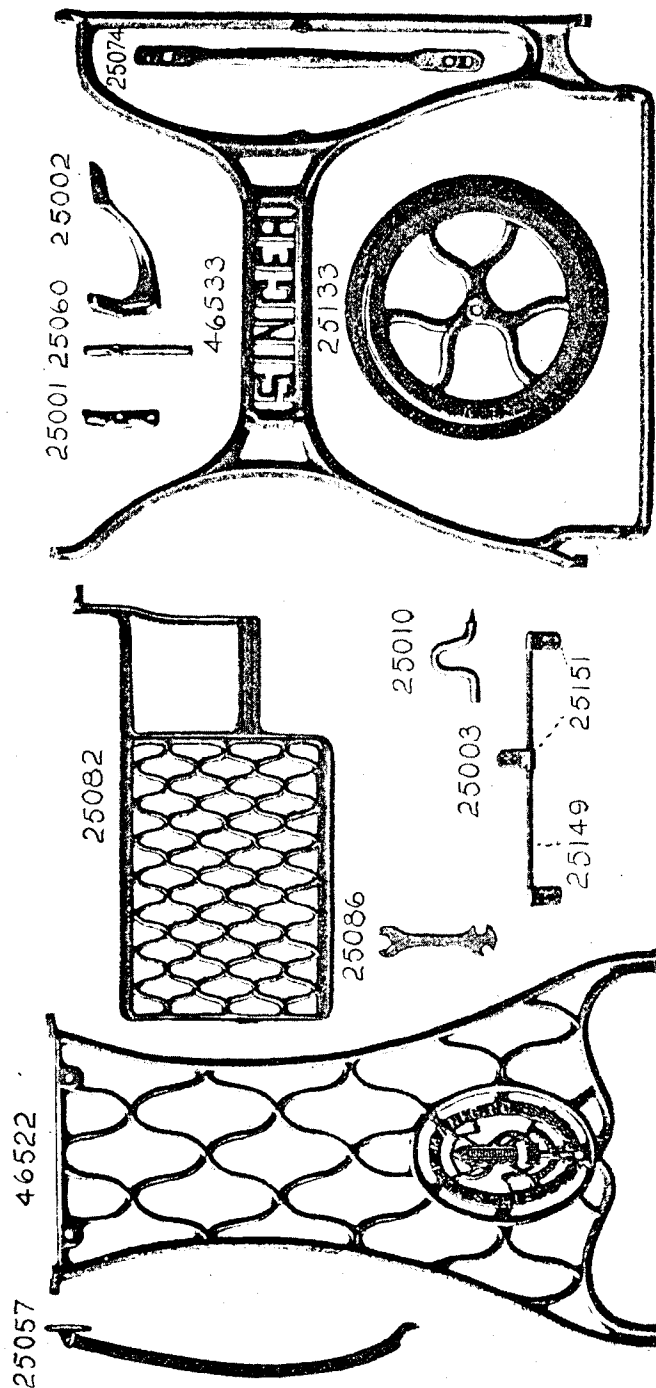


PLATE 7803—ONE-EIGHTH SIZE

