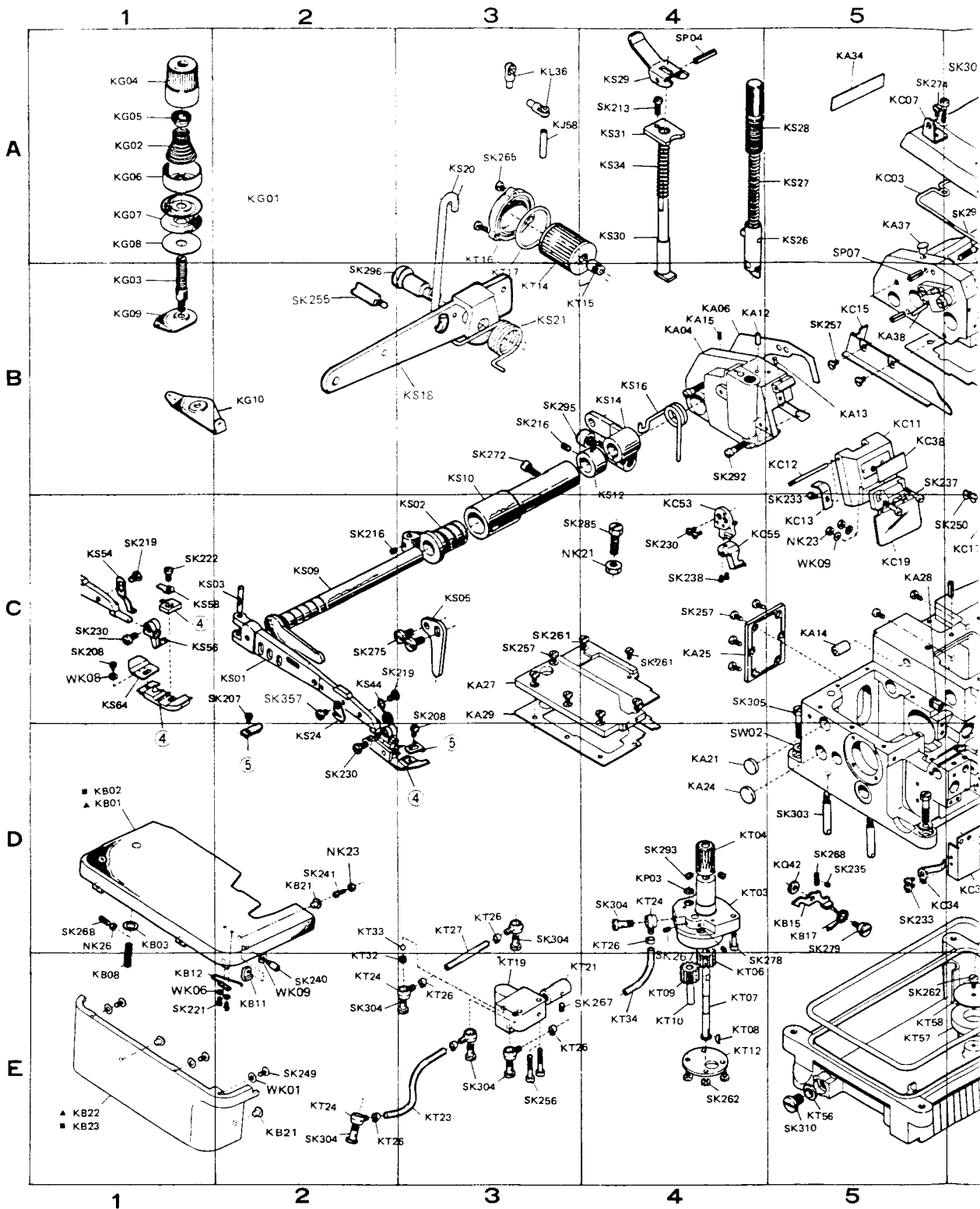


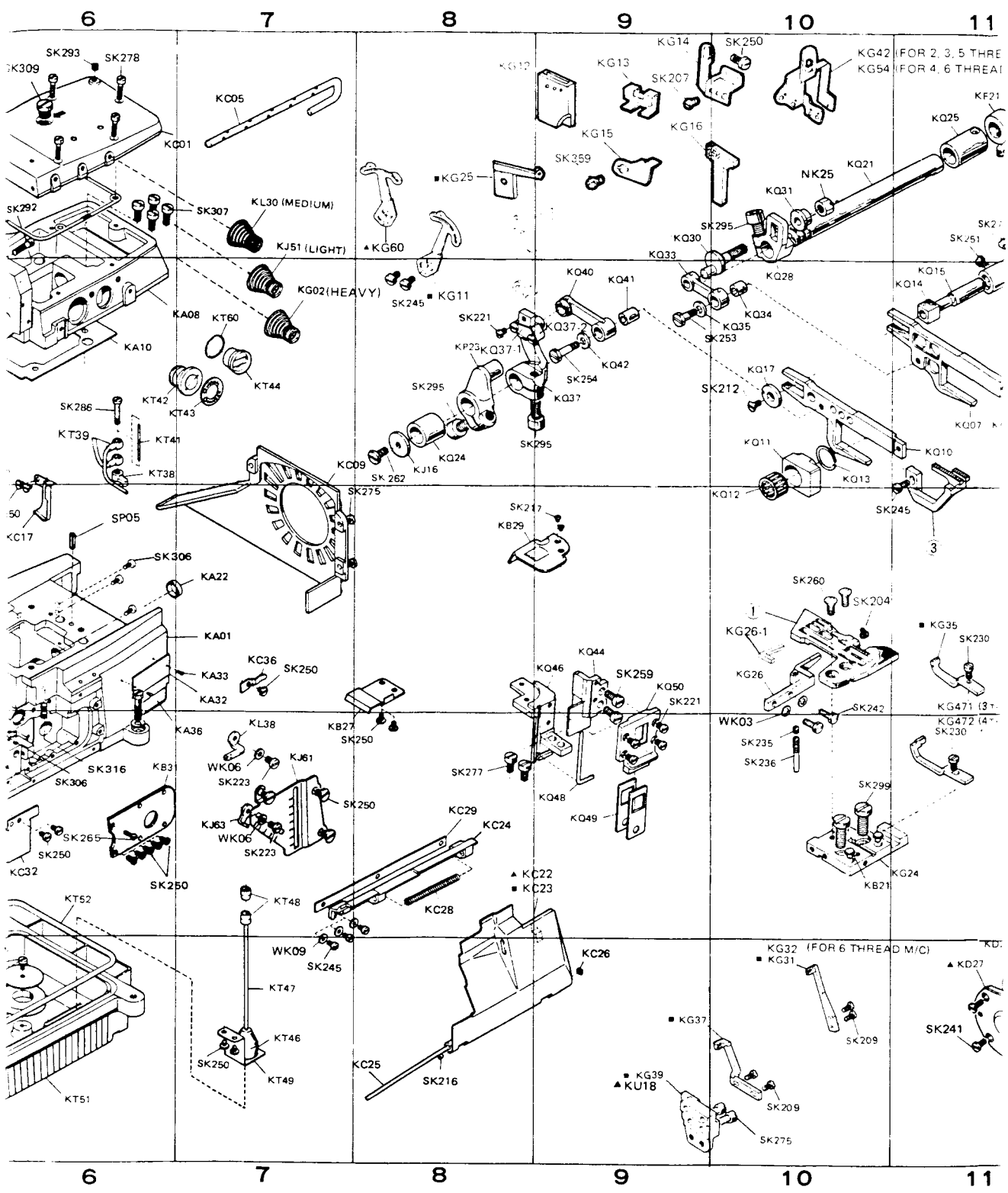
PARTS LIST

390 Series

390 SERIES

ULTRA HIGH SPEED
OVERLOCK MACHINE
SAFETY STITCH MACHINE



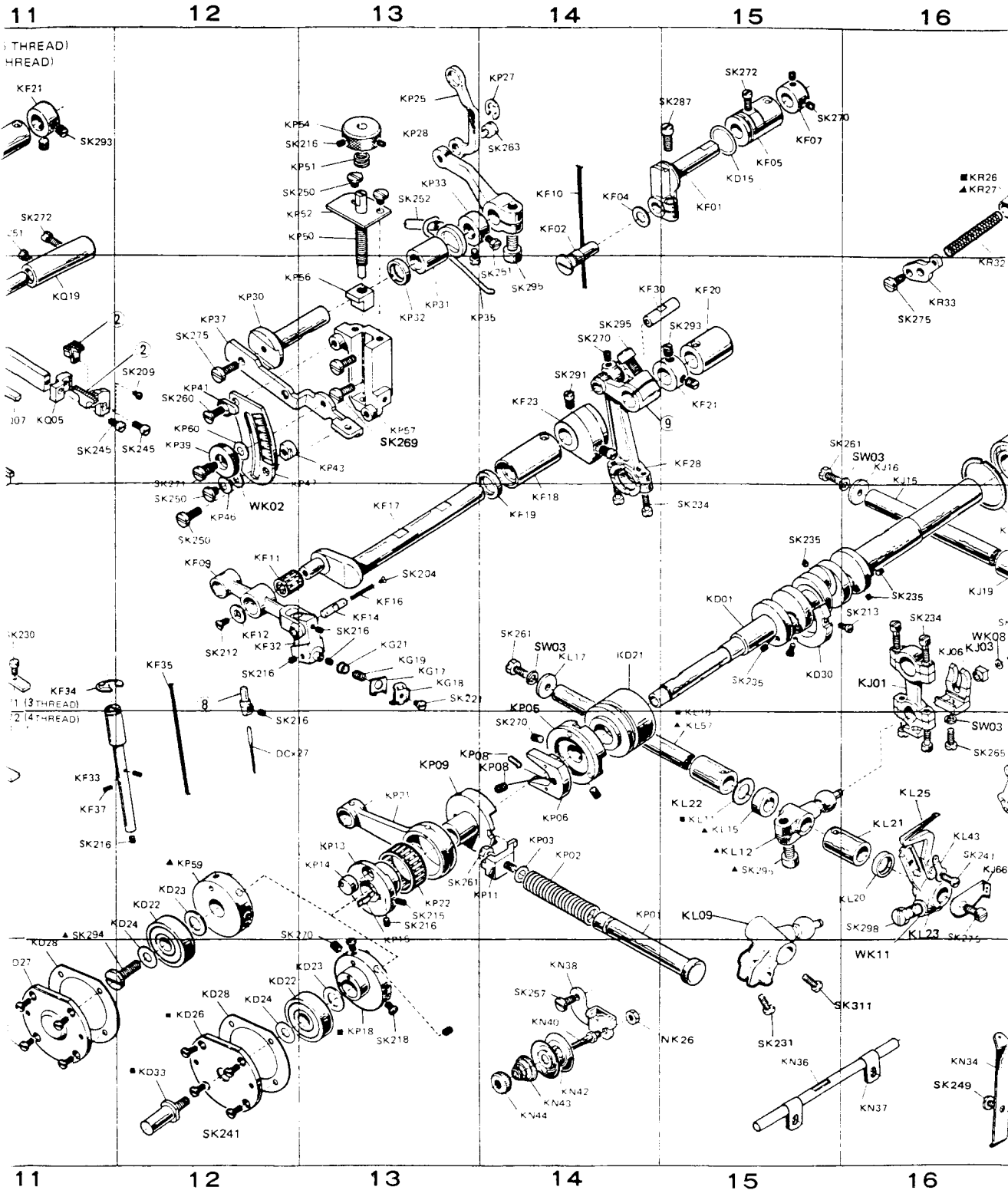


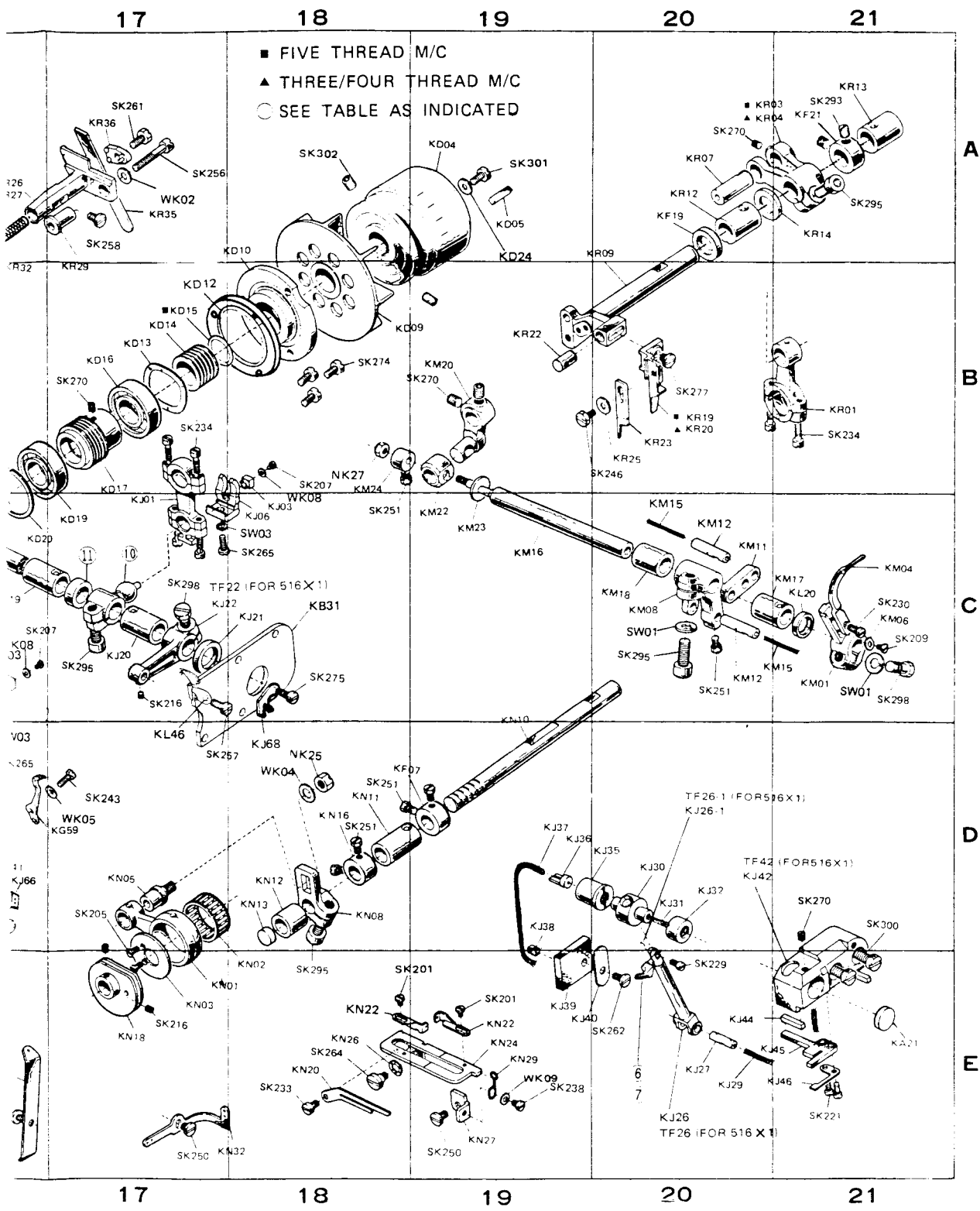
FOR 2, 3, 5 THREE
FOR 4, 6 THREAD

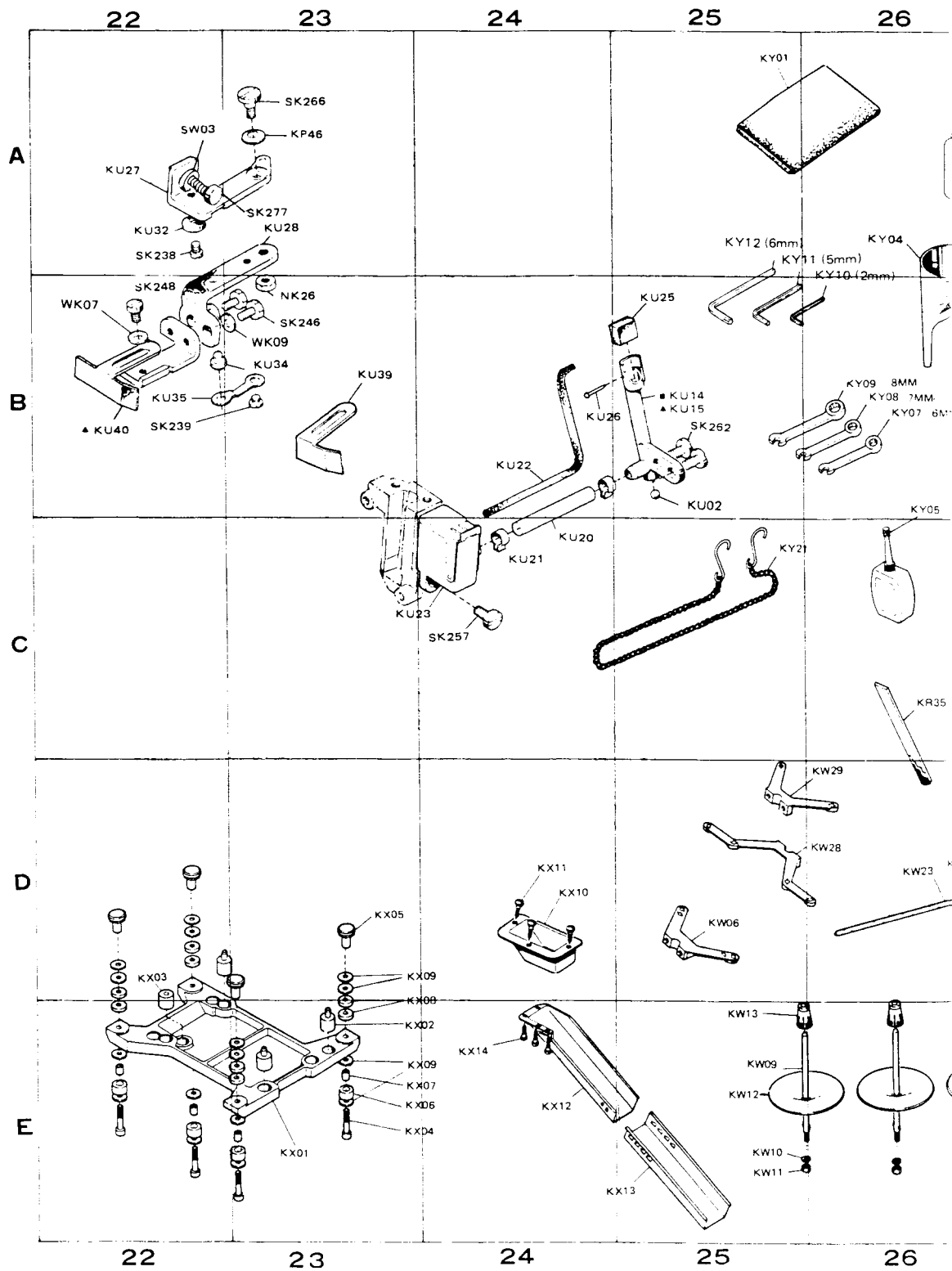
KG32 (FOR 6 THREAD M/C)

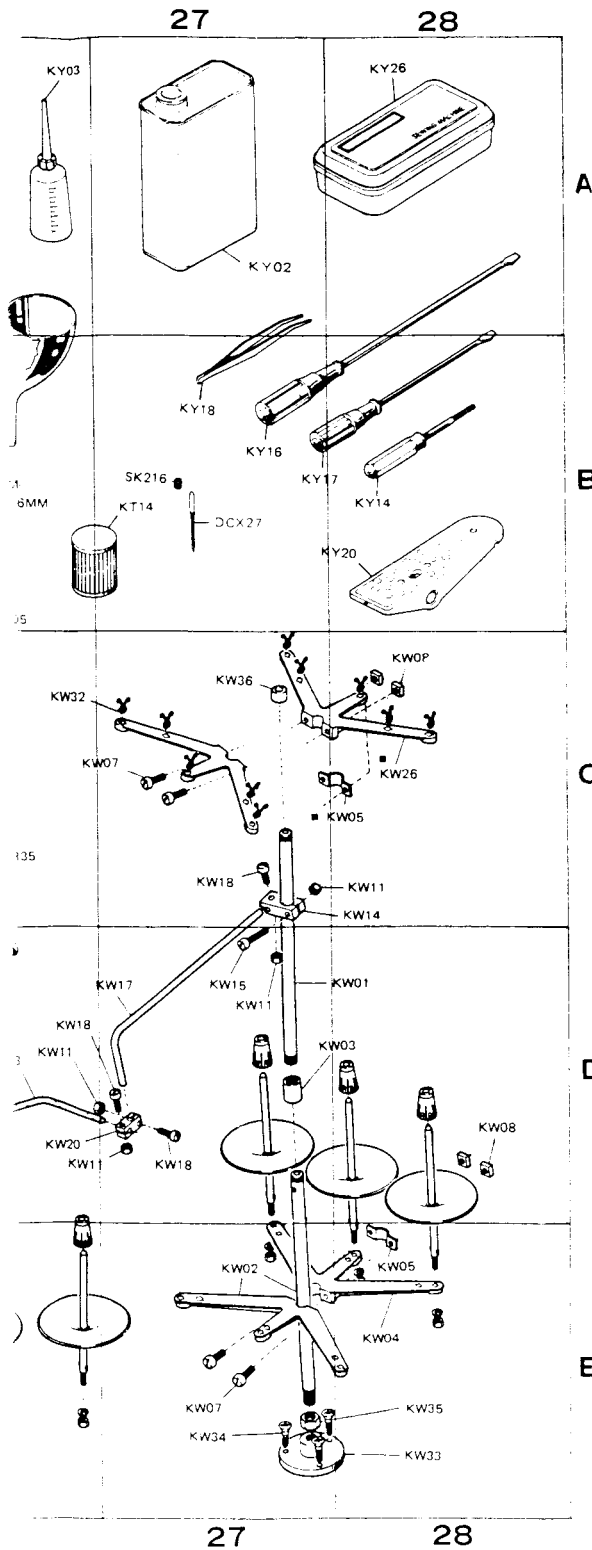
6 7 8 9 10 11

6 7 8 9 10 11









SEWING TYPE -SPEC	GAUGE NG SM	NEEDLE PLATE ①	FEED COMP. MAIN + AUX. ②	DIFF. FEED DOG ③	SHAPE	PITCH
503F1 - 04	4	E784	(D569) D438 + D674	H442		1.6
504M1 - 15	1.5	E934	(D290) D438 + D912	H442		1.6
504M2 - 04	4	E800	(D575) D440 - D095	H445		1.6
504M3 - 04	4	E796	(D574)	H445		1.6
504M3 - 05	5	E797	D440 + D674	H445		1.6
504H4 - 04	4	E800	(D996) D958 - D095	H959		1.6
505F1 - 03	3	E783	(D996)	H442		1.6
505F1 - 04	4	E784	D438 + D674	H442		1.6
512M1 - 24	2 4	E809	(D575)	H445		1.6
512M1 - 25	2 5	E810	D440 - D095	H445		1.6
514M2 - 24	2 4	E809	(D575)	H445		1.6
514M2 - 25	2 5	E810	D440 + D095	H445		1.6
514M4 - 23	2 3	E804	(D574)	H445		1.6
514M4 - 24	2 4	E805	D440 - D674	H445		1.6
514H4 - 24	2 4	E809	(D996)	H959		1.6
514H4 - 25	2 5	E810	D958 + D095	H959		1.6
516L1 - 24	2 4	E834	(D579)	H492		1.6
516L1 - 35	3 5	E834	D487 - D060	H492		1.6
516M1 - 55	5 5	E851	(D581) D489 + D502	H494		1.6
516H1 - 55	5 5	E351	(D582) D490 + D502	H495		2.5
516H4 - 35	3 5	E982	(D002) D008 + D502	H957		1.6
516H4 - 55	5 5	E986	(D003) D956 + D502	H957		1.6
516X1 - 55	5 5	E853	(D582)	H495		2.5
516X1 - 56	5 6	E854	D490 + D502	H495		2.5

- KA -

7C KA01	1E KB22	18B KD09	20A KF19	10C KG26-1
4B KA04	1E KB23	18A KD10		10E WK03
4B KA06	2E WK01	17B KD12	14C KF19	10E KG31
5A SP07	7D KB27	17B KD13	15B KF20	10E KG32
6B KA08	8C KB29	17B KD14	15B KF21	
	6D KB31	17B KD15	21A KF21	11C KG35
		15A KD15		10E KG37
			14B KF23	9E KG39
			14B KF25	10A KG42
			14B KF26	11C KG47-1
			17C KD19	11C KG47-2
			16C KD20	10A KG54
			14C KD21	
			12C KD22	17D KG59
			12D KD22	17D WK05
			13C KD23	11C KG60
			12D KD23	
			12E KD24	
			19A KD24	
			12E KD26	
			11E KD27	
			11E KD28	
			12E KD28	
			15C KD30	
			12E KD33	
			1A KG06	
			1A KG07	
			1A KG08	
			1B KG09	
			2B KG10	
			8B KG11	
			14A KF04	
			15A KF05	
			15A KF07	
			13C KF07	
			12C KF09	
			14A KF10	
			12C KF11	
			12C KF12	
			13C KF14	
			13C KF16	
			13C KF17	
			14B KF18	

- KC -

6A KC01	12E KD22	12C KF32	17D KG59
5A KC03	12D KD22	11D KF33	17D WK05
7A KC05	12D KD22	11C KF34	11C KG60
5A KC07	12C KD23	12C KF35	
7B KC09	12D KD23	11D KF37	
	12E KD24		
	19A KD24		
	12E KD26		
	11E KD27		
	11E KD28		
	12E KD28		
	15C KD30		
	12E KD33		
	1A KG06		
	1A KG07		
	1A KG08		
	1B KG09		
	2B KG10		
	8B KG11		
	14A KF04		
	15A KF05		
	15A KF07		
	13C KF07		
	12C KF09		
	14A KF10		
	12C KF11		
	12C KF12		
	13C KF14		
	13C KF16		
	13C KF17		
	14B KF18		

- KB -

1D KB01	15A KF01	8B KG11	16B KJ15
1D KB02	14A KF02	12D DCX27	16B KJ16
1D KB03	14A KF04	27B DCX27	8B KJ16
2D NK23	15A KF05	8A KG12	16B SW03
1D NK26	15A KF07	9A KG13	16C KJ19
	7C KC36	9A KG14	17C KJ20
	5B KC38	9A KG15	19C KJ21
	5C KC38	9A KG16	17C KJ22
	4C KC53	12C KG17	20C KJ26
	4C KC55	13C KG18	20C KJ26-1
		13C KG19	20C KJ27
		13C KG21	
		11D KG24	
		9A KG25	
		11C KG26	

- KD -

1E WK06	13C KF14	13C KG21	20E KJ29
9D KB15	13C KF16	11D KG24	20E KJ30
5D KB17	13C KF17	9A KG25	20E KJ30
10C KB21	14B KF18	11C KG26	20E KJ31

