

**SINGER**

**400W101,102,103**



2774w

COPYRIGHT FILE  
EDITORIAL DEPT.  
HISTORICAL COPY  
DO NOT REMOVE

LIST  
OF  
PARTS



MACHINES  
Nos. 400 w 101, 400 w 102  
and 400 w 103

THE SINGER MANUFACTURING COMPANY

## INDEX

---

Accessories .....	14
Bed Frame .....	35
Binders .....	16
Bobbin Winders .....	14-18
Corder .....	19
Finger Guards .....	19
Fittings .....	19
Guide .....	24
Hemmers .....	24
Knee Lifter .....	15
Machine No.400w101 .....	5
Machine No.400w102 .....	12
Machine No.400w103 .....	13
Miscellaneous Parts .....	27
Numerical List of Parts .....	37
Piping Attachment .....	28
Presser Feet .....	28
Presser Foot Extensions .....	30
Puller Feed .....	30
Quilter .....	31
Ruffler .....	32
Thread Unwinder .....	33
Tucker .....	33

Copyright, U. S. A., 1938, 1939, 1940 and 1941  
by The Singer Manufacturing Co.  
All Rights Reserved for all Countries

# INSTRUCTIONS FOR ORDERING

In ordering from this list, use ONLY the PART number in the FIRST column.

The number stamped on a Sewing Machine Part is the number of the Single Part only, except when the part includes Set Screws, Clamping Screws, Studs and Rollers Spun on, Small Wires riveted, or Parts soldered together, etc., which it is necessary to furnish in combination.

Every combination of parts sent out has its specific number which, although not stamped on Parts (except in above case), must be used when ordering the combination.

Each number always indicates the SAME PART in whatever list it appears, or for whatever Machine.

The letters after some of the numbers indicate the style of finish only, as follows:

- A. Hardened, Polished, Nickel Plated and Buffed.
- B. Polished, Nickel Plated and Buffed.
- C. Hardened only.
- D. Polished only.
- E. Soft, not polished.
- F. Hardened and Polished.
- H. Blued.
- J. Nickel Plated only.
- R. Merlized.
- X. Black Oxide.
- XC. Hardened and Black Oxide.
- Y. Black Nickel only.

These letters MUST BE USED when they appear in the list and AFTER the number, as in the list.

In this series:

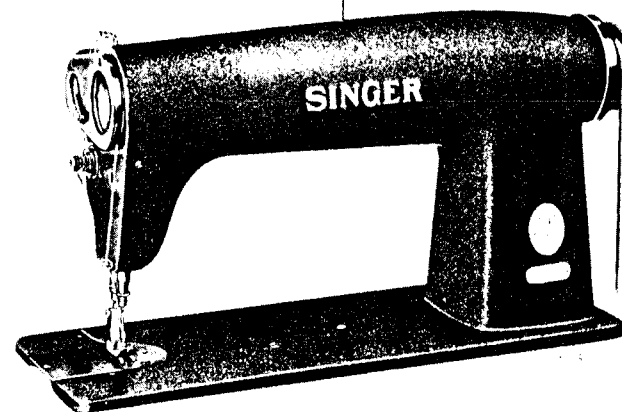
200001 to 201500 and 350001 to 351500 are Screw Numbers.  
 201501 to 201800 and 351501 to 351800 are Nut Numbers.  
 201801 to 202000 and 351801 to 352000 are Roller Numbers.  
 202001 to 350000 are Numbers of Machine Parts.

The figures in the second column refer only to the plate in which the illustration of the part is shown and are NOT TO BE USED in ordering.

Two or more numbers over a cut indicate that the difference between such parts is not visible in an illustration.

Parts marked with an asterisk (\*) are furnished when repairs are made at the factory.

## LIST OF PARTS COMPLETE FOR



### MACHINE No. 400w101

DOUBLE ROTARY DISC TAKE-UP.

HIGH SPEED.

SINGLE NEEDLE. LOCK STITCH. DROP FEED.

LONG ARM.

NEEDLE BAR STROKE  $1\frac{1}{64}$  INCHES. PRESSER BAR LIFT  $\frac{3}{32}$  INCH.

FOR STITCHING LIGHT AND MEDIUM WEIGHT FABRICS.

No.	Plate	Name
*270251	-----	Arm
270002	18332	" Cover Plate (back)
200041X	18332	" " " Screw (2)
204235	18332	" Position Pin (2)
200004E	18332	" Screw (3)
202005	18332	" " Washer (3)
*270252	-----	" Shaft
270301	18326	" " 270252 with 200333C, 200362C and 270306
270004	18326	Arm Shaft Ball Bearing (back)
270005	18326	" " " " (front)
224103	18326	" " Connection Belt
270006	18326	" " " " Pulley with 200363C, 200439C and two 202253
200439C	18326	Arm Shaft Connection Belt Pulley Position Screw
200363C	18326	Arm Shaft Connection Belt Pulley Set Screw



No.	Plate	Name
202253	18326	Arm Shaft Connection Belt Pulley Spring Flange
270101	18326	Balance Wheel (belt groove 2-1/8 in. diam.) with two 200354C
270104	18326	Balance Wheel (belt groove 1-13/16 in. diam.) with two 200354C
270103	18326	Balance Wheel 270101 with 270004, 270102 and two 200582H
		Note: Balance Wheel 270103 is furnished with this machine unless otherwise specified on order
270105	18326	Balance Wheel 270104 with 270004, 270123 and two 200582H
270106	18326	Balance Wheel "V" belt groove (outside diam. of belt groove 2.9 in.) with two 200354C
270107	18326	Balance Wheel 270106 with 270004, 270102 and two 200582H
270102	18326	Balance Wheel Cap
270123	18326	" " " "
200582H	18326	" " " Screw
200354C	18326	" " " Set Screw
*270254	-----	Bed
270009	18332	" Slide
270255	18331	Face Plate
200582H	18331	" " " Screw (5)
143030	18305	Feed Bar
270012	18305	" " " Center (2)
200394C	18305	" " " Set Screw
52266	18305	" " " Slide Block
52267	18305	" " " " 52266 with 125060
*125060	18305	" " " " Stud
52031	18309	" Dog, 19 teeth (22 teeth to the inch)
50117E	18309	" " " Screw (2)
270013	18305	" Driving Connection
270014	18305	" " " 270013 with 270016
270015	18305	" " " Crank with 200040E
200040E	18305	" " " " Pinch Screw
200545C	18305	" " " Hinge Screw
201522E	18305	" " " " Nut
270016	18305	" " " Needle Bearing
270017	18329	" " " Eccentric
270018	18329	" " " Adjusting Disc
248415	18329	" " " " " "
		Spring
270019	18329	Feed Driving Eccentric Adjusting Disc Spring Collar with 201220C
201220C	18329	Feed Driving Eccentric Adjusting Disc Spring Collar Position Screw
240231	18329	Feed Driving Eccentric Friction Gib
200369C	18329	" " " " " Adjusting Screw

No.	Plate	Name
350101C	18329	Feed Driving Eccentric Friction Gib Adjusting Screw Set Screw
270020	18329	Feed Driving Flange with 200333C, 200346C, two each 200369C and 350101C
200333C	18329	Feed Driving Flange Position Screw
200346C	18329	" " " " Set Screw
270021	18305	" " " Rock Shaft with two 200394C
270022	18305	" " " " Center (2)
350277C	18305	" " " " " Set Screw (2)
270013	18305	" Lifting Connection
270014	18305	" " " 270013 with 270016
270015	18305	" " " Crank with 200040E
200040E	18305	" " " " Pinch Screw
200545C	18305	" " " Hinge Screw
201522E	18305	" " " " " Nut
270016	18305	" " " Needle Bearing
270023	18329	" " " Eccentric with 200382C and 201220C
201220C	18329	Feed Lifting Eccentric Position Screw
200382C	18329	" " " " Set Screw
270024	18305	" " " Rock Shaft with 52267
270022	18305	" " " " Center (2)
350277C	18305	" " " " " Set Screw (2)
270025	18329	" Regulating Stud
270026	18329	" " " Spring
240245	18329	" " " Retaining Spring
270256	18330	Knee Lifter Lifting Link
270285	18332	" " " " " Connection
200363C	18332	" " " " " Set Screw
200293C	18330	" " " " " Hinge Screw
270094	18332	" " " " Rod
270048	18332	" " " " " Connection
200434C	18332	" " " " " Set Screw
270257	18332	" " " Rock Shaft with 200363C and 200434C
270302	18330	Needle Bar with 350445F
270303	18330	" " " Bushing (lower)
270261	18330	" " " " (upper)
200326C	18330	" " " " " Set Screw
270262	18330	" " " Connecting Link
270263	18330	" " " " " 270262 with 270266
270264	18330	Needle Bar Connecting Link Guide Block
200054E	18330	" " " " " " " Screw (2)
270265	18330	Needle Bar Connecting Link Hinge Stud with 210983
200374C	18326	Needle Bar Connecting Link Hinge Stud Set Screw
270266	18330	Needle Bar Connecting Link Needle Bearing
270305	18330	" " " " " Thrust Washer

No.	Plate	Name
270057	18330	Needle Bar Connecting Stud with 200086C and 202330
202330	18330	Needle Bar Connecting Stud Oil Packing (wick)
200086C	18330	Needle Bar Connecting Stud Pinch Screw
*270306	-----	" " Crank with two 200374C
200333C	18326	" " " Position Screw
200362C	18326	" " " " " Check Screw
270058	18330	" " Oiling Felt
350445F	18330	" Set Screw
270269	18330	Presser Bar with 176J
270270	18330	" " Bushing
270061	18330	" " Lifter
350442C	18330	" " " Hinge Screw
270062	18330	" " Lifting Releasing Lever Bracket
270095	18330	Presser Bar Lifting Releasing Lever Bracket Spring
270063	18330	Presser Bar Position Guide with 200196E and 350411C
350411C	18330	Presser Bar Position Guide Pinch Screw
270271	18332	" " Spring
350435C	18332	Presser Bar Spring Screw (pressure regulating)
270065	18332	Presser Bar Spring Stud
62527	18309	" Foot Hinge Pin
24544	18309	" " Plate
24982	18309	" " Shank
26231	18309	" " Spring
24983	18309	Presser Foot (spring hinged) complete, Nos. 24544, 24982, 26231 and 62527
176J	18330	Presser Foot Screw
270304	18331	Rotary Take-up (large)
210983	18330	" " " Position Pin
401D	18331	" " " Screw (2)
270067	18327	" " (small) with 350418C
270273	18327	" " " Driving Shaft
270032	18327	" " " " " Ball Bearing (2)
270069	18327	Rotary Take-up (small) Driving Shaft Connection Belt
270070	18326	Rotary Take-up (small) Driving Shaft Driving Pulley with two each 200363C and 270071
200363C	18326	Rotary Take-up (small) Driving Shaft Driving Pulley Set Screw
270071	18326	Rotary Take-up (small) Driving Shaft Driving Pulley Spring Flange
270072	18327	Rotary Take-up (small) Driving Shaft Pulley with two 200382C
200382C	18327	Rotary Take-up (small) Driving Shaft Pulley Set Screw

No.	Plate	Name
270274	18327	Rotary Take-up (small) Hub Cover
350418C	18327	" " " Set Screw
270074	18327	" " " Thread Shearing Block
201253F	18327	Rotary Take-up (small) Thread Shearing Block Screw
270283	18331	Rotary Take-up Guard
200583H	18331	" " " Screw (2)
270116	18328	Rotating Hook with two 1253C
270117	18328	" " 270116 with 270083 and four 1053E
270118	18328	Rotating Hook 270117 with 40274, 127242 and three 1367E
270119	18328	Rotating Hook 270118 with 52237
270010	18328	" " Bobbin
52235	18328	" " " Case
52236	18328	" " " " 52235 with 591F, 1380E and 40394
40393	18328	Rotating Hook Bobbin Case Hinge, Nos. 2974, 40392 and 125320
127242	18328	Rotating Hook Bobbin Case Holder
52018	18328	" " " " " Position Bracket
200077D	18328	Rotating Hook Bobbin Case Holder Position Bracket Screw
40392	18328	Rotating Hook Bobbin Case Latch
125320	18328	" " " " " Lever
2974	18328	" " " " " Fulcrum Pin
2975	18328	Rotating Hook Bobbin Case Latch Spring
592E	18328	" " " " " Stop Screw
40394	18328	" " " " " Tension Spring
591F	18328	" " " " " " " "
1380E	18328	Regulating Screw
52237	18328	Rotating Hook Bobbin Case Tension Spring Screw
127241	18328	Rotating Hook Bobbin Case complete, Nos. 592E, 2975, 40393 and 52236
270276	18329	Rotating Hook Bobbin Case 52237 with 127242
270032	18329	Rotating Hook Driving Shaft
270033	18329	" " " " " Ball Bearing
222598	18329	" " " " " Bushing with 222598
200362C	18329	Rotating Hook Driving Shaft Bushing Oil Packing (wick)
270034	18329	Rotating Hook Driving Shaft Bushing Set Screw
270034	18329	Rotating Hook Driving Shaft Connection Belt Pulley with 202253 and two 200070C

No.	Plate	Name
200070C	18329	Rotating Hook Driving Shaft Connection Belt Pulley Set Screw
202253	18329	Rotating Hook Driving Shaft Connection Belt Pulley Spring Flange
270035	18329	Rotating Hook Driving Shaft Gear (internal teeth) with 200382C and 201220C
201220C	18329	Rotating Hook Driving Shaft Gear Position Screw
200382C	18329	Rotating Hook Driving Shaft Gear Set Screw
270036	18329	" " " " Oil Lead Wire
270037	18329	" " Oil Feeder
201215D	18329	Rotating Hook Oil Feeder Screw (2)
270038	18332	" " " Reservoir Cover
270039	13332	" " " " Gasket
200041X	18332	" " " " Screw (6)
270082	18329	" " " " Oil Gauge
40274	18328	" " Section
1367E	18328	" " " Screw
1253C	18328	" " Set Screw
270040	18329	" " Shaft
270041	18329	" " " Bushing
270042	18329	" " " " 270041 with two 270043
350277C	18329	Rotating Hook Shaft Bushing Set Screw
270043	18329	" " " Needle Bearing
224390	18329	" " " Oil Packing (wick)
270044	18329	" " " Thrust Washer
270083	18328	" " Thread Guard
1053E	18328	" " " Screw
2102	18331	Tension Disc
270277	18330	" Releaser (adjustable)
200132E	18330	" " Screw
32572	18331	" Releasing Disc
270278	18331	" " Pin
13710	18331	" Spring
350457C	18331	" Stud
200377C	18331	" " Set Screw
1560C	18331	" Thumb Nut
270279	18331	Tension complete, Nos. 1560C, 13710, 32572, 52082, 270278, 270281, 350457C and two 2102
270096	18331	Thread Guide
210954	18331	" " (lower)
270077	18330	" " (on needle bar bushing)
200580H	18331	" " Screw
270280	18330	" Pull-off
200196E	18330	" " Set Screw
270080	18331	" Retainer
200355H	18331	" " Set Screw
270125	18331	" Shearing Finger
200056D	18331	" " " Screw

No.	Plate	Name
270115	18331	Thread Shearing Finger Screw Washer
52082	18331	" " Take-up Spring
270281	18331	" " " Regulator with 200377C
446C	18331	Thread Take-up Spring Regulator Set Screw
143272XC	18309	Throat Plate (medium needle hole)
52032XC	18309	" " (large needle hole)
52033XC	18309	" " (small needle hole)
691F	18309	" " Screw (2)

Genuine Singer Needles should be used  
in Singer Machines.  
These Needles and their Containers  
are marked with the  
Company's Trade Mark "SIMANCO." 1

Needles in Containers marked  
"For Singer Machines"  
are not Singer made needles. 2

## MACHINE No. 400w102

DOUBLE ROTARY DISC TAKE-UP.

HIGH SPEED.

SINGLE NEEDLE. LOCK STITCH. DROP FEED.

LONG ARM.

NEEDLE BAR STROKE  $1\frac{13}{64}$  INCHES. PRESSER BAR LIFT  $\frac{5}{16}$  INCH.  
FOR STITCHING MEDIUM AND MEDIUM-HEAVY FABRICS.

Same as Machine No.400w101 with the following  
exceptions:

No.	Plate	Name
270316	18334	Arm Shaft 270252 with 200333C,200362C and 270320, in place of 270301
127087	18319	Feed Dog,19 teeth (16 teeth to the inch) in place of 52031
270111	18335	Feed Driving Eccentric Adjusting Disc Spring Collar with 201220C, in place of 270019
270317	18336	Needle Bar
270318	18336	" " 270317 with 51229D,127245 and 127246, in place of 270302
270260	18336	Needle Bar Bushing (lower), in place of 270303
*270320	-----	Needle Bar Crank with two 200374C, in place of 270306
127245	18336	Needle Bar Thread Guard
51229D	18336	" " " " Screw
127246	18336	" Clamp with 140119F
140119F	18336	" " Screw
7298	18319	Presser Foot Hinge Pin, in place of 62527
19334	18319	" " Plate, in place of 24544
19335	18319	" " Shank, in place of 24982
19336	18319	Presser Foot (hinged) complete, Nos.7298, 19334 and 19335 in place of 24983
270321	18337	Rotary Take-up (large), in place of 270304
2103	18337	Tension Spring, in place of 13710
270284	18337	Tension complete, Nos.1560C, 2103, 32572, 52394, 270278, 270281, 350457C and two 2102, in place of 270279
52394	18337	Thread Take-up Spring, in place of 52082
127106XC	18319	Throat Plate (large needle hole), in place of 143272XC

## MACHINE No. 400w103

DOUBLE ROTARY DISC TAKE-UP.

HIGH SPEED.

SINGLE NEEDLE. LOCK STITCH. DROP FEED.

LONG ARM.

NEEDLE BAR STROKE  $1\frac{7}{16}$  INCHES. PRESSER BAR LIFT  $\frac{3}{8}$  INCH.  
FOR STITCHING HEAVY AND EXTRA-HEAVY FABRICS.

Same as Machine No.400w101 with the following  
exceptions:

No.	Plate	Name
270253	18338	Arm Shaft 270252 with 200333C,200362C and 270268, in place of 270301
127229	18341	Feed Dog,17 teeth (14 teeth to the inch) in place of 52031
270111	18335	Feed Driving Eccentric Adjusting Disc Spring Collar with 201220C, in place of 270019
270258	18339	Needle Bar
270259	18339	" " 270258 with 51229D,127245 and 127246, in place of 270302
270260	18339	Needle Bar Bushing (lower), in place of 270303
270267	18339	Needle Bar Connecting Link Thrust Washer in place of 270305
*270268	-----	Needle Bar Crank with two 200374C, in place of 270306
127245	18339	Needle Bar Thread Guard
51229D	18339	" " " " Screw
127246	18339	" Clamp with 140119F
140119F	18339	" " Screw
270282	18339	Presser Bar Lifter, in place of 270061
127233	18341	" Foot Plate, in place of 24544
52390	18341	" " Shank, in place of 24982
127234	18341	Presser Foot (spring hinged) complete, Nos.26231, 52390, 62527 and 127233, in place of 24983
270272	18340	Rotary Take-up (large), in place of 270304
2103	18340	Tension Spring, in place of 13710
270284	18340	Tension complete, Nos.1560C, 2103, 32572, 52394, 270278, 270281, 350457C and two 2102, in place of 270279
52394	18340	Thread Take-up Spring, in place of 52082
127236XC	18341	Throat Plate, in place of 143272XC

## ACCESSORIES

No.	Plate	Name
50190W	18332	Attachment Thumb Screw
26485	18310	Screw Driver (small)
270010	18328	Rotating Hook Bobbin (2)
228393	18333	Drip Pan with four 3/4 in. wire nails
88 X 1	18330	Needles six, size 16
12361	18310	Machine Hinge Connection (2)
41400	18310	" Rest Pin (wood)
120342	18310	Oiler (copper plated) with 120343
120343	18310	" Spout (3 1/2 in. long)
259477	18310	Screw Driver, (5 in. long.) (moulded handle)
25878	18310	Guide

## BOBBIN WINDER

(SWINGING AUTOMATIC, RIGHT HAND)

259428	18312	Brake (leather)
259429	18312	" Clamp
200113F	18312	" " Screw
225453	18312	Frame with 202277 and 225458
225454	18312	" Hinge Pin
202277	18312	" Oil Packing (wick)
225438	18312	" " Well Cap
225455	18312	" Spring
225456	18312	" " Plunger
225368	18312	Pulley with 200380C
200380C	18312	" Set Screw
225381	18312	Splindle
225444	18312	Stop Latch
200056E	18312	" " Screw
225458	18312	" " Thumb Lever
225459	18312	" " " " Hinge Stud
225459	18312	" " " " Joint Stud
202478	18312	" " Trip Lever
200299H	18312	" " " " Hinge Screw
225461	18312	Tension Bracket with 201499B
200082D	18312	" " " Screw
228026	18312	" " " Washer
2102	18312	" Disc
13710	18312	" Spring
201499B	18312	" Stud

No.	Plate	Name
201572B	18312	Tension Stud Thumb Nut
225462	18312	Bobbin Winder Tension Bracket complete Nos. 13710, 201572B, 225461 and two 2102
259430	18312	Bobbin Winder and Tension Bracket Base
259431	18312	Universal Bobbin Winder complete, Nos. 200056E, 200082D, 200113F, 200299H, 202478, 225368, 225381, 225444, 225453 to 225456, 225458, 225462, 228026, 259428 to 259430, two each 225459 and wood screws 3/4 in. No. 12, R. H. B.

## KNEE LIFTER

228359	18333	Rock Lever with two 350231C
228360	18333	" " Bracket with 200347C and three wood screws 7/8 in., No. 12
228361	18333	Rock Lever Bracket 228360 with 228359, 228363, 228367 and 228386
228370	18333	Rock Lever Extension with 200529C
350231C	18333	" " " Set Screw
228363	18333	" " Hinge Pin
228364	18333	" " Knee Plate with 350231C
228388	18333	" " " " Arm
350231C	18333	" " " " Set Screw
350231C	18333	" " " " Set Screw
228365	18333	" " Rod
200529C	18333	" " " Set Screw
228386	18333	" " Spring
228367	18333	" " Stop Stud
200347C	18333	" " " " Set Screw
228371	18333	Knee Lifter Rock Lever complete, Nos. 228361 228364, 228365, 228370 and 228388

(Other Knee Lifter parts are listed with parts of machine head)

## FOR MACHINES Nos. 400 w 102 and 400 w 103

Same as for Machine No. 400w101 with the following Exception		
135 X 5	18336	Needles, three each, sizes 19 and 21 in place of 88 X 1, six, size 16

## BINDERS

### BINDER (English)

FOR GAUGES UP TO  $\frac{1}{16}$  INCH

No.	Plate	Name
121444	23226	Feed Dog, 13 teeth (16 teeth to the inch)
25721	23226	Folder
207F	23226	" Screw
7071	23226	" " Washer
25983	23226	Presser Foot
25722	23226	Ribbon Tension
190D	23226	" " Screw
7071	23226	" " Washer
121445XC	23226	Throat Plate
26250	23226	Binder complete, Nos. 190D, 207F, 25721, 25722, 25983, 121444, 121445 and two 7071

### BINDER (English)

FOR HEAVY WORK

12370	18320	Feed Dog, 15 teeth (16 teeth to the inch)
28334	18320	Folder
193D	18320	" Screw
7071	18320	" " Washer
28676	18320	Presser Foot
28337	18320	Ribbon Tension
233J	18320	" " Screw
28775XC	18320	Throat Plate
28776	18320	Binder complete, Nos. 193D, 7071, 12370, 28334, 28337, 28676, 28775 and two 233J

### BINDER ON SHANK

35208	23228	Binder on Shank to turn in both edges, for bias or straight binding, for skirts, wrappers, shirt waists, etc.
28603	23228	Feed Dog, 20 teeth (16 teeth to the inch) for 26605 and 26606
52055	23228	Presser Foot
26605XC	23228	Throat Plate (large needle hole), for 26603
26606XC	-----	Throat Plate (small needle hole), for 26603

## BINDER (Transverse) ON SHANK FOR FOLDED OR UNFOLDED BIAS BINDING

(WITH TAPE REEL)

FOR GENERAL WORK

FOR  $\frac{3}{4}$  INCH,  $\frac{7}{8}$  INCH AND 1 INCH TAPE

No.	Plate	Name
121167	22919	Binder Folder on Shank
43525	22919	" Steady Pin
51097J	22919	" Thumb Screw
3146	22919	" " " Washer
121397	22919	Feed Dog, 18 teeth (16 teeth to the inch)
121169	22919	Presser Foot
121412	22919	Tape Reel Arm with 8879, 23263 and 120537
23263	22919	" " " Steady Pin
51097J	22919	" " " Thumb Screw
120536	22919	" " Disc with 120538 and 120539
120537	22919	" " " Pin
8879	22919	" " " Washer
120538	22919	" " " Stud (wood)
120539	22919	" " " Sleeve (brass)
121398XC	22919	Throat Plate with 43525
121168	22919	Binder (transverse) on Shank complete, Nos. 3146, 120536, 121167, 121169, 121397, 121398, 121412 and two 51097J

### BINDER (Transverse) ON SHANK

FOR FOLDED OR UNFOLDED BIAS BINDING

(WITH TAPE REEL)

FOR GENERAL WORK

FOR  $\frac{3}{4}$  INCH,  $\frac{7}{8}$  INCH AND 1 INCH TAPE

121732	23229	Binder (transverse)
121735	23229	" Releasing Lever
724F	23229	" " " Hinge Screw
121736	23229	" " " Spring
182349	23229	" " " " Position Stud
1443J	23229	" Screw
121733	23229	" Throw-out Arm with 192349
121734	23229	" " " Bracket Rivet
940F	23229	" " " Hinge Screw
35610	23229	" Washer
121738	23229	Feed Dog, 17 teeth (16 teeth to the inch)
121169	23229	Presser Foot
120536	23229	Tape Reel Disc with 120538 and 120539
120538	23229	" " " Stud (wood)
120539	23229	" " " Sleeve (brass)
120740	23229	" " Pin
121739XC	23229	Throat Plate with two 121734
121737	23229	Binder (transverse) with Throw-out Arm complete, Nos. 724F, 940F, 35610, 120536, 120740, 121169, 121732, 121733, 121735, 121736, 121738, 121739 and two 1443J

**BOBBIN WINDER**  
(SWINGING AUTOMATIC, RIGHT HAND)  
FOR "V" BELT DRIVE

No.	Plate	Name
259428	18312	Brake (leather)
259429	18312	" Clamp
200113F	18312	" " Screw
225453	18312	Frame with 202277 and 225438
225454	18312	" Hinge Pin
202277	18312	" Oil Packing (wick)
225438	18312	" " Well Cap
225455	18312	" Spring
225456	18312	" " Plunger
259461	18312	Pulley with 200380C
200380C	18312	" Set Screw
225381	18312	Spindle
225444	18312	Stop Latch
200056E	18312	" " Screw
225458	18312	" " Thumb Lever
225459	18312	" " " " Hinge Stud
225459	18312	" " " " Joint Stud
202478	18312	" " Trip Lever
200299H	18312	" " " " Hinge Screw
225461	18312	Tension Bracket with 201499B
200082D	18312	" " Screw
228026	18312	" " Washer
2102	18312	" Disc
13710	18312	" Spring
201499B	18312	" Stud
201572B	18312	" " Thumb Nut
225462	18312	Bobbin Winder Tension Bracket complete, Nos. 13710, 201572B, 225461 and two 2102
259430	18312	Bobbin Winder and Tension Bracket Base
259462	18312	Universal Bobbin Winder complete, Nos. 200056E, 200082D, 200113F, 200299H, 202478, 225381, 225444, 225453, to 225456, 225458, 225462, 228026, 259428 to 259430, 259461, two each 225459 and wood screws 3/4 in. No. 12, R. H. B.

**CORDER (Adjustable)**

FOR SHORT TURNS ON CUSHIONS  
WHEN ORDERING STATE SIZE OR NUMBER OF  
CORDS TO THE INCH

No.	Plate	Name
26795	23228	Cord Guide
26796	23228	" " Arm
1044D	23228	" " " Hinge Screw
120206	23228	" " Bed with 457C
457C	23228	" " " Leveling Screw
190D	23228	" " Screw
120207	23228	Corder complete, Nos. 190D, 1044D, 26795, 26796 and 120206
121446	23228	Feed Dog, spiked teeth, 13 teeth (10 teeth to the inch), for 121447
120208	23228	Presser Foot (grooved)
121447XC	23228	Throat Plate, for 121446

**FINGER GUARDS**

259502	18320	Finger Guard
259082	18320	" "
259083	18320	" " Bracket
201152E	18320	" " Screw
259084	18320	Finger Guard complete, Nos. 201152E, 259082 and 259083

**FITTINGS**

FOR BUTTON STAYS

26603	18315	Feed Dog, 20 teeth (16 teeth to the inch) for 26605 and 26606
121653	18315	Hemmer on Shank, for 9/16 in. hem
7298	18315	Presser Foot Hinge Pin
120143	18315	" " Plate
19335	18315	" " Shank
120144	18315	Presser Foot (hinged) complete, Nos. 7298, 19335 and 120143
26605XC	18315	Throat Plate (large needle hole), for 26603
26606XC	-----	Throat Plate (small needle hole), for 26603



FOR COLLAR WORK  
(FIRST STITCHING)

No.	Plate	Name
20164	23219	Feed Dog, 16 teeth (16 teeth to the inch) for 1/8 in. stitch
52189	23219	Presser Foot (solid)
52190XC	23219	Throat Plate, for 20164

FOR COLLAR WORK  
(SECOND STITCHING)

121646	23219	Feed Dog, 12 teeth (16 teeth to the inch) for 121649
121647	23219	Presser Foot with 121648 and two 337J, for 3/16 in., 7/32 in., 1/4 in., 9/32 in. and 5/16 in gauges
121648	23219	Presser Foot Edge Guide, for 3/16 in., 7/32 in., 1/4 in., 9/32 in. and 5/16 in. gauges
337J	23219	Presser Foot Edge Guide Screw
121649XC	23219	Throat Plate, for 121646

FOR COLLAR AND CUFF WORK

20163	23219	Feed Dog, 16 teeth (16 teeth to the inch) for 1/16 in. stitch
20164	23219	Feed Dog, 16 teeth (16 teeth to the inch) for 1/8 in. stitch
52188	23219	Presser Foot (solid), for cuff work
52189	23219	" " " " Collar work
20123XC	23219	Throat Plate, for 20163 and 20164

FOR CUFF WORK

20164	23220	Feed Dog, 16 teeth (16 teeth to the inch) for 1/8 in. stitch, for 52190
52188	23220	Presser Foot (solid)
52190XC	23220	Throat Plate, for 20164

FOR CURTAIN WORK

No.	Plate	Name
143165	23220	Feed Dog, 18 teeth (14 teeth to the inch)
26276	23220	Presser Foot Hinge Pin
143166	23220	" " Plate
143167	23220	" " Shank
52544	23220	" " Spring
143168	23220	Presser Foot (spring hinged) complete, Nos. 26276, 52544, 143166 and 143167
143169XC	23220	Throat Plate (large needle hole)

FOR GENERAL WORK

143174	23220	Feed Dog, 17 teeth (14 teeth to the inch) for 143175
143175XC	23220	Throat Plate (large needle hole), for 143174
52031	23221	Feed Dog, 19 teeth (22 teeth to the inch) for 52032 and 52033
62527	23221	Presser Foot Hinge Pin
24544	23221	" " Plate
24982	23221	" " Shank
26231	23221	" " Spring
24983	23221	Presser Foot (spring hinged) complete, Nos. 24544, 24982, 26231 and 62527
52032XC	-----	Throat Plate (large needle hole), for 52031
52033XC	23221	Throat Plate (small needle hole), for 52031
127229	23221	Feed Dog, 17 teeth (14 teeth to the inch) for 127238
62527	23221	Presser Foot Hinge Pin
127233	23221	" " Plate
52390	23221	" " Shank
26231	23221	" " Spring
127234	23221	Presser Foot (spring hinged) complete, Nos. 26231, 52390, 62527 and 127233
131256	23221	Presser Foot Hinge Pin
127257	23221	" " Plate
127258	23221	" " Shank
127259	23221	" " Thread Cutter
239E	23221	" " " " Screw
127260	23221	Presser Foot (hinged) complete, with Thread Cutter, Nos. 239E, 127257 to 127259 and 131256
127238XC	23221	Throat Plate, for 127229

## FITTINGS

No.	Plate	Name
127087	23221	Feed Dog, 19 teeth (16 teeth to the inch) for 127106 and 127107
127106XC	23221	Throat Plate (large needle hole), for 127087
127107XC	-----	Throat Plate (small needle hole), for 127087
121446	23222	Feed Dog, spiked teeth, 13 teeth (10 teeth to the inch), for 20356 and 20357
20356XC	23222	Throat Plate (large needle hole), for 121446
20117	18345	Feed Dog, for shirt work beveled for hemmer 16 teeth (16 teeth to the inch)
20124XC	18345	Throat Plate, (large needle hole) for 20117
20357XC	-----	Throat Plate (small needle hole), for 121446
44158	23222	Feed Dog, 15 teeth (14 teeth to the inch) for 44162
26276	23222	Presser Foot Hinge Pin
44159	23222	" " Plate
44160	23222	" " Shank
44161	23222	Presser Foot (hinged) complete, Nos. 26276 44159 and 44160
44162XC	23222	Throat Plate, for 44158
270127	18345	" " (large needle hole), for 127087
270128	18345	Throat Plate (large needle hole), for 121446
270129	18345	Throat Plate (large needle hole), for 44252 and 44253
270130	18345	Throat Plate (large needle hole), for 26603

## FOR SHIRT WORK

143170	23222	Feed Dog, 16 teeth (16 teeth to the inch) for 143171
143171XC	23222	Throat Plate (large needle hole), for 143170
20159	18316	Feed Dog, 16 teeth (16 teeth to the inch) for 20160
143172	18316	Feed Dog, 18 teeth (18 teeth to the inch) for 20160
143173	18316	Feed Dog, 20 teeth (20 teeth to the inch) for 20160
20160XC	18316	Throat Plate, for 20159, 143172 and 143173
26603	23224	Feed Dog, 20 teeth (16 teeth to the inch) for 26605 and 26606
7298	23224	Presser Foot Hinge Pin
19334	23224	" " Plate
19335	23224	" " Shank

## FITTINGS

No.	Plate	Name
19336	23224	Presser Foot (hinged) complete, Nos. 7298, 19334 and 19335
26605XC	23224	Throat Plate (large needle hole), for 26603
26606XC	-----	Throat Plate (small needle hole), for 26603

## FOR SHOULDER JOININGS

26603	23224	Feed Dog, 20 teeth (16 teeth to the inch) for 26605 and 26606
121662	23224	Joining Attachment
121663	23224	Presser Foot
26605XC	23224	Throat Plate (large needle hole), for 26603
26606XC	-----	Throat Plate (small needle hole), for 26603

## FOR SLEEVE PLACKETS (Facing)

121655	23225	Binder on Shank
26603	23225	Feed Dog, 20 teeth (16 teeth to the inch) for 26605 and 26606
121656	23225	Presser Foot
26605XC	23225	Throat Plate (large needle hole), for 26603
26606XC	-----	Throat Plate (small needle hole), for 26603

## FOR TAILOR WORK

44252	23224	Feed Dog, 12 teeth (12 teeth to the inch) for 44255 and 44256
44253	23224	Feed Dog, 16 teeth (16 teeth to the inch) for 44255 and 44256
36574	23224	Presser Foot
36575	23224	" " 36574 with 36576 and two 50202J
36576	23224	Presser Foot Finger Guard
50202J	23224	" " " " Screw
44256XC	23224	Throat Plate (large needle hole), for 44252 and 44253
44256YC	-----	Throat Plate (small needle hole), for 44252 and 44253
44136	23225	Feed Dog, 15 teeth (16 teeth to the inch) for 44137

## FITTINGS

No.	Plate	Name
12142	23225	Presser Foot
20458	23225	" "
44137XC	23225	Throat Plate, for 44136
52462	23226	Feed Dog, 19 teeth (22 teeth to the inch) for 52463
52463XC	23226	Throat Plate, for 52462

## FOR YOKING

121658	23226	Edge Folder with Edge Guide on Shank
26603	23226	Feed Dog, 20 teeth (16 teeth to the inch) for 26605 and 26606
7298	23226	Presser Foot Hinge Pin
121659	23226	" " Plate
19223	23226	" " Shank
121660	23226	Presser Foot (hinged) complete, Nos. 7298, 19223 and 121659
26605XC	23226	Throat Plate (large needle hole), for 26603
26606XC	-----	Throat Plate (small needle hole), for 26603

## GUIDE

26682	18344	Guide (combinations)
-------	-------	----------------------

## HEMMERS

## HEMMERS (Foot)

225423	18316	Hemmer (foot), for 5/64 in. hem
120938	23230	" " " 3/32 in. hem
225421	18316	" " " 3/32 in. hem
225424	18316	" " " 1/8 in. hem
120803	23230	" " " 1/8 in. hem
270120	18344	" " " 1/8 in. hem
225425	18316	" " " 9/64 in. hem
120804	23230	" " " 5/32 in. hem
225422	18316	" " " 5/32 in. hem
120805	23230	" " " 3/16 in. hem
225426	18316	" " " 3/16 in. hem
36122	23230	" " " 7/32 in. hem

## HEMMERS

No.	Plate	Name
225427	18316	Hemmer (foot), for 7/32 in. hem
120806	23230	" " " 1/4 in. hem
225428	18316	" " " 1/4 in. hem
120807	23230	" " " 5/16 in. hem
121761	23230	" " " 1/8 in. hem, for hemming shirts
121762	23230	Hemmer (foot), for 5/32 in. hem
121760	23230	" " " 1/8 in. hem, for hemming shirts
121758	23230	Feed Dog, 13 teeth (16 teeth to the inch), for 121759
270121	18344	Feed Dog, for 270122
121759XC	23230	Throat Plate (large needle hole), for 121758
270122	18344	Throat Plate (small needle hole) for 270121
35710	23230	Hemmer (foot), for 3/32 in. hem, with guide on bottom to the right of needle hole
35682	23230	Hemmer (foot), for 1/8 in. hem, with guide on bottom to the right of needle hole
36524	23230	Hemmer (foot), for 5/32 in. hem, with guide on bottom to the right of needle hole
35997	23230	Hemmer (foot), for 3/16 in. hem, with guide on bottom to the right of needle hole
36309	23230	Hemmer (foot), for 7/32 in. hem, with guide on bottom to the right of needle hole
36072	23230	Hemmer (foot), for 1/4 in. hem, with guide on bottom to the right of needle hole
120898	23230	Hemmer (foot), for 1/16 in. to 1/8 in. hem, for China Silk, etc.
120911	23230	Hemmer (foot), for 5/32 in. to 1/4 in. hem, for China Silk, etc.
36413	23230	Hemmer (foot), plain bottom, for 1/16 in. hem
36414	23230	Hemmer (foot), plain bottom, for 3/32 in. hem
36480	23230	Hemmer (foot), plain bottom, for 5/32 in. hem
36416	23230	Hemmer (foot), plain bottom, for 3/16 in. hem
120837	23230	Hemmer (foot), plain bottom, for 1/8 in. hem, slotted, for lace

## HEMMERS ON SHANK

No.	Plate	Name
20163	23231	Feed Dog, 16 teeth (16 teeth to the inch) for 1/16 in. stitch, for 20123
35926	23231	Hemmer
590J	23231	" Adjusting Screw
1443B	23231	" Screw
35927	23231	" Shank
35540	23231	Hemmer on Shank complete, with right hand lower guide, for lace, Nos. 1443B, 35926 35927 and two 590J
62527	23231	Presser Foot Hinge Pin
40316	23231	" " Plate
40317	23231	" " Shank
40318	23231	Presser Foot (hinged) complete, for lace running, Nos. 40316, 40317 and 62527
20123XC	23231	Throat Plate, for 20163
26603	23231	Feed Dog, 20 teeth (16 teeth to the inch) for 26605 and 26606
35236	23231	Hemmer on Shank, for 7/16 in. hem
52055	23231	Presser Foot
26605XC	23231	Throat Plate (large needle hole), for 26603
26606XC	-----	Throat Plate (small needle hole), for 26603
26603	23232	Feed Dog, 20 teeth (16 teeth to the inch) for 26605 and 26606
28627	23232	Hemmer on Shank, for 1/8 in. to 5/8 in. gauges
28628	23232	Presser Foot, for 3/8 in. to 5/8 in. gauges
26605XC	23232	Throat Plate (large needle hole), for 26603
26606XC	-----	Throat Plate (small needle hole), for 26603
120991	23232	Hemmer on Shank, for 1/16 in. to 1/4 in. gauges
120367	23232	Hemmer on Shank, for handkerchief work

## FOR HEMMING PILLOW CASES

26603	23233	Feed Dog, 20 teeth (16 teeth to the inch), for 26605 and 26606
121667	23233	Hemmer Scroll (lower) Spring
36696	23233	" " " " Lock Pin

No.	Plate	Name
337B	23233	Hemmer Scroll (lower) Spring Position Screw
121663	23233	Hemmer on Shank with 337B, 36696 and 121667, for 7/8 in. to 2 in. hem
121667	23233	Hemmer Scroll (lower) Spring
36696	23233	" " " " Lock Pin
337B	23233	" " " " Position Screw
121661	23233	Hemmer on Shank with 337B, 36696 and 121667, for 2-1/16 in. to 4 in. hem
35013	23233	Presser Foot
26605XC	23233	Throat Plate (large needle hole), for 26603
26606XC	-----	Throat Plate (small needle hole), for 26603

## MISCELLANEOUS PARTS

225404	18316	Bobbin Holder
143185	18347	Feed Bar Body with two 51220AL
51220AL	18347	" " " Adjusting Screw
704C	18347	" " " Screw
143186	18347	" " Shank
143187	18347	" " (tilting adjustable) complete, Nos. 704C, 143185 and 143186
228204	18347	Spool Pin

PARTS USED IN CONJUNCTION WITH  
THREAD UNWINDER

60913	17900	Spool Weight with 60914
60914	17900	" " Center Pin
225707	17900	" Wire, for small spools
27709	17900	Thread Cone (wood)
225700	17900	" " Holder

## PIPING ATTACHMENT

No.	Plate	Name
44253	18315	Feed Dog, 16 teeth (16 teeth to the inch), for 44255 and 44256
120977	18315	Piping Attachment
1443J	18315	" " Screw
35245	18315	Piping Attachment complete, for piping house dresses, Nos. 1443J and 120977
52056	18315	Presser Foot
44256XC	18315	Throat Plate (large needle hole) for 44253
44255XC	-----	Throat Plate (small needle hole) for 44253

## PRESSER FEET

36464	23236	Presser Foot Spring Guide
665J	23236	" " " " Screw
36465	23236	Presser Foot (right hand spring guide) with 665J and 36464, for 1/32 in. to 5/16 in. gauges
Note: When ordering No. 36464 or No. 36465, state required distance from edge of goods to seam.		
12335	23236	Presser Foot (narrow)
12435	23236	" " with 228J (with needle hole on right hand side)
228J	23236	Presser Foot Extension Screw
36714	23236	" " with 233D
36715	23236	" " Guide (right) with 36716
233D	23236	" " Set Screw
36716	23236	" " Stud
36717	23236	Presser Foot complete, with Adjustable Guide (right) Nos. 36714 and 36715
36773	23236	Presser Foot, for braiding
35528	23236	" " (wide)
120828	23236	" " (single toe), for gathering, for fine work
121763	23236	Presser Foot with hemmer with Yielding Top Scroll
20343	23236	Presser Foot with guide on bottom to the right of needle hole
12462	23236	Presser Foot, for 1/8 in. to 1 in. gauges
12463	23236	" " with strip guide

No.	Plate	Name
36654	23236	Presser Foot, for tucking shirt bosoms
40315	23236	" " " long stitch for general work
40322	23236	Presser Foot (narrow)
26276	23236	" " Hinge Pin
20133	23236	" " Plate
19223	23236	" " Shank
20134	23236	Presser Foot (hinged) complete, for 3/16 in. to 1/4 in. gauges for collar and cuff work, Nos. 19223, 20133 and 26276
7298	23236	Presser Foot Hinge Pin
20360	23236	" " Plate
19335	23236	" " Shank
20361	23236	Presser Foot (hinged) plain bottom complete, Nos. 7298, 19335 and 20360

### WITH GRADUATED ADJUSTABLE GUIDES

35134	18320	Presser Foot with 36696
35002	18320	" " Extension
35003	18320	" " Graduated Adjustable Guide (long left)
35004	18320	Presser Foot Graduated Adjustable Guide (long right)
35005	18320	Presser Foot Graduated Adjustable Guide (short right)
35006	18320	Presser Foot Graduated Adjustable Guide (short right) flush
35135	18320	Presser Foot Graduated Adjustable Guide Clamp
35136	18320	Presser Foot Graduated Adjustable Guide Clamp Lever
337B	18320	Presser Foot Graduated Adjustable Guide Clamp Screw
36696	18320	Presser Foot Graduated Adjustable Guide Clamp Steady Pin
35137	18320	Presser Foot with Extension and Graduated Adjustable Guides complete, Nos. 337B, 35002 to 35006 and 35134 to 35136

## PRESSER FOOT EXTENSIONS

No.	Plate	Name
62527	23236	Presser Foot Hinge Pin
20155	23236	" " Plate
20156	23236	" " Shank
20157	23236	Presser Foot (hinged) complete, Nos. 228J 20155, 20156 and 62527
26279	23236	Presser Foot Extension 1/16 inch
26280	23236	" " " 1/8 inch
26281	23236	" " " 1/4 inch
26282	23236	" " " 3/8 inch
26283	23236	" " " 1/2 inch
228J	23236	" " " Screw

## PULLER FEED

259463	18342	Balance Wheel, belt grooves 2-1/8 and 1 in. diam., with 201346C and 350107C
259464	18342	Balance Wheel 259463 with 270004
259465	18342	" " belt grooves 2.9 in. outside diam., for 3/8 in. V belt and 1 in. bottom diam., for round belt, with 201346C and 350107C
259466	18342	Balance Wheel 259465 with 270004
350107C	18342	" " Position Screw
201346C	18342	" " Set Screw
259537	18342	Puller Feed Base with 200364C, 259061, two each 200902D and 205796
259074	18342	Puller Feed Base Block (wood)
200710	18342	" " Bolt
9842R	18342	" " Washer
225190	18342	" " Driving Belt, size 1/4 in. diam. length 39-1/2 in., with 25128
25128	18342	Puller Feed Driving Belt Hook
237751	18342	" " Gear with 200382C and 201220C
201220C	18342	Puller Feed Driving Gear Position Screw
200382C	18342	" " Set Screw
259057	18342	" " Pinion
200095B	18342	" " Cap Screw
259468	18342	" " Pulley (belt groove 4-1/4 in. diam.) with 200373C
200373C	18342	Puller Feed Driving Pulley Set Screw
259469	18342	" " Shaft

No.	Plate	Name
259470	18342	Puller Feed Driving Pulley Shaft Collar with 201188C
201188C	18342	Puller Feed Driving Pulley Shaft Collar Set Screw
200364C	18342	Puller Feed Driving Pulley Shaft Set Screw
259538	18342	Puller Feed Roll and Shaft (lower) with 200364C
259470	18342	Puller Feed Roll and Shaft (lower) Collar with 201188C
201188C	18342	Puller Feed Roll and Shaft (lower) Collar Set Screw
200364C	18342	Puller Feed Roll and Shaft (lower) Ex- tension Set Screw
259539	18342	Puller Feed Roll and Shaft (upper)
259061	-----	" " " " " " Bearing
200902D	18342	" " " " " " Screw
205796	18342	Puller Feed Roll and Shaft (upper) Bear- ing Spring
259063	18342	Puller Feed Roll and Shaft Gear with 200394C
200394C	18342	Puller Feed Roll and Shaft Gear Set Screw
259064	18342	" " Work Guide (wood)
259540	18342	Puller Feed Device complete, Nos. 200095B, 225190, 237751, 259057, 259064, 259074, 259464, 259468, 259469, 259537 to 259539 two each 9842R, 200710, 259063 and 259470

Note: Balance Wheel No. 259466, for machines with V belt drive will be furnished with this complete in place of balance wheel No. 259464 if so specified on order.

## QUILTER

270085	18320	Presser Bar Bushing (for use with Quilter 120485)
120479	18320	Quilter Guide (left)
120480	18320	" " (right)
120481	18320	" " Bracket
120482	18320	" " " 120481 with 120483 and two 209C
209C	18320	Quilter Guide Bracket Screw
120483	18320	" " Disengaging Sleeve
209C	18320	" " " " Set Screw
120484	18320	" " " " Spring
602D	18320	" " " " Screw

No.	Plate	Name
120485	18320	Quilter complete, Nos. 602D, 120479, 120480, 120482 and 120484

## RUFFLER

## FOR MACHINE No. 400 w 102

121116	18344	Driving Lever
51371K	18344	" " Adjusting Thumb Screw (lower)
560B	18344	Driving Lever Adjusting Thumb Screw (upper)
120812	18344	Driving Lever Bushing
120813	18344	" " Friction Washer
51219F	18344	" " Hinge Screw
1700J	18344	" " " " Nut
121117	18344	Frame
36637	18344	" Spring Plate
121696	18344	Needle Clamp with 140204F
140204F	18344	" " Screw
36638	18344	Ribbon Guide
240B	18344	" " Screw
121118	18344	Ruffling Blade
121119	18344	" " Holder
121120	18344	" " " 121119 with 121118 and two 120829
36641	18344	Ruffling Blade Holder Guide
36642	18344	" " " " Rivet
51221F	18344	" " " Hinge Screw
1772J	18344	" " " " Nut
121121	18344	" " Lever with 560B and 51371K
120829	18344	" " Rivet
36644	18344	Separating Blade
120830	18344	" " Holder
121501	18344	" " " 120830 with 36644 and two 120829
36646	18344	Separating Blade Holder Friction Spring
36647	18344	" " " Hinge Stud
36648	18344	" " " Stop Stud
120829	18344	" " Rivet
36644	18344	Shirring Blade
120818	18344	" " Holder
120819	18344	" " " 120818 with 36644 and two 120829
120829	18344	Shirring Blade Rivet
121123	18344	Ruffler complete, Nos. 240B, 1700J, 1772J, 36637, 36638, 36641, 36642, 36646 to 36648, 51219F, 51221F, 120812, 120813, 121116, 121117, 121120, 121121 and 121501

No.	Plate	Name
121697	18344	Ruffler 121123 with 120819 and 121696

## THREAD UNWINDER

## FOR TWO SPOOLS

215257	17900	Spool Rest (for two spools)(flat) with 201018C
140203	17900	Spool Rest Cushion (felt)
215388	17900	" " Rod
210383C	17900	" " " Set Screw
201018C	17900	" " Set Screw
202490	17900	" Stand with 200383C
215391	17900	Thread Guide
201696J	17900	" " Lock Nut
215326	17900	" " Position Cup
215324	17900	" " Rod with 208AL and 225322
208AL	17900	" " " Screw
215322	17900	" " " Washer
215258	17900	Thread Unwinder (for two spools) complete, Nos. 201696J, 202490, 225257, 225324, 225326, 225388, two each 150203, 225391, and three wood screws 7/8 in., No. 12

## TUCKER (Long Arm)

35528	18343	Presser Foot, (wide)
159541	18343	" " " " " 50 needle hole
159542	18343	" " " " " " 1/16 in. gauge to left of needle hole
159543	18343	Presser Foot, 50 needle hole, 3/32 in. gauge to left of needle hole
159544	18343	Presser Foot, 50 needle hole, 1/8 in. gauge to left of needle hole
159545	18343	Presser Foot, 50 needle hole, 5/32 in. gauge to left of needle hole.
36387	18343	Space Guide
159529	18343	" " Base with 35512, 35514, 200246B, 201525E, 225708 and two 1426E
200246B	18343	Space Guide Base Hinge Screw
201525E	18343	" " " " " Nut
225708	18343	" " " Spring
35511	18343	" " Indicator
35512	18343	" " Pin
35513	18343	" " Stop (left)
35514	18343	" " " " Guide Pin



## TUCKER (Long Arm)

No.	Plate	Name
1426E	18343	Space Guide Stop (left) Screw Stud
1657D	18343	" " " " Thumb Nut
17718	18343	" " " " " Washer
35515	18343	" " " (right)
1426E	18343	Space Guide Stop (right) Screw Stud
1657D	18343	" " " " Thumb Nut
17718	18343	" " " " " Washer
50053W	18343	" " Thumb Screw
259530	18343	Space Guide complete, Nos. 35511, 35513, 35515 36387, 50053W, 259529, two each 1657D and 17718
35517	18343	Tuck Guide Arm
1177D	18343	" " " Screw
35518	18343	" " Base
50134E	18343	" " " Screw Stud
36389	18343	" " Bracket
307C	18343	" " " Screw Center
56814	18343	" " " " " 307C with 1513J
1513J	18343	Tuck Guide Bracket Screw Center Nut
36390	18343	" " " Spring
36391	18343	" " " " Plate
9D	18343	" " " " Screw
423C	18343	" " " Stop Screw
1520J	18343	" " " " Nut
36392	18343	" " Frame
36393	18343	" " " Spring
1510E	18343	" " " " Nut
35524	18343	" " " Washer
803C	18343	" " " Stop Screw
1520J	18343	" " " " Nut
35511	18343	" " Indicator
35525	18343	" " Plate
1115F	18343	" " Screw
36394	18343	Tuck Guide complete, Nos. 9D, 423C, 803C, 1510E, 35511, 35517, 35518, 35524, 35525, 36389 to 36393, 50134E, two each 1115F, 1177D, 1520J, 56814 and three wood screws 1-1/4 in. No. 10
259532	18343	Tucker (long arm) complete, Nos. 35528, 36394 and 259530

## BED FRAME

No.	Plate	Name
		For use with tuck folder
228395	18346	Auxiliary Knee Lifter Rock Lever Rod with 227785
228396	18346	Auxiliary Knee Lifter Rock Lever Rod Bracket
*227785	-----	Auxiliary Knee Lifter Rock Lever Rod Cap
20067	18346	Bed Frame with two each 16555, 19398, four each 19219, 19220, six each 14010, wood screws 1-1/4 in. No. 12, and eight 158C
19219	18346	Bed Frame Cushion (leather)
158C	18346	" " " " Screw
19220	18346	" " " Spring
19226	18346	" " Hinge Connection
19398	18346	" " " " 19226 with 211E and 19397
19397	18346	Bed Frame Hinge Connection Cap
211E	18346	" " " " " Screw
16555	18346	" " " Plate
14010	18346	" " " " Rivet

Genuine Singer Needles should be used  
in Singer Machines.  
These Needles and their Containers  
are marked with the  
Company's Trade Mark "SIMANCO." 1

Needles in Containers marked  
"For Singer Machines"  
are not Singer made needles. 2

Genuine Singer Needles should be used  
in Singer Machines.  
These Needles and their Containers  
are marked with the  
Company's Trade Mark "SIMANCO." 1

Needles in Containers marked  
"For Singer Machines"  
are not Singer made needles. 2

NUMERICAL  
LIST  
OF PARTS

## NUMERICAL LIST OF PARTS

No.	Plate	Name
9D	18343	Tucker Tuck Guide Bracket Spring Screw, for 36394
158C	18346	Bed Frame Cushion (leather) Screw,for 20067
176J	18330	Presser Foot Screw,for 270269
190D	23226	Binder Ribbon Tension Screw,for 26250
190D	23228	Corder Cord Guide Screw,for 120207
193D	18320	Binder Folder Screw,for 28776
207F	23226	Binder Folder Screw,for 26250
208AL	17900	Thread Unwinder Thread Guide Rod Screw, for 225324
209C	18320	Quilter Guide Bracket Screw,for 120482
209C	18320	" " Disengaging Sleeve Set Screw for 120482
211E	18346	Bed Frame Hinge Connection Cap Screw,for 19398
228J	23236	Presser Foot Extension Screw,for 12435 and 20157
233J	18320	Binder Ribbon Tension Screw,for 28776
233D	23236	Presser Foot Guide Set Screw,for 36714
239E	23221	" " Thread Cutter Screw,for 127260
240B	18344	Ruffler Ribbon Guide Screw,for 121123
307C	18343	Tucker Tuck Guide Bracket Screw Center, for 56814
337B	23233	Hemmer Scroll (lower) Spring Position Screw,for 121668 and 121671
337B	18320	Presser Foot Graduated Adjustable Guide Clamp Screw,for 25137
337J	23219	Presser Foot Edge Guide Screw,for 121647
401D	18331	Rotary Take-up (large) Screw
423C	18343	Tucker Tuck Guide Bracket Stop Screw,for 36394
446C	18331	Thread Take-up Spring Regulator Set Screw
457D	23228	Corder Cord Guide Bed Leveling Screw,for 120206
560B	18344	Ruffler Driving Lever Adjusting Thumb Screw (upper),for 121121
590J	23231	Hemmer Adjusting Screw,for 35540
591F	18328	Rotating Hook Bobbin Case Tension Spring Regulating Screw,for 52236
592E	18328	Rotating Hook Bobbin Case Latch Stop Screw for 52237
602D	18320	Quilter Guide Disengaging Sleeve Spring Screw,for 120485
665J	23236	Presser Foot Spring Guide Screw,for 36465
691F	18309	Throat Plate Screw

## NUMERICAL LIST OF PARTS

No.	Plate	Name
704C	18347	Feed Bar Body Screw, for 143187
724F	23229	Binder Releasing Lever Hinge Screw, for 121737
803C	18343	Tucker Tuck Guide Frame Stop Screw, for 36394
940F	23229	Binder Throw-out Arm Hinge Screw, for 121737
1044D	23228	Corder Cord Guide Arm Hinge Screw, for 120207
1053E	18328	Rotating Hook Thread Guard Screw, for 270117
1115F	18343	Tucker Tuck Guide Screw, for 36394
1177D	18343	" " " Arm Screw, for 36394
1253C	18328	Rotating Hook Set Screw, for 270116
1367E	18328	" " Section Screw, for 270118
1380E	18328	" " Bobbin Case Tension Spring Screw, for 52236
1426E	18343	Tucker Space Guide Stop (left) Screw Stud for 259529
1426E	18343	Tucker Space Guide Stop (right) Screw Stud, for 259529
1443J	23229	Binder Screw, for 121737
1443B	23231	Hemmer Screw, for 35540
1443J	18315	Piping Attachment Screw, for 35245
1510E	18343	Tucker Tuck Guide Frame Spring Nut, for 36394
1513J	18343	Tucker Tuck Guide Bracket Screw Center Nut, for 56814
1520J	18343	Tucker Tuck Guide Bracket Stop Screw Nut for 36394
1520J	18343	Tucker Tuck Guide Frame Stop Screw Nut, for 36394
1560C	18331	Tension Thumb Nut, for 270279 and 270284
1657D	18343	Tucker Space Guide Stop (left) Thumb Nut, for 259530
1657D	18343	Tucker Space Guide Stop (right) Thumb Nut for 259530
1700J	18344	Ruffler Driving Lever Hinge Screw Nut, for 121123
1772J	18344	Ruffler Ruffling Blade Holder Hinge Screw Nut, for 121123
2102	18312	Bobbin Winder Tension Disc, for 225462
2102	18331	Tension Disc, for 270279 and 270284
2103	18337	" Spring, for 270284
2974	18328	Rotating Hook Bobbin Case Latch Lever Fulcrum Pin, for 40393
2975	18328	Rotating Hook Bobbin Case Latch Spring, for 52237
3146	22919	Binder Thumb Screw Washer, for 121168
7071	23226	Binder Folder Screw Washer, for 26250 and 28776

## NUMERICAL LIST OF PARTS

No.	Plate	Name
7071	23226	Binder Ribbon Tension Screw Washer, for 26250
7293	18319	Presser Foot Hinge Pin, for 19336, 20361, 120144 and 121660
8879	22919	Tape Reel Disc Pin Washer, for 121412
9842R	18342	Puller Feed Base Bolt Washer, for 259540
12142	23225	Presser Foot
12335	23236	" " (narrow)
12361	18310	Machine Hinge Connection
12370	18320	Feed Dog, 15 teeth (16 teeth to the inch) for 28776
12435	23236	Presser Foot with 228J (with needle hole on right hand side)
12462	23236	Presser Foot, for 1/8 in. to 1 in. gauges
12463	23236	" " with strip guide
13710	18312	Bobbin Winder Tension Spring, for 225462
13710	18331	Tension Spring, for 270279
14010	18346	Bed Frame Hinge Plate Rivet, for 20067
16555	18346	" " " " for 20067
17718	18343	Tucker Space Guide Stop (left) Thumb Nut Washer, for 259530
17718	18343	Tucker Space Guide Stop (right) Thumb Nut Washer, for 259530
19219	18346	Bed Frame Cushion (leather), for 20067
19220	18346	" " " Spring, for 20067
19223	23236	Presser Foot Shank, for 20134 and 121660
19226	18346	Bed Frame Hinge Connection, for 19398
19334	18319	Presser Foot Plate, for 19336
19335	18319	" " Shank, for 19336, 20361 and 120144
19336	18319	Presser Foot (hinged) complete, Nos. 7298, 19334 and 19335, for Machine No. 400w100
19397	18346	Bed Frame Hinge Connection Cap, for 19398
19398	18346	" " " " 19226, with 211E and 19397, for 20067
20067	18346	Bed Frame with two each 16555, 19398, four each 19219, 19220, six each 14010, wood screws 1-1/4 in. No. 12 and eight 158C
20117	18345	Feed Dog, for shirt work, beveled for hemmer 16 teeth (16 teeth to the inch) for 20124
20123XC	23219	Throat Plate, for 20163 and 20164
20124XC	18345	Throat Plate, large needle hole, for 20117
20133	23236	Presser Foot Plate, for 20134
20134	23236	Presser Foot (hinged) complete, for 3/16 in. to 1/4 in. gauges, for collar and cuff work, Nos. 19223, 20133 and 26276
20155	23236	Presser Foot Plate, for 20157
20156	23236	" " Shank, for 20157
20157	23236	Presser Foot (hinged) complete, Nos. 228J, 20155, 20156 and 62527

## NUMERICAL LIST OF PARTS

No.	Plate	Name
20159	18316	Feed Dog, 16 teeth (16 teeth to the inch) for 20160
20160XC	18316	Throat Plate, (large needle hole), for 20159 143172 and 143173
20163	23219	Feed Dog, 16 teeth (16 teeth to the inch) for 1/16 in. stitch, for 20123
20164	23219	Feed Dog, 16 teeth (16 teeth to the inch) for 1/8 in. stitch, for 20123 and 52190 for collar and cuff work
20343	23236	Presser Foot with guide on bottom to the right of needle hole
20356XC	23222	Throat Plate (large needle hole), for 121446
20357XC	-----	" " (small needle hole), for 121446
20360	23236	Presser Foot Plate, for 20361
20361	23236	" " (hinged) plain bottom complete, Nos. 7298, 19335 and 20360
20458	23225	Presser Foot
23263	22919	Tape Reel Arm Steady Pin, for 121412
24544	18309	Presser Foot Plate, for 24983
24982	18309	" " Shank, for 24983
24983	18309	" " (spring hinged) complete, Nos. 24544, 24982, 26231 and 62527, for Machine No. 400w101
25128	18342	Puller Feed Driving Belt Hook, for 225190
25721	23226	Binder Folder, for 26250
25722	23226	" Ribbon Tension, for 26250
25878	18310	Guide
25983	23226	Presser Foot, for 26250
26231	18309	" " Spring, for 24983 and 127234
26250	23226	Binder (English) complete, for gauges up to 9/16 in. Nos. 190D, 207F, 25721, 25722, 25983, 121444, 121445 and two 7071
26276	23236	Presser Foot Hinge Pin, for 20134, 44161 and 143168
26279	23236	Presser Foot Extension 1/16 inch
26280	23236	" " " 1/8 inch
26281	23236	" " " 1/4 inch
26282	23236	" " " 3/8 inch
26283	23236	" " " 1/2 inch
26485	18310	Screw Driver (small)
26603	23226	Feed Dog, 20 teeth (16 teeth to the inch) for 26605, 26606 and 270130
26605XC	23226	Throat Plate (large needle hole), for 26603
26606XC	-----	" " (small needle hole), for 26603
26682	18344	Guide (combination)
26795	23228	Corder Cord Guide, for 120207
26796	23228	" " " Arm, for 120207
27739	17900	Thread Cone (wood)
28334	18320	Binder Folder, for 28776
28337	18320	" Ribbon Tension, for 28776
28627	23232	Hemmer on Shank, for 1/8 in. to 5/8 in. gauges

No.	Plate	Name
28628	23232	Presser Foot, for 3/8 in. to 5/8 in. gauges
28676	18320	" " for 28776
28775XC	18320	Throat Plate, for 28776
28776	18320	Binder (English) complete, for heavy work Nos. 193D, 7071, 12370, 28334, 28337, 28676, 28775 and two 233J
32572	18331	Tension Releasing Disc, for 270279 and 270284
35002	18320	Presser Foot Extension, for 35137
35003	18320	Presser Foot Graduated Adjustable Guide (long, left), for 35137
35004	18320	Presser Foot Graduated Adjustable Guide (long, right), for 35137
35005	18320	Presser Foot Graduated Adjustable Guide (short, right), for 35137
35006	18320	Presser Foot Graduated Adjustable Guide (short, right) flush, for 35137
35063	23233	Presser Foot
35134	18320	" " with 36696, for 35137
35135	18320	" " Graduated Adjustable Guide Clamp, for 35137
35136	18320	Presser Foot Graduated Adjustable Guide Clamp Lever, for 35137
35137	18320	Presser Foot with Extension and Graduated Adjustable Guides complete, Nos. 337B, 35002 to 35006 and 35134 to 35136
35208	23228	Binder on Shank to turn in both edges, for bias or straight binding, for skirts wrappers, shirt waists, etc.
35236	23231	Hemmer on Shank, for 7/16 in. hem
35245	18315	Piping Attachment complete, for piping house dresses, Nos. 1443J and 120977
35511	18343	Tucker Tuck Guide Indicator, for 36394
35511	18343	" Space Guide Indicator, for 259530
35512	18343	" " " Pin, for 259529
35513	18343	" " " Stop (left), for 259530
35514	18343	" " " " " Guide Pin, for 259529
35515	18343	Tucker Space Guide Stop (right), for 259530
35517	18343	" Tuck Guide Arm, for 36394
35518	18343	" " " Base, for 36394
35524	18343	" " " Frame Spring Washer, for 36394
35525	18343	Tucker Tuck Guide Plate, for 36394
35528	18343	Presser Foot (wide), for 259532
35540	23231	Hemmer on Shank complete, with right hand lower guide, for lace, Nos. 1443B, 35926, 35927 and two 590J
35610	23229	Binder Washer, for 121737
35682	23230	Hemmer (foot) for 1/8 in. hem with guide on bottom to the right of needle hole
35710	23230	Hemmer (foot), for 3/32 in. hem, with guide on bottom to the right of needle hole

## NUMERICAL LIST OF PARTS

No.	Plate	Name
35926	22231	Hemmer, for 35540
35927	22231	" Shank, for 35540
35997	22230	" (foot), for 3/16 in. hem, with guide on bottom to the right of needle hole
36072	22230	Hemmer (foot), for 1/4 in. hem, with guide on bottom to the right of needle hole
36122	22230	Hemmer (foot), for 7/32 in. hem
36309	22230	" " " " " " with guide on bottom to the right of needle hole
36387	18343	Tucker Space Guide, for 259530
36389	18343	" Tuck Guide Bracket, for 36394
36390	18343	" " " " Spring, for 36394
36391	18343	Tucker Tuck Guide Bracket Spring Plate, for 36394
36392	18343	Tucker Tuck Guide Frame, for 36394
36393	18343	" " " " Spring, for 36394
36394	18343	Tucker Tuck Guide complete, for 259532, Nos. 9D, 423C, 803C, 1510E, 35511, 35517, 35518, 35524, 35525, 36389 to 36393, 50134E, two each 1115F, 1177D, 1520J, 56814 and three wood screws 1-1/4 in. No. 10
36413	22230	Hemmer (foot), plain bottom, for 1/16 in. hem
36414	22230	Hemmer (foot), plain bottom, for 3/32 in. hem
36416	22230	Hemmer (foot), plain bottom, for 3/16 in. hem
36464	23236	Presser Foot Spring Guide, for 36465
36465	23236	" " (right hand spring guide) with 665J and 36464, for 1/32 in. to 5/16 in. gauges
36480	22230	Hemmer (foot), plain bottom, for 5/32 in. hem
36524	22230	Hemmer (foot), for 5/32 in. hem, with guide on bottom to the right of needle hole
36574	23224	Presser Foot, for 36575
36575	23224	" " 36574 with 36576 and two 50202J
36576	23224	Presser Foot Finger Guard, for 36575
36637	18344	Ruffler Frame Spring Plate, for 121123
36638	18344	" Ribbon Guide, for 121123
36641	18344	" Ruffling Blade Holder Guide, for 121123
36642	18344	Ruffler Ruffling Blade Holder Guide Rivet for 121123
36644	18344	Ruffler Separating Blade, for 121501
36644	18344	" Shirring Blade, for 120819

## NUMERICAL LIST OF PARTS

No.	Plate	Name
		Nos. 36646 to 36648 for 121123
36646	18344	Ruffler Separating Blade Holder Friction Spring
36647	18344	Ruffler Separating Blade Holder Hinge Stud
36648	18344	" " " " Stop Stud
36654	23236	Presser Foot, for tucking shirt bosoms
36696	23233	Hemmer Scroll (lower) Spring Lock Pin, for 121668 and 121671
36696	18320	Presser Foot Graduated Adjustable Guide Clamp Steady Pin, for 35134
36714	23236	Presser Foot with 233D, for 36717
36715	23236	" " Guide (right) with 36716, for 36717
36716	23236	Presser Foot Guide Stud, for 36715
36717	23236	" " complete, with Adjustable Guide (right) Nos. 36714 and 36715
36773	23236	Presser Foot, for braiding
40274	18328	Rotating Hook Section, for 270118
40315	23236	Presser Foot, for long stitch, for general work
40316	23231	Presser Foot Plate, for 40318
40317	23231	" " Shank, for 40318
40318	23231	" " (hinged) complete, for lace running, Nos. 40316, 40317 and 62527
40322	23236	Presser Foot (narrow)
40392	18328	Rotating Hook Bobbin Case Latch, for 40393
40393	18328	" " " " Hinge, Nos. 2974, 40392 and 125320, for 52237
40394	18328	Rotating Hook Bobbin Case Tension Spring, for 52236
41400	18310	Machine Rest Pin (wood)
43525	22919	Binder Steady Pin, for 121398
44136	23225	Feed Dog, 15 teeth (16 teeth to the inch) for 44137
44137XC	23225	Throat Plate, for 44136
44158	23222	Feed Dog, 15 teeth (14 teeth to the inch) for 44162
44159	23222	Presser Foot Plate, for 44161
44160	23222	" " Shank, for 44161
44161	23222	" " (hinged) complete, Nos. 26276, 44159 and 44160
44162XC	23222	Throat Plate, for 44158
44252	23224	Feed Dog, 12 teeth (12 teeth to the inch) for 44255, 44256 and 270129
44253	23224	Feed Dog, 16 teeth (16 teeth to the inch) for 44255, 44256 and 270129
44255XC	-----	Throat Plate (small needle hole), for 44252 and 44253
44256XC	23224	Throat Plate (large needle hole), for 44252 and 44253
50053W	18343	Tucker Space Guide Thumb Screw, for 259530



## NUMERICAL LIST OF PARTS

No.	Plate	Name
50117E	18309	Feed Dog Screw
50134E	18343	Tucker Tuck Guide Base Screw Stud, for 36394
50190W	18332	Attachment Thumb Screw
50202J	23224	Presser Foot Finger Guard Screw, for 36575
51097J	22919	Binder Thumb Screw, for 121168
51097J	22919	Tape Reel Arm Thumb Screw, for 121168
51219F	18344	Ruffler Driving Lever Hinge Screw, for 121123
51220AL	18345	Feed Bar Body Adjusting Screw, for 143185
51221F	18344	Ruffler Ruffling Blade Holder Hinge Screw for 121123
51229D	18336	Needle Bar Thread Guard Screw, for 270259 and 270318
51371K	18344	Ruffler Driving Lever Adjusting Thumb Screw (lower), for 121121
52018	18328	Rotating Hook Bobbin Case Holder Position Bracket
52031	18309	Feed Dog, 19 teeth (22 teeth to the inch) for 52032 and 52033
52032XC	-----	Throat Plate (large needle hole), for 52031
52033XC	18309	Throat Plate (small needle hole), for 52031
52055	23228	Presser Foot
52056	18315	" "
52082	18331	Thread Take-up Spring, for 270279
52188	23219	Presser Foot (solid), for cuff work
52189	23219	" " " " collar work
52190XC	23219	Throat Plate, for 20164
52235	18328	Rotating Hook Bobbin Case, for 52236
52236	18328	" " " " 52235 with 591F, 1380E and 40394, for 52237
52237	18328	Rotating Hook Bobbin Case complete, Nos. 592E, 2975, 40393 and 52236, for 127241 and 270119
52266	18305	Feed Bar Slide Block, for 52267
52267	18305	" " " " 52266 with 125060, for 270024
52390	18341	Presser Foot Shank, for 127234
52394	18337	Thread Take-up Spring, for 270284
52462	23226	Feed Dog, 19 teeth (22 teeth to the inch), for 52463
52463XC	23226	Throat Plate, for 52462
52544	23220	Presser Foot Spring, for 143168
56814	18343	Tucker Tuck Guide Bracket Screw Center 307C with 1513J, for 36394
60913	17900	Spool Weight with 60914
60914	17900	Spool Weight Center Pin, for 60913
62527	18309	Presser Foot Hinge Pin, for 20157, 24983, 40318 and 127234
120143	18315	Presser Foot Plate, for 120144
120144	18315	" " (hinged) complete, Nos. 7298, 19335 and 120143

## NUMERICAL LIST OF PARTS

No.	Plate	Name
120206	23228	Corder Cord Guide Bed with 457C, for 120207
120207	23228	Corder (adjustable) complete, for short turns on cushions, Nos. 190D, 1044D, 26795, 26796 and 120206
120208	23228	Presser Foot (grooved)
120342	18310	Oiler (copper plated) with 120343
120343	18310	" Spout, (3 1/2 in. long), for 120342
120367	23232	Hemmer on Shank, for handkerchief work
120479	18320	Quilter Guide (left), for 120485
120480	18320	" " (right), for 120485
120481	18320	" " Bracket, for 120482
120482	18320	" " " 120481 with 120483 and two 209C, for 120485
120483	18320	Quilter Guide Disengaging Sleeve, for 120482
120484	18320	Quilter Guide Disengaging Sleeve Spring, for 120485
120485	18320	Quilter complete, Nos. 602D, 120479, 120480, 120482 and 120484
120536	23229	Tape Reel Disc with 120538 and 120539, for 121168 and 121737
120537	22919	Tape Reel Disc Pin, for 121412
120538	23229	" " " Stud (wood), for 120536
120539	23229	" " " " Sleeve (brass), for 120536
120740	23229	Tape Reel Pin, for 121737
120803	23230	Hemmer (foot), for 1/8 in. hem
120804	23230	Hemmer (foot), for 5/32 in. hem
120805	23230	" " for 3/16 in. hem
120806	23230	" " for 1/4 in. hem
120807	23230	" " for 5/16 in. hem
120812	18344	Ruffler Driving Lever Bushing, for 121123
120813	18344	" " " Friction Washer, for 121123
120818	18344	Ruffler Shirring Blade Holder, for 120819
120819	18344	" " " " 120818 with 36644 and two 120829, for 121697
120828	23236	Presser Foot (single toe), for gathering for fine work
120829	18344	Ruffler Ruffling Blade Rivet, for 121120
120829	18344	" Separating Blade Rivet, for 121501
120829	18344	" Shirring Blade Rivet, for 120819
120830	18344	" Separating Blade Holder, for 121501
120837	23230	Hemmer (foot), plain bottom, for 1/8 in. hem slotted, for lace
120898	23230	Hemmer (foot), for 1/16 in. to 1/8 in. hem for China Silk, etc.
120911	23230	Hemmer (foot), for 5/32 in. to 1/4 in. hem for China Silk, etc.
120938	23230	Hemmer (foot), for 3/32 in. hem
120977	18315	Piping Attachment, for 35245



## NUMERICAL LIST OF PARTS

No.	Plate	Name
120991	23232	Hemmer on Shank, for 1/16 in. to 1/4 in. gauges
121116	18344	Ruffler Driving Lever, for 121123
121117	18344	" Frame, for 121123
121118	18344	" Ruffling Blade, for 121120
121119	18344	" " Holder, for 121120
121120	-----	Ruffler Ruffling Blade Holder 121119 with 121118 and two 120829, for 121123
121121	18344	Ruffler Ruffling Blade Lever with 560B and 51371K, for 121123
121123	18344	Ruffler complete, Nos. 240B, 1700J, 1772J, 36637, 36638, 36641, 36642, 36646 to 36648 51219F, 51221F, 120812, 120813, 121116, 121117, 121120, 121121 and 121501, for 121697
121167	22919	Binder Folder on Shank, for 121168
121168	22919	Binder (transverse) on Shank complete, (for folded or unfolded bias binding (with tape reel), for general work, for 3/4 in., 7/8 in., and 1 in. tape, Nos. 3146, 120536, 121167, 121169, 121397, 121398, 121412 and two 51097J
121169	23229	Presser Foot, for 121168 and 121737
121397	22919	Feed Dog, 18 teeth (16 teeth to the inch), for 121168
121398XC	22919	Throat Plate with 43525, for 121168
121412	22919	Tape Reel Arm with 8879, 22263 and 120537 for 121168
121444	23226	Feed Dog, 13 teeth (16 teeth to the inch) for 26250
121445XC	23226	Throat Plate, for 26250
121446	23228	Feed Dog, spiked teeth, 13 teeth (10 teeth to the inch), for 20356, 20357, 121447, and 270128
121447XC	23228	Throat Plate, for 121446
121501	18344	Ruffler Separating Blade Holder 120830 with 36644 and two 120829, for 121123
121646	23219	Feed Dog, 12 teeth (16 teeth to the inch) for 121649
121647	23219	Presser Foot with 121648 and two 237J, for 3/16 in., 7/32 in., 1/4 in., 9/32 in., and 5/16 in. gauges, for collar work (second stitching)
121648	23219	Presser Foot Edge Guide, for 3/16 in., 7/32 in., 1/4 in., 9/32 in., and 5/16 in. gauges, for 121647
121649XC	23219	Throat Plate, for 121646
121653	18315	Hemmer on Shank, for 9/16 in. hem
121655	23225	Binder on Shank, for facing sleeve plackets
121656	23225	Presser Foot, for facing sleeve plackets

No.	Plate	Name
121658	23226	Edge Folder with Edge Guide on Shank, for Yoking
121659	23226	Presser Foot Plate, for 121660
121660	23226	" " (hinged) complete, Nos. 7298 19223 and 121659
121662	23224	Joining Attachment, for shoulder joining
121663	23224	Presser Foot, for shoulder joining
121667	23233	Hemmer Scroll (lower) Spring, for 121668 and 121671
121668	23233	Hemmer on Shank with 337B, 36696 and 121667 for 7/8 in. to 2 in. hem, for hemming pillow cases
121671	23233	Hemmer on Shank with 337B, 36696 and 121667 for 2-1/16 in. to 4 in. hem, for hemming pillow cases
121696	18344	Ruffler Needle Clamp with 140204F, for 121697
121697	18344	Ruffler 121123 with 120819 and 121696 for Machine No. 400W102
121732	23229	Binder (transverse), for 121737
121733	23229	" Throw-out Arm with 192349, for 121737
121734	23229	Binder Throw-out Arm Bracket Rivet, for 121739
121735	23229	Binder Releasing Lever, for 121737
121736	23229	" " " Spring, for 121737
121737	23229	Binder (transverse) with Throw-out Arm complete, for folded or unfolded bias binding (with tape reel), for general work, for 3/4 in., 7/8 in. and 1 in. tape, Nos. 724F, 940F, 35610, 120536, 120740 121169, 121732, 121733, 121735, 121736, 121738, 121739 and two 1443J
121738	23229	Feed Dog, 17 teeth (16 teeth to the inch), for 121737
121739XC	23229	Throat Plate with two 121734, for 121737
121758	23230	Feed Dog, 13 teeth (16 teeth to the inch), for 121759
121759XC	23230	Throat Plate (large needle hole), for 121758
121760	23230	Hemmer (foot), for 1/8 in. hem, for hemming shirts
121761	23230	Hemmer (foot), for 1/8 in. hem, for hemming shirts
121762	23230	Hemmer (foot), for 5/32 in. hem
121763	23236	Presser Foot with hemmer with yielding top scroll
*125060	18305	Feed Bar Slice Block Stud, for 52267
125320	18328	Rotating Hook Bobbin Case Latch Lever for 40393
127087	18319	Feed Dog, 19 teeth (16 teeth to the inch) for 127106, 127107 and 270127

No.	Plate	Name
127106XC	18319	Throat Plate (large needle hole),for 127087
127107XC	-----	Throat Plate (small needle hole),for 127087
127229	18341	Feed Dog,17 teeth (14 teeth to the inch), for 127238,for Machine No.400w103
127233	18341	Presser Foot Plate,for 127234
127234	18341	" " (spring hinged),complete Nos.26231,52390,62527 and 127233,for Machine No.400w103
127238XC	18341	Throat Plate,for 127229
127241	18328	Rotating Hook Bobbin Case 52237 with 127242
127242	18328	Rotating Hook Bobbin Case Holder,for 127241 and 270118
127245	18336	Needle Bar Thread Guard,for 270259 and 270318
127246	18336	Needle Clamp with 140119F,for 270259 and 270318 Nos.127257 to 127259,for 127260
127257	23221	Presser Foot Plate
127258	23221	" " Shank
127259	23221	" " Thread Cutter
127260	23221	" " (hinged) complete,with Thread Cutter,Nos.239E,127257 to 127259 and 131256
131256	23221	Presser Foot Hinge Pin,for 127260
140119F	18336	Needle Clamp Screw,for 127246
140204F	18344	Ruffler Needle Clamp Screw,for 121696
143030	18305	Feed Bar
143165	23220	" Dog,18 teeth,(14 teeth to the inch) for 143169
143166	23220	Presser Foot Plate,for 143168
143167	23220	" " Shank,for 143168
143168	23220	Presser Foot (spring hinged) complete, Nos.26276,52544,143166 and 143167,for curtain work
143169XC	23220	Throat Plate (large needle hole),for 143165
143170	23222	Feed Dog,16 teeth (16 teeth to the inch) for 143171
143171XC	23222	Throat Plate (large needle hole),for 143170
143172	18316	Feed Dog,18 teeth (18 teeth to the inch) for 20160
143173	18316	Feed Dog,20 teeth (20 teeth to the inch) for 20160
143174	23220	Feed Dog,17 teeth (14 teeth to the inch) for 143175
143175XC	23220	Throat Plate (large needle hole),for 143174

No.	Plate	Name
143185	18347	Feed Bar Body with two 51220AL,for 143187
143186	18347	" " Shank,for 143187
143187	18347	" " (tilting adjustable) complete, Nos.704C,143185 and 143186
143272XC	18309	Throat Plate (medium needle hole)
150203	17900	Thread Unwinder Spool Rest Cushion (felt), for 225258
192349	23229	Binder Releasing Lever Spring Position Stud,for 121733
200004E	18332	Arm Screw
200040E	18305	Feed Driving Connection Crank Pinch Screw, for 270015
200040E	18305	Feed Lifting Connection Crank Pinch Screw, for 270015
200041X	18332	Arm Cover Plate Screw
200041X	18332	Rotating Hook Oil Reservoir Cover Screw
200054E	18330	Needle Bar Connecting Link Guide Block Screw
200056E	18312	Bobbin Winder Stop Latch Screw,for 259431 and 259462
200056D	18331	Thread Shearing Finger Screw
200070C	18329	Rotating Hook Driving Shaft Connection Belt Pulley Set Screw,for 270034
200077D	18328	Rotating Hook Bobbin Case Holder Position Bracket Screw
200082D	18312	Bobbin Winder Tension Bracket Screw,for 259431 and 259462
200086C	18330	Needle Bar Connecting Stud Pinch Screw, for 270057
200095B	18342	Fuller Feed Driving Pinion Cap Screw,for 259540
200113F	18312	Bobbin Winder Brake Clamp Screw,for 259431 and 259462
200132E	18330	Tension Releaser Screw
200196E	18330	Thread Pull-off Set Screw,for 270063
200246B	18343	Tucker Space Guide Base Hinge Screw,for 259529
200293C	18330	Knee Lifter Lifting Link Hinge Screw
200299H	18312	Bobbin Winder Stop Latch Trip Lever Hinge Screw,for 259431 and 259462
200326C	18330	Needle Bar Bushing (upper) Set Screw
200333C	18329	Feed Driving Flange Position Screw,for 270020
200333C	18326	Needle Bar Crank Position Screw,for 270253 270301 and 270316
200346C	18329	Feed Driving Flange Set Screw,for 270020
200347C	18333	Knee Lifter Rock Lever Stop Stud Set Screw for 228360
200354C	18326	Balance Wheel Set Screw,for 270101,270104 and 270106
200355H	18331	Thread Retainer Set Screw

## NUMERICAL LIST OF PARTS

No.	Plate	Name
200362C	18326	Needle Bar Crank Position Screw Check Screw, for 270252, 270301 and 270316
200362C	18329	Rotating Hook Driving Shaft Bushing Set Screw
200363C	18326	Arm Shaft Connection Belt Pulley Set Screw, for 270006
200363C	18332	Knee Lifter Lifting Link Connection Set Screw, for 270257
200363C	18326	Rotary Take-up (small) Driving Shaft Driving Pulley Set Screw, for 270070
200364C	18342	Puller Feed Driving Pulley Shaft Set Screw, for 259537
200364C	18342	Puller Feed Roll and Shaft (lower) Extension Set Screw, for 259538
200369C	18329	Feed Driving Eccentric Fiction Gib Adjusting Screw, for 270020
200373C	18342	Puller Feed Driving Puller Set Screw, for 259468
200374C	18326	Needle Bar Connecting Link Hinge Stud Set Screw, for 270306, 270268 and 270320
200377C	18331	Tension Stud Set Screw, for 270281
200380C	18312	Bobbin Winder Pulley Set Screw, for 225368 and 259461
200382C	18329	Feed Lifting Eccentric Set Screw, for 270023
200382C	18342	Puller Feed Driving Gear Set Screw, for 237751
200382C	18327	Rotary Take-up (small) Driving Shaft Pulley Set Screw, for 270072
200382C	18329	Rotating Hook Driving Shaft Gear Set Screw, for 270035
200383C	17900	Thread Unwinder Spool Rest Rod Set Screw for 202490
200394C	18305	Feed Bar Center Set Screw, for 270021
200394C	18342	Puller Feed Roll and Shaft Gear Set Screw, for 259063
200474C	18332	Knee Lifter Lifting Rod Connection Set Screw, for 270257
200439C	18326	Arm Shaft Connection Belt Pulley Position Screw, for 270006
200529C	18333	Knee Lifter Rock Lever Rod Set Screw, for 228370
200545C	18305	Feed Driving Connection Hinge Screw
200545C	18305	" Lifting Connection Hinge Screw
200580H	18331	Thread Guide Screw
200582H	18326	Balance Wheel Cap Screw, for 270103, 270105 and 270107
200582H	18331	Face Plate Screw
200583H	18331	Rotary Take-up Guard Screw
200710	18342	Puller Feed Base Bolt, for 259540
200902D	18342	Puller Feed Roll and Shaft (upper) Bearing Screw, for 259537

## NUMERICAL LIST OF PARTS

No.	Plate	Name
201018C	17900	Thread Unwinder Spool Rest Set Screw, for 225257
201152E	18320	Finger Guard Screw, for 259084
201188C	18342	Puller Feed Driving Pulley Shaft Collar Set Screw, for 259470
201188C	18342	Puller Feed Roll and Shaft (lower) Collar Set Screw, for 259470
201215D	18329	Rotating Hook Oil Feeder Screw
201220C	18329	Feed Driving Eccentric Adjusting Disc Spring Collar Position Screw, for 270019 and 270111
201220C	18329	Feed Lifting Eccentric Position Screw, for 270023
201220C	18342	Puller Feed Driving Gear Position Screw, for 237751
201220C	18329	Rotating Hook Driving Shaft Gear Position Screw, for 270035
201253F	18327	Rotary Take-up (small) Thread Shearing Block Screw
201346C	18342	Balance Wheel Set Screw, for 259463 and 259465
201499B	18312	Bobbin Winder Tension Stud, for 225461
201522E	18305	Feed Driving Connection Hinge Screw Nut
201522E	18305	" Lifting Connection Hinge Screw Nut
201525E	18343	Tucker Space Guide Base Hinge Screw Nut, for 259529
201572B	18312	Bobbin Winder Tension Stud Thumb Nut, for 225462
201696J	17900	Thread Unwinder Thread Guide Lock Nut, for 228258
202005	18332	Arm Screw Washer
202253	18326	" Shaft Connection Belt Pulley Spring Flange, for 270006
202253	18329	Rotating Hook Driving Shaft Connection Belt Pulley Spring Flange, for 270034
202277	18312	Bobbin Winder Frame Oil Packing (wick), for 225453
202230	18330	Needle Bar Connecting Stud Oil Packing (wick), for 270057
202478	18312	Bobbin Winder Stop Latch Trip Lever, for 259431 and 259462
202490	17900	Thread Unwinder Spool Stand with 200363C, for 225258
204235	18332	Arm Position Pin
205796	18342	Puller Feed Roll and Shaft (upper) Bearing Spring, for 259537
210954	18331	Thread Guide (lower)
210983	18330	Rotary Take-up (large) Position Pin, for 270265
222598	18329	Rotating Hook Driving Shaft Bushing Oil Packing (wick), for 270033
224103	18326	Arm Shaft Connection Belt

## NUMERICAL LIST OF PARTS

No.	Plate	Name
224390	18329	Rotating Hook Shaft Oil Packing (wick)
225190	18342	Puller Feed Driving Belt, size 1/4 in. diam. length 39-1/2 in., with 25128, for 259540
225257	17900	Thread Unwinder Spool Rest (for two spools) (flat) with 201018C, for 225258
225258	17900	Thread Unwinder (for two spools) complete, Nos. 201696J, 202490, 225257, 225324, 225326, 225388, two each 150203, 225391 and three wood screws 7/8 in., No. 12
225322	17900	Thread Unwinder Thread Guide Rod Washer, for 225324
225324	17900	Thread Unwinder Thread Guide Rod with 208AL and 225322, for 225258
225326	17900	Thread Unwinder Thread Guide Position Cup for 225258
225368	18312	Bobbin Winder Pulley with 200380C, for 259431
225377	17900	Spool Wire, for small spools
225381	18312	Bobbin Winder Spindle, for 259431 and 259462
225388	17900	Thread Unwinder Spool Rest Rod, for 225258
225390	17900	" Cone Holder
225391	17900	" Unwinder Thread Guide, for 228258
225421	18316	Hemmer (foot), for 3/32 in. hem
225422	18316	" " " 5/32 in. hem
225423	18316	" " " 5/64 in. hem
225424	18316	" " " 1/8 in. hem
225425	18316	" " " 9/64 in. hem
225426	18316	" " " 3/16 in. hem
225427	18316	" " " 7/32 in. hem
225428	18316	" " " 1/4 in. hem
225434	18316	Bobbin Holder
225438	18312	" Winder Frame Oil Well Cap, for 225453
225444	18312	Bobbin Winder Stop Latch, for 259431 and 259462
		Nos. 225453 to 225456 for 259431 and 259462
225453	18312	Bobbin Winder Frame with 202277 and 225438
225454	18312	Bobbin Winder Frame Hinge Pin
225455	18312	" " " Spring
225456	18312	" " " Plunger
225458	18312	" " Stop Latch Thumb Lever, for 259431 and 259462
225459	18312	Bobbin Winder Stop Latch Thumb Lever Hinge Stud, for 259431 and 259462
225459	18312	Bobbin Winder Stop Latch Thumb Lever Joint Stud, for 259431 and 259462
225461	18312	Bobbin Winder Tension Bracket with 201499B for 225462

## NUMERICAL LIST OF PARTS

No.	Plate	Name
225462	18312	Bobbin Winder Tension Bracket complete, Nos 13710, 201572B, 225461 and two 2102 for 259431 and 259462
225708	18343	Tucker Space Guide Base Spring, for 259529
*227785	-----	Auxiliary Knee Lifter Rock Lever Rod Cap for 228395
228026	18312	Bobbin Winder Tension Bracket Screw Washer for 259431 and 259462
228359	18333	Knee Lifter Rock Lever with two 350231C, for 228361
228360	18333	Knee Lifter Rock Lever Bracket with 200347C and three wood screws 7/8 in., No. 12, for 228361
228361	18333	Knee Lifter Rock Lever Bracket 228360 with 228359, 228363, 228367 and 228386, for 228371
228363	18333	Knee Lifter Rock Lever Hinge Pin, for 228361
228364	18333	Knee Lifter Rock Lever Knee Plate with 350231C, for 228371
228365	18333	Knee Lifter Rock Lever Rod, for 228371
228367	18333	Knee Lifter Rock Lever Stop Stud, for 228361
228370	18333	Knee Lifter Rock Lever Extension with 200529C, for 228371
228371	18333	Knee Lifter Rock Lever complete, Nos. 228361, 228364, 228365, 228370 and 228388
228386	18333	Knee Lifter Rock Lever Spring, for 228361
228388	18333	" " " " Knee Plate Arm, for 228371
228393	18333	Drip Pan with four 3/4 in. wire nails
228394	18347	Spool Pin
228395	18346	Auxiliary Knee Lifter Rock Lever Rod with 227785
228396	18346	Auxiliary Knee Lifter Rock Lever Rod Bracket
237751	18342	Puller Feed Driving Gear with 200382C and 201220C, for 259540
240231	18329	Feed Driving Eccentric Friction Gib
240245	18329	" Regulating Stud Retaining Spring
248415	18329	" Driving Eccentric Adjusting Disc Spring
259057	18342	Puller Feed Driving Pinion, for 259540
*259061	-----	" " Roll and Shaft (upper) Bearing, for 259537
259063	18342	Puller Feed Roll and Shaft Gear with 200394C, for 259540
259064	18342	Puller Feed Work Guide, (wood), for 259540
259074	18342	" " Base Block (wood), for 259540
259082	18320	Finger Guard, for 259084
259083	18320	" " Bracket, for 259084

## NUMERICAL LIST OF PARTS

No.	Plate	Name
259084	18320	Finger Guard complete, Nos. 201152E, 259082 and 259083
		Nos. 259428 to 259430 for 259431 and 259462
259428	18312	Bobbin Winder Brake (leather)
259429	18312	Bobbin Winder Brake Clamp
259430	18312	Bobbin Winder and Tension Bracket Base
259431	18312	Universal Bobbin Winder complete, Nos. 200056E, 200082D, 200113F, 200299H, 202478, 225368, 225381, 225444, 225453 to 225456, 225458, 225462, 228026, 259428 to 259430 two each 225459 and wood screws 3/4 in., No. 12 R. H. B.
259461	18312	Bobbin Winder Pulley with 200380C, for 259462
259462	18312	Universal Bobbin Winder complete, (for V belt drives) Nos. 200056E, 200082D, 200113F, 200299H, 202478, 225381, 225444, 225453 to 225456, 225458, 225462, 228026, 259428 to 259430, 259461, two each 225459 and wood screws 3/4 in., No. 12, R. H. B.
259463	18342	Balance Wheel, Belt grooves 2 1/8 and 1 in. diam. with 201346C and 350107C, for 259464
259464	18342	Balance Wheel 259463 with 270004, for 259540
259465	18342	Balance Wheel, belt grooves 2.9 in. outside diam., for 3/8 in. V belt and 1 in. bottom diam., for round belt with 201346C and 350107C, for 259466
259466	18342	Balance Wheel 259465 with 270004 Nos. 259468 to 259470 for 249540
259468	18342	Puller Feed Driving Pulley (belt groove 4-1/4 in. diam.), with 200373C
259469	18342	Puller Feed Driving Pulley Shaft
259470	18342	Puller Feed Driving Pulley Shaft Collar with 201188C
259470	18342	Puller Feed Roll and Shaft (lower) Collar with 201188C
259477	18310	Screw Driver, 5 in. long (moulded handle)
259502	18320	Finger Guard
259529	18343	Tucker Space Guide Base with 35512, 35514, 200246B, 201525E, 225708 and two 1426E for 259530
259530	18343	Tucker Space Guide complete, Nos. 35511, 35513, 35515, 36387, 50053W, 259529 two each 1657D and 17718, for 259532
259532	18343	Tucker (long arm) complete, Nos. 35528, 36394 and 259530
259537	18342	Puller Feed Base with 200364C, 259061, two each 200902D and 205796, for 259540
259538	18342	Puller Feed Roll and Shaft (lower) with 200364C, for 259540

## NUMERICAL LIST OF PARTS

No.	Plate	Name
259539	18342	Puller Feed Roll and Shaft (upper), for 259540
259540	18342	Puller Feed Device complete, Nos. 200095B, 225190, 237751, 259057, 259064, 259074, 259464, 259468, 259469, 259537 to 259539, two each 9842R, 200710, 259063 and 259470
259541	18343	Presser Foot, 50 needle hole
259542	18343	" " " " " 1/16 in. gauge to left of needle hole
259543	18343	Presser Foot, 50 needle hole, 3/32 in. gauge to left of needle hole
259544	18343	Presser Foot, 50 needle hole, 1/8 in. gauge to left of needle hole
259545	18343	Presser Foot, 50 needle hole, 5/32 in. gauge to left of needle hole
270002	18332	Arm Cover Plate (back)
270004	18326	" Shaft Ball Bearing (back), for 259464, 259466, 270103, 270105 and 270107
270005	18326	Arm Shaft Ball Bearing (front)
270006	18326	" " Connection Belt Pulley with 200363C, 200439C and two 202253
270009	18332	Bed Slide
270010	18328	Rotating Hook Bobbin
270012	18305	Feed Bar Center
270013	18305	Feed Driving Connection, for 270014
270013	18305	" Lifting Connection, for 270014
270014	18305	" Driving Connection 270013 with 270016
270014	18305	" Lifting Connection 270013 with 270016
270015	18305	" Driving Connection Crank with 200040E
270015	18305	" Lifting Connection Crank with 200040E
270016	18305	" Driving Connection Needle Bearing, for 270014
270016	18305	Feed Lifting Connection Needle Bearing, for 270014
270017	18329	Feed Driving Eccentric
270018	18329	Feed Driving Eccentric Adjusting Disc
270019	18329	" " " " " Spring Collar with 201220C, for Machine No. 400w101
270020	18329	Feed Driving Flange with 200333C, 200346C, two each 200369C and 350101C
270021	18305	Feed Driving Rock Shaft with two 200394C
270022	18305	" " " " Center
270022	18305	" Lifting Rock Shaft Center
270023	18329	" " Eccentric with 200382C and 201220C
270024	18305	Feed Lifting Rock Shaft with 52267
270025	18329	Regulating Stud
270026	18329	Feed Regulating Stud Spring
270032	18327	Rotary Take-up (small) Driving Shaft Ball Bearing
270032	18329	Rotating Hook Driving Shaft Ball Bearing

## NUMERICAL LIST OF PARTS

No.	Plate	Name
270033	18329	Rotating Hook Driving Shaft Bushing with 222598
270034	18329	Rotating Hook Driving Shaft Connection Belt Pulley with 202253 and two 200070C
270035	18329	Rotating Hook Driving Shaft Gear (internal teeth) with 200382C and 201220C
270036	18329	Rotating Hook Driving Shaft Oil Lead Wire
270037	18329	" " Oil Feeder
270038	18332	" " " Reservoir Cover
270039	18332	" " " " " Gasket
270040	18329	" " Shaft
270041	18329	" " " Bushing, for 270042
270042	18329	" " " " 270041 with two 270043
270043	18329	Rotating Hook Shaft Needle Bearing, for 270042
270044	18329	Rotating Hook Shaft Thrust Washer
270048	18332	Knee Lifter Lifting Rod Connection
270057	18330	Needle Bar Connecting Stud with 200086C and 202330
270058	18330	Needle Bar Oiling Felt
270061	18330	Presser Bar Lifter
270062	18330	" " Lifting Releasing Lever Bracket
270063	18330	Presser Bar Position Guide with 200196E and 350411C
270065	18332	Presser Bar Spring Stud
270067	18327	Rotary Take-up (small) with 350418C
270069	18327	" " " Driving Shaft Connection Belt
270070	18326	Rotary Take-up (small) Driving Shaft Driving Pulley with two each 200363C and 270071
270071	18326	Rotary Take-up (small) Driving Shaft Driving Pulley Spring Flange, for 270070
270072	18327	Rotary Take-up (small) Driving Shaft Pulley with two 200382C
270074	18327	Rotary Take-up (small) Thread Shearing Block
270077	18330	Thread Guide (on needle bar bushing)
270080	18331	" Retainer
270082	18329	Rotating Hook Oil Reservoir Oil Gauge
270083	18328	" " Thread Guard, for 270117
270093	18320	Presser Bar Bushing (for use with Quilter 120485)
270094	18332	Knee Lifter Lifting Rod
270095	18330	Presser Bar Lifting Releasing Lever Bracket Spring
270096	18331	Thread Guide
270101	18326	Balance Wheel (belt groove 2-1/8 in. diam) with two 200354C, for 270103
270102	18326	Balance Wheel Cap, for 270103, 270105 and 270107

## NUMERICAL LIST OF PARTS

No.	Plate	Name
270103	18326	Balance Wheel 270101 with 270004, 270102 and two 200582H
270104	18326	Balance Wheel (belt groove 1-13/16 in. diam.) with two 200354C, for 270105
270105	18326	Balance Wheel 270104 with 270004, 270123 and two 200582H
270106	18326	Balance Wheel "V" belt groove (outside diam. of belt groove 2.9 in.) with two 200354C, for 270107
270107	18326	Balance Wheel 270106 with 270004, 270102 and two 200582H
270111	18335	Feed Driving Eccentric Adjusting Disc Spring Collar with 201220C, for Machine Nos. 400w102 and 400w103
270115	18331	Thread Shearing Finger Screw Washer
270116	18328	Rotating Hook with two 1253C, for 270117
270117	18328	" " 270116 with 270083 and four 1053E, for 270118
270118	18328	Rotating Hook 270117 with 40274, 127242 and three 1367E, for 270119
270119	18328	Rotating Hook 270118 with 52237
270120	18344	Hemmer Foot, for 1/8 in. hem
270121	18344	Feed Dog, for 270122
270122	18344	Throat Plate (small needle hole) for 270121
270123	18326	Balance Wheel Cap, for 270105
270125	18331	Thread Shearing Finger
270127	18345	Throat Plate (large needle hole) for 127087
270128	18345	Throat Plate (large needle hole) for 121446
270129	18345	Throat Plate (large needle hole), for 44252 and 44253
270130	18345	Throat Plate (large needle hole) for 26603
*270251	-----	Arm
*270252	-----	" Shaft, for 270253, 270301 and 270316
270253	18338	" " 270252 with 200333C, 200362C and 270268, for Machine No. 400w103
*270254	-----	Bed
270255	18331	Face Plate
270256	18330	Knee Lifter Lifting Link
270257	18332	" " Rock Shaft with 200363C and 200434C
270258	18339	Needle Bar, for 270259
270259	18339	Needle Bar 270258 with 51229D, 127245 and 127246, for Machine No. 400w103
270260	18336	Needle Bar Bushing (lower), for Machine Nos. 400w102 and 400w103
270261	18330	Needle Bar Bushing (upper)
270262	18330	Needle Bar Connecting Link, for 270263
270263	18330	Needle Bar Connecting Link 270262 with 270266

## NUMERICAL LIST OF PARTS

No.	Plate	Name
270264	18330	Needle Bar Connecting Link Guide Block
270265	18330	" " " " Hinge Stud with 210983
270266	18330	Needle Bar Connecting Link Needle Bearing for 270265
270267	18339	Needle Bar Connecting Link Thrust Washer for Machine No.400w103
*270268	-----	Needle Bar Crank with two 200374C,for 270253
270269	18330	Presser Bar with 176J
270270	18330	" " Bushing
270271	18332	" " Spring
270272	18340	Rotary Take-up (large),for Machine No. 400w103
270273	18327	Rotary Take-up (small) Driving Shaft
270274	18327	" " " Hub Cover
270276	18329	Rotating Hook Driving Shaft
270277	18330	Tension Releaser (adjustable)
270278	18331	" Releasing Pin,for 270279 and 270284
270279	18331	Tension complete,Nos.1560C,13710,32572, 52082,270278,270281,350457C and two 2102,for Machine No.400w101
270280	18330	Thread Pull-off
270281	18331	" Take-up Spring Regulator with 200377C,for 270279 and 270284
270282	18339	Presser Bar Lifter,for Machine No.400w103
270283	18331	Rotary Take-up Guard
270284	18337	Tension complete,Nos.1560C,2103,32572, 52394,270278,270281,350457C and two 2102,for Machine Nos.400w102 and 400w103
270285	18332	Knee Lifter Lifting Link Connection
270301	18326	Arm Shaft 270252 with 200333C,200362C and 270306,for Machine No.400w101
270302	18330	Needle Bar with 350445F,for Machine No. 400w101
270303	18330	Needle Bar Bushing (lower),for Machine No.400w101
270304	18331	Rotary Take-up (large) for Machine No. 400w101
270305	18330	Needle Bar Connecting Link Thrust Washer for Machines Nos.400w101 and 400w102
*270306	-----	Needle Bar Crank with two 200374C,for 270301
270316	18334	Arm Shaft 270252,with 200333C,200362C and 270320,for Machine No.400w102
270317	18336	Needle Bar,for 270318
270318	18336	" " 270317 with 51229D,127245 and 127246,for Machine No.400w102
*270320	-----	Needle Bar Crank with two 200374C,for 270316

## NUMERICAL LIST OF PARTS

No.	Plate	Name
270321	18337	Rotary Take-up (large),for Machine No. 400w102
350101C	18329	Feed Driving Eccentric Fiction Gib Ad- justing Screw,Set Screw,for 270020
350107C	18342	Balance Wheel Position Screw,for 259463 and 259465
350231C	18333	Knee Lifter Rock Lever Extension Set Screw,for 228359
350231C	18333	Knee Lifter Rock Lever Knee Plate Arm Set Screw,for 228359
350231C	18333	Knee Lifter Rock Lever Knee Plate Set Screw,for 228364
350277C	18305	Feed Driving Rock Shaft Center Set Screw
350277C	18305	" Lifting Rock Shaft Center Set Screw
350277C	18329	Rotating Hook Shaft Bushing Set Screw
350411C	18330	Presser Bar Position Guide Pinch Screw, for 270063
350418C	18327	Rotary Take-up (small) Set Screw,for 270067
350435C	18332	Presser Bar Spring Screw,(pressure reg- ulating)
350442C	18330	Presser Bar Lifter Hinge Screw
350445F	18330	Needle Set Screw,for 270302
350457C	18331	Tension Stud,for 270279 and 270284



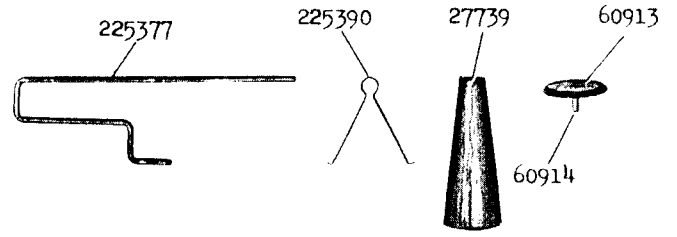
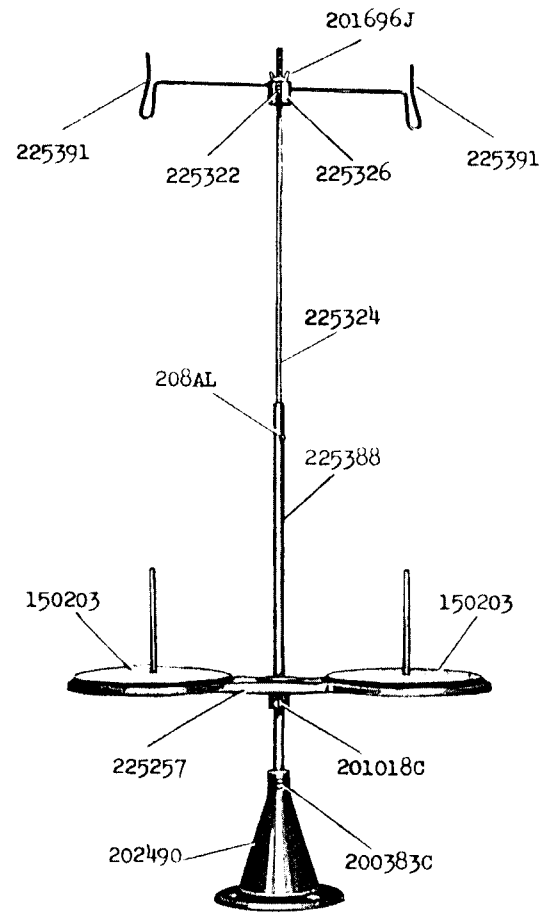
Genuine Singer Needles should be used  
in Singer Machines.  
These Needles and their Containers  
are marked with the  
Company's Trade Mark "SIMANCO." 1

Needles in Containers marked  
"For Singer Machines"  
are not Singer made needles. 2

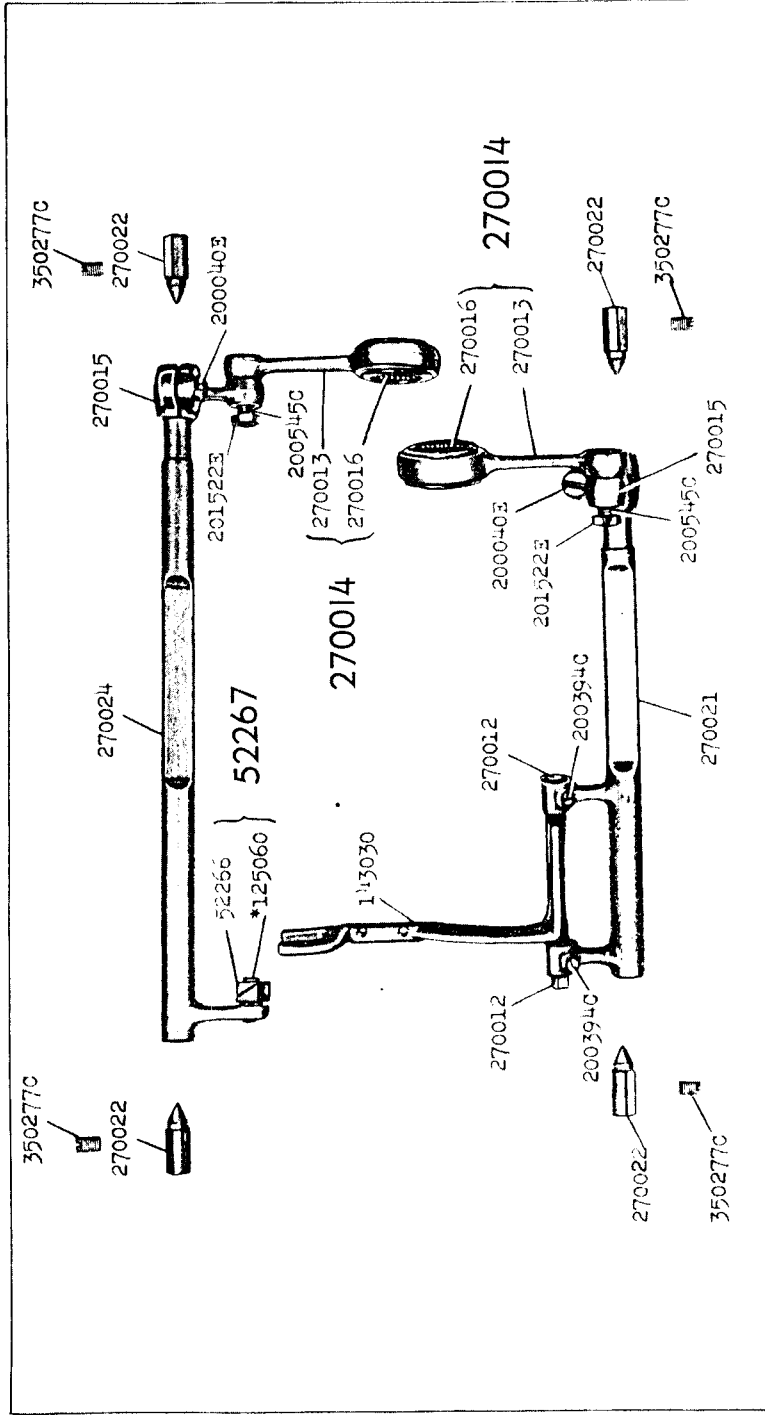
# ILLUSTRATIONS OF PARTS

17900 - 1/6

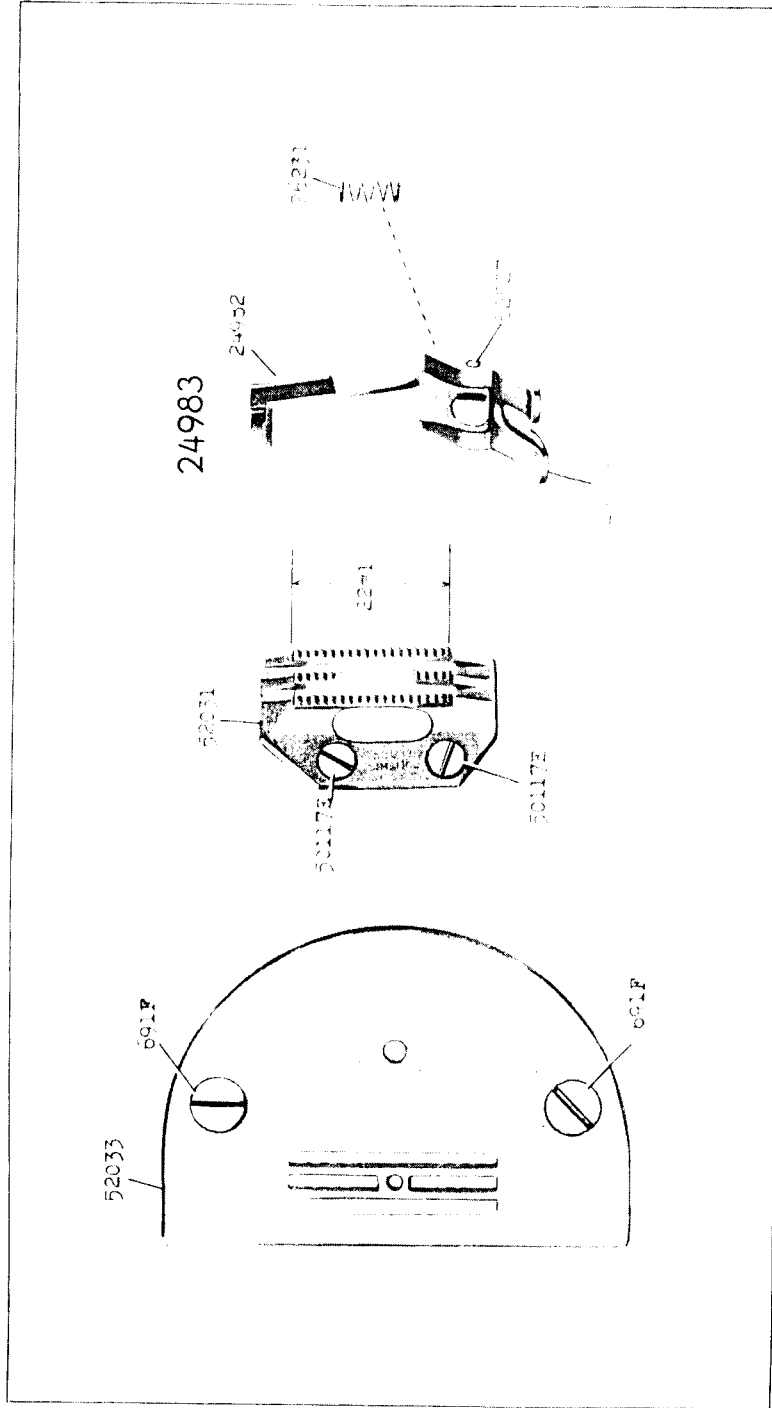
225258



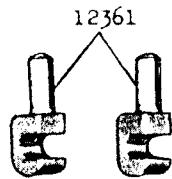
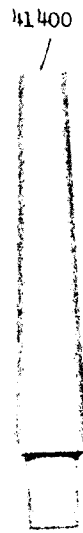
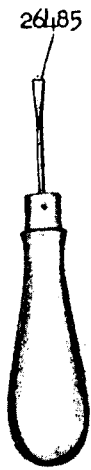
18305 - 3/8



18309

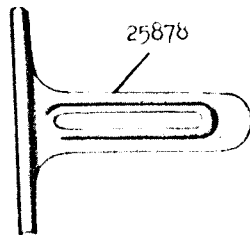
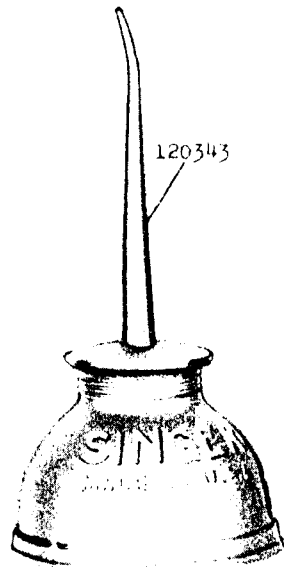


18310 - 1/2

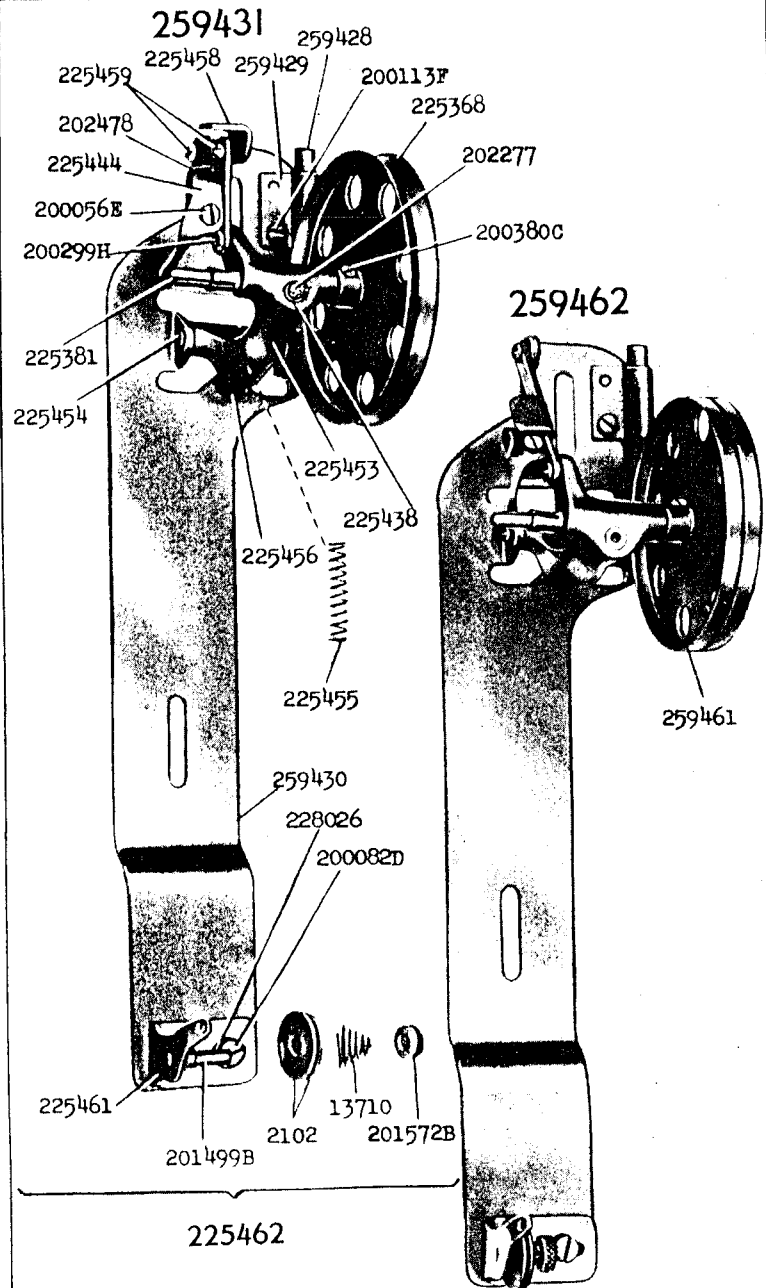


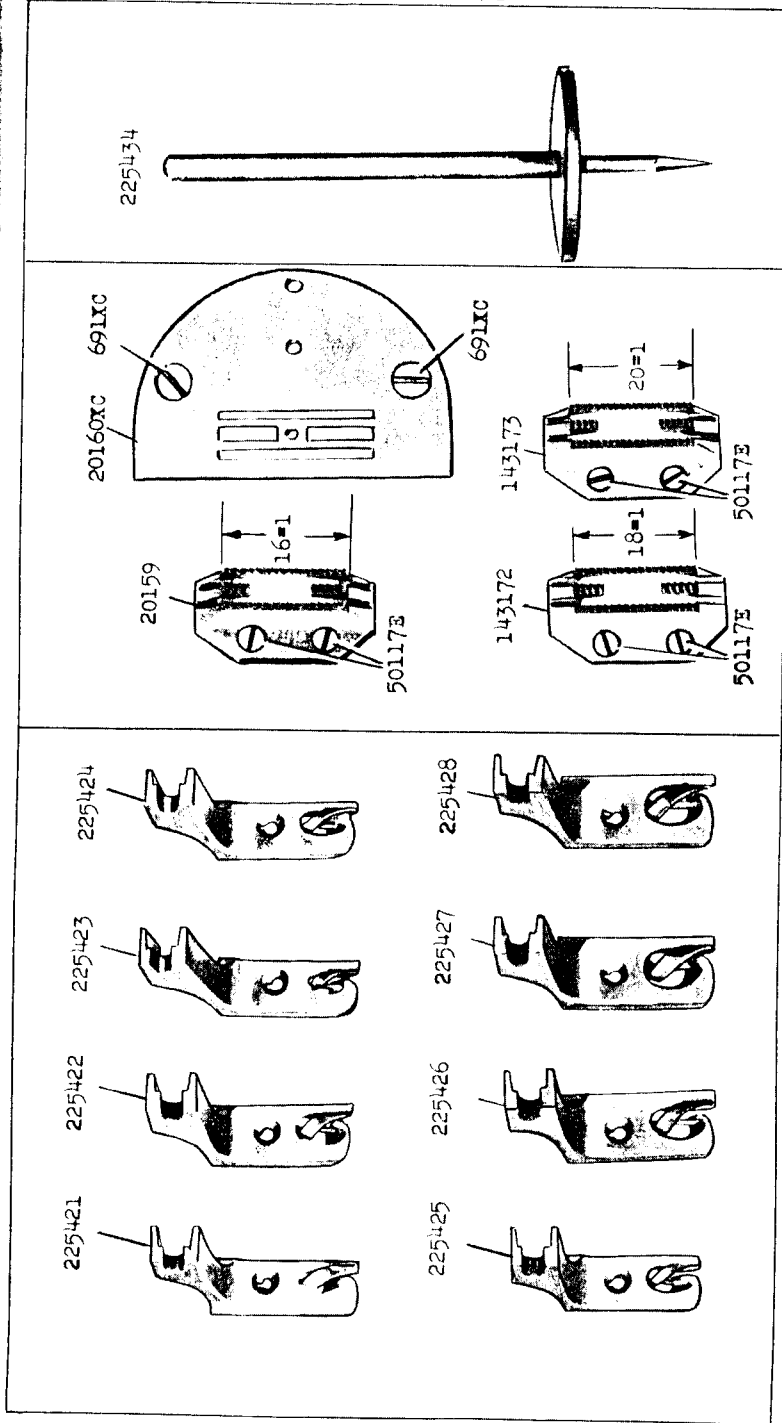
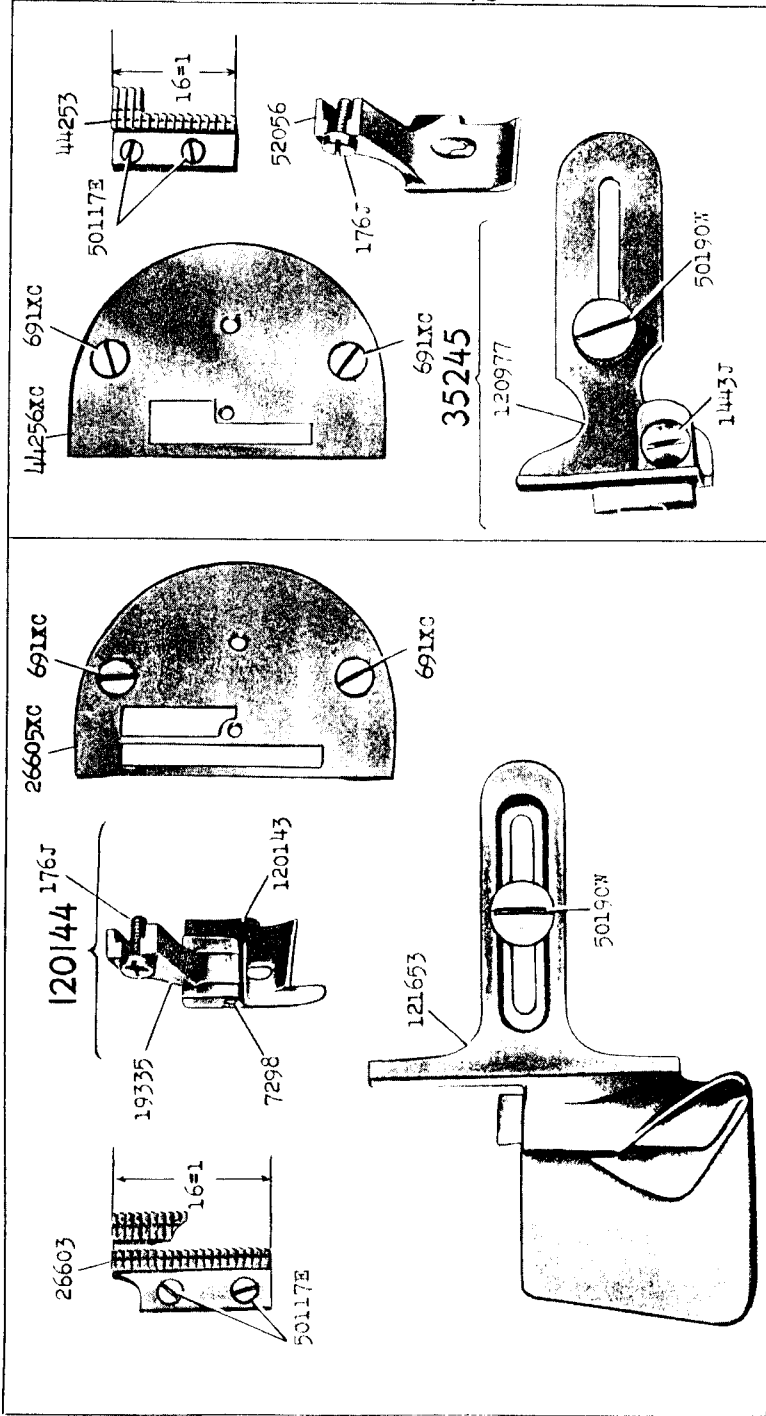
120342

120343



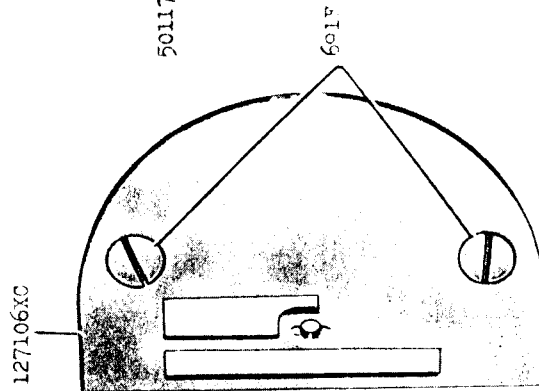
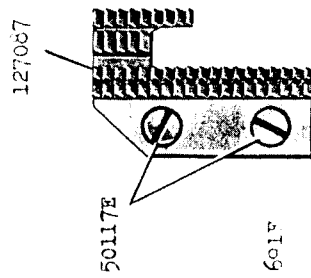
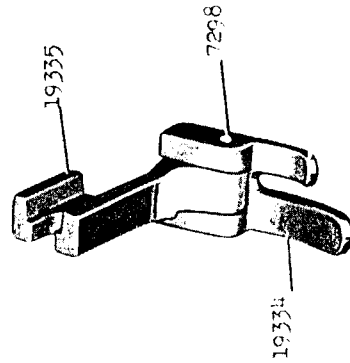
18312 - 3/8





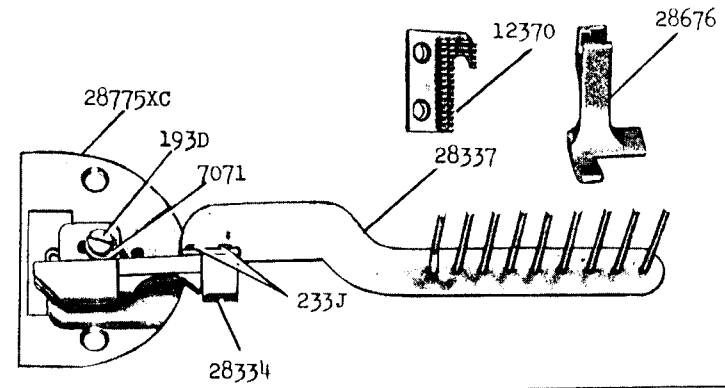
18319

19336

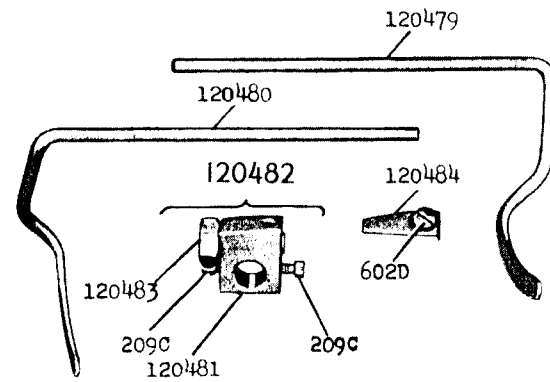


18320 - 1/2

28776



120485



270093

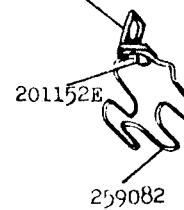


259502

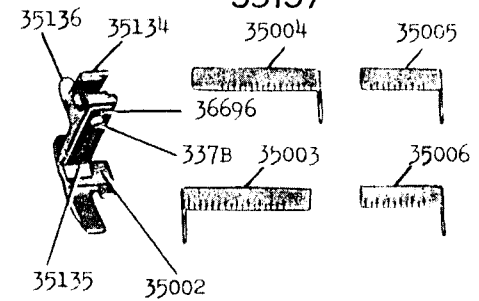


259084

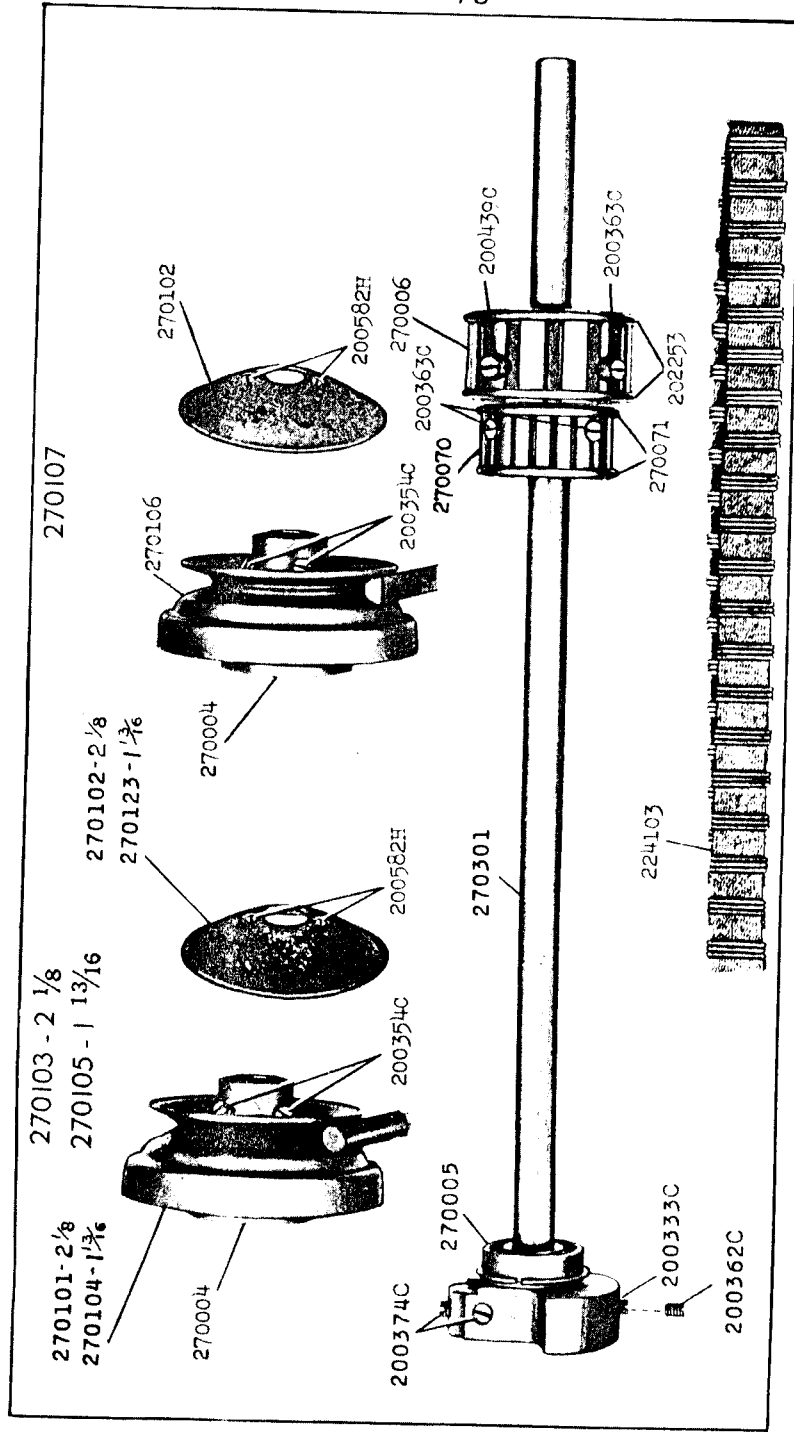
259083



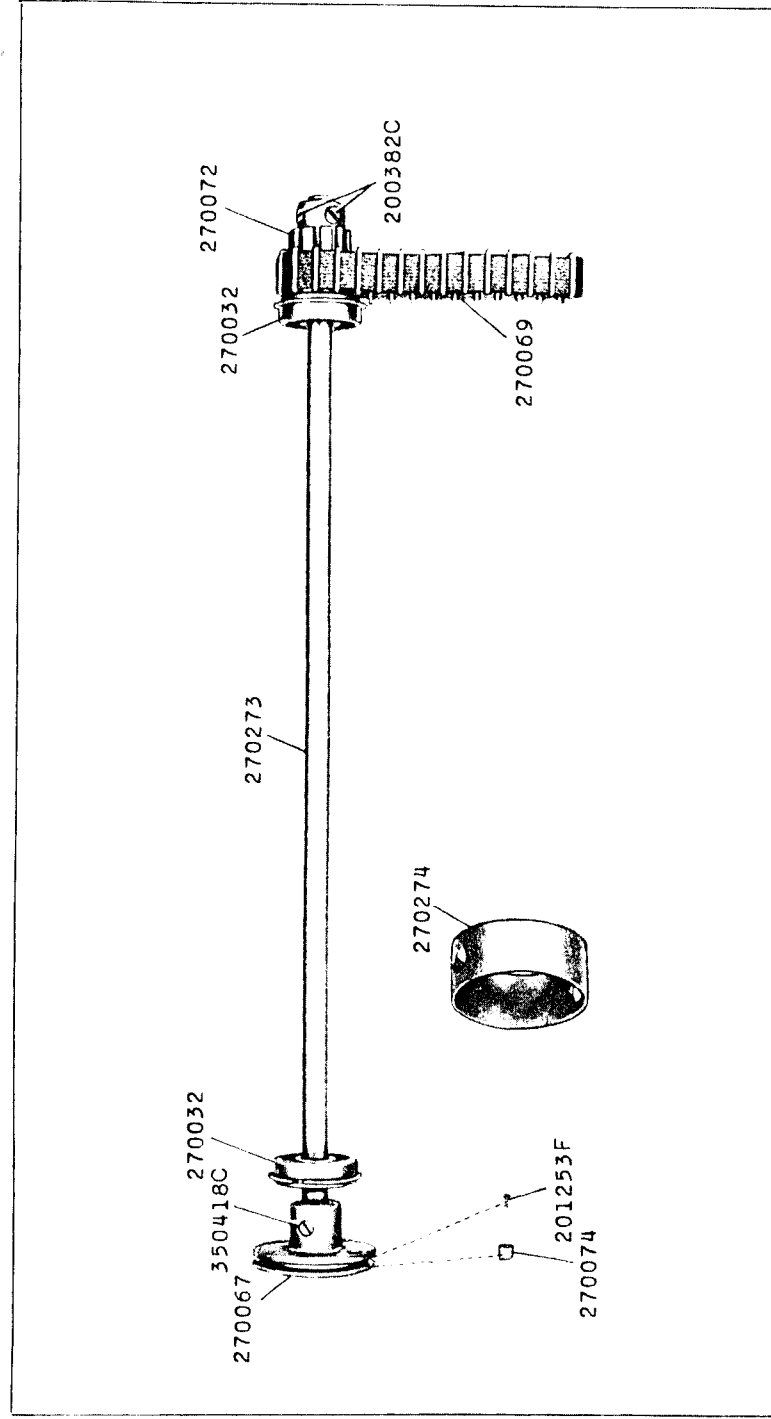
35137



18326 - 3/8

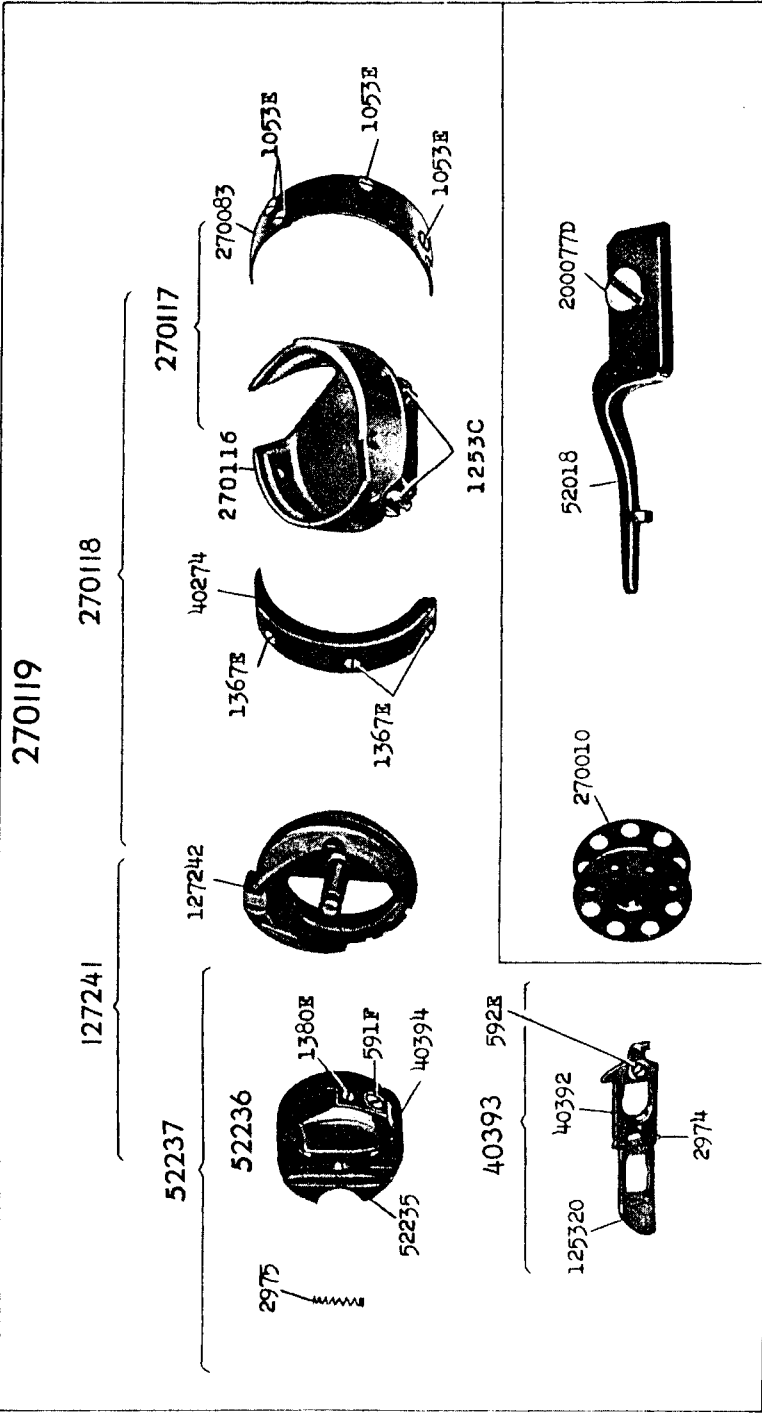


18327 - 3/8

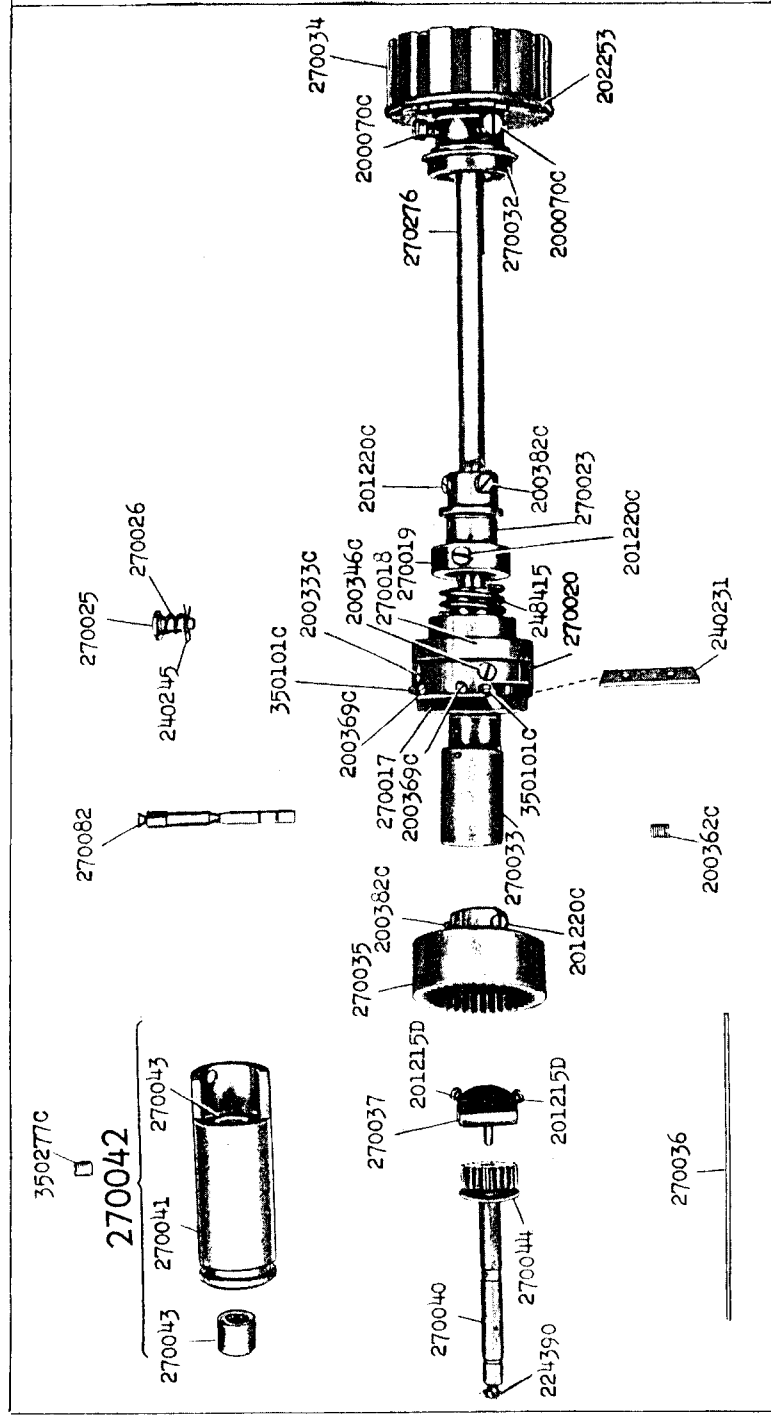




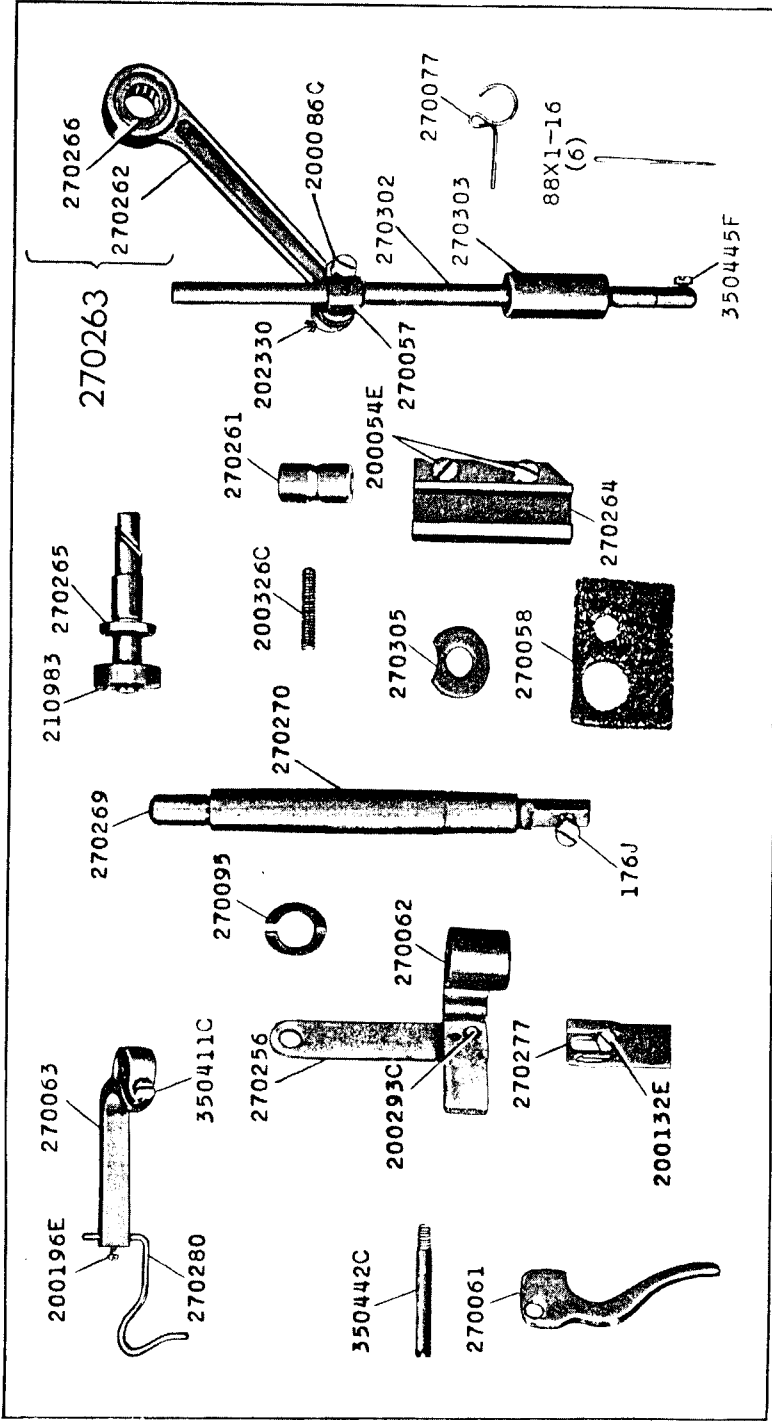
18328 - 3/4



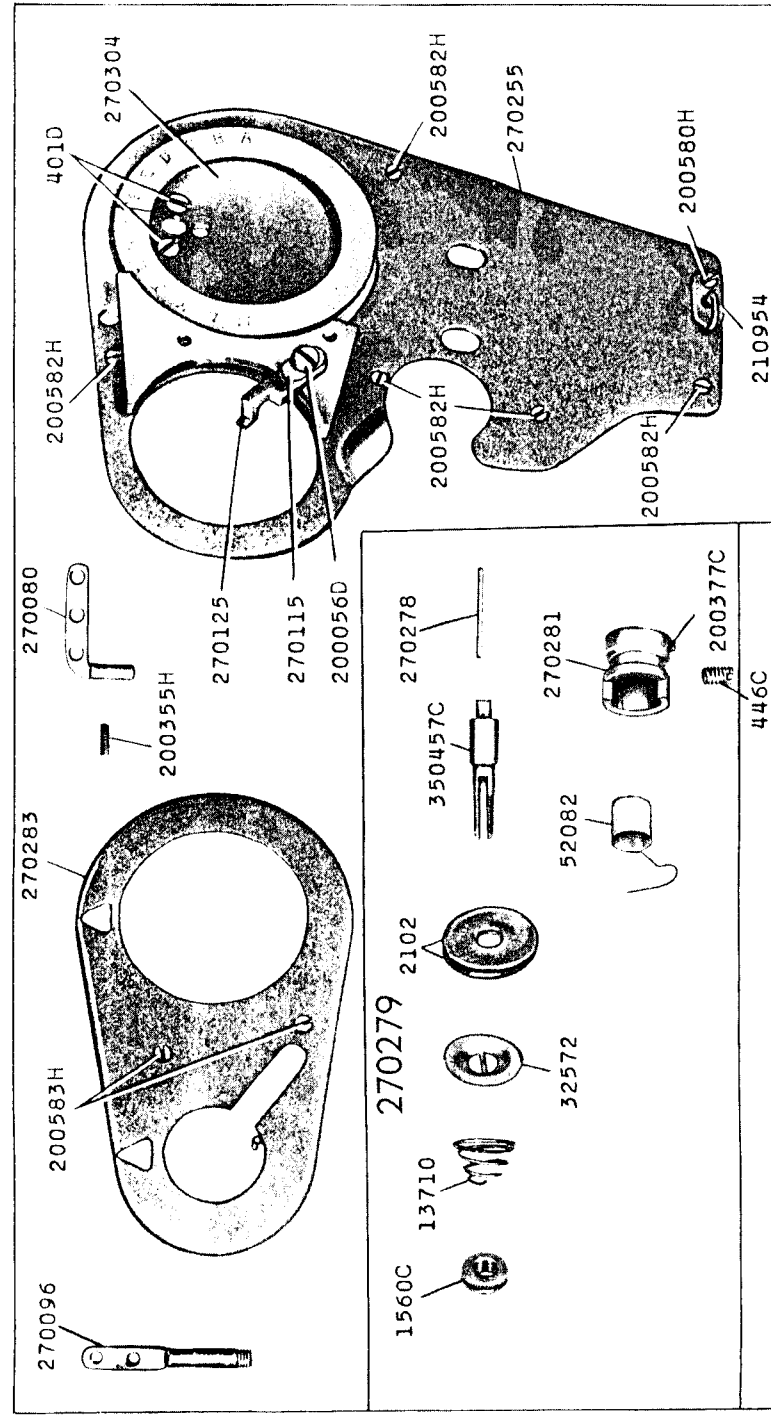
18329 - 3/8



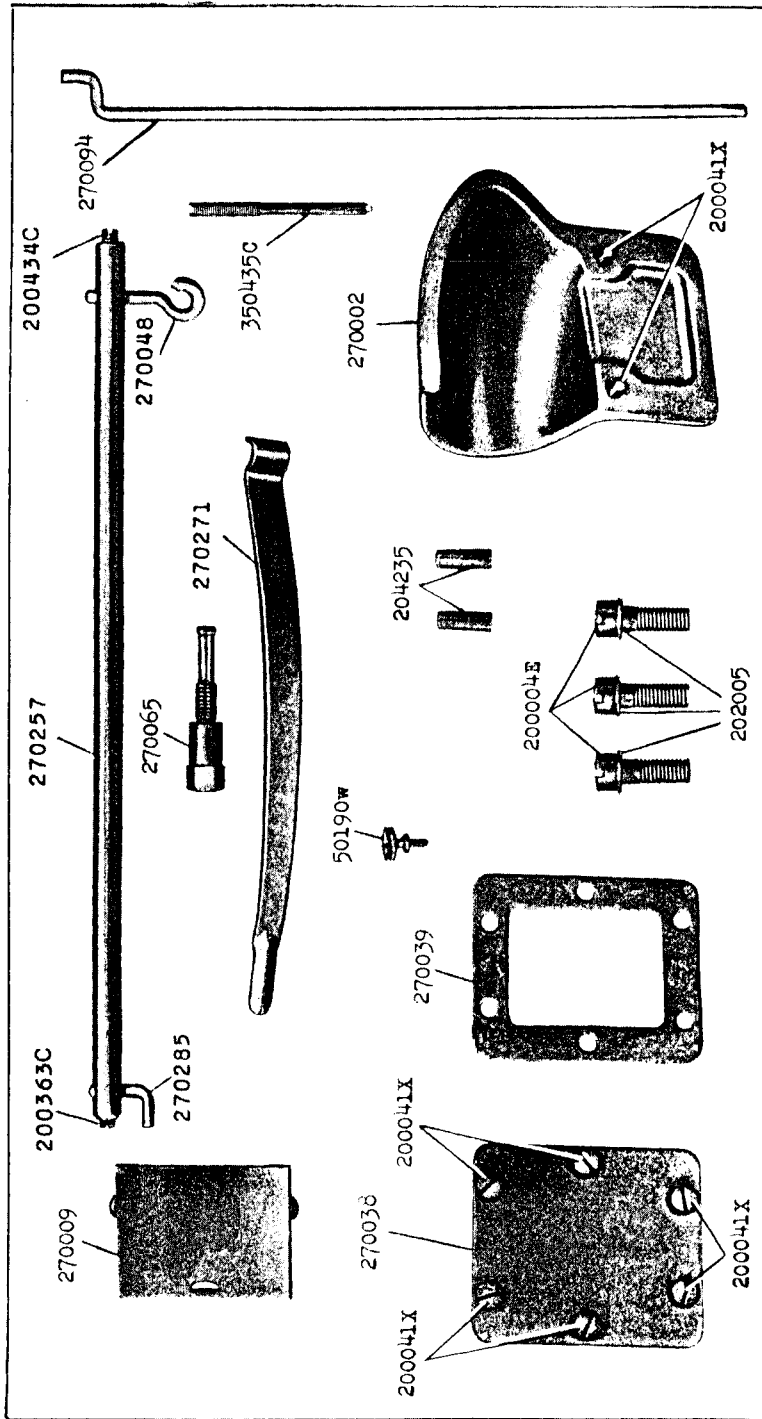
18330 - 1/2



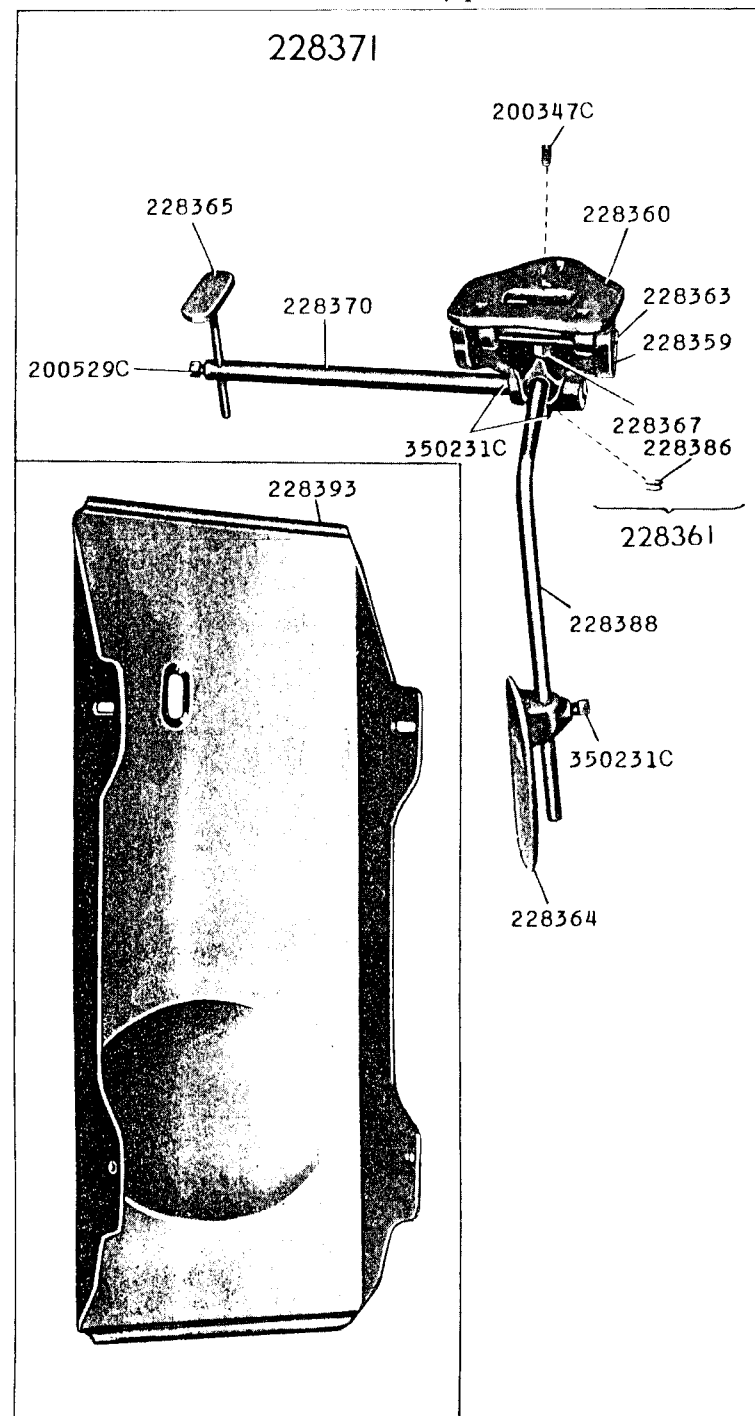
18331 - 1/2

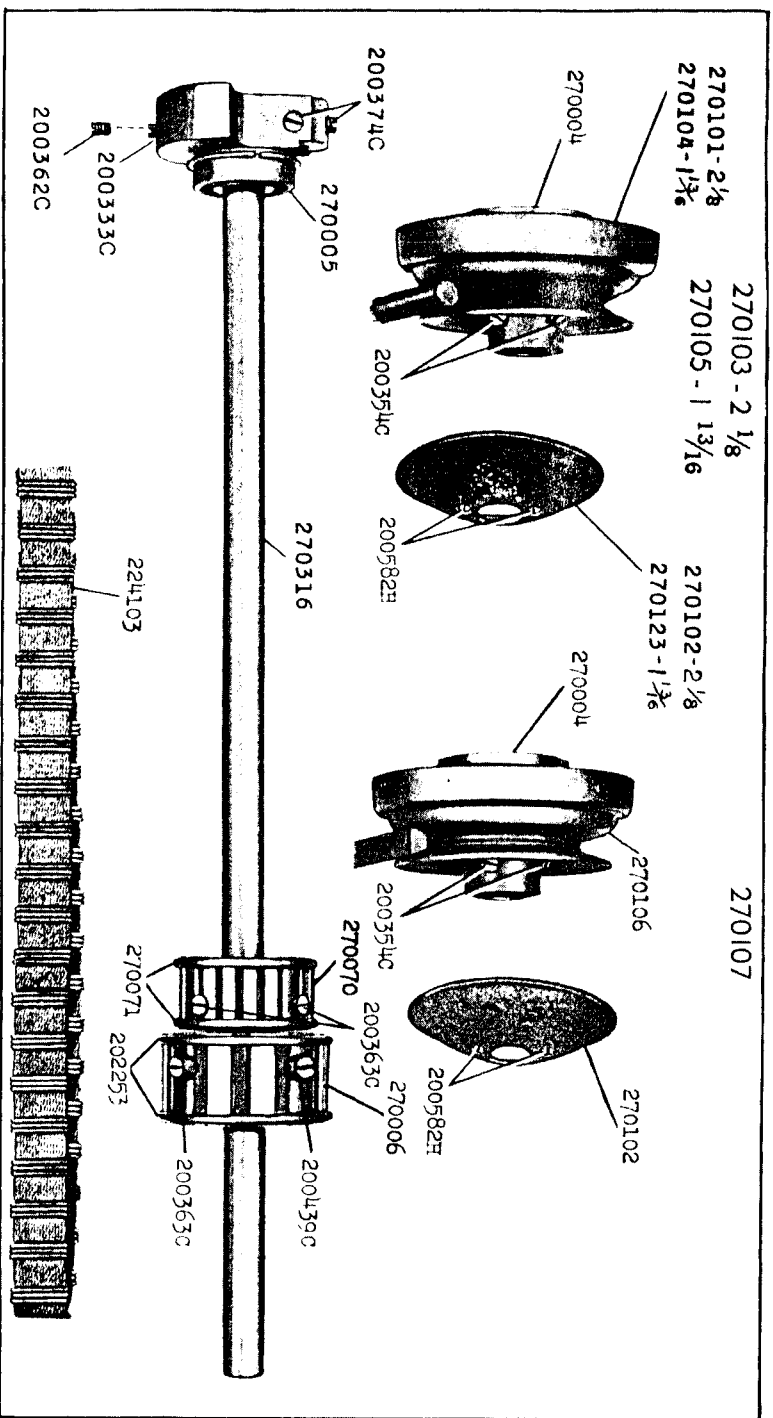


18332 - 3/8

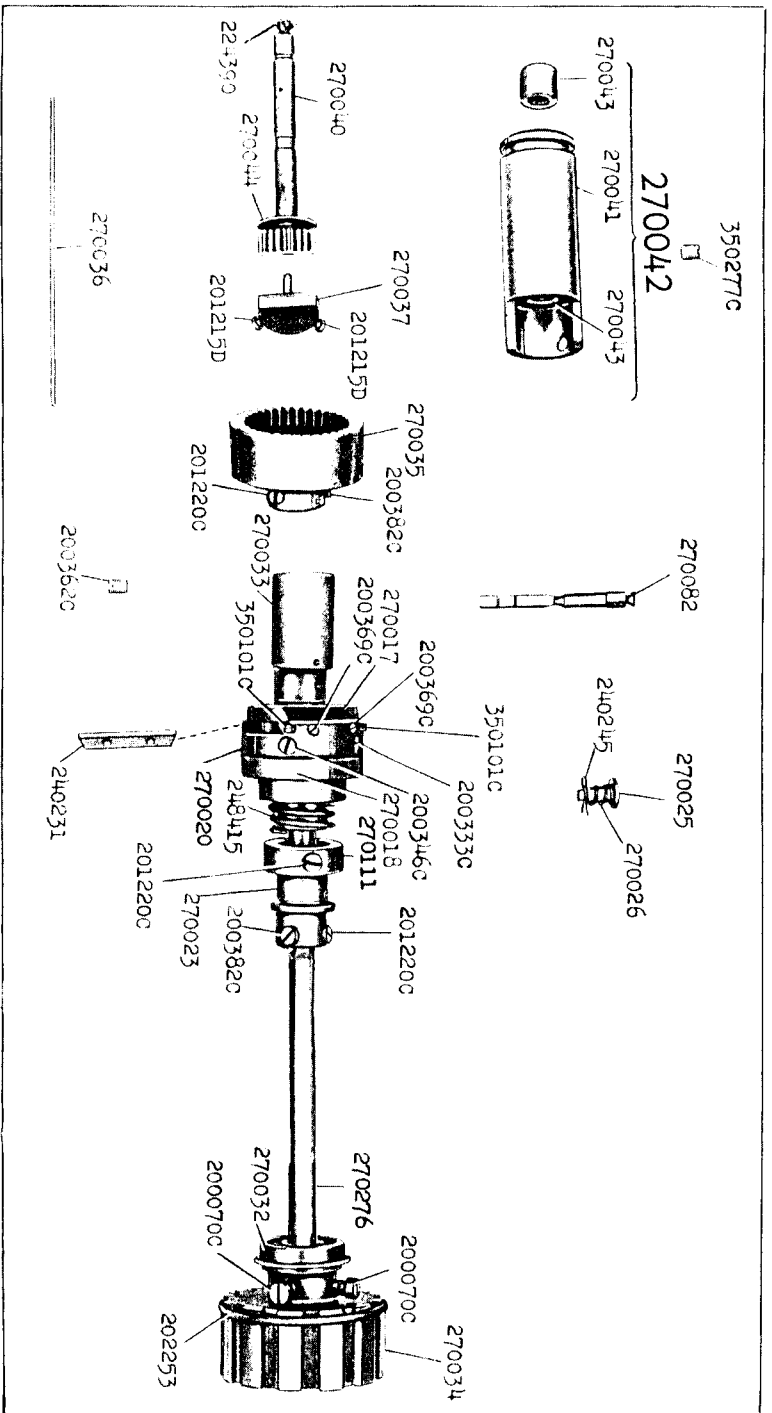


18333 - 1/4

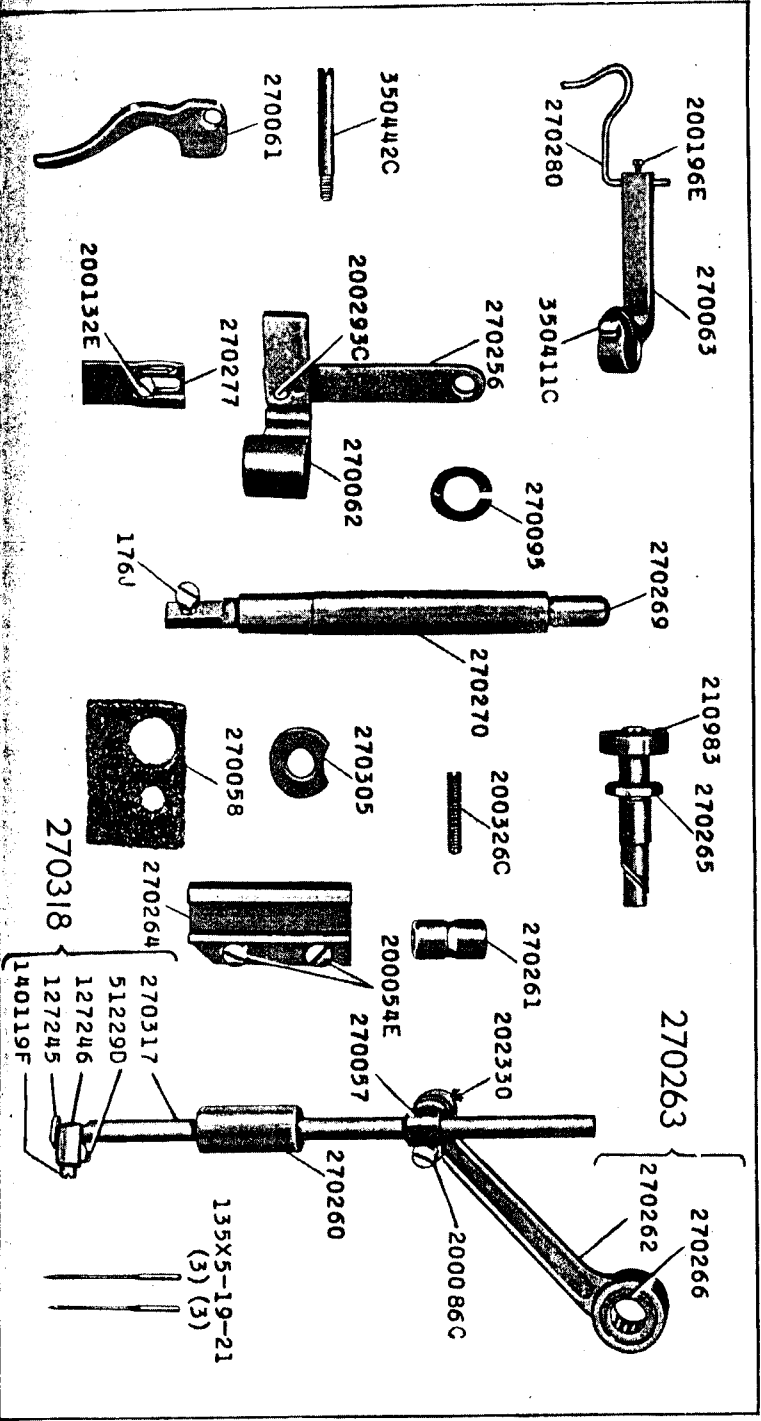




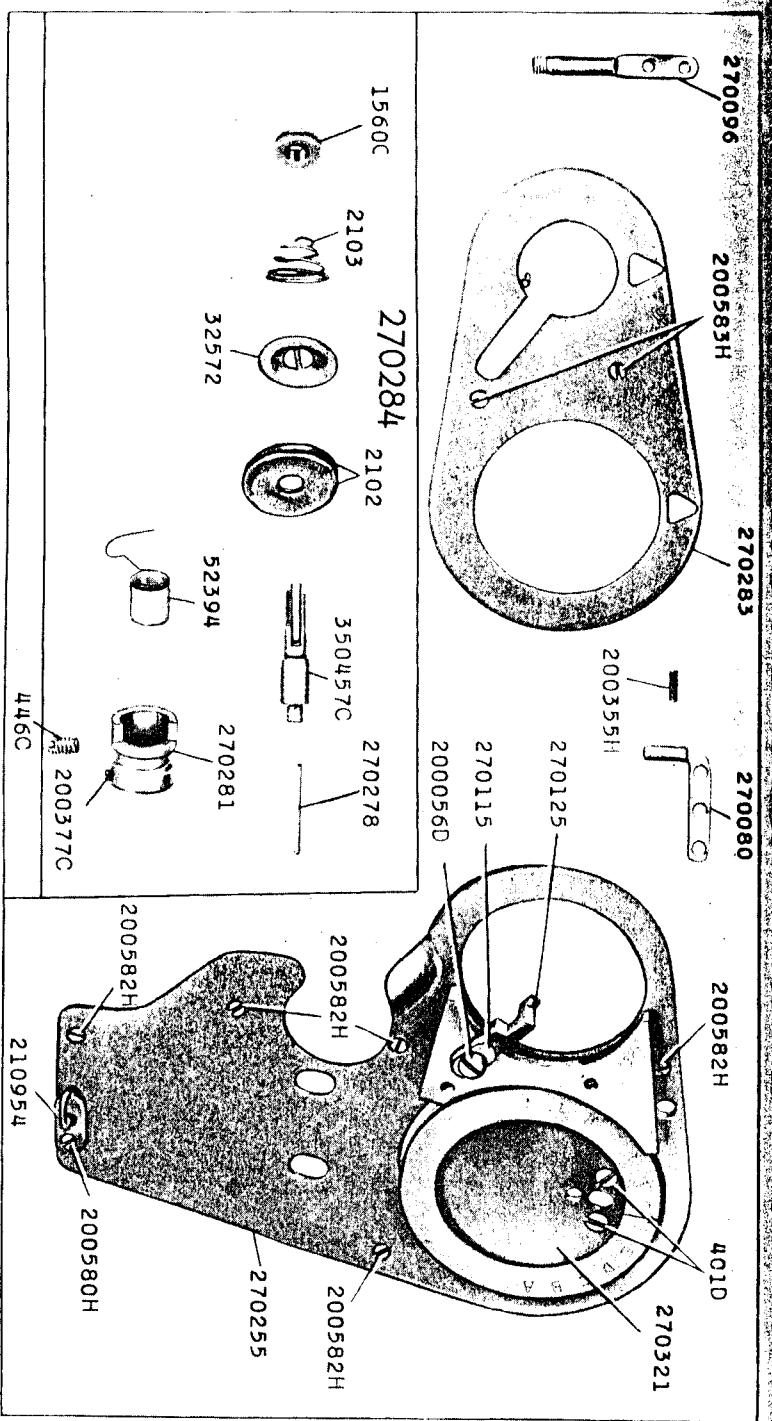
18334 - 3/8



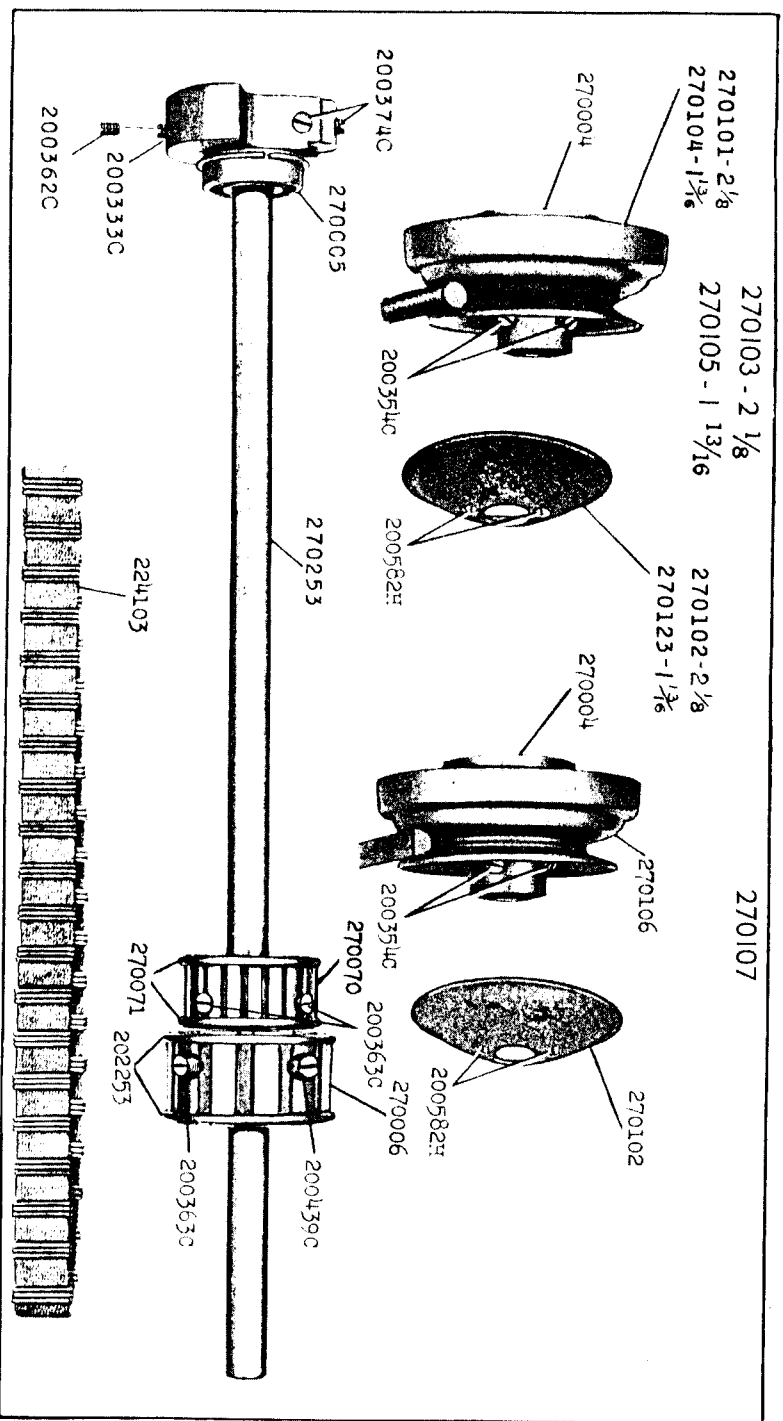
18335 - 3/8



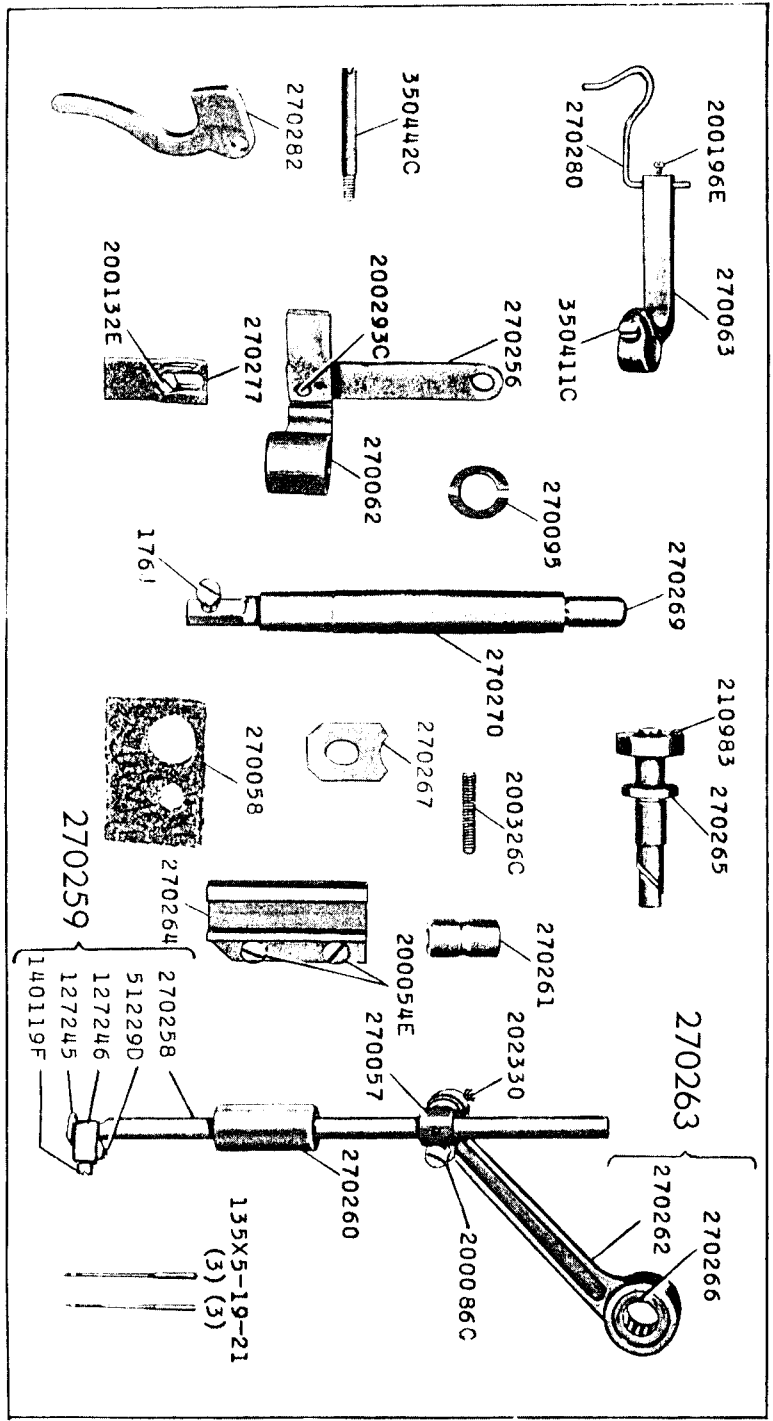
18336 - 1/2



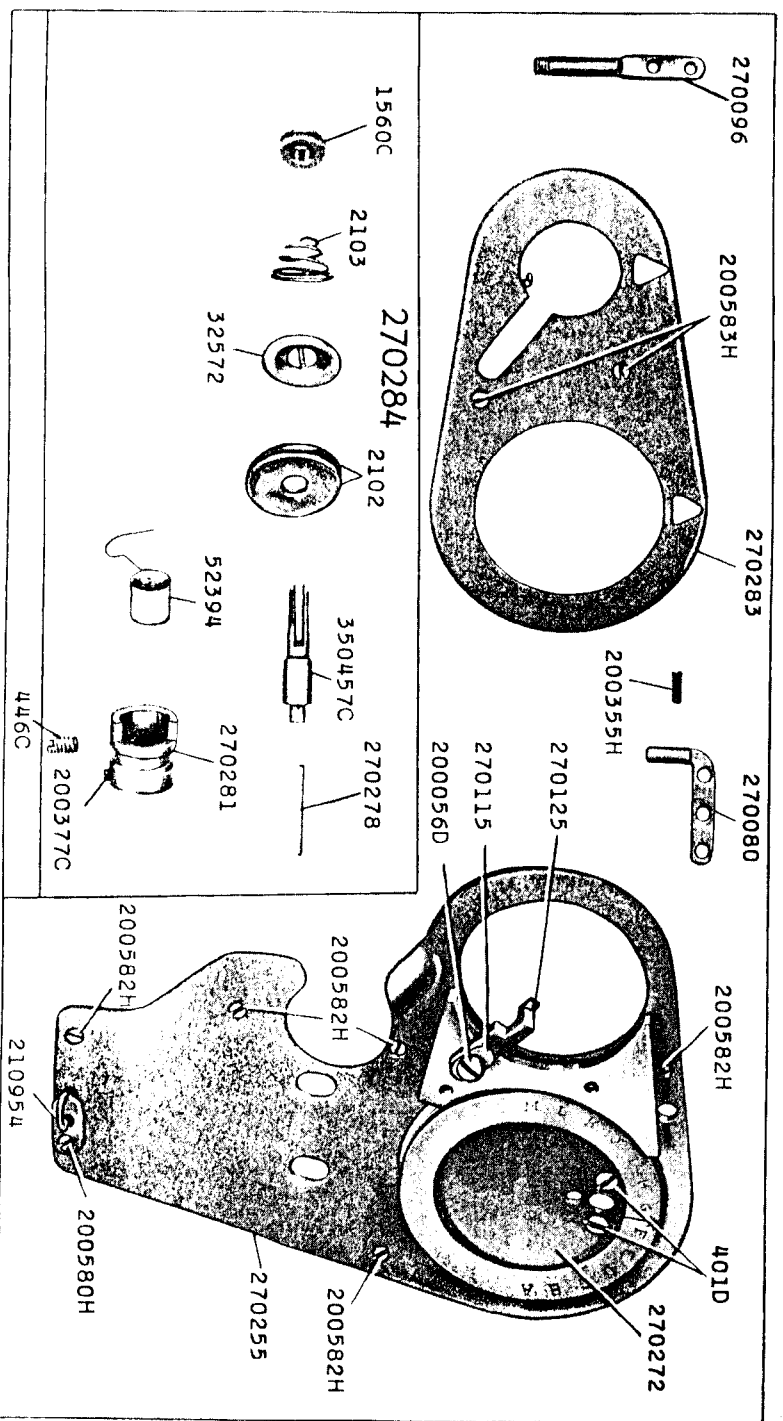
18337 - 1/2



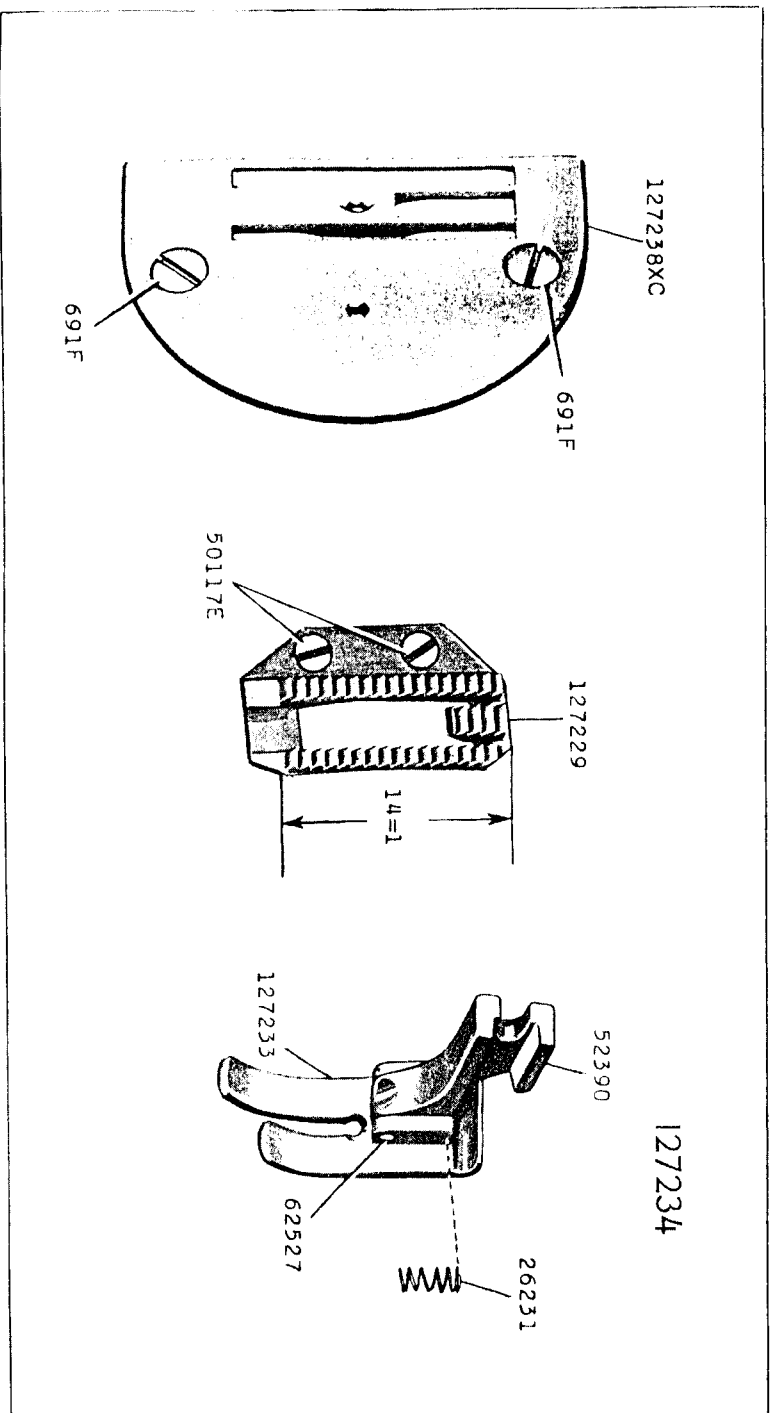
18338 - 3/8



18339 - 1/2

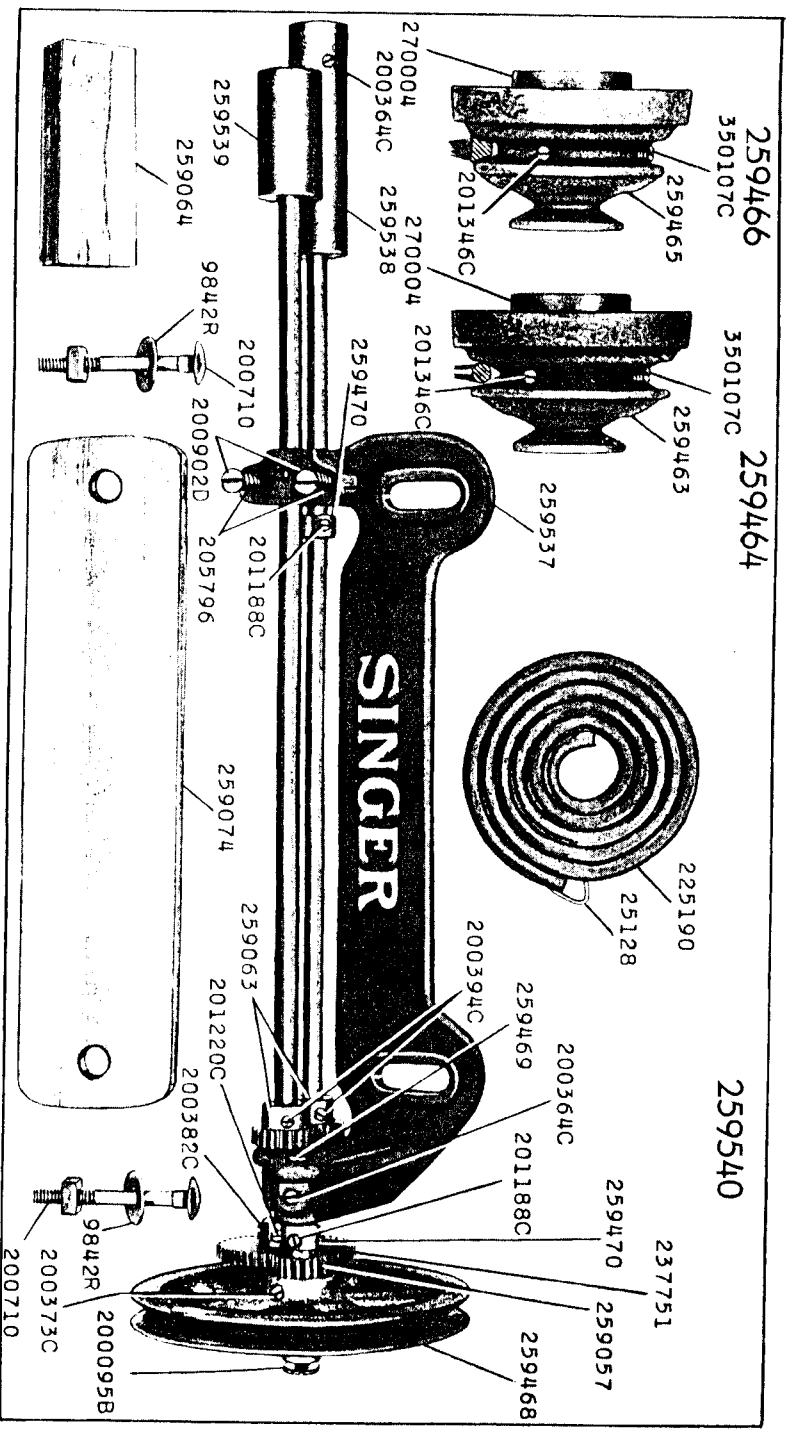


18340 - 1/2

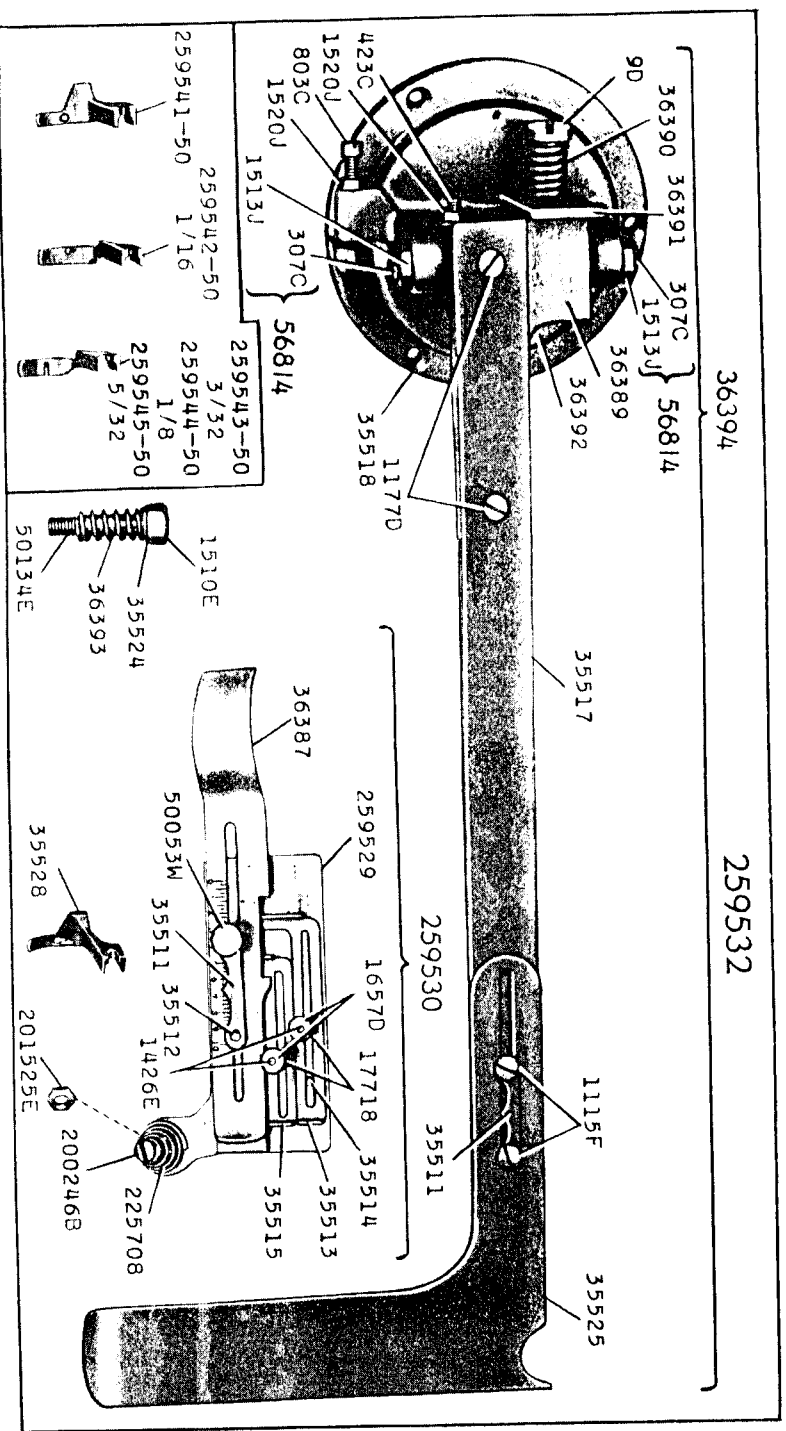


18341

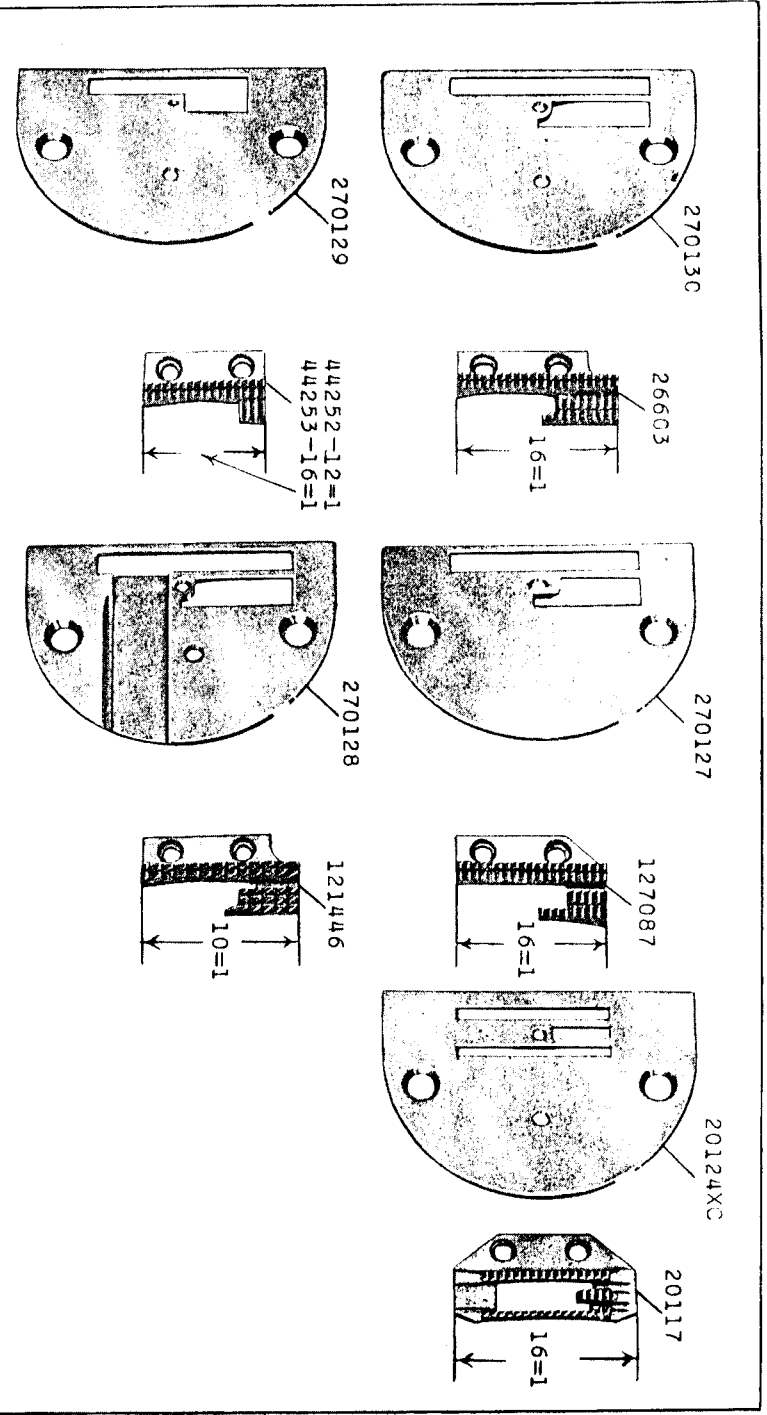
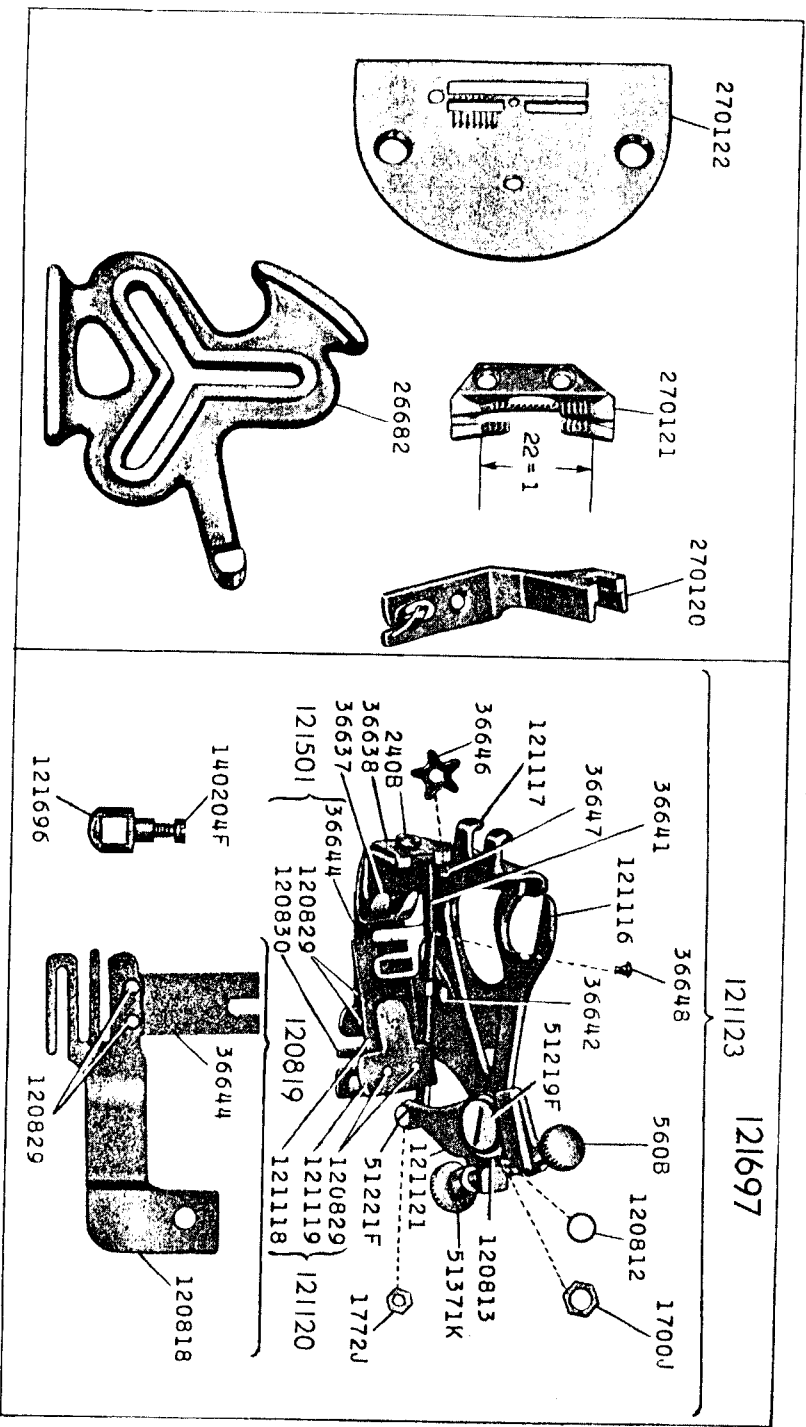


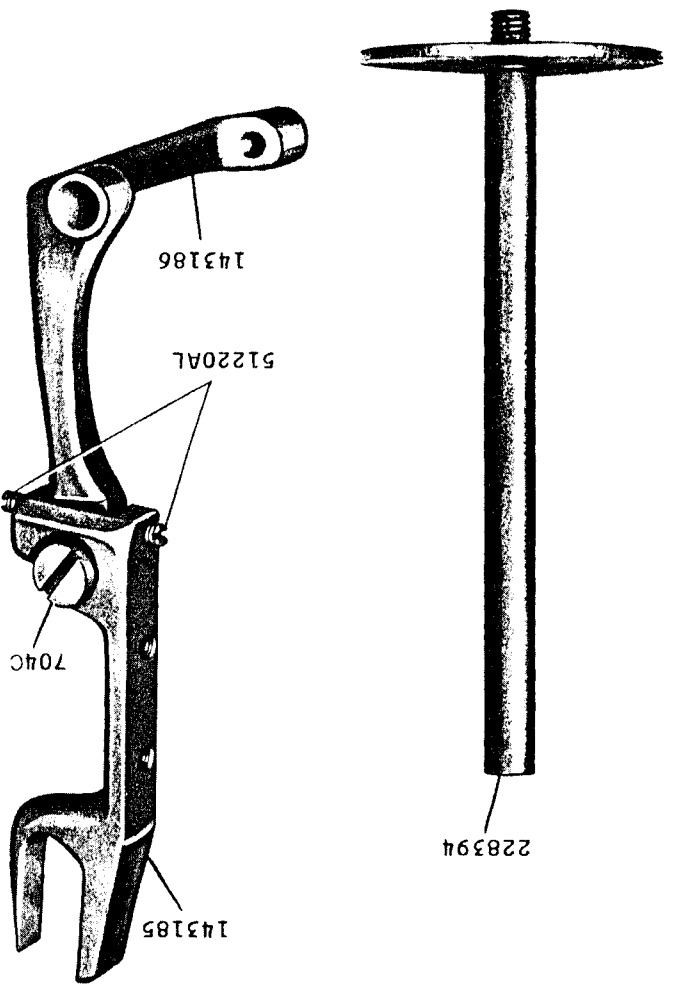


18342 - 1/3



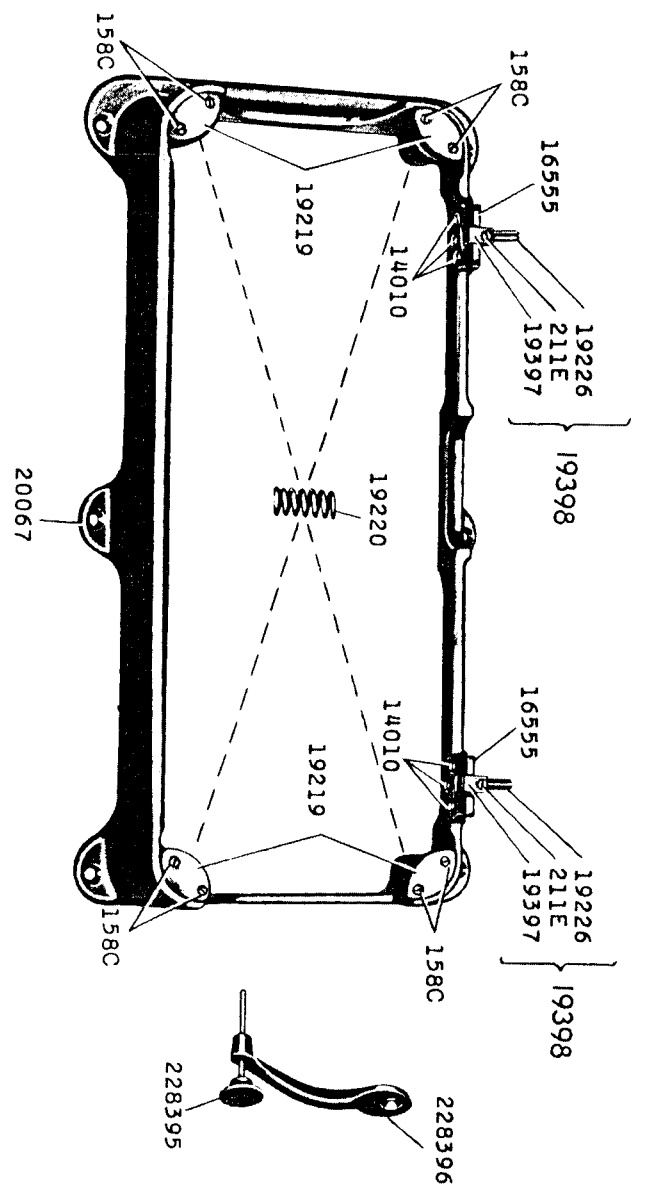
18343 - 1/3



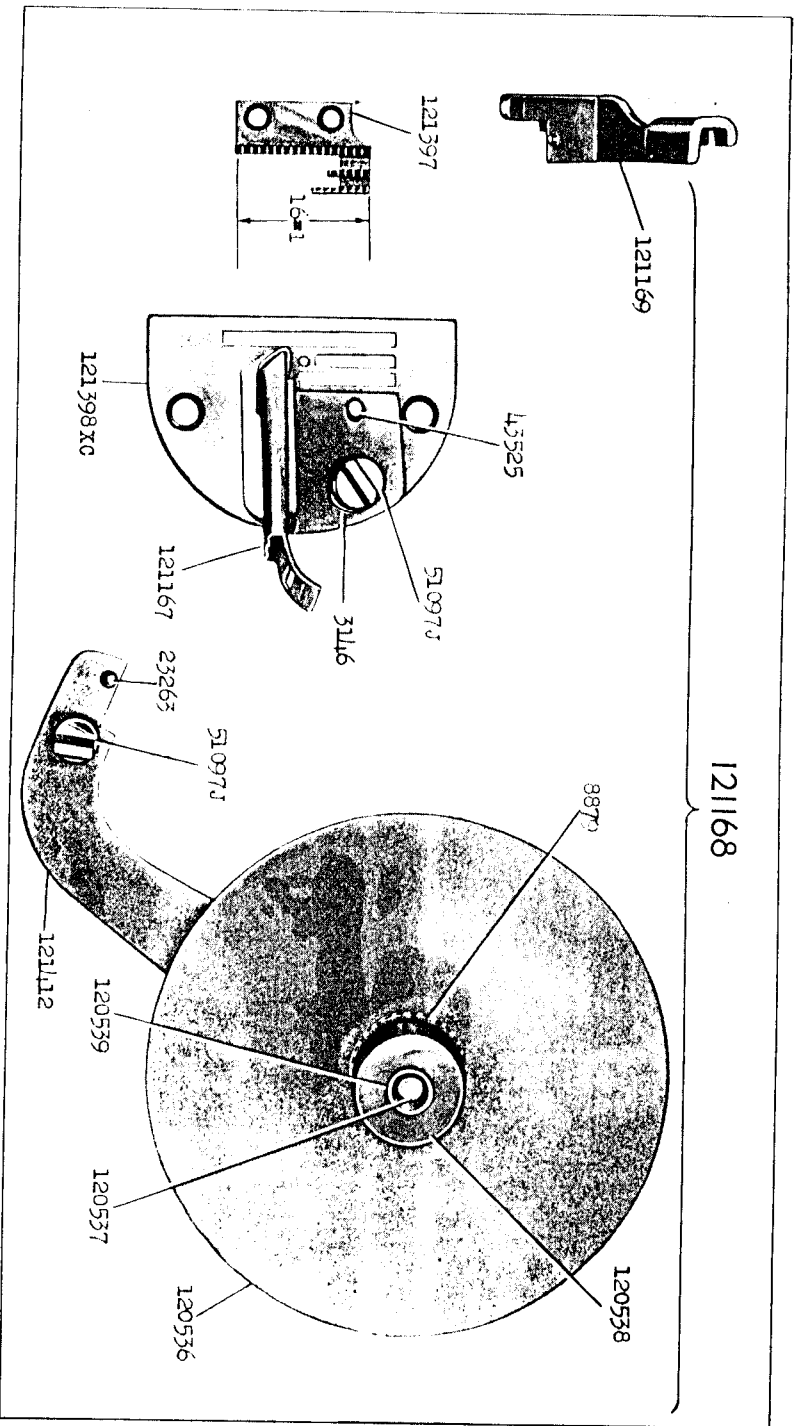


143187

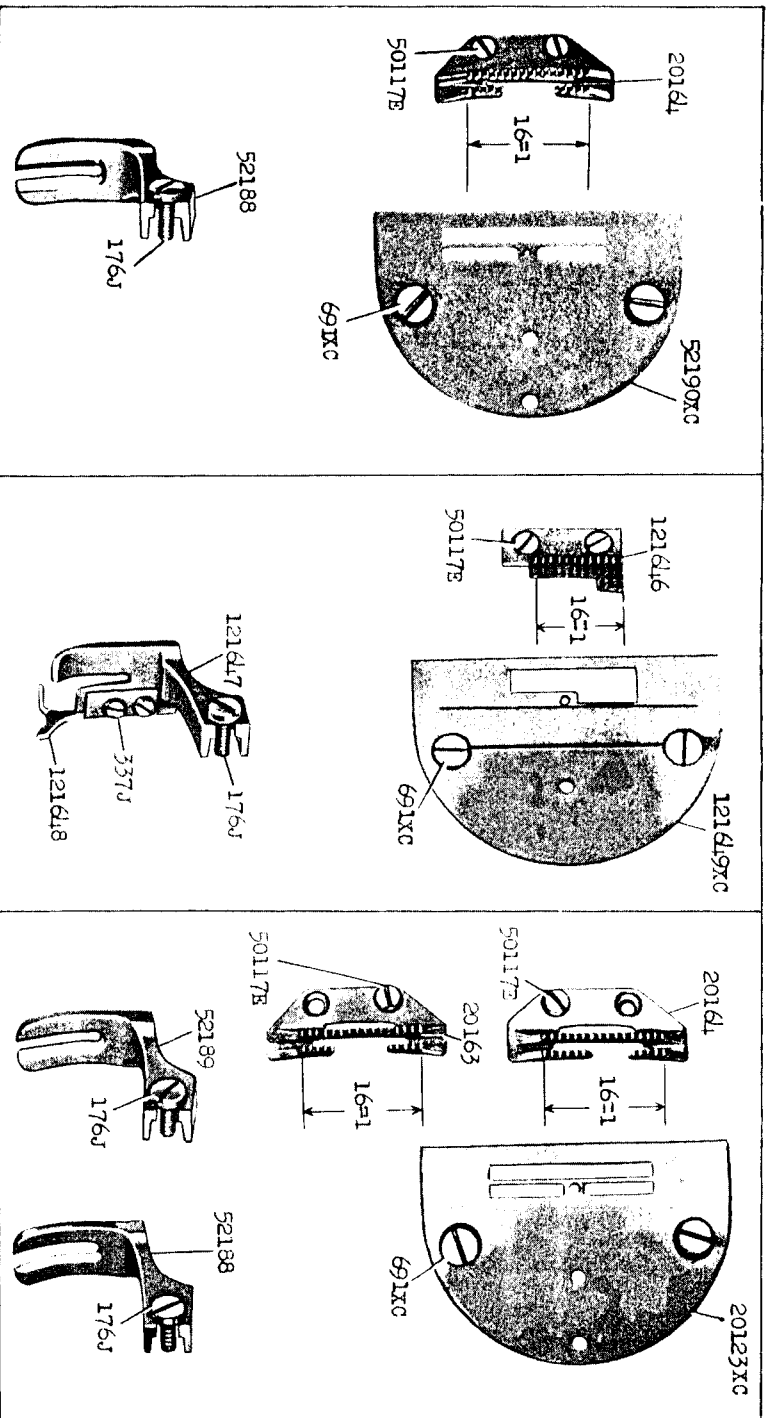
18347



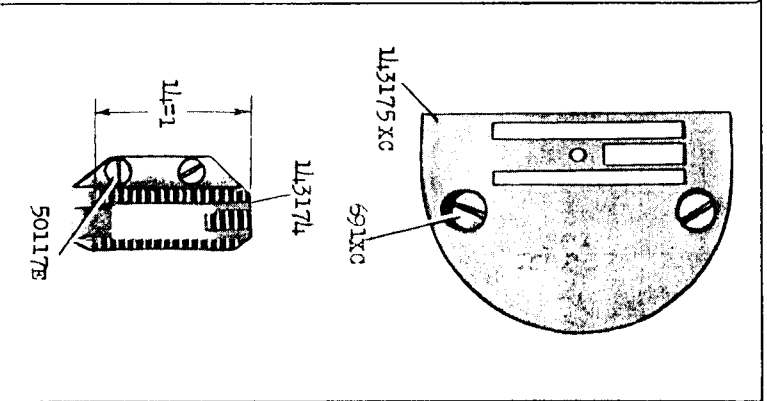
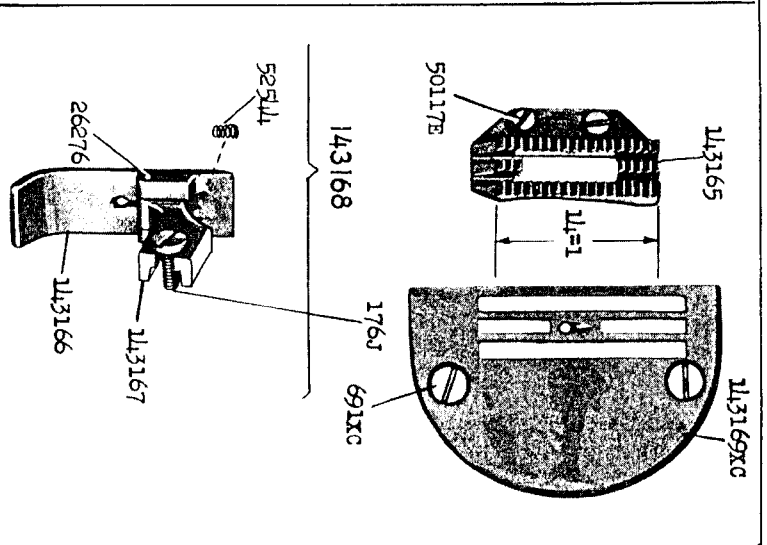
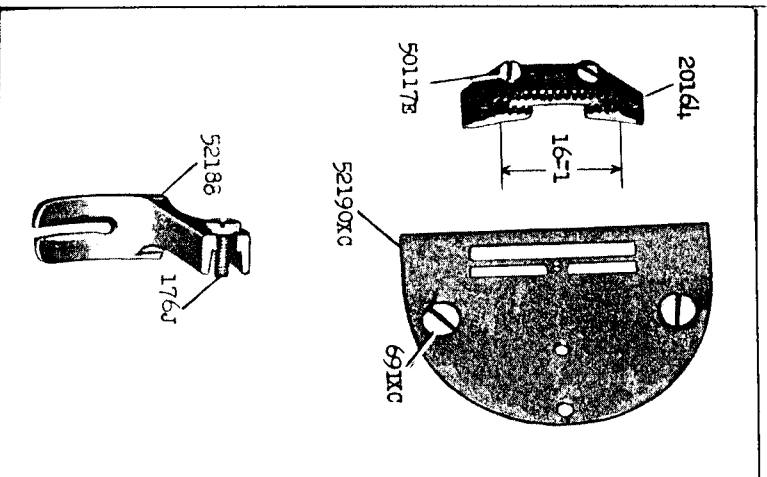
18346 - 1/4



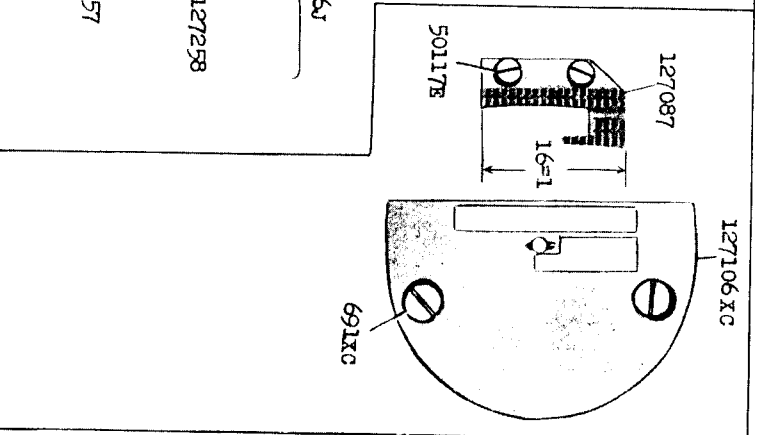
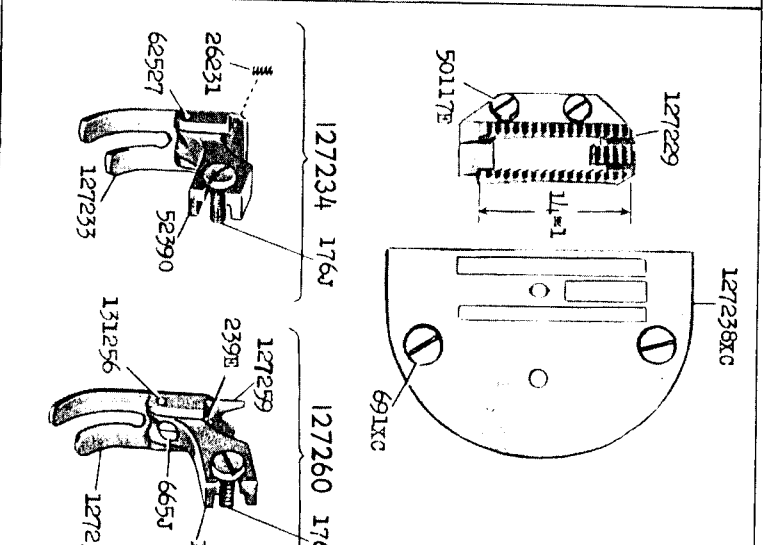
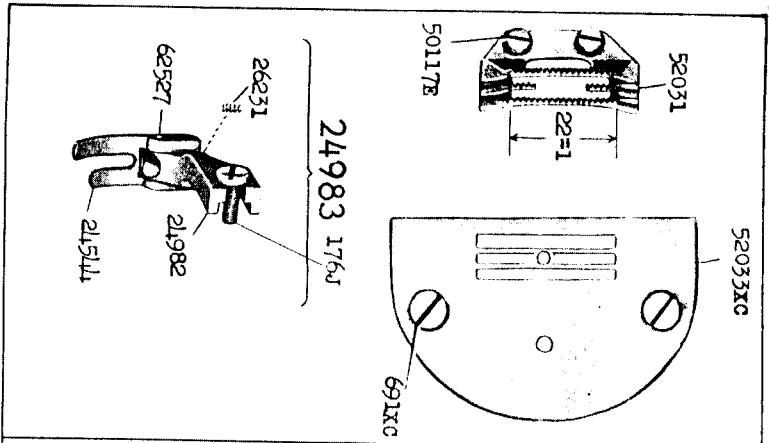
22919 - 2/3



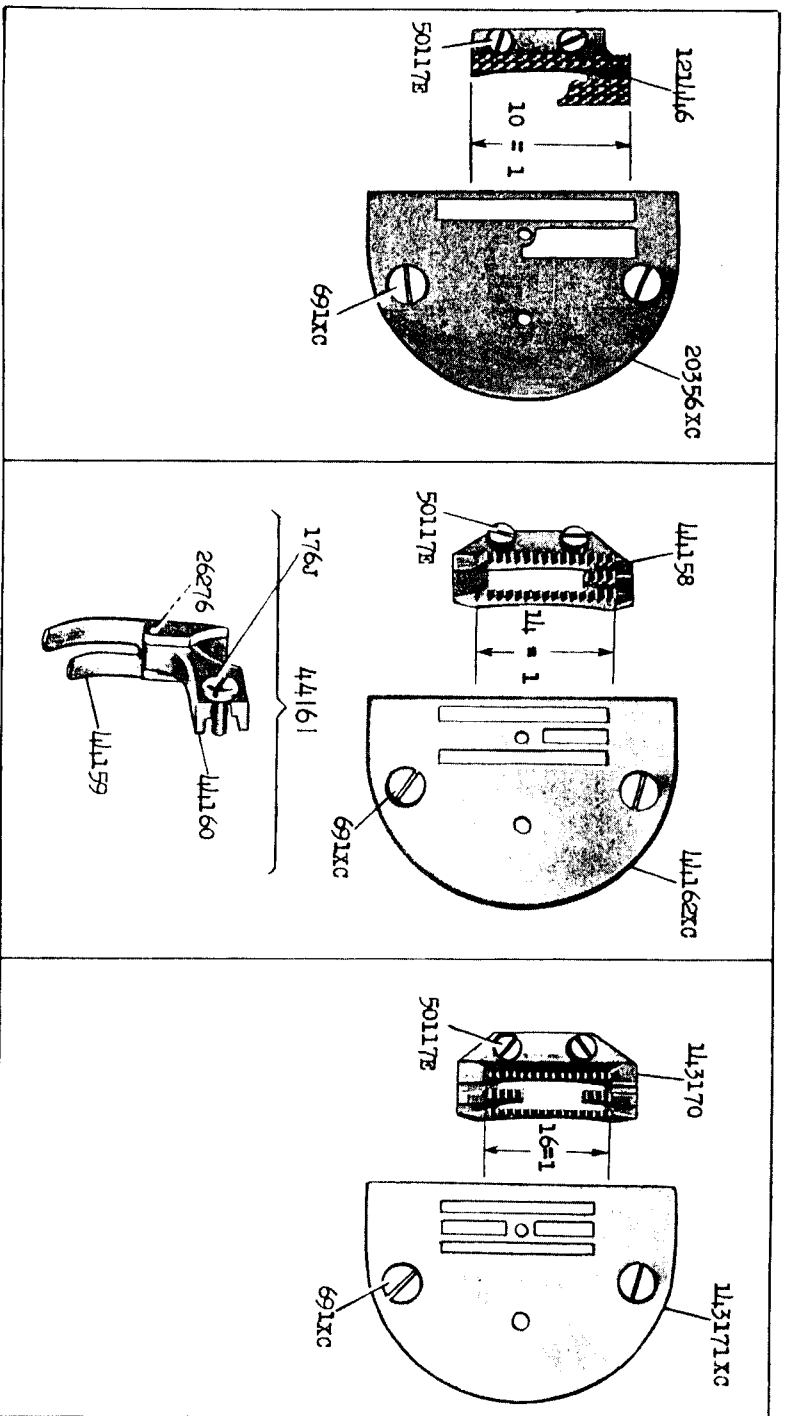
23219 - 2/3



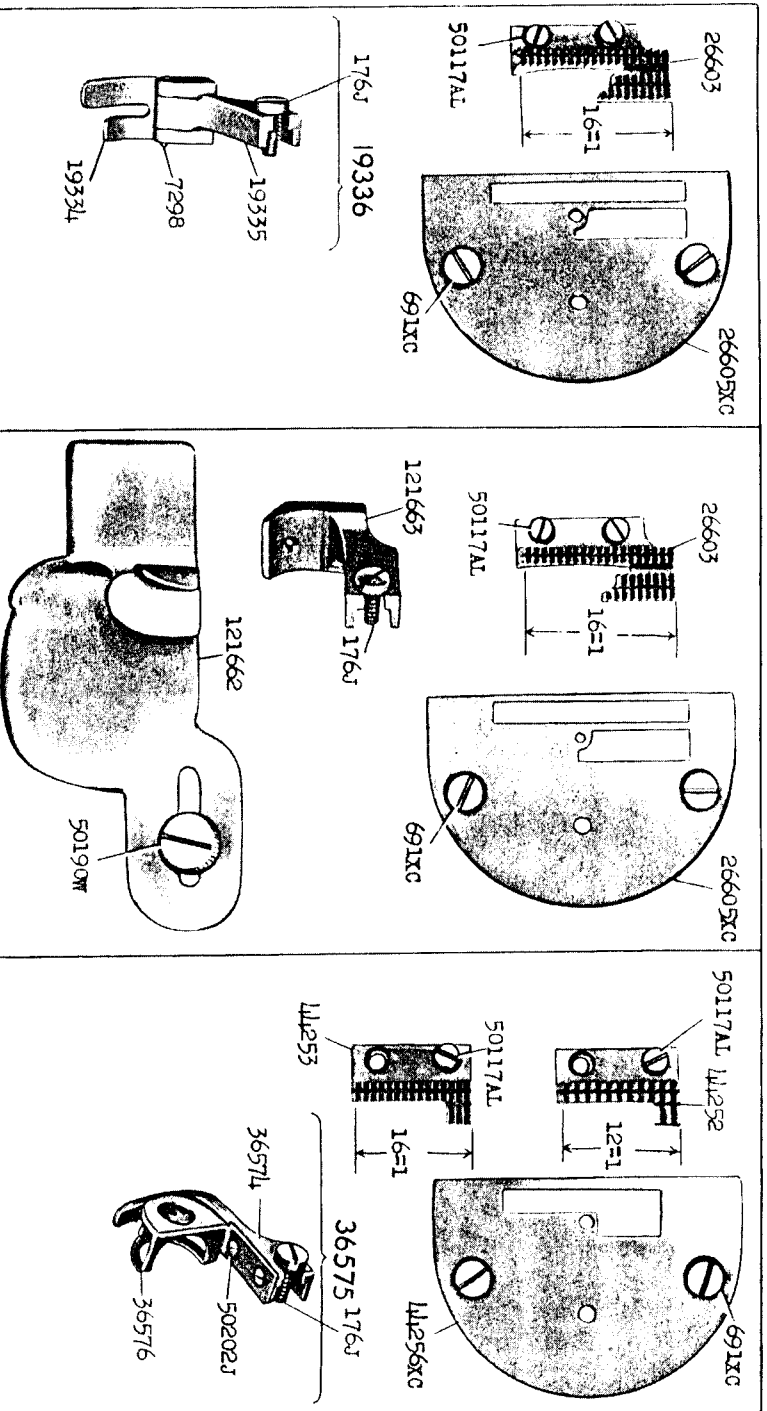
23220 - 2/3



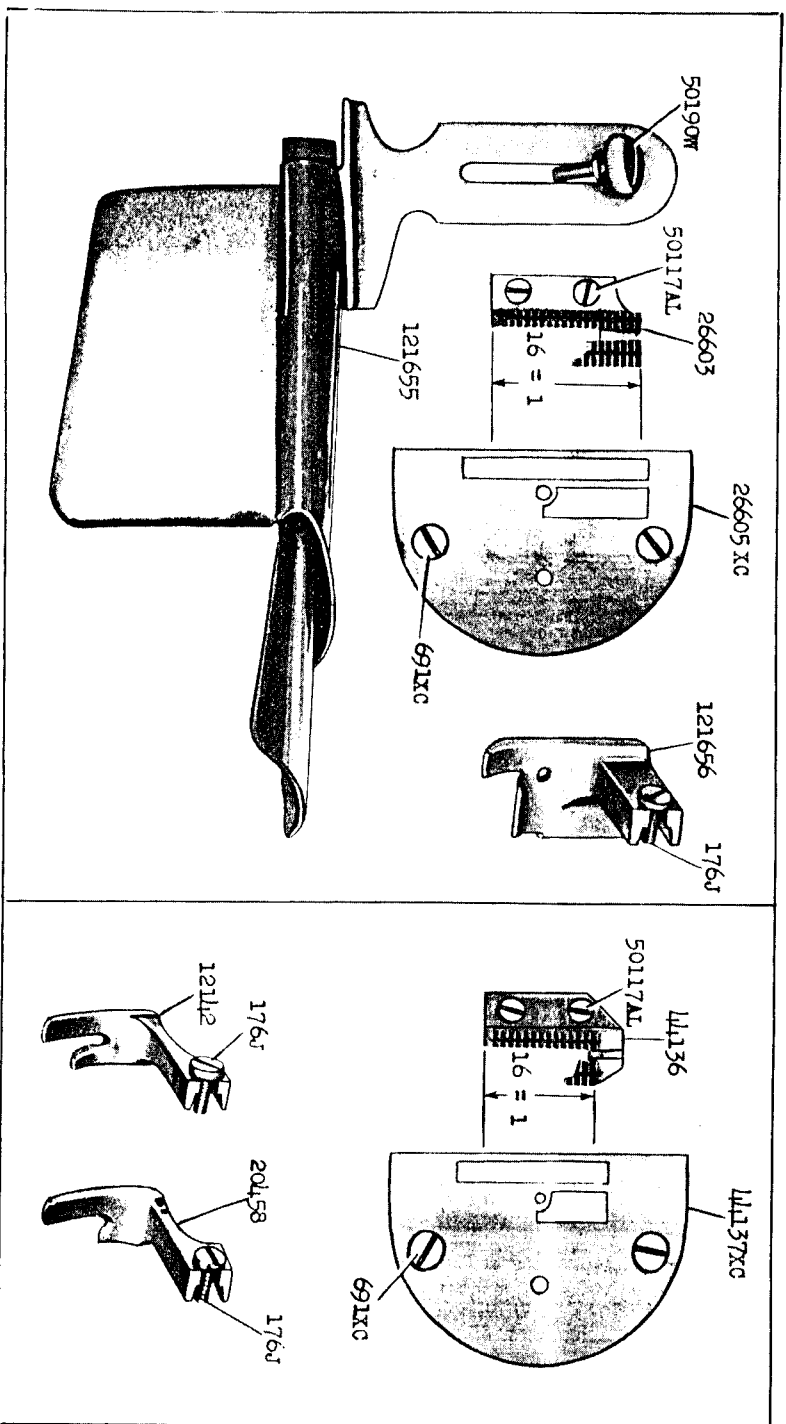
23221 - 2/3



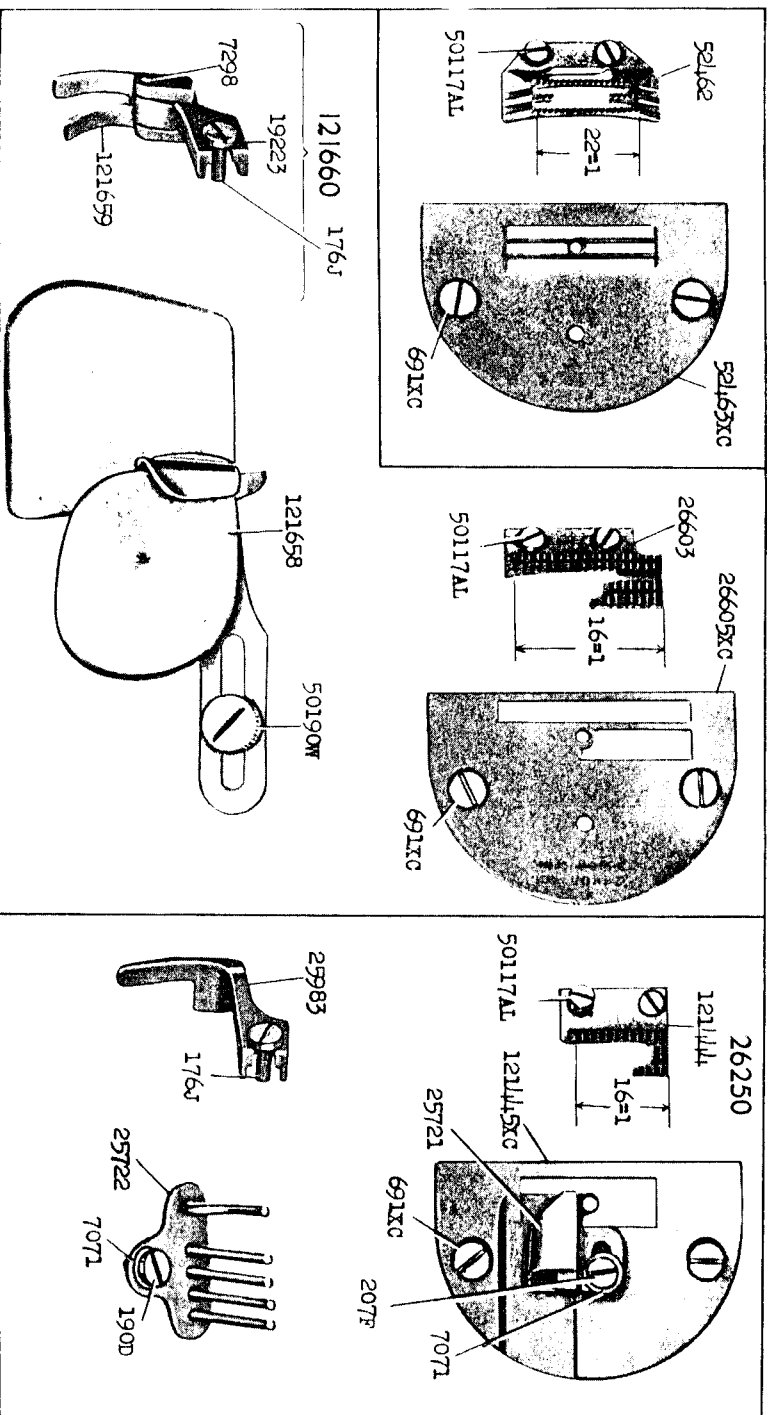
23222 - 2/3



23224 - 2/3

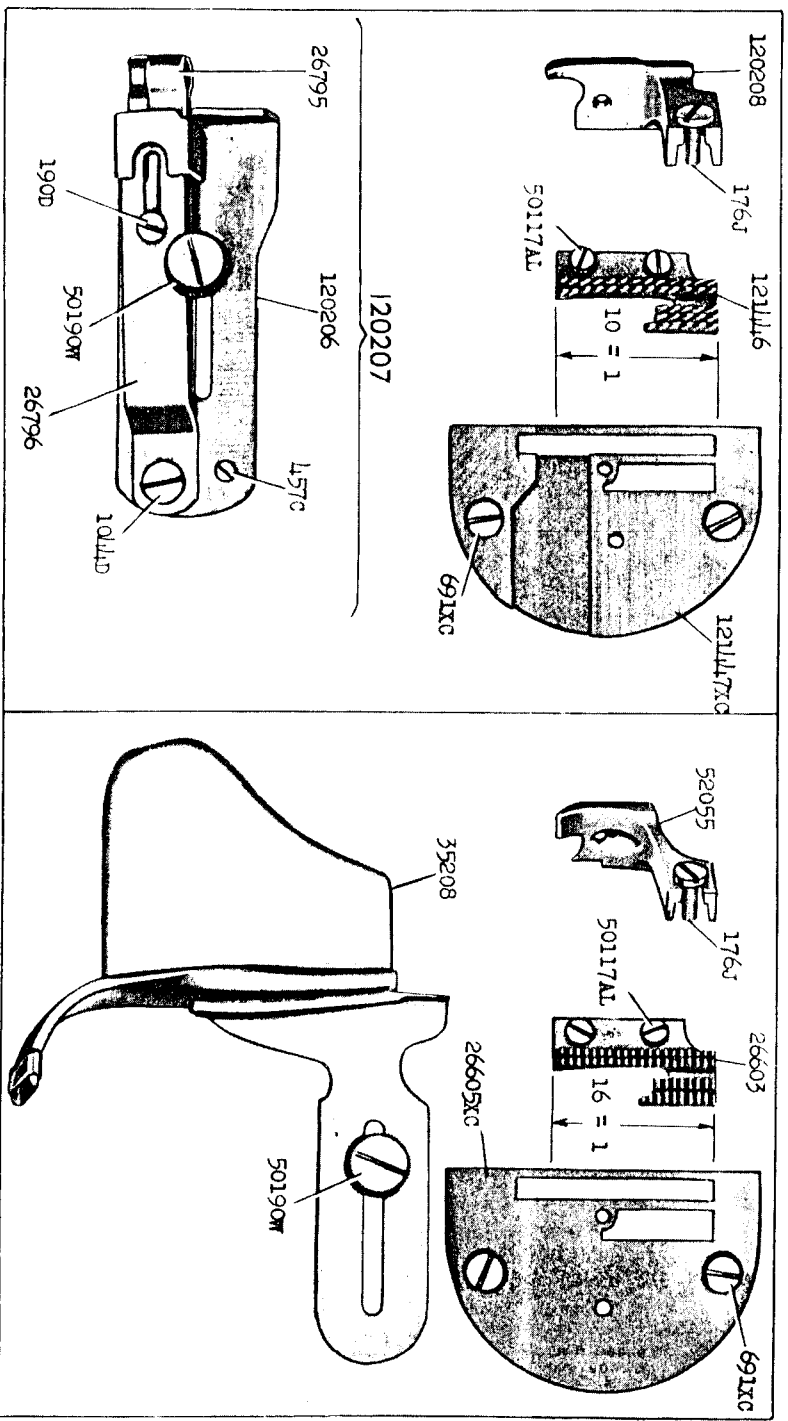


23225 - 2/3

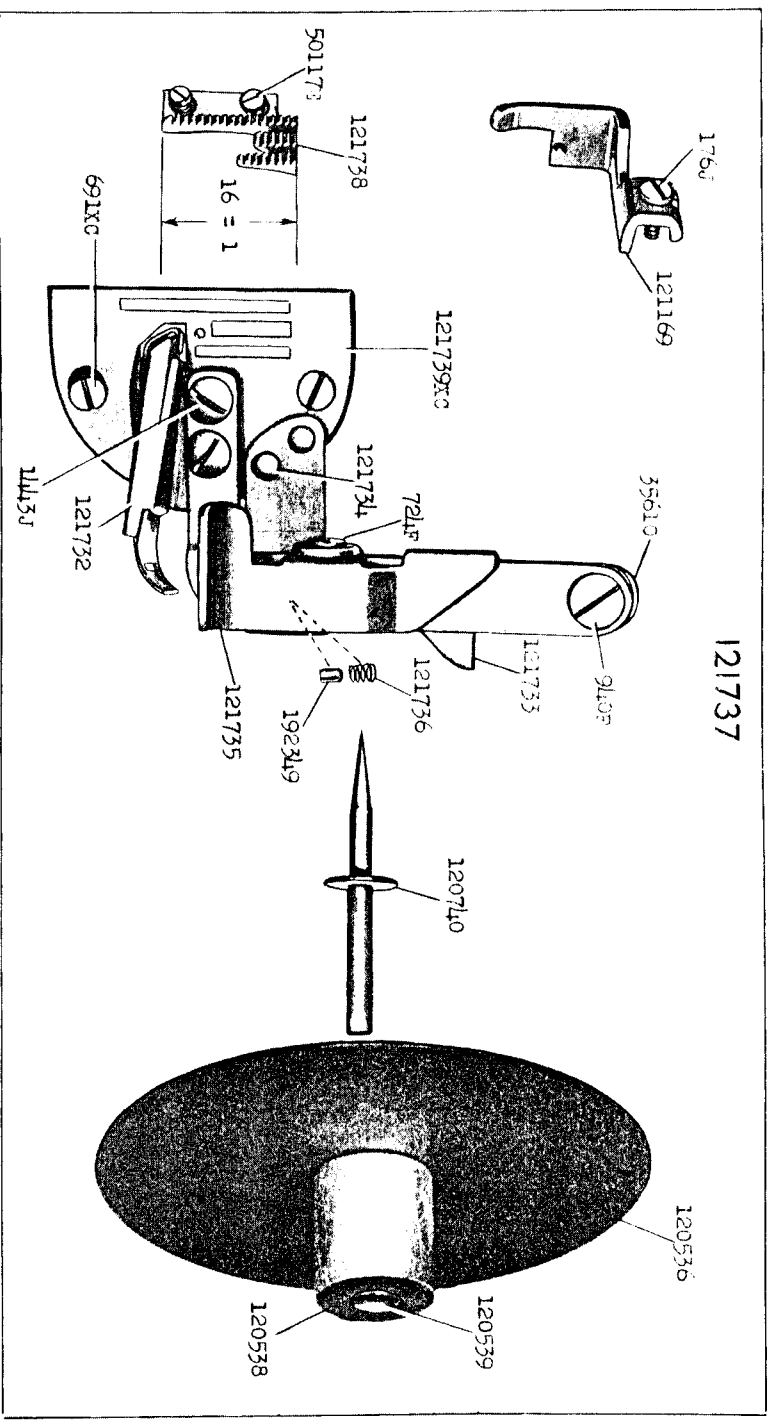


23226 - 2/3

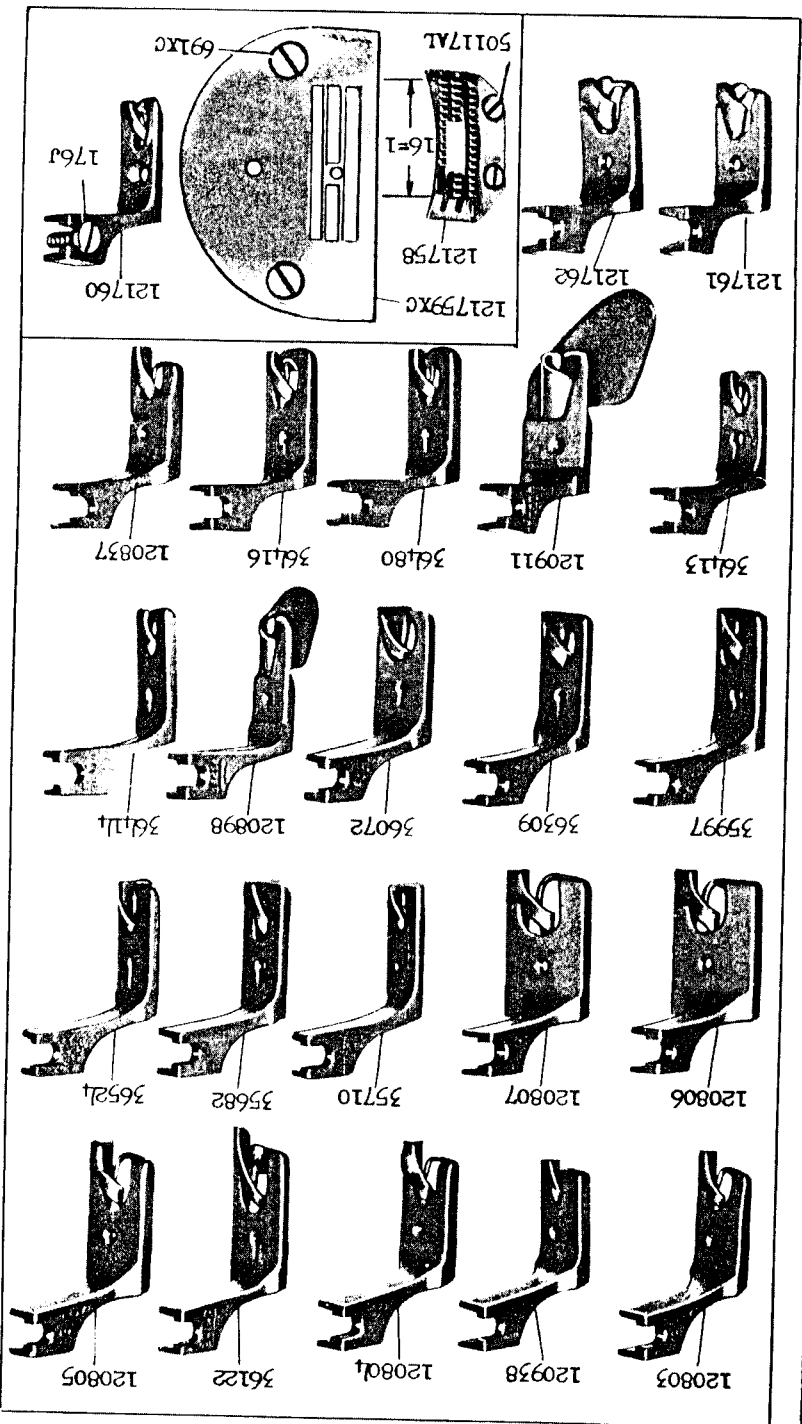




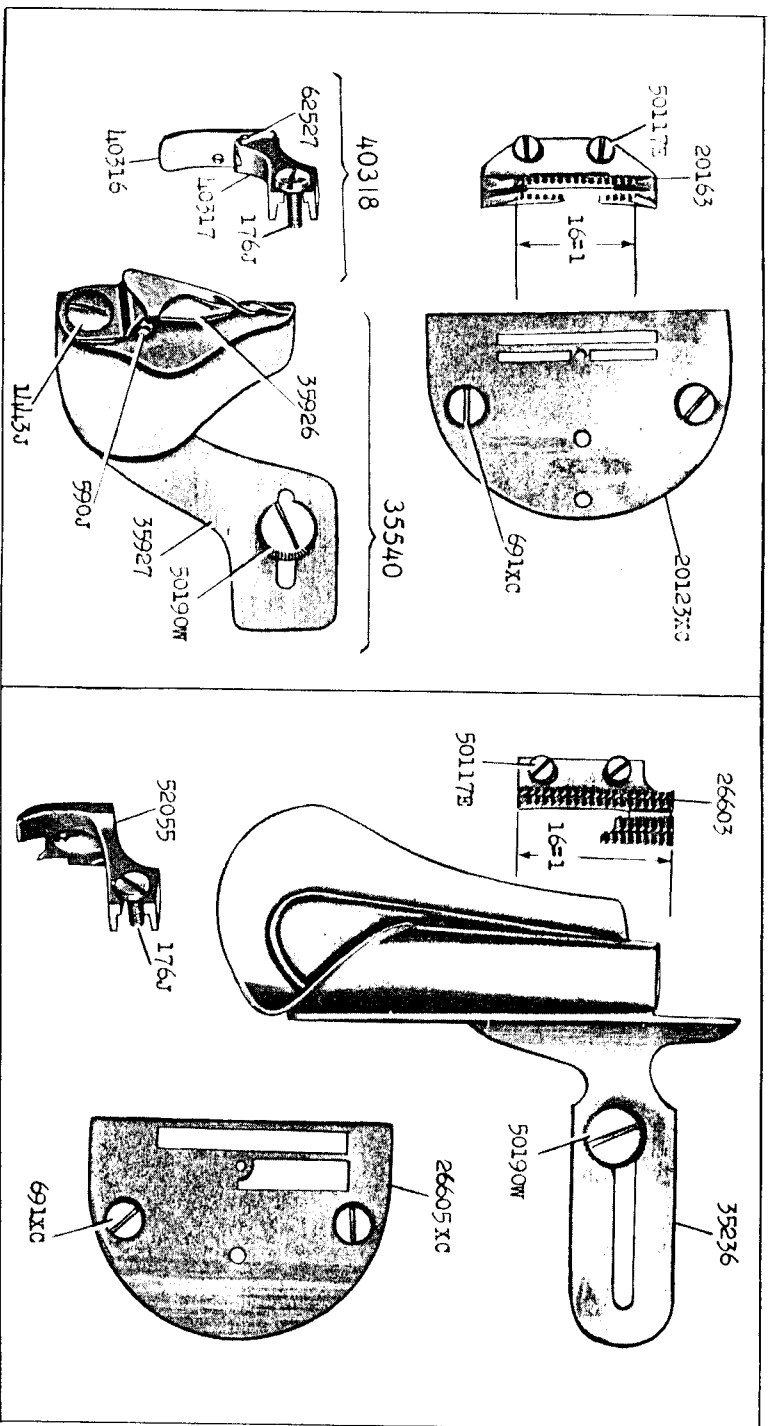
23228 - 2/3



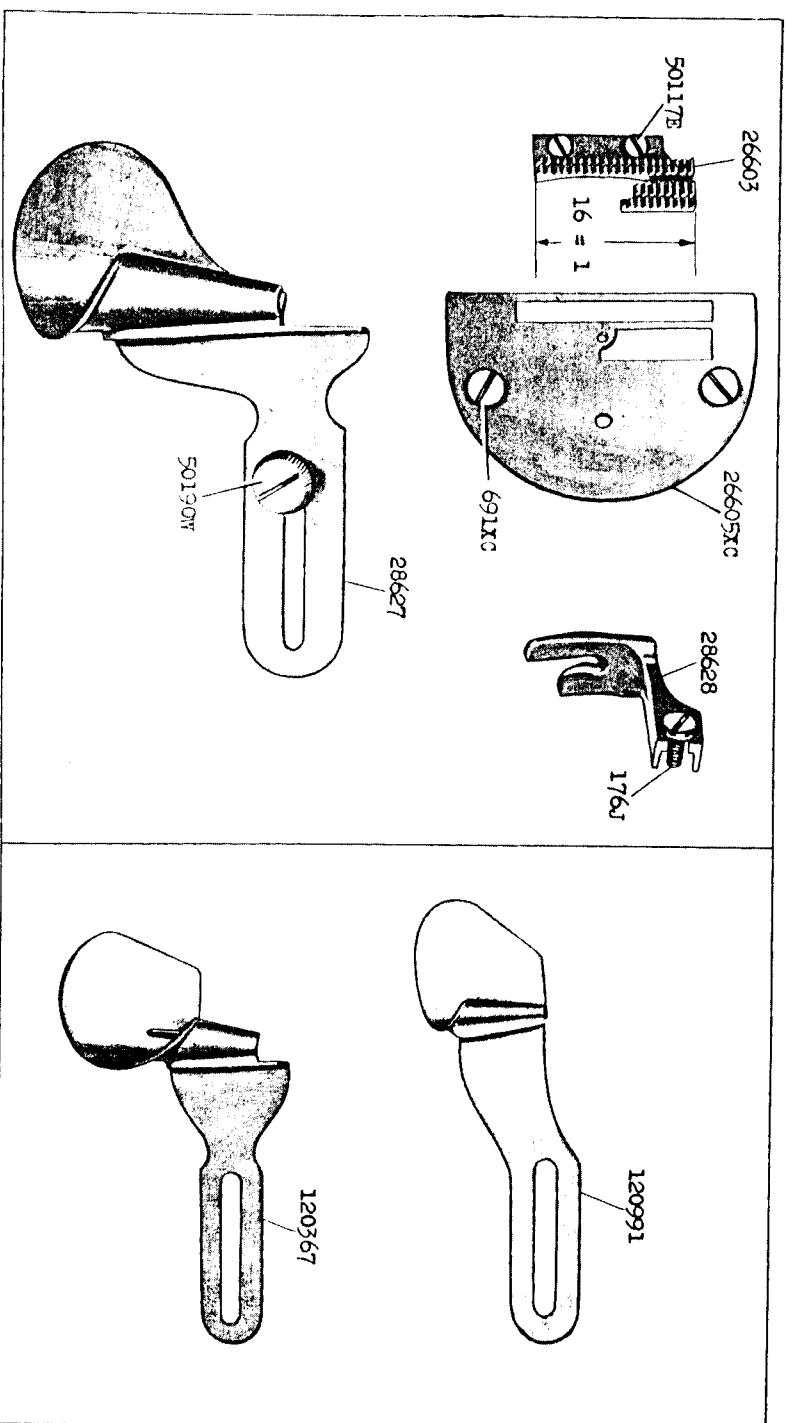
23229 - 2/3



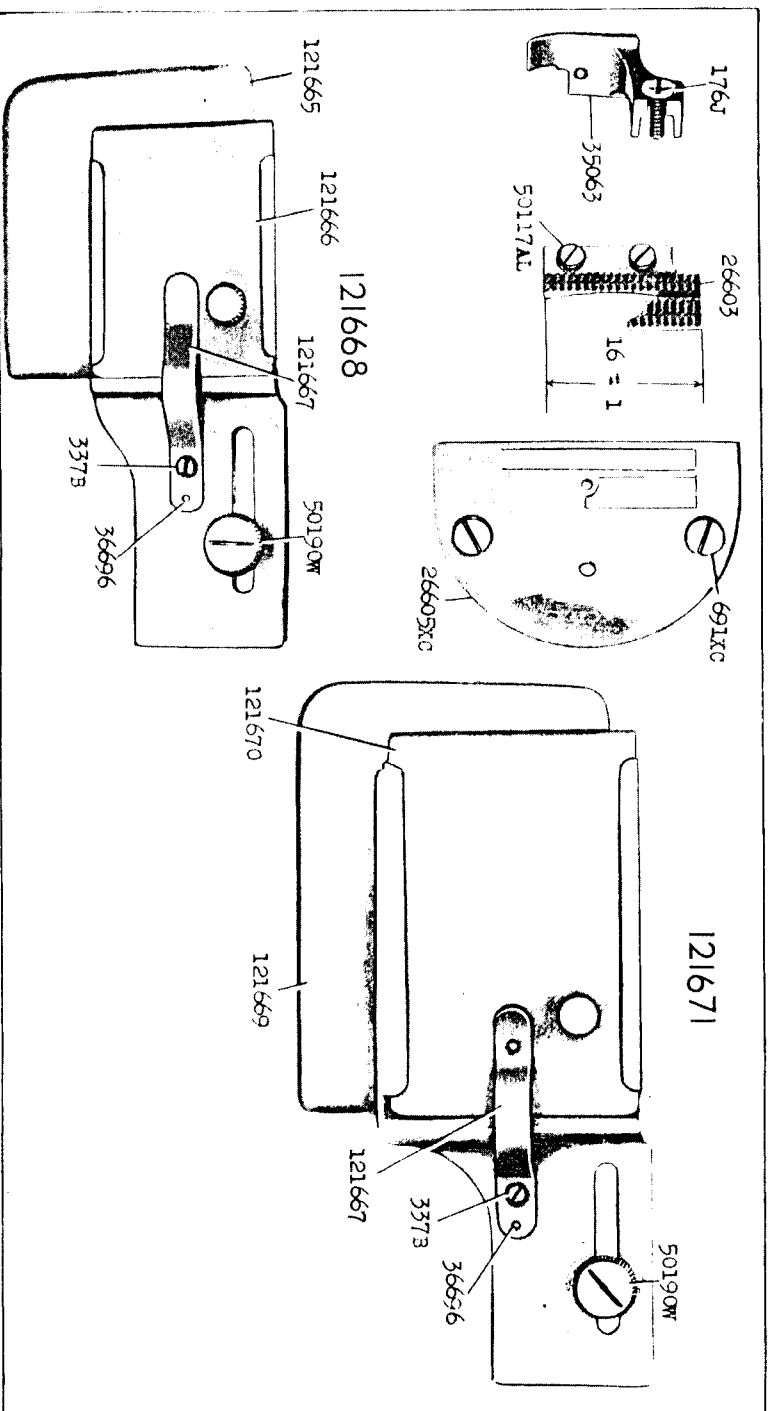
23230 - 2/3



23231 - 2/3



23232 - 2/3



23233 - 2/3

