

SINGER
400W12

INSTRUCTIONS FOR ORDERING

In ordering from this list, use **ONLY** the **PART** number in the **FIRST** column.

The number stamped on a Sewing Machine Part is the number of the Single Part only, except when the part includes Set Screws, Clamping Screws, Studs and Rollers Spun on, Small Wires riveted, or Parts soldered together, etc., which it is necessary to furnish in combination.

Every combination of parts sent out has its specific number which, although not stamped on Parts (except in above case), must be used when ordering the combination.

Each number always indicates the **SAME PART** in whatever list it appears, or for whatever Machine.

The letters after some of the numbers indicate the style of finish only, as follows:

- A. Hardened, Polished, Nickel Plated and Buffed.
- B. Polished, Nickel Plated and Buffed.
- C. Hardened only.
- D. Polished only.
- E. Soft, not polished.
- F. Hardened and Polished.
- H. Blued.
- J. Nickel Plated only.
- R. Merlized.
- X. Black Oxide, for Iron and Steel.
- XC. Hardened and Black Oxide, for Iron or Steel.
- Y. Black Nickel Plated only.

These letters **MUST BE USED** when they appear in the list and **AFTER** the number, as in the list.

In this series

1 to 1500, 200001 to 201500 and 350001 to 351500 are Screw Numbers.
1501 to 1800, 201501 to 201800 and 351501 to 351800 are Nut Numbers.
1801 to 2000, 201801 to 202000 and 351801 to 352000 are Roller Numbers.
2001 to 50000 and 202001 to 350000 are Numbers of Machine Parts.

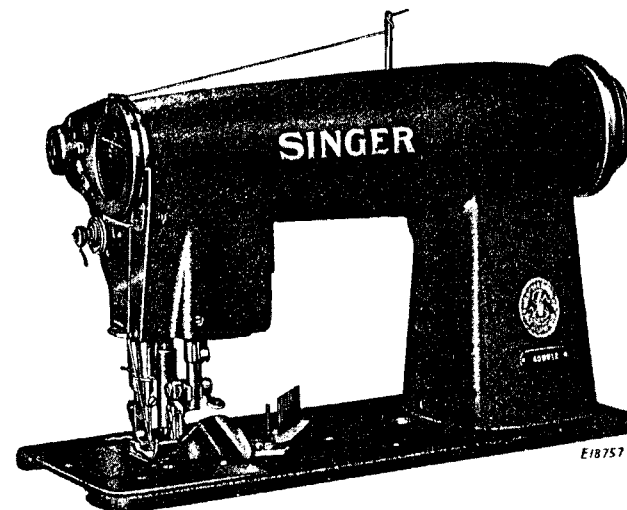
The figures in the second column refer only to the plate in which the illustration of the part is shown and are **NOT TO BE USED** in ordering.

Two or more numbers over a cut indicate that the difference between such parts is not visible in an illustration.

Parts marked with an asterisk (*) are furnished only when repairs are made at the factory.

LIST OF PARTS COMPLETE

FOR



MACHINE No. 400w12

VERTICAL TRIMMER AND BINDER

TRIMMING MARGIN FROM $\frac{1}{8}$ TO $\frac{5}{16}$ INCH
TO RIGHT OF SEAM

HIGH SPEED. DOUBLE ROTARY DISC TAKE-UP

SINGLE NEEDLE. LOCK STITCH. DROP FEED.

MAXIMUM STITCH $5 \frac{1}{2}$ TO THE INCH.

PRESSER BAR LIFT $\frac{3}{16}$ INCH.

FOR STITCHING TRIMMING AND BINDING LIGHT
AND MEDIUM WEIGHT FABRICS.

No.	Plate	Name
*270601	----	Arm
270002	18432	" Cover Plate (back)
200041X	18432	" " " Screw (2)
204235	18432	" Position Pin (2)
200004E	18432	" Screw (3)
202005	18432	" " Washer (3)
*270602	18425	" Shaft
270603	18425	" " 270602 with 200333C, 200378C, 270005 and 270099
270004	18425	Arm Shaft Ball Bearing (back)
270005	18425	" " " " (front)
270926	18425	" " Connection Belt (reinforced neoprene)

No.	Plate	Name
270188	18425	Arm Shaft Connection Belt Pulley and Rotary Take-up Driving Pulley with 200363AL,350492C and three 214206
350492C	18425	Arm Shaft Connection Belt Pulley Position Screw
200363AL	18425	Arm Shaft Connection Belt Pulley Set Screw
214206	18425	Arm Shaft Connection Belt Pulley Spring Flange
270189	18425	Balance Wheel (aluminum alloy casting) for 5/16" round belt, (diam. of belt groove 1-13/16 in.) (rim diam. 4 in.) with 201346C and 350107C
270190	18425	Balance Wheel 270189 with 270004
270187	18425	" " (aluminum alloy casting) for "v" belt (outside diam. of belt groove.2.9 in.) (rim diam. 4 in.) with 201346C and 350107C
270188	18425	Balance Wheel 270187 with 270004
		Note: Balance Wheel 270188 is furnished with this machine unless otherwise specified on order
350107C	18425	Balance Wheel Position Screw
201346C	18425	" " Set Screw
*270715	-----	Bed
270701	18433	" Cover Plate
200136D	18433	" " " Screw (2)
270716	18432	" Slide with 5947 and two 226D
5947	18432	" " Spring
226D	18432	" " " Screw
230251	18434	Binder Clamp Washer
270702	18434	" Guard
201478E	18434	" " Screw (2)
259087	18434	" Head for tapes or folded strips from 1/4 to 3/4 in., in steps of 1/32 inch
200155F	18434	Binder Head Screw (2)
270703	18434	" Tension Bracket with ten 225648
200582H	18434	" " " Screw (2)
225648	18434	" " Pin
270144	18377	Face Plate
350503H	18377	" " " Screw (5)
143030	18305	Feed Bar
270012	18305	" " Center (2)
200394C	18305	" " " Set Screw
235706	18305	" " Oiling Wick
270138	18305	" " " " Holder
270139	18305	" " " " " 270138 with 235706
52266	18305	Feed Bar Slide Block
52267	18305	" " " " 52266 with 125060
*125060	18305	" " " " Stud
270704	18433	" Dog, 18 teeth (15 teeth to the inch), for 270713
50117E	18433	Feed Dog Screw (2)
270013	18305	" Driving Connection
270014	18305	" " " 270013 with 270016
270015	18305	Feed Driving Connection Crank with 200040E

No.	Plate	Name
200040E	18305	Feed Driving Connection Crank Pinch Screw
200545C	18305	Feed Driving Connection Hinge Screw
201522E	18305	" " " " " Nut
270016	18305	" " " Needle Bearing
270017	18390	" Driving Eccentric
270018	18390	" " " Adjusting Disc
270137	18390	" " " " "
		Spring
270111	18390	Feed Driving Eccentric Adjusting Disc Spring Collar with 201220C
201220C	18390	Feed Driving Eccentric Adjusting Disc Spring Collar Position Screw
240231	18390	Feed Driving Eccentric Friction Gib
200369C	18390	" " " " "
		Adjusting Screw
350101C	18390	Feed Driving Eccentric Friction Gib Adjusting Screw Set Screw
270020	18390	Feed Driving Flange with 200333C, 200346C, two each 200369C and 350101C
200333C	18390	Feed Driving Flange Position Screw
200346C	18390	" " " Set Screw
270021	18305	" " Rock Shaft with two 200394C
270022	18305	Feed Driving Rock Shaft Center (2)
350277C	18305	" " " " " Set Screw
270013	18305	Feed Lifting Connection
270014	18305	" " " 270013 with 270016
270015	18305	Feed Lifting Connection Crank with 200040E
200040E	18305	Feed Lifting Connection Crank Pinch Screw
200545C	18305	Feed Lifting Connection Hinge Screw
201522E	18305	" " " " " Nut
270016	18305	" " " Needle Bearing
270023	18390	" " Eccentric with 200382C and 201220C
201220C	18390	Feed Lifting Eccentric Position Screw
200382C	18390	" " " Set Screw
270024	18305	" " Rock Shaft with 52267
270022	18305	" " " " Center (2)
350277C	18305	" " " " " Set Screw (2)
270140	18390	Feed Regulating Stud
240245	18390	" " " Retaining Spring
270026	18390	" " " Spring
270045	18306	Knee Lifter Lifting Link
270285	18432	" " " " Connection
200427C	18432	" " " " " Set Screw
200293C	18306	Knee Lifter Lifting Link Hinge Screw
270094	18432	" " " Rod
270048	18432	" " " " Connection
200434C	18432	" " " " " Set Screw

No.	Plate	Name
270049	18432	Knee Lifter Rock Shaft with 200427C and 200434C
270705	18435	Knife (lower)
270706	18435	" " Bracket
350527C	18435	" (lower) Bracket Screw
201520C	18435	" " " " Nut
201183D	18435	" " Screw (2)
270619	18435	" (upper)
270707	18435	" " Adjusting Plate
200112C	18435	" " " " Screw
202101	18435	" " " " Washer
270620	18435	" " Driving Connection
270621	18435	" " " " 270620 with 268063 and 270653
270622	18435	Knife (upper) Driving Connection Crank with 200190D
270623	18435	Knife (upper) Driving Connection Crank Hinge Stud
200347C	18435	Knife (upper) Driving Connection Crank Hinge Stud Set Screw
202574	18435	Knife (upper) Driving Connection Crank Hinge Stud Collar with 200380C
200380C	18435	Knife (upper) Driving Connection Crank Hinge Stud Collar Set Screw
270624	18435	Knife (upper) Driving Connection Crank Oil Guard
201048H	18435	Knife (upper) Driving Connection Crank Oil Guard Thumb Screw
200190D	18435	Knife (upper) Driving Connection Crank Pinch Screw
268063	18435	Knife (upper) Driving Connection Needle Bearing (upper)
270653	18435	Knife (upper) Driving Connection Needle Bearing (lower)
270625	18425	Knife (upper) Driving Eccentric with two 200346C
270626	18425	Knife (upper) Driving Eccentric Cap Washer
200346C	18425	Knife (upper) Driving Eccentric Set Screw
270627	18435	Knife (upper) Driving Link (lower half) with 200136D
350502C	18435	Knife (upper) Driving Link (lower half) Hinge Screw
201529H	18435	Knife (upper) Driving Link (lower half) Hinge Screw Nut
270629	18435	Knife (upper) Driving Link (upper half)
270630	18435	Knife (upper) Driving Link (upper half) Hinge Stud
270631	18435	Knife (upper) Driving Link (upper) half) Locking Plunger
203213	18435	Knife (upper) Driving Link (upper half) Locking Plunger Spring
270632	18435	Knife (upper) Driving Link Hinge Pin
200136D	18435	" " " " " " Set Screw

No	Plate	Name
270708	18435	Knife (upper) Holder
270634	18435	" " Bracket with 201320D and 201537H
201320D	18435	Knife (upper) Holder Bracket Adjusting Screw
201537H	18435	Knife (upper) Holder Bracket Adjusting Screw Nut
270635	18435	Knife (upper) Holder Bracket Guide Stud with 268258
268258	18435	Knife (upper) Holder Bracket Guide Stud Oil Packing (wick)
200378C	18435	Knife (upper) Holder Bracket Guide Stud Set Screw
270637	18435	Knife (upper) Holder Bracket Latch
200130F	18435	" " " " " " Screw
270638	18435	Knife (upper) Holder Bracket Stud with 268258
268258	18435	Knife (upper) Holder Bracket Stud Oil Packing (wick)
200054F	18435	Knife (upper) Holder Screw
202101	18435	" " " " Washer
201183D	18435	" " Screw (2)
270050	18306	Needle Bar with 350445F
270124	18306	" " Bushing (lower)
270261	18306	" " " (upper)
350489AL	18306	" " " Set Screw
270053	18306	" " Connecting Link
270054	18306	" " " 270053 with 270043
270055	18306	Needle Bar Connecting Link Guide Block
200054E	18306	" " " " " " Screw (2)
270143	18306	Needle Bar Connecting Link Hinge Stud with 270161 and 222598
222598	18306	Needle Bar Connecting Link Hinge Stud Oil Packing (wick)
200374C	18425	Needle Bar Connecting Link Hinge Stud Set Screw
270043	18306	Needle Bar Connecting Link Needle Bearing
270100	18306	Needle Bar Connecting Link Thrust Washer
270057	18306	Needle Bar Connecting Stud with 200086C and 202330
202330	18306	Needle Bar Connecting Stud Oil Packing (wick)
200086C	18306	Needle Bar Connecting Stud Pinch Screw
*270099	18425	" " Crank with two 200374C
200333C	18425	" " " Position Screw
200378C	18425	" " " " Check Screw
270058	18306	Needle Bar Oiling Felt
350445F	18306	" Set Screw
270059	18306	Presser Bar with 176X
270060	18306	" " Bushing
270061	18306	" " Lifter
350442C	18306	" " " Hinge Screw
270062	18306	" " Lifting Releasing Lever Bracket

No.	Plate	Name
270095	18306	Presser Bar Lifting Releasing Lever Bracket Spring
270063	18306	Presser Bar Position Guide with 200196E and 350411C
350411C	18306	Presser Bar Position Guide Pinch Screw
270064	18432	" " Spring
350435C	18432	" " Screw (pressure regulating)
350499XC	18432	Presser Bar Spring Screw Stud
230795	18433	" Foot Hinge Pin
206943	18433	" " Plate
270709	18433	" " Shank
270710	18433	Presser Foot (hinged) complete, for trimming margins from 1/8 to 5/16 in., in steps of 1/32 in., Nos. 206943, 230795 and 270709
176X	18306	Presser Foot Screw
270927	18377	Rotary Take-up (large)
270161	18306	" " Position Pin
271032	18377	" " Thread Guide
401D	18377	" " Screw (2)
270906	18378	" " (small) with 270147 and 350418C
270068	18378	Rotary Take-up (small) Driving Shaft
270032	18378	" " " " "
		Ball Bearing (2)
270069	18378	Rotary Take-up (small) Driving Shaft Connection Belt
270072	18378	Rotary Take-up (small) Driving Shaft Pulley with two 200382C
200382C	18378	Rotary Take-up (small) Driving Shaft Pulley Set Screw
350418C	18378	Rotary Take-up (small) Set Screw
270147	18378	" " " Thread Cast-off Pin
270148	18377	Rotary Take-up Guard
350503C	18377	" " " Screw (3)
270868	18416	Rotating Hook with 143301 and two 1253AL
270869	18416	Rotating Hook 270868 with 270874XC and four 1053E
270870	18416	Rotating Hook 270869 with 270872, 270876 and three 1367E
270871	18416	Rotating Hook 270870 with 52237
270010	18416	" " Bobbin
52235	18416	" " " Case
52236	18416	" " " " 52235 with 591F, 1380E and 40394
40393	18416	Rotating Hook Bobbin Case Hinge, Nos. 2974, 40392 and 125320
270872	18416	Rotating Hook Bobbin Case Holder (chromium plated)
270523	18416	Rotating Hook Bobbin Case Holder Position Bracket
200077D	18416	Rotating Hook Bobbin Case Holder Position Bracket Screw
40392	18416	Rotating Hook Bobbin Case Latch

No.	Plate	Name
125320	18416	Rotating Hook Bobbin Case Latch Lever
2974	18416	" " " " " "
		Fulcrum Pin
2975	18416	Rotating Hook Bobbin Case Latch Spring
592E	18416	" " " " " Stop Screw
40394	18416	Rotating Hook Bobbin Case Tension Spring
591F	18416	Rotating Hook Bobbin Case Tension Spring Regulating Screw
1380E	18416	Rotating Hook Bobbin Case Tension Spring Screw
52237	18416	Rotating Hook Bobbin Case complete, Nos. 592E, 2975, 40393 and 52236
270873	18416	Rotating Hook Bobbin Case 52237 with 270872
270031	18390	Rotating Hook Driving Shaft
270032	18390	" " " " Ball Bear- ing
270033	18390	Rotating Hook Driving Shaft Bushing with 222598
222598	18390	Rotating Hook Driving Shaft Bushing Oil Packing (wick)
200362C	18390	Rotating Hook Driving Shaft Bushing Set Screw
270169	18390	Rotating Hook Driving Shaft Connection Belt Pulley with 214206 and two 200070C
200070C	18390	Rotating Hook Driving Shaft Connection Belt Pulley Set Screw
214206	18390	Rotating Hook Driving Shaft Connection Belt Pulley Spring Flange
270035	18390	Rotating Hook Driving Shaft Gear (internal teeth) with 200382C and 201220C
201220C	18390	Rotating Hook Driving Shaft Gear Position Screw
200382C	18390	Rotating Hook Driving Shaft Gear Set Screw
270036	18390	Rotating Hook Driving Shaft Oil Lead Wire
270038	18432	Rotating Hook Oil Reservoir Cover
270039	18432	" " " " "
		Gasket
200041X	18432	Rotating Hook Oil Reservoir Cover Screw (6)
270155	18390	Rotating Hook Oil Reservoir Oil Gauge
143301	18416	" " " Wick (felt)
270876	18416	" " Section
1367E	18416	" " " Screw
1253AL	18416	" " Set Screw
270162	18390	" " Shaft
270163	18390	" " " Bushing
268258	18390	" " " " Oil Packing (wick)
350277C	18390	Rotating Hook Shaft Bushing Set Screw

No.	Plate	Name
270164	18390	Rotating Hook Shaft End Bearing
201215D	18390	" " " " " Screw
202423	18390	" " " Oil Filter Wick
143349	18390	" " " " " "
		Holder
270176	18390	Rotating Hook Shaft Oil Filter complete, Nos. 143349 and 202423
350498E	18390	Rotating Hook Shaft Oil Regulating Screw
270044	18390	Rotating Hook Shaft Thrust Washer
270166	18390	Rotating Hook Shaft Bushing complete, Nos. 268258, 270044, 270162 to 270164, 270176, 350498E and two 201215D
270874XC	18416	Rotating Hook Thread Guard
1053E	18416	" " " " Screw
2102	18377	Tension Disc
270076	18306	" Releaser (adjustable)
200132E	18306	" " Screw
32572	18377	" Releasing Disc
270086	18377	" " Pin
13710	18377	" Spring
50304C	18377	" Stud
52098	18377	" " 50304C with 1560C
50305C	18377	" " Set Screw
1560C	18377	" Thumb Nut
270087	18377	Tension complete, Nos. 13710, 32572, 52082, 52083, 52098, 270086 and two 2102
270096	18377	Thread Guide
236245	18377	" " (lower)
270077	18306	" " (on needle bar bushing)
350503H	18377	" " Screw (2)
270079	18306	" Pull-off
200196E	18306	" " Set Screw
270080	18377	" Retainer
200355H	18377	" " Screw
270150	18377	" Severing Finger
270151	18377	" " " Guard
350486XC	18377	" " " " Hinge Screw
270156	18377	" " " " " "
		Spring Washer
200567H	18377	Thread Severing Finger Screw
52082	18377	" Take-up Spring
52083	18377	" " " Regulator with 50305C
446C	18377	Thread Take-up Spring Regulator Set Screw
270711	18433	Throat Plate, 50 needle hole, for needle sizes 14 and 15
270712	18433	Throat Plate Margin Plate for margins from 1/8 to 5/16 in., in steps of 1/32 in.
200145C	18433	Throat Plate Margin Plate Screw
691F	18433	" " Screw (2)
270713	18433	Throat Plate complete, for trimming margins from 1/8 to 5/16 in., in steps of 1/32 in., Nos. 270711, 270712 and two 200145C, for 270704

No.	Plate	Name
270714	18434	Trimming Chute
201183D	18434	" " " Screw (back)
200136D	18434	" " " " (front)

SINGER Needles should be used
in SINGER Machines.
These Needles and their Containers
are marked with the
Company's Trade-Mark "SIMANCO.***" 1

Needles in Containers marked
"FOR SINGER MACHINES"
are NOT **SINGER** made needles. 2

ACCESSORIES

No.	Plate	Name
270010	18416	Rotating Hook Bobbin (2)
228476	18422	Screw Driver (Bobbin Case)
88 x 1	-----	Needles, six, size 16
228462	18431	Drip Pan with four 3/4 in. wire nails
12361	18422	Machine Hinge Connection
41400	18422	" Rest Pin (wood)
120342	18422	Oiler (copper plated) with 120343
120343	18422	" Spout (3-1/2 in. long)
259477	18422	Screw Driver 5 in. long

KNEE LIFTER

228486	18431	Rock Lever Bracket with 200347C and three wood screws 7/8 in., No. 12
228361	18431	Rock Lever Bracket 228486 with 228359, 228363, 228367, 228386 and 228455
228359	18431	Rock Lever with two 350231C
228370	18431	" " Extension with 200529C
350231C	18431	" " " Set Screw
228363	18431	" " Hinge Pin
228364	18431	" " Knee Plate with 350231C
228388	18431	" " " Arm
350231C	18431	" " " " Set Screw
350231C	18431	" " " " Set Screw
228455	18431	" " Position Spring
228365	18431	" " Rod
200529C	18431	" " " Set Screw
228386	18431	" " Spring
228367	18431	" " Stop Stud
200347C	18431	" " " " Set Screw
228371	18431	Knee Lifter Rock Lever complete, Nos. 228361, 228364, 228365, 228370 and 228388

(Other Knee Lifter parts are listed with parts of machine head).

BOBBIN WINDER

(SWINGING AUTOMATIC, RIGHT HAND

FOR "V" BELT DRIVE

No.	Plate	Name
259428	18312	Brake (leather)
259429	18312	" Clamp
200113F	18312	" " Screw
225453	18312	Frame with 202277 and 259660
225454	18312	" Hinge Pin
202277	18312	" Oil Packing (wick)
259660	18312	" " Well Washer
225455	18312	" Spring
225456	18312	" " Plunger
259461	18312	Pulley with 200380C
200380C	18312	" Set Screw
225381	18312	Spindle
225444	18312	Stop Latch
200056E	18312	" " Screw
225458	18312	" " Thumb Lever
225459	18312	" " " " Hinge Stud
225459	18312	" " " " Joint Stud
202478	18312	" " Trip Lever
200299H	18312	" " " " Hinge Screw
225461	18312	Tension Bracket with 201499H
200082D	18312	" " Screw
228026	18312	" " " Washer
2102	18312	" Disc
13710	18312	" Spring
201499H	18312	" Stud
201572H	18312	" " Thumb Nut
225462	18312	Bobbin Winder Tension Bracket complete, Nos. 13710, 201572H, 225461 and two 2102
259662	18312	Bobbin Winder and Tension Bracket Base
259462	18312	Universal Bobbin Winder complete, Nos. 200056E, 200082D, 200113F, 200299H, 202478, 225381, 225444, 225453 to 225456, 225458, 225462, 228026, 259428, 259429, 259461, 259662, two each 225459 and wood screws 3/4 in., No. 12, R.H.B.

BELT GUARD

No.	Plate	Name
270153	18375	Belt Guard Bracket
350328H	18375	" " " Screw (2)
200362C	18375	" " Set Screw (2)
270152	18375	" " with two 200362C
270154	18375	Belt Guard complete, Nos. 270152, 270153 and two 350328H

BINDER AND FOLDER

231310	18433	Binder and Folder, in gauges 3/4", 7/8" and 1 inch
200190D	18433	Binder Folder Screw

BOBBIN WINDER

(SWINGING AUTOMATIC, RIGHT HAND)
FOR 5/16 INCH ROUND BELT DRIVE

259428	18312	Brake (leather)
259429	18312	" Clamp
200113F	18312	" " Screw
225453	18312	Frame with 202277 and 259660
225454	18312	" Hinge Pin
202277	18312	" Oil Packing (wick)
259660	18312	" " Well Washer
225455	18312	" Spring
225456	18312	" " Plunger
225368	18312	Pulley with 200380C
200380C	18312	" Set Screw
225381	18312	Spindle
225444	18312	Stop Latch
200056E	18312	" " Screw
225458	18312	" " Thumb Lever
225459	18312	" " " " Hinge Stud
225459	18312	" " " " Joint Stud
202478	18312	" " Trip Lever
200299H	18312	" " " " Hinge Screw
225461	18312	Tension Bracket with 201499H
200082D	18312	" " Screw
228026	18312	" " " Washer

No.	Plate	Name
2102	18312	Tension Disc
13710	18312	" Spring
201499H	18312	" Stud
201572H	18312	" " Thumb Nut
225462	18312	Bobbin Winder Tension Bracket complete, Nos. 13710, 201572H, 225461 and two 2102
259430	18312	Bobbin Winder and Tension Bracket Base
259431	18312	Universal Bobbin Winder complete, Nos. 200056E, 200082D, 200113F, 200299H, 202478, 225368, 225381, 225444, 225453 to 225456, 225458, 225462, 228026, 259428 to 259430, two each 225459 and wood screws 3/4 in., No. 12, R.H.B.

MISCELLANEOUS PARTS

225434	18422	Bobbin Holder
259502	18422	Finger Guard
228394	18422	Spool Pin

USED IN CONJUNCTION WITH THREAD UNWINDER

259370	18362	Spool Pin
259378	18362	" " Arm with 217E and 259379
448AL	18362	" " " Set Screw
232896	18362	" " " Bracket with two 448AL
448AL	18362	" " " " Set Screw
259371	18362	" " Cap (bakelite)
1010F	18362	" " " Hinge Screw
259379	18362	" " Retaining Spring
217E	18362	" " " " Screw
259372	18362	" " Washer
259373	18362	Spool Pin complete, Nos. 1010F and 259370 to 259372
60913	18362	Spool Weight with 60914
60914	18362	" " " Center Pin
225377	18362	" Wire, for small spools
27739	18362	Thread Cone (wood)
225390	18362	" " " Holder

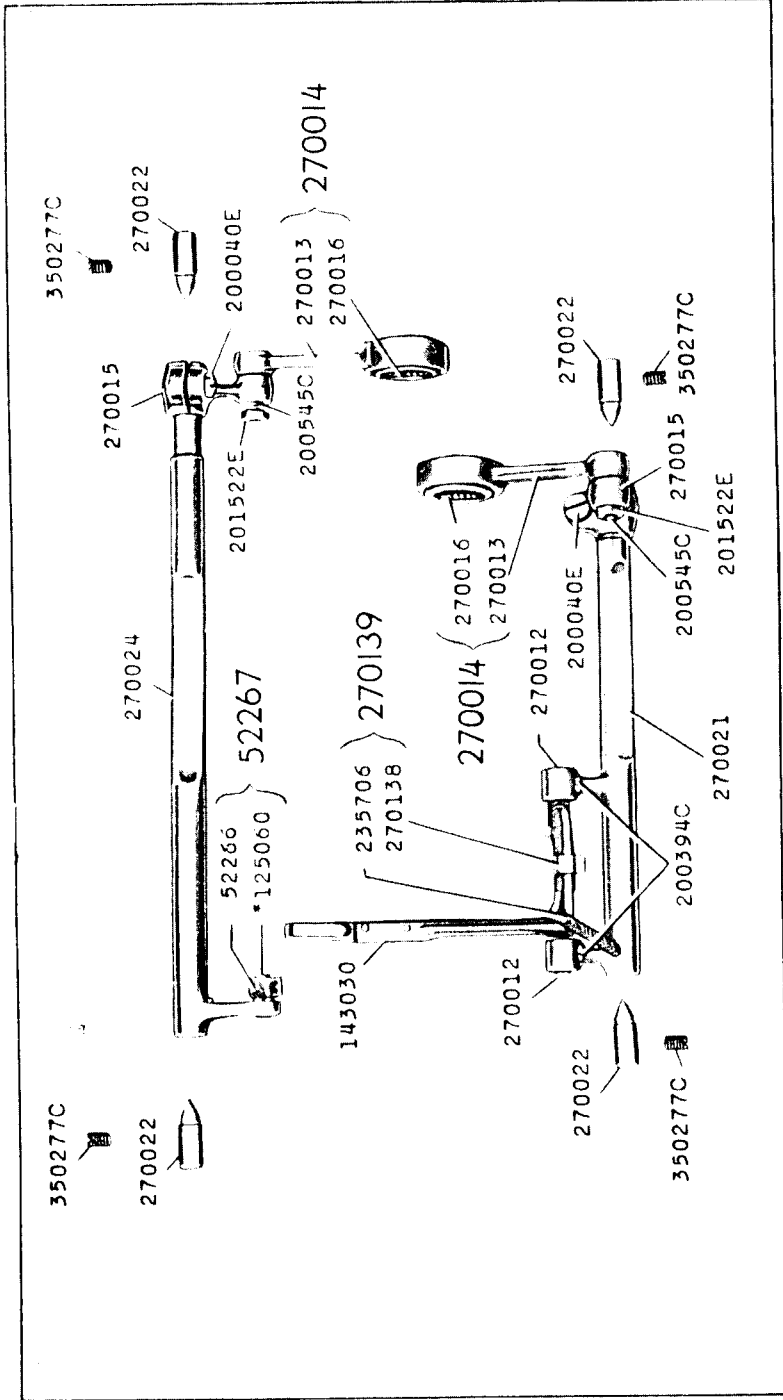
THREAD UNWINDER

No.	Plate	Name
225257	18362	Spool Rest (for two spools) (flat) with 201018C
150203	18362	Spool Rest Cushion (felt)
225388	18362	" " Rod
200383C	18362	" " " Set Screw
201018C	18362	" " Set Screw
259658	18362	" Stand with 200383C
225391	18362	Thread Guide
201696H	18362	" " Lock Nut
225326	18362	" " Position Cup
225324	18362	" " Rod with 208AL and 225322
208AL	18362	" " Screw
225322	18362	" " Washer
225258	18362	Thread Unwinder (for two spools) complete, Nos. 201696H, 225257, 225324, 225326, 225388, 259658, two each 150203, 225391 and three wood screws 7/8 in., No. 12

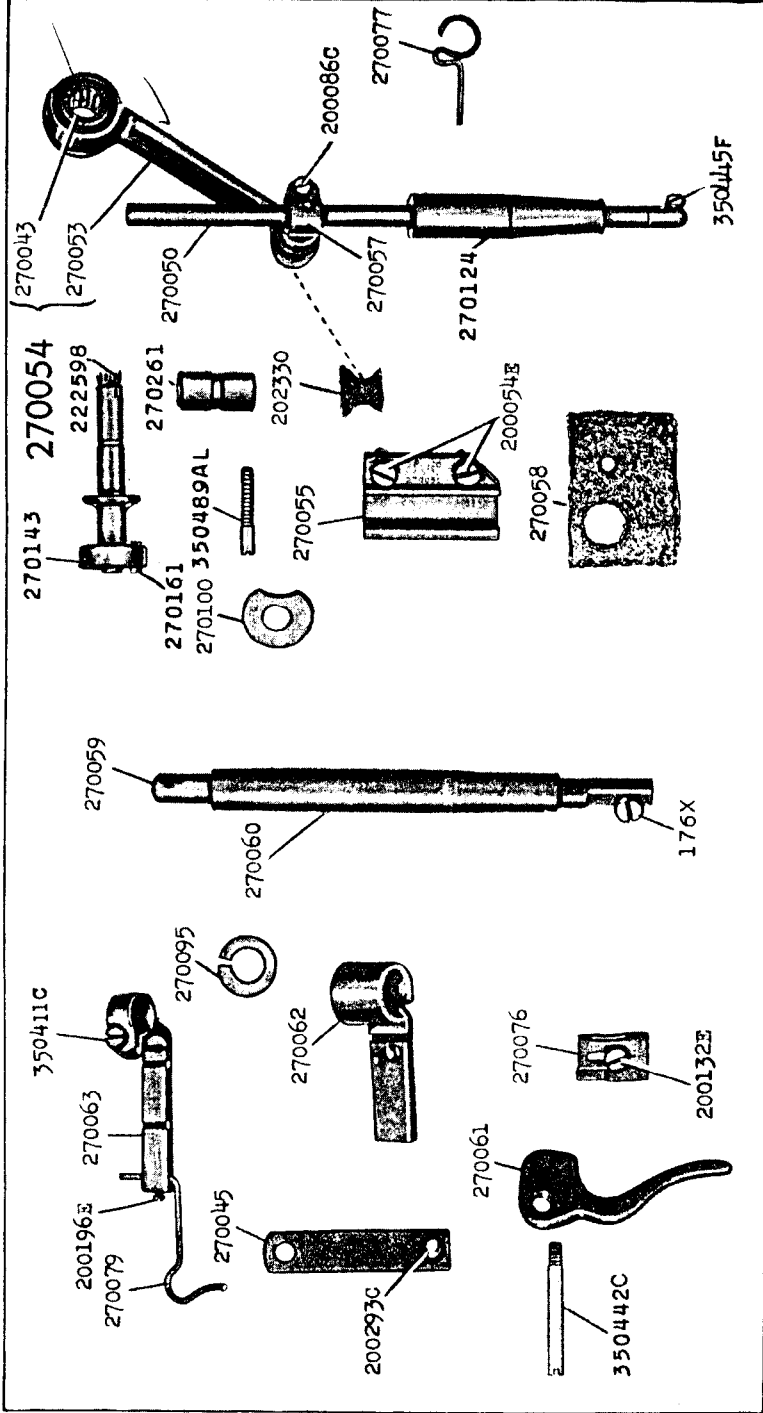
SINGER Needles should be used
in SINGER Machines.
These Needles and their Containers
are marked with the
Company's Trade-Mark "SIMANCO." 1

Needles in Containers marked
"FOR SINGER MACHINES"
are NOT **SINGER** made needles. 2

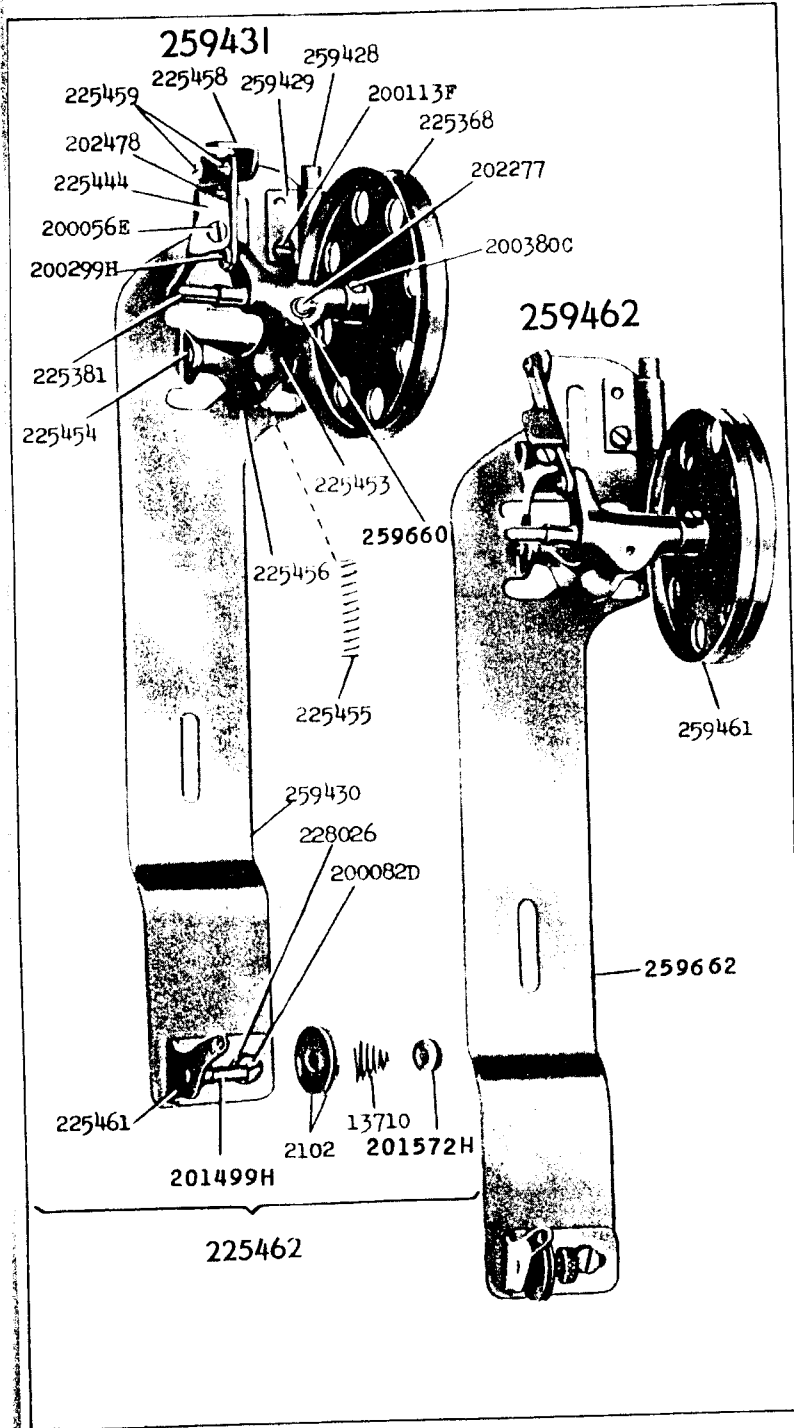
NUMERICAL LIST OF PARTS



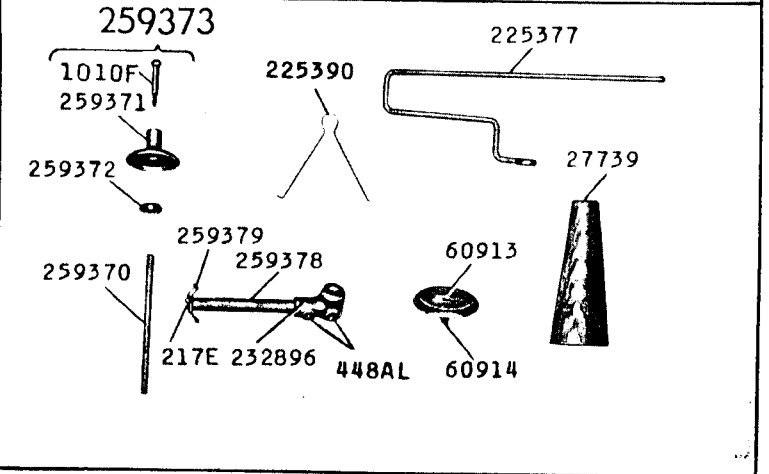
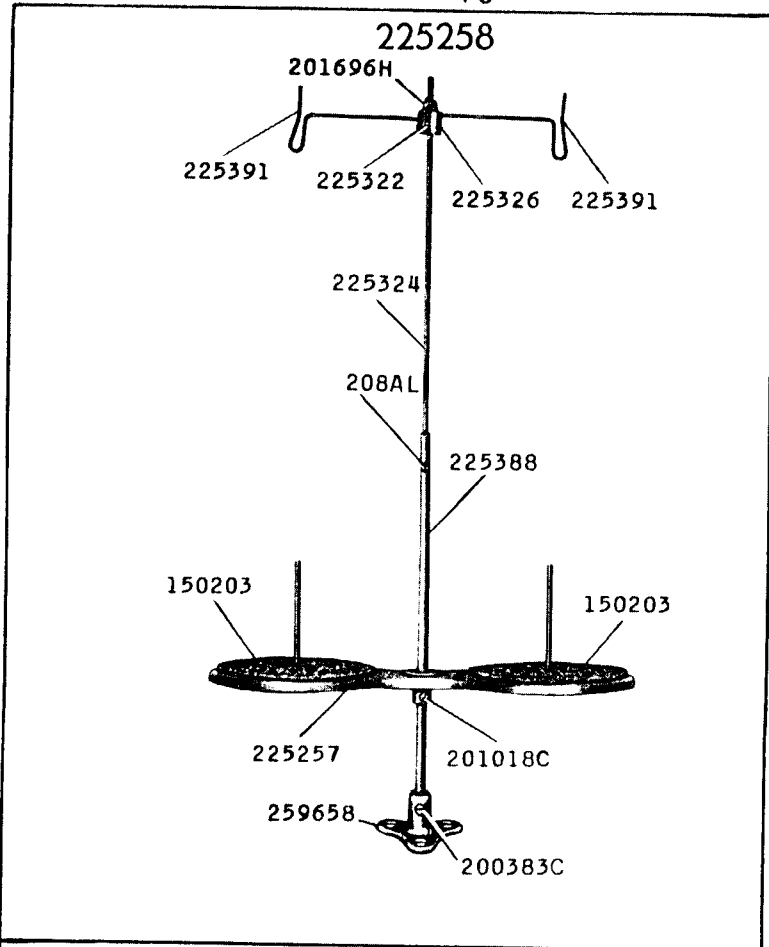
18306 - 1/2



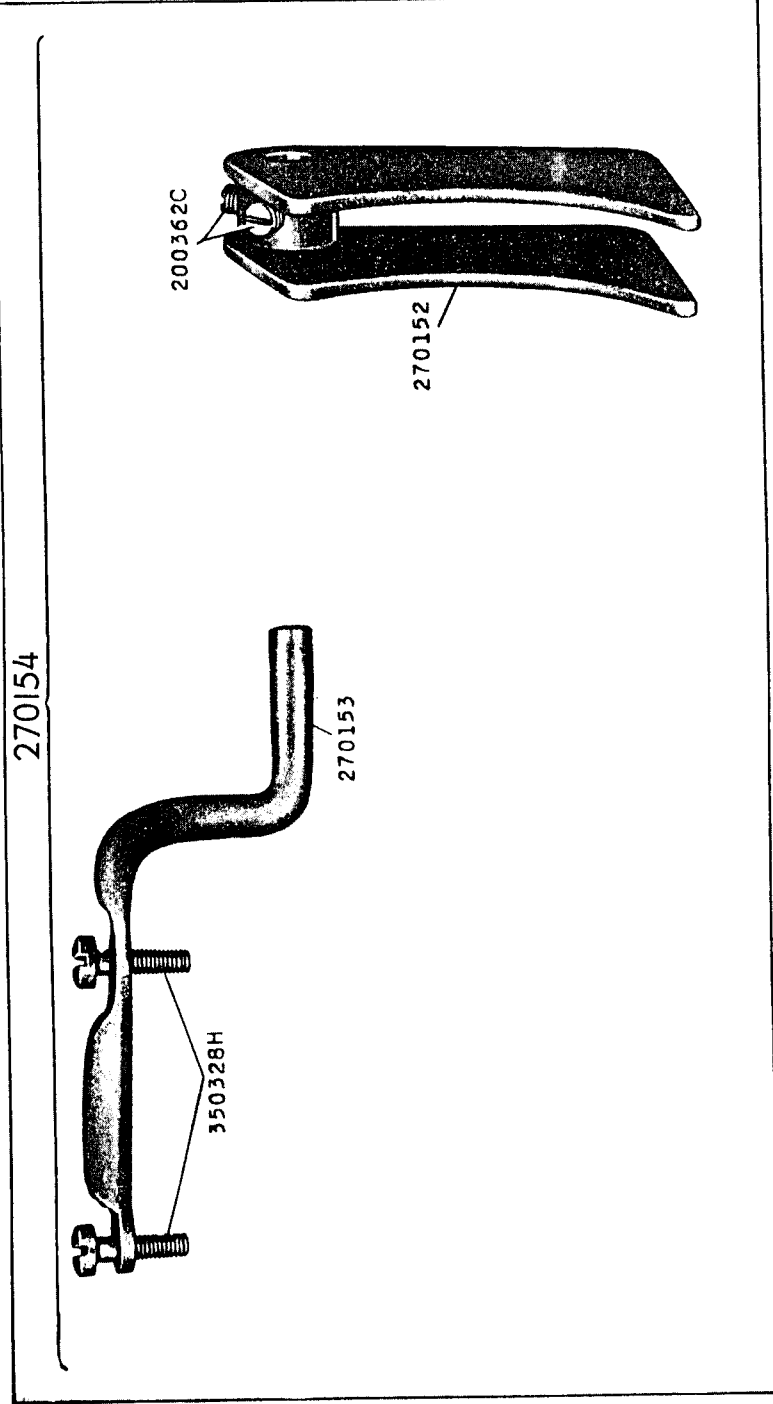
18312 - 3/8



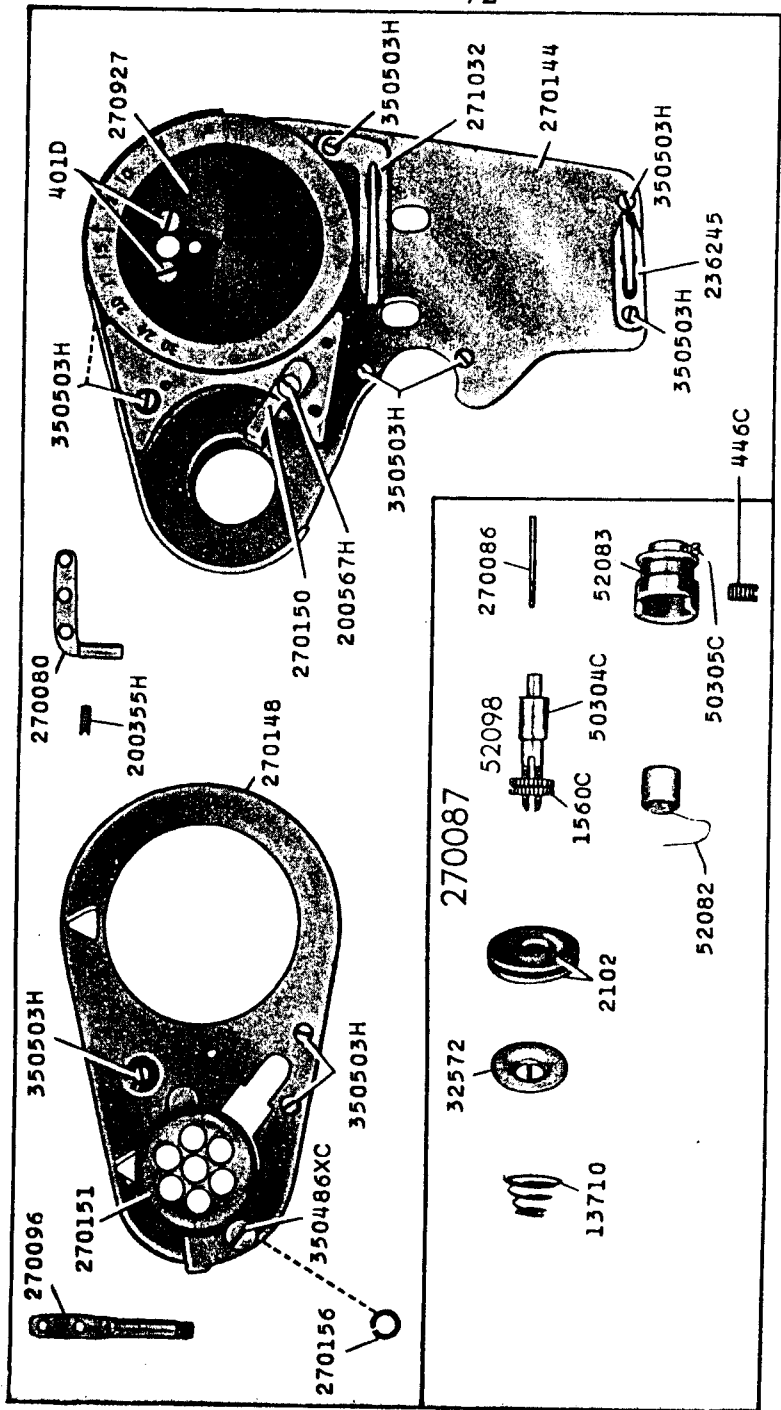
18362 - 1/6



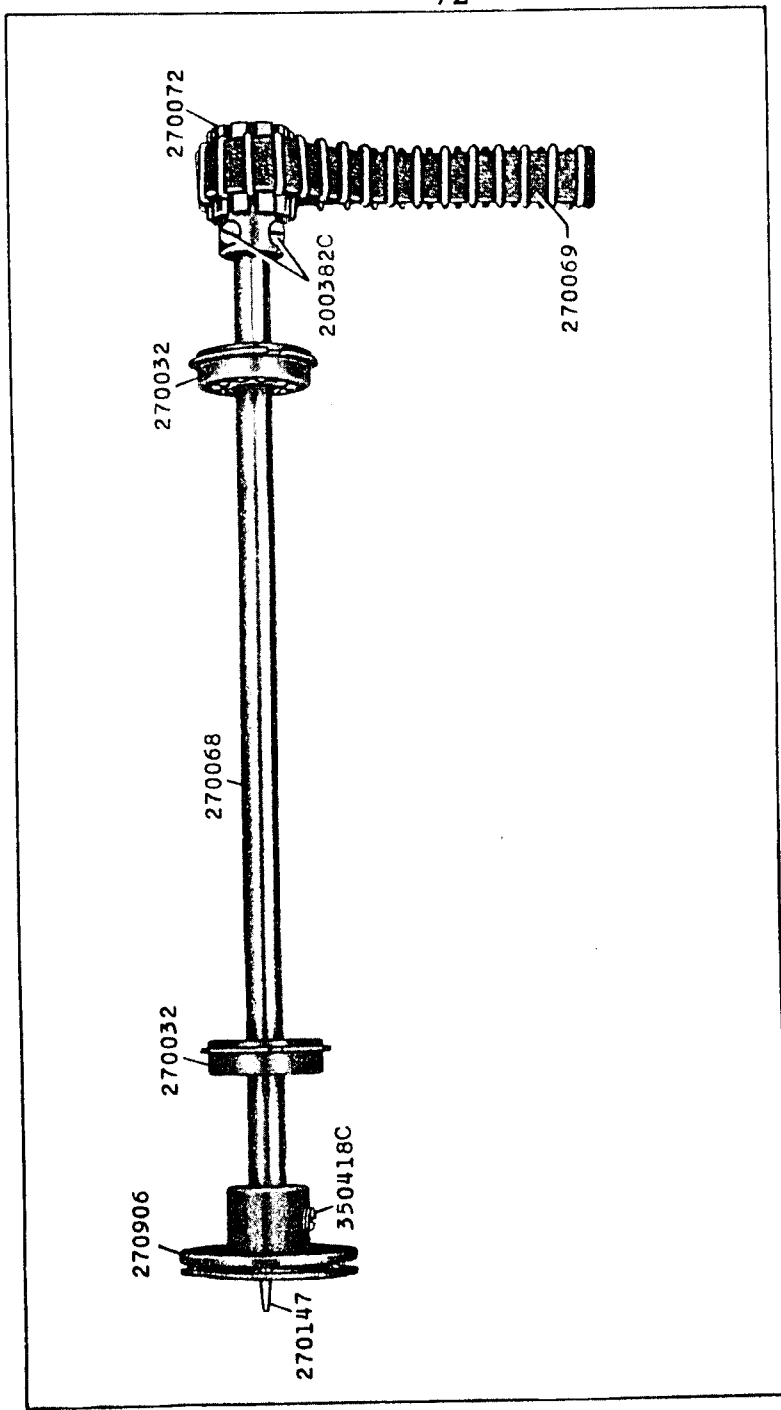
18375 - 2/3



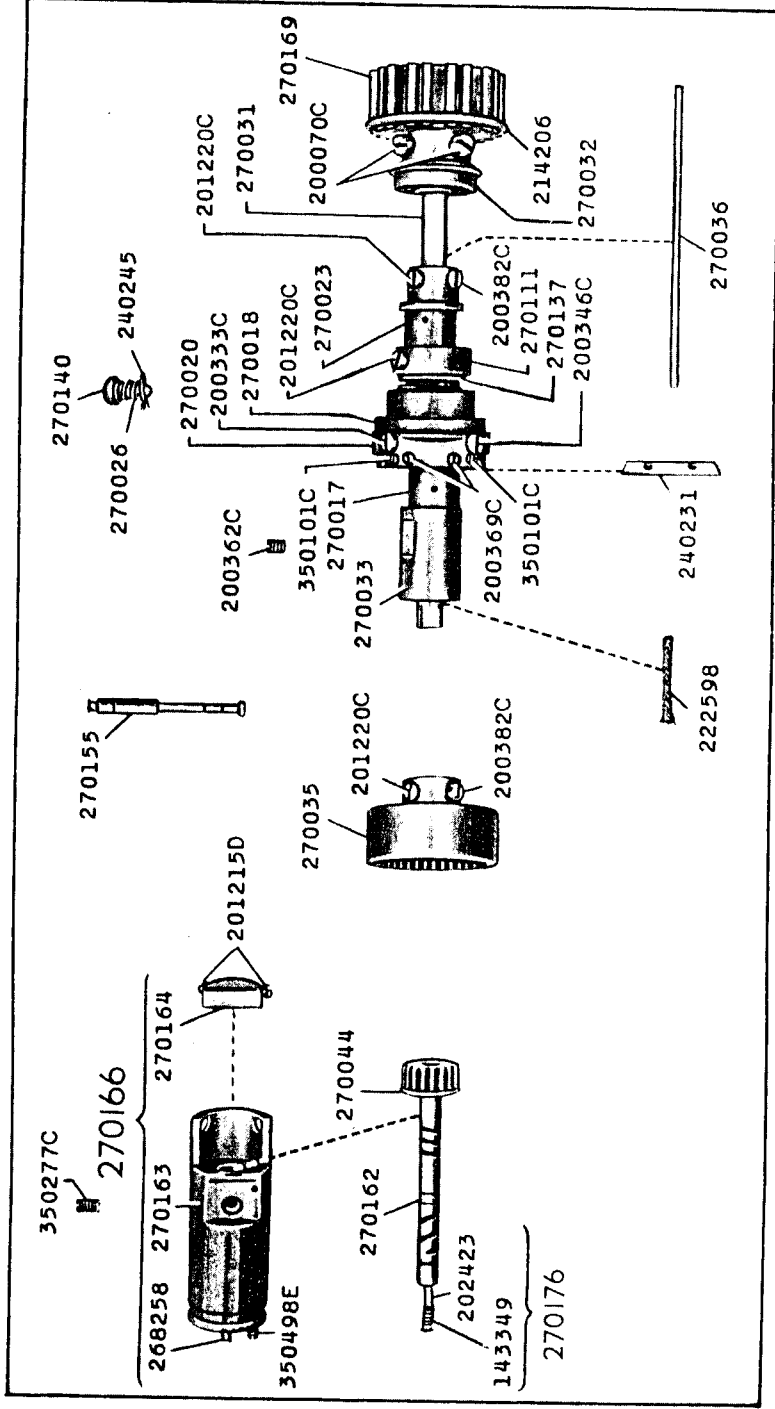
18377 - 1/2



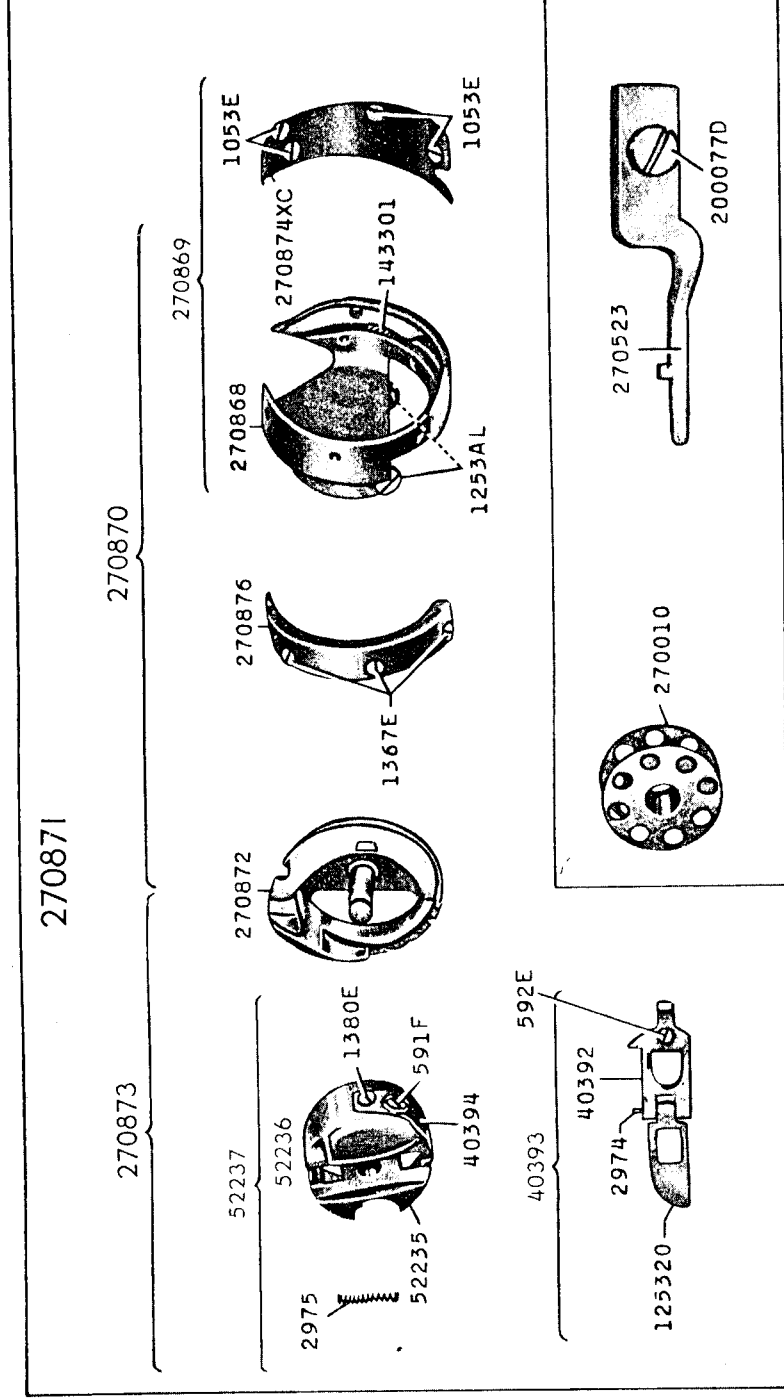
18378 - 1/2



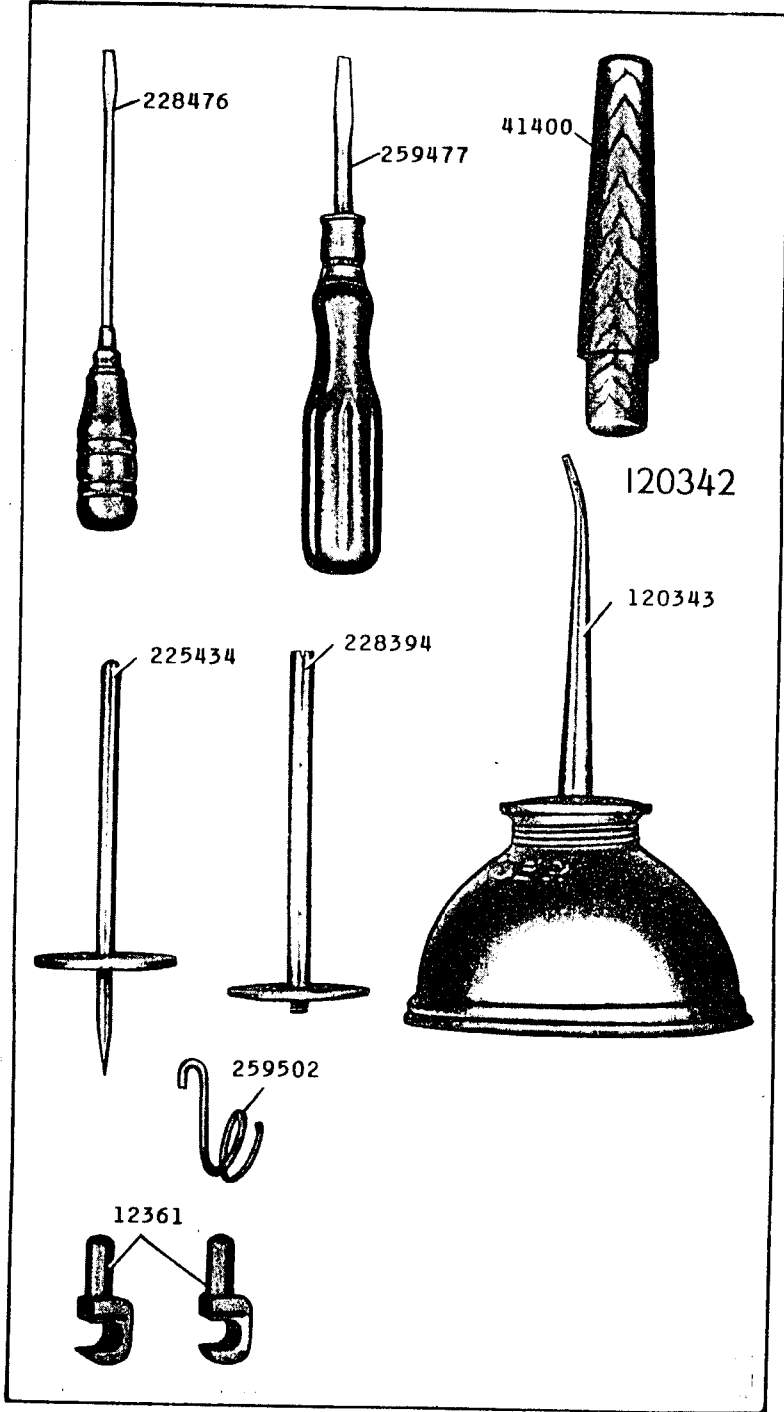
18390 - 3/8



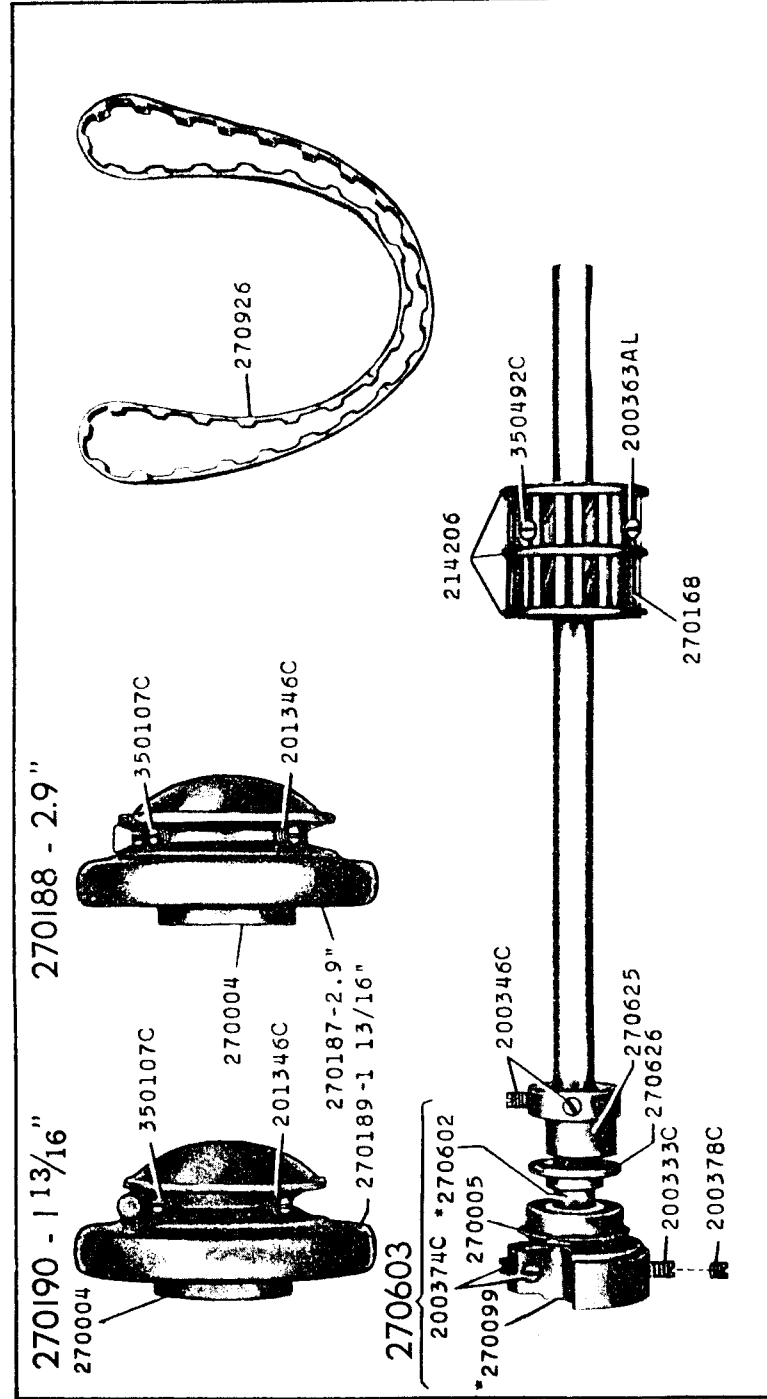
18416 - 3/4



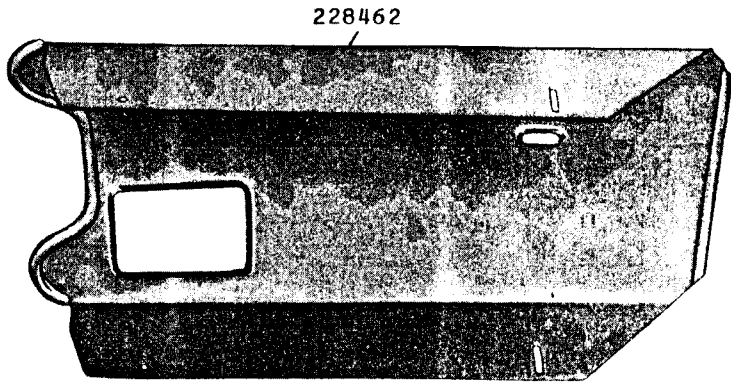
18422 - 1/2



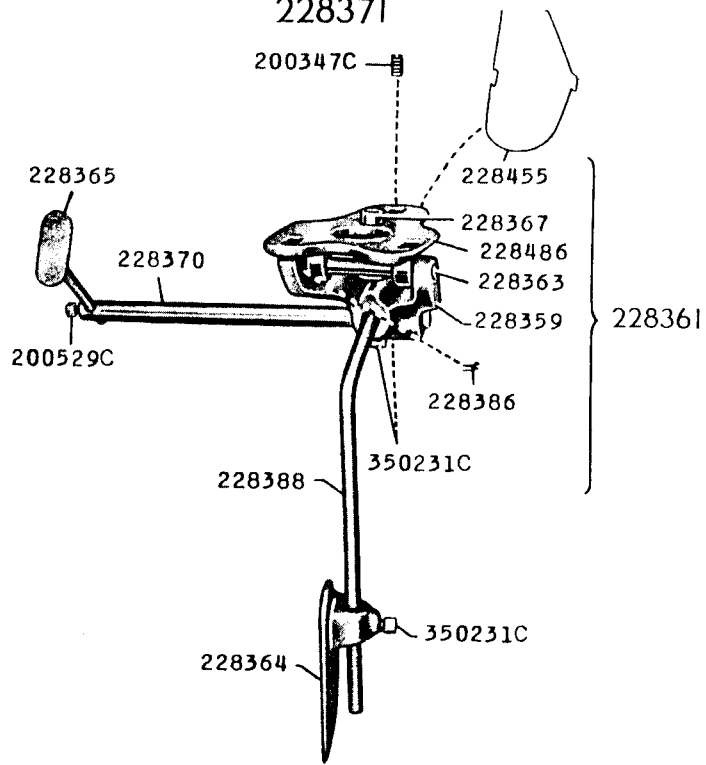
18425 - 3/8



18431 - 1/4



228371



18432 - 3/8

