

SINGER
400W3

INSTRUCTIONS FOR ORDERING

LIST OF PARTS



MACHINE No. 400w3

THE SINGER MANUFACTURING COMPANY

In ordering from this list, use ONLY the PART number in the FIRST column.

The number stamped on a Sewing Machine Part is the number of the Single Part only, except when the part includes Set Screws, Clamping Screws, Studs and Rollers Spun on, Small Wires riveted, or Parts soldered together, etc., which it is necessary to furnish in combination.

Every combination of parts sent out has its specific number which, although not stamped on Parts (except in above case), must be used when ordering the combination.

Each number always indicates the SAME PART in whatever list it appears, or for whatever Machine.

The letters after some of the numbers indicate the style of finish only, as follows:

- A. Hardened, Polished, Nickel Plated and Buffed.
- B. Polished, Nickel Plated and Buffed.
- C. Hardened only.
- D. Polished only.
- E. Soft, not polished.
- F. Hardened and Polished.
- H. Blued.
- J. Nickel Plated only.
- R. Merlized.
- X. Black Oxide.
- XC. Hardened and Black Oxide.
- Y. Black Nickel only.

These letters MUST BE USED when they appear in the list and AFTER the number, as in the list.

In this series:

200001 to 201500 and 350001 to 351500 are Screw Numbers.
201501 to 201800 and 351501 to 351800 are Nut Numbers.
201801 to 202000 and 351801 to 352000 are Roller Numbers.
202001 to 350000 are Numbers of Machine Parts.

The figures in the second column refer only to the plate in which the illustration of the part is shown and are NOT TO BE USED in ordering.

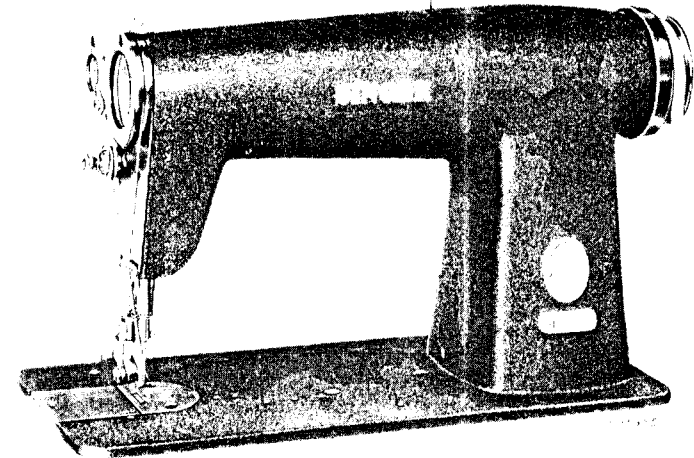
Two or more numbers over a cut indicate that the difference between such parts is not visible in an illustration.

Parts marked with an asterisk (*) are furnished when repairs are made at the factory.

LIST OF PARTS COMPLETE
FOR

INDEX

	Page
Accessories	12
Bobbin Holder	15
Bobbin Winder	12,13
Knee Lifter	13
Machine No. 400w3.....	5
Miscellaneous Parts	15
Numerical List of Parts	17
Thread Unwinder	14



MACHINE No. 400w3

DOUBLE ROTARY DISC TAKE-UP.
HIGH SPEED.

SINGLE NEEDLE. LOCK STITCH. DROP FEED.

FOR STITCHING SHOE LININGS, CANVAS AND
LEATHER BELTS AND LIGHT LEATHER WORK.

No.	Plate	Name
*270001	-----	Arm
270002	18323	" Cover Plate (back)
200041X	18323	" " " Screw (2)
204235	18323	" Position Pin (2)
200004E	18323	" Screw (3)
202005	18323	" " Washer (3)
*270094	-----	" Shaft
270098	18301	" " 270084 with 200333C, 200378C and 270099
270004	18301	Arm Shaft Ball Bearing (back)
270005	18301	" " " " (front)
224103	18301	" " Connection Belt
270006	18301	" " " " Pulley with 200363C 200439C and two 202253

PARTS FOR MACHINE No. 400w3

No.	Plate	Name
200439C	18301	Arm Shaft Connection Belt Pulley Position Screw
200363C	18301	Arm Shaft Connection Belt Pulley Set Screw
202253	18301	" " " " " Spring Flange
270101	18301	Balance Wheel (belt groove 2-1/8 in.diam.) with two 200354C
270103	18301	Balance Wheel 270101 with 270004,270102 and two 200582H
270106	18301	Balance Wheel V belt groove (outside diam. of belt groove 2.9 in.) with two 200354C
270107	18301	Balance Wheel 270106 with 270004,270102 and two 200582H
270102	18301	Balance Wheel Cap
200582H	18301	" " " " Screw
Note: Balance Wheel 270103 is furnished with this machine unless otherwise specified.		
200354C	18301	Balance Wheel Set Screw
*270008	-----	Bed
270009	18323	" Slide
*270011	18307	Face Plate
200583H	18307	" " Screw (6)
143030	18305	Feed Bar
270012	18305	" " Center (2)
200394C	18305	" " " Set Screw
52266	18305	" " Slide Block
52267	18305	" " " " 52266 with 125060
*125060	18305	" " " " Stud
12436	18324	" Dog, 11 teeth (18 teeth to the inch), for 24443
50117E	18324	Feed Dog Screw (2)
270013	18305	" Driving Connection
270014	18305	" " " 270013 with 270016
270015	18305	" " " Crank with 200040E
200040E	18305	" " " " Pinch Screw
200545C	18305	" " " Hinge Screw
201522E	18305	" " " " Nut
270016	18305	" " " Needle Bearing
270017	18304	" " Eccentric
270018	18304	" " " Adjusting Disc
248415	18304	" " " " Spring
270019	18304	" " " " "
Collar with 201220C		
201220C	18304	Feed Driving Eccentric Adjusting Disc Spring Collar Position Screw
240231	18304	Feed Driving Eccentric Friction Gib
200369C	18304	" " " " " Ad- justing Screw

PARTS FOR MACHINE No. 400w3

No.	Plate	Name
350101C	18304	Feed Driving Eccentric Friction Gib Ad- justing Screw Set Screw
270020	18304	Feed Driving Flange with 200333C,200346C, two each 200369C and 350101C
200333C	18304	Feed Driving Flange Position Screw
200346C	18304	" " " Set Screw
270021	18305	" " Rock Shaft with two 200394C
270022	18305	" " " " Center (2)
350277C	18305	" " " " Set Screw (2)
270013	18305	" Lifting Connection
270014	18305	" " " 270013 with 270016
270015	18305	" " " Crank with 200040E
200040E	18305	" " " " Pinch Screw
200545C	18305	" " " Hinge Screw
201522E	18305	" " " " Nut
270016	18305	" " " Needle Bearing
270023	18304	" " Eccentric with 200382C and 201220C
201220C	18304	Feed Lifting Eccentric Position Screw
200382C	18304	" " " Set Screw
270024	18305	" " Rock Shaft with 52267
270022	18305	" " " " Center (2)
350277C	18305	" " " " Set Screw (2)
270025	18304	" Regulating Stud
270026	18304	" " " Spring
240245	18304	" " " Retaining Spring
270045	18322	Knee Lifter Lifting Link
270046	18323	" " " " Connection
200427C	18323	" " " " Set Screw
200293C	18322	" " " " Hinge Screw
270094	18323	" " " " Rod
270048	18323	" " " " Connection
200434C	18323	" " " " Set Screw
270049	18323	" " Rock Shaft with 200427C and 200434C
270050	18322	Needle Bar with 350445F
270051	18322	" " Bushing (lower)
270052	18322	" " " (upper)
200326C	18322	" " " " Set Screw
270053	18322	" " Connecting Link
270054	18322	" " " " 270053 with 270043
270055	18322	Needle Bar Connecting Link Guide Block
200054E	18322	" " " " " "
Screw (2)		
270056	18322	Needle Bar Connecting Link Hinge Stud with 210983
200374C	18301	Needle Bar Connecting Link Hinge Stud Set Screw

No.	Plate	Name
270043	18322	Needle Bar Connecting Link Needle Bearing
270100	18322	" " " " Thrust Washer
270057	18322	" " " Stud with 200086C and 202330
202330	18322	Needle Bar Connecting Stud Oil Packing (wick)
200086C	18322	Needle Bar Connecting Stud Pinch Screw
*270099	-----	" " Crank with two 200374C
200333C	18301	" " " Position Screw
200378C	18301	" " " " Check Screw
270058	18322	" " Oiling Felt
350445F	18322	" Set Screw
270112	18322	Presser Bar
270113	18322	Presser Bar complete, Nos.190D,19442,19443, 24445 and 270112
270114	18322	Presser Bar Bushing
270061	18322	" " Lifter
350442C	18322	" " " Hinge Screw
270062	18322	" " Lifting Releasing Lever Bracket
270095	18322	" " " " " "
		Spring
270063	18322	Presser Bar Position Guide with 200196E and 350411C
350411C	18322	Presser Bar Position Guide Pinch Screw
270064	18323	" " Spring
350435C	18323	" " " Screw (pressure regu- lating)
270065	18323	Presser Bar Spring Stud
51901	18324	Roller, 7/8 in. diam., 1/8 in. face (fine) ball bearing complete, Nos.1528J, 201699F,350104F and twenty-eight 206417
62855	18324	Roller Arm
19442	18322	" " Bracket
19443	18322	" " " Collar with 456C
456C	18322	" " " Set Screw
987E	18322	" " " Screw Stud
19444	18322	" " " Spring
19445	18322	" " " Pin
19446	18322	" " " Stud
24445	18322	Roller Arm Bracket Spring Stud complete, Nos.987E and 19444 to 19446
206417	18324	Roller Ball 1/16 in. diameter
201699F	18324	" " Retaining Nut
350104F	18324	" Screw
1528J	18324	" Nut
62861	18324	Roller Presser (ball bearing) complete, 7/8 in. fine roller with roller set 1/8 in. beyond center of needle, Nos.51901 and 62855
190D	18322	Roller Presser Screw

No.	Plate	Name
270066	18307	Rotary Take-up (large)
210983	18322	" " " Position Pin
401D	18307	" " " Screw (2)
270067	18302	" " " (small) with 350418C
270068	18302	" " " Driving Shaft
270032	18302	" " " " " Ball Bearing (2)
270069	18302	Rotary Take-up (small) Driving Shaft Connection Belt
270070	18301	Rotary Take-up (small) Driving Shaft Driving Pulley with two each 200363C and 270071
200363C	18301	Rotary Take-up (small) Driving Shaft Driving Pulley Set Screw
270071	18301	Rotary Take-up (small) Driving Shaft Driving Pulley Spring Flange
270072	18302	Rotary Take-up (small) Driving Shaft Pulley with two 200382C
200382C	18302	Rotary Take-up (small) Driving Shaft Pulley Set Screw
270073	18302	Rotary Take-up (small) Hub Cover
350418C	18302	" " " Set Screw
270074	18302	" " " Thread Shearing Block
201253F	18302	Rotary Take-up (small) Thread Shearing Block Screw
270075	18307	Rotary Take-up Guard
200583H	18307	" " " Screw (2)
270027	18303	Rotating Hook with three 1253C
270028	18303	" " 270027 with 270083 and four 1053E
270029	18303	Rotating Hook 270028 with 40274,127242 and three 1367E
270030	18303	Rotating Hook 270029 with 52237
270010	18303	" " Bobbin
52235	18303	" " " Case
52236	18303	" " " 52235 with 591F, 1380E and 40394
40393	18303	Rotating Hook Bobbin Case Hinge, Nos.2974 40392 and 125320
127242	18303	Rotating Hook Bobbin Case Holder
52018	18303	" " " " " Position Bracket
200077D	18303	Rotating Hook Bobbin Case Holder Position Bracket Screw
40392	18303	Rotating Hook Bobbin Case Latch
125320	18303	" " " " " Lever
2974	18303	" " " " " Fulcrum Pin

No.	Plate	Name
2975	18303	Rotating Hook Bobbin Case Latch Spring
592E	18303	" " " " " Stop Screw
40394	18303	" " " " " Tension Spring
591F	18303	" " " " " " "
		Regulating Screw
1380E	18303	Rotating Hook Bobbin Case Tension Spring Screw
52237	18303	Rotating Hook Bobbin Case complete, Nos. 592E, 2975, 40394 and 52236
127241	18303	Rotating Hook Bobbin Case 52237 with 127242
270031	18304	Rotating Hook Driving Shaft
270032	18304	" " " " " Ball Bearing
270033	18304	" " " " " Bushing with 222598
222598	18304	Rotating Hook Driving Shaft Bushing Oil Packing (wick)
200362C	18304	Rotating Hook Driving Shaft Bushing Set Screw
270034	18304	Rotating Hook Driving Shaft Connection Belt Pulley with 202253 and two 200070C
200070C	18304	Rotating Hook Driving Shaft Connection Belt Pulley Set Screw
202253	18304	Rotating Hook Driving Shaft Connection Belt Pulley Spring Flange
270035	18304	Rotating Hook Driving Shaft Gear (Internal teeth) with 200382C and 201220C
201220C	18304	Rotating Hook Driving Shaft Gear Position Screw
200382C	18304	Rotating Hook Driving Shaft Gear Set Screw
270036	18304	" " " " " Oil Lead Wire
270037	18304	" " " " " Oil Feeder
201215D	18304	" " " " " Screw (2)
270038	18323	" " " " " Reservoir Cover
270039	18323	" " " " " Gasket
200041X	18323	" " " " " Screw (6)
270082	18304	" " " " " Oil Gauge
40274	18303	" " " " " Section
1367E	18303	" " " " " Screw
1253C	18303	" " " " " Set Screw
270040	18304	" " " " " Shaft
270041	18304	" " " " " Bushing
270042	18304	" " " " " 270041 with two 270043
350277C	18304	Rotating Hook Shaft Bushing Set Screw
270043	18304	" " " " " Needle Bearing (2)
224390	18304	" " " " " Oil Packing (wick)
270044	18304	" " " " " Thrust Washer

No.	Plate	Name
270083	18303	Rotating Hook Thread Guard
1053E	18303	" " " " " Screw
2102	18307	Tension Disc
270076	18322	" " Releaser (adjustable)
200132E	18322	" " " " " Screw
32572	18307	" " Releasing Disc
270086	18307	" " " " " Pin
13710	18307	" " Spring
50304C	18307	" " Stud
52098	18307	" " " 50304C with 1560C
50305C	18307	" " " Set Screw
1560C	18307	" " Thumb Nut
270087	18307	Tension complete, Nos. 13710, 32572, 52082, 52083, 52098, 270086 and two 2102
270096	18307	Thread Guide
210954	18307	" " " (lower)
270077	18322	" " " (on needle bar bushing)
200580H	18307	" " " " " Screw
270079	18322	" " " " " Pull-off
200196E	18322	" " " " " Set Screw
270080	18307	" " " " " Retainer
200355H	18307	" " " " " Set Screw
270078	18307	" " " " " Shearing Finger
350447D	18307	" " " " " " " Screw
270115	18307	" " " " " " " Washer
52082	18307	" " " " " Take-up Spring
52083	18307	" " " " " " " Regulator with 50305C
446C	18307	" " " " " " " Set Screw
24443XC	18324	Throat Plate, small oblong needle hole, for 12436
691F	18324	Throat Plate Screw (2)

Genuine Singer Needles should be used
in Singer Machines.
These Needles and their Containers
are marked with the
Company's Trade Mark "SIMANCO." 1

Needles in Containers marked
"For Singer Machines"
are not Singer made needles. 2

ACCESSORIES

No.	Plate	Name
26485	18325	Screw Driver (small)
270010	18303	Rotating Hook Bobbin (2)
228372	18311	Drip Pan with four 1 in. wire nails
88 x 2	18322	Needles six, size 10
12361	18325	Machine Hinge Connection (2)
41400	18325	" Rest Pin (wood)
120342	18325	Oiler (copper plated) with 120343
120343	18325	" Spout (3-1/2 in. long)
259477	18325	Screw Driver 5 in. long
4822	18325	Roller Screw Nut Wrench

BOBBIN WINDER

(SWINGING AUTOMATIC, RIGHT HAND)

259428	18312	Brake (leather)
259429	18312	" Clamp
200113F	18312	" " Screw
225453	18312	Frame with 202277 and 225438
225454	18312	" Hinge Pin
202277	18312	" Oil Packing (wick)
225438	18312	" " Well Cap
225455	18312	" Spring
225456	18312	" " Plunger
225368	18312	Pulley with 200380C
200380C	18312	" Set Screw
225381	18312	Spindle
225444	18312	Stop Latch
200056E	18312	" " Screw
225458	18312	" " Thumb Lever
225459	18312	" " " " Hinge Stud
225459	18312	" " " " Joint Stud
202478	18312	" " Trip Lever
200299H	18312	" " " " Hinge Screw
225461	18312	Tension Bracket with 201499B
200082D	18312	" " Screw
228026	18312	" " " Washer
2102	18312	" Disc
13710	18312	" Spring
201499B	18312	" Stud
201572B	18312	" " Thumb Nut

No.	Plate	Name
225462	18312	Bobbin Winder Tension Bracket complete, Nos. 13710, 201572B, 225461 and two 2102
259430	18312	Bobbin Winder and Tension Bracket Base
259431	18312	Universal Bobbin Winder complete, Nos. 200056E, 200082D, 200113F, 200299H, 202478, 225368, 225381, 225444, 225453 to 225456, 225458, 225462, 228026, 259428 to 259430 two each 225459 and wood screws 3/4 in., No. 12, R.H.B.

KNEE LIFTER

228360	18311	Rock Lever Bracket with 200347C and three wood screws 7/8 in., No. 12
228361	18311	Rock Lever Bracket 228360 with 228359, 228363, 228367 and 228386
228359	18311	Rock Lever with two 350231C
228370	18311	" " Extension with 200529C
350231C	18311	" " " " Set Screw
228363	18311	" " Hinge Pin
228364	18311	" " Knee Plate with 350231C
228388	18311	" " " " Arm
350231C	18311	" " " " " Set Screw
350231C	18311	" " " " " Set Screw
228365	18311	" " Rod
200529C	18311	" " " Set Screw
228386	18311	" " Spring
228367	18311	" " Stop Stud
200347C	18311	" " " " " Set Screw
228371	18311	Knee Lifter Rock Lever complete, Nos. 228361, 228364, 228365, 228370 and 228388

(Other Knee Lifter parts are listed with parts of machine head.)

BOBBIN WINDER

(SWINGING AUTOMATIC, RIGHT HAND)

FOR "V" BELT DRIVE

259428	18312	Brake (leather)
259429	18312	" Clamp
200113F	18312	" " Screw
225453	18312	Frame with 202277 and 225438
225454	18312	" Hinge Pin
202277	18312	" Oil Packing (wick)
225438	18312	" " Well Cap

No.	Plate	Name
225455	18312	Frame Spring
225456	18312	" " Plunger
259461	18312	Pulley with 200380C
200380C	18312	" Set Screw
225381	18312	Spindle
225444	18312	Stop Latch
200056E	18312	" " Screw
225458	18312	" " Thumb Lever
225459	18312	" " " " Hinge Stud
225459	18312	" " " " Joint Stud
202478	18312	" " Trip Lever
200299H	18312	" " " " Hinge Screw
225461	18312	Tension Bracket with 201499B
200082D	18312	" " Screw
228026	18312	" " " " Washer
2102	18312	" Disc
13710	18312	" Spring
201499B	18312	" Stud
201572B	18312	" " Thumb Nut
225462	18312	Bobbin Winder Tension Bracket complete, Nos.13710,201572B,225461 and two 2102
259430	18312	Bobbin Winder and Tension Bracket Base
259462	18312	Universal Bobbin Winder complete, Nos. 200056E,200082D,200113F,200299H,202478, 225381,225444,225453 to 225456,225458, 225462,228026,259428 to 259430,259461, two each 225459 and wood screws 3/4 in. No.12,R.H.B.

THREAD UNWINDER

FOR TWO SPOOLS

225257	17900	Spool Rest (for two spools) (flat) with 201018C
150203	17900	Spool Rest Cushion (felt)
225388	17900	" " Rod
200383C	17900	" " " Set Screw
201018C	17900	" " Set Screw
202490	17900	" Stand with 200383C
225391	17900	Thread Guide
201696J	17900	" " Lock Nut
225326	17900	" " Position Cup
225324	17900	" " Rod with 208E and 225322
208E	17900	" " " Screw
225322	17900	" " " Washer

No.	Plate	Name
225258	17900	Thread Unwinder (for two spools) com- plete, Nos. 201696J, 202490, 225257, 225324, 225326, 225388, two each 150203, 225391, and three wood screws 7/8 in., No.12

MISCELLANEOUS PARTS

USED IN CONJUNCTION WITH THREAD UNWINDER

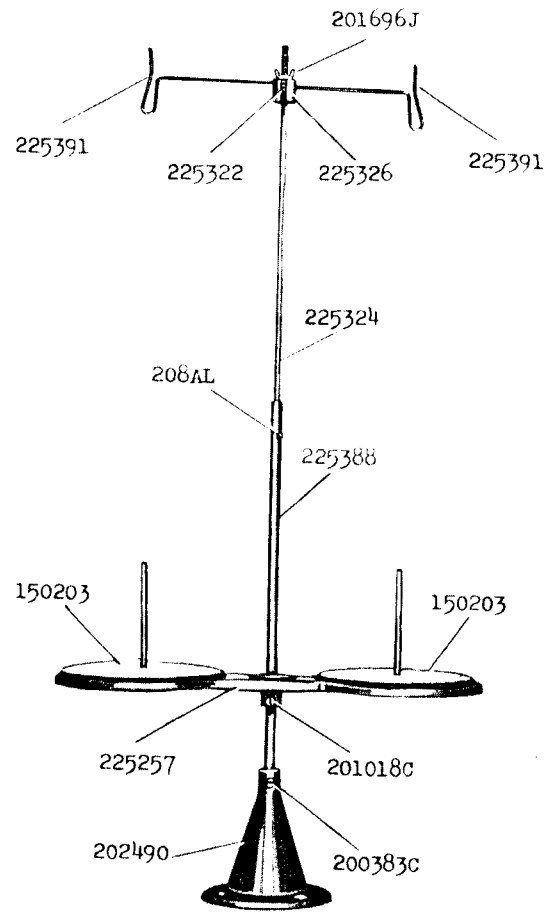
60913	17900	Spool Weight with 60914
60914	17900	" " Center Pin
225377	17900	" Wire, for small spools
27739	17900	Thread Cone (wood)
225390	17900	" " Holder

BOBBIN HOLDER

225434	18325	Bobbin Holder
--------	-------	---------------

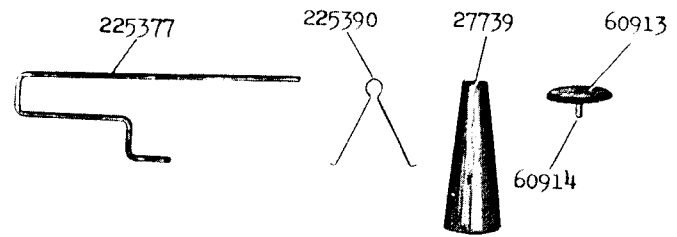
17900 - 1/6

225258

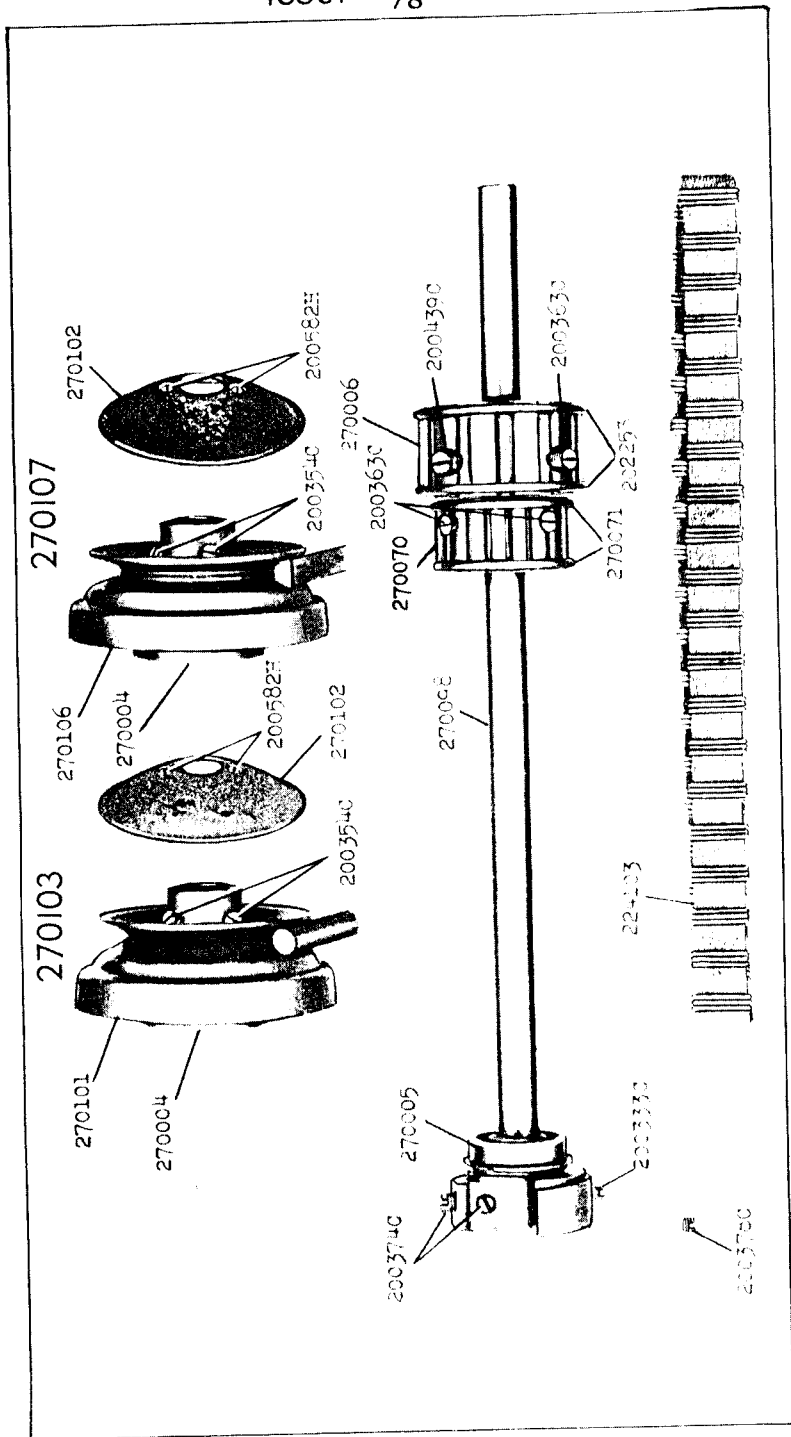


Genuine Singer Needles should be used
in Singer Machines.
These Needles and their Containers
are marked with the
Company's Trade Mark "SIMANCO." 1

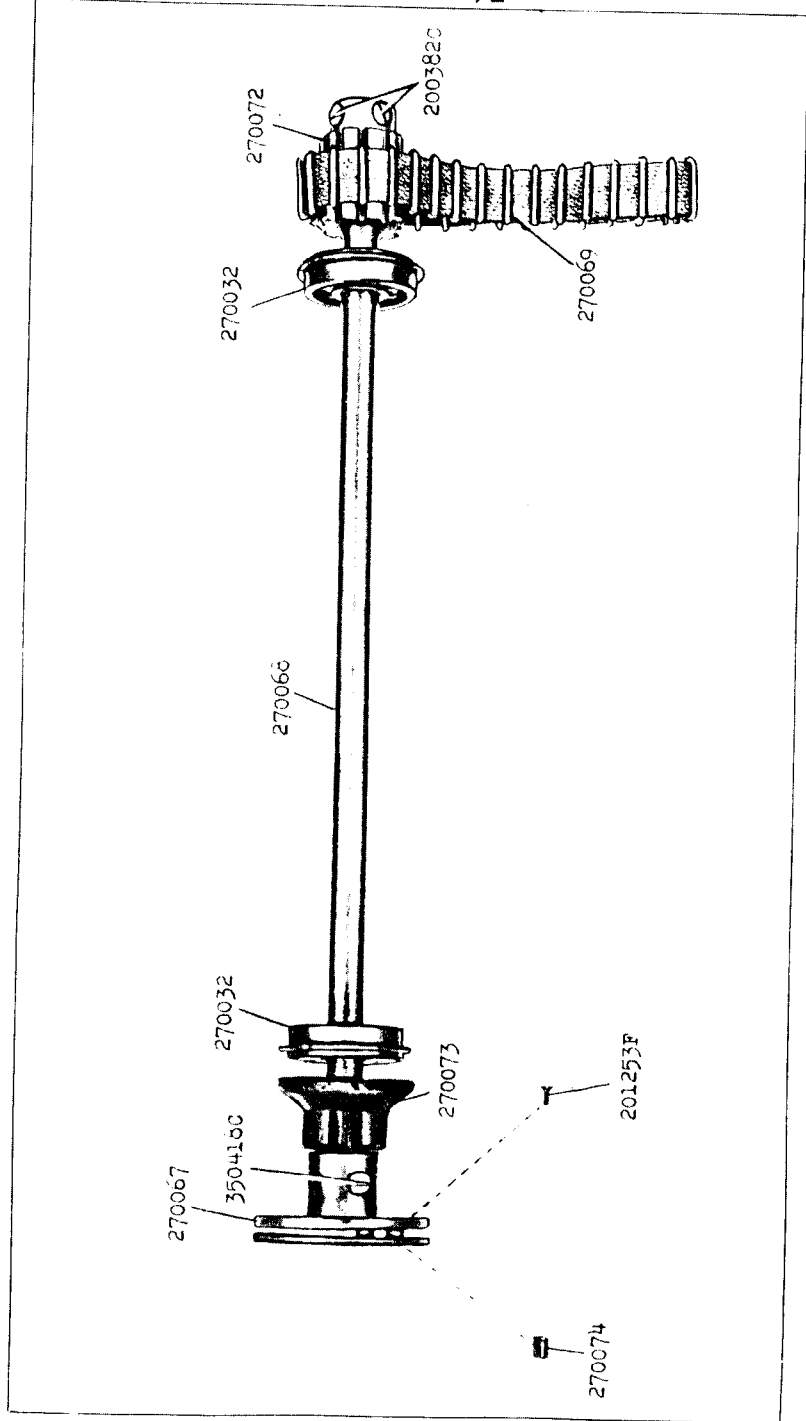
Needles in Containers marked
"For Singer Machines"
are not Singer made needles. 2

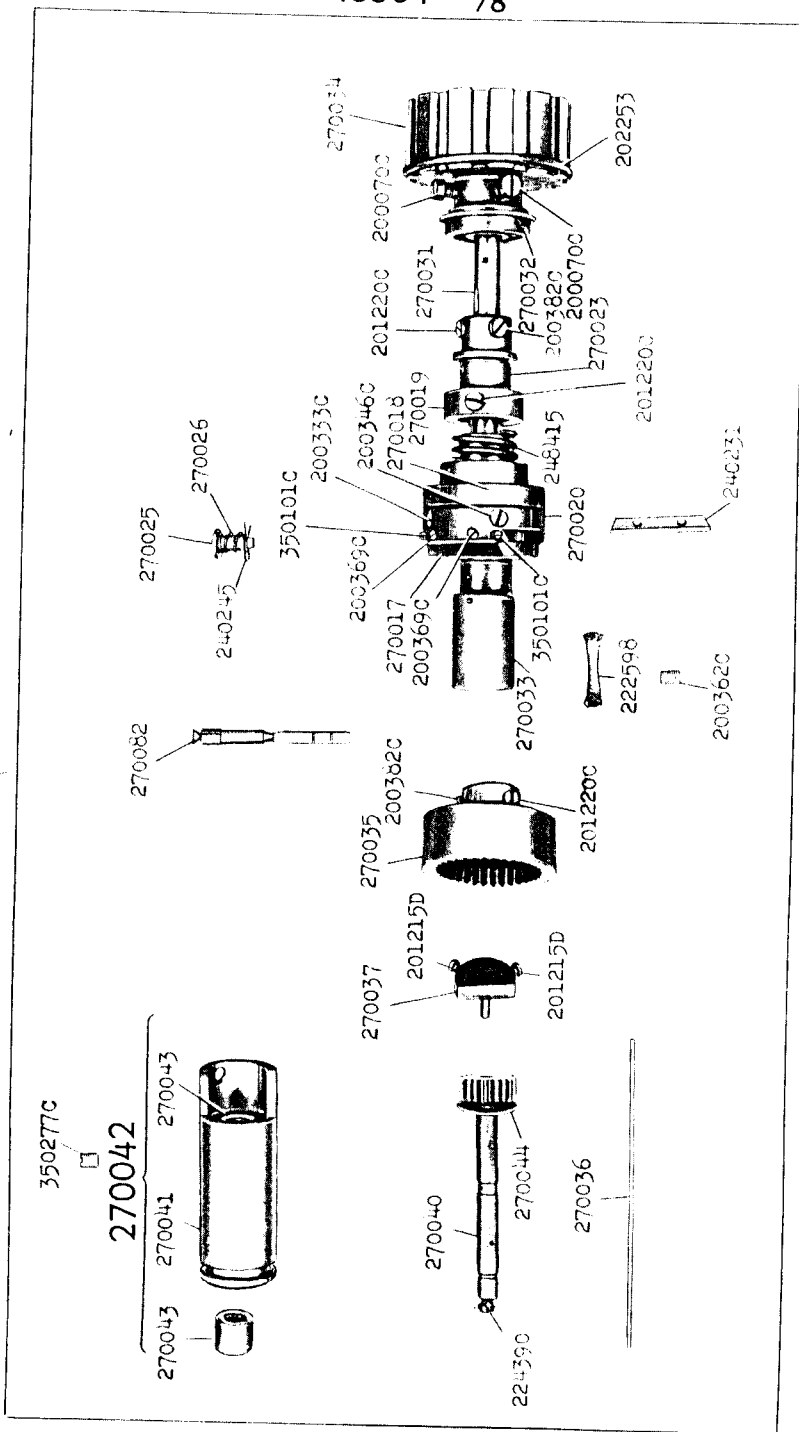
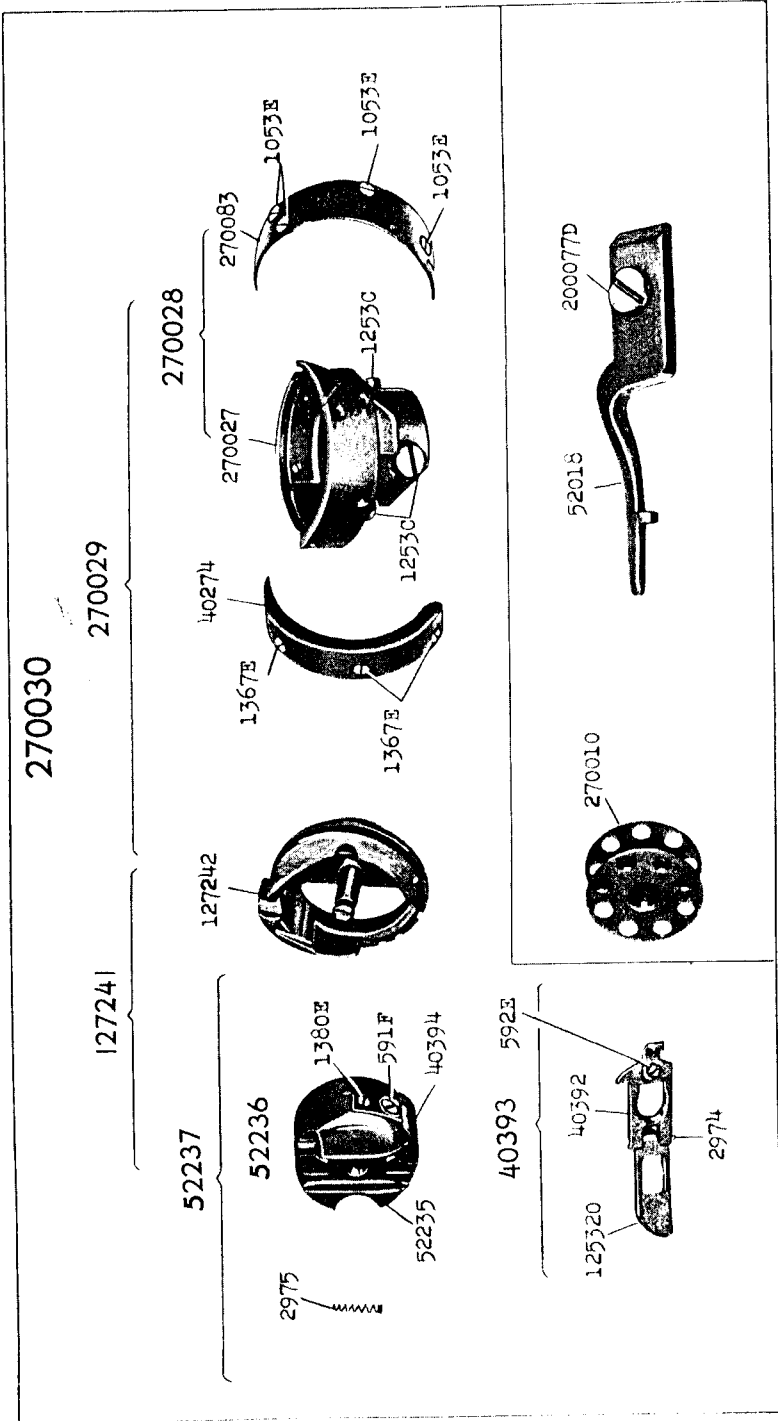


18301 - 3/8

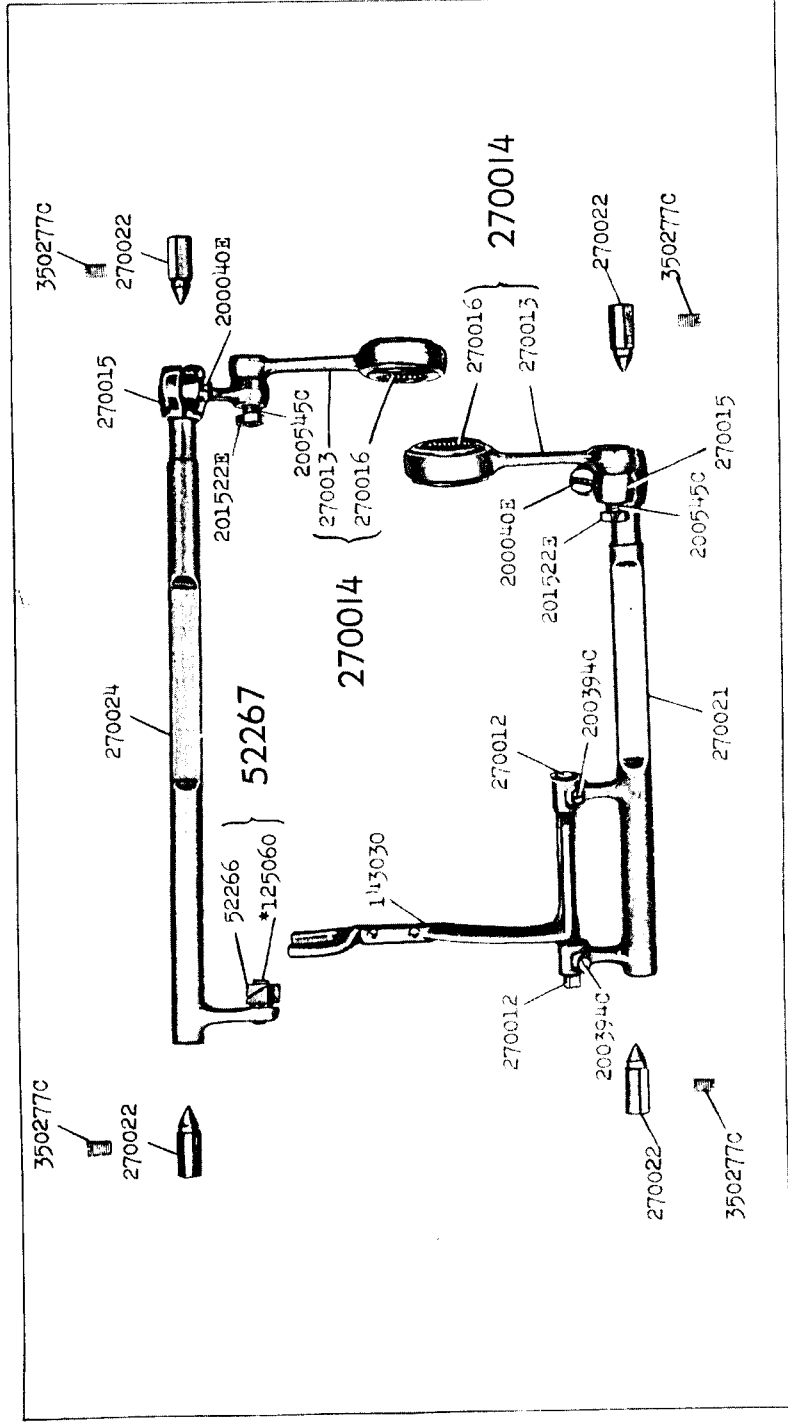


18302 - 1/2

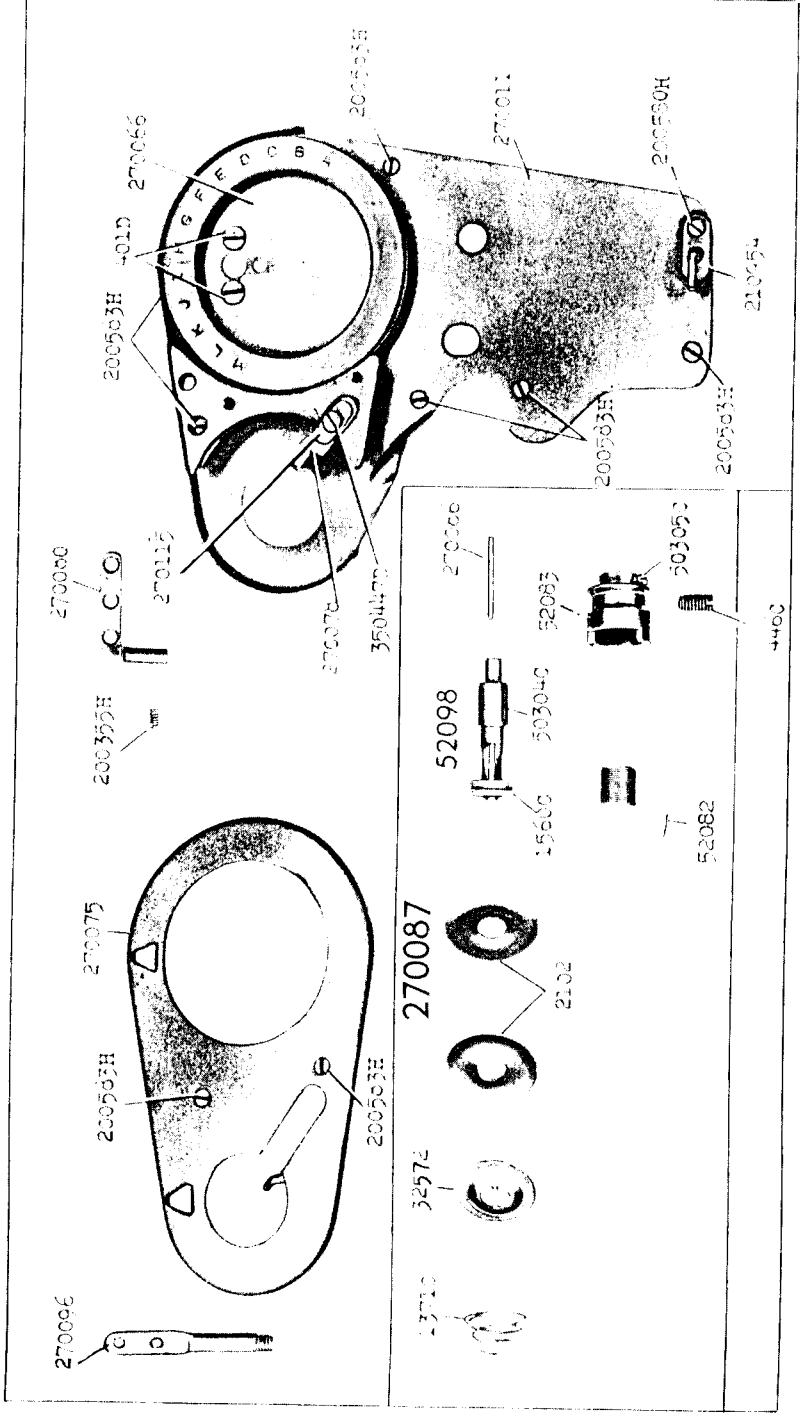




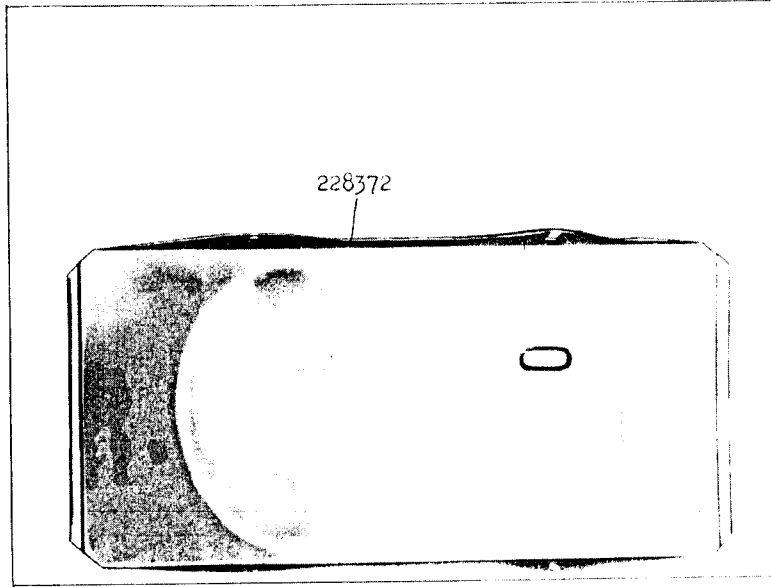
18305 - 3/8



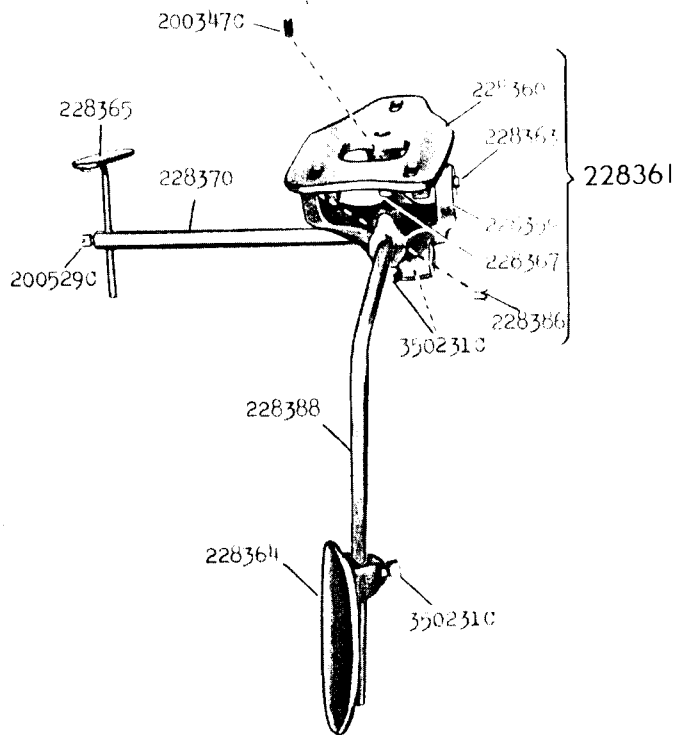
18307 - 1/2



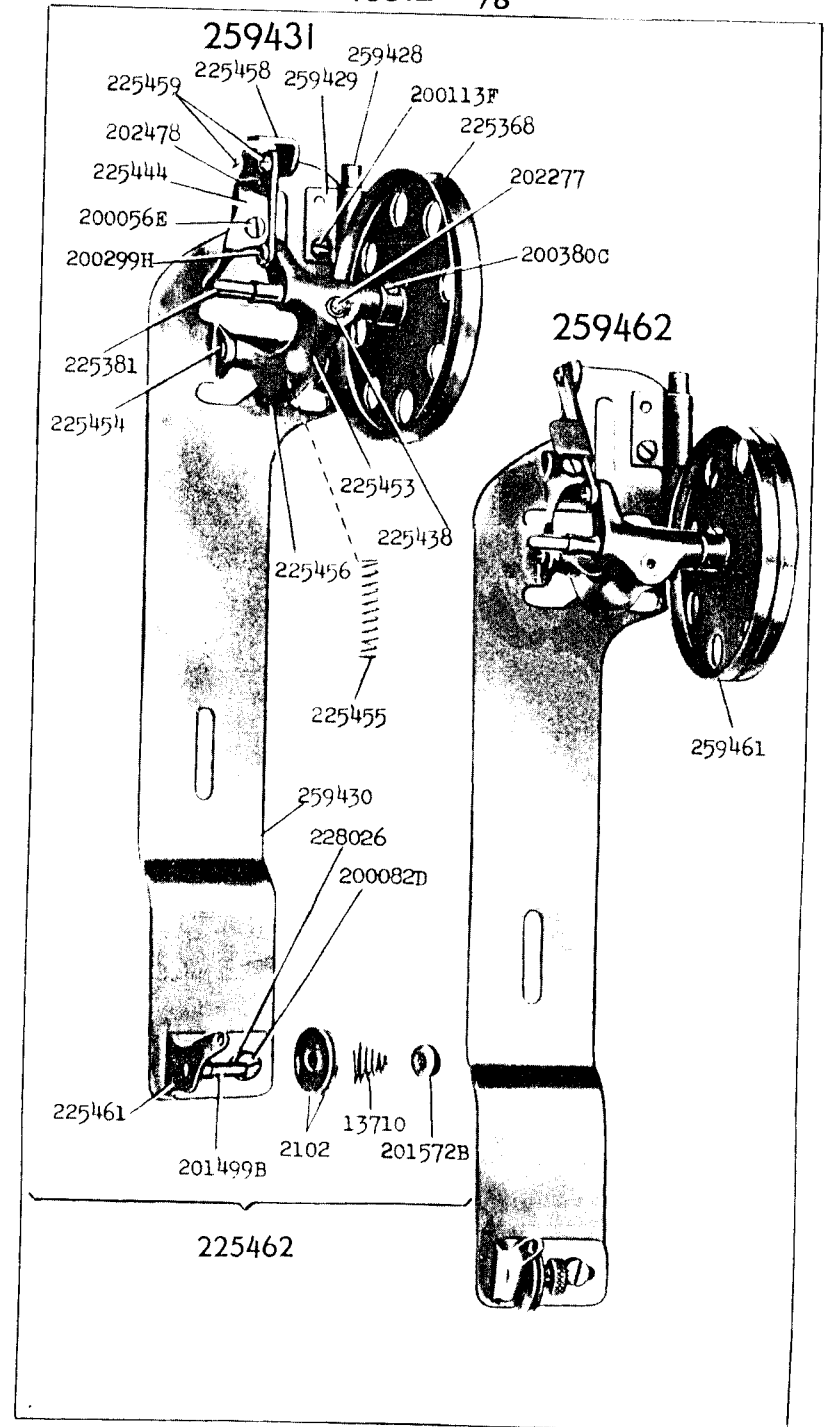
18311 - 1/4



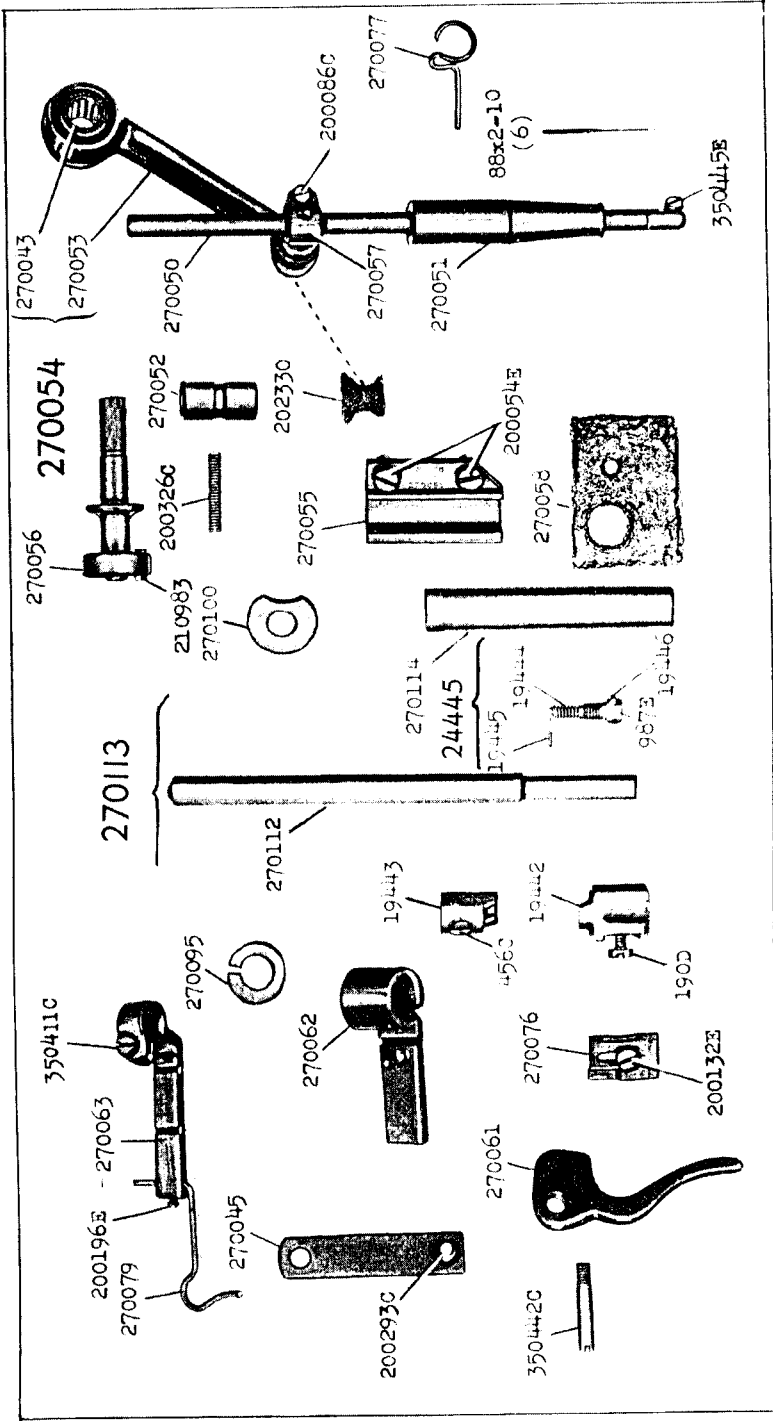
228371



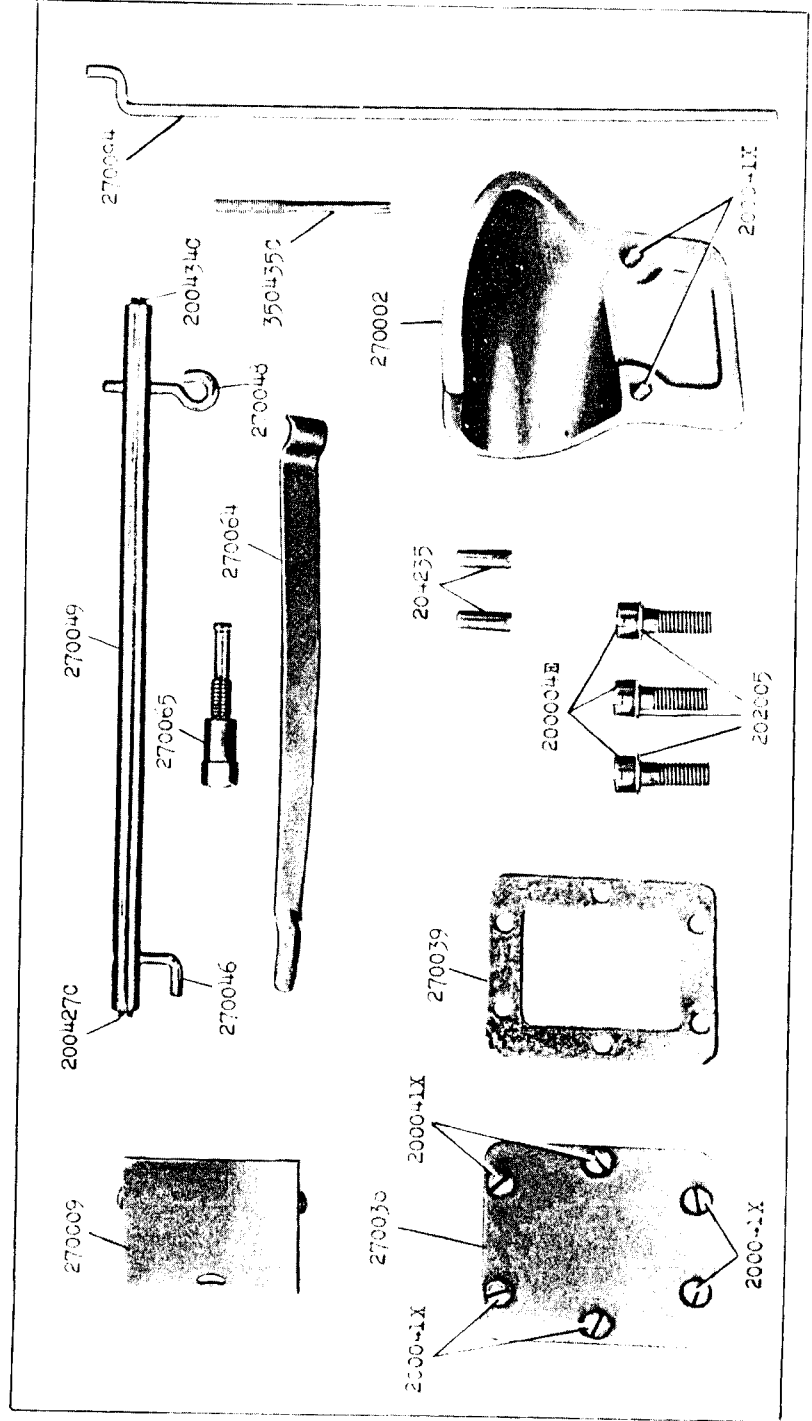
18312 - 3/8



18322 - 1/2

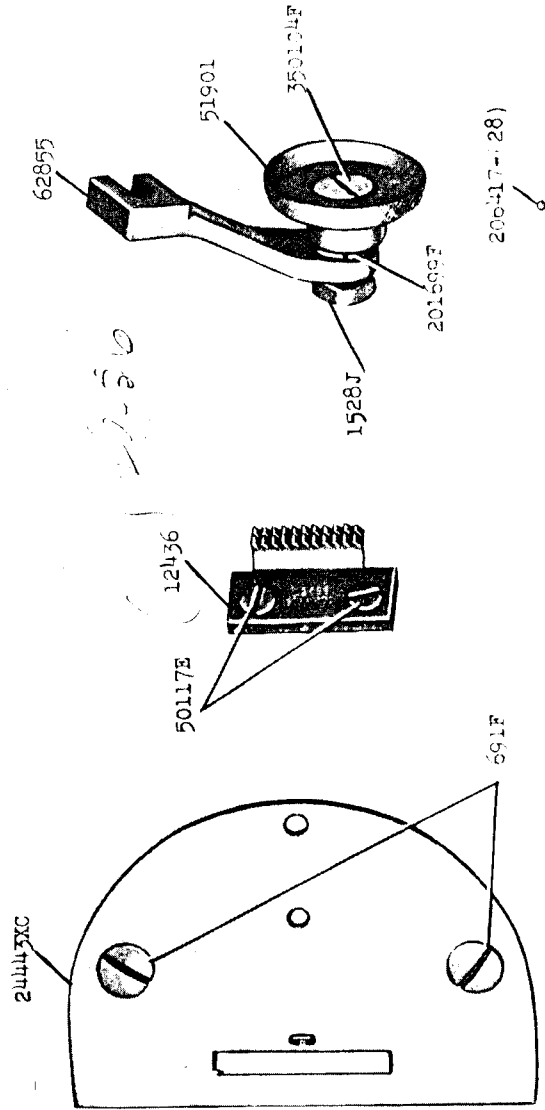


18323 - 3/8



18324

62861



18325 - 1/2

