

SINGER
402W100

Form 3050w

(151)

Printed in U. S. A.

HISTORICAL COPY
DO NOT REMOVE

LIST OF PARTS



MACHINE No. 402w100

** A TRADE MARK OF

THE SINGER MANUFACTURING COMPANY

INSTRUCTIONS FOR OILING

BEFORE STARTING THE MACHINE, fill reservoir in base to "high" mark. Inspect often enough to keep oil level from going below "low" mark in base.

To ensure easy running and prevent unnecessary wear of the parts which are in movable contact, the machine requires oiling and when in continuous use, "TYPE A" or "TYPE C" OIL, sold only by Singer Sewing Machine Company, should be applied at the beginning of each working day to all oil holes marked "OIL", as instructed in Form 3034w.

"TYPE C" OIL is stainless.

INDEX

| | PAGE |
|-------------------------|---------|
| ACCESSORIES | 12 |
| BELT GUARD | 13 |
| BOBBIN HOLDER | 14 |
| BOBBIN WINDERS | 12 & 14 |
| FINGER GUARD | 14 |
| KNEE LIFTER | 13 |
| MACHINE No. 402w100 | 5 |
| MISCELLANEOUS PARTS | 15 |
| NUMERICAL LIST OF PARTS | 17 |
| SPOOL PIN | 14 |
| THREAD UNWINDER | 15 |

INSTRUCTIONS FOR ORDERING

In ordering from this list, use **ONLY** the **PART** number in the **FIRST** column.

The number stamped on a Sewing Machine Part is the number of the Single Part only, except when the part includes Set Screws, Clamping Screws, Studs and Rollers Spun on, Small Wires riveted, or Parts soldered together, etc., which it is necessary to furnish in combination.

Every combination of parts sent out has its specific number which, although not stamped on Parts (except in above case), must be used when ordering the combination.

Each number always indicates the **SAME PART** in whatever list it appears, or for whatever Machine.

The letters after some of the numbers indicate the style of finish only, as follows:

- A. Hardened, Polished, Nickel Plated and Buffed.
- B. Polished, Nickel Plated and Buffed.
- C. Hardened only.
- D. Polished only.
- E. Soft, not polished.
- F. Hardened and Polished.
- H. Blued.
- J. Nickel Plated only.
- R. Merlized.
- X. Black Oxide, for Iron and Steel.
- XC. Hardened and Black Oxide, for Iron or Steel.
- Y. Black Nickel Plated only.

These letters **MUST BE USED** when they appear in the list and **AFTER** the number, as in the list.

In this series

1 to 1500, 200001 to 201500 and 350001 to 351500 are Screw Numbers.
1501 to 1800, 201501 to 201800 and 351501 to 351800 are Nut Numbers.
1801 to 2000, 201801 to 202000 and 351801 to 352000 are Roller Numbers.
2001 to 50000 and 202001 to 350000 are Numbers of Machine Parts.

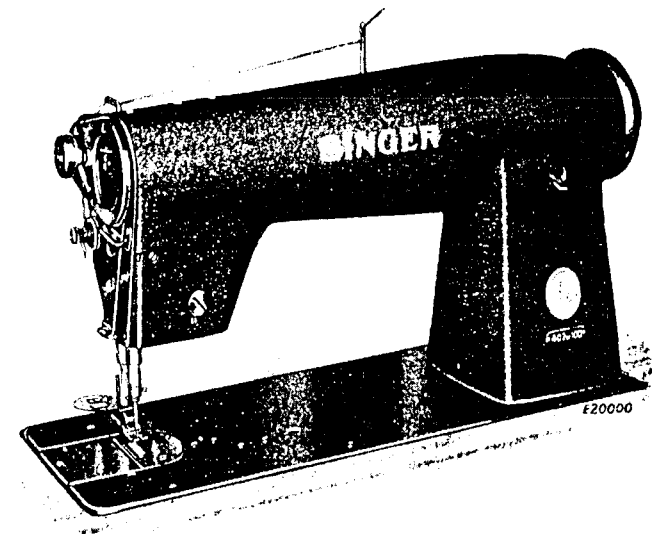
The figures in the second column refer only to the plate in which the illustration of the part is shown and are **NOT TO BE USED** in ordering.

Two or more numbers over a cut indicate that the difference between such parts is not visible in an illustration.

Parts marked with an asterisk (*) are furnished only when repairs are made at the factory.

LIST OF PARTS COMPLETE

FOR



MACHINE No. 402w100

HIGH SPEED. LONG ARM.

DOUBLE ROTARY DISC TAKE-UP.

SINGLE NEEDLE. LOCK STITCH. COMPOUND FEED.

MAXIMUM STITCH 4 TO THE INCH.

FOR STITCHING WORK SHIRTS, OVERALLS,

RAINCOATS AND CLOTHING GENERALLY.

| No. | Plate | Arm | Name |
|---------|-------|---------|--|
| *275001 | ----- | | |
| 270002 | 18562 | " | Cover Plate (back) |
| 200041X | 18562 | " " " | " Screw (2) |
| 267003 | 18562 | " " " | (side) |
| 200161H | 18562 | " " " | " Screw (2) |
| 350525X | 18562 | " | Oil Stop Screw |
| 267004 | 18562 | " " " " | Gasket |
| 204235 | 18562 | " | Position Pin (2) |
| 200004E | 18562 | " | Screw (3) |
| 202005 | 18562 | " | Washer (3) |
| *275023 | 18556 | " | Shaft |
| 275002 | 18556 | " | " 275023 with 200333C, 200362C, 270005, 270268 and 275015 |
| 270004 | 18556 | | Arm Shaft Ball Bearing (back) |

| No. | Plate | Name |
|----------|---------|--|
| 270005 | 18556 | Arm Shaft Ball Bearing (front) |
| 275003 | 18556 | " " Connection Belt (reinforced neoprene) |
| 270168 | 18556 | Arm Shaft Connection Belt Pulley and Rotary Take-up Driving Pulley with 200363AL, 350492C and three 214206 |
| 350492C | 18556 | Arm Shaft Connection Belt Pulley Position Screw |
| 200363AL | 18556 | Arm Shaft Connection Belt Pulley Set Screw |
| 214206 | 18556 | " " " " Spring Flange |
| 270189 | 18556 | Balance Wheel (aluminum alloy casting) for 5/16" round belt, (diam. of belt groove 1-13/16 in.) (rim diam. 4 in.) with 201346C and 350107C |
| 270190 | 18556 | Balance Wheel 270189 with 270004 |
| 270170 | 18556 | " " (aluminum alloy casting) for "V" belt, (outside diam. of belt groove 2.9 in.) (rim diam. 4-1/2 in.) with 350540C and 350541C |
| 270171 | 18556 | Balance Wheel 270170 with 270004 |
| Note: | Balance | Wheel 270171 is furnished with this machine unless otherwise specified on order. |
| 350107C | 18556 | Balance Wheel Position Screw |
| 350540C | 18556 | " " " Screw |
| 201346C | 18556 | " " Set Screw |
| 350541C | 18556 | " " " Screw |
| *275021 | ---- | Bed |
| 270009 | 18562 | " Slide |
| 275004 | 18563 | Face Plate |
| 350503H | 18563 | " " Screw (4) |
| 143030 | 18557 | Feed Bar |
| 270012 | 18557 | " " Center (2) |
| 200394C | 18557 | " " " Set Screw |
| 235706 | 18557 | " " Oiling Wick |
| 270138 | 18557 | " " " " Holder |
| 270139 | 18557 | " " " " " 270138 with 235706 |
| 52266 | 18557 | Feed Bar Slide Block |
| 52267 | 18557 | " " " " 52266 with 125060 |
| *125060 | 18557 | " " " " Stud |
| 275005 | 18564 | " Dog, 40 needle hole, for 275018 |
| 50117E | 18564 | " " Screw (2) |
| 275011 | 18557 | " Driving Connection |
| 275012 | 18557 | " " " 275011 with 268063 |
| 275040 | 18557 | " " " Crank with 200040E |
| 200040E | 18557 | " " " " Pinch Screw |
| 200545C | 18557 | " " " Hinge Screw |
| 201522E | 18557 | " " " " " Nut |
| 268063 | 18557 | " " " Needle Bearing |
| 268064 | 18558 | " " " Eccentric |
| 275036 | 18558 | " " " Adjusting Disc |
| 268066 | 18558 | " " " " " Spring |
| 268067 | 18558 | " " " " " " |
| | | Collar with two 200382C |
| 200382C | 18558 | Feed Driving Eccentric Adjusting Disc Spring Collar Set Screw |

| No. | Plate | Name |
|----------|-------|--|
| 350543C | 18558 | Feed Driving Eccentric Friction Adjusting Screw |
| 350101AL | 18558 | Feed Driving Eccentric Friction Adjusting Screw Set Screw |
| 275043 | 18558 | Feed Driving Flange with two each 350101AL, 350467AL and 350543C |
| 350467AL | 18558 | Feed Driving Flange Set Screw |
| 270021 | 18557 | " " " " Rock Shaft with two 200394C |
| 270022 | 18557 | " " " " " Center (2) |
| 201254C | 18557 | " " " " " Set Screw (2) |
| 270013 | 18557 | Feed Lifting Connection |
| 270014 | 18557 | " " " " 270013 with 270016 |
| 270015 | 18557 | " " " " Crank with 200040E |
| 200040E | 18557 | " " " " " Pinch Screw |
| 200545C | 18557 | " " " " Hinge Screw |
| 201522E | 18557 | " " " " " " Nut |
| 270016 | 18557 | " " " " Needle Bearing |
| 271102 | 18558 | " " " Eccentric with 200382C and 201220C |
| 201220C | 18558 | Feed Lifting Eccentric Position Screw |
| 200382C | 18558 | " " " " Set Screw |
| 270024 | 18557 | " " " Rock Shaft with 52267 |
| 270022 | 18557 | " " " " " Center (2) |
| 201254C | 18557 | " " " " " Set Screw (2) |
| 267042 | 18561 | " Regulating Crank with 200382C (2) |
| 200382C | 18561 | " " " " Set Screw |
| 275024 | 18561 | " " " Handle |
| 200363AL | 18561 | " " " " Set Screw |
| 275025 | 18561 | " " " Link |
| 200296E | 18561 | " " " " Hinge Screw (2) |
| 275026 | 18561 | " " " Shaft (lower) with 200363AL |
| 275027 | 18561 | " " " " (upper) with 200095D and 200363AL |
| 200095D | 18561 | Feed Regulating Shaft (upper) Cap Screw |
| 203244 | 18561 | " " " " Collar with two 200393C (3) |
| 200393C | 18561 | Feed Regulating Shaft Collar Set Screw |
| 267048 | 18561 | " " " " Connection |
| 200363AL | 18561 | " " " " " Set Screw |
| 275013 | 18561 | " " " " Spring |
| 200278H | 18561 | " " " " " Screw |
| 275014 | 18560 | Knee Lifter Lifting Link |
| 270285 | 18562 | " " " " " Connection |
| 200363AL | 18562 | " " " " " " Set Screw |
| 275042 | 18562 | " " " " Rod |
| 270048 | 18562 | " " " " " Connection |
| 200434C | 18562 | " " " " " " Set Screw |
| 275028 | 18562 | " " " Rock Shaft with 200363AL and 200434C |
| 275041 | 18560 | Needle Bar with 200125F, 200175D and 240039 |
| *267088 | 18560 | " " " Bushing (lower) |
| *267089 | 18560 | " " " " (upper) |
| 267090 | 18560 | " " " Connecting Link |
| 267091 | 18560 | " " " " " 267090 with two 267093 |

PARTS FOR MACHINE No. 402w100

| No. | Plate | Name |
|----------|-------|---|
| 267095 | 18560 | Needle Bar Connecting Link Guide Block |
| 200065C | 18560 | " " " " " " |
| | | Screw (2) |
| 275022 | 18560 | Needle Bar Connecting Link Hinge Stud with 222598 and 270161 |
| 222598 | 18560 | Needle Bar Connecting Link Hinge Stud Oil Packing (wick) |
| 200374C | 18556 | Needle Bar Connecting Link Hinge Stud Set Screw |
| 267093 | 18560 | Needle Bar Connecting Link Needle Bearing |
| 270267 | 18560 | " " " " Thrust Washer |
| 267102 | 18560 | " " " " Stud with 200072C and 202277 |
| 202277 | 18560 | Needle Bar Connecting Stud Oil Packing (wick) |
| 200072C | 18560 | Needle Bar Connecting Stud Pinch Screw |
| *270268 | 18556 | " " Crank with two 200374C |
| 200333C | 18556 | " " " Position Screw |
| 200362C | 18556 | " " " " Check Screw |
| 267097 | 18560 | Needle Bar Oiling Felt |
| 267098 | 18560 | " " " " Clamp Plate |
| 201334H | 18560 | " " " " " " Screw (2) |
| 267099 | 18560 | " " " Wick |
| *267100 | 18560 | " " Rock Frame |
| 267101 | 18560 | " " " " 267100 with 267088 and 267089 |
| 350522XC | 18560 | Needle Bar Rock Frame Cap Screw |
| 350523XC | 18560 | " " " " " " Adjusting Screw |
| 267104 | 18560 | Needle Bar Rock Frame Driving Arm with 200029E and 200054E |
| 200029E | 18560 | Needle Bar Rock Frame Driving Arm Pinch Screw |
| 200605E | 18560 | Needle Bar Rock Frame Driving Arm Position Screw |
| 268064 | 18556 | Needle Bar Rock Frame Driving Eccentric |
| 267105 | 18556 | " " " " " " Adjusting Disc |
| 268066 | 18556 | Needle Bar Rock Frame Driving Eccentric Adjusting Disc Spring |
| 268067 | 18556 | Needle Bar Rock Frame Driving Eccentric Adjusting Disc Spring Collar with two 200382C |
| 200382C | 18556 | Needle Bar Rock Frame Driving Eccentric Adjusting Disc Spring Collar Set Screw |
| 267106 | 18556 | Needle Bar Rock Frame Driving Eccentric Connection |
| 267107 | 18556 | Needle Bar Rock Frame Driving Eccentric Connection 267106 with 268063 and 270653 |
| 267034 | 18560 | Needle Bar Rock Frame Driving Eccentric Connection Hinge Stud |
| 270653 | 18556 | Needle Bar Rock Frame Driving Eccentric Connection Hinge Stud Needle Bearing |
| 200054E | 18560 | Needle Bar Rock Frame Driving Eccentric Connection Hinge Stud Pinch Screw |

PARTS FOR MACHINE No. 402w100

| No. | Plate | Name |
|----------|-------|---|
| 268063 | 18556 | Needle Bar Rock Frame Driving Eccentric Connection Needle Bearing |
| 350543C | 18556 | Needle Bar Rock Frame Driving Eccentric Friction Adjusting Screw |
| 350101AL | 18556 | Needle Bar Rock Frame Driving Eccentric Friction Adjusting Screw Set Screw |
| 275015 | 18556 | Needle Bar Rock Frame Driving Eccentric Thrust Collar |
| 267147 | 18556 | Needle Bar Rock Frame Driving Flange with two each 350101AL, 350467AL and 350543C |
| 350467AL | 18556 | Needle Bar Rock Frame Driving Flange Set Screw |
| 267109 | 18560 | Needle Bar Rock Frame Guide Block (2) |
| 200078H | 18560 | " " " " " " Screw (2) |
| 268071 | 18560 | Needle Bar Rock Frame Needle Bearing (back) |
| 267110 | 18560 | Needle Bar Rock Frame Needle Bearing (front) |
| 235635 | 18560 | Needle Bar Rock Frame Thrust Washer (2) |
| 240039 | 18560 | " " Thread Guide |
| 200175D | 18560 | " " " " Screw |
| 200125F | 18560 | " Set Screw |
| 267112 | 18560 | Presser Bar with 200074F |
| 270270 | 18560 | " " Bushing |
| 270282 | 18560 | " " Lifter |
| 350442C | 18560 | " " " Hinge Screw |
| 275016 | 18560 | " " Position Guide with 201215D and 350411C |
| 350411C | 18560 | Presser Bar Position Guide Pinch Screw |
| 270064 | 18562 | " " Spring |
| 350538C | 18562 | " " " Screw (pressure regulating) |
| 350521XC | 18562 | Presser Bar Spring Screw Stud |
| 202090 | 18564 | " Foot Hinge Pin |
| 203013 | 18564 | " " Plate |
| 200074F | 18560 | " " Screw |
| 215911 | 18564 | " " Shank |
| 229882 | 18564 | Presser Foot (hinged) complete, Nos. 202090, 203013 and 215911 |
| 275017 | 18563 | Rotary Take-up (large) |
| 270161 | 18560 | " " " Position Pin |
| 401D | 18563 | " " " Screw (2) |
| 270146 | 18327 | " " (small) with 270147 and 350418C |
| 270273 | 18327 | Rotary Take-up (small) Driving Shaft |
| 270032 | 18327 | " " " " " Ball Bearing (2) |
| 270069 | 18327 | Rotary Take-up (small) Driving Shaft Connection Belt |
| 270072 | 18327 | Rotary Take-up (small) Driving Shaft Pulley with two 200382C |
| 200382C | 18327 | Rotary Take-up (small) Driving Shaft Pulley Set Screw |
| 350418C | 18327 | Rotary Take-up (small) Set Screw |
| 270147 | 18327 | " " " Thread Cast-off Pin |
| 270148 | 18563 | " " " Guard |

ACCESSORIES

| No. | Plate | Name |
|--------|-------|---------------------------------------|
| 50190W | 18562 | Attachment Thumb Screw |
| 25878 | 18441 | Guide |
| 270010 | 18559 | Rotating Hook Bobbin (2) |
| 270155 | 18558 | " " Oil Reservoir Oil Gauge |
| 228476 | 18441 | Screw Driver (Bobbin Case) |
| 135X25 | ----- | Needles, six, size 16 |
| 228479 | 18333 | Drip Pan with four 3/4 in. wire nails |
| 12361 | 18441 | Machine Hinge Connection (2) |
| 41400 | 18441 | " Rest Pin (wood) |
| 228493 | ----- | Oiler 120342 filled with oil |
| 120342 | 18441 | " (copper plated) with 120343 |
| 120343 | 18441 | " Spout (3-1/2 in. long) |
| 259477 | 18441 | Screw Driver, 5 in. long |

BOBBIN WINDER

(SWINGING AUTOMATIC, RIGHT HAND)

FOR "V" BELT DRIVE

| | | |
|---------|-------|------------------------------|
| 259428 | 18312 | Brake (leather) |
| 259429 | 18312 | " Clamp |
| 200113F | 18312 | " " Screw |
| 225453 | 18312 | Frame with 202277 and 259660 |
| 225454 | 18312 | " Hinge Pin |
| 202277 | 18312 | " Oil Packing (wick) |
| 259660 | 18312 | " " Well Washer |
| 225455 | 18312 | " Spring |
| 225456 | 18312 | " " Plunger |
| 259461 | 18312 | Pulley with 200380C |
| 200380C | 18312 | " Set Screw |
| 225381 | 18312 | Spindle |
| 225444 | 18312 | Stop Latch |
| 200056E | 18312 | " " Screw |
| 225458 | 18312 | " " Thumb Lever |
| 225459 | 18312 | " " " " Hinge Stud |
| 225459 | 18312 | " " " " Joint Stud |
| 202478 | 18312 | " " Trip Lever |
| 200299H | 18312 | " " " " Hinge Screw |
| 225461 | 18312 | Tension Bracket with 201499H |
| 200082D | 18312 | " " Screw |
| 228026 | 18312 | " " " Washer |
| 2102 | 18312 | " Disc |
| 13710 | 18312 | " Spring |
| 201499H | 18312 | " Stud |
| 201572H | 18312 | " " Thumb Nut |

ACCESSORIES

| No. | Plate | Name |
|--------|-------|--|
| 225462 | 18312 | Bobbin Winder Tension Bracket complete, Nos. 13710, 201572H, 225461 and two 2102 |
| 259662 | 18312 | Bobbin Winder and Tension Bracket Base |
| 259462 | 18312 | Universal Bobbin Winder complete, Nos. 200056E, 200082D, 200113F, 200299H, 202478, 225381, 225444, 225453 to 225456, 225458, 225462, 228026, 259428, 259429, 259461, 259662, two each 225459 and wood screws 3/4 in., No. 12, R. H. B. |

KNEE LIFTER

| | | |
|---------|-------|---|
| 228359 | 18333 | Rock Lever with two 350231C |
| 228486 | 18333 | " " Bracket with 200347C and three wood screws 7/8 in., No. 12 |
| 228361 | 18333 | Rock Lever Bracket 228486 with 228359, 228363, 228367, 228386 and 228455 |
| 228370 | 18333 | Rock Lever Extension with 200529C |
| 350231C | 18333 | " " " " Set Screw |
| 228363 | 18333 | " " Hinge Pin |
| 228364 | 18333 | " " Knee Plate with 350231C |
| 228388 | 18333 | " " " " Arm |
| 350231C | 18333 | " " " " Set Screw |
| 350231C | 18333 | " " " " Set Screw |
| 228455 | 18333 | " " Position Spring |
| 228365 | 18333 | " " Rod |
| 200529C | 18333 | " " " Set Screw |
| 228386 | 18333 | " " Spring |
| 228367 | 18333 | " " Stop Stud |
| 200347C | 18333 | " " " " Set Screw |
| 228371 | 18333 | Knee Lifter Rock Lever complete, Nos. 228361, 228364, 228365, 228370 and 228388 |

(Other Knee Lifter parts are listed with parts of machine head)

BELT GUARD

| | | |
|---------|-------|--|
| 270197 | 18442 | Belt Guard with two 200362C |
| 270198 | 18442 | " " Bracket |
| 350328H | 18442 | " " " Screw |
| 200362C | 18442 | " " Set Screw |
| 270199 | 18442 | Belt Guard complete, Nos. 270197, 270198 and two 350328H |

BOBBIN HOLDER

| No. | Plate | Name |
|--------|-------|---------------|
| 225434 | 18441 | Bobbin Holder |

BOBBIN WINDER

(SWINGING AUTOMATIC, RIGHT HAND)

FOR 5/16 INCH ROUND BELT DRIVE

Note: Same as 259462 "V" belt Bobbin Winder with the following exceptions.

| | | |
|--------|-------|--|
| 225368 | 18312 | Pulley with 200380C |
| 259430 | 18312 | Bobbin Winder and Tension Bracket Base |
| 259431 | 18312 | Universal Bobbin Winder complete, Nos. 200056E, 200082D, 200113F, 200299H, 202478, 225368, 225381, 225444, 225453 to 225456, 225458, 225462, 228026, 259428 to 259430, two each 225459 and wood screws 3/4 in., No. 12, R. H. B. |

FINGER GUARD

| | | |
|--------|-------|--------------|
| 259502 | 18441 | Finger Guard |
|--------|-------|--------------|

SPOOL PIN

| | | |
|--------|-------|-----------|
| 228394 | 18441 | Spool Pin |
|--------|-------|-----------|

THREAD UNWINDER

| No. | Plate | Name |
|---------|-------|--|
| 228692 | 18362 | Spool Pin |
| 201528H | 18362 | " " Nut |
| 228693 | 18362 | " " Washer |
| 225257 | 18362 | " Rest (for two spools) (flat) with 201018C, two each 201528H, 228692 and 228693 |
| 150203 | 18362 | Spool Rest Cushion (felt) |
| 225388 | 18362 | " " Rod |
| 200383C | 18362 | " " " Set Screw |
| 201018C | 18362 | " " " Set Screw |
| 259658 | 18362 | " Stand with 200383C |
| 225391 | 18362 | Thread Guide |
| 201696H | 18362 | " " Lock Nut |
| 225326 | 18362 | " " Position Cup |
| 225324 | 18362 | " " Rod with 208AL and 225322 |
| 208AL | 18362 | " " " Screw |
| 225322 | 18362 | " " " Washer |
| 225258 | 18362 | Thread Unwinder (for two spools) complete, Nos. 201696H, 225257, 225324, 225326, 225388, 259658, two each 150203, 225391 and three wood screws 7/8 in., No. 12 |

MISCELLANEOUS PARTS

USED IN CONJUNCTION WITH THREAD UNWINDER

| | | |
|--------|-------|---|
| 259370 | 18362 | Spool Pin |
| 259378 | 18362 | " " Arm with 217E and 259379 |
| 232896 | 18362 | " " " Bracket with two 448AL |
| 448AL | 18362 | " " " " Set Screw |
| 448AL | 18362 | " " " " Set Screw |
| 259371 | 18362 | " " Cap (bakelite) |
| 1010F | 18362 | " " " Hinge Screw |
| 259379 | 18362 | " " Retaining Spring |
| 217E | 18362 | " " " " Screw |
| 259372 | 18362 | " " Washer |
| 259373 | 18362 | Spool Pin complete, Nos. 1010F and 259370 to 259372 |
| 60913 | 18362 | Spool Weight with 60914 |
| 60914 | 18362 | " " Center Pin |
| 225377 | 18362 | " Wire, for small spools |
| 27739 | 18362 | Thread Cone (wood) |
| 225390 | 18362 | " " Holder |

NUMERICAL LIST OF PARTS

SINGER Needles should be used
in SINGER Machines.
These Needles and their Containers
are marked with the
Company's Trade Mark "SIMANCO. **" 1

Needles in Containers marked
"FOR SINGER MACHINES"
are NOT **SINGER** made needles. 2

| No. | Plate | Name |
|--------|-------|--|
| 208AL | 18362 | Thread Unwinder Thread Guide Rod Screw, for 225324 |
| 217E | 18362 | Thread Unwinder Spool Pin Retaining Spring Screw, for 259378 |
| 401D | 18563 | Rotary Take-up (large) Screw |
| 446C | 18563 | Thread Take-up Spring Regulator Set Screw |
| 448AL | 18362 | " Unwinder Spool Pin Arm Bracket Set Screw, for 232896 |
| 448AL | 18362 | Thread Unwinder Spool Pin Arm Set Screw, for 232896 |
| 591F | 18559 | Rotating Hook Bobbin Case Tension Spring Regulating Screw, for 275032 |
| 592E | 18559 | Rotating Hook Bobbin Case Latch Stop Screw, for 275034 |
| 691F | 18564 | Throat Plate Screw |
| 1010F | 18362 | Thread Unwinder Spool Pin Cap Hinge Screw, for 259373 |
| 1053E | 18559 | Rotating Hook Thread Guard Screw, for 270869 |
| 1253AL | 18559 | Rotating Hook Set Screw, for 270868 |
| 1367E | 18559 | " " Section Screw, for 275029 |
| 1380E | 18559 | " " Bobbin Case Tension Spring Screw, for 275032 |
| 1560C | 18563 | Tension Thumb Nut, for 270279 |
| 2102 | 18312 | Bobbin Winder Tension Disc, for 225462 |
| 2102 | 18563 | Tension Disc, for 270279 |
| 2974 | 18559 | Rotating Hook Bobbin Case Latch Lever Fulcrum Pin, for 40393 |
| 2975 | 18559 | Rotating Hook Bobbin Case Latch Spring, for 275034 |
| 12361 | 18441 | Machine Hinge Connection |
| 13710 | 18312 | Bobbin Winder Tension Spring, for 225462 |
| 13710 | 18563 | Tension Spring, for 270279 |
| 25878 | 18441 | Guide |
| 27739 | 18362 | Thread Unwinder Thread Cone (wood) |
| 32572 | 18563 | Tension Releasing Disc, for 270279 |
| 40392 | 18559 | Rotating Hook Bobbin Case Latch, for 40393 |
| 40393 | 18559 | " " " " Hinge Nos. 2974, 40392 and 125320, for 275034 |
| 40394 | 18559 | Rotating Hook Bobbin Case Tension Spring, for 275032 |
| 41400 | 18441 | Machine Rest Pin (wood) |
| 50117E | 18564 | Feed Dog Screw |
| 50190W | 18562 | Attachment Thumb Screw |
| 52018 | 18559 | Rotating Hook Bobbin Case Holder Position Bracket |
| 52082 | 18563 | Thread Take-up Spring, for 270279 |
| 52266 | 18557 | Feed Bar Slide Block, for 52267 |

| No. | Plate | Name |
|---------|-------|---|
| 52267 | 18557 | Feed Bar Slide Block 52266 with 125060, for 270024 |
| 60913 | 18362 | Thread Unwinder Spool Weight with 60914 |
| 60914 | 18362 | " " " " Center Pin, for 60913 |
| 120342 | 18441 | Oiler (copper plated) with 120343, for 228493 |
| 120343 | 18441 | " Spout (3-1/2 in. long), for 120342 |
| *125060 | 18557 | Feed Bar Slide Block Stud, for 52267 |
| 125320 | 18559 | Rotating Hook Bobbin Case Latch Lever, for 40393 |
| 143030 | 18557 | Feed Bar |
| 143301 | 18559 | Rotating Hook Oil Wick (felt), for 270868 |
| 143349 | 18558 | " " Shaft Oil Filter Wick Holder, for 270176 |
| 150203 | 18362 | Thread Unwinder Spool Rest Cushion (felt), for 225258 |
| 200004E | 18562 | Arm Screw |
| 200029E | 18560 | Needle Bar Rock Frame Driving Arm Pinch Screw, for 267104 |
| 200040E | 18557 | Feed Driving Connection Crank Pinch Screw, for 275040 |
| 200040E | 18557 | Feed Lifting Connection Crank Pinch Screw, for 270015 |
| 200041X | 18562 | Arm Cover Plate (back) Screw |
| 200041X | 18562 | Rotating Hook Oil Reservoir Cover Screw |
| 200054E | 18560 | Needle Bar Rock Frame Driving Eccentric Connection Hinge Stud Pinch Screw, for 267104 |
| 200056E | 18312 | Bobbin Winder Stop Latch Screw, for 259431 and 259462 |
| 200065C | 18560 | Needle Bar Connecting Link Guide Block Screw |
| 200070C | 18558 | Rotating Hook Driving Shaft Connection Belt Pulley Set Screw, for 270169 |
| 200072C | 18560 | Needle Bar Connecting Stud Pinch Screw, for 267102 |
| 200074F | 18560 | Presser Foot Screw, for 267112 |
| 200077D | 18559 | Rotating Hook Bobbin Case Holder Position Bracket Screw |
| 200078H | 18560 | Needle Bar Rock Frame Guide Block Screw |
| 200082D | 18312 | Bobbin Winder Tension Bracket Screw, for 259431 and 259462 |
| 200095D | 18561 | Feed Regulating Shaft (upper) Cap Screw, for 275027 |
| 200113F | 18312 | Bobbin Winder Brake Clamp Screw, for 259431 and 259462 |
| 200125F | 18560 | Needle Set Screw, for 275041 |
| 200161H | 18562 | Arm Cover Plate (side) Screw |
| 200175D | 18560 | Needle Bar Thread Guide Screw, for 275041 |
| 200278H | 18561 | Feed Regulating Shaft Spring Screw |
| 200296E | 18561 | " " Link Hinge Screw |
| 200299H | 18312 | Bobbin Winder Stop Latch Trip Lever Hinge Screw, for 259431 and 259462 |
| 200333C | 18556 | Needle Bar Crank Position Screw, for 275002 |
| 200346C | 18558 | Rotating Hook Driving Shaft Bushing Set Screw |
| 200346C | 18558 | Rotating Hook Shaft Bushing Set Screw |

| No. | Plate | Name |
|----------|-------|--|
| 200347C | 18333 | Knee Lifter Rock Lever Stop Stud Set Screw, for 228486 |
| 200351H | 18563 | Thread Retainer Set Screw |
| 200362C | 18442 | Belt Guard Set Screw, for 270197 |
| 200362C | 18556 | Needle Bar Crank Position Screw Check Screw, for 275002 |
| 200363AL | 18556 | Arm Shaft Connection Belt Pulley Set Screw, for 270168 |
| 200363AI | 18561 | Feed Regulating Handle Set Screw, for 275027 |
| 200363AL | 18561 | " " Shaft Connection Set Screw, for 275026 |
| 200363AL | 18562 | Knee Lifter Lifting Link Connection Set Screw, for 275028 |
| 200374C | 18556 | Needle Bar Connecting Link Hinge Stud Set Screw, for 270268 |
| 200377C | 18563 | Tension Stud Set Screw, for 270281 |
| 200380C | 18312 | Bobbin Winder Pulley Set Screw, for 225368 and 259461 |
| 200382C | 18558 | Feed Driving Eccentric Adjusting Disc Spring Collar Set Screw, for 268067 |
| 200382C | 18558 | Feed Lifting Eccentric Set Screw, for 271102 |
| 200382C | 18561 | " Regulating Crank Set Screw, for 267042 |
| 200382C | 18556 | Needle Bar Rock Frame Driving Eccentric Adjusting Disc Spring Collar Set Screw, for 268067 |
| 200382C | 18327 | Rotary Take-up (small) Driving Shaft Pulley Set Screw, for 270072 |
| 200382C | 18558 | Rotating Hook Driving Shaft Gear Set Screw, for 270035 |
| 200383C | 18362 | Thread Unwinder Spool Rest Rod Set Screw, for 259658 |
| 200393C | 18561 | Feed Regulating Shaft Collar Set Screw, for 203244 |
| 200394C | 18557 | Feed Bar Center Set Screw, for 270021 |
| 200434C | 18562 | Knee Lifter Lifting Rod Connection Set Screw, for 275028 |
| 200529C | 18333 | Knee Lifter Rock Lever Rod Set Screw, for 228370 |
| 200545C | 18557 | Feed Driving Connection Hinge Screw |
| 200545C | 18557 | " Lifting Connection Hinge Screw |
| 200567H | 18563 | Thread Severing Finger Screw |
| 200605E | 18560 | Needle Bar Rock Frame Driving Arm Position Screw |
| 201018C | 18362 | Thread Unwinder Spool Rest Set Screw, for 225257 |
| 201215D | 18558 | Rotating Hook Shaft End Bearing Screw, for 270166 |
| 201215D | 18560 | Thread Pull-off Clamping Screw, for 275016 |
| 201220C | 18558 | Feed Lifting Eccentric Position Screw, for 271102 |
| 201220C | 18558 | Rotating Hook Driving Shaft Gear Position Screw, for 270035 |
| 201254C | 18557 | Feed Driving Rock Shaft Center Set Screw |
| 201254C | 18557 | " Lifting Rock Shaft Center Set Screw |
| 201334H | 18560 | Needle Bar Oiling Felt Clamp Plate Screw |
| 201346C | 18556 | Balance Wheel Set Screw, for 270189 |

NUMERICAL LIST OF PARTS

| No. | Plate | Name |
|---------|-------|--|
| 201499H | 18312 | Bobbin Winder Tension Stud, for 225461 |
| 201522E | 18557 | Feed Driving Connection Hinge Screw Nut |
| 201522E | 18557 | " Lifting Connection Hinge Screw Nut |
| 201528H | 18362 | Thread Unwinder Spool Pin Nut, for 225257 |
| 201572H | 18312 | Bobbin Winder Tension Stud Thumb Nut, for 225462 |
| 201696H | 18362 | Thread Unwinder Thread Guide Lock Nut, for 225258 |
| 202005 | 18562 | Arm Screw Washer |
| 202090 | 18564 | Presser Foot Hinge Pin, for 229882 |
| 202277 | 18312 | Bobbin Winder Frame Oil Packing (wick), for 225453 |
| 202277 | 18560 | Needle Bar Connecting Stud Oil Packing (wick), for 267102 |
| 202423 | 18558 | Rotating Hook Shaft Oil Filter Wick, for 270176 |
| 202478 | 18312 | Bobbin Winder Stop Latch Trip Lever, for 259431 and 259462 |
| 203013 | 18564 | Presser Foot Plate, for 229882 |
| 203244 | 18561 | Feed Regulating Shaft Collar with two 200393C |
| 204235 | 18562 | Arm Position Pin |
| 214206 | 18556 | " Shaft Connection Belt Pulley Spring Flange, for 270168 |
| 214206 | 18558 | Rotating Hook Driving Shaft Connection Belt Pulley Spring Flange, for 270169 |
| 215911 | 18564 | Presser Foot Shank, for 229882 |
| 222598 | 18560 | Needle Bar Connecting Link Hinge Stud Oil Packing (wick), for 275022 |
| 225257 | 18362 | Thread Unwinder Spool Rest (for two spools) (flat) with 201018C, two each 201528H, 228692 and 228693, for 225258 |
| 225258 | 18362 | Thread Unwinder (for two spools) complete, Nos. 201696H, 225257, 225324, 225326, 225388, 259658, two each 150203, 225391 and three wood screws 7/8 in., No. 12 |
| 225322 | 18362 | Thread Unwinder Thread Guide Rod Washer, for 225324 |
| 225324 | 18362 | Thread Unwinder Thread Guide Rod with 208AL and 225322, for 225258 |
| 225326 | 18362 | Thread Unwinder Thread Guide Position Cup, for 225258 |
| 225368 | 18312 | Bobbin Winder Pulley with 200380C, for 259431, used in place of 259461 |
| 225377 | 18362 | Thread Unwinder Spool Wire, for small spools |
| 225381 | 18312 | Bobbin Winder Spindle, for 259431 and 259462 |
| 225388 | 18362 | Thread Unwinder Spool Rest Rod, for 225258 |
| 225390 | 18362 | " " Thread Cone Holder |
| 225391 | 18362 | " " Guide, for 225258 |
| 225434 | 18441 | Bobbin Holder |
| 225444 | 18312 | " Winder Stop Latch, for 259431 and 259462 |
| | | Nos. 225453 to 259456, for 259431 and 259462 |
| 225453 | 18312 | Bobbin Winder Frame with 202277 and 259660 |
| 225454 | 18312 | " " Hinge Pin |
| 225455 | 18312 | " " Spring |
| 225456 | 18312 | " " Plunger |
| 225458 | 18312 | " " Stop Latch Thumb Lever, for 259431 and 259462 |

NUMERICAL LIST OF PARTS

| No. | Plate | Name |
|--------|-------|---|
| 225459 | 18312 | Bobbin Winder Stop Latch Thumb Lever Hinge Stud, for 259431 and 259462 |
| 225459 | 18312 | Bobbin Winder Stop Latch Thumb Lever Joint Stud, for 259431 and 259462 |
| 225461 | 18312 | Bobbin Winder Tension Bracket with 201499H, for 225462 |
| 225462 | 18312 | Bobbin Winder Tension Bracket complete, Nos. 13710, 201572H, 225461 and two 2102, for 259431 and 259462 |
| 228026 | 18312 | Bobbin Winder Tension Bracket Screw Washer, for 259431 and 259462 |
| 228359 | 18333 | Knee Lifter Rock Lever with two 350231C, for 228361 |
| 228361 | 18333 | Knee Lifter Rock Lever Bracket 228486 with 228359, 228363, 228367, 228386 and 228455, for 228371 |
| 228363 | 18333 | Knee Lifter Rock Lever Hinge Pin, for 228361 |
| 228364 | 18333 | " " " " Knee Plate with 350231C, for 228371 |
| 228365 | 18333 | Knee Lifter Rock Lever Rod, for 228371 |
| 228367 | 18333 | " " " " Stop Stud, for 228361 |
| 228370 | 18333 | " " " " Extension with 200529C, for 228371 |
| 228371 | 18333 | Knee Lifter Rock Lever complete, Nos. 228361, 228364, 228365, 228370 and 228388 |
| 228386 | 18333 | Knee Lifter Rock Lever Spring, for 228361 |
| 228388 | 18333 | " " " " Knee Plate Arm, for 228371 |
| 228394 | 18441 | Spool Pin |
| 228455 | 18333 | Knee Lifter Rock Lever Position Spring, for 228361 |
| 228476 | 18441 | Screw Driver (Bobbin Case) |
| 228479 | 18333 | Drip Pan with four 3/4 in. wire nails |
| 228486 | 18333 | Knee Lifter Rock Lever Bracket with 200347C and three wood screws 7/8 in., No. 12, for 228361 |
| 228493 | ----- | Oiler 120342 filled with oil |
| 228692 | 18362 | Thread Unwinder Spool Pin, for 225257 |
| 228693 | 18362 | " " " " Washer, for 225257 |
| 229882 | 18564 | Presser Foot (hinged) complete, Nos. 202090, 203013 and 215911 |
| 232896 | 18362 | Thread Unwinder Spool Pin Arm Bracket with two 448AL |
| 235635 | 18560 | Needle Bar Rock Frame Thrust Washer |
| 235706 | 18557 | Feed Bar Oiling Wick, for 270139 |
| 236245 | 18563 | Thread Guide (lower) |
| 240039 | 18560 | Needle Bar Thread Guide, for 275041 |
| | | Nos. 259370 to 259372, for 259373 |
| 259370 | 18362 | Thread Unwinder Spool Pin |
| 259371 | 18362 | " " " " Cap (bakelite) |
| 259372 | 18362 | " " " " Washer |
| 259373 | 18362 | Thread Unwinder Spool Pin complete, Nos. 1010F and 259370 to 259372 |
| 259378 | 18362 | Thread Unwinder Spool Pin Arm with 217E and 259379 |

NUMERICAL LIST OF PARTS

| No. | Plate | Name |
|---------|-------|---|
| 259379 | 18362 | Thread Unwinder Spool Pin Retaining Spring, for 259378 |
| | | Nos. 259428 to 259430, for 259431 |
| 259428 | 18312 | Bobbin Winder Brake (leather), also for 259462 |
| 259429 | 18312 | Bobbin Winder Brake Clamp, also for 259462 |
| 259430 | 18312 | " " and Tension Bracket Base, used in place of 259662 |
| 259431 | 18312 | Universal Bobbin Winder complete, Nos. 200056E, 200082D, 200113F, 200299H, 202478, 225368, 225381, 225444, 225453 to 225456, 225458, 225462, 228026, 259428 to 259430, two each 225459 and wood screws 3/4 in., No. 12, R. H. B., used in place of 259462 |
| 259461 | 18312 | Bobbin Winder Pulley with 200380C, for 259462 |
| 259462 | 18312 | Universal Bobbin Winder complete, (for "V" belt drives), Nos. 200056E, 200082D, 200113F, 200299H, 202478, 225381, 225444, 225453 to 225456, 225458, 225462, 228026, 259428, 259429, 259461, 259662, two each 225459 and wood screws 3/4 in., No. 12, R. H. B. |
| 259477 | 18441 | Screw Driver, 5 in. long |
| 259502 | 18441 | Finger Guard |
| 259658 | 18362 | Thread Unwinder Spool Stand with 200383C, for 225258 |
| 259660 | 18312 | Bobbin Winder Frame Oil Well Washer, for 225453 |
| 259662 | 18312 | Bobbin Winder and Tension Bracket Base, for 259462 |
| 267003 | 18562 | Arm Cover Plate (side) |
| 267004 | 18562 | " Oil Stop Screw Gasket |
| 267034 | 18560 | Needle Bar Rock Frame Driving Eccentric Connection Hinge Stud |
| 267042 | 18561 | Feed Regulating Crank with 200382C |
| 267048 | 18561 | " " Shaft Connection |
| *267088 | 18560 | Needle Bar Bushing (lower), for 267101 |
| *267089 | 18560 | " " " (upper), for 267101 |
| 267090 | 18560 | " " Connecting Link, for 267091 |
| 267091 | 18560 | " " " " 267090 with two 267093 |
| 267093 | 18560 | Needle Bar Connecting Link Needle Bearing, for 267091 |
| 267095 | 18560 | Needle Bar Connecting Link Guide Block |
| 267097 | 18560 | " " Oiling Felt |
| 267098 | 18560 | " " " " Clamp Plate |
| 267099 | 18560 | " " " " Wick |
| *267100 | 18560 | " " Rock Frame, for 267101 |
| 267101 | 18560 | " " " " 267100 with 267088 and 267089 |
| 267102 | 18560 | Needle Bar Connecting Stud with 200072C and 202277 |

NUMERICAL LIST OF PARTS

| No. | Plate | Name |
|--------|-------|---|
| 267104 | 18560 | Needle Bar Rock Frame Driving Arm with 200029E and 200054E |
| 267105 | 18556 | Needle Bar Rock Frame Driving Eccentric Adjusting Disc |
| 267106 | 18556 | Needle Bar Rock Frame Driving Eccentric Connection, for 267107 |
| 267107 | 18556 | Needle Bar Rock Frame Driving Eccentric Connection 267106 with 268063 and 270653 |
| 267109 | 18560 | Needle Bar Rock Frame Guide Block |
| 267110 | 18560 | " " " " Needle Bearing (front) |
| 267112 | 18560 | Presser Bar with 200074F |
| 267147 | 18556 | Needle Bar Rock Frame Driving Flange with two each 350101AL, 350467AL and 350543C |
| 268063 | 18557 | Feed Driving Connection Needle Bearing, for 275012 |
| 268063 | 18556 | Needle Bar Rock Frame Driving Eccentric Connection Needle Bearing, for 267107 |
| 268064 | 18558 | Feed Driving Eccentric |
| 268064 | 18556 | Needle Bar Rock Frame Driving Eccentric |
| 268066 | 18558 | Feed Driving Eccentric Adjusting Disc Spring |
| 268066 | 18556 | Needle Bar Rock Frame Driving Eccentric Adjusting Disc Spring |
| 268067 | 18558 | Feed Driving Eccentric Adjusting Disc Spring Collar with two 200382C |
| 268067 | 18556 | Needle Bar Rock Frame Driving Eccentric Adjusting Disc Spring Collar with two 200382C |
| 268071 | 18560 | Needle Bar Rock Frame Needle Bearing (back) |
| 268258 | 18558 | Rotating Hook Shaft Bushing Oil Packing (wick), for 270166 |
| 270002 | 18562 | Arm Cover Plate (back) |
| 270004 | 18556 | " Shaft Ball Bearing (back), for 270171 and 270190 |
| 270005 | 18556 | Arm Shaft Ball Bearing (front), for 275002 |
| 270009 | 18562 | Bed Slide |
| 270010 | 18559 | Rotating Hook Bobbin |
| 270012 | 18557 | Feed Bar Center |
| 270013 | 18557 | " Lifting Connection, for 270014 |
| 270014 | 18557 | " " " 270013 with 270016 |
| 270015 | 18557 | " " " Crank with 200040E |
| 270016 | 18557 | " " " Needle Bearing, for 270014 |
| 270021 | 18557 | Feed Driving Rock Shaft with two 200394C |
| 270022 | 18557 | " " " " Center |
| 270022 | 18557 | " Lifting Rock Shaft Center |
| 270024 | 18557 | " " " " with 52267 |
| 270032 | 18327 | Rotary Take-up (small) Driving Shaft Ball Bearing |
| 270032 | 18558 | Rotating Hook Driving Shaft Ball Bearing |
| 270035 | 18558 | " " " " Gear (internal teeth) with 200382C and 201220C |

| No. | Plate | Name |
|--------|-------|--|
| 270036 | 18558 | Rotating Hook Driving Shaft Oil Lead Wire |
| 270038 | 18562 | " " Oil Reservoir Cover |
| 270039 | 18562 | " " " " Gasket |
| 270044 | 18558 | " " Shaft Thrust Washer, for 270166 |
| 270048 | 18562 | Knee Lifter Lifting Rod Connection |
| 270064 | 18562 | Presser Bar Spring |
| 270069 | 18327 | Rotary Take-up (small) Driving Shaft Connection Belt |
| 270072 | 18327 | Rotary Take-up (small) Driving Shaft Pulley with two 200382C |
| 270079 | 18560 | Thread Pull-off |
| 270080 | 18563 | " Retainer |
| 270096 | 18563 | " Guide |
| 270138 | 18557 | Feed Bar Oiling Wick Holder, for 270139 |
| 270139 | 18557 | " " " " 270138 with 235706 |
| 270146 | 18327 | Rotary Take-up (small) with 270147 and 350418C |
| 270147 | 18327 | Rotary Take-up (small) Thread Cast-off Pin, for 270146 |
| 270148 | 18563 | Rotary Take-up Guard |
| 270150 | 18563 | Thread Severing Finger |
| 270151 | 18563 | " " " Guard |
| 270155 | 18558 | Rotating Hook Oil Reservoir Oil Gauge |
| 270156 | 18563 | Thread Severing Finger Guard Hinge Screw Spring Washer |
| 270161 | 18560 | Rotary Take-up (large) Position Pin, for 275022 |
| | | Nos. 270162 to 270164, for 270166 |
| 270162 | 18558 | Rotating Hook Shaft |
| 270163 | 18558 | " " " Bushing |
| 270164 | 18558 | " " " End Bearing |
| 270166 | 18558 | Rotating Hook Shaft Bushing complete, Nos. 268258, 270044, 270162 to 270164, 270176, 350498E and two 201215D |
| 270168 | 18556 | Arm Shaft Connection Belt Pulley and Rotary Take-up Driving Pulley with 200363AL, 350492C and three 214206 |
| 270169 | 18558 | Rotating Hook Driving Shaft Connection Belt Pulley with 214206 and two 200070C |
| 270170 | 18556 | Balance Wheel (aluminum alloy casting) for "V" belt, (outside diam. of belt groove 2.9 in.) (rim diam. 4-1/2 in.) with 350540C and 350541C, for 270171 |
| 270171 | 18556 | Balance Wheel 270170 with 270004 |
| 270176 | 18558 | Rotating Hook Shaft Oil Filter complete, Nos. 143349 and 202423, for 270166 |
| 270189 | 18556 | Balance Wheel (aluminum alloy casting) for 5/16" round belt, (diam. of belt groove 1-13/16 in.) (rim diam. 4 in.) with 201346C and 350107C, for 270190 |
| 270190 | 18556 | Balance Wheel 270189 with 270004 |
| 270197 | 18442 | Belt Guard with two 200362C, for 270199 |
| 270198 | 18442 | " " Bracket, for 270199 |
| 270199 | 18442 | Belt Guard complete, Nos. 270197, 270198 and two 350328H |

| No. | Plate | Name |
|----------|-------|--|
| 270200 | 18558 | Rotating Hook Driving Shaft Bushing Oil Packing (wick), for 271062 |
| 270267 | 18560 | Needle Bar Connecting Link Thrust Washer |
| *270268 | 18556 | " " Crank with two 200374C, for 275002 |
| 270270 | 18560 | Presser Bar Bushing |
| 270273 | 18327 | Rotary Take-up (small) Driving Shaft |
| 270278 | 18563 | Tension Releasing Pin, for 270279 |
| 270279 | 18563 | Tension complete, Nos. 1560C, 13710, 32572, 52082, 270278, 270281, 350457C and two 2102 |
| 270281 | 18563 | Thread Take-up Spring Regulator with 200377C, for 270279 |
| 270282 | 18560 | Presser Bar Lifter |
| 270285 | 18562 | Knee Lifter Lifting Link Connection |
| 270653 | 18556 | Needle Bar Rock Frame Driving Eccentric Connection Hinge Stud Needle Bearing, for 267107 |
| 270868 | 18559 | Rotating Hook with 143301 and two 1253AL, for 270869 |
| 270869 | 18559 | Rotating Hook 270868 with 270874XC and four 1053E, for 275029 |
| 270874XC | 18559 | Rotating Hook Thread Guard, for 270869 |
| 270876 | 18559 | " " Section, for 275029 |
| 271032 | 18563 | Thread Guide (upper) |
| 271062 | 18558 | Rotating Hook Driving Shaft Bushing with 270200 |
| 271102 | 18558 | Feed Lifting Eccentric with 200382C and 201220C |
| *275001 | ----- | Arm |
| 275002 | 18556 | " Shaft 275023 with 200333C, 200362C, 270005, 270268 and 275015 |
| 275003 | 18556 | Arm Shaft Connection Belt (reinforced neoprene) |
| 275004 | 18563 | Face Plate |
| 275005 | 18564 | Feed Dog, 40 needle hole, for 275018 |
| 275011 | 18557 | " Driving Connection, for 275012 |
| 275012 | 18557 | " " " 275011 with 268063 |
| 275013 | 18561 | " Regulating Shaft Spring |
| 275014 | 18560 | Knee Lifter Lifting Link |
| 275015 | 18556 | Needle Bar Rock Frame Driving Eccentric Thrust Collar, for 275002 |
| 275016 | 18560 | Presser Bar Position Guide with 201215D and 350411C |
| 275017 | 18563 | Rotary Take-up (large) |
| 275018 | 18564 | Throat Plate, for 275005 |
| *275021 | ----- | Bed |
| 275022 | 18560 | Needle Bar Connecting Link Hinge Stud with 222598 and 270161 |
| *275023 | 18556 | Arm Shaft, for 275002 |
| 275024 | 18561 | Feed Regulating Handle |
| 275025 | 18561 | " " Link |
| 275026 | 18561 | " " Shaft (lower) with 200363AL |
| 275027 | 18561 | " " " (upper) with 200095D and 200363AL |
| 275028 | 18562 | Knee Lifter Rock Shaft with 200363AL and 200434C |

NUMERICAL LIST OF PARTS

| No. | Plate | Name |
|----------|-------|--|
| 275029 | 18559 | Rotating Hook 270869 with 270876, 275033 and three 1367E, for 275030 |
| 275030 | 18559 | Rotating Hook 275029 with 275034 |
| 275031 | 18559 | " " Bobbin Case, for 275032 |
| 275032 | 18559 | " " " " 275031 with 591F, 1380E and 40394, for 275034 |
| 275033 | 18559 | Rotating Hook Bobbin Case Holder (chromium plated), for 275029 and 275035 |
| 275034 | 18559 | Rotating Hook Bobbin Case complete, Nos. 592E, 2975, 40393 and 275032, for 275030 and 275035 |
| 275035 | 18559 | Rotating Hook Bobbin Case 275034 with 275033 |
| 275036 | 18558 | Feed Driving Eccentric Adjusting Disc |
| 275037 | 18558 | Rotating Hook Driving Shaft |
| 275040 | 18557 | Feed Driving Connection Crank with 200040E |
| 275041 | 18560 | Needle Bar with 200125F, 200175D and 240039 |
| 275042 | 18562 | Knee Lifter Lifting Rod |
| 275043 | 18558 | Feed Driving Flange with two each 350101AL, 350467AL and 350543C |
| 350101AL | 18558 | Feed Driving Eccentric Friction Adjusting Screw Set Screw, for 275043 |
| 350101AL | 18556 | Needle Bar Rock Frame Driving Eccentric Friction Adjusting Screw Set Screw, for 267147 |
| 350107C | 18556 | Balance Wheel Position Screw, for 270189 |
| 350231C | 18333 | Knee Lifter Rock Lever Extension Set Screw, for 228359 |
| 350231C | 18333 | Knee Lifter Rock Lever Knee Plate Arm Set Screw, for 228359 |
| 350231C | 18333 | Knee Lifter Rock Lever Knee Plate Set Screw, for 228364 |
| 350328H | 18442 | Belt Guard Bracket Screw, for 270199 |
| 350411C | 18560 | Presser Bar Position Guide Pinch Screw, for 275016 |
| 350418C | 18327 | Rotary Take-up (small) Set Screw, for 270146 |
| 350442C | 18560 | Presser Bar Lifter Hinge Screw |
| 350457C | 18563 | Tension Stud, for 270279 |
| 350467AL | 18558 | Feed Driving Flange Set Screw, for 275043 |
| 350467AL | 18556 | Needle Bar Rock Frame Driving Flange Set Screw, for 267147 |
| 350486XC | 18563 | Thread Severing Finger Guard Hinge Screw |
| 350492C | 18556 | Arm Shaft Connection Belt Pulley Position Screw, for 270168 |
| 350498E | 18558 | Rotating Hook Shaft Oil Regulating Screw, for 270166 |
| 350503H | 18563 | Face Plate Screw |
| 350503H | 18563 | Rotary Take-up Guard Screw |
| 350503H | 18563 | Thread Guide Screw |
| 350521XC | 18562 | Presser Bar Spring Screw Stud |
| 350522XC | 18560 | Needle Bar Rock Frame Cap Screw |
| 350523XC | 18560 | " " " " " " Adjusting Screw |
| 350525X | 18562 | Arm Oil Stop Screw |
| 350538C | 18562 | Presser Bar Spring Screw (pressure regulating) |

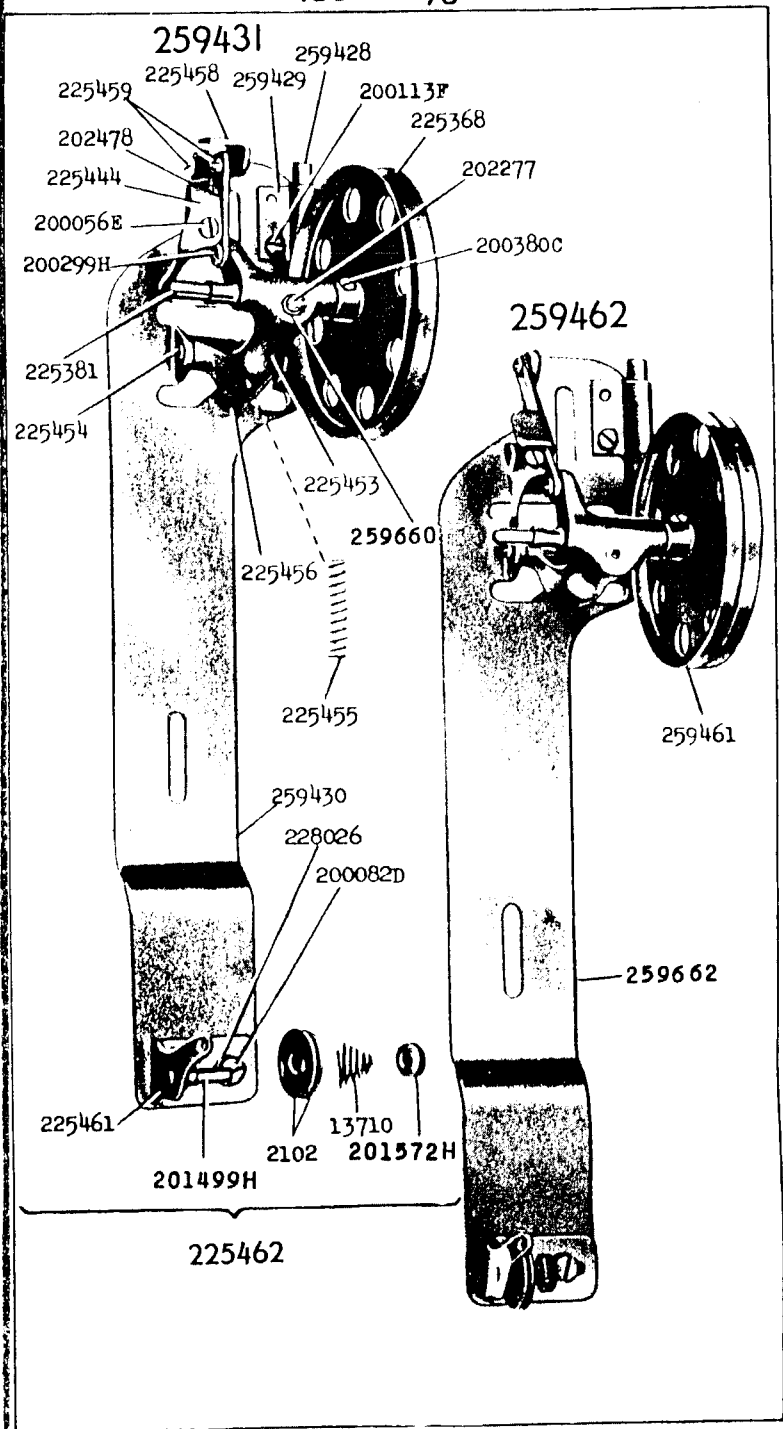
NUMERICAL LIST OF PARTS

| No. | Plate | Name |
|---------|-------|--|
| 350540C | 18556 | Balance Wheel Position Screw, for 270170 |
| 350541C | 18556 | " " Set Screw, for 270170 |
| 350543C | 18558 | Feed Driving Eccentric Friction Adjusting Screw, for 275043 |
| 350543C | 18556 | Needle Bar Rock Frame Driving Eccentric Friction Adjusting Screw, for 267147 |

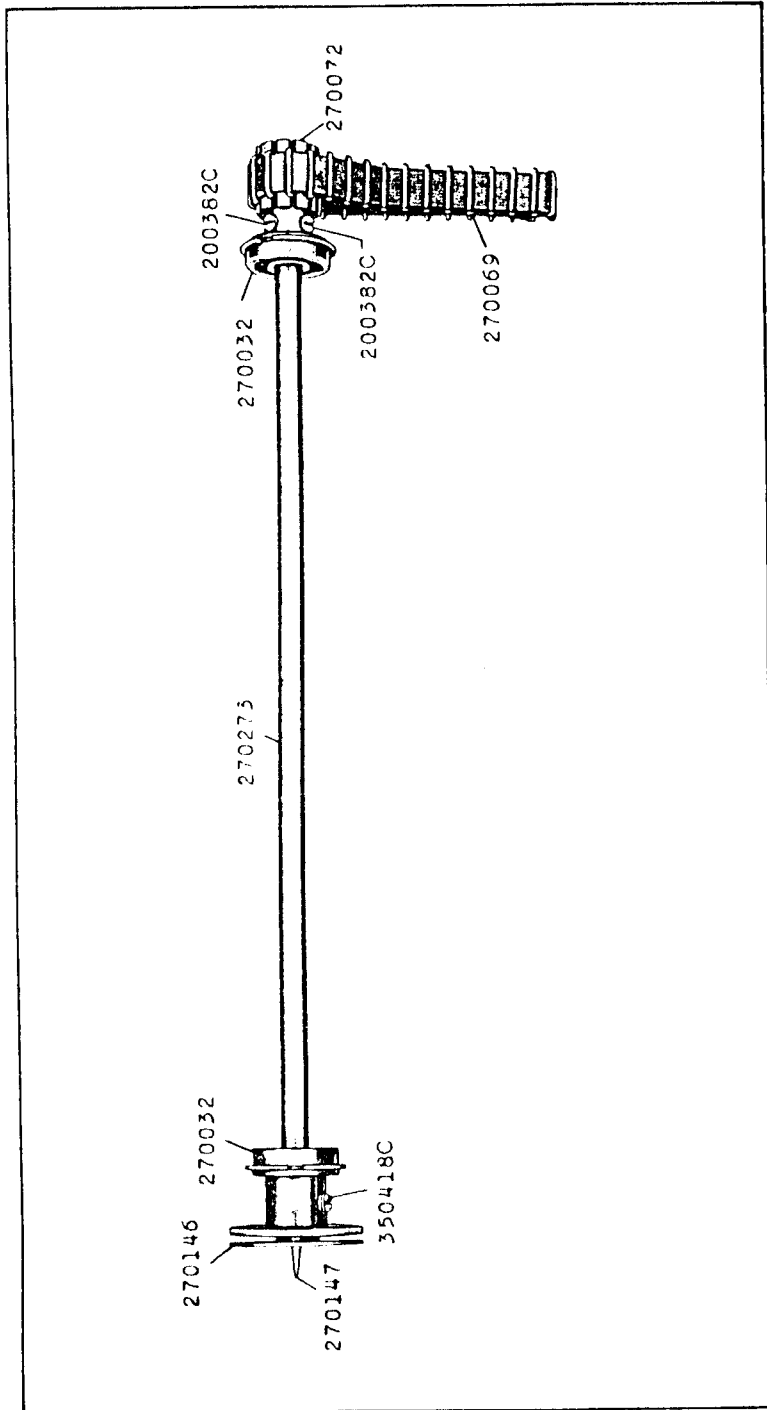
18312 - 3/8

SINGER Needles should be used
in SINGER Machines.
These Needles and their Containers
are marked with the
Company's Trade Mark "SIMANCO.***" 1

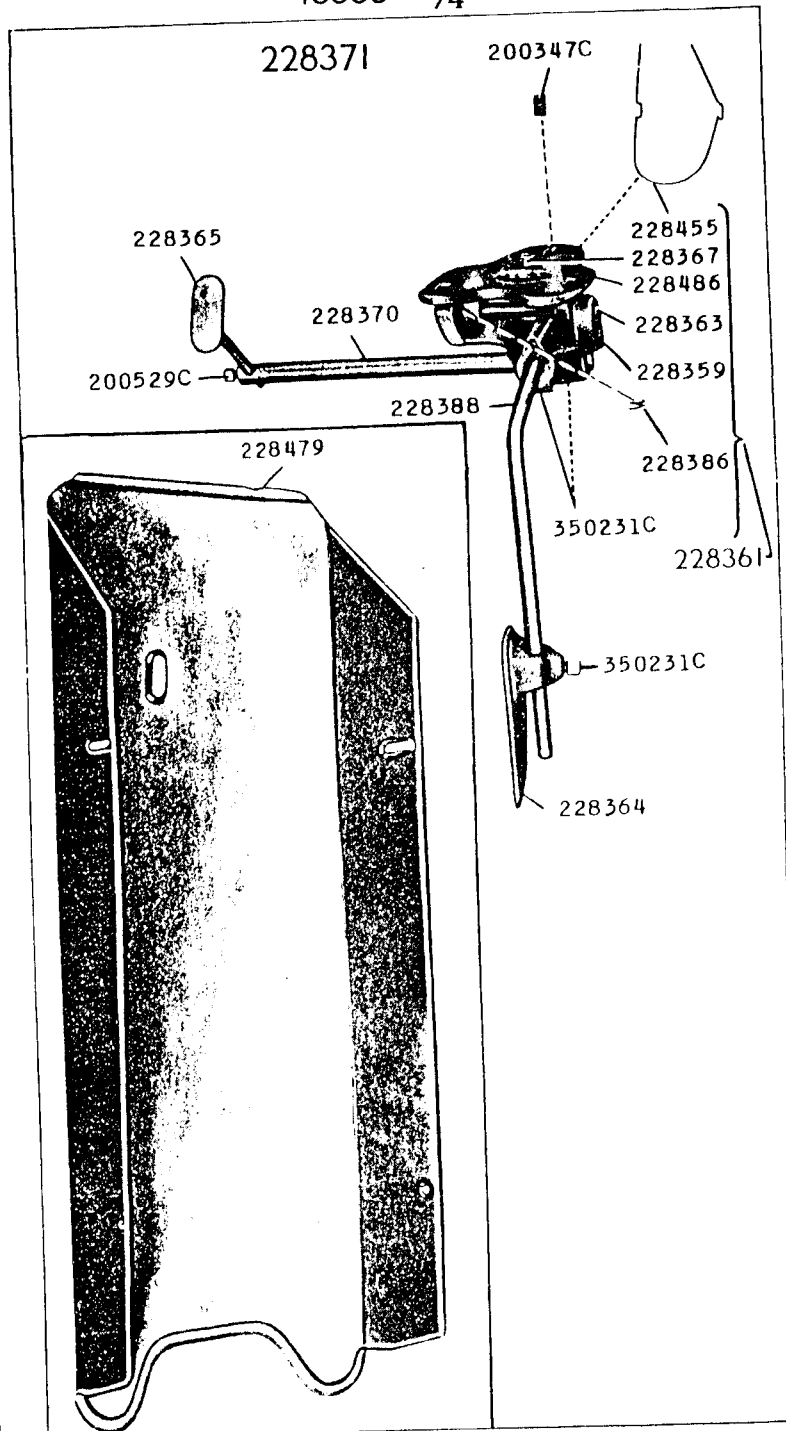
Needles in Containers marked
"FOR SINGER MACHINES"
are NOT **SINGER** made needles. 2



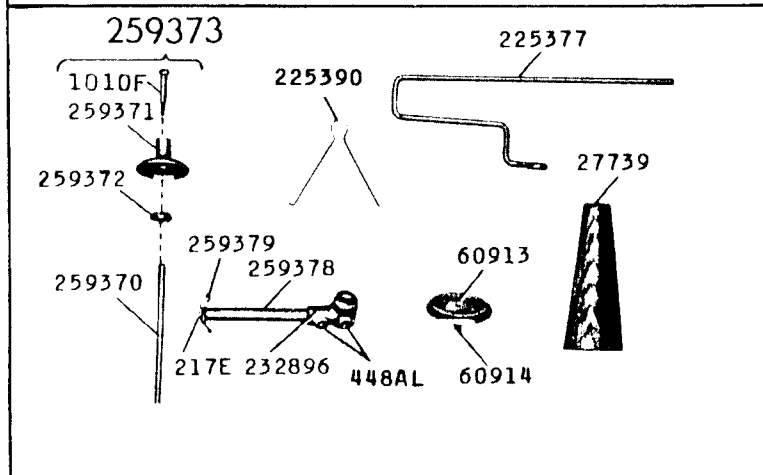
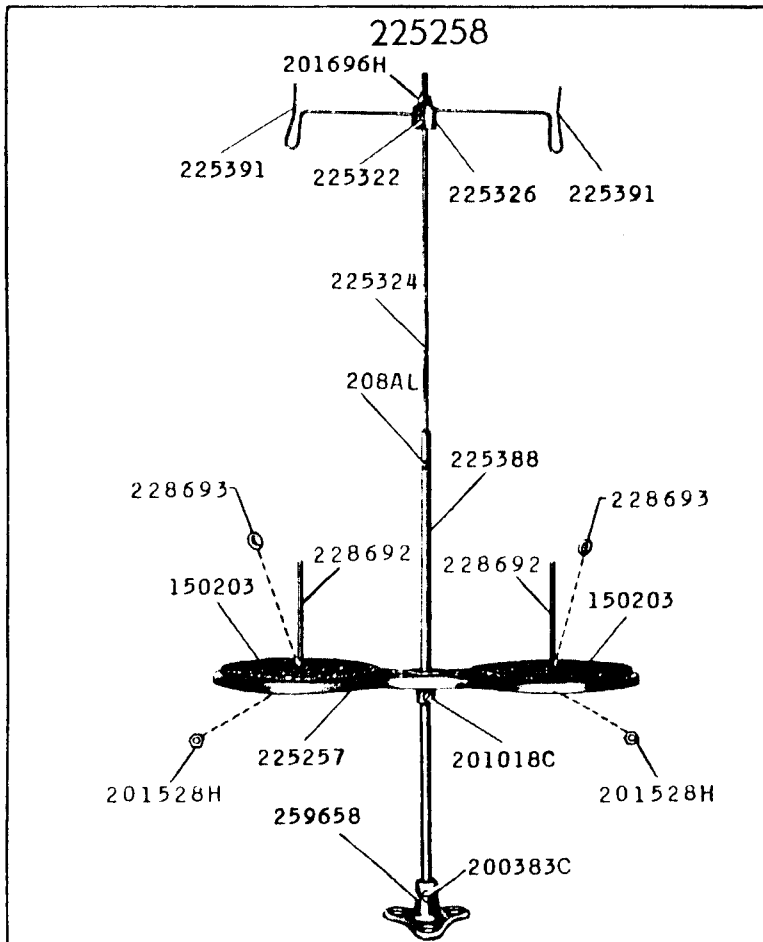
18327 - 3/8



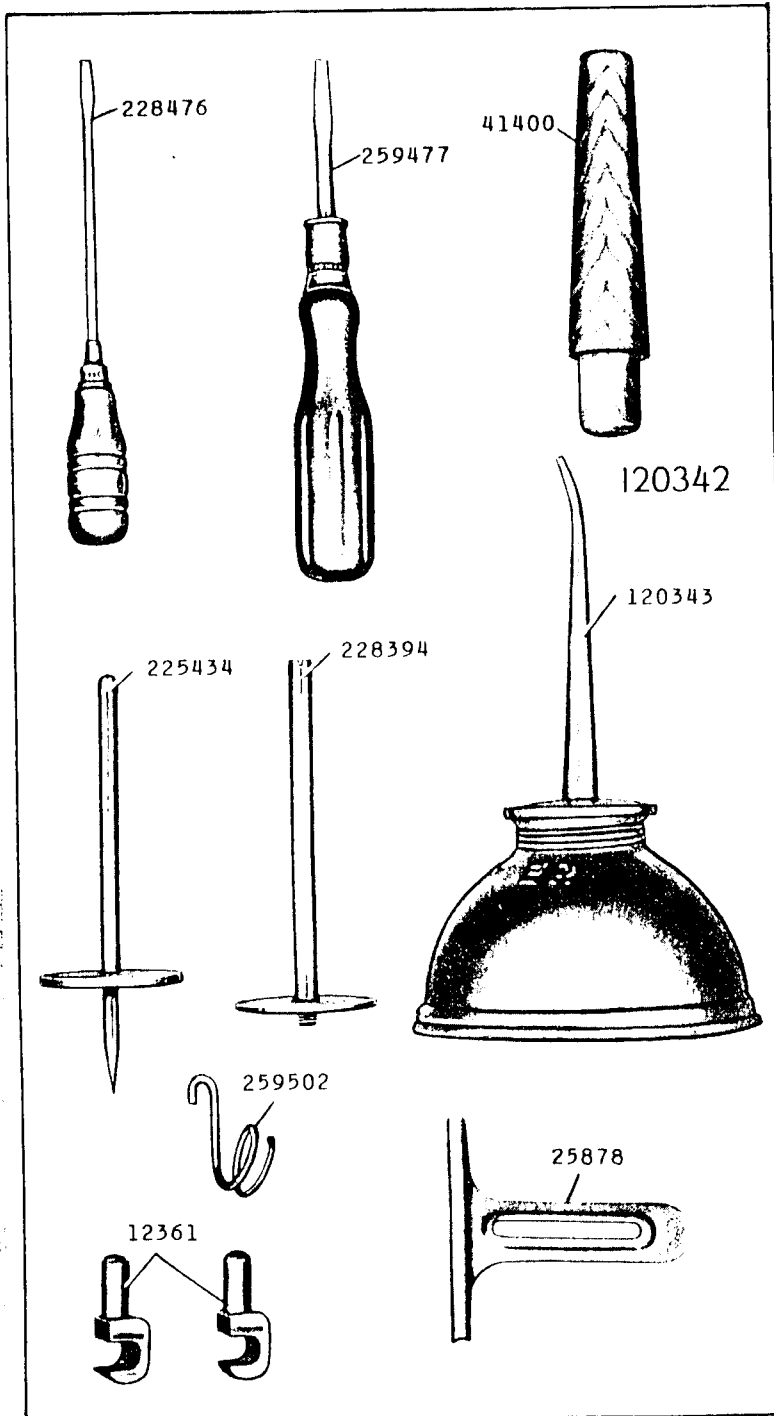
18333 - 1/4

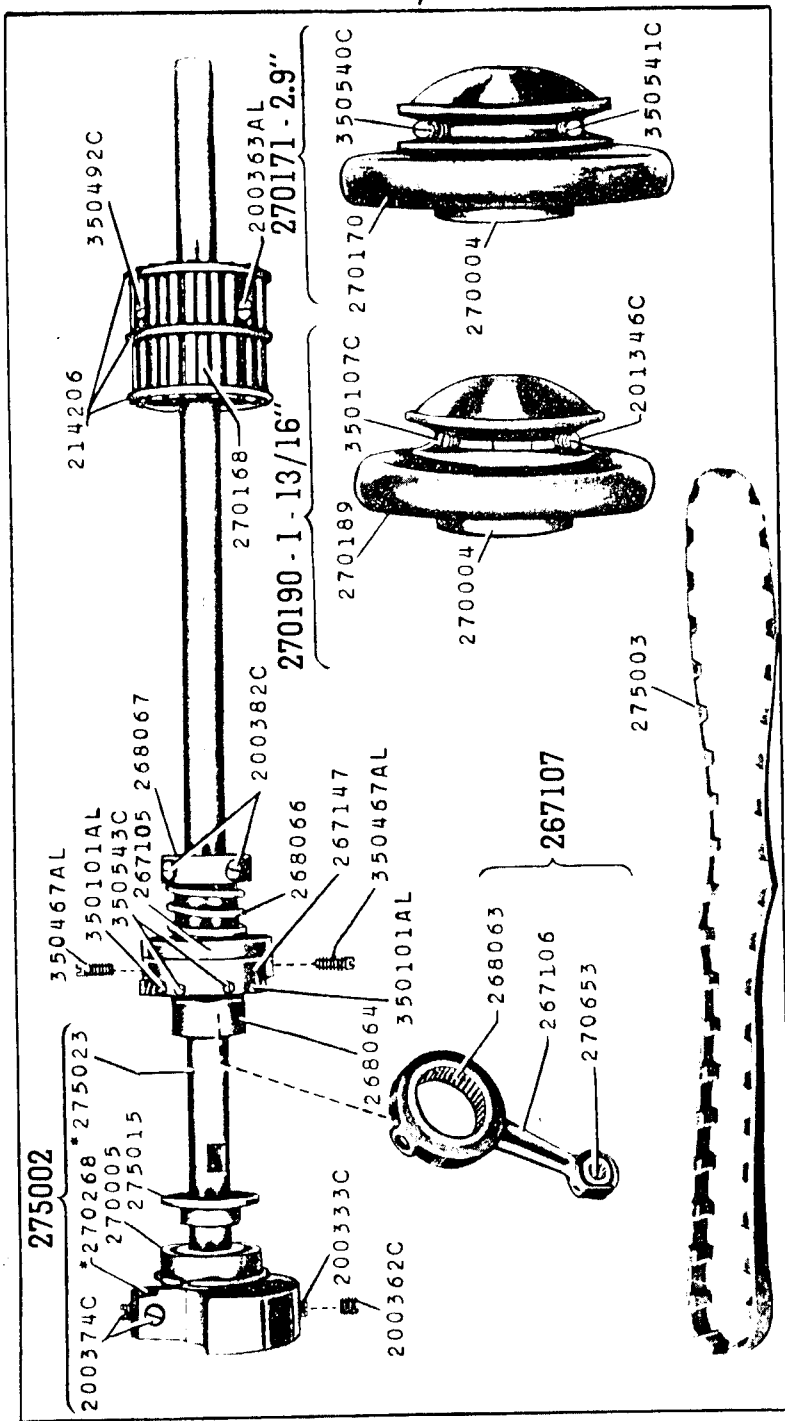
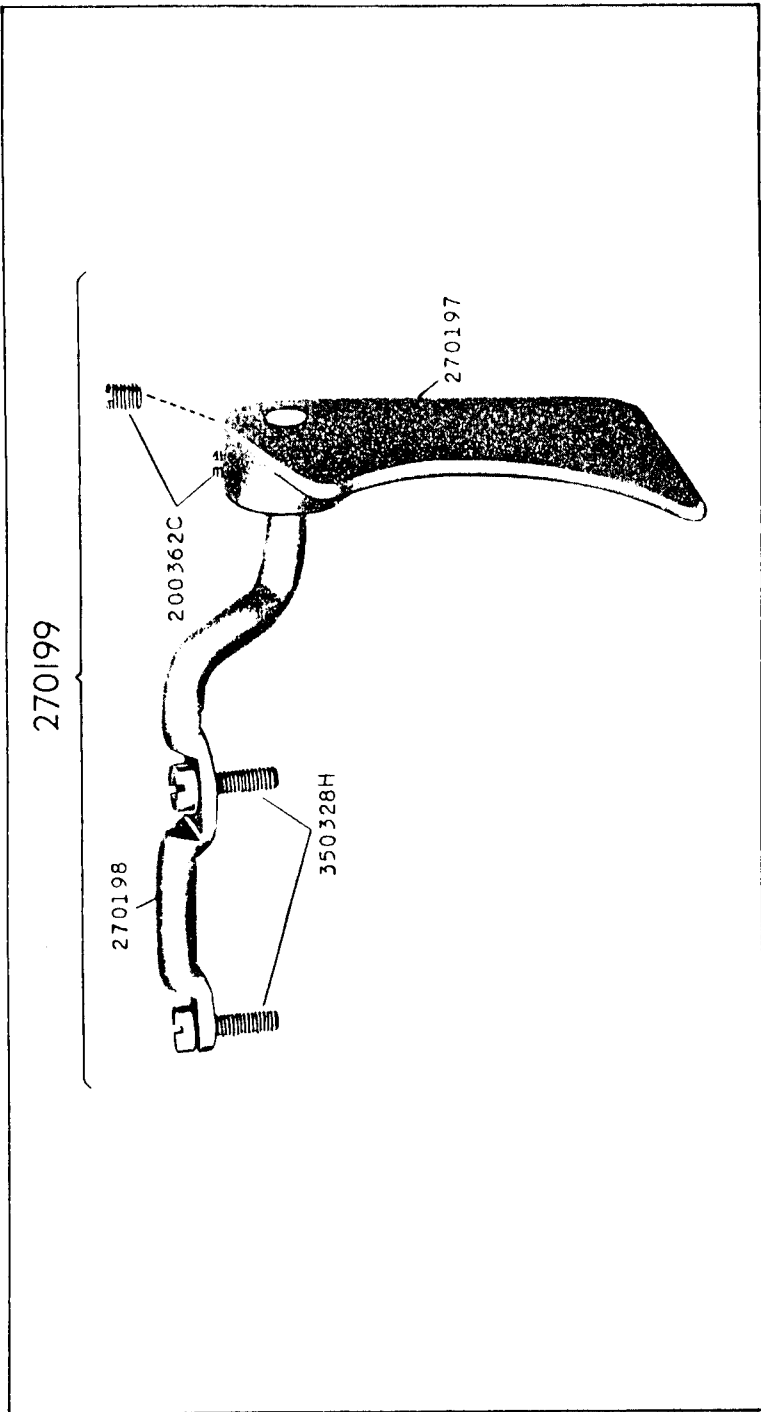


18362 - 1/6

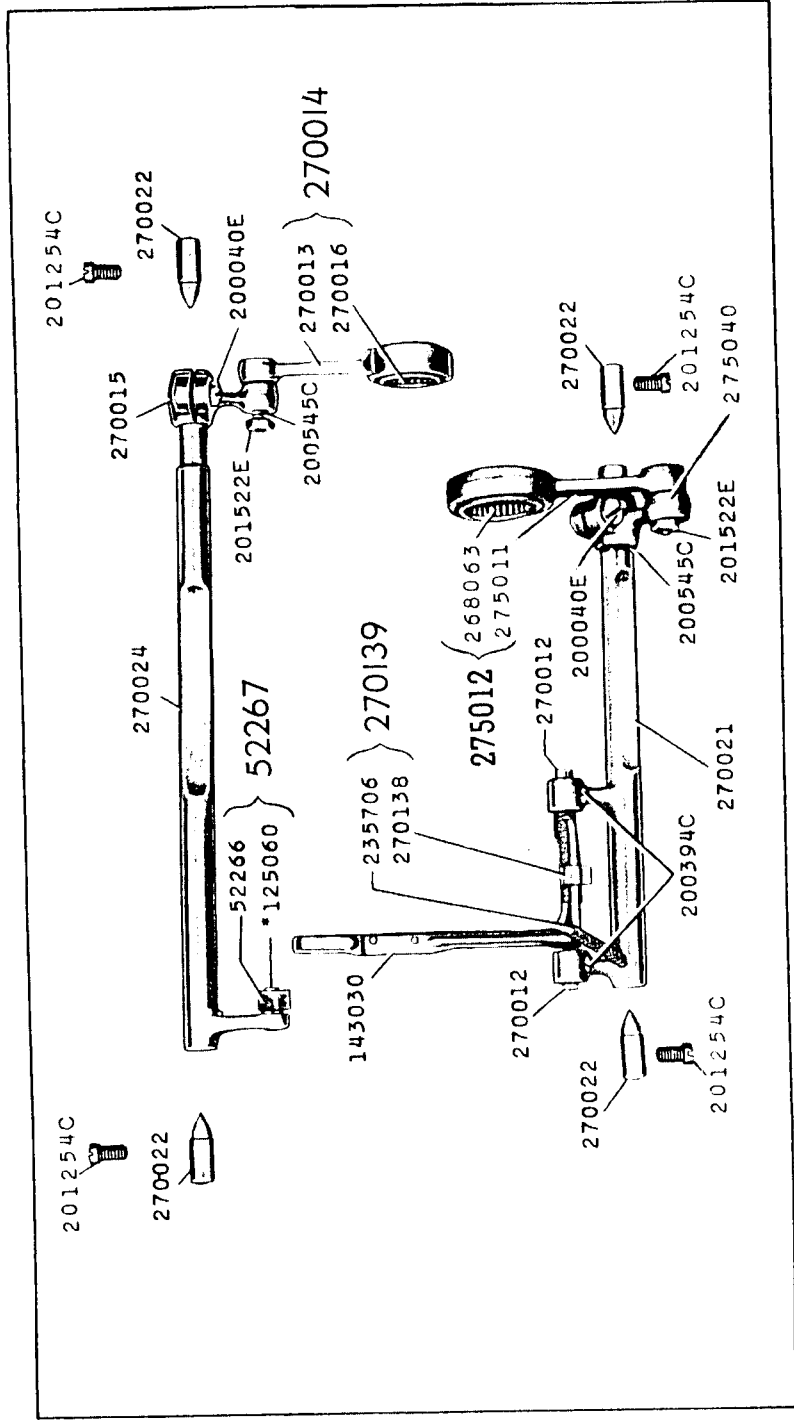


18441 - 1/2

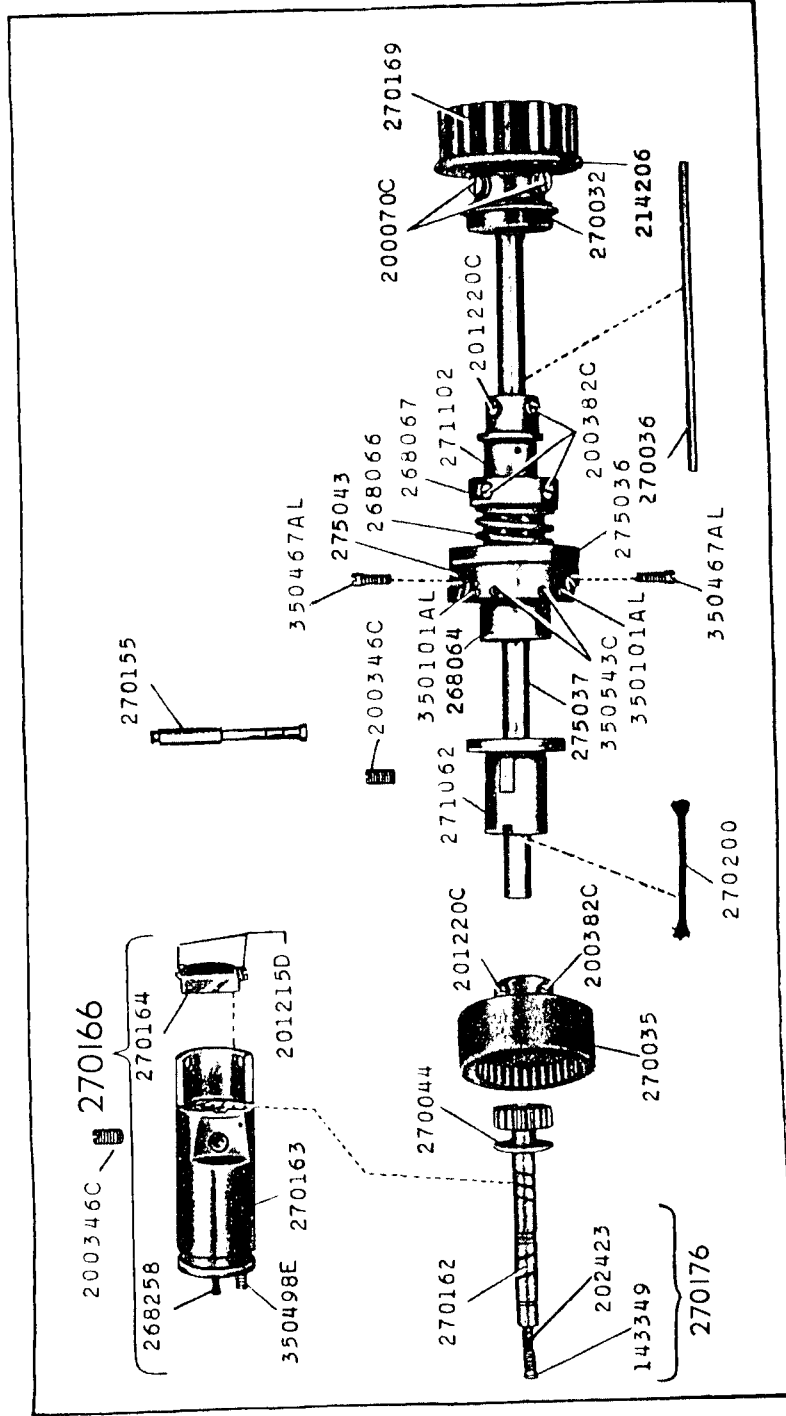


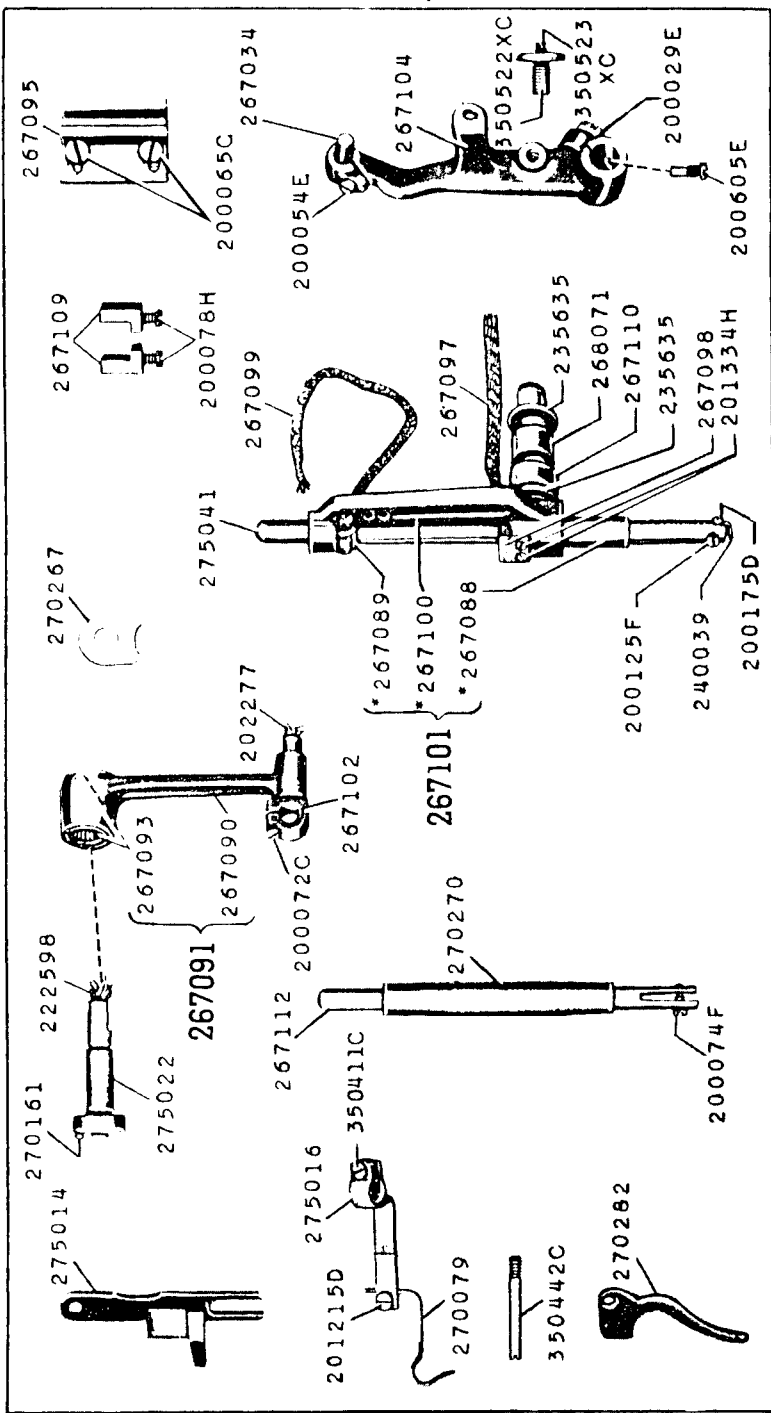
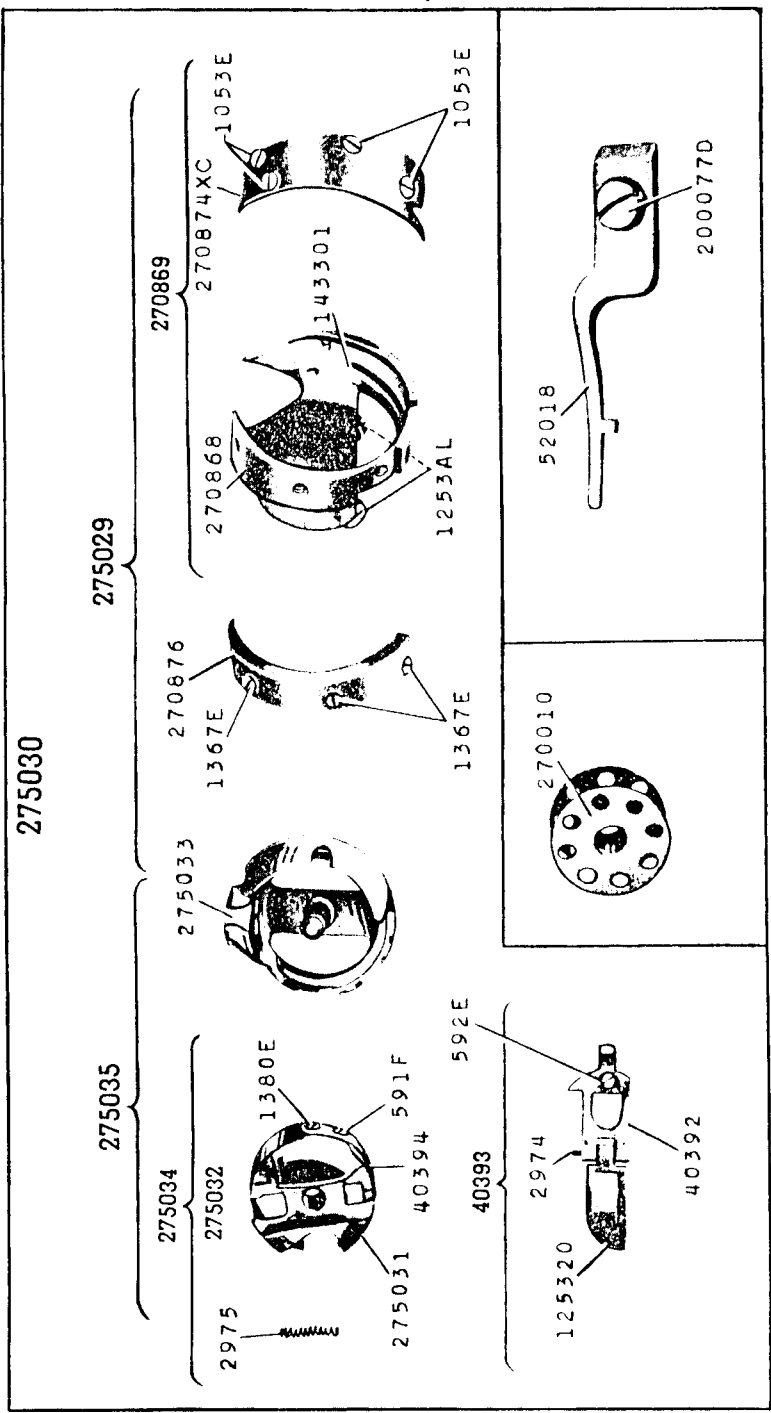


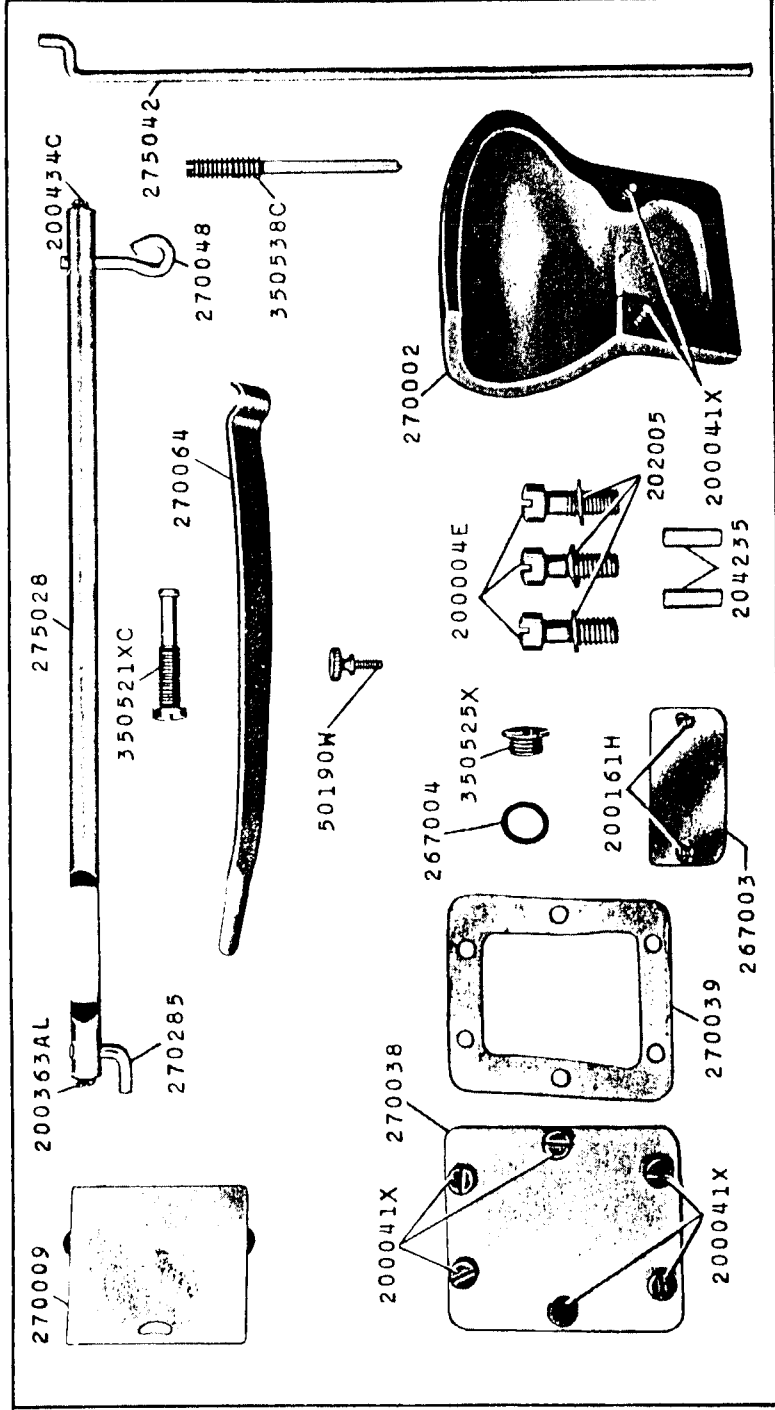
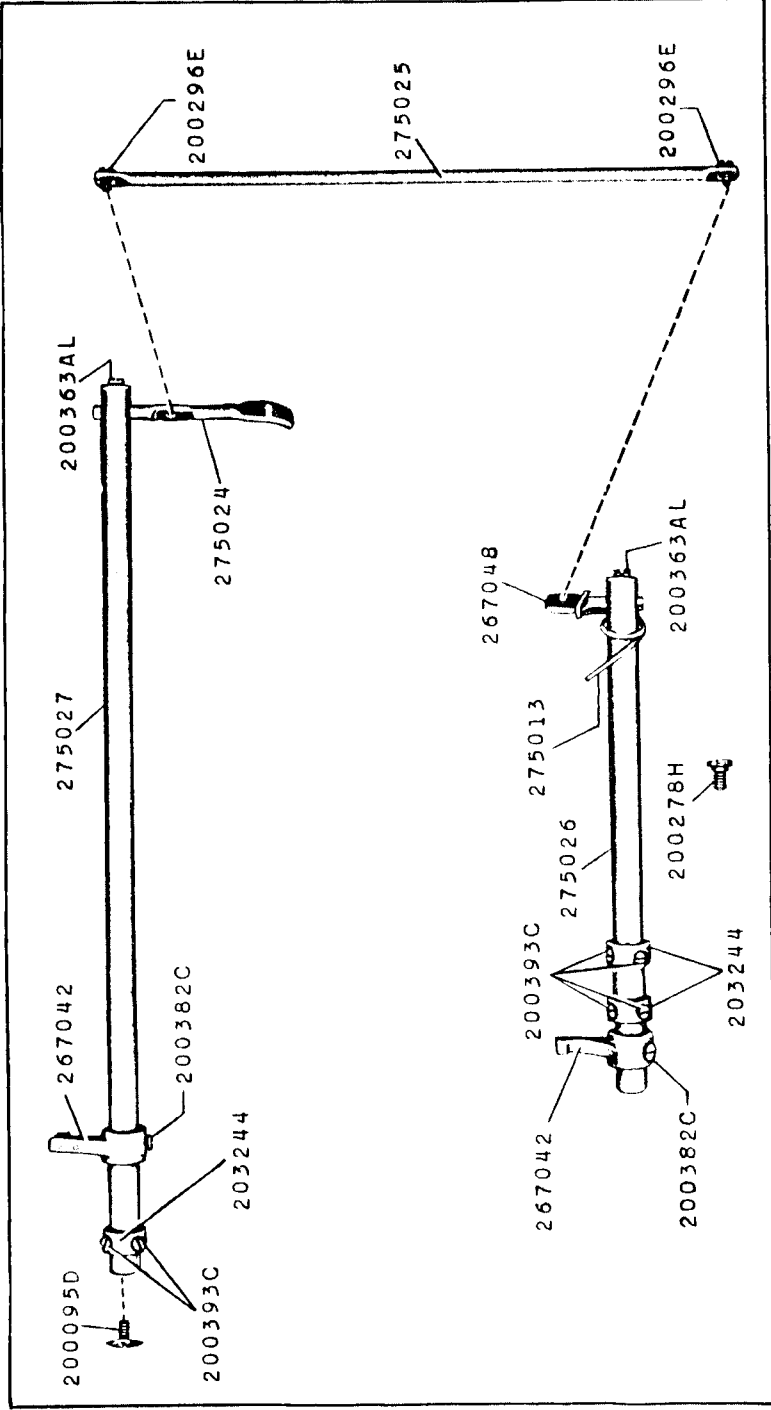
18557 - 3/8



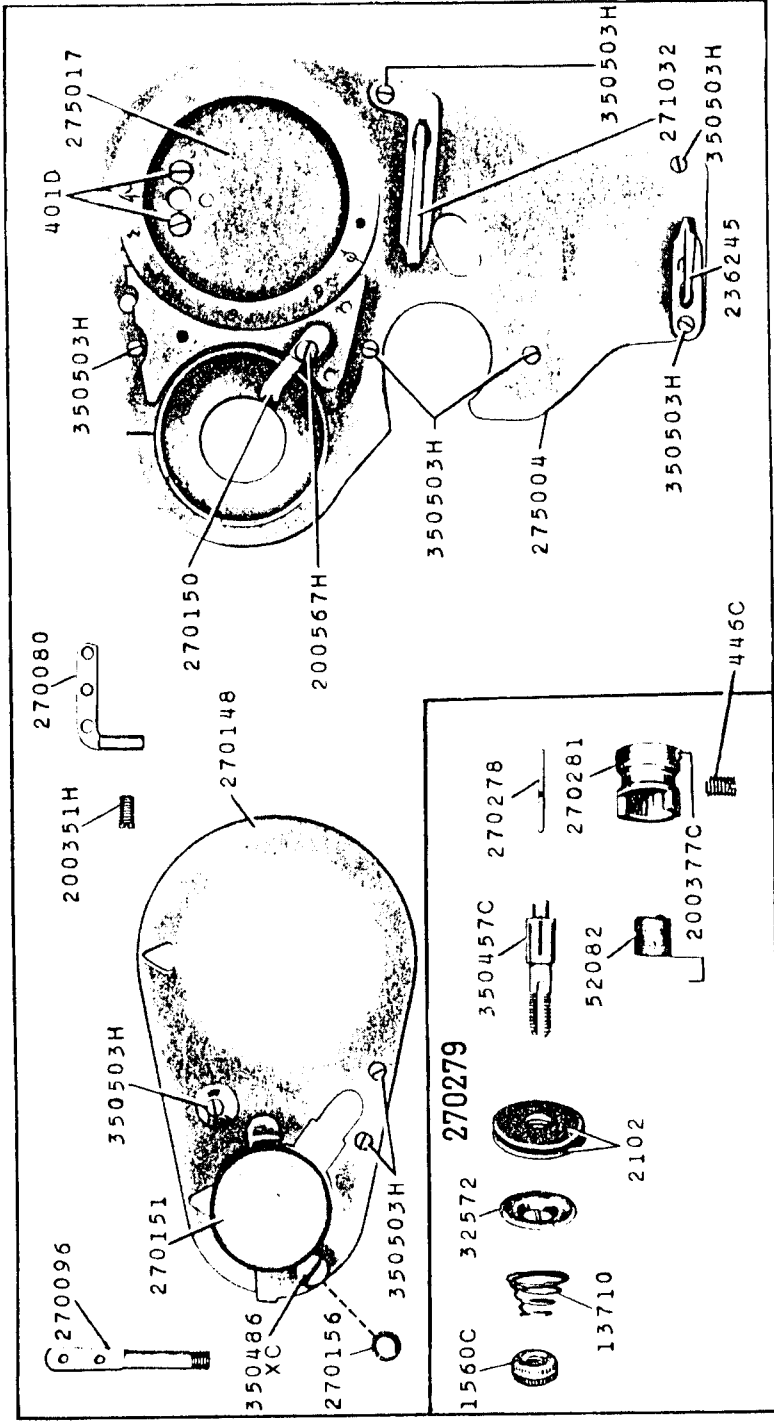
18558 - 3/8







18563 - 1/2



18564

