

SINGER
410W9

Form 2924w

(546)

Printed in U. S. A.

LIST OF PARTS



MACHINE No. 410w9

THE SINGER MANUFACTURING COMPANY

INDEX

	Page
Accessories	11
Knee Lifter	11
Machine No.410w9	5
Numerical List of Parts	13

Copyright, U. S. A. 1940, 1942, 1945 and 1946
by The Singer Manufacturing Co.
All Rights Reserved for all Countries

INSTRUCTIONS FOR ORDERING

In ordering from this list, use ONLY the PART number in the FIRST column.

The number stamped on a Sewing Machine Part is the number of the Single Part only, except when the part includes Set Screws, Clamping Screws, Studs and Rollers Spun on, Small Wires riveted, or Parts soldered together, etc., which it is necessary to furnish in combination.

Every combination of parts sent out has its specific number which, although not stamped on Parts (except in above case), must be used when ordering the combination.

Each number always indicates the SAME PART in whatever list it appears, or for whatever Machine.

The letters after some of the numbers indicate the style of finish only, as follows:

- A. Hardened, Polished, Nickel Plated and Buffed.
- B. Polished, Nickel Plated and Buffed.
- C. Hardened only.
- D. Polished only.
- E. Soft, not polished.
- F. Hardened and Polished.
- H. Blued.
- J. Nickel Plated only.
- R. Merlized.
- X. Black Oxide.
- XC. Hardened and Black Oxide.
- Y. Black Nickel only.

These letters MUST BE USED when they appear in the list and AFTER the number, as in the list.

In this series:

200001 to 201500 and 350001 to 351500 are Screw Numbers.
 201501 to 201800 and 351501 to 351800 are Nut Numbers.
 201801 to 202000 and 351801 to 352000 are Roller Numbers.
 202001 to 350000 are Numbers of Machine Parts.

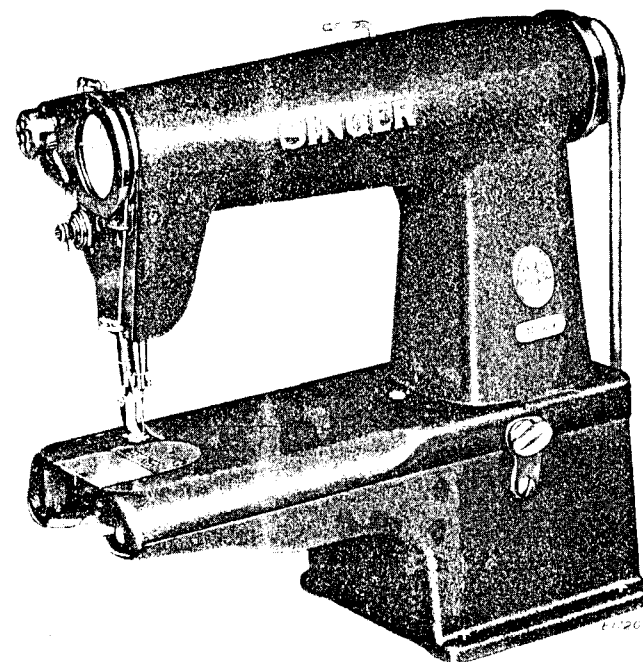
The figures in the second column refer only to the plate in which the illustration of the part is shown and are NOT TO BE USED in ordering.

Two or more numbers over a cut indicate that the difference between such parts is not visible in an illustration.

Parts marked with an asterisk (*) are furnished when repairs are made at the factory.

LIST OF PARTS COMPLETE

FOR



MACHINE No. 410w9

DOUBLE ROTARY TAKE-UP HIGH SPEED

CYLINDER BED BASE DROP FEED

SINGLE NEEDLE, SINGLE THREAD CHAIN STITCH

For Basting or Stitching Tubular Articles

No.	Plate	Name
*270001	-----	Arm
270002	18289	" Cover Plate (back)
200041X	18289	" " " Screw (2)
204235	18289	" Position Pin (2)
200004E	18289	" Screw (3)
202005	18289	" " Washer (3)
*270084	-----	" Shaft
270177	18301	" " 270084 with 200333C, 200378C, 270005 and 270099
270004	18301	Arm Shaft Ball Bearing (back)
270005	18301	" " " " (front)
270158	18301	" " Connection Belt
270006	18301	" " " " Pulley with 200363C, 350492C and two 202253
350492C	18301	Arm Shaft Connection Belt Pulley Position Screw

PARTS FOR MACHINE No. 410w9

No.	Plate	Name
200363C	18301	Arm Shaft Connection Belt Pulley Set Screw
202253	18301	Arm Shaft Connection Belt Pulley Spring Flange
270104	18301	Balance Wheel (belt groove 1-13/16 in. diam.) with two 200354C
270105	18301	Balance Wheel 270104 with 270004, 270123 and two 200580H
270106	18301	Balance Wheel "V" belt groove (outside diam. of belt groove 2.9 in.) with two 200354C
270107	18301	Balance Wheel 270106 with 270004, 270102 and two 200580H
Note: Balance Wheel 270107 is furnished with this machine unless otherwise specified on order.		
270102	18301	Balance Wheel Cap
270123	18301	" " " "
200580H	18301	" " " Screw
200354C	18301	" " Set Screw
*270471	-----	Bed
270472	-----	" Base (5" high)
203184	18289	" Clamp
200262H	18289	" " Hinge Screw
202622	18289	" " Packing Washer
200728X	18289	" " Thumb Screw
203185	18289	" " Washer
202618	18289	" Hinge
200060H	18289	" " Screw (6)
270404	18289	" Slide
270144	18278	Face Plate
200583H	18278	" " Screw (5)
143185	18288	Feed Bar Body with two each 1607C and 51220AL
51220AL	18288	Feed Bar Body Adjusting Screw
1607C	18288	" " " " Lock Nut
704C	18288	" " " Screw
270012	18288	" " Center (2)
200394C	18288	" " Set Screw
143186	18288	" " Shank
52266	18288	" " Slide Block
52267	18288	" " " " 52266 with 125060
*125060	18288	" " " Stud
143187	18288	Feed Bar (tilting, adjustable) complete, Nos. 704C, 143185 and 143186
271033	18285	Feed Dog 19 teeth (16 teeth to the inch)
50117E	18285	Feed Dog Screw (2)
270013	18288	" Driving Connection
270014	18288	" " " 270013 with 270016
270015	18288	Feed Driving Connection Crank with 200040E

PARTS FOR MACHINE No. 410w9

No.	Plate	Name
200040E	18288	Feed Driving Connection Crank Pinch Screw
200545C	18288	Feed Driving Connection Hinge Screw
201522E	18288	" " " " " Nut
270016	18288	" " " Needle Bearing
270017	18277	" " Eccentric
271101	18277	" " " Adjusting Disc
270137	18277	" " " " " Spring
270111	18277	" " " " " "
Collar with 201220C		
201220C	18277	Feed Driving Eccentric Adjusting Disc Spring Collar Position Screw
240231	18277	Feed Driving Eccentric Friction Gib
200369C	18277	" " " " "
Adjusting Screw		
350101C	18277	Feed Driving Eccentric Friction Gib Adjusting Screw Set Screw
270020	18277	Feed Driving Flange with 200333C, 200346C, two each 200369C and 350101C
200333C	18277	Feed Driving Flange Position Screw
200346C	18277	" " " Set Screw
270021	18288	" " Rock Shaft with two 200394C
270022	18288	" " " " Center (2)
350277C	18288	" " " " " Set Screw
(2)		
270013	18288	Feed Lifting Connection
270014	18288	" " " 270013 with 270016
270015	18288	Feed Lifting Connection Crank with 200040E
200040E	18288	Feed Lifting Connection Crank Pinch Screw
200545C	18288	Feed Lifting Connection Hinge Screw
201522E	18288	" " " " " Nut
270016	18288	" " " Needle Bearing
271102	18277	" " Eccentric with 200382C and 201220C
201220C	18277	Feed Lifting Eccentric Position Screw
200382C	18277	" " " Set Screw
270024	18288	" " Rock Shaft with 52267
270022	18288	" " " " Center (2)
350277C	18288	" " " " " Set Screw
(2)		
270140	18277	Feed Regulating Stud
270026	18277	" " " Spring
240245	18277	" " " Retaining Spring
270045	18283	Knee Lifter Lifting Link
270285	18289	" " " " Connection
200427C	18289	" " " " " Set Screw
Screw		
200293C	18283	Knee Lifter Lifting Link Hinge Screw
270094	18289	" " " Rod
270048	18289	" " " " Connection
200434C	18289	" " " " " Set Screw
270049	18289	" " Rock Shaft with 200427C and 200434C

No.	Plate	Name
271003	18277	Looper
270031	18277	" Driving Shaft
270032	18277	" " " Ball Bearing
270033	18277	" " " Bushing with 222598
222598	18277	" " " " Oil Packing (wick)
200362C	18277	Looper Driving Shaft Bushing Set Screw
270034	18277	" " " Connection Belt Pulley with 200253 and two 200070C
200070C	18277	Looper Driving Shaft Connection Belt Pulley Set Screw
202253	18277	Looper Driving Shaft Connection Belt Pulley Spring Flange
271004	18277	Looper Driving Shaft Gear with 200382C, 201220C and 271006
201220C	18277	Looper Driving Shaft Gear Position Screw
200382C	18277	Looper Driving Shaft Gear Set Screw
271005	18277	" " " Oil Lead Wire
270038	18289	" " " " Reservoir Cover
270039	18289	Looper Driving Shaft Oil Reservoir Cover Gasket
200041X	18289	Looper Driving Shaft Oil Reservoir Cover Screw (6)
270082	18277	Looper Driving Shaft Oil Reservoir Oil Gauge
*271006	-----	Looper Driving Shaft Oil Slinger
271007	18277	" Idler Shaft
271008	18277	" " " Collar with two 50150AL
50150AL	18277	Looper Idler Shaft Collar Set Screw
271009	18277	" " " Needle Bearing
200F	18277	" Set Screw
271010	18277	" Shaft
271044	18277	" " Bushing
271045	18277	" " " 271044 with 271007, 271008, 271010, 271013, 271046, two each 271009 and 271014
200917C	18277	Looper Shaft Bushing Position Screw
271013	18277	" " Collar with 200F and 462AL
462AL	18277	" " " Set Screw
271046	18277	" " Friction Plate
271014	18277	" " Needle Bearing
271031	18277	Needle and Loop Guide
200082D	18277	" " " " Screw
271027	18283	" Bar with 350445F
270124	18283	" " Bushing (lower)
270261	18283	" " " (upper)
350489C	18283	" " " " Set Screw
270053	18283	" " Connecting Link
270054	18283	" " " " 270053 with 270043
270055	18283	Needle Bar Connecting Link Guide Block
200054E	18283	" " " " " " " " " " Screw (2)

No.	Plate	Name
270143	18283	Needle Bar Connecting Link Hinge Stud with 210983 and 222598
222598	18283	Needle Bar Connecting Link Hinge Stud Oil Packing (wick)
200374C	18301	Needle Bar Connecting Link Hinge Stud Set Screw
270043	18283	Needle Bar Connecting Link Needle Bearing
270100	18283	Needle Bar Connecting Link Thrust Washer
270057	18283	Needle Bar Connecting Stud with 200086C and 202330
202330	18283	Needle Bar Connecting Stud Oil Packing (wick)
200086C	18283	Needle Bar Connecting Stud Pinch Screw
*270099	-----	" " Crank with two 200374C
200333C	18301	" " " Position Screw
200378C	18301	" " " " " Check Screw
270058	18283	Needle Bar Oiling Felt
350445F	18283	" Set Screw
270059	18283	Presser Bar with 176J
270060	18283	" " Bushing
270061	18283	" " Lifter
350442C	18283	" " " Hinge Screw
270062	18283	" " Lifting Releasing Lever Bracket
270095	18283	Presser Bar Lifting Releasing Lever Bracket Spring
270063	18283	Presser Bar Position Guide with 200196E and 350411C
350411C	18283	Presser Bar Position Guide Pinch Screw
270064	18289	" " Spring
350435C	18289	" " " Screw (pressure regulating)
270065	18289	Presser Bar Spring Stud
202090	18285	" Foot Hinge Pin
271041	18285	" " Plate
176J	18283	" " Screw
271042	18285	" " Shank
26231	18285	" " Spring
271043	18285	Presser Foot (spring hinged) complete, Nos. 26231, 202090, 271041 and 271042
271040	18278	Rotary Take-up (large)
210983	18283	" " " Position Pin
401D	18278	" " " Screw (2)
270146	18302	" " (small) with 270147 and 350418C
270068	18302	Rotary Take-up (small) Driving Shaft
270032	18302	" " " " " " " " " " Ball Bearing (2)
270069	18302	Rotary Take-up (small) Driving Shaft Connection Belt
270070	18301	Rotary Take-up (small) Driving Shaft Driving Pulley with two each 200358C and 270071

No.	Plate	Name
200358C	18301	Rotary Take-up (small) Driving Shaft Driving Pulley Set Screw
270071	18301	Rotary Take-up (small) Driving Shaft Driving Pulley Spring Flange
270072	18302	Rotary Take-up (small) Driving Shaft Pulley with two 200382C
200382C	18302	Rotary Take-up (small) Driving Shaft Pulley Set Screw
350418C	18302	Rotary Take-up (small) Set Screw
270147	18302	" " " Thread Cast-off Pin
270148	18278	Rotary Take-up Guard
200583H	18278	" " " Screw (3)
2102	18278	Tension Disc
270076	18283	" Releaser (adjustable)
200132E	18283	" " Screw
32572	18278	" Releasing Disc
270086	18278	" " Pin
13710	18278	" Spring
50304C	18278	" Stud
52098	18278	" " 50304C with 1560C
50305C	18278	" " Set Screw
1560C	18278	" Thumb Nut
270087	18278	Tension complete, Nos. 13710, 32572, 52082, 52083, 52098, 270086 and two 2102
271017	18278	Thread Guide
270149	18278	" " (upper)
236245	18278	" " (lower)
270077	18283	" " (on needle bar bushing)
200580H	18278	" " Screw (2)
270079	18283	" Pull-off
200196E	18283	" " " Set Screw
271029	18278	" Retainer
200355H	18278	" " Set Screw
270150	18278	" Severing Finger
270151	18278	" " " Guard
350486XC	18278	" " " " Hinge Screw
270156	18278	" " " " " "
		Spring Washer
200567H	18278	Thread Severing Finger Screw
52082	18278	" Take-up Spring
52083	18278	" " " Regulator with 50305C
446C	18278	Thread Take-up Spring Regulator Set Screw
271034	18285	Throat Plate
691F	18285	" " Screw

ACCESSORIES

No.	Plate	Name
50190W	18289	Attachment Thumb Screw
25878	18290	Guide
135 x 1	-----	Needles, size 16
228453	18290	Auxiliary Knee Lifter Rock Lever Rod with 227785
227785	18290	Auxiliary Knee Lifter Rock Lever Rod Cap
51078	18290	Machine Bolt (4)
6055	18290	" " Washer (4)
228454	18290	" Cushion (felt) (2)
41401	18290	" Rest Pin (wood)
120342	18290	Oiler (copper plated) with 120343
120343	18290	" Spout (3-1/2 in. long)
259477	18290	Screw Driver

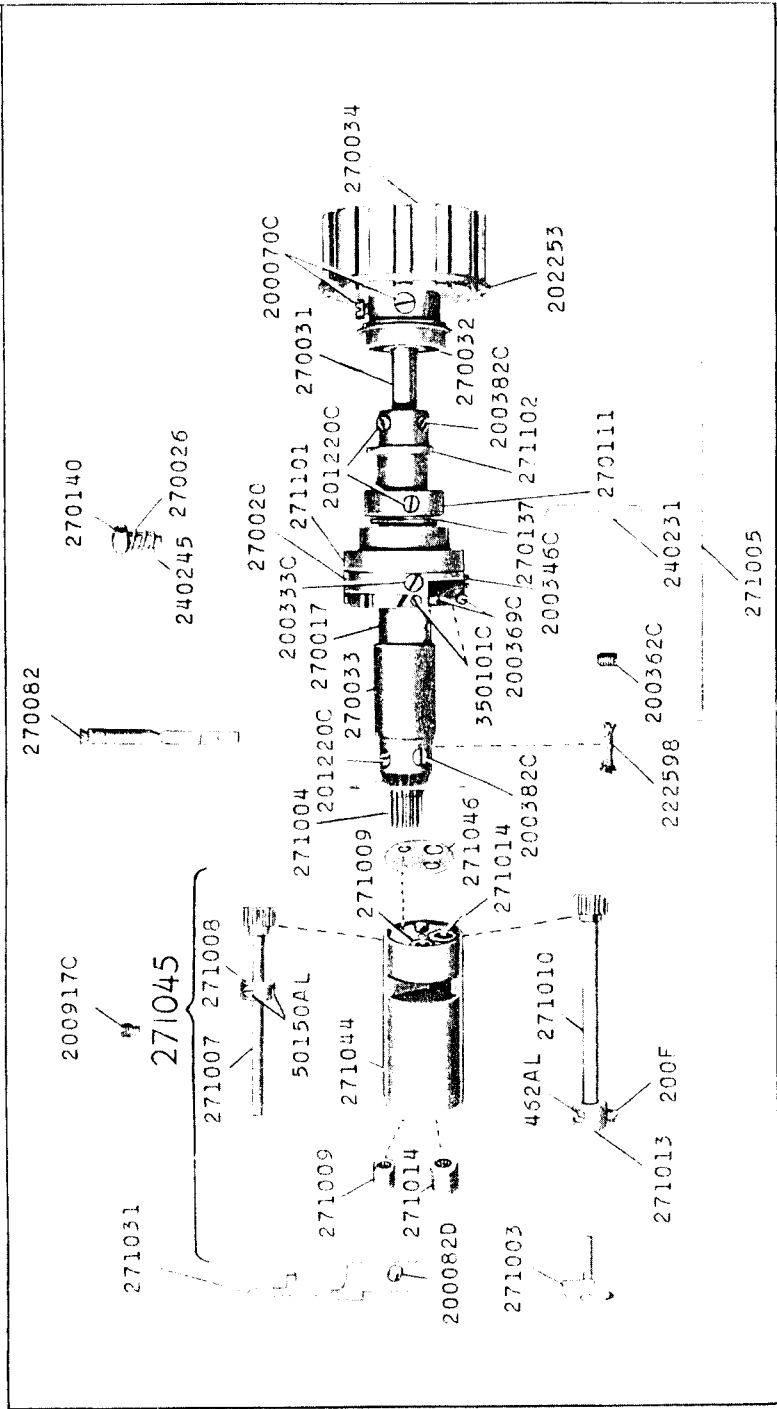
KNEE LIFTER

228360	18291	Rock Lever Bracket with 200347C and three wood screws 7/8 in., No. 12
228361	18291	Rock Lever Bracket 228360 with 228359, 228363, 228367, 228386 and 228455
228359	18291	Rock Lever with two 350231C
228370	18291	" " Extension with 200529C
350231C	18291	" " " Set Screw
228363	18291	" " Hinge Pin
228364	18291	" " Knee Plate with 350231C
228388	18291	" " " " Arm
350231C	18291	" " " " Set Screw
350231C	18291	" " " " Set Screw
228455	18291	" " Position Spring
228365	18291	" " Rod
200529C	18291	" " " Set Screw
228386	18291	" " Spring
228367	18291	" " Stop Stud
200347C	18291	" " " " Set Screw
228371	18291	Knee Lifter Rock Lever complete, Nos. 228361, 228364, 228365, 228370 and 228388

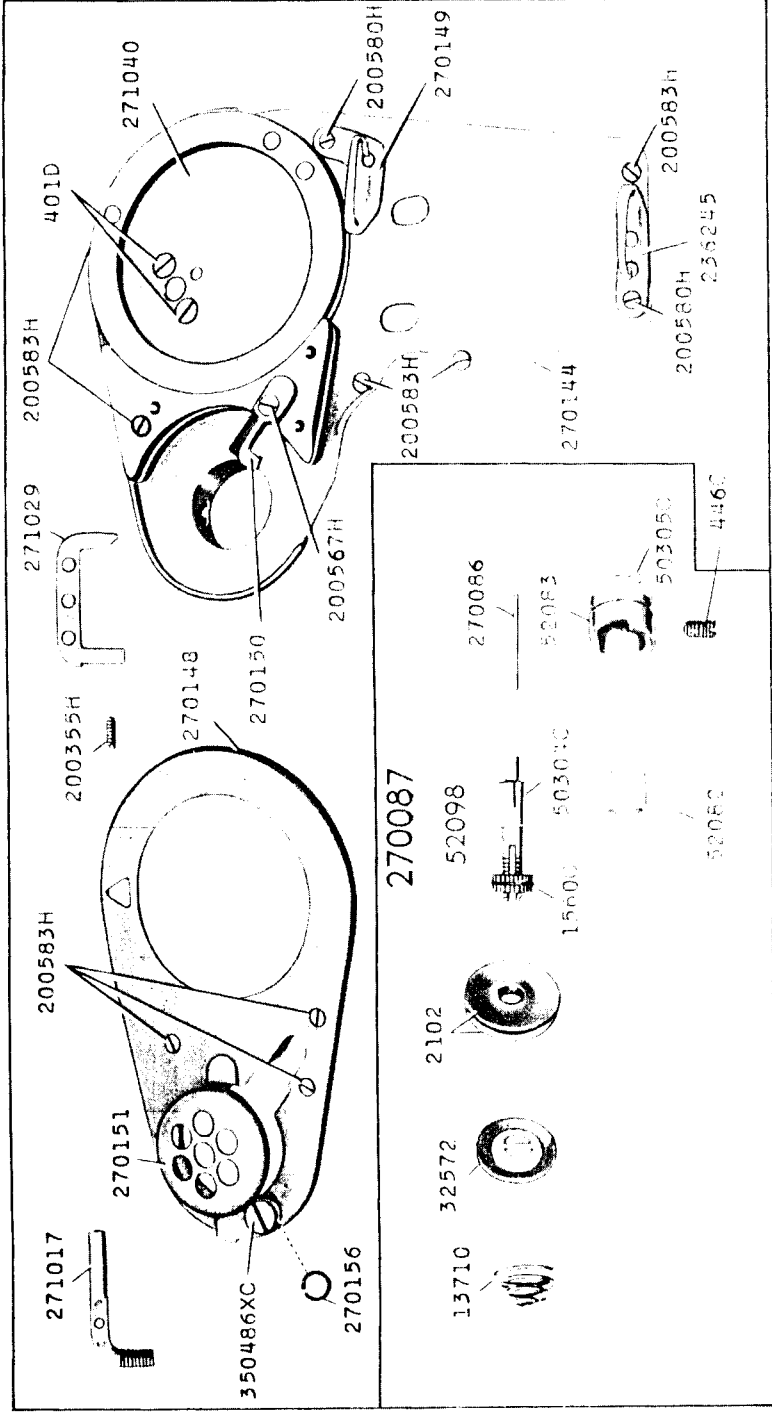
(Other Knee Lifter parts are listed with parts
of machine head.)

Genuine Singer Needles should be used
in Singer Machines.
These Needles and their Containers
are marked with the
Company's Trade Mark "SIMANCO." 1

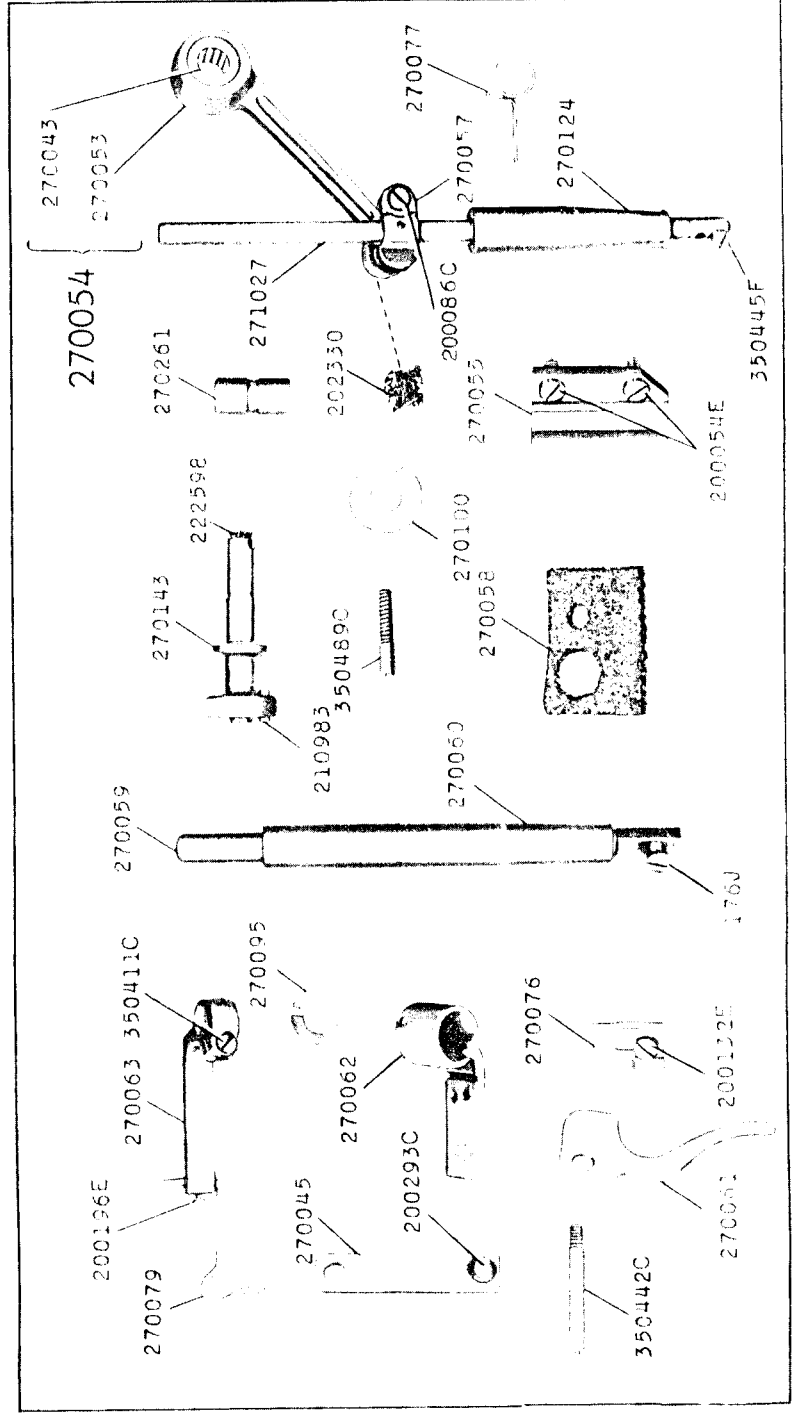
Needles in Containers marked
"For Singer Machines"
are not Singer made needles. 2



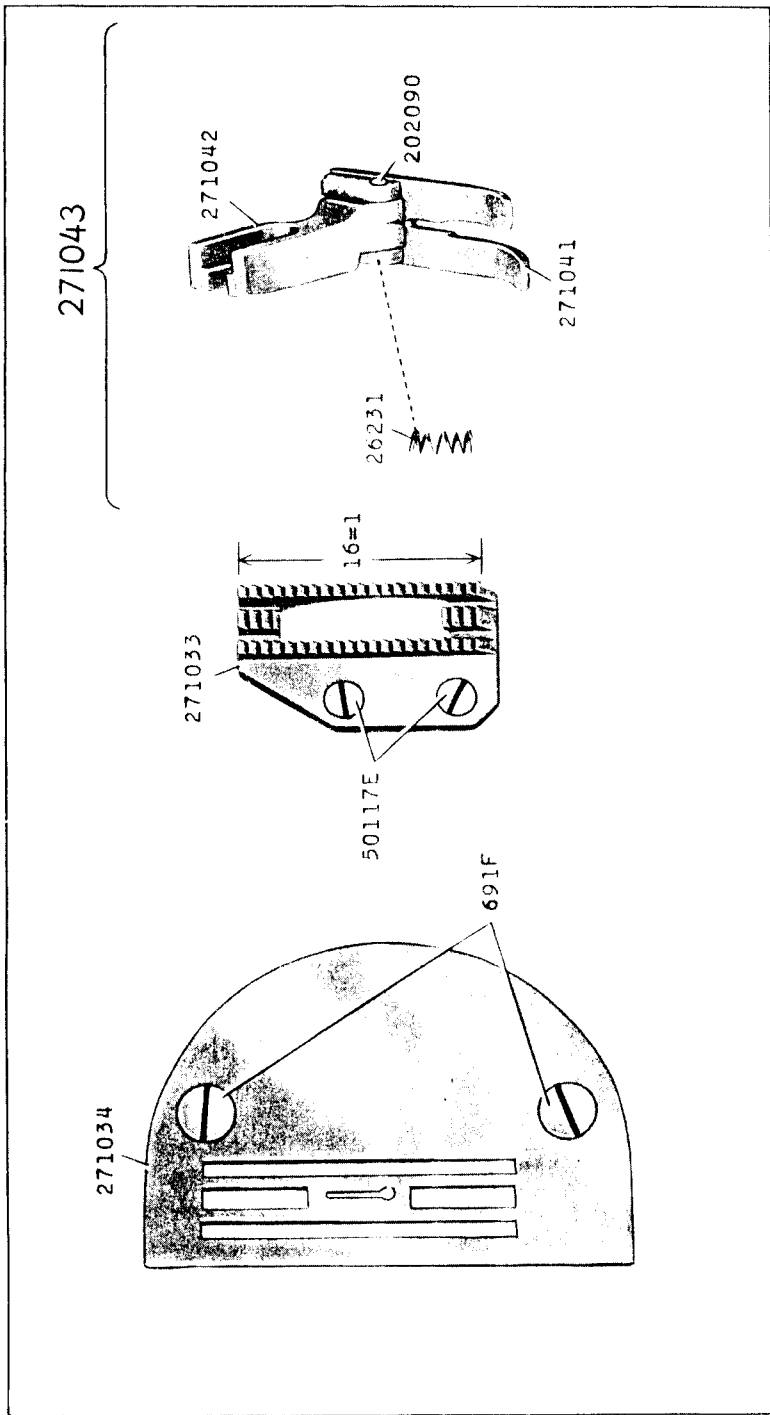
18278 - 1/2



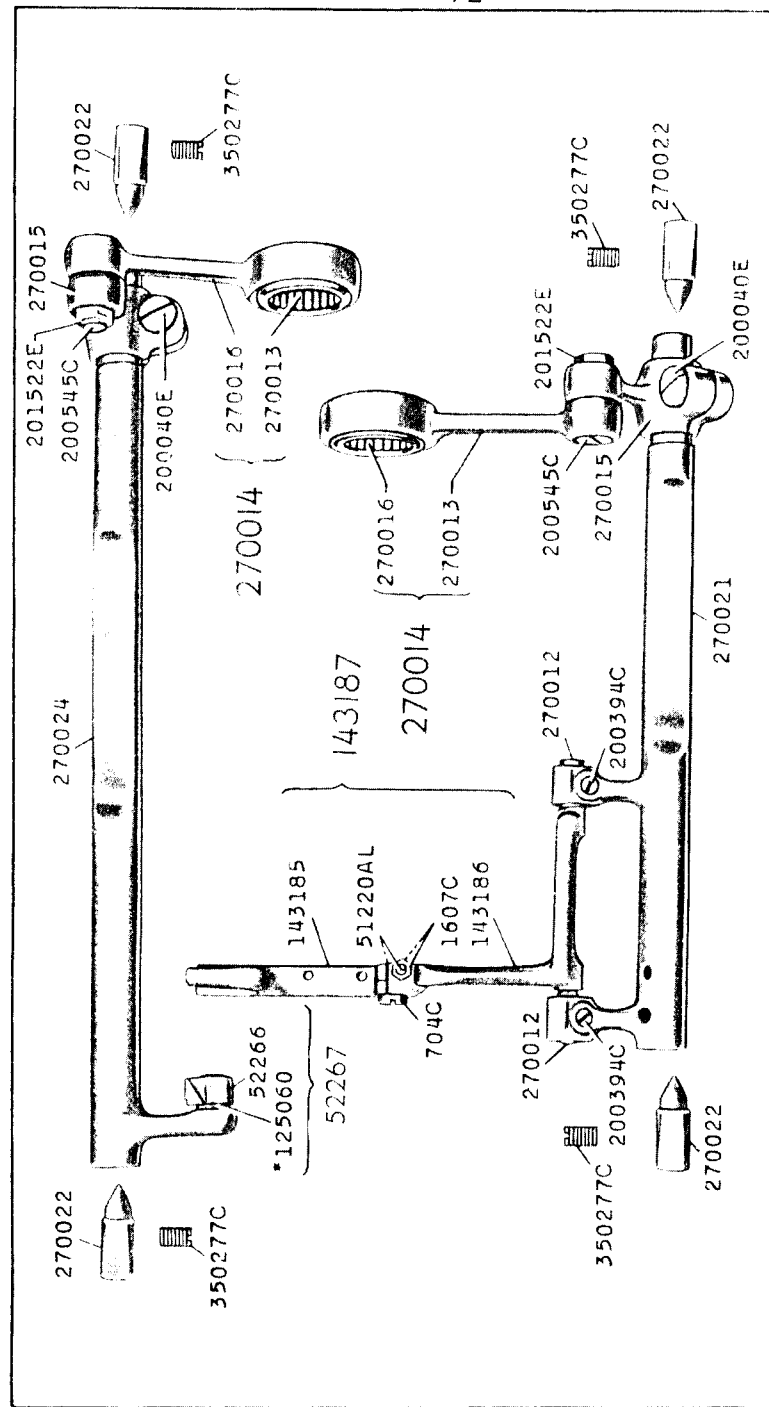
18283 - 1/2



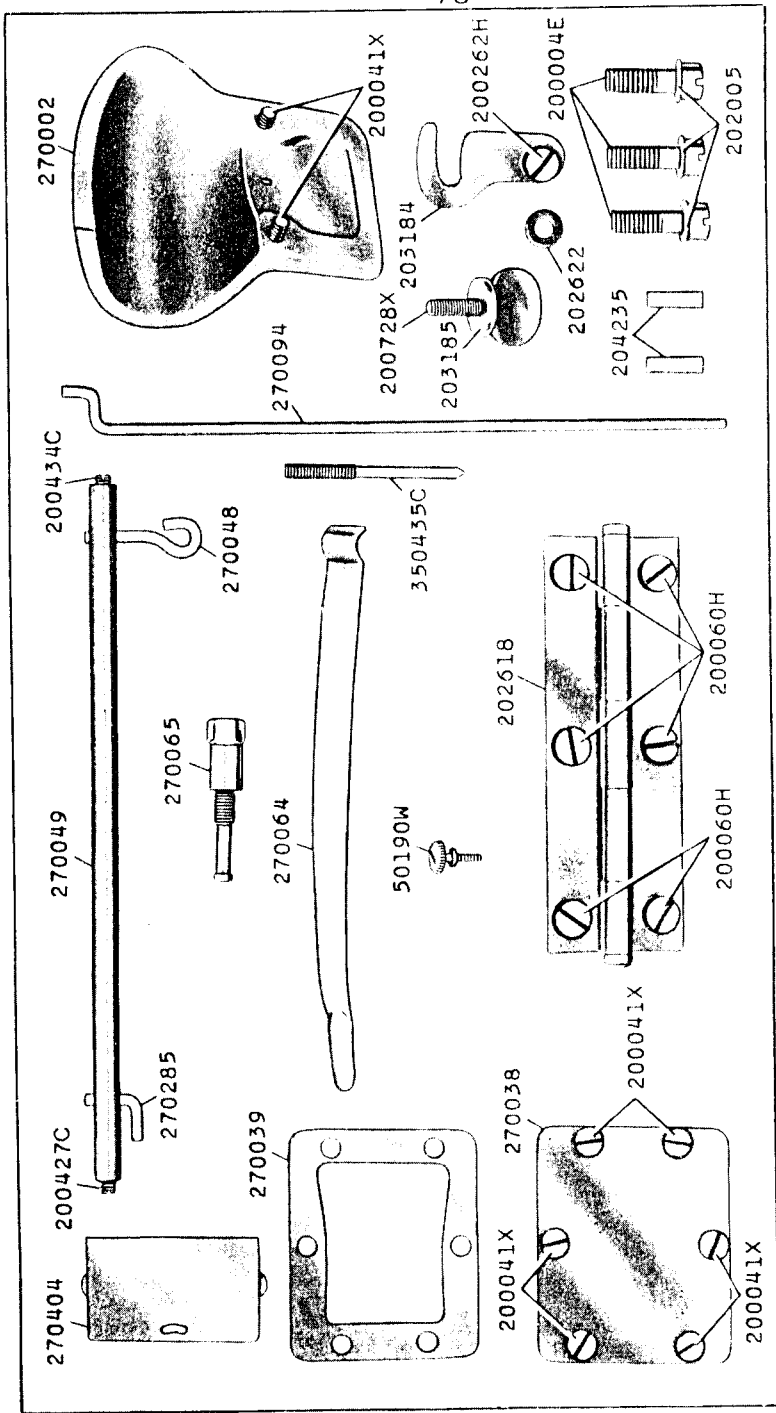
18285



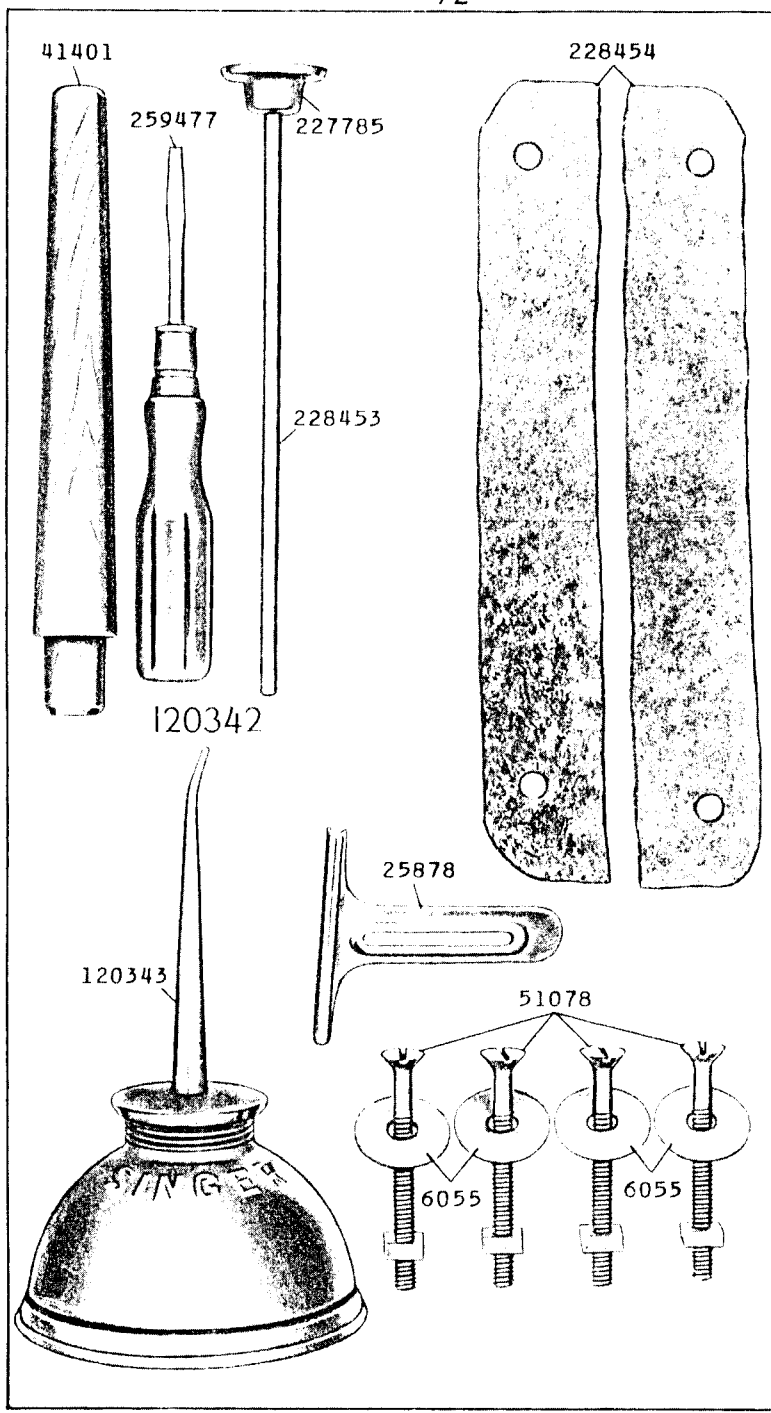
18288 - 1/2



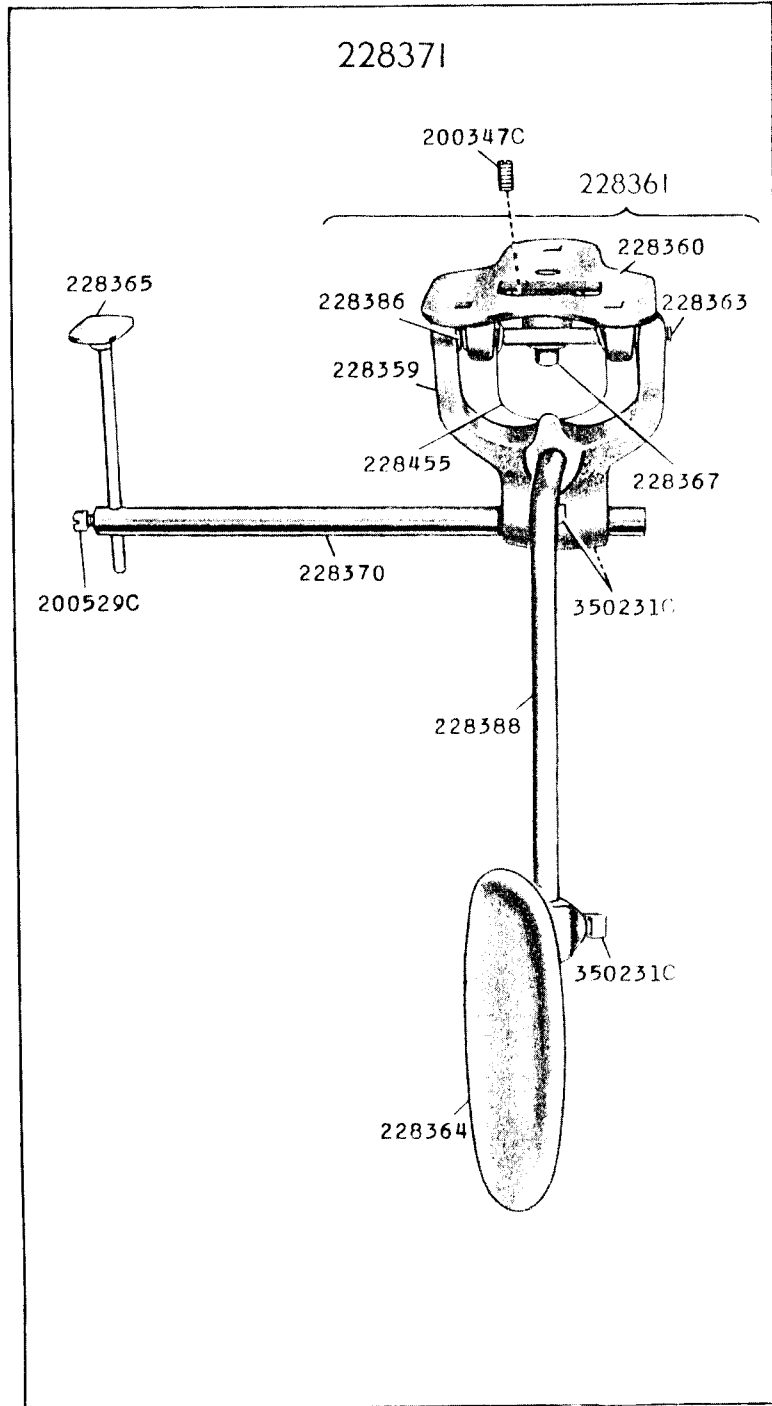
18289 - 3/8



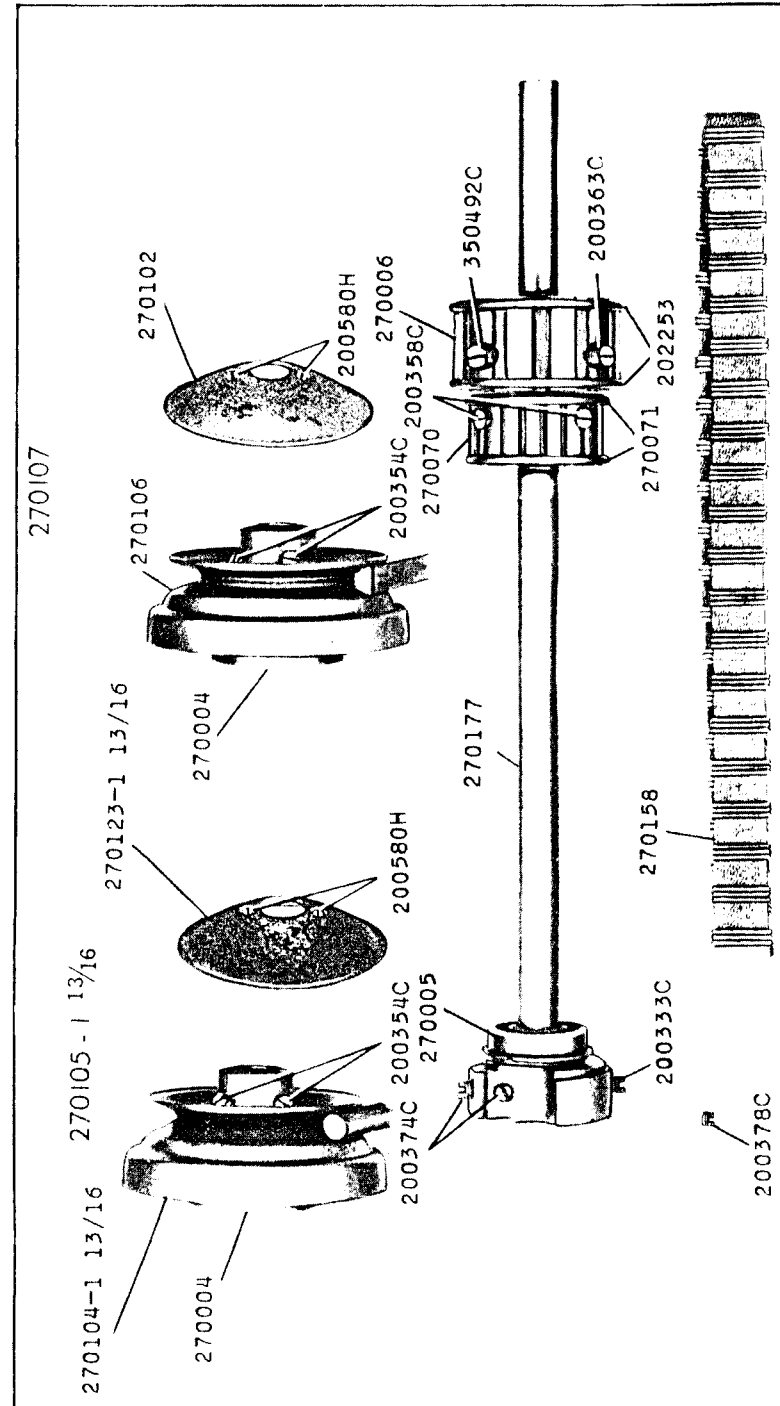
18290 - 1/2



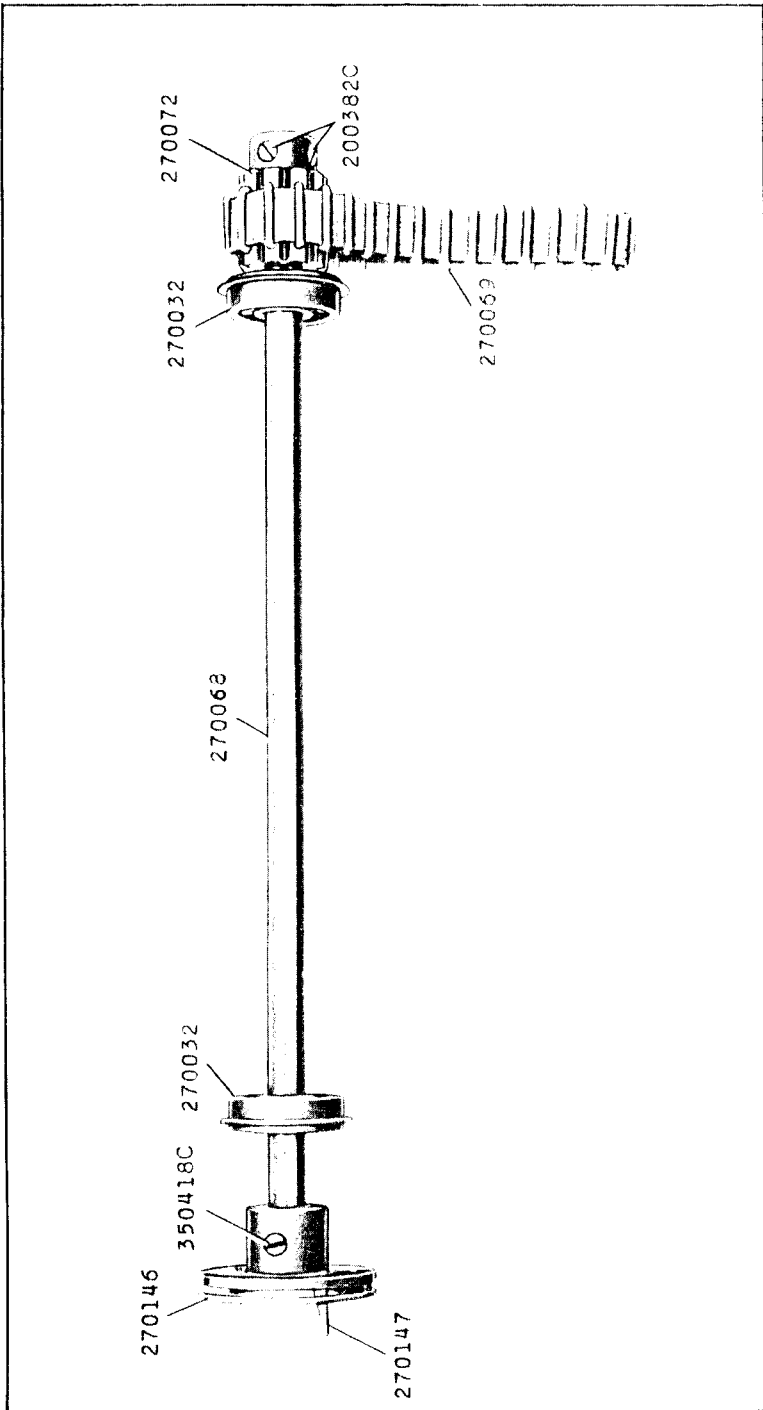
18291 - 3/8



18301 - 3/8



18302 - 1/2



Genuine Singer Needles should be used
in Singer Machines.
These Needles and their Containers
are marked with the
Company's Trade Mark "SIMANCO." 1

Needles in Containers marked
"For Singer Machines"
are not Singer made needles. 2