

SINGER
451K145

Form K6418
(Supersedes K6383)

ILLUSTRATED
LIST OF PARTS

FOR

SINGER**

Machine No. 451K145



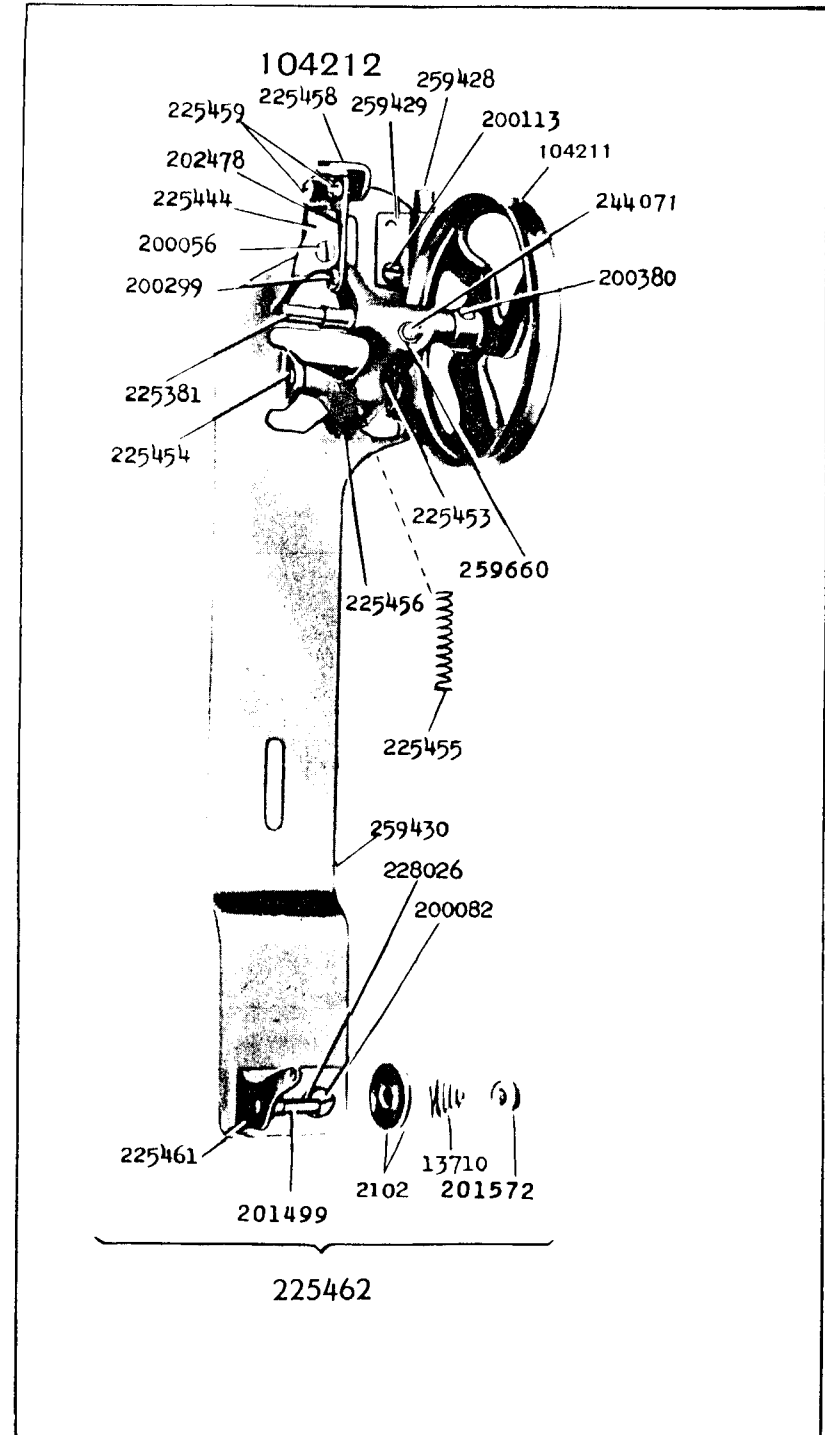
** A Trademark of THE SINGER MANUFACTURING COMPANY

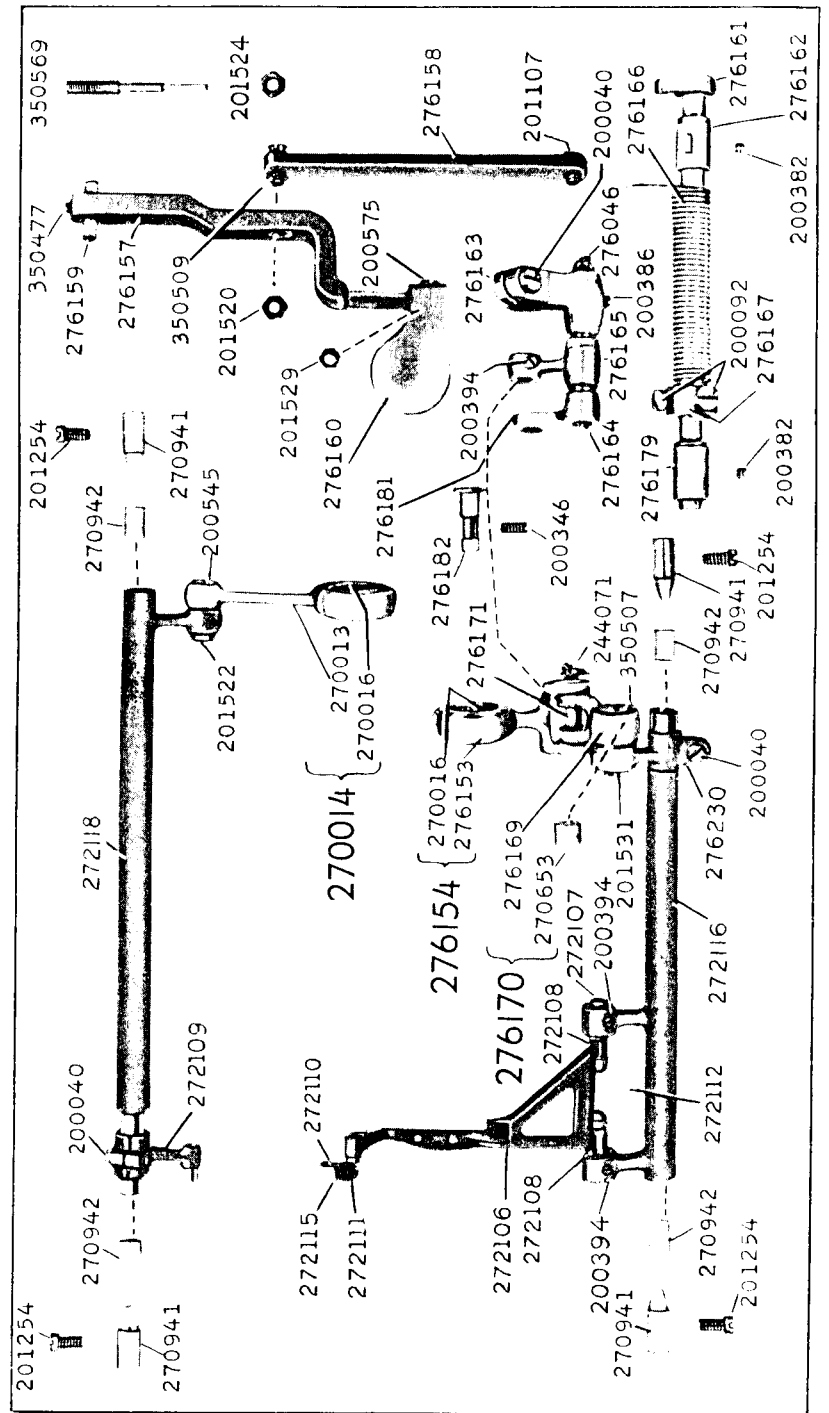
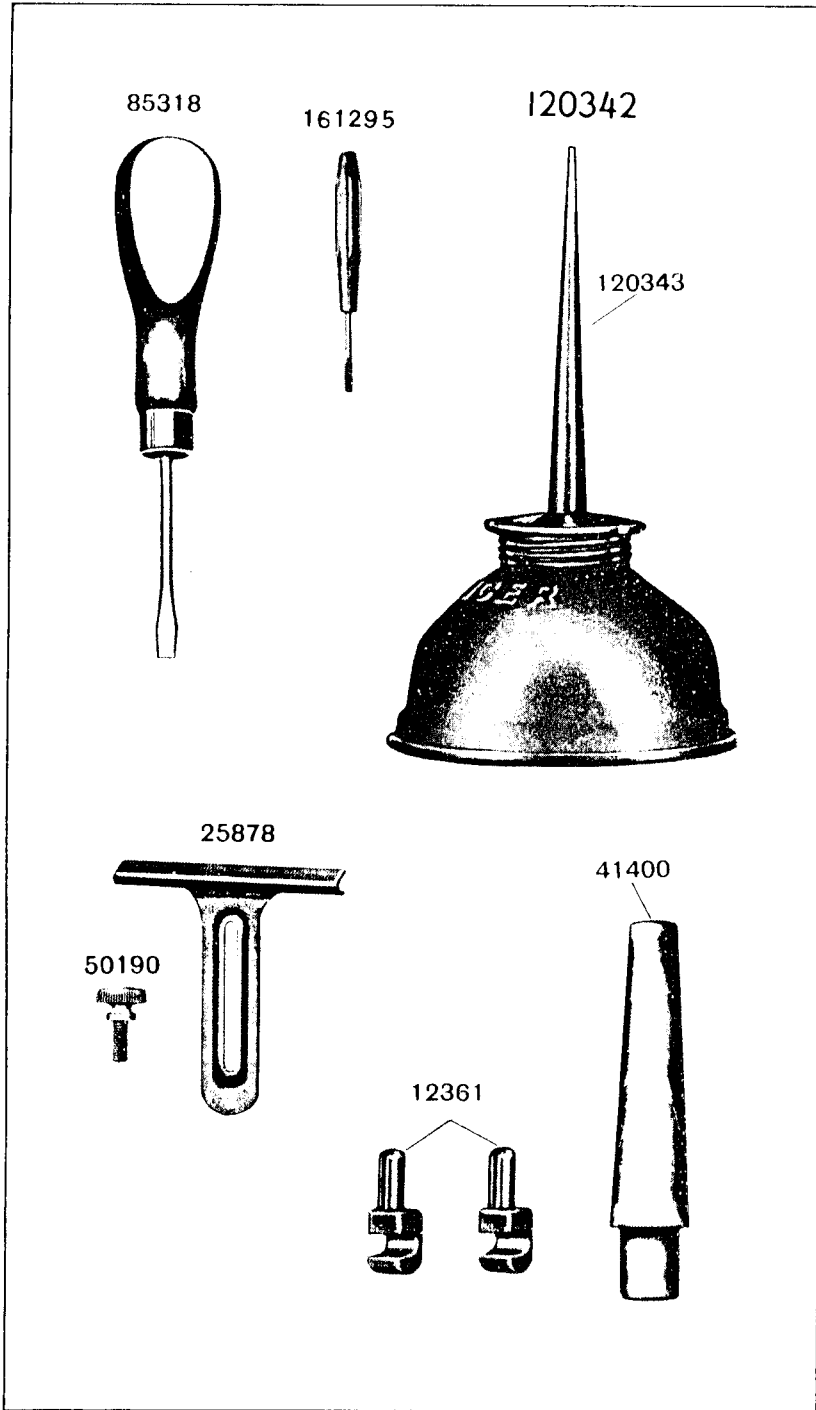
INSTRUCTIONS FOR OILING

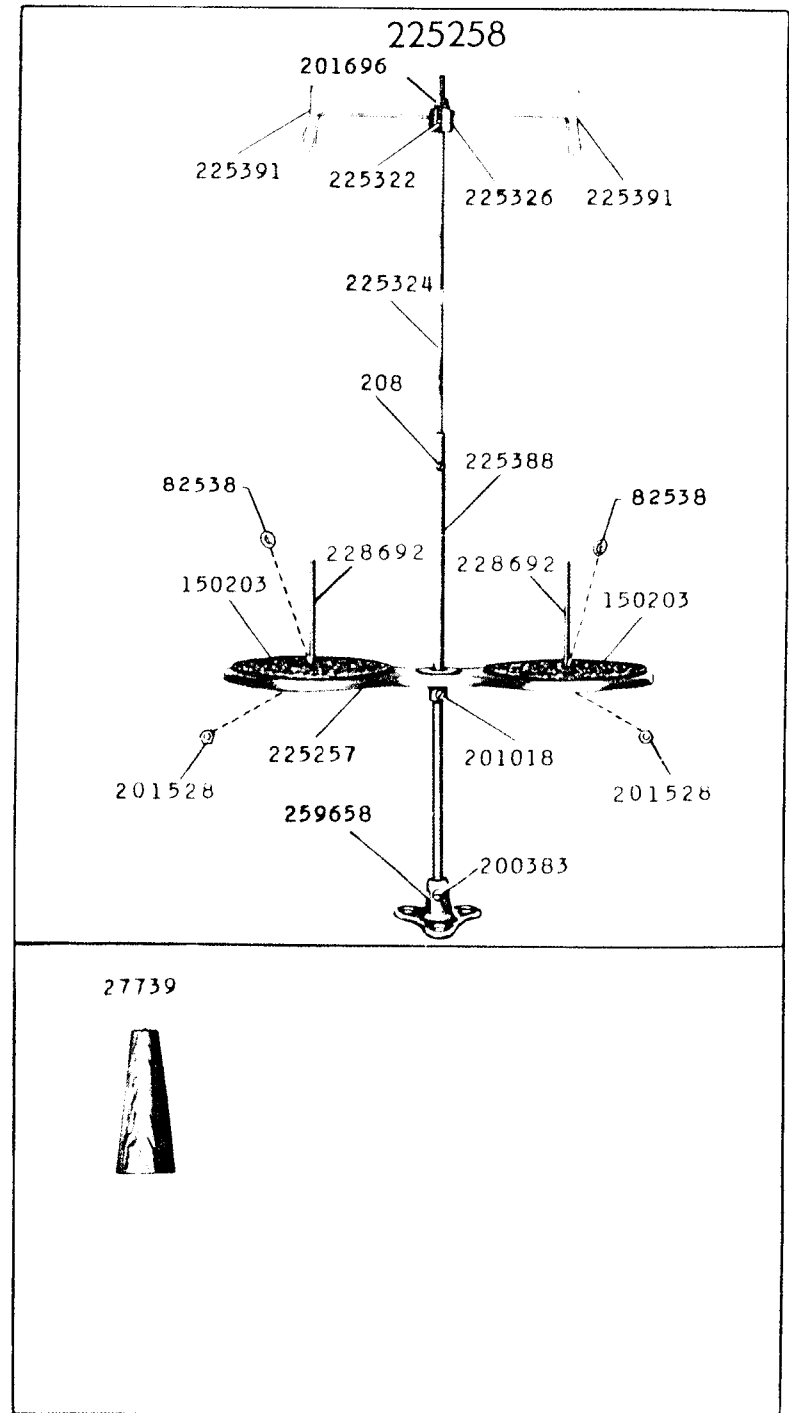
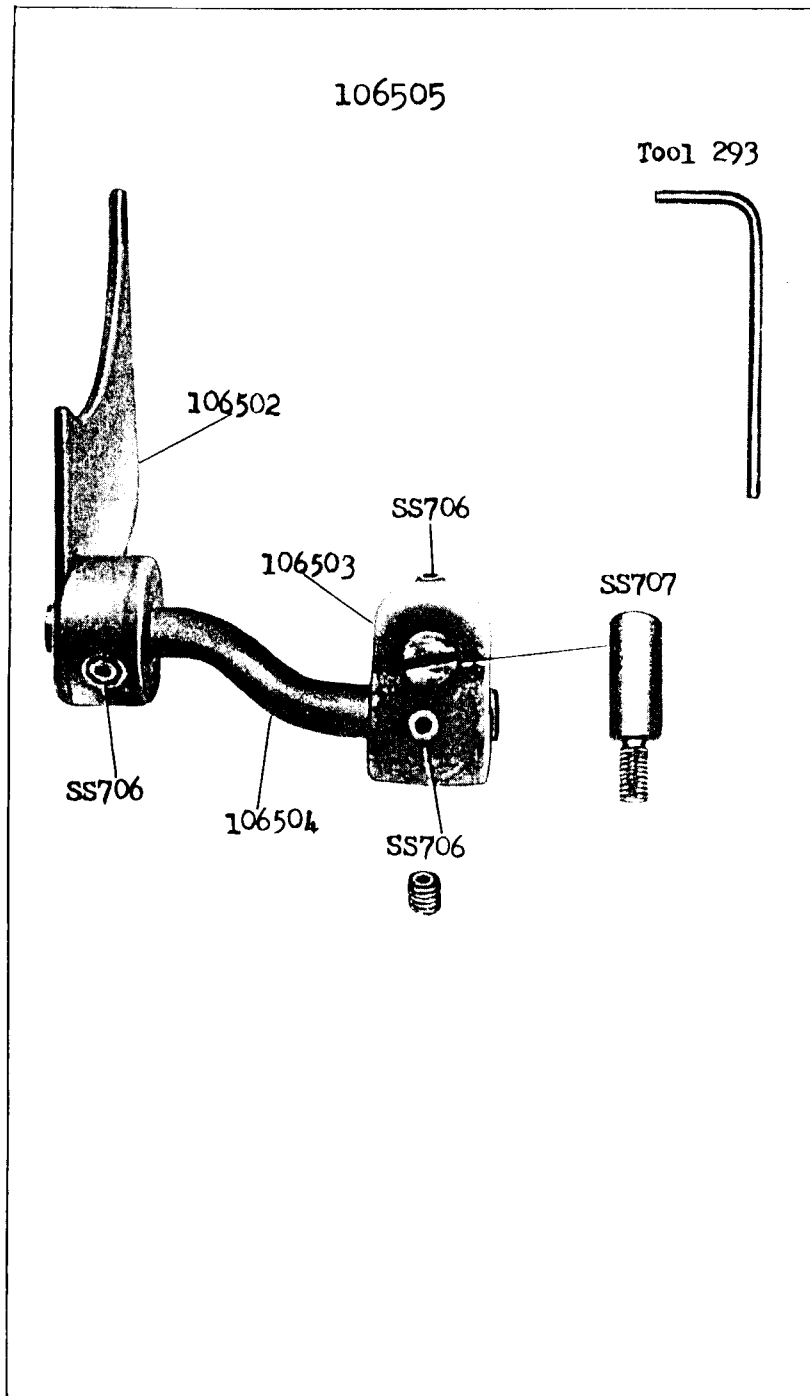
BEFORE STARTING THE MACHINE, fill reservoir in base to "high" mark. Inspect often enough to keep oil level from going below "low" mark in base.

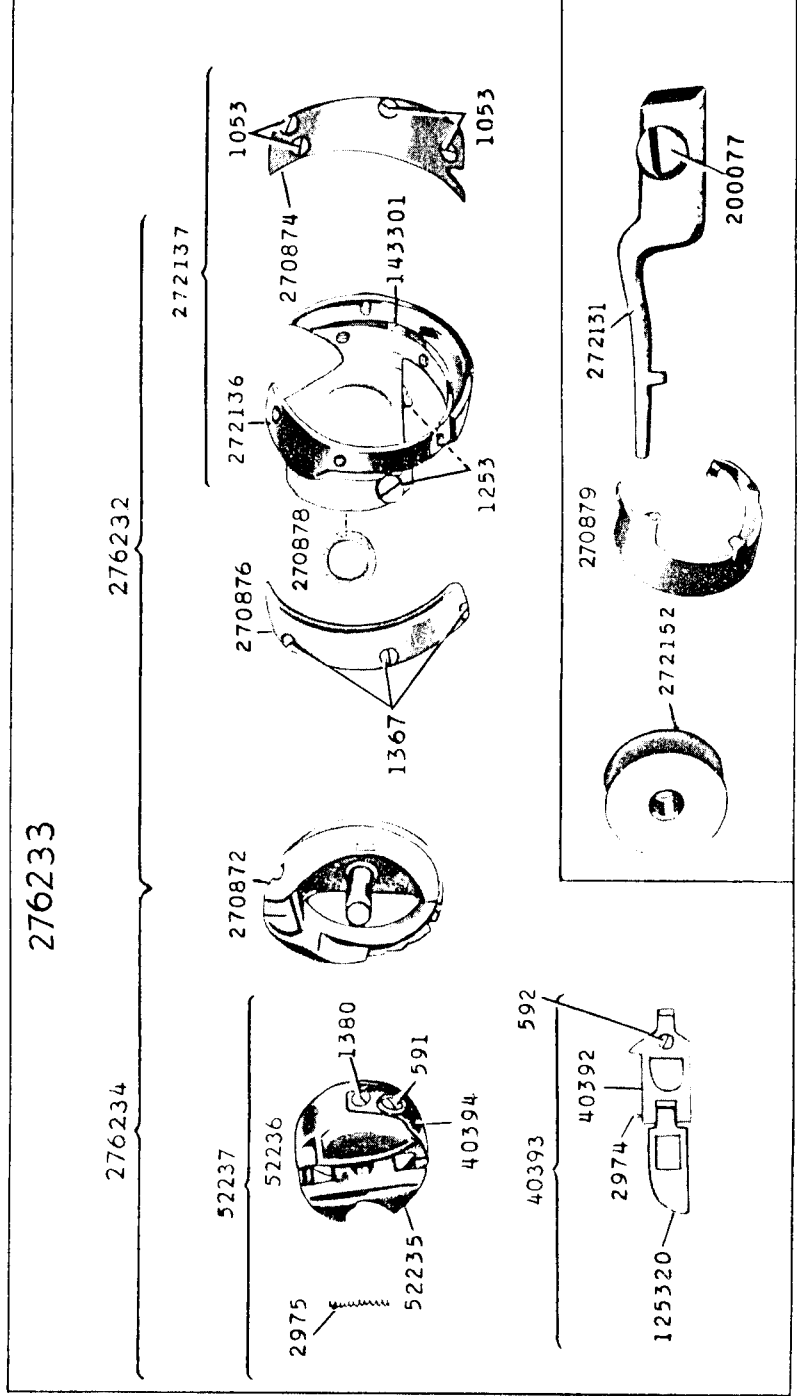
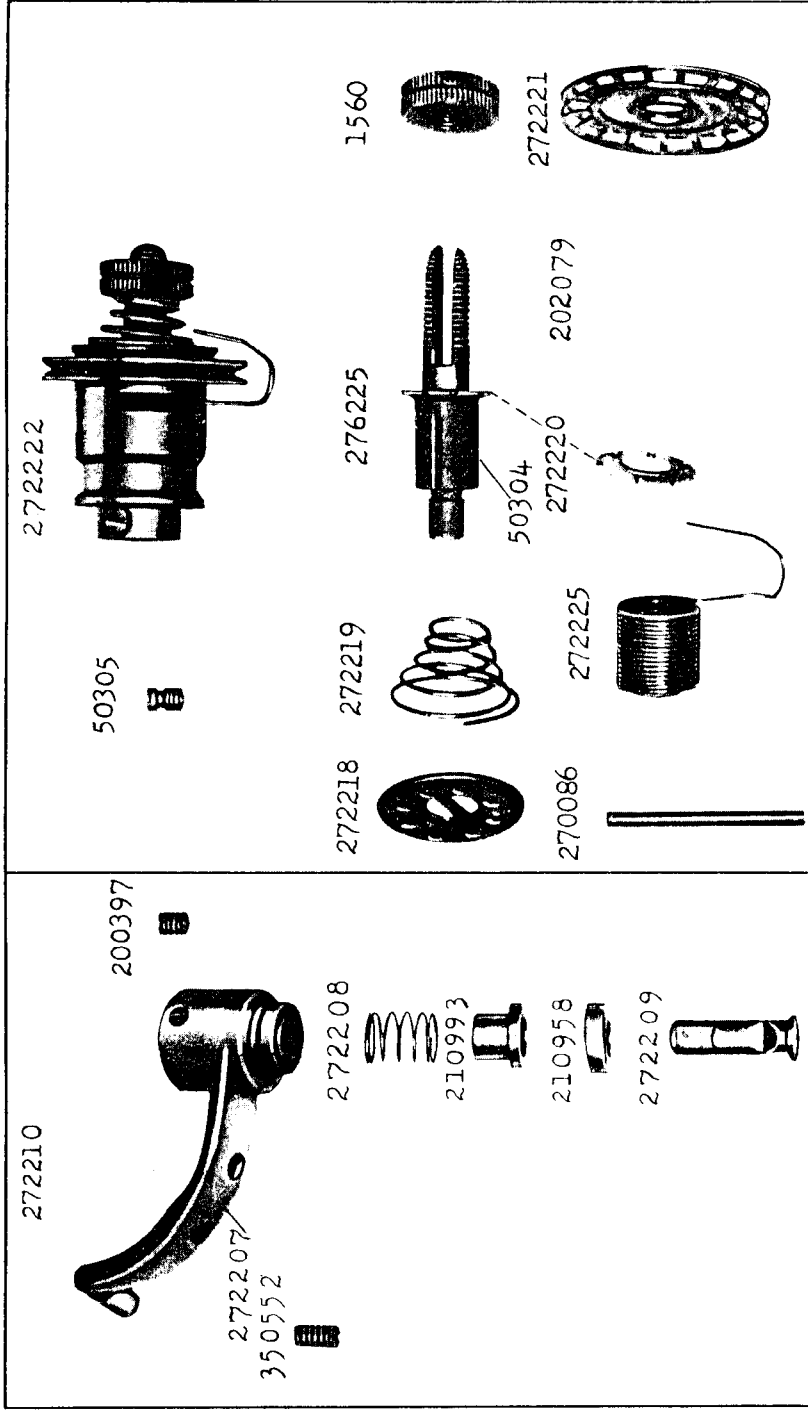
To ensure easy running and prevent unnecessary wear of the parts which are in movable contact, the machine requires oiling and when in continuous use, "TYPE A" or "TYPE C" OIL, sold only by Singer Sewing Machine Company, should be applied at the beginning of each working day to all oil holes marked "OIL."

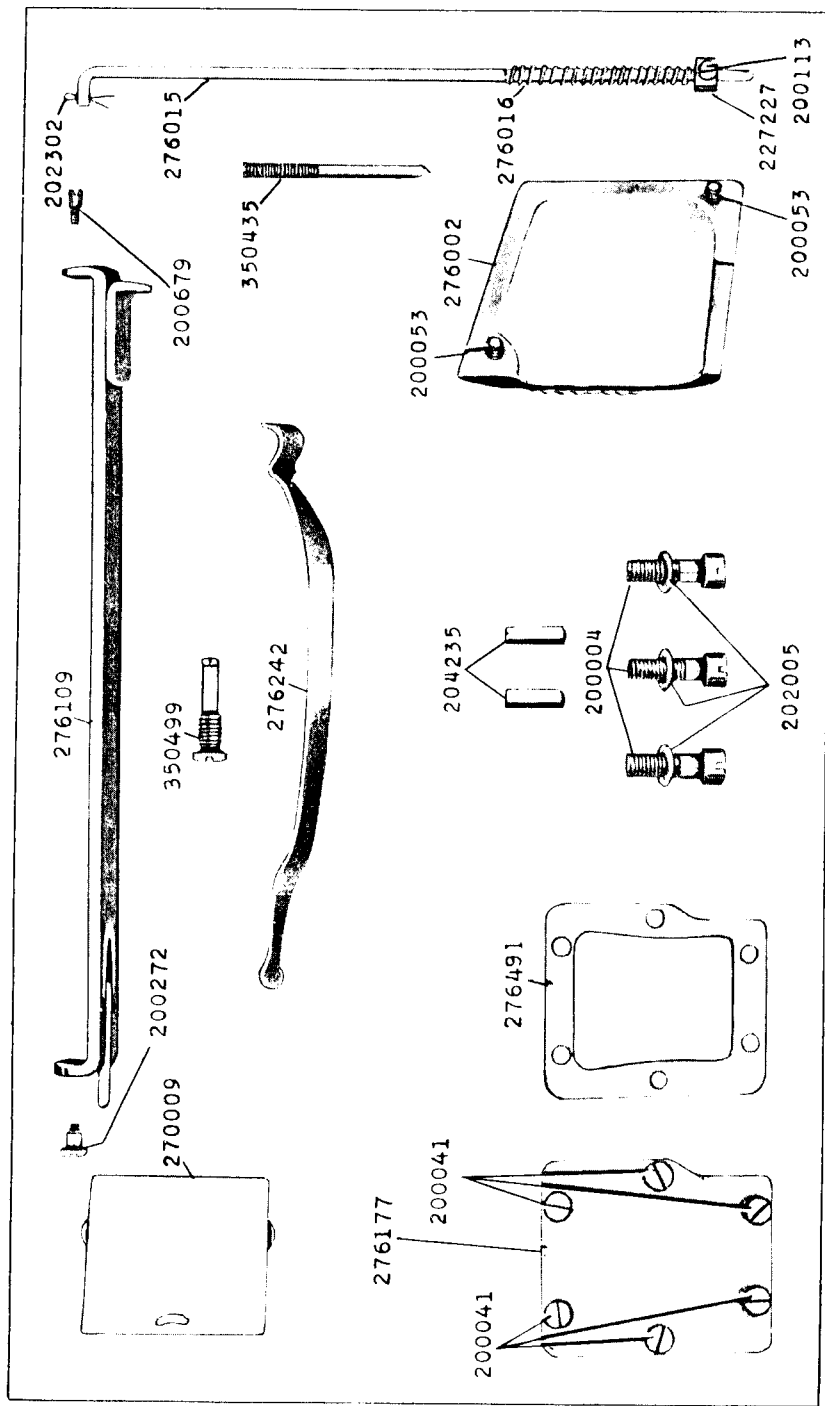
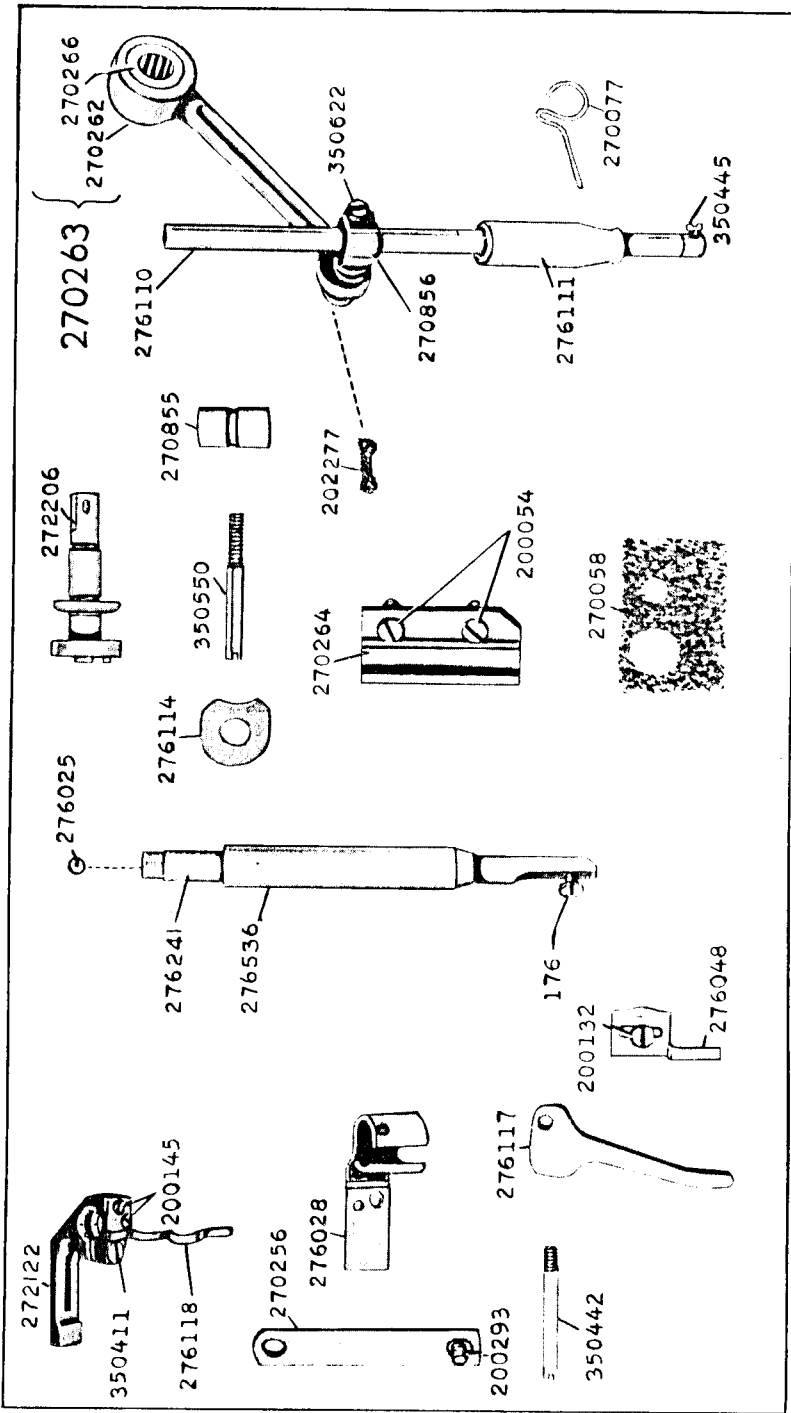
"TYPE C" OIL should be used when an oil is desired which will produce a minimum of stain on fabrics, even after a long period of storage.

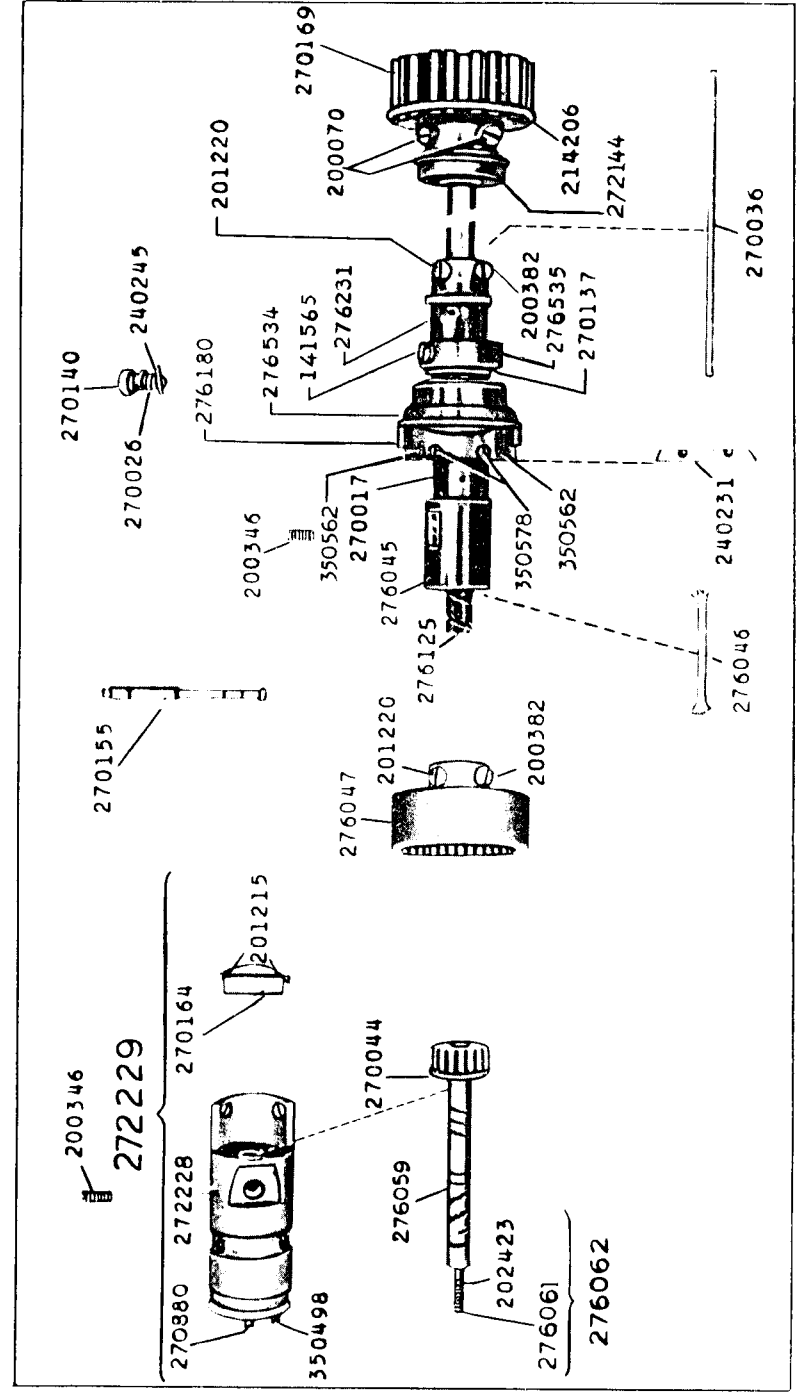
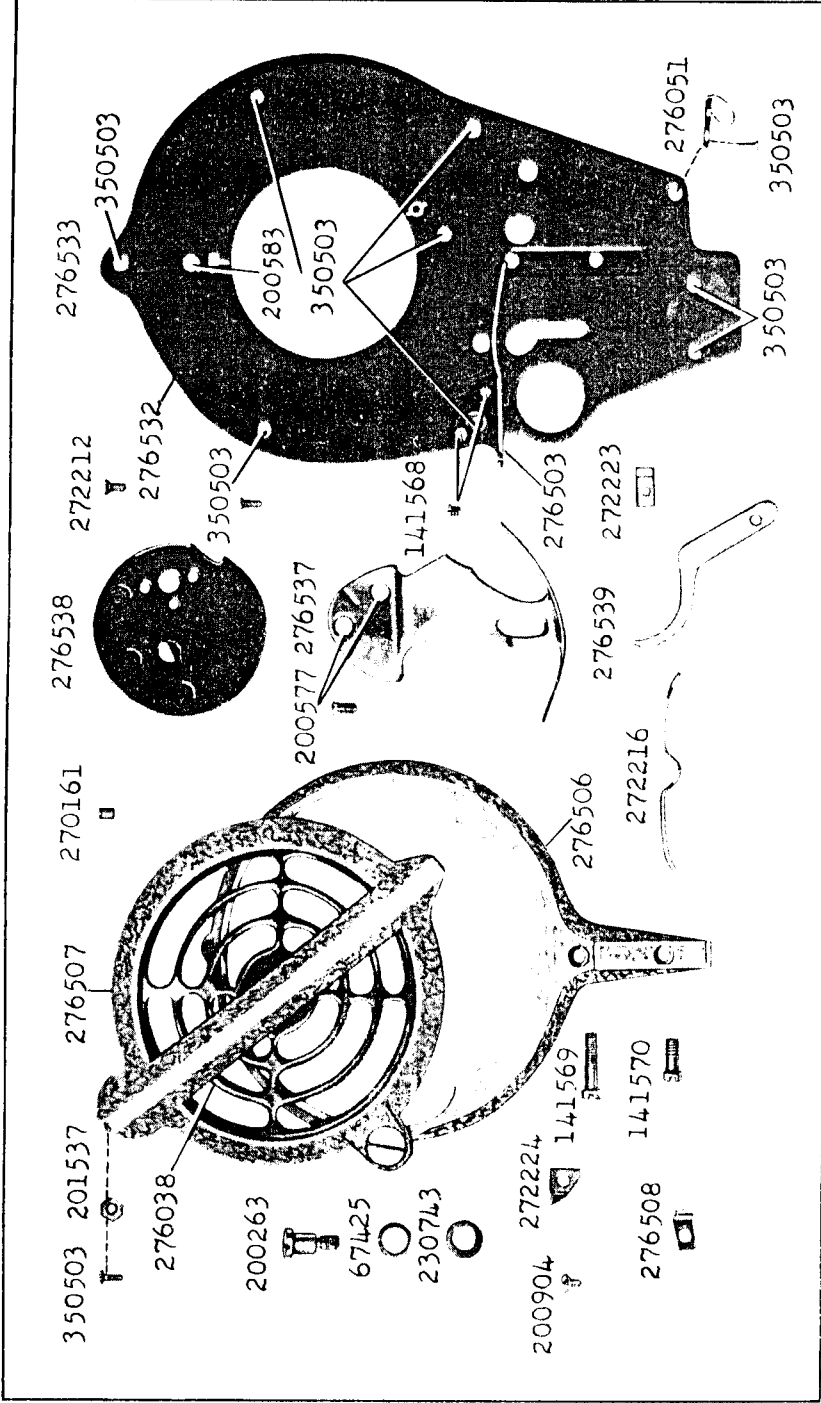


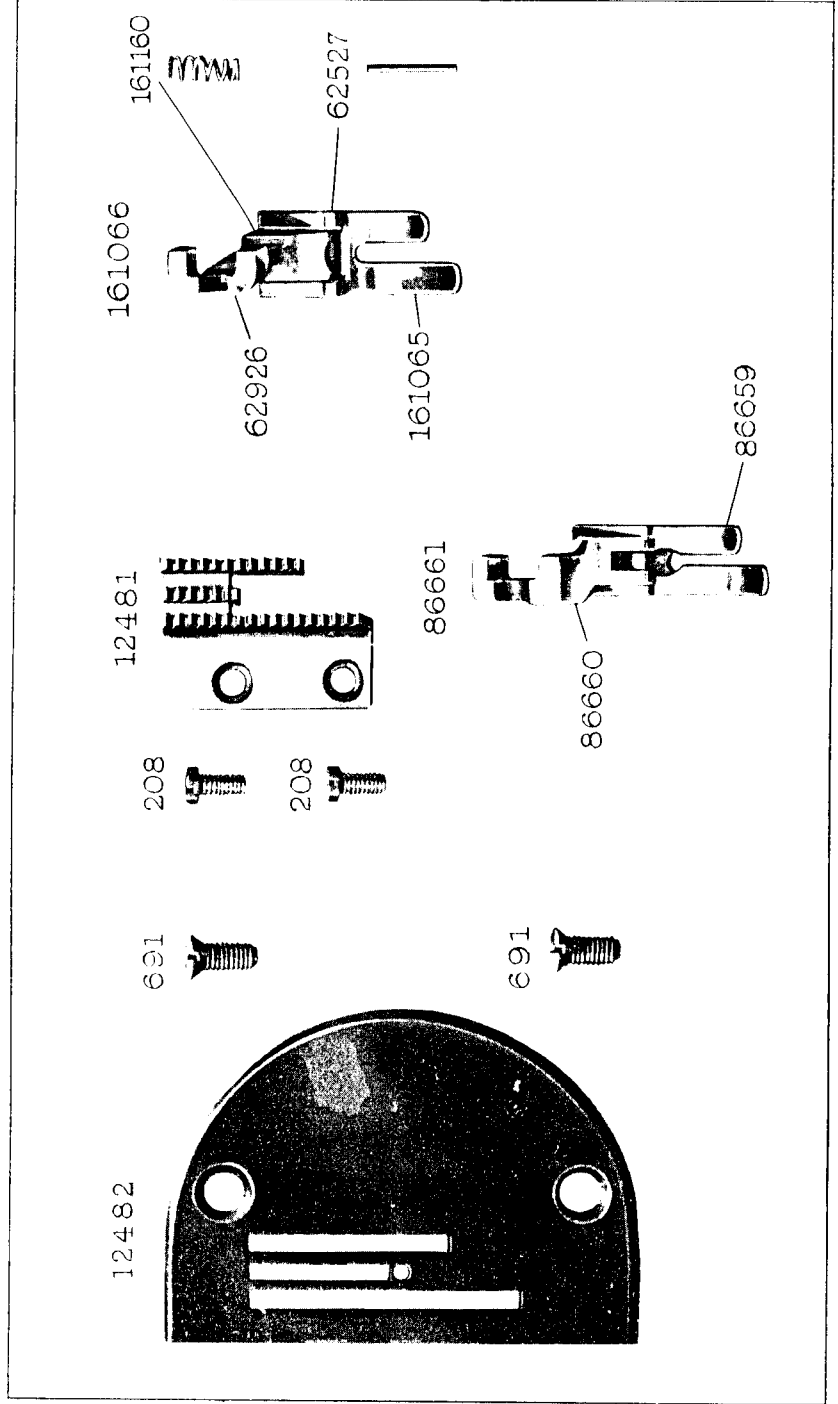
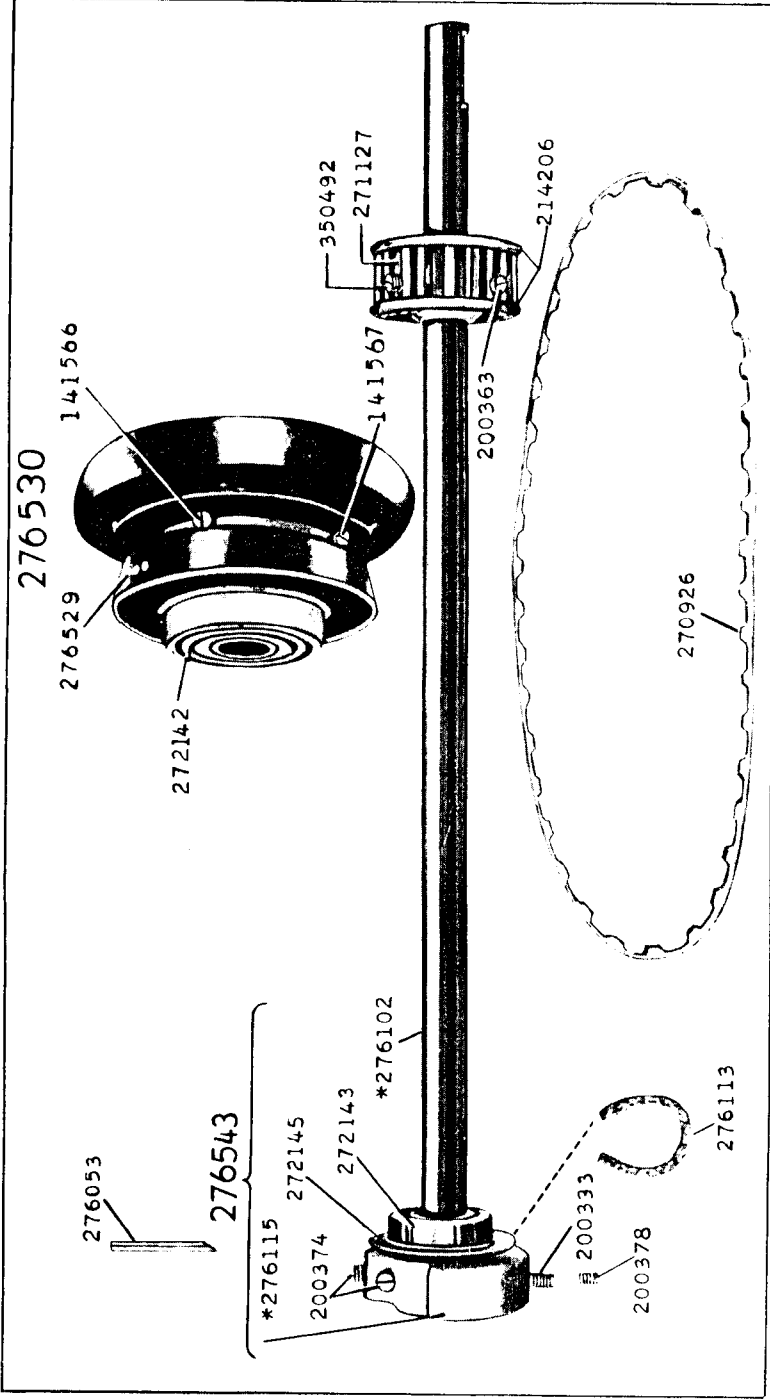


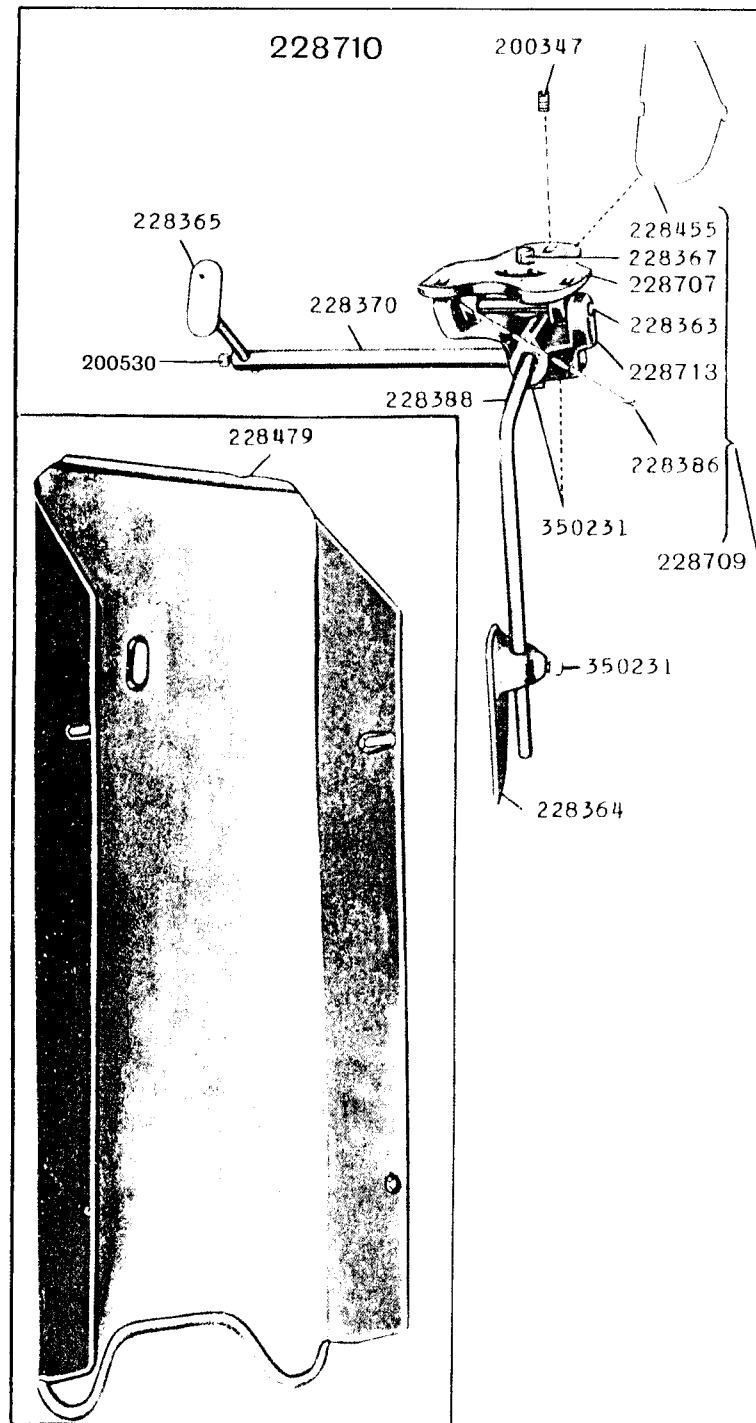












ILLUSTRATED
 LIST OF PARTS
 FOR
 MACHINE No. 451K145

INSTRUCTIONS FOR ORDERING

In ordering from this List, the code number with the part number **MUST BE** quoted exactly as they are shown in the first column.

A number always indicates the same part in whatever List it may appear, or for whatever machine.

The code numbers (where shown) indicate the style of finish, as follows:—

Code No.	Style of Finishes
801	Hardened, Polished, Nickel Plated and Buffed.
802	Polished, Nickel Plated and Buffed.
803	Hardened only.
804	Polished only.
805	Soft, not Polished.
806	Hardened and Polished.
807	Bright Rumbled and Nickel Plated.
808	Blued.
809	Nickel Plated only.
810	Hardened and Nickel Plated.
811	Brass Plated.
812	Oxidized.
813	Phosphate Coating Formed on Surface of Iron or Steel.
814	Cadmium Plated.
815	Copper Plated.
816	Zinc Plated.
817	Silver Plated.
818	Polished and Nickel Plated.
819	Black Oxide for Iron and Steel.
820	Black Nickel Plated only.
821	Chromium Plated.
822	Buffed and Chromium Plated.
823	Hardened, Polished, Buffed and Chromium Plated.
824	Hardened, Bright Rumbled and Nickel Plated.
825	Hardened, Bright Rumbled, Nickel Plated, Bright Rumbled and Chromium Plated.
826	Alumilite (Plain).
827	
828	Polished, Nickel Plated and Chromium Plated.
829	Hardened, Polished, Nickel Plated and Chromium Plated.
830	Heat Treated for Toughness.
831	Heat Treated for Toughness and Polished.
832	Heat Treated for Toughness and Nickel Plated.
833	Heat Treated for Toughness and Black Oxide.
834	Heat Treated for Toughness, Polished, Nickel Plated, Buffed and Chromium Plated.
835	
836	
837	
838	
839	Chrome Nickel, Satin Finish.
840	Hardened and Chrome Nickel, Satin Finish.
841	Hardened and Phosphate Coating Formed on Surface of Steel.
842	Hardened and Zinc Plated.
843	Hardened, Polished and Nickel Plated.
844	Hardened, Polished, Copper and Nickel Plated and Buffed.
845	Copper and Nickel Plated and Polished.
846	Copper and Nickel Plated only.
847	Hardened, Copper and Nickel Plated.
848	Copper and Brass Plated.

(Continued over)

INDEX

	Page
Accessories	29
Belt Guard	30
Bobbin Winder	29
Knee Lifter	31
Machine No. 451K145	21
Numerical List of Parts	35
Thread Unwinder... ..	31

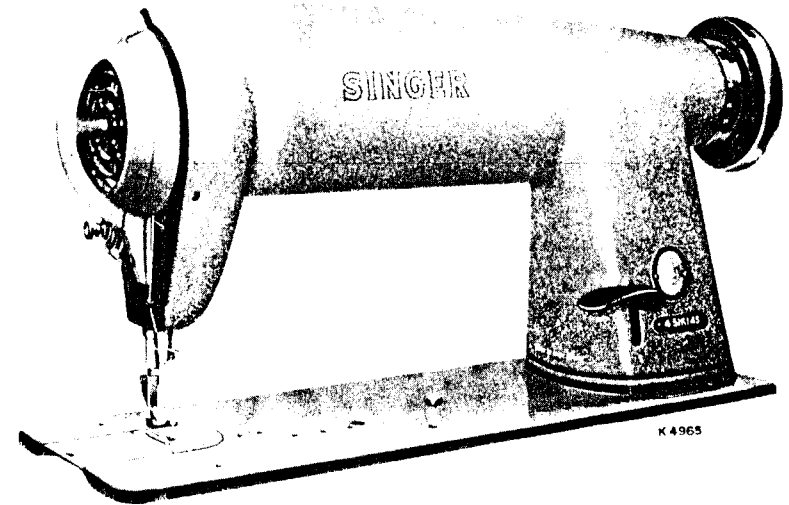
INSTRUCTIONS FOR ORDERING Continued.

Code No.	Style of Finishes.
849	Copper Plated and Oxidized.
850	Hardened and Black Oxide for Iron and Steel.
851	Hardened, Polished, Nickel Plated, Buffed and Chromium Plated.
852	Polished, Nickel Plated, Buffed and Chromium Plated.
853	Hardened and Chromium Plated.
854	Polished and Chromium Plated.
855	Bright Rumbled, Nickel Plated, Bright Rumbled and Chromium Plated.
856	Nickel and Chromium Plated.
857	Copper and Chromium Plated.
858	Heat Treated for Toughness, Nickel and Chromium Plated.
859	Heat Treated for Toughness, Copper Plated and Oxidized.
860	Nickel Plated and Buffed only.
861	Alumilite (dyed)—Black.
862	" (")—Light Almond Green.
863	" (")—Dark Brown.
864	" (")—Russet Brown.
865	" (")—Dark Green.
866	" (")—Medium Gold.
867	Nickel—Satin Finish.
868	Hardened and Nickel—Satin Finish.

Code No.	Paint Colours	Code No.	Paint Colours
701	Gloss Black.	734	Pale Red.
702	Dull Black.	735	Emerald Green.
703	Brown.	736	Green Metallic.
704	Grey Wrinkle.	737	Light Beige Satin Matte.
705	Beige Wrinkle.	738	Copper Tan.
706	Black Wrinkle.	739	Buff.
707	Light Green.	740	White.
708	Dark Green.	741	Dark Brown.
709	Dark Beige.	742	Plum.
710	Light Beige.	743	Birch Brown.
711	Oyster White.	744	Satin Black.
712		745	Gold-Buff.
713	Bright Cherry Red.	746	Blue-Grey.
714	Light Ivory.	747	Medium Gold.
715	Peacock Blue.	748	Sand.
716	Bright Yellow.	749	Khaki.
717	Slate Grey.	750	Flame Red.
718	Deep Brown.	751	Brite Green.
719		752	Sage Green.
720	Dark Brown.	753	Mist Green.
721	Aluminium.	754	Ice Green Metallic.
722	Dark Grey.	755	Dark Beige Metallic.
723	Light Grey Beige.	756	Shell Pink.
724	Rosewood Brown.	757	Surf Green.
725	Light Bisque.	758	Colonial Rose.
726	Light Fawn.	759	Cream.
727		760	Oak Brown.
728	Grey Metallic.	761	Deep Fawn.
729	Russet Brown.	762	Medium Green.
730	Pale Green.	763	Light Green Metallic.
731	Light Almond Green.	764	Light Gold.
732	Dusty Bisque.	765	Persimmon.
733	Chocolate Brown.	766	Mahogany Brown

Parts marked with an asterisk (*) are furnished only when the repairs are made at Factory.

LIST OF PARTS COMPLETE FOR MACHINE No. 451K145



SINGLE ROTARY THREAD TAKE-UP
HAND OPERATED REVERSE FEED MECHANISM.
HIGH SPEED. LOCK STITCH.
SINGLE NEEDLE. LONG ARM.
FOR STITCHING LIGHT, MEDIUM AND MEDIUM HEAVY WEIGHT
FABRICS.

No.	Plate	Name
*276531	-	Arm
276002	3003	" Cover (back)
200053(S19)	3003	" " (") Screw (2)
204235	3003	" Position Pin (2)
200001(S05)	3003	" Screw (3)

No.	Plate	Name
202005	3003	Arm Screw Washer (3)
*276102	3006	" Shaft
276543	3006	" " 276102 with 200333(803), 200378(803), 272143, 272145, 276113 and 276115
272142	3006	" " Ball Bearing (back)
272143	3006	" " " " (front)
270926	3006	" " Connection Belt (reinforced neoprene)
271127	3006	" " " " Pulley with 200263(830), 350492(803) and two 214206
350492(803)	3006	Arm Shaft Connection Belt Pulley Position Screw
200363(830)	3006	" " " " " " Set Screw
214206	3006	" " " " " " Spring Flange
*276152	-	Bed
270009	3003	" Slide
276532	3004	Face Plate
276533	3004	" " 276532 with 276503 and two 141568(819)
350503(819)	3004	" " Screw (7)
276503	3004	" " Tension Guard
141568(819)	3004	" " " " Screw
272106	2777	Feed Bar
272107	2777	" " Hinge Pin
272112	2777	" " " " Lubricating Belt
200394(803)	2777	" " " " Set Screw
272408	2777	" " " " Thrust Washer (2)
272109	2777	" " Lifting Crank with 200040(805)
200040(805)	2777	" " " " Pinch Screw
272110	2777	" " " " Link
200169(803)	"	" " " " Cap Screw (2)
272115	2777	" " " " Oiling Wick
272111	2777	" " " " " " Clamp
149366	-	" Dog, 16 teeth (16 teeth to the inch for 270326
12481	3007	" " 18 " (16 " " " " " " 12482
<i>NOTE. No. 149366 is sent with this machine unless otherwise specified on order.</i>		
208(830)	3007	Feed Dog Screw (2)
276153	2777	" Driving Connection
276154	2777	" " " 276153 with 270016 (for agents only)
276230	2777	" " " Crank with 200040(805)
350507(803)	2777	" " " " Hinge Screw
201531(805)	2777	" " " " " " Nut
200040(805)	2777	" " " " " Pinch Screw
276169	2777	" " " " Link
276170	2777	" " " " 276169 with 270653 (for agents only)

No.	Plate	Name
276171	2777	Feed Driving Connection Link Hinge Pin with 244071
244071	2777	" " " " " " Oil Packing (wick)
200394(803)	2777	" " " " " " Set Screw
270653	2777	" " " " " Needle Bearing
270016	2777	" " " " " Needle Bearing
270017	3005	" " " Eccentric
276534	3005	" " " " Adjusting Disc
270137	3005	" " " " " Spring
276535	3005	" " " " " Collar with 141565(833)
141565(833)	3005	" " " " " " Collar Set Screw
240231	3005	" " " " Friction Grib
350578(850)	3005	" " " " " Adjusting Screw
350562(850)	3005	" " " " " " " " Set Screw
276180	3005	" " " Flange with 200333(803), 200346(803), two each 350562(850) and 350578(850)
200333(803)	"	" " " " Position Screw
200346(803)	3005	" " " " " Set Screw
272116	2777	" " " Rock Shaft with two each 200394(803) and 270942
270941	2777	" " " " " Centre (2)
201254(830)	2777	" " " " " " Set Screw (2)
270942	2777	" " " " " " Insert (nylon)
270013	2777	" " Lifting Connection
270014	2777	" " " " 270013 with 270016
200543(803)	2777	" " " " " Hinge Screw
201522(805)	2777	" " " " " " Nut
270016	2777	" " " " " Needle Bearing
276231	3005	" " " Eccentric with 200382(833) and 201220(833)
201220(833)	3005	" " " " " Position Screw
200382(833)	3005	" " " " " Set Screw
272118	2777	" " " Rock Shaft with two 270942
270941	2777	" " " " " Centre (2)
201254(830)	2777	" " " " " " Set Screw (2)
270942	2777	" " " " " " Insert (nylon)
270140	3005	" Regulating Stud
240245	3005	" " " " Retaining Spring
270026	3005	" " " " " Spring
276157	2777	" Reversing Lever with 350477(803)
276158	2777	" " " " Connection
201107(803)	2777	" " " " " Hinge Screw (lower)
350509(803)	2777	" " " " " " (upper)
201520(819)	2777	" " " " " " (") Nut
276160	2777	" " " " " Handle

No.	Plate	Name	No.	Plate	Name
200575(819)	2777	Feed Reversing Lever Handle Screw ...	276110	3002	Needle Bar with 350445 (806) ...
201529(819)	2777	" " " " Nut ...	276111	3002	" " Bushing (lower) ...
276159	2777	" " " " Hinge Pin ...	270855	3002	" " " " (upper) ...
350477(803)	2777	" " " " Set Screw ...	350550(830)	3002	" " " " (") Set Screw ...
350569	2777	" " " " Stop Pin ...	270262	3002	" " " " Connecting Link ...
201524(819)	2777	" " " " Nut ...	270263	3002	" " " " 270262 with 270266 ...
276181	2777	" " " " Mechanism Support Link ...	270264	3002	" " " " Guide Block ...
276182	2777	" " " " Stud ...	200054(805)	3002	" " " " " " " " Screw (2) ...
200346(803)	2777	" " " " " " " " Set Screw ...	272206	3002	" " " " " " Hinge Stud with 270161 ...
276161	2777	" " " " Shaft ...	276113	3006	" " " " " " " " Oiling Felt ...
276162	2777	" " " " Bushing (back) ...	272145	3006	" " " " " " " " " " " " " " Flange
276179	2777	" " " " " " (front) ...	276053	3006	" " " " " " " " " " " " " " Oil
200382(830)	2777	" " " " " " Set Screw (2) ...	200374(830)	3006	" " " " " " " " " " " " " " Leader Tube
276163	2777	" " " " " " Crank with 200040(805) and 200386(803) ...	270266	3002	" " " " " " " " " " " " " " Set Screw ...
276164	2777	" " " " " " " " Hinge Stud with 276046 ...	276114	3002	" " " " " " " " " " " " " " Needle Bearing ...
276046	2777	" " " " " " " " " " Oil Packing (wick) ...	270856	3002	" " " " " " " " " " " " " " Thrust Washer ...
200386(803)	2777	" " " " " " " " " " Set Screw ...	202277	3002	" " " " " " " " " " " " " " Stud with 202277 and 350622(833) ...
276165	2777	" " " " " " " " Link with 200394(803) ...	350622(833)	3002	" " " " " " " " " " " " " " Oil Packing (wick) ...
200040(805)	2777	" " " " " " " " Pinch Screw ...	*276115	3006	" " " " " " " " " " " " " " Pinch Screw ...
276166	2777	" " " " " " " " Spring ...	200323(803)	3006	" " " " " " " " " " " " " " Crank with two 200374(830) ...
276167	2777	" " " " " " " " Adjusting Collar with 200092(806) ...	200378(803)	3006	" " " " " " " " " " " " " " Position Screw ...
200092(806)	2777	" " " " " " " " " " Set Screw ...	270058	3002	" " " " " " " " " " " " " " Check Screw ...
270256	3002	Knee Lifter Lifting Link ...	350445(806)	3002	" " " " " " " " " " " " " " Oiling Felt ...
200293(830)	3002	" " " " " " " " Hinge Screw ...	276244	3002	" " " " " " " " " " " " " " Set Screw ...
276015	3003	" " " " " " " " Rod with 202302 ...	276025	3002	" " " " " " " " " " " " " " Needle Bearing ...
202302	3003	" " " " " " " " Cotter Pin ...	276536	3002	" " " " " " " " " " " " " " Thrust Washer ...
276016	3003	" " " " " " " " Spring ...	276117	3002	" " " " " " " " " " " " " " Stud with 202277 and 350622(833) ...
227227	3003	" " " " " " " " " " Collar with 200113(806) ...	350442(803)	3002	" " " " " " " " " " " " " " Oil Packing (wick) ...
200113(806)	3003	" " " " " " " " " " " " " " Set Screw ...	276028	3002	" " " " " " " " " " " " " " Pinch Screw ...
276109	3003	" " " " " " " " " " Rock Frame ...	272122	3002	" " " " " " " " " " " " " " Crank with two 200374(830) ...
200679(806)	3003	" " " " " " " " " " Hinge Screw (back) ...	350411(803)	3002	" " " " " " " " " " " " " " Position Screw ...
200272(803)	3003	" " " " " " " " " " " " " " (front) ...	276242	3003	" " " " " " " " " " " " " " Check Screw ...
276529	3006	Machine Pulley (aluminium alloy casting) for "V" belt (outside diam. of belt groove 2.9 in.) (rim diam. 4 in.) with 141566(803) and 141567(803) ...	350435(803)	3003	" " " " " " " " " " " " " " Oiling Felt ...
276530	3006	Machine Pulley 276529 with 272142 ...	350499(850)	3003	" " " " " " " " " " " " " " Set Screw ...
141566(803)	3006	" " " " " " " " " " Position Screw ...	62527	3007	" " " " " " " " " " " " " " Foot Hinge Pin ...
141567(803)	3006	" " " " " " " " " " Set Screw ...	161065	3007	" " " " " " " " " " " " " " Plate ...
Catalogue 1969		Needle, size 16 (135 x 39 Y) ...	62926	3007	" " " " " " " " " " " " " " Shank ...
			161160	3007	" " " " " " " " " " " " " " Spring ...
			161066	3007	" " " " " " " " " " " " " " Presser Foot (spring, hinged), complete, Nos. 62527, 62926, 161065 and 161160 ...
			176(819)	3002	Presser Foot Screw ...

No.	Plate	Name	No.	Plate	Name
276110	3002	Needle Bar with 350445 (806) ...	276244	3002	Presser Bar with 176(819) ...
276111	3002	" " Bushing (lower) ...	276025	3002	" " " " Ball, $\frac{3}{2}$ in. diameter ...
270855	3002	" " " " (upper) ...	276536	3002	" " " " Bushing ...
350550(830)	3002	" " " " (") Set Screw ...	276117	3002	" " " " Lifter ...
270262	3002	" " " " Connecting Link ...	350442(803)	3002	" " " " " " Hinge Screw ...
270263	3002	" " " " 270262 with 270266 ...	276028	3002	" " " " Lifting Releasing Lever Bracket ...
270264	3002	" " " " Guide Block ...	272122	3002	" " " " Position Guide with 350411(803) ...
200054(805)	3002	" " " " " " " " Screw (2) ...	350411(803)	3002	" " " " " " Pinch Screw ...
272206	3002	" " " " " " Hinge Stud with 270161 ...	276242	3003	" " " " Spring ...
276113	3006	" " " " " " " " Oiling Felt ...	350435(803)	3003	" " " " Spring Screw (pressure regulating) ...
272145	3006	" " " " " " " " " " " " " " Flange	350499(850)	3003	" " " " " " Stud ...
276053	3006	" " " " " " " " " " " " " " Oil	62527	3007	" " " " " " Foot Hinge Pin ...
200374(830)	3006	" " " " " " " " " " " " " " Leader Tube	161065	3007	" " " " " " Plate ...
270266	3002	" " " " " " " " " " " " " " Set Screw ...	62926	3007	" " " " " " Shank ...
276114	3002	" " " " " " " " " " " " " " Needle Bearing ...	161160	3007	" " " " " " Spring ...
270856	3002	" " " " " " " " " " " " " " Thrust Washer ...	161066	3007	" " " " " " Presser Foot (spring, hinged), complete, Nos. 62527, 62926, 161065 and 161160 ...
202277	3002	" " " " " " " " " " " " " " Stud with 202277 and 350622(833) ...			
350622(833)	3002	" " " " " " " " " " " " " " Oil Packing (wick) ...			
*276115	3006	" " " " " " " " " " " " " " Pinch Screw ...			
200323(803)	3006	" " " " " " " " " " " " " " Crank with two 200374(830) ...			
200378(803)	3006	" " " " " " " " " " " " " " Position Screw ...			
270058	3002	" " " " " " " " " " " " " " Check Screw ...			
350445(806)	3002	" " " " " " " " " " " " " " Oiling Felt ...			
276244	3002	" " " " " " " " " " " " " " Set Screw ...			
276025	3002	" " " " " " " " " " " " " " Needle Bearing ...			
276536	3002	" " " " " " " " " " " " " " Thrust Washer ...			
276117	3002	" " " " " " " " " " " " " " Stud with 202277 and 350622(833) ...			
350442(803)	3002	" " " " " " " " " " " " " " Oil Packing (wick) ...			
276028	3002	" " " " " " " " " " " " " " Pinch Screw ...			
272122	3002	" " " " " " " " " " " " " " Crank with two 200374(830) ...			
350411(803)	3002	" " " " " " " " " " " " " " Position Screw ...			
276242	3003	" " " " " " " " " " " " " " Check Screw ...			
350435(803)	3003	" " " " " " " " " " " " " " Oiling Felt ...			
350499(850)	3003	" " " " " " " " " " " " " " Set Screw ...			
62527	3007	" " " " " " " " " " " " " " Foot Hinge Pin ...			
161065	3007	" " " " " " " " " " " " " " Plate ...			
62926	3007	" " " " " " " " " " " " " " Shank ...			
161160	3007	" " " " " " " " " " " " " " Spring ...			
161066	3007	" " " " " " " " " " " " " " Presser Foot (spring, hinged), complete, Nos. 62527, 62926, 161065 and 161160 ...			
176(819)	3002	Presser Foot Screw ...			

No.	Plate	Name
272207	2995	Pre Tension Bracket with 200397(819)
272210	2995	" " complete, Nos. 210958, 210993 and 272207 to 272209
350558(819)		" " Screw
210993	2995	" Sleeve
272208	2995	" Spring
272209	2995	" Stud
210958	2995	" " Collar
200397(819)	2995	" " " Set Screw
276537	3001	Rotary Take up
272212	3001	" " Counterbalance Rivet
276506	3001	" " Guard
276507	3001	" " " Cover
276038	3001	" " " Grill
200161(819)		" " " " " Screw
200263(850)	3001	" " " " " Hinge Screw
67425	3001	" " " " " " Spring Washer
230743(803)	3001	" " " " " " Thrust Washer
276508	3001	" " " " " " Spring Catch
350503(819)	3001	" " " " " " " Screw
201537(805)	3001	" " " " " " " Nut
141569(819)	3001	" " " " " " " Screw (long)
141570(819)	3001	" " " " " " " (short)
272216	3001	" " " " " " Thread Shield
276538	3001	" " " " " " Mounting Disc with three 272212
270161	3001	" " " " " " " Position Pin
200577(830)	3001	" " " " " " " Screw (2)
272136	3001	Rotating Hook with 143301, 270878 and two 1253(830)
272137	3001	" " " " 272136 with 270871(806) and four 1053(805)
276232	3001	" " " " 272137 with 270872, 270876 and three 1367(805)
276233	3001	" " " " 276232 with 52237
272152	3001	" " " " " Bobbin (aluminium)
52235	3001	" " " " " Case
52236	3001	" " " " " " 52235 with 591(806), 1380(805) and 40391
40393	3001	" " " " " " Hinge, Nos. 2974, 40392 and 125320
270872	3001	" " " " " " Holder (chromium plated)
272131	3001	" " " " " " " Position Bracket
200077(804)	3001	" " " " " " " " " Screw

No.	Plate	Name
10392	3001	Rotating Hook Bobbin Case Latch
125320	3001	" " " " " " Lever
2974	3001	" " " " " " " Fulcrum Pin
2975	3001	" " " " " " " Spring
592(805)	3001	" " " " " " " Stop Screw
40394	3001	" " " " " " " Tension Spring
591(806)	3001	" " " " " " " " " Regulating Screw
1380(805)	3001	" " " " " " " " " " " Screw
52237	3001	" " " " " " " complete, Nos. 592(805), 2975, 40393 and 52236
276231	3001	Rotating Hook Bobbin Case 52237 with 270872 (for agents only)
276125	3005	" " " " " " Driving Shaft
272144	3005	" " " " " " " Ball Bearing
276045	3005	" " " " " " " Pushing with 276046
276046	2005	" " " " " " " " Oil Packing (wick)
200346(803)	3005	" " " " " " " " " Set Screw
270169	3005	" " " " " " " " " Connection Belt Pulley with 214206 and two 200070(803)
200970(803)	3005	Rotating Hook Driving Shaft Connection Belt Pulley Set Screw
214206	3005	" " " " " " " " " " " Spring Flange
276047	3005	" " " " " " " " " Gear (internal teeth) with 200382(833) and 201220(833)
201220(833)	3005	Rotating Hook Driving Shaft Gear Position Screw
200382(833)	3005	" " " " " " " " " Set Screw
279036	3005	" " " " " " " " " Oil Lead Wire
270879	3001	" " " " " " " " " Oil Guard
276177	3003	" " " " " " " " " Reservoir Cover
276491	3003	" " " " " " " " " Gasket
200041(819)	3003	" " " " " " " " " " " Screw (6)
272151		" " " " " " " " " " " Washer (fibre) (6)
270878	3001	" " " " " " " " " Retaining Washer (felt)
143301	3001	" " " " " " " " " Wick (felt)
270876	3001	" " " " " " " " " Section
1367(805)	3001	" " " " " " " " " " " Screw
1253(830)	3001	" " " " " " " " " " " Set Screw
276059	3005	" " " " " " " " " " " Shaft
272228	3005	" " " " " " " " " " " Bushing
270880	3005	" " " " " " " " " " " Oil Packing (wick)
200346(803)	3005	" " " " " " " " " " " Set Screw
270164	3005	" " " " " " " " " " " End Bearing
201215(804)	3005	" " " " " " " " " " " " " Screw

No.	Plate	Name
202423	3005	Rotating Hook Shaft Oil Filter Wick
276061	3005	" " " " " " Holder
276062	3005	" " " " " " complete, Nos. 202423 and 276061
350498(805)	3005	" " " " Regulating Screw
270044	3005	" " " Thrust Washer
272239	3005	" " " Bushing, complete, Nos. 270044, 270164, 270880, 272228, 276059, 276062, 350498(805) and two 201215(804)
270874(806)	3001	Rotating Hook Thread Guard
1053(805)	3001	" " " " Screw
276018	3002	Tension Releaser (adjustable)
200132(805)	3002	" " " Screw
272218	2995	" Releasing Disc
270086	2995	" " Pin
272219	2995	" Spring
50304(806)	2995	" Stud
276225	2995	" " 50304(806) with 272220
50305(803)	2995	" " Set Screw
1560(803)	2995	" Thumb Nut
272220	2995	" Washer
272221	2995	" Wheel (Rotary)
202079	2995	" " Washer
272222	2995	" (Rotary) complete, Nos. 1560(803), 52083, 270086, 272218, 272219, 272221, 272225, 276225 and two 202079
276539	3004	Tension (Rotary) Threading Guide
350503(819)	3004	" (") " " Screw
272223	3004	Thread Cutter (on Face Plate)
200583(819)	3004	" " (" " ") Screw
272224	3004	" " (on Rotary Take-up Guard)
200904(819)	3004	" " (" " " ") Screw
276051	3004	" Guide
270077	3002	" " (on Needle Bar Bushing)
350503(819)	3004	" " Screw
276118	3002	" Pull-off
200145(830)	3002	" " Screw (2)
272225	2995	" Take-up Spring
52083	—	" " " Regulator with 50305(803)
453(833)	—	" " " " Set Screw
270326	—	Throat Plate (large needle hole) for 149366
12482	3007	" " (" " ") " 12481

NOTE: - No. 270326 is sent with this machine unless otherwise specified on order.

691(850)	3007	Throat Plate Screw (2)
228479	18333	Drip Pan with four $\frac{3}{4}$ " wire nails

ACCESSORIES

No.	Plate	Name
25878	2627	Cloth Guide
50190(819)	2627	" " Thumb Screw
272152	3001	Rotating Hook Bobbin (2)
270155	3005	" " Oil Reservoir Oil Gauge
161295	2627	Screw Driver (Bobbin Case)
Catalogue		
1969	—	Needles, six, size 16 (135 x 39 Y)
12361	2627	Machine Hinge Connection (2)
41406	2627	" Rest Pin (wood)
120342	2627	Oiler (copper plated) with 120343
120343	2627	" Spout (3 $\frac{1}{2}$ in. long)
85318	2627	Screw Driver
86698	—	Fin of Oil ($\frac{1}{2}$ pint)
240566	—	Wrench

PRESSER FOOT

(for General Work)

(only supplied when specified on order and at an extra charge)

No.	Plate	Name
86659	3007	Presser Foot Plate
86660	3007	" " Shank
86661	3007	Presser Foot (hinged), complete, Nos. 86659 and 86660

BOBBIN WINDER

(SWINGING AUTOMATIC, RIGHT HAND)

FOR "V" BELT DRIVE

No.	Plate	Name
259428	2624	Brake (leather)
259429	2624	" Clamp
200113(806)	2624	" " Screw
225453	2624	Frame with 244074 and 259660
225454	2624	" Hinge Pin
244071	2624	" Oil Packing (wick)
259660	2624	" " Well Washer
225455	2624	" Spring
225456	2624	" " Plunger
101211	2624	Pulley with 200380(803)
200380(803)	2624	" Set Screw
225381	2624	Spindle

No.	Plate	Name
225444	2624	Stop Latch
200056(805)	2624	" " Screw
225458	2624	" " Thumb Lever
225459	2624	" " " " Hinge Stud
225459	2624	" " " " Joint Stud
202478	2624	" " Trip Lever
200299(808)	2624	" " " " Hinge Screw
225461	2624	Tension Bracket with 201499(808)
200082(804)	2624	" " Screw
228026	2624	" " " " Washer
2102	2624	" Disc
13710	2624	" Spring
201499(808)	2624	" Stud
201572(808)	2624	" " Thumb Nut
225462	2624	Bobbin Winder Tension Bracket, complete, Nos. 13710, 201572(808), 225461 and two 2102
259430	2624	Bobbin Winder and Tension Bracket Base
104212	2624	Bobbin Winder (swinging automatic, right hand), complete, Nos. 104211, 200056(805), 200082(804), 201113(806), 200299(808), 202478, 225381, 225444, 225453 to 225456, 225458, 225462, 228026, 259428 to 259430, two each 225459 and wood screws $\frac{1}{4}$ " No. 12 R.H.B.

BELT GUARD

(only supplied when specified on order and at an extra charge).

No.	Plate	Name
106502	2778	Belt Guard with SS706(819)
106503	2778	" " Bracket with three SS706(819)
SS707	2778	" " " " Hinge Screw
SS706(819)	2778	" " " " Screw
SS706(819)	2778	" " " " Screw
Tool 293	2778	" " " " Key
106501	2778	" " Support
106505	2778	Belt Guard, complete, Nos. SS707 and 106502 to 106504

KNEE LIFTER

No.	Plate	Name
228713	18333	Rock Lever with two 350231(803)
228707	18333	" " Bracket with 200347(803) and three wood screws $\frac{7}{16}$ in. No. 12
228709	18333	Rock Lever Bracket 228707 with 228363, 228367, 228386, 228455 and 228713
228370	18333	Rock Lever Extension with 200530(803)
350231(803)	18333	" " " " Set Screw
228363	18333	" " " " Hinge Pin
228364	18333	" " " " Knee Plate with 350231(803)
228388	18333	" " " " " " Arm
350231(803)	18333	" " " " " " Set Screw
350231(803)	18333	" " " " " " Set Screw
228455	18333	" " " " Position Spring
228365	18333	" " " " Rod
200530(803)	18333	" " " " Set Screw
228386	18333	" " " " Spring
228367	18333	" " " " Stop Stud
200347(803)	18333	" " " " " " Set Screw
228710	18333	Knee Lifter Rock Lever, complete, Nos. 228364, 228365, 228370, 228388 and 228709

(Other Knee Lifter parts are listed with parts of Machine Head.)

THREAD UNWINDER

No.	Plate	Name
228692	2895	Spool Pin
201528(808)	2895	" " Nut
82538	2895	" " Washer
225257	2895	" Rest (for two spools) (flat) with 201018(803), two each 82538, 201528(808) and 228692
150203	2895	Spool Rest Cushion (felt)
225388	2895	" " " " Fed
200383(803)	2895	" " " " Set Screw
201018(803)	2895	" " " " Set Screw
259658	2895	" Stand with 200383(803)
225391	2895	Thread Guide
201696(808)	2895	" " Lock Nut
225326	2895	" " Position Cup
225324	2895	" " Rod with 208(830) and 225322
208(830)	2895	" " " " Screw
225322	2895	" " " " Washer

THREAD UNWINDER

No.	Plate	Name
225258	2895	Thread Unwinder (for two spools), complete, Nos. 201696(808), 225257, 225324, 225326, 225388, 259658, two each 150203, 225391 and three wood screws $\frac{7}{8}$ in. No. 12
27739	2895	Thread Cone (wood) (supplied only when specified on order and at an extra charge)

STRIP REEL

(Supplied only when specified on order and at an extra charge).

No.	Plate	Name
228463		Strip Reel Bracket with 200382(803) and 228466
228911		" " " Base
228912		Strip Reel Bracket Base 228911 with 855(803), 141578(803), 141579(803), 228913 and 228914
855(803)		Strip Reel Bracket Base Set Screw
228466		" " " Stud
200382(803)		" " " " Set Screw
226199		" " Disc (6" diam.) with 225980
228467		" " " Rod
228913		" " Expansion Stud (long)
141578(803)		" " " " (") Screw
228914		" " " " (short)
141579(803)		" " " " (") Screw
225980		" " Supporting Spindle Hub Base
26073		" " Tension Adjusting Collar with 51224(818)
51224(818)		" " " " Set Screw
13211		" " " Spring
228468		" Roll Adaptor ($\frac{1}{16}$ " wide, $\frac{31}{32}$ " diam.)
228469		" " " ($\frac{1}{8}$ " wide, $1\frac{1}{4}$ " diam.)
228915		Strip Reel (6" diam.) (Adjustable), complete, Nos. 13211, 26073, 228463, 228467 to 228469, 228912 and two 226199