

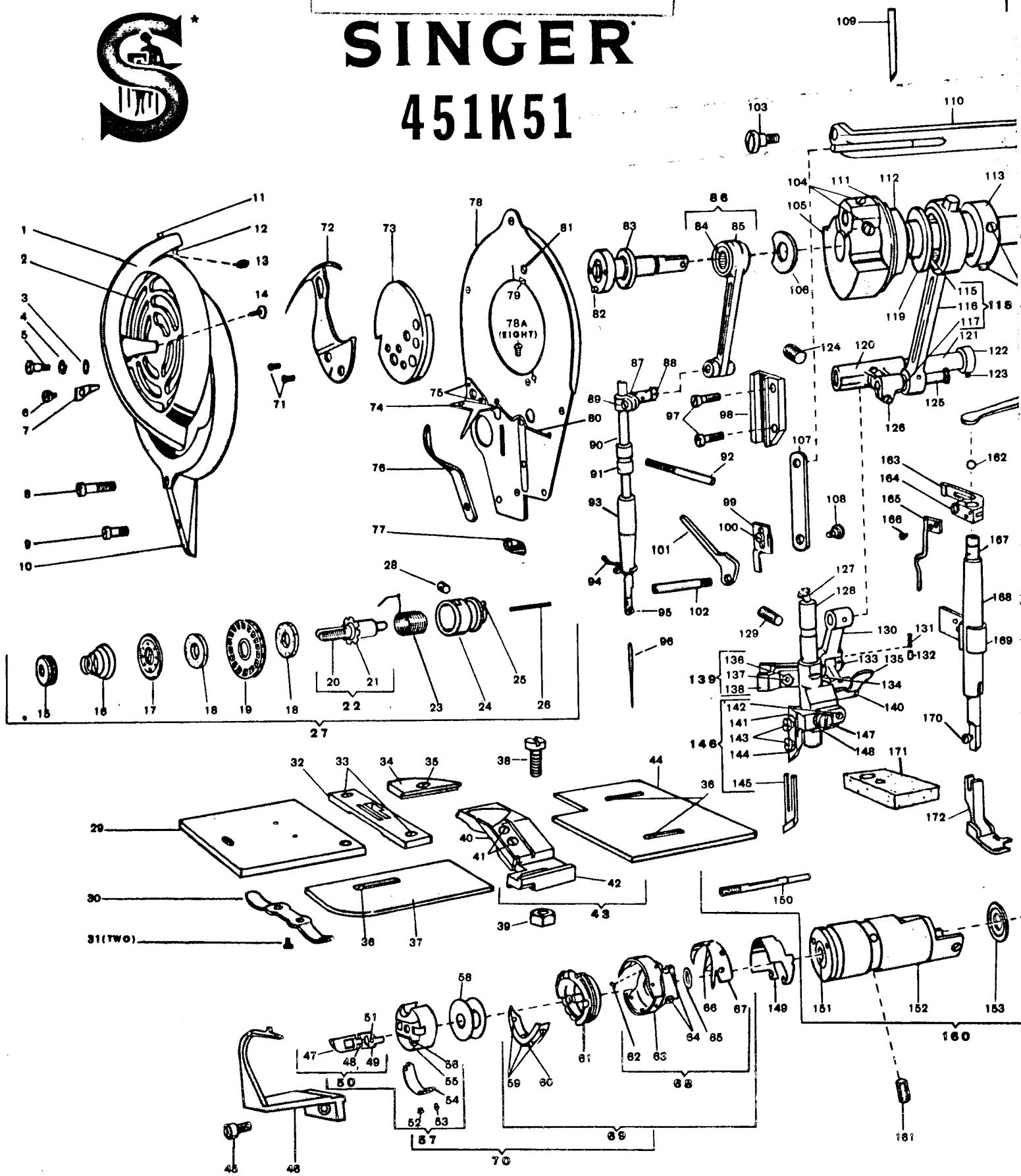
**SINGER**  
**451K51**

EXPLODED VIEW OF THE  
SECTION

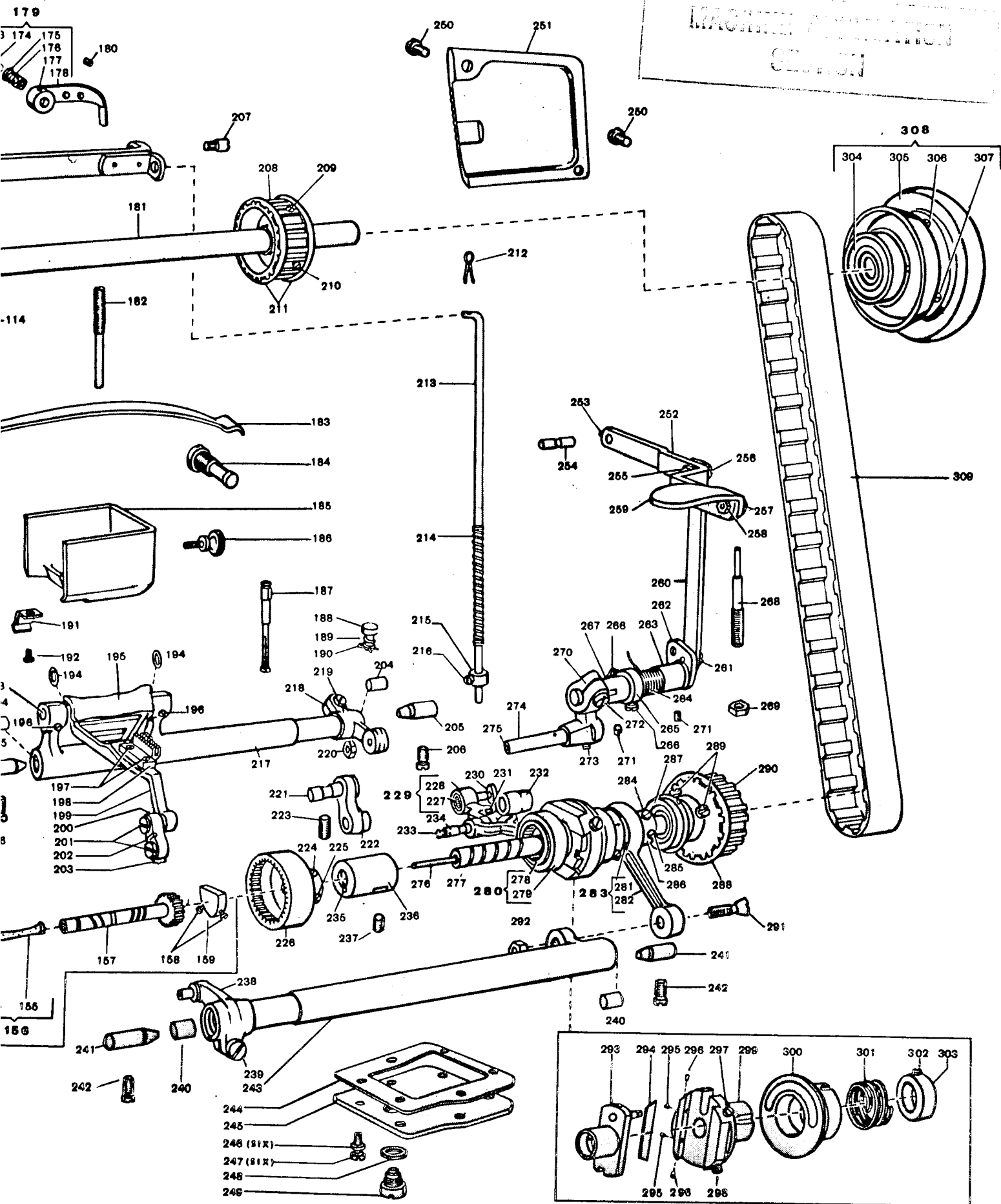


# SINGER

## 451K51



# MACHINE / EQUIPMENT SECTION



KINDLY REFER TO THE REVERSE SIDE OF THIS FORM FOR THE APPLICABLE PART NUMBERS.

MACHINE SECTION

LIST OF PARTS FOR  
451K51 MACHINE

Code No.	Part No.	Description.	Code No.	Part No.	Description.
1	276507	Rotary Take-up Guard Cover	82	276450	Rotary Take-up Mounting Disc Position Pin
2	276038	Rotary Take-up Guard Cover Grill	83	272206	Needle Bar Connecting Link Hinge Stud
3	230743	Rotary Take-up Guard Cover Hinge Screw Thrust Washer	84	270266	Needle Bar Connecting Link Needle Bearing
4	67425	Rotary Take-up Guard Cover Hinge Screw Spring Washer	85	276018	Needle Bar Connecting Link
5	200263	Rotary Take-up Guard Cover Hinge Screw	86	276019	Needle Bar Connecting Link 276018 with 270266
6	200904	Thread Cutter (on Rotary Take-up Guard) Screw	87	270057	Needle Bar Connecting Stud
7	272224	Thread Cutter (on Rotary Take-up Guard)	88	202277	Needle Bar Connecting Stud Oil Packing Wick
8	141569	Rotary Take-up Guard Screw (long)	89	350622	Needle Bar Connecting Stud Pinch Screw
9	141570	Rotary Take-up Guard Screw (short)	90	270656	Needle Bar with 350622
10	276506	Rotary Take-up Guard	91	270261	Needle Bar Bushing (upper)
11	350503	Rotary Take-up Guard Cover Spring Catch Screw	92	350550	Needle Bar Bushing (upper) Set Screw
12	276508	Rotary Take-up Guard Cover Spring Catch	93	270124	Needle Bar Bushing (lower)
13	201537	Rotary Take-up Guard Cover Spring Catch Screw Nut	94	276464	Thread Guide (on Needle Bar Bushing)
14	200161	Rotary Take-up Guard Cover Grill Screw	95	350621	Needle Set Screw
15	1560	Tension Thumb Nut	96	Cat. 1361	Needle, size 16 (88x9y)
16	272219	Tension Spring	97	200054	Needle Bar Connecting Link Guide Block Screw
17	272218	Tension Releasing Disc	98	270055	Needle Bar Connecting Link Guide Block
18	202079	Tension Wheel Washer (felt)	99	276048	Tension Releaser (adjustable)
19	272221	Tension Wheel (Rotary)	100	200132	Tension Releaser Screw
20	50304	Tension Stud	101	276027	Presser Bar Lifter
21	272220	Tension Washer	102	350442	Presser Bar Lifter Hinge Screw
22	276225	Tension Stud with Washer	103	200272	Knee Lifter Rock Frame Hinge Screw (front)
23	272225	Thread Take-up Spring	104	200374	Needle Bar Connecting Link Hinge Stud Set Screw
24	52083	Thread Take-up Spring Regulator	105	276023	Needle Bar Crank with two 200374
25	50305	Tension Stud Set Screw	106	270305	Needle Bar Connecting Link Thrust Washer
26	270086	Tension Releasing Pin	107	276014	Knee Lifter Lifting Link
27	272222	Tension (Rotary) complete	108	200293	Knee Lifter Lifting Link Hinge Screw
28	453	Thread Take-up Regulator Set Screw	109	276053	Needle Bar Connecting Link Hinge Stud Oiling Felt Oil Leader Tube
29	106516	Bed Slide complete	110	276017	Knee Lifter Rock Frame
30	5947	Bed Slide Spring	111	272145	Needle Bar Connecting Link Hinge Stud Oiling Felt Flange
31	226	Bed Slide Spring Screw	112	272143	Arm Shaft Ball Bearing (front)
32	270646	Throat Plate	113	270625	Knife (upper) Driving Eccentric
33	691	Throat Plate Screw	114	200346	Knife (upper) Driving Eccentric Set Screw
34	270618	Knife (lower) Bracket Clamp Plate	115	268063	Knife (upper) Driving Eccentric Needle Bearing (upper)
35	691	Knife (lower) Bracket Clamp Plate Screw	116	270620	Knife (upper) Driving Connection
36	219	Bed Cover Plate Screw	117	270653	Knife (upper) Driving Connection Needle Bearing (lower)
37	270606	Bed Cover Plate (front)	118	270621	Knife (upper) Driving Connection 270620 with 268063 and 270653
38	200040	Knife (lower) Bracket Screw	119	270626	Knife (upper) Driving Eccentric Cap Washer
39	201520	Knife (lower) Bracket Screw Nut	120	276458	Knife (upper) Driving Connection Crank
40	270616	Knife (lower)	121	270623	Knife (upper) Driving Connection Crank Hinge Stud
41	51460	Knife (lower) Bracket Pinch Screw	122	202574	Knife (upper) Driving Connection Crank Hinge Stud Collar
42	106517	Knife (lower) Bracket	123	200380	Knife (upper) Driving Connection Crank Hinge Stud Collar Set Screw
43	106518	Knife (lower) Bracket Holder Assembly	124	200347	Knife (upper) Driving Connection Crank Hinge Stud Set Screw
44	270605	Bed Cover Plate (back)	125	270630	Knife (upper) Driving Link (upper half) Hinge Stud
45	160	Rotating Hook Bobbin Case Holder Position Bracket Screw	126	200190	Knife (upper) Driving Connection Crank Pinch Screw
46	276561	Rotating Hook Bobbin Case Holder Position Bracket	127	268258	Knife (upper) Holder Bracket Stud Oil Packing Wick
47	125320	Rotating Hook Bobbin Case Latch Lever	128	276462	Knife (upper) Holder Bracket Stud
48	2974	Rotating Hook Bobbin Case Latch Lever Fulcrum Pin	129	430	Knife (upper) Holder Bracket Stud Binding Screw
49	40392	Rotating Hook Bobbin Case Latch	130	270629	Knife (upper) Driving Link (upper half)
50	40393	Rotating Hook Bobbin Case Hinge complete	131	203213	Knife (upper) Driving Link (upper half) Locking Plunger Spring
51	592	Rotating Hook Bobbin Case Latch Stop Screw	132	270631	Knife (upper) Driving Link (upper half) Locking Plunger
52	591	Rotating Hook Bobbin Case Tension Spring Regulating Screw	133	270632	Knife (upper) Driving Link Hinge Pin
53	1380	Rotating Hook Bobbin Case Tension Spring Screw	134	200136	Knife (upper) Driving Link Hinge Pin Set Screw
54	40394	Rotating Hook Bobbin Case Tension Spring	135	270627	Knife (upper) Driving Link (lower half)
55	52235	Rotating Hook Bobbin Case	136	1735	Knife (upper) Holder Bracket Adjusting Screw Nut
56	2975	Rotating Hook Bobbin Case Latch Spring	137	152	Knife (upper) Holder Bracket Adjusting Screw
57	52237	Rotating Hook Bobbin Case complete	138	276559	Knife (upper) Holder Bracket
58	272152	Rotating Hook Bobbin	139	106520	Knife (upper) Holder Bracket 276559 with 152 and 1735
59	1367	Rotating Hook Section Screw	140	210	Knife (upper) Driving Link (lower half) Retaining Screw
60	270876	Rotating Hook Section	141	106519	Knife (upper) Holder
61	270872	Rotating Hook Bobbin Case Holder (chromium plated)	142	141610	Knife (upper) Holder Adjusting Screw
62	143301	Rotating Hook Oil Wick	143	223	Knife (upper) Screw
63	272136	Rotating Hook with Retaining Washer and Set Screw	144	2291	Knife (upper) Screw Washer
64	1253	Rotating Hook Set Screw	145	270619	Knife (upper)
65	270878	Rotating Hook Oil Retaining Washer	146	106521	Knife (upper) Holder Assembly
66	1053	Rotating Hook Thread Guard Screw	147	704	Knife (upper) Holder Screw
67	270874	Rotating Hook Thread Guard	148	202101	Knife (upper) Holder Screw Washer
68	272137	Rotating Hook 272136 with 270874 and four 1053	149	270879	Rotating Hook Oil Guard
69	276232	Rotating Hook 272137 with 270872, 270876 and three 1367	150	350498	Rotating Hook Shaft Regulating Screw
70	276233	Rotating Hook with 52237	151	270880	Rotating Hook Shaft Bushing Oil Packing (wick)
71	200577	Rotary Take-up Screw	152	272228	Rotating Hook Shaft Bushing
72	276560	Rotary Take-up	153	270044	Rotating Hook Shaft Thrust Washer
73	272217	Rotary Take-up Mounting Disc	154	276061	Rotating Hook Shaft Oil Filter (wick) Holder
74	276503	Face Plate Thread Guard			
75	141568	Face Plate Thread Guard Screw			
76	276447	Tension Rotary Threading Guide			
77	276051	Thread Guide			
78	276442	Face Plate			
78A	350505	Face Plate Screw			
79	272223	Thread Cutter (on Face Plate)			
80	272216	Rotary Take-up Guard Thread Shield			
81	200583	Thread Cutter (on Face Plate) Screw			

FEED DRIVING CONNECTION  
 SECTION

Code No.	Part No.	Description.	Code No.	Part No.	Description.
155	202423	Rotating Hook Shaft Oil Filter (wick)	234	276171	Feed Driving Connection Link Hinge Pin
156	276062	Rotating Hook Shaft Oil Filter complete	235	276046	Rotating Hook Driving Shaft Bushing Oil Packing (wick)
157	276059	Rotating Hook Shaft	236	276045	Rotating Hook Driving Shaft Bushing
158	201215	Rotating Hook Shaft End Bearing Screw	237	200346	Rotating Hook Driving Shaft Bushing Set Screw
159	270164	Rotating Hook Shaft End Bearing	238	272109	Feed Bar Lifting Crank
160	272229	Rotating Hook Shaft Bushing complete	239	200040	Feed Bar Lifting Crank Pinch Screw
161	200346	Rotating Hook Shaft Bushing Set Screw	240	270942	Feed Lifting Rock Shaft Insert (nylon)
162	276025	Presser Bar Ball 7/32" diam.	241	270941	Feed Lifting Rock Shaft Centre
163	272122	Presser Bar Position Guide	242	201254	Feed Lifting Rock Shaft Centre Set Screw
164	350411	Presser Bar Position Guide Pinch Screw	243	272118	Feed Lifting Rock Shaft
165	276057	Thread Pull-off	244	276491	Rotating Hook Oil Reservoir Cover Gasket
166	200145	Thread Pull-off Screw	245	276246	Rotating Hook Oil Reservoir Cover
167	272121	Presser Bar	246	272154	Rotating Hook Oil Reservoir Cover Washer (fibre)
168	276446	Presser Bar Bushing	247	200041	Rotating Hook Oil Reservoir Cover Screw
169	276028	Presser Bar Lifting Releasing Lever Bracket	248	276245	Rotating Hook Oil Reservoir Drain Plug Gasket
170	176	Presser Foot Screw	249	276244	Rotating Hook Oil Reservoir Drain Plug
171	270058	Needle Bar Oiling Felt	250	200053	Arm Cover (back) Screw
172	106522	Presser Foot (hinged)	251	276002	Arm Cover (back)
173	210958	Pre-Tension Stud Collar	252	276157	Feed Reversing Lever
174	272209	Pre-Tension Stud	253	350477	Feed Reversing Lever Hinge Pin Set Screw
175	210993	Pre-Tension Sleeve	254	276159	Feed Reversing Lever Hinge Pin
176	272208	Pre-Tension Spring	255	201520	Feed Reversing Lever Connection Hinge Screw (upper) Nut
177	200397	Pre-Tension Collar Set Screw	256	350509	Feed Reversing Lever Connection Hinge Screw (upper)
178	272207	Pre-Tension Bracket	257	200575	Feed Reversing Lever Handle Screw
179	272210	Pre-Tension complete	258	201529	Feed Reversing Lever Handle Nut
180	350552	Pre-Tension Bracket Screw	259	276160	Feed Reversing Lever Handle
181	276452	Arm Shaft	260	276158	Feed Reversing Lever Connection
182	350435	Presser Bar Spring Screw (Pressure Regulating)	261	201107	Feed Reversing Lever Connection Hinge Screw (lower)
183	272123	Presser Bar Spring	262	276465	Feed Reversing Shaft
184	350499	Presser Bar Spring Screw Stud	263	276162	Feed Reversing Shaft Bushing (back)
185	276459	Knife (upper) Driving Connection Crank Oil Guard	264	276456	Feed Reversing Shaft Spring
186	201048	Knife (upper) Driving Connection Crank Oil Guard Thumb Screw	265	276457	Feed Reversing Shaft Spring Adjusting Collar
187	270155	Rotating Hook Oil Reservoir Oil Gauge	266	200092	Feed Reversing Shaft Spring Adjusting Collar Set Screw
188	270140	Feed Regulating Stud	267	276179	Feed Reversing Shaft Bushing (front)
189	270026	Feed Regulating Stud Spring	268	350569	Feed Reversing Lever Stop Pin
190	240245	Feed Regulating Stud Retaining Spring	269	201524	Feed Reversing Lever Stop Pin Nut
191	270637	Knife (upper) Holder Bracket Latch	270	276163	Feed Reversing Shaft Crank
192	200130	Knife (upper) Holder Bracket Latch Screw	271	200382	Feed Reversing Shaft Bushing Set Screw
193	272107	Feed Bar Hinge Pin	272	200040	Feed Reversing Shaft Crank Pinch Screw
194	272108	Feed Bar Hinge Pin Washer	273	200386	Feed Reversing Shaft Hinge Stud Set Screw
195	272112	Feed Bar Hinge Pin Lubricating Felt	274	276164	Feed Reversing Shaft Crank Hinge Stud
196	200394	Feed Bar Hinge Pin Set Screw	275	276046	Feed Reversing Shaft Crank Hinge Stud Oil Packing (wick)
197	208	Feed Dog Screw	276	270036	Rotating Hook Driving Shaft Oil Lead Wire
198	149126	Feed Dog	277	276044	Rotating Hook Driving Shaft
199	272106	Feed Bar	278	270016	Feed Driving Connection Needle Bearing
200	272110	Feed Bar Lifting Link	279	276153	Feed Driving Connection
201	200169	Feed Bar Lifting Link Cap Screw	280	276154	Feed Driving Connection 276153 with 270016
202	272111	Feed Bar Lifting Link Oil Wick Clamp	281	270016	Feed Lifting Connection Needle Bearing
203	272115	Feed Bar Lifting Link Oil Wick	282	270013	Feed Lifting Connection
204	270942	Feed Driving Rock Shaft Insert (nylon)	283	270014	Feed Lifting Connection 270013 with 270016
205	270941	Feed Driving Rock Shaft Centre	284	201220	Feed Lifting Eccentric Position Screw
206	201254	Feed Driving Rock Shaft Centre Set Screw	285	200382	Feed Lifting Eccentric Set Screw
207	200679	Knee Lifter Rock Frame Hinge Screw (back)	286	276231	Feed Lifting Eccentric
208	271127	Arm Shaft Connection Belt Pulley	287	272144	Rotating Hook Driving Shaft Ball Bearing
209	350492	Arm Shaft Connection Belt Pulley Position Screw	288	214206	Rotating Hook Driving Shaft Connection Belt Pulley Spring Flange
210	200363	Arm Shaft Connection Belt Pulley Set Screw	289	200070	Rotating Hook Driving Shaft Connection Belt Pulley Set Screw
211	214208	Arm Shaft Connection Belt Pulley Spring Flange	290	270169	Rotating Hook Driving Shaft Connection Belt Pulley
212	202302	Knee Lifter Lifting Rod Cotter Pin	291	200545	Feed Lifting Connection Hinge Screw
213	276015	Knee Lifter Lifting Rod	292	201522	Feed Lifting Connection Hinge Screw Nut
214	276016	Knee Lifter Lifting Rod Spring	293	270017	Feed Driving Eccentric
215	227227	Knee Lifter Lifting Rod Spring Collar	294	240231	Feed Driving Eccentric Friction Gib
216	200113	Knee Lifter Lifting Rod Spring Collar Set Screw	295	350578	Feed Driving Eccentric Friction Gib Adjusting Screw
217	272116	Feed Driving Rock Shaft	296	350562	Feed Driving Eccentric Friction Gib Adjusting Screw Set Screw
218	276230	Feed Driving Connection Crank	297	200333	Feed Driving Flange Position Screw
219	200040	Feed Driving Connection Crank Pinch Screw	298	200436	Feed Driving Flange Set Screw
220	201531	Feed Driving Connection Crank Hinge Screw Nut	299	276180	Feed Driving Flange
221	276182	Feed Reversing Mechanism Support Stud	300	276188	Feed Driving Eccentric Adjusting Disc
222	276181	Feed Mechanism Support Stud	301	270137	Feed Driving Eccentric Adjusting Disc Spring
223	200346	Feed Mechanism Support Stud Set Screw	302	201220	Feed Driving Eccentric Adjusting Disc Spring Collar Set Screw
224	201220	Rotating Hook Driving Shaft Gear Position Screw	276009	276009	Feed Driving Eccentric Adjusting Disc Spring Collar
225	200382	Rotating Hook Driving Shaft Gear Set Screw	272142	272142	Arm Shaft Ball Bearing (back)
226	276047	Rotating Hook Driving Shaft Gear	276444	276444	Machine Pulley
227	270653	Knife (upper) Driving Connection Needle Bearing (lower)	141566	141566	Machine Pulley Position Screw
228	276169	Feed Driving Connection Link	141567	141567	Machine Pulley Set Screw
229	276170	Feed Driving Connection Link 276169 with 270655	276445	276445	Machine Pulley complete
230	350507	Feed Driving Connection Crank Hinge Screw	270926	270926	Arm Shaft Connection Belt Wick
231	200394	Feed Driving Connection Link Hinge Pin Set Screw			
232	276165	Feed Reversing Shaft Crank Link			
233	244071	Feed Driving Connection Link Hinge Pin Oil Packing Wick			